

IC-F6061/F6061D/F6062/F6062D/F6063

CONTENTS

REPLACEMENT PAGES	6-1 and 6-2
PARTS LIST	1
VOLTAGE DIAGRAM	25

[VERSION LIST]

MODEL	VERSION	FREQUENCY RANGE	DESCRIPTION	TX POWER
IC-F6061	USA-01	400-470 MHz (Low band)	-	45 W
	USA-02	450-512 MHz (High band)		
	USA-03	400-470 MHz (Low band)	MDC compatible	
	USA-04	450-512 MHz (High band)		
	USA-55	400-470 MHz		
	USA-56	(Low band)		
IC-F6061D	USA-01	400-470 MHz (Low band)	MDC compatible & UT-126H installed	
	USA-02	450-512 MHz (High band)		
	CHN-01	400-470 MHz (Low band)		
	EXP-05	350-400 MHz (350 MHz)		
IC-F6062	EUR-01	400-470 MHz (Low band)	-	25 W
	EUR-03	400-470 MHz (Low band)	MDC compatible	
IC-F6062D	EUR-03	400-470 MHz	UT-126H installed	
	DPM-01	(Low band)		
IC-F6063	EXP-01	400-470 MHz (Low band)	-	25 W
	EXP-02	450-520 MHz (High band)		
	EXP-03	400-470 MHz (Low band)	MDC compatible	
	EXP-04	450-520 MHz (High band)		

SECTION 6 ADJUSTMENT PROCEDURES

6-1 PREPARATION

■ REQUIRED TEST EQUIPMENTS

EQUIPMENT	GRADE AND RANGE
Adjustment software (Rev. 1.1 or later)	CS-F5060 ADJ: (For [USA-01]*, [USA-02]*, [EXP-01], [EXP-02], [EUR-01]) CS-F3160/5060 ADJ: (For [USA-01]**, [USA-02]**, [USA-03], [USA-04], [EXP-03], [EXP-04], [EXP-05], [EUR-03], [CHN-01]) CS-F3160/5060 ADJ (dPMR): (For [DPM-01])
DC power supply	Output voltage : 13.6 V DC [USA], [EXP], [CHN] 13.2 V DC [EUR], [DPM] Current capacity : More than 20 A
modulation analyzer	Frequency range : DC–600 MHz Measuring range : 0 to ±10 kHz
Frequency counter	Frequency range : 0.1–600 MHz Frequency accuracy : ±1 ppm or better Sensitivity : 100 mV or better
Digital voltmeter	Input impedance : 50 kΩ Measuring range : 0.1–10V
RF power meter	Measuring range : 0.1–50 W [USA], [CHN] 0.1–30 W [EUR], [EXP], [DPM] Frequency range : 100–800 MHz Impedance : 50 Ω SWR : Better than 1.2 : 1
Attenuator	Power attenuation : 50 or 60 dB Capacity : 50 W [USA], [CHN] 30 W [EUR], [EXP], [DPM]
External speaker	Input impedance : 4 Ω Capacity : 5 W or more
Standard signal generator (SSG)	Frequency range : 0.1–600 MHz Output level : 0.1 μV to 32 mV (–127 to –17 dBm)
Oscilloscope	Frequency range : DC–20 MHz Measuring range : 0.01–20 V

*: [USA-01]/[USA-02] of IC-F6061 **: [USA-01]/[USA-02] of IC-F6061D

■ SYSTEM REQUIREMENTS (for the ADJUSTMENT SOFTWARE)

- Microsoft® Windows® 98/98SE/Me/2000/XP
- RS-232C serial port (D-sub 9 pin) or USB port

■ ADJUSTMENT SOFTWARE INSTALLATION

- ① Quit all applications when Windows is running.
- ② Insert the CD into the appropriate CD drive.
- ③ Double-click the “Setup.exe” contained in the ‘CS-F5060 ADJ’ folder in the CD drive.
- ④ The “Welcome to the InstallShield Wizard for CS-F5060 ADJ” will appear. Click [Next>].
- ⑤ The “Choose Destination Location” will appear. Then click [Next>] to install the software to the destination folder. (e.g. C:\Program Files\icom\CS-F5060 ADJ)
- ⑥ After the installation is completed, the “InstallShield Wizard Complete” will appear. Then click [Finish].
- ⑦ Eject the CD.
- ⑧ Program group ‘CS-F5060 ADJ’ appears in the ‘Programs’ folder of the start menu, and ‘CS-F5060 ADJ’ icon appears on the desk top screen.

■ STARTING SOFTWARE ADJUSTMENT

- ① Connect the transceiver and PC with OPC-1122/U JIG CABLE.
- ② Turn the transceiver power ON.
- ③ Boot up Windows, and click the program group ‘CS-F5060 ADJ’ in the ‘Programs’ folder of the [Start] menu, then CS-F5060 ADJ’s window appears.
- ④ Click ‘Connect’ on the CS-F5060 ADJ’s window, then the window shows transceiver’s condition and adjustment items as below.
- ⑤ Set or modify adjustment data as specified.

Microsoft and Windows are registered trademarks of Microsoft Corporation in the U.S.A. and other countries.

■ BEFORE STARTING SOFTWARE ADJUSTMENT

Clone the adjustment frequencies and settings into the transceiver, and set the configuration using the CS-F6060 CLONING SOFTWARE before starting the software adjustment. Otherwise, the software adjustment can not be started.

CAUTION!: **BACK UP** the originally programmed memory data in the transceiver before programming the adjustment frequencies. When program the adjustment frequencies into the transceiver, the transceiver’s memory data will be overwritten and lose original memory data at the same time.

• ADJUSTMENT FREQUENCY LIST


CH	FREQUENCY (MHz)			SETTING	CH	FREQUENCY (MHz)			SETTING
	(350 MHz) [†]	(Low) [‡]	(High) [‡]			(350 MHz) [‡]	(Low) [‡]	(High) [‡]	
1	350.000	400.000	450.000	• TX power : Low1 • Mode : Narrow	9	400.000	470.000	520.000	• TX power : Low1 • Mode : Wide
2	375.000	435.000	485.000	• TX power : Low1 • Mode : Narrow	10*	375.000	435.000	485.000	• TX power : Low1 • Mode : Middle
3	374.950	434.950	484.950	• TX power : Low1 • Mode : Narrow	11*	350.000	400.000	450.000	• TX power : Low1 • Mode : Middle
4	400.000	470.000	520.000	• TX power : Low1 • Mode : Narrow	12*	400.000	470.000	520.000	• TX power : Low1 • Mode : Middle
5	375.000	435.000	485.000	• TX power : High • Mode : Narrow	13	375.000	435.000	485.000	• TX power : Low1 • Mode : Digital
6	375.000	435.000	485.000	• TX power : Low2 • Mode : Narrow	14	350.000	400.000	450.000	• TX power : Low1 • Mode : Digital
7	375.000	435.000	485.000	• TX power : Low1 • Mode : Wide	15	400.000	470.000	520.000	• TX power : Low1 • Mode : Digital
8	350.000	400.000	450.000	• TX power : Low1 • Mode : Wide	16	375.000	435.000	485.000	• TX power : Low1 • Mode : Wide • CTCSS : 151.4 Hz


*; [EUR] and [DPM] only.


†; (350 MHz)=[EXP-05]

‡; (Low)=[USA-01], [USA-03], [USA-55], [USA-56], [EXP-01], [EXP-03], [EUR-01], [EUR-03], [DPM-01] (High)=[USA-02], [USA-04], [EXP-02], [EXP04]

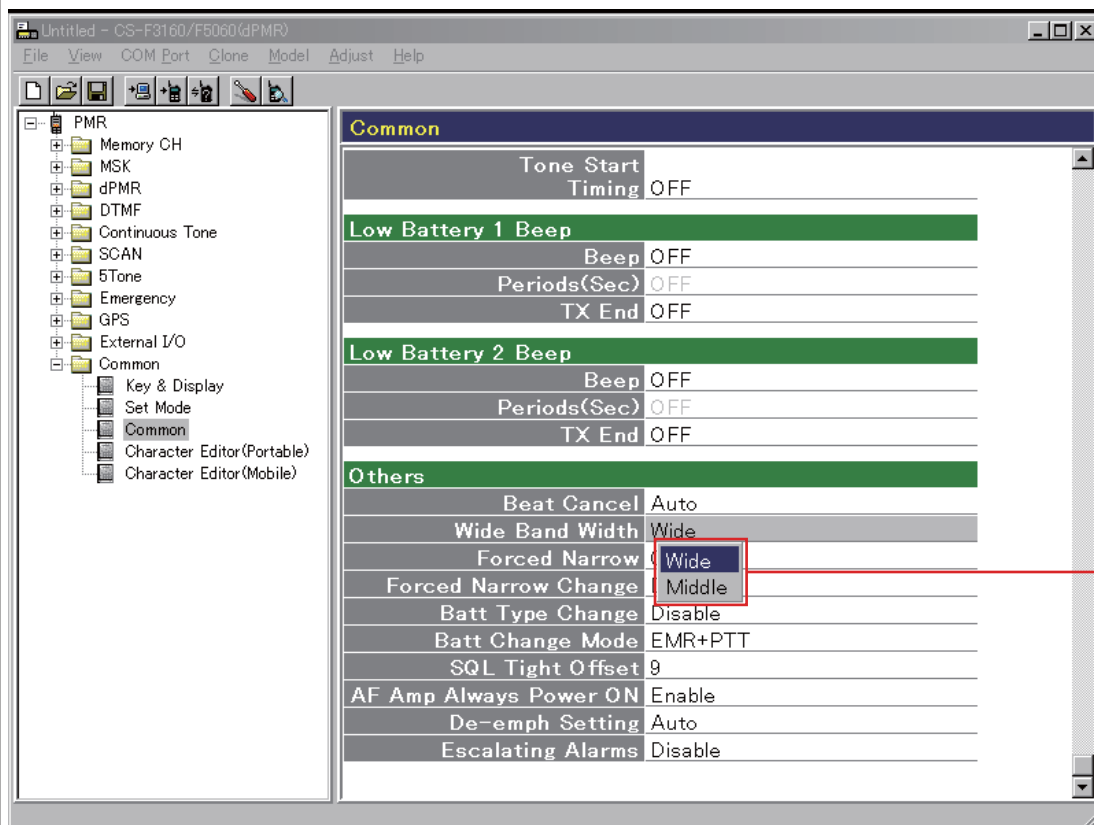
CONVENIENT: The same cloning file is available.
Right-click  below, and select "Save Embedded File to Disk."

• For [Low] version: 

• For [High] version: 

• For [350 MHz] version: 

NOTE: FOR IC-F6062 and IC-F6062D, when adjust "Deviation," "Modulation Balance," "RX SENSITIVITY" and "S-meter" in the middle band, change the bandwidth to "Middle" as below.



PARTS LIST

[VERSION LIST]

MODEL	VERSION	SYMBOL
IC-F6061	USA-01	[A]
	USA-02	[B]
	USA-03	[C]
	USA-04	[D]
	USA-55	[E]
	USA-56	[F]
IC-F6061D	USA-01	[G]
	USA-02	[H]
	CHN-01	[I]
	EXP-05	[Q]
IC-F6062	EUR-01	[J]
	EUR-03	[K]
IC-F6062D	EUR-03	[L]
	DPM-01	[R]
IC-F6063	EXP-01	[M]
	EXP-02	[N]
	EXP-03	[O]
	EXP-04	[P]

[MAIN UNIT] (For IC-F6060 series)

REF NO.	PARTS NO.	DESCRIPTION	M.	H/V LOCATION
IC1	1110005340	S.IC NJM12902V-TE1-#ZZZB	T	82.3/12.9
IC2	1110006221	S.IC AK2346P-E2/P	B	44.7/11.7
IC3	1140013200	S.IC CD4053BPWR	B	58.7/9.3
IC4	1130010100	S.IC LMX2352TMX/NOPB	T	83.3/46
IC5	1110003491	S.IC TA31136FNG(D,EL)	T	28/13.9
IC6	1190001350	S.IC M62364FP 600D	B	84.9/12.9
IC7	1110005340	S.IC NJM12902V-TE1-#ZZZB	T	107.3/43
IC8	1140013200	S.IC CD4053BPWR	B	58.7/16.1
IC9	1130012960	S.IC BU8872FS-E2	B	133.1/21.3
IC10	1190002051	S.IC SPM5001-TL-E	B	33.8/36.9
IC12	1190001340	S.IC M62334FP 600C	B	9.1/25.7
IC13	1110005771	S.IC S-80942CNMC-G9CT2G	B	126/44.8
IC14	1140014550	S.IC HD64F2506RFC26DV(EMPTY)	B	111.8/35.7
IC15	1150002211	IC RA55H4047M-121	[A]	
	1150002092	IC RA30H4047M-121	[M]	
	1150002092	IC RA30H4047M-121	[J]	
	1150002221	IC RA55H4452M-121	[B]	
	1150002032	IC RA30H4452M-121	[N]	
IC16	1140012950	S.IC 24LC512T-ISM <SEI>	B	133.3/29
IC17	1110002751	S.IC TA75S01F(TE85R,F)	B	55.8/66.7
IC18	1180000970	S.IC AN78L05M-(E1)	B	113/65.3
IC19	1120002510	S.IC DS14C232TM S	T	104.7/69
IC20	1180001252	S.IC TA7808F(TE16L1,NQ)	B	121.5/65.8
IC21	1110003091	IC LA4425A-E		
IC22	1110002751	S.IC TA75S01F(TE85R,F)	B	135.5/54.4
IC23	1130006221	S.IC TC4W53FU(TE12L,F)	B	109.6/12.9
Q1	1590003231	S.TRA UNR9113G0L	B	16.5/6.1
Q3	1530002851	S.TRA 2SC4116-BL(TE85R,F)	B	36.5/15.5
Q4	1590001650	S.TRA XP4601(TX)	B	92.8/12.4
Q5	1560000541	S.FET 2SK880-Y(T5RICOM,F)	B	81.3/41
Q6	1530002851	S.TRA 2SC4116-BL(TE85R,F)	B	50.6/28.4
Q7	1560000541	S.FET 2SK880-Y(T5RICOM,F)	B	82.4/30.6
Q8	1530002851	S.TRA 2SC4116-BL(TE85R,F)	B	79.3/37.8
Q9	1530002851	S.TRA 2SC4116-BL(TE85R,F)	B	82.1/35.4
Q10	1560001360	S.FET 2SK3019 TL	B	76.5/45.2
Q12	1530002601	S.TRA 2SC4215-O(TE85R,F)	T	26.8/19.2
Q13	1530002851	S.TRA 2SC4116-BL(TE85R,F)	B	31.8/9.9
Q16	1590003291	S.TRA UNR9213G0L	T	113.1/46.6
Q17	1530002920	S.TRA 2SC4226-T1 R25	T	60.7/41.9
Q18	1530002920	S.TRA 2SC4226-T1 R25	T	60.7/35.4
Q19	1530002920	S.TRA 2SC4226-T1 R25	T	60.7/28.9
Q20	1590003231	S.TRA UNR9113G0L	B	34.1/24.9
Q22	1530003311	S.TRA 2SC5107-O(TE85R,F)	T	56.7/33.6
Q23	1590001400	S.TRA XP1214(TX)	B	57.6/40.5
Q24	1590003291	S.TRA UNR9213G0L	B	55/40.5
Q25	1530004110	S.TRA MT3S37T(TE85L,F)	T	55.2/36.9
Q26	1590001400	S.TRA XP1214(TX)	B	56.6/33.5
Q27	1590003231	S.TRA UNR9113G0L	T	126.2/48.7
Q28	1590003291	S.TRA UNR9213G0L	B	123/46.1
Q29	1530003311	S.TRA 2SC5107-O(TE85R,F)	T	50.8/35.5
Q30	1530003311	S.TRA 2SC5107-O(TE85R,F)	B	64.3/62.9
Q31	1580000731	S.FET 3SK293(TE85L,F)	B	9.5/38.8
Q32	1560000841	S.FET 2SK1829(TE85R,F)	T	9.8/40.4
Q33	1530002851	S.TRA 2SC4116-BL(TE85R,F)	[A]	
	1530002851	S.TRA 2SC4116-BL(TE85R,F)	[B]	
Q34	1590003291	S.TRA UNR9213G0L	T	83/67.4
Q35	1520000460	S.TRA 2SB1132 T100 R	T	100.1/57.9
Q36	1590001190	S.TRA XP6501-(TX).AB	T	104.3/55.8
Q37	1540000550	S.TRA 2SD1664 T100Q	T	75.5/63.6
Q38	1510000920	S.TRA 2SA1577 T106 Q	T	64.9/54.1
Q39	1590003291	S.TRA UNR9213G0L	T	68.5/54.8
Q40	1590003291	S.TRA UNR9213G0L	T	103/52.9
Q41	1590001451	S.FET 2SJ144-GR (TE85R,F)	B	114.7/85.7
Q42	1590003291	S.TRA UNR9213G0L	B	131.7/43.6
Q43	1590000990	S.TRA DTC363EK T146	B	135.7/49
Q44	1590003291	S.TRA UNR9213G0L	T	108.9/20.3
Q45	1590003291	S.TRA UNR9213G0L	B	133.3/58.9
Q46	1590003291	S.TRA UNR9213G0L	T	119.2/85.6
Q47	1550000100	S.FET 2SJ377 (TE16L1,NQ)	B	131.3/71.5
Q48	1590003291	S.TRA UNR9213G0L	B	124.9/77.8
Q49	1530002851	S.TRA 2SC4116-BL(TE85R,F)	B	138.7/37.1
Q50	1530002601	S.TRA 2SC4215-O(TE85R,F)	T	40.2/39
Q51	1590003321	S.FET TPC6103(TE85L,F)	B	133.6/63.4
Q52	1590003291	S.TRA UNR9213G0L	B	128.2/61.1
Q53	1530000372	S.TRA 2SC3356-T1B R (R24)	B	68.4/68
Q54	1590003291	S.TRA UNR9213G0L	B	51.9/67.1
Q55	1560001360	S.FET 2SK3019 TL	T	74.1/20.3
Q56	1560001360	S.FET 2SK3019 TL	T	24.6/8
Q57	1590003291	S.TRA UNR9213G0L	T	111.1/13.4
D1	1750001070	S.DIO DAN235ETL	T	8.8/14.9
D2	1750001070	S.DIO DAN235ETL	T	22.5/8.5
D4	1790001261	S.DIO MA2S077G0L	T	52.5/43.6
D5	1790001261	S.DIO MA2S077G0L	T	52.5/41
D6	1750001070	S.DIO DAN235ETL	T	29.2/20.9
D7	1160000140	S.DIO DAP222 TL	T	59/13.8
D8	1750000711	S.VAR HVC350BTRF-E	T	68.2/42.7
D9	1750001150	S.VAR HVC383BTRF-E	T	70.5/44.7
D10	1750000711	S.VAR HVC350BTRF-E	T	68.2/36.2
D11	1750001150	S.VAR HVC383BTRF-E	T	70.5/38.2
D12	1750000711	S.VAR HVC350BTRF-E	T	68.2/29.7
D13	1750001150	S.VAR HVC383BTRF-E	T	70.5/31.7
D14	1720000570	S.VAR MA368(TX)	T	65.8/33.3
D15	1750000711	S.VAR HVC350BTRF-E	B	5.5/43.5
D16	1750000711	S.VAR HVC350BTRF-E	B	6.8/43.5

M.=Mounted side (T: Mounted on the Top side, B: Mounted on the Bottom side)
S.=Surface mount

[MAIN UNIT] (For IC-F6060 series)

REF NO.	PARTS NO.	DESCRIPTION	M.	H/V LOCATION
D17	1750000711	S.VAR HVC350BTRF-E	B	6.8/50.1
D18	1750000711	S.VAR HVC350BTRF-E	B	5.5/50.1
D19	1160000140	S.DIO DAP222 TL	B	120.3/17.6
D21	1750001070	S.DIO DAN235ETL	T	31.9/37.5
D22	1750000520	S.DIO DAN222TL	T	125.4/51
D23	1790001261	S.DIO MA25077G0L	T	125/38.9
D24	1750000581	S.DIO 1SV307(TPH3,F)	B	50.8/47.1
D25	1790001261	S.DIO MA25077G0L	B	48.3/46
D26	1750000711	S.VAR HVC350BTRF-E	B	14.1/36.1
D27	1750000711	S.VAR HVC350BTRF-E	B	10.7/36.1
D30	1750000711	S.VAR HVC350BTRF-E	B	18.3/36.2
D31	1790001251	S.DIO MA251110GL	T	6.2/42.2
D35	1790001261	S.DIO MA25077G0L	B	20/50.9
D36	1790001241	S.DIO MA257280GL	B	11.9/50.8
D37	1750000370	S.DIO DA221 TL	T	75.2/68
D38	1750000511	S.DIO UX9401F-STD/TR <INT>	[M] T	31.2/66.7
	1750000511	S.DIO UX9401F-STD/TR <INT>	[J]	
	1750000511	S.DIO UX9401F-STD/TR <INT>	[N]	
D39	1710001061	DIO L407CDB	[A]	
	1710001061	DIO L407CDB	[B]	
D42	1750001360	S.DIO L709CER (9401)	T	26.5/58
D45	1750000520	S.DIO DAN222TL	T	91.8/57.5
D46	1750000520	S.DIO DAN222TL	T	89.6/57.5
D47	1790001211	S.DIO 1SS375-TL-E	B	37.7/61.7
D48	1750000520	S.DIO DAN222TL	B	95.5/55.5
D49	1790000661	S.DIO MA2J7280GL	B	8.9/57.1
D50	1750000370	S.DIO DA221 TL	B	98.8/66.5
D51	1790000661	S.DIO MA2J7280GL	B	5.2/79.3
D52	1750000520	S.DIO DAN222TL	B	132.6/40.8
D53	1790001251	S.DIO MA251110GL	B	133.3/47.3
D55	1750000370	S.DIO DA221 TL	B	98.8/63
D56	1750000370	S.DIO DA221 TL	B	96.7/63
D57	1750000370	S.DIO DA221 TL	B	96.7/66.5
D58	1750000520	S.DIO DAN222TL	B	101.2/83.1
D59	1750000520	S.DIO DAN222TL	B	101.2/81
D62	1790000700	DIO DSA3A1	B	
D63	1750000520	S.DIO DAN222TL	B	112.3/82.2
D65	1750000520	S.DIO DAN222TL	B	129.7/58.9
D66	1790001621	S.DIO 1SV308(TPL3,F)	T	29.5/36.7
D67	1790001621	S.DIO 1SV308(TPL3,F)	T	34.3/36.7
D68	1790001621	S.DIO 1SV308(TPL3,F)	T	28.7/23.3
D69	1790001621	S.DIO 1SV308(TPL3,F)	T	30/23.3
D70	1730002411	S.ZEN MAZ8200GHL	T	120/83.6
D71	1750000520	S.DIO DAN222TL	B	94.6/62.3
D72	1750000520	S.DIO DAN222TL	B	94.8/59.1
F11	2020002500	CER LT450GW <JJE>		
F12	2020002510	CER LTW450HT <JJE>		
F13	2030000500	S.MON DSF753SBF 46.35 MHz (FL-401)	T	24.7/28.5
F14	2030000150	S.MON DSF753SB 46.350 MHz (FL-335)	T	35.6/28.4
F15	2040001440	S.LC NFE31PT152Z1E9L (NFM60R20T152)	B	94.5/77
F16	2040001440	S.LC NFE31PT152Z1E9L (NFM60R20T152)	B	94.5/73.7
F17	2040001440	S.LC NFE31PT152Z1E9L (NFM60R20T152)	[A] B	94.5/70.4
	2040001440	S.LC NFE31PT152Z1E9L (NFM60R20T152)	[B]	
X1	6050012380	S.XTA CR-826 DSA535SD 15.3 MHz	T	86.1/34.6
X2	6050011730	S.XTA CR-765 SMD-49TA 3.6864 MHz <KDS>	T	48.6/12
X3	6070000300	S.DIS JTBM450CX24 <JJE>	T	37.1/10.3
X4	6050012320	S.XTA CR-818 SMD-49 A.194304 MHz <KDS>	T	139.1/21.9
X5	6050011720	S.XTA CR-764 SMD-49TB 19.6608 MHz <KDS>	T	120.4/44.4
L1	6200004660	S.COI MLF1608A 1R8K-T	B	80.7/52.1
L2	6200003540	S.COI MLF1608D R22K-T	B	34.4/14.7
L3	6200004480	S.COI MLF1608D R82K-T	B	29.6/16.2
L4	6200005671	S.COI ELJRE 12NGFA	T	54.4/43.9
L5	6200004741	S.COI NLV25T-1R2J	T	72.9/43.5
L6	6200004741	S.COI NLV25T-1R2J	T	70.4/41
L7	6200004741	S.COI NLV25T-1R2J	T	72.9/37
L8	6200004741	S.COI NLV25T-1R2J	T	72.9/30.5
L9	6200004741	S.COI NLV25T-1R2J	T	70.4/28
L10	6200012970	S.COI 0.30-0.91-4TR 8.6N <COMO>	[A] T	67.1/44.7
	6200012970	S.COI 0.30-0.91-4TR 8.6N <COMO>	[M]	
	6200012970	S.COI 0.30-0.91-4TR 8.6N <COMO>	[J]	
L12	6200012970	S.COI 0.30-0.91-4TR 8.6N <COMO>	[A] T	67.1/38.2
	6200012970	S.COI 0.30-0.91-4TR 8.6N <COMO>	[M]	
	6200012970	S.COI 0.30-0.91-4TR 8.6N <COMO>	[J]	
L13	6200004741	S.COI NLV25T-1R2J	T	70.4/34.5
L15	6200012390	S.COI 0.30-0.92-3TR 5.8N <COMO>	T	67.1/31.4
L16	6200010030	S.COI C2012C-15NG-A	[A] B	21.1/35.6
	6200010030	S.COI C2012C-15NG-A	[M]	
	6200010030	S.COI C2012C-15NG-A	[J]	
	6200010020	S.COI C2012C-12NG-A	[B]	
	6200010020	S.COI C2012C-12NG-A	[N]	
L17	6200004741	S.COI NLV25T-1R2J	[A] T	57.7/30
	6200004741	S.COI NLV25T-1R2J	[M]	
	6200004741	S.COI NLV25T-1R2J	[J]	
	6200002851	S.COI NLV25T-F82J	[B]	
	6200002851	S.COI NLV25T-F82J	[N]	
L18	6130003000	S.COI #617DB-1714=P3	B	39/36.2
L19	6130003000	S.COI #617DB-1714=P3	B	34.5/42.6
L20	6200005721	S.COI ELJRE 33NGFA	T	54.2/32.6
L21	6200005671	S.COI ELJRE 12NGFA	T	54.4/39.1

[MAIN UNIT] (For IC-F6060 series)

REF NO.	PARTS NO.	DESCRIPTION	M.	H/V LOCATION
L22	6200005711	S.COI ELJRE 27NGFA	[A] B	40.2/46
	6200005711	S.COI ELJRE 27NGFA	[M]	
	6200005711	S.COI ELJRE 27NGFA	[J]	
	6200005691	S.COI ELJRE 18NGFA	[B]	
	6200005691	S.COI ELJRE 18NGFA	[N]	
L23	6200005711	S.COI ELJRE 27NGFA	B	42.9/46
	6200005711	S.COI ELJRE 27NGFA	[M]	
	6200005711	S.COI ELJRE 27NGFA	[J]	
	6200005691	S.COI ELJRE 18NGFA	[B]	
	6200005691	S.COI ELJRE 18NGFA	[N]	
L24	6130003000	S.COI #617DB-1714=P3	B	27/36.2
L25	6200005711	S.COI ELJRE 27NGFA	T	50/38.4
L26	6200010030	S.COI C2012C-15NG-A	B	15.9/35.6
	6200010030	S.COI C2012C-15NG-A	[M]	
	6200010030	S.COI C2012C-15NG-A	[J]	
	6200010020	S.COI C2012C-12NG-A	[B]	
	6200010020	S.COI C2012C-12NG-A	[N]	
L27	6200005711	S.COI ELJRE 27NGFA	B	65.2/65.4
L28	6200010030	S.COI C2012C-15NG-A	[A] B	7/36.7
	6200010030	S.COI C2012C-15NG-A	[M]	
	6200010020	S.COI C2012C-12NG-A	[B]	
	6200010020	S.COI C2012C-12NG-A	[N]	
L29	6200005641	S.COI ELJRE 6N8ZFA	B	73.5/69
L30	6200005691	S.COI ELJRE 18NGFA	[A] T	73.5/73.7
	6200005701	S.COI ELJRE 22NGFA	[M]	
	6200005701	S.COI ELJRE 22NGFA	[J]	
	6200005691	S.COI ELJRE 18NGFA	[B]	
	6200005691	S.COI ELJRE 18NGFA	[N]	
L31	6200010210	S.COI C2012C-22NG-A	B	9.2/44.8
	6200010210	S.COI C2012C-22NG-A	[M]	
	6200010210	S.COI C2012C-22NG-A	[J]	
	6200009980	S.COI C2012C-18NG-A	[B]	
	6200009980	S.COI C2012C-18NG-A	[N]	
L32	6200010210	S.COI C2012C-22NG-A	B	9.2/48.8
	6200010210	S.COI C2012C-22NG-A	[M]	
	6200010210	S.COI C2012C-22NG-A	[J]	
	6200009980	S.COI C2012C-18NG-A	[B]	
	6200009980	S.COI C2012C-18NG-A	[N]	
L33	6200010150	S.COI AS080340-15N	T	32.6/75.2
L34	6200010100	S.COI C2012C-33NG-A	B	13.7/50
L35	6200005691	S.COI ELJRE 18NGFA	B	23/50.7
	6200005691	S.COI ELJRE 18NGFA	[M]	
	6200005691	S.COI ELJRE 18NGFA	[J]	
	6200006771	S.COI ELJRE 1N5ZFA	[B]	
	6200006771	S.COI ELJRE 1N5ZFA	[N]	
L36	6200010420	S.COI FHW1210HC 1R0JGT <JJE>	B	31.2/68
L37	6200010150	S.COI AS080340-15N	T	30.3/58.1
L38	6200010150	S.COI AS080340-15N	T	22.2/58.3
L39	6200010150	S.COI AS080340-15N	T	14.3/60.3
L40	6200010150	S.COI AS080340-15N	T	10.3/82.4
L41	6200002861	S.COI NLV25T-4R7J	T	111.3/55.1
L42	6200005011	S.COI NLV25T-100J	T	40.1/41.6
L43	6200010680	S.COI C2520C-R22G-A (0.22U)	T	41.2/35.1
L44	6200010740	S.COI C2520C-R27G-A	T	35.9/39.5
L45	6200010150	S.COI AS080340-15N	T	6.4/58.3
L46	6200005711	S.COI ELJRE 27NGFA	B	71.1/68.8
L47	6200012390	S.COI 0.30-0.92-3TR 5.8N <COMO>	[B] T	65.1/44.7
	6200012390	S.COI 0.30-0.92-3TR 5.8N <COMO>	[N]	
L48	6200012390	S.COI 0.30-0.92-3TR 5.8N <COMO>	B	65.1/38.2
	6200012390	S.COI 0.30-0.92-3TR 5.8N <COMO>	[N]	
R1	7030005060	S.RES ERJ2GEJ 333 X (33K)	B	38.6/6
R2	7510001730	S.THE ERTJOEP 473J	T	89.3/32.2
R3	7030005050	S.RES ERJ2GEJ 103 X (10K)	T	78.5/11.6
R4	7030005230	S.RES ERJ2GEJ 334 X (330K)	B	88.8/18.5
R5	7030005090	S.RES ERJ2GEJ 104 X (100K)	T	89.8/33.5
R6	7030005700	S.RES ERJ2GEJ 274 X (270K)	T	87.7/19.4
R7	7030005230	S.RES ERJ2GEJ 334 X (330K)	T	84.3/17.5
R8	7410001130	S.ARR EXB28V102JX	T	86.9/52.4
R9	7030007570	S.RES ERJ2GEJ 122 X (1.2K)	B	35.4/11.4
R10	7030007060	S.RES ERJ2GEJ 684X (680K)	B	35.8/13.7
R11	7030010040	S.RES ERJ2GEJ-JPW	T	9.3/12.9
R12	7030004970	S.RES ERJ2GEJ 470 X (47)	T	34.1/6.4
R13	7030007340	S.RES ERJ2GEJ 153 X (15K)	T	8.9/16.5
R14	7030007340	S.RES ERJ2GEJ 153 X (15K)	T	9.3/9.3
R15	7030005070	S.RES ERJ2GEJ 683 X (68K)	B	93.3/14.4
R17	7030007570	S.RES ERJ2GEJ 122 X (1.2K)	B	93.3/15.3
R18	7030008300	S.RES ERJ2GEJ 184 X (180K)	B	81.5/7.3
R19	7030005230	S.RES ERJ2GEJ 334 X (330K)	T	86.3/9.9
R20	7030005090	S.RES ERJ2GEJ 104 X (100K)	T	77.9/8.2
R21	7030005070	S.RES ERJ2GEJ 683 X (68K)	T	88.5/8.9
R22	7030005050	S.RES ERJ2GEJ 103 X (10K)	B	38.6/7.7
R23	7030005050	S.RES ERJ2GEJ 103 X (10K)	B	38.6/9.4
R24	7030005060	S.RES ERJ2GEJ 333 X (33K)	B	37.7/10.7
R25	7030005120	S.RES ERJ2GEJ 102 X (1K)	B	101/51.6
R26	7030005000	S.RES ERJ2GEJ 471 X (470)	B	96.7/5.7
R27	7030007300	S.RES ERJ2GEJ 332 X (3.3K)	T	53.9/5.6
R28	7030010040	S.RES ERJ2GEJ-JPW	T	59.6/5.4
R29	7030005000	S.RES ERJ2GEJ 471 X (470)	T	114.5/10.2
R30	7030005170	S.RES ERJ2GEJ 474 X (470K)	B	37.7/9.4
R31	7030007340	S.RES ERJ2GEJ 153 X (15K)	B	36.8/9.9
R32	7030005720	S.RES ERJ2GEJ 563 X (56K)	B	37.7/7.7
R33	7030005160	S.RES ERJ2GEJ 105 X (10M)	B	81/8.4
R34	7030005040	S.RES ERJ2GEJ 472 X (4.7K)	T	79/10
R35	7030005120	S.RES ERJ2GEJ 102 X (1K)	T	81.5/7.2
R36	7030007270	S.RES ERJ2GEJ 151 X (150)	B	25.8/14.4
R37	7030005210	S.RES ERJ2GEJ 822 X (8.2K)	B	15/7.3
R38	7030007340	S.RES ERJ2GEJ 153 X (15K)	T	23.1/6.2
R39	7030007340	S.RES ERJ2GEJ 153 X (15K)	T	22.8/10.2
R40	7030005240	S.RES ERJ2GEJ 473 X (47K)	T	25.9/10.6
R41	7030007290	S.RES ERJ2GEJ 222 X (2.2K)	T	26.4/5.3
R42	7030005090	S.RES ERJ2GEJ 104 X (100K)	B	94.7/11.7
R43	7030007300	S.RES ERJ2GEJ 332 X (3.3K)	B	95.2/10.4

M.=Mounted side (T: Mounted on the Top side, B: Mounted on the Bottom side) S.=Surface mount

[MAIN UNIT] (For IC-F6060 series)

REF NO.	PARTS NO.	DESCRIPTION	M.	H/V LOCATION
R44	7030007340	S.RES ERJ2GEJ 153 X (15K)	B	90.8/12.9
R45	7030005220	S.RES ERJ2GEJ 223 X (22K)	B	91.9/10
R46	7030005040	S.RES ERJ2GEJ 472 X (4.7K)	T	90.5/13.7
R47	7030005050	S.RES ERJ2GEJ 103 X (10K)	T	90.9/12.7
R48	7030005060	S.RES ERJ2GEJ 333 X (33K)	B	51.1/8.1
R49	7030005160	S.RES ERJ2GEJ 105 X (1M)	B	49.9/13.6
R50	7030005090	S.RES ERJ2GEJ 104 X (100K)	B	49.9/11
R51	7030005290	S.RES ERJ2GEJ 682 X (6.8K)	T	52.6/8.6
R52	7030007340	S.RES ERJ2GEJ 153 X (15K)	B	63.3/12.6
R53	7030005000	S.RES ERJ2GEJ 471 X (470)	T	84.4/38.2
R54	7030005120	S.RES ERJ2GEJ 102 X (1K)	B	81.3/43.4
R55	7030007290	S.RES ERJ2GEJ 222 X (2.2K)	B	83.5/26.5
R56	7030004980	S.RES ERJ2GEJ 101 X (100)	B	81.6/39.1
R57	7030005090	S.RES ERJ2GEJ 104 X (100K)	B	28/14.3
R58	7030004980	S.RES ERJ2GEJ 101 X (100)	T	26.4/8.1
R59	7030005240	S.RES ERJ2GEJ 473 X (47K)	T	26.8/7.2
R60	7030005000	S.RES ERJ2GEJ 471 X (470)	T	31/10.3
R61	7030005040	S.RES ERJ2GEJ 472 X (4.7K)	T	27.7/8.4
R62	7030005040	S.RES ERJ2GEJ 472 X (4.7K)	B	32.7/12.5
R63	7030005220	S.RES ERJ2GEJ 223 X (22K)	B	91.9/8.3
R64	7030005220	S.RES ERJ2GEJ 223 X (22K)	B	91.9/6.6
R65	7030005090	S.RES ERJ2GEJ 104 X (100K)	B	51.1/9
R67	7030005290	S.RES ERJ2GEJ 682 X (6.8K)	T	53.5/8.6
R68	7030007290	S.RES ERJ2GEJ 222 X (2.2K)	B	53.7/17.7
R69	7030010040	S.RES ERJ2GEJ-JPW	T	85.6/16.8
R71	7030005090	S.RES ERJ2GEJ 104 X (100K)	T	54.5/8.6
R72	7030007290	S.RES ERJ2GEJ 222 X (2.2K)	B	50.9/30.2
R73	7030004980	S.RES ERJ2GEJ 101 X (100)	B	80.3/29.7
R74	7030007570	S.RES ERJ2GEJ 122 X (1.2K)	B	83.1/27.8
R75	7030005290	S.RES ERJ2GEJ 682 X (6.8K)	B	82.6/42.4
R76	7030005050	S.RES ERJ2GEJ 103 X (10K)	B	82.4/33
R77	7030005580	S.RES ERJ2GEJ 560 X (56)	B	83.2/48
R78	7030005220	S.RES ERJ2GEJ 223 X (22K)	B	81.6/37.3
R79	7030007340	S.RES ERJ2GEJ 153 X (15K)	T	51.1/42.8
R80	7030007340	S.RES ERJ2GEJ 153 X (15K)	T	51.1/41.8
R81	7030005090	S.RES ERJ2GEJ 104 X (100K)	B	74.9/45.2
R82	7030005110	S.RES ERJ2GEJ 224 X (220K)	B	71.7/27.3
R83	7030008400	S.RES ERJ2GEJ 182 X (1.8K)	T	32.6/9.3
R84	7030007280	S.RES ERJ2GEJ 331 X (330)	T	24.6/18.3
R85	7030005110	S.RES ERJ2GEJ 224 X (220K)	T	24.2/19.3
R86	7030007300	S.RES ERJ2GEJ 332 X (3.3K)	B	33.4/8
R87	7030007300	S.RES ERJ2GEJ 332 X (3.3K)	T	30.5/19.3
R88	7030005120	S.RES ERJ2GEJ 102 X (1K)	B	90.7/6.6
R90	7030005000	S.RES ERJ2GEJ 471 X (470)	B	89.8/18.5
R91	7030005230	S.RES ERJ2GEJ 334 X (330K)	T	86.4/12.8
R93	7030005310	S.RES ERJ2GEJ 124 X (120K)	T	83.9/8.4
R94	7030005080	S.RES ERJ2GEJ 823 X (82K)	T	106.7/36.7
R95	7030005720	S.RES ERJ2GEJ 563 X (56K)	T	106.3/35.7
R96	7030005240	S.RES ERJ2GEJ 473 X (47K)	B	63.7/15.1
R97	7030005060	S.RES ERJ2GEJ 333 X (33K)	B	52.2/12.7
R98	7030005040	S.RES ERJ2GEJ 472 X (4.7K)	B	63.7/18.9
R99	7030005240	S.RES ERJ2GEJ 473 X (47K)	B	63.7/18
R100	7030005120	S.RES ERJ2GEJ 102 X (1K)	B	84.4/32.4
R101	7030007280	S.RES ERJ2GEJ 331 X (330)	B	80.1/32.9
R102	7030005530	S.RES ERJ2GEJ 100 X (10)	T	22.5/19.3
R103	7030005600	S.RES ERJ2GEJ 273 X (27K)	T	28.7/25.5
R104	7030007280	S.RES ERJ2GEJ 331 X (330)	T	25/22.5
R105	7030005600	S.RES ERJ2GEJ 273 X (27K)	B	32.4/24.2
R106	7030007270	S.RES ERJ2GEJ 151 X (150)	T	33.9/22.2
R108	7030005240	S.RES ERJ2GEJ 473 X (47K)	B	81.9/18.9
R109	7030005700	S.RES ERJ2GEJ 274 X (270K)	B	81/18.9
R110	7030005050	S.RES ERJ2GEJ 103 X (10K)	T	78.4/20.8
R111	7030005050	S.RES ERJ2GEJ 103 X (10K)	T	96.2/28.5
R112	7030005700	S.RES ERJ2GEJ 274 X (270K)	T	81.7/20.2
R113	7030005240	S.RES ERJ2GEJ 473 X (47K)	B	57.4/19.5
R114	7030005090	S.RES ERJ2GEJ 104 X (100K)	B	54.1/13.4
R115	7030005090	S.RES ERJ2GEJ 104 X (100K)	T	113.7/17.8
R116	7030005090	S.RES ERJ2GEJ 104 X (100K)	B	78.4/15.4
R117	7030005050	S.RES ERJ2GEJ 103 X (10K)	B	81.6/38.2
R118	7030005700	S.RES ERJ2GEJ 274 X (270K)	T	88.5/9.9
	7030005700	S.RES ERJ2GEJ 274 X (270K)	[A]	
	7030005700	S.RES ERJ2GEJ 274 X (270K)	[M]	
	7030005230	S.RES ERJ2GEJ 334 X (330K)	[J]	
	7030005230	S.RES ERJ2GEJ 334 X (330K)	[B]	
	7030005230	S.RES ERJ2GEJ 334 X (330K)	[N]	
R120	7030007280	S.RES ERJ2GEJ 331 X (330)	T	26.5/34.4
R122	7030005600	S.RES ERJ2GEJ 273 X (27K)	T	28.8/35.2
R123	7030005600	S.RES ERJ2GEJ 273 X (27K)	T	34.1/35.2
R125	7030007270	S.RES ERJ2GEJ 151 X (150)	T	36.4/34.4
R127	7030005050	S.RES ERJ2GEJ 103 X (10K)	B	78.2/18.7
R128	7030005240	S.RES ERJ2GEJ 473 X (47K)	T	111.5/45.4
R129	7030005040	S.RES ERJ2GEJ 472 X (4.7K)	T	111.1/44.5
R130	7030005070	S.RES ERJ2GEJ 683 X (68K)	T	103.5/41.8
R131	7030005070	S.RES ERJ2GEJ 683 X (68K)	T	103.5/43.6
R132	7030004980	S.RES ERJ2GEJ 101 X (100)	T	113.8/16.5
R133	7030005090	S.RES ERJ2GEJ 104 X (100K)	T	109.6/11.8
R134	7030005160	S.RES ERJ2GEJ 105 X (1M)	T	129.8/25.5
R135	7030005160	S.RES ERJ2GEJ 105 X (1M)	T	129.8/24.2
R136	7030005160	S.RES ERJ2GEJ 105 X (1M)	T	129.8/22.9
R138	7030005530	S.RES ERJ2GEJ 100 X (10)	T	63.8/31.3
R139	7410001140	S.ARR EXB28V104JX	T	133.8/19.8
R140	7030006020	S.RES RR0510P-682-D (6.8K)	T	62.9/44.3
R141	7030006020	S.RES RR0510P-682-D (6.8K)	T	62.9/42.6
R142	7030010040	S.RES ERJ2GEJ-JPW	T	61.6/43.9
R143	7030006020	S.RES RR0510P-682-D (6.8K)	T	62.9/37.8
R144	7030006020	S.RES RR0510P-682-D (6.8K)	T	62.9/36.1
R145	7030010040	S.RES ERJ2GEJ-JPW	T	61.6/37.4
R146	7030006020	S.RES RR0510P-682-D (6.8K)	T	62.9/31.3
R147	7030006020	S.RES RR0510P-682-D (6.8K)	T	62.9/29.6
R148	7030009320	S.RES ERJ2GEJ 4R7 X (4.7)	T	61.6/30.9
R149	7030005110	S.RES ERJ2GEJ 224 X (220K)	B	65.1/32.6
R150	7030008290	S.RES ERJ2GEJ 183 X (18K)	B	79.2/28.2

[MAIN UNIT] (For IC-F6060 series)

REF NO.	PARTS NO.	DESCRIPTION	M.	H/V LOCATION
R151	7030005220	S.RES ERJ2GEJ 223 X (22K)	[A]	B 80.5/27.8
	7030005220	S.RES ERJ2GEJ 223 X (22K)	[M]	
	7030005220	S.RES ERJ2GEJ 223 X (22K)	[J]	
	7030008290	S.RES ERJ2GEJ 183 X (18K)	[B]	
	7030008290	S.RES ERJ2GEJ 183 X (18K)	[N]	
R152	7030005090	S.RES ERJ2GEJ 104 X (100K)	B	81.8/28.2
R153	7030007300	S.RES ERJ2GEJ 332 X (3.3K)	T	36.4/42.1
R154	7030004970	S.RES ERJ2GEJ 470 X (47)	T	42.9/40
R155	7030007290	S.RES ERJ2GEJ 222 X (2.2K)	T	39.9/33
R156	7030004970	S.RES ERJ2GEJ 470 X (47)	T	42.3/41.2
R157	7030005090	S.RES ERJ2GEJ 104 X (100K)	B	30.1/24.9
R158	7030005240	S.RES ERJ2GEJ 473 X (47K)	T	111.1/42.7
R159	7030005240	S.RES ERJ2GEJ 473 X (47K)	T	111.5/40.9
R160	7030005240	S.RES ERJ2GEJ 473 X (47K)	T	113.7/39.9
R161	7030005070	S.RES ERJ2GEJ 683 X (68K)	T	105.4/48.4
R162	7030005240	S.RES ERJ2GEJ 473 X (47K)	T	127.8/16.3
R163	7030005240	S.RES ERJ2GEJ 473 X (47K)	T	128.7/17.2
R164	7030005240	S.RES ERJ2GEJ 473 X (47K)	T	129.6/16.3
R165	7030005230	S.RES ERJ2GEJ 334 X (330K)	T	129.8/21.6
R166	7030005230	S.RES ERJ2GEJ 334 X (330K)	T	129.8/20.3
R167	7030005230	S.RES ERJ2GEJ 334 X (330K)	T	129.8/19
R168	7030011180	S.RES RR0510P-391-D (390)	B	60/42.5
R169	7030009820	S.RES RR0510P-681-D (680)	B	60/38.6
	7030009820	S.RES RR0510P-681-D (680)	[A]	
	7030009820	S.RES RR0510P-681-D (680)	[M]	
	7030011180	S.RES RR0510P-391-D (390)	[J]	
	7030011180	S.RES RR0510P-391-D (390)	[B]	
	7030011180	S.RES RR0510P-391-D (390)	[N]	
R170	7030009820	S.RES RR0510P-681-D (680)	B	55.7/31.5
R171	7030005310	S.RES ERJ2GEJ 124 X (120K)	T	57/31.8
R172	7030008280	S.RES ERJ2GEJ 271 X (270)	B	37.5/44.6
R173	7030007270	S.RES ERJ2GEJ 151 X (150)	B	40/32.8
R176	7030005590	S.RES ERJ2GEJ 680 X (68)	B	31.3/37.4
R177	7030005590	S.RES ERJ2GEJ 680 X (68)	B	31.3/35
R178	7030005240	S.RES ERJ2GEJ 473 X (47K)	T	113.7/38.9
R179	7030008300	S.RES ERJ2GEJ 184 X (180K)	T	117.1/34.6
R180	7030005720	S.RES ERJ2GEJ 563 X (56K)	T	117.5/35.9
R181	7030005220	S.RES ERJ2GEJ 223 X (22K)	T	117.1/36.6
R182	7030005120	S.RES ERJ2GEJ 102 X (1K)	T	117.5/33.6
R183	7030005070	S.RES ERJ2GEJ 683 X (68K)	T	103.7/48.4
R184	7030005220	S.RES ERJ2GEJ 223 X (22K)	T	115.4/36.6
R185	7030005070	S.RES ERJ2GEJ 683 X (68K)	B	102.3/45.6
R186	7030005160	S.RES ERJ2GEJ 105 X (1M)	T	81.3/19.3
R187	7030005060	S.RES ERJ2GEJ 333 X (33K)	T	83.3/17.5
R188	7030005090	S.RES ERJ2GEJ 104 X (100K)	T	78.9/14.6
R189	7030005720	S.RES ERJ2GEJ 563 X (56K)	T	78.5/15.8
R190	7030007350	S.RES ERJ2GEJ 393 X (39K)	T	80.8/18.4
R191	7030004980	S.RES ERJ2GEJ 101 X (100)	T	54.2/30.4
R192	7030008280	S.RES ERJ2GEJ 271 X (270)	B	52.6/35.9
R193	7030005050	S.RES ERJ2GEJ 103 X (10K)	B	57.5/31.5
R194	7030007340	S.RES ERJ2GEJ 153 X (15K)	T	53.5/36.7
R195	7030007260	S.RES ERJ2GEJ 330 X (33)	T	51/33.4
R196	7030005050	S.RES ERJ2GEJ 103 X (10K)	B	56.8/35.3
R197	7030005050	S.RES ERJ2GEJ 103 X (10K)	B	55/38.5
R198	7030010090	S.RES ERJ2GEJ 180 X (18)	B	38/46
R199	7030008280	S.RES ERJ2GEJ 271 X (270)	B	38.5/44.6
R200	7030005050	S.RES ERJ2GEJ 103 X (10K)	B	8.4/20.6
R201	7410001130	S.ARR EXB28V102JX	B	117/51.7
R202	7030005090	S.RES ERJ2GEJ 104 X (100K)	T	127.1/46.7
R203	7030005120	S.RES ERJ2GEJ 102 X (1K)	B	126.7/42.2
R204	7410000750	S.ARR EXB-V4V 104JV (100K)	B	129.6/44.3
R205	7030008010	S.RES ERJ2GEJ 123 X (12K)	T	126.2/39.2
R206	7030005120	S.RES ERJ2GEJ 102 X (1K)	B	128.7/37.1
R207	7030005050	S.RES ERJ2GEJ 103 X (10K)	T	120.3/37
R208	7030005050	S.RES ERJ2GEJ 103 X (10K)	T	121/37.7
R209	7410001130	S.ARR EXB28V102JX	B	128.6/39.5
R210	7030008010	S.RES ERJ2GEJ 123 X (12K)	T	123.6/37.9
R211	7030008010	S.RES ERJ2GEJ 123 X (12K)	T	125.5/40.8
R212	7030005160	S.RES ERJ2GEJ 105 X (1M)	T	121.7/40.8
R213	7030005070	S.RES ERJ2GEJ 683 X (68K)	T	49/35
R214	7030004980	S.RES ERJ2GEJ 101 X (100)	B	49/35
R215	7030005050	S.RES ERJ2GEJ 103 X (10K)	B	48.8/51.4
R216	7030004980	S.RES ERJ2GEJ 101 X (100)	[A]	
	7030005120	S.RES ERJ2GEJ 102 X (1K)	[M]	
	7030005120	S.RES ERJ2GEJ 102 X (1K)	[J]	
	7030004980	S.RES ERJ2GEJ 101 X (100)	[B]	
	7030005120	S.RES ERJ2GEJ 102 X (1K)	[N]	
R218	7030010040	S.RES ERJ2GEJ-JPW	T	53.5/34.9
R219	7030005050	S.RES ERJ2GEJ 103 X (10K)	B	46.8/44.6
R220	7030005040	S.RES ERJ2GEJ 472 X (4.7K)	B	49.7/44.8
R221	7030004980	S.RES ERJ2GEJ 101 X (100)	B	46.8/42.9
R222	7030005110	S.RES ERJ2GEJ 224 X (220K)	B	13.5/33.1
R223	7030005110	S.RES ERJ2GEJ 224 X (220K)		

[MAIN UNIT] (For IC-F6060 series)

REF NO.	PARTS NO.	DESCRIPTION	M.	H/V LOCATION
R248	7410001130	S.ARR EXB28V102JX	B	103.9/47.9
R249	7410001130	S.ARR EXB28V102JX	B	123.6/27.2
R250	7410001130	S.ARR EXB28V102JX	B	121.9/25.3
R251	7410001140	S.ARR EXB28V104JX	T	124.2/27.9
R252	7410001140	S.ARR EXB28V104JX	T	122.1/25.7
R253	7030008290	S.RES ERJ2GEJ 183 X (18K)	T	11.8/40.1
R254	7030005110	S.RES ERJ2GEJ 224 X (220K)	T	7.3/41.8
R255	7030005240	S.RES ERJ2GEJ 473 X (47K)	B	9/41.9
R257	7030008400	S.RES ERJ2GEJ 182 X (1.8K)	T	7.3/39.7
R258	7030005170	S.RES ERJ2GEJ 474 X (470K)	T	8.4/42.2
R259	7030005090	S.RES ERJ2GEJ 104 X (100K)	B	5.4/45.6
R260	7030005090	S.RES ERJ2GEJ 104 X (100K)	B	5.4/48
R261	7410001130	S.ARR EXB28V102JX	B	99.7/43.5
R262	7410001130	S.ARR EXB28V102JX	T	100.5/37.8
R263	7410001130	S.ARR EXB28V102JX	B	97/40.7
R264	7410000750	S.ARR EXB-V4V 104JV (100K)	T	103.2/35.4
R265	7030007340	S.RES ERJ2GEJ 153 X (15K)	T	87.7/31
R266	7410001130	S.ARR EXB28V102JX	B	120.1/23.5
R267	7410001130	S.ARR EXB28V102JX	B	118.3/21.7
R268	7410001130	S.ARR EXB28V102JX	B	116.5/19.9
R269	7030005090	S.RES ERJ2GEJ 104 X (100K)	T	118.6/20.6
R270	7030007340	S.RES ERJ2GEJ 153 X (15K)	T	88.6/34.2
R271	7030007270	S.RES ERJ2GEJ 151 X (150)	T	73/71.8
R272	7030007280	S.RES ERJ2GEJ 331 X (330)	T	61/76.7
R273	7030005050	S.RES ERJ2GEJ 103 X (10K)	T	63.6/76.2
R274	7030004980	S.RES ERJ2GEJ 101 X (100)	B	57.9/68.9
R277	7030005050	S.RES ERJ2GEJ 103 X (10K)	B	4.1/46.5
R278	7030005050	S.RES ERJ2GEJ 103 X (10K)	B	126.6/28.8
R279	7030005090	S.RES ERJ2GEJ 104 X (100K)	B	127.6/28.8
R280	7410001130	S.ARR EXB28V102JX	B	95.2/38.9
R281	7030005090	S.RES ERJ2GEJ 104 X (100K)	T	93.8/48.9
R282	7410000750	S.ARR EXB-V4V 104JV (100K)	T	91.6/49.5
R283	7410001130	S.ARR EXB28V102JX	B	104.7/22.2
R284	7030005120	S.RES ERJ2GEJ 102 X (1K)	T	111.3/25.3
R285	7410001130	S.ARR EXB28V102JX	B	107.1/19.9
R286	7410001140	S.ARR EXB28V104JX	T	120.5/21.8
R287	7030004990	S.RES ERJ2GEJ 221 X (220)	B	57.6/64.5
R288	7030005100	S.RES ERJ2GEJ 154 X (150K)	B	55.8/68.9
R289	7030008300	S.RES ERJ2GEJ 184 X (180K)	[A] B	44.3/65
R290	7520000261	S.POS PRF18BB471QB5RB	[A] [B] [B]	T 33.7/66.7
R291	7030005120	S.RES ERJ2GEJ 102 X (1K)	T	107.2/21.1
R292	7030006070	S.RES ERJ12VJ101U (100)	B	36.9/68
R293	7030005110	S.RES ERJ2GEJ 224 X (220K)	B	50.5/65.7
R294	7030005050	S.RES ERJ2GEJ 123 X (10K)	B	53.1/70.1
R295	7030005110	S.RES ERJ2GEJ 224 X (220K)	B	54.2/64.5
R296	7030005040	S.RES ERJ2GEJ 472 X (4.7K)	B	50/68.9
R297	7030008010	S.RES ERJ2GEJ 123 X (12K)	[A] [M] [J] [B] [N]	B 51.8/70.2
R298	7030008010	S.RES ERJ2GEJ 123 X (12K)	[A] [M] [J] [B] [N]	B 51.8/70.2
R299	7030005220	S.RES ERJ2GEJ 223 X (22K)	[A] [M] [J] [B] [N]	B 49.2/66.1
R298	7030006610	S.RES ERJ2GEJ 394 X (390K)	B	18.3/33.1
R299	7030005110	S.RES ERJ2GEJ 224 X (220K)	B	99.9/59.6
R300	7030005050	S.RES ERJ2GEJ 103 X (10K)	T	106.7/55
R301	7030007290	S.RES ERJ2GEJ 222 X (2.2K)	T	79.1/64.4
R302	7030000440	S.RES MCR10EZJH 3.3K (332)	T	81.1/64.4
R303	7030000440	S.RES MCR10EZJH 3.3K (332)	T	83.1/64.4
R304	7030000440	S.RES MCR10EZJH 3.3K (332)	T	66.9/54.1
R305	7030005050	S.RES ERJ2GEJ 103 X (10K)	T	68.1/53.2
R306	7030005040	S.RES ERJ2GEJ 472 X (4.7K)	T	35.4/61.7
R307	7030005050	S.RES ERJ2GEJ 103 X (10K)	T	102.3/63.8
R308	7410001130	S.ARR EXB28V102JX	T	94.9/5.4
R309	7030005070	S.RES ERJ2GEJ 683 X (68K)	T	109.1/62.5
R310	7030004980	S.RES ERJ2GEJ 101 X (100)	B	16/79.4
R311	7030000260	S.RES MCR10EZJH 100 (101)	B	41/61.1
R312	7030005700	S.RES ERJ2GEJ 274 X (270K)	B	11.2/58
R313	7030003320	S.RES ERJ3GEVJ 101 V (100)	B	10/55.3
R314	7030007340	S.RES ERJ2GEJ 153 X (15K)	[A] [M] [J] [B] [N]	B 3/61.6
R315	7030008400	S.RES ERJ2GEJ 182 X (1.8K)	[A] [M] [J] [B] [N]	T 92.7/10.3
R316	7030005110	S.RES ERJ2GEJ 224 X (220K)	[A] [M] [J] [B] [N]	T 116.5/86.3
R317	7030005160	S.RES ERJ2GEJ 105 X (1M)	[A] [M] [J] [B] [N]	T 113.7/83.8
R318	7030005160	S.RES ERJ2GEJ 105 X (1M)	[A] [M] [J] [B] [N]	T 114/82.6
R319	7030005120	S.RES ERJ2GEJ 102 X (1K)	[A] [M] [J] [B] [N]	T 112.9/86.3
R320	7030005160	S.RES ERJ2GEJ 105 X (1M)	[A] [M] [J] [B] [N]	T 112.1/84.5
R321	7030004970	S.RES ERJ2GEJ 470 X (47)	[A] [M] [J] [B] [N]	B 4.6/80.9
R322	7030007340	S.RES ERJ2GEJ 153 X (15K)	[A] [M] [J] [B] [N]	B 6.8/80.9
R323	7030003320	S.RES ERJ3GEVJ 101 V (100)	[A] [M] [J] [B] [N]	T 6.1/83.1
R324	7030000620	S.RES MCR10EZJH 100 K (104)	[A] [M] [J] [B] [N]	T 131.2/45.3
R325	7030005050	S.RES ERJ2GEJ 103 X (10K)	[A] [M] [J] [B] [N]	T 131.6/51.7
R326	7030005090	S.RES ERJ2GEJ 104 X (100K)	[A] [M] [J] [B] [N]	T 131.1/54.2
R327	7030007290	S.RES ERJ2GEJ 222 X (2.2K)	[A] [M] [J] [B] [N]	T 134.1/51.7
R328	7030005090	S.RES ERJ2GEJ 104 X (100K)	[A] [M] [J] [B] [N]	T 109.4/24.2
R329	7030005090	S.RES ERJ2GEJ 104 X (100K)	[A] [M] [J] [B] [N]	T 112.6/29.5
R330	7030000100	S.RES MCR10EZJH 4.7 (4R7)	[A] [M] [J] [B] [N]	T 108.1/77.4
R331	7030005050	S.RES ERJ2GEJ 103 X (10K)	[A] [M] [J] [B] [N]	T 112/87.8
R332	7030005120	S.RES ERJ2GEJ 102 X (1K)	[A] [M] [J] [B] [N]	T 112.2/80
R333	7410001130	S.ARR EXB28V102JX	[A] [M] [J] [B] [N]	T 104.8/77
R334	7030005651	S.RES ERA3YKD 304V (300K)	[A] [M] [J] [B] [N]	B 99.9/57.9
R335	7030005871	S.RES ERA3YKD 104V (100K)	[A] [M] [J] [B] [N]	B 99.9/56.5
R336	7030003560	S.RES ERJ3GEVJ 103 V (10K)	[A] [M] [J] [B] [N]	T 136.3/65.7
R337	7030003560	S.RES ERJ3GEVJ 103 V (10K)	[A] [M] [J] [B] [N]	B 130.7/85.9
R338	7030005090	S.RES ERJ2GEJ 104 X (100K)	[A] [M] [J] [B] [N]	T 135.4/52.2
R339	7030007290	S.RES ERJ2GEJ 222 X (2.2K)	[A] [M] [J] [B] [N]	T 138.1/49.4
R340	7030005110	S.RES ERJ2GEJ 224 X (220K)	[A] [M] [J] [B] [N]	B 133.3/54.6

[MAIN UNIT] (For IC-F6060 series)

REF NO.	PARTS NO.	DESCRIPTION	M.	H/V LOCATION
R345	7030005110	S.RES ERJ2GEJ 224 X (220K)	B	133.3/56.3
R346	7030005040	S.RES ERJ2GEJ 472 X (4.7K)	B	137/52.2
R347	7030005050	S.RES ERJ2GEJ 103 X (10K)	B	137.8/53.7
R348	7030005700	S.RES ERJ2GEJ 274 X (270K)	B	129.1/77.7
R349	7030005090	S.RES ERJ2GEJ 104 X (100K)	B	127.8/177.2
R350	7030005120	S.RES ERJ2GEJ 102 X (1K)	B	140/47.6
R351	7030004980	S.RES ERJ2GEJ 101 X (100)	B	134.5/36.5
R352	7030008300	S.RES ERJ2GEJ 184 X (180K)	B	140.1/38.5
R353	7030005230	S.RES ERJ2GEJ 334 X (330K)	B	139.3/34.8
R354	7030010040	S.RES ERJ2GEJ-JPW	T	140.4/36
R355	7030008280	S.RES ERJ2GEJ 271 X (270)	B	138/34.8
R356	7540000290	ABS ERZV10D220		
R359	7030005090	S.RES ERJ2GEJ 104 X (100K)	B	112.6/80.5
R360	7030005090	S.RES ERJ2GEJ 104 X (100K)	T	78.4/5.3
R361	7030005600	S.RES ERJ2GEJ 273 X (27K)	T	76.7/18.3
R362	7030005050	S.RES ERJ2GEJ 103 X (10K)	T	121.7/48.6
R363	7030005120	S.RES ERJ2GEJ 102 X (1K)	T	42.9/38.2
R364	7030005040	S.RES ERJ2GEJ 472 X (4.7K)	T	42/37.2
R366	7030005050	S.RES ERJ2GEJ 103 X (10K)	B	131.4/63.4
R367	7030005000	S.RES ERJ2GEJ 471 X (470)	B	130.1/63
R368	7030005050	S.RES ERJ2GEJ 103 X (10K)	T	80.6/7.2
R370	7030005030	S.RES ERJ2GEJ 152 X (1.5K)	B	78.4/35.7
R371	7030005120	S.RES ERJ2GEJ 102 X (1K)	B	78.7/44.7
R372	7030010040	S.RES ERJ2GEJ-JPW	B	39.5/8.1
R373	7030010040	S.RES ERJ2GEJ-JPW	B	50.4/12.3
R374	7030005050	S.RES ERJ2GEJ 103 X (10K)	T	117.9/83.3
R375	7030005030	S.RES ERJ2GEJ 152 X (1.5K)	T	29.2/5.3
R376	7030005040	S.RES ERJ2GEJ 472 X (4.7K)	T	75.8/18.3
R377	7030005160	S.RES ERJ2GEJ 105 X (1M)	B	112.9/12.2
R378	7030005160	S.RES ERJ2GEJ 105 X (1M)	B	114.2/12.7
R379	7410001140	S.ARR EXB28V104JX	B	99.9/18
R380	7030005090	S.RES ERJ2GEJ 104 X (100K)	T	110.9/22.2
R385	7030010040	S.RES ERJ2GEJ-JPW	T	64.8/76.6
R386	7410000750	S.ARR EXB-V4V 104JV (100K)	T	110.1/30.2
R387	7030005120	S.RES ERJ2GEJ 102 X (1K)	T	104.8/86.7
R388	7030005120	S.RES ERJ2GEJ 102 X (1K)	T	108.8/86.7
R389	7030005050	S.RES ERJ2GEJ 103 X (10K)	T	103.8/38.2
C1	4030017420	S.CER C1005 CH 1H 470J-T	T	88.9/54.3
C2	4030017420	S.CER C1005 CH 1H 470J-T	T	89.9/54.3
C3	4030017420	S.CER C1005 CH 1H 470J-T	T	41.7/15.3
C4	4030017420	S.CER C1005 CH 1H 470J-T	B	50.4/14.9
C5	4030016930	S.CER C1005 JB 1A 104K-T	T	89.8/34.6
C6	4550006250	S.TAN TEESVA 1A 106M8R	B	77.3/49.7
C8	4030017420	S.CER C1005 CH 1H 470J-T	T	89.9/52
C9	4030016930	S.CER C1005 JB 1A 104K-T	T	88.9/52
C10	4030016930	S.CER C1005 JB 1A 104K-T	T	79.8/51
C11	4030016930	S.CER C1005 JB 1A 104K-T	T	9.3/18.1
C12	4030016930	S.CER C1005 JB 1A 104K-T	T	9.3/11.1
C13	4030016930	S.CER C1005 JB 1A 104K-T	T	82.8/6.6
C14	4030016930	S.CER C1005 JB 1A 104K-T	T	86.3/8.9
C15	4030017460	S.CER C1005 JB 1H 102K-T	T	41.5/7.7
C16	4550000460	S.TAN TEESVA 1C 105M8R	T	42.7/6.2
C17	4550000460	S.TAN TEESVA 1C 105M8R	B	43/6.2
C18	4030017420	S.CER C1005 CH 1H 470J-T	T	41.7/14
C19	4030017420	S.CER C1005 CH 1H 470J-T	B	50.4/15.8
C20	4030016970	S.CER C1005 JB 1E 223K-T	B	101/52.7
C21	4030017420	S.CER C1005 CH 1H 470J-T	T	41.7/16.9
C22	4030017420	S.CER C1005 CH 1H 470J-T	T	41.7/12
C23	4030016930	S.CER C1005 JB 1A 104K-T	T	52.2/5.6
C24	4030017420	S.CER C1005 CH 1H 470J-T	B	39.5/9.8
C25	4030017420	S.CER C1005 CH 1H 470J-T	T	60.9/5.9
C26	4030016930	S.CER C1005 JB 1A 104K-T	B	37/76
C27	4030017760	S.CER C1005 JB 1H 222K-T	B	36.8/7.3
C28	4030016790	S.CER C1005 JB 1E 103K-T	T	78.1/9.5
C29	4030017460	S.CER C1005 JB 1H 102K-T	T	78.5/12.5
C30	4030016930	S.CER C1005 JB 1A 104K-T	T	78.5/13.4
C31	4030017460	S.CER C1005 JB 1H 102K-T	T	82/50.5
C32	4030017500	S.CER C1005 CH 1H 560J-T	B	33.3/15.9
C33	4030016930	S.CER C1005 JB 1A 104K-T	B	35.8/12.7
C34	4030017570	S.CER C1005 CH 1H 040B-T	B	32/15.4
C35	4030017590	S.CER C1005 CH 1H 070C-T	B	30.8/15.9
C36	4030016930	S.CER C1005 JB 1A 104K-T	T	22.9/15
C37	4030017360	S.CER C1005 CH 1H 030B-T	B	28.1/15.4
C38	4030016930	S.CER C1005 JB 1A 104K-T	T	22.1/6.2
C39	4030016930	S.CER C1005 JB 1A 104K-T	B	15/5.7
C40	4030016930	S.CER C1005 JB 1A 104K-T	T	24/46
C41	4030016930	S.CER C1005 JB 1A 104K-T	T	22.2/12.5
C42	4030016930	S.CER C1005 JB 1A 104K-T	T	23.1/12.5
C43	4030017760	S.CER C1005 JB 1H 222K-T	T	26.4/9.4
C44	4030017760	S.CER C1005 JB 1H 222K-T	T	25.5/9.4
C45	4030017990	S.CER C1005 JB 1H 682K-T	B	92.9/9.6
C46	4030016930	S.CER C1005 JB 1A 104K-T	B	93.9/10
C47	4030016970	S.CER C1005 JB 1E 223K-T	T	90.9/14.7</

[MAIN UNIT] (For IC-F6060 series)

REF NO.	PARTS NO.	DESCRIPTION	M.	H/V LOCATION
C70	4030017420	S.CER C1005 CH 1H 470J-T	B	30.6/14.3
C71	4030016940	S.CER C1005 JB 1A 393K-T	B	92.9/7.8
C72	4030018860	S.CER C1005 JB 0J 105K-T	B	50.9/11
C73	4030017750	S.CER C1005 JB 1H 122K-T	B	50.3/17.7
C74	4030016930	S.CER C1005 JB 1A 104K-T	B	52/17.7
C75	4030016930	S.CER C1005 JB 1A 104K-T	B	55.9/12.6
C77	4030017460	S.CER C1005 JB 1H 102K-T	B	53.1/12.7
C78	4030017460	S.CER C1005 JB 1H 102K-T	B	53.3/8.6
C79	4550006250	S.TAN TEESVA 1A 106M8R	B	50.1/33.1
C80	4030017770	S.CER C1005 JB 1H 332K-T	B	82.6/43.3
C81	4550000560	S.TAN TEESVA 1V 334M8R	B	84.4/41.1
C82	4030017460	S.CER C1005 JB 1H 102K-T	B	80.3/30.7
C83	4550000270	S.TAN TEESVA 1E 474M8R	B	84.4/35.9
C84	4030017460	S.CER C1005 JB 1H 102K-T	B	83.2/49.6
C85	4030017350	S.CER C1005 CH 1H 020B-T	T	55.2/45.4
C87	4030017340	S.CER C1005 CH 1H 010B-T	T	53.9/42.8
C88	4030017530	S.CER C1005 CH 1H 0R5B-T	T	55.2/42.3
C89	4030017550	S.CER C1005 CH 1H 1R5B-T	[A] T	53.9/41.8
	4030017550	S.CER C1005 CH 1H 1R5B-T	[M]	
	4030017340	S.CER C1005 CH 1H 010B-T	[J]	
	4030017340	S.CER C1005 CH 1H 010B-T	[B]	
	4030017340	S.CER C1005 CH 1H 010B-T	[N]	
C91	4030016790	S.CER C1005 JB 1E 103K-T	T	27.3/17.3
C92	4030017460	S.CER C1005 JB 1H 102K-T	T	24.6/20.3
C93	4030017680	S.CER C1005 CH 1H 820J-T	T	32.6/12.5
C94	4030017460	S.CER C1005 JB 1H 102K-T	B	30.5/12.5
C95	4030016790	S.CER C1005 JB 1E 103K-T	T	28.8/19.3
C96	4030016930	S.CER C1005 JB 1A 104K-T	B	32.7/6.1
C97	4030016930	S.CER C1005 JB 1A 104K-T	B	29.8/9.4
C98	4030016930	S.CER C1005 JB 1A 104K-T	B	89.3/7.4
C99	4030016930	S.CER C1005 JB 1A 104K-T	B	90.8/14.6
C100	4030016930	S.CER C1005 JB 1A 104K-T	B	86.1/15.6
C101	4030017710	S.CER C1005 CH 1H 181J-T	T	83.9/7.5
C102	4030016930	S.CER C1005 JB 1A 104K-T	T	106.7/34.7
C103	4030016930	S.CER C1005 JB 1A 104K-T	B	55.3/19.5
C104	4550000270	S.TAN TEESVA 1E 474M8R	B	76.6/32.9
C105	4030017420	S.CER C1005 CH 1H 470J-T	T	74.2/41.3
C107	4030016930	S.CER C1005 JB 1A 104K-T	B	72.9/43.4
C110	4030017420	S.CER C1005 CH 1H 470J-T	T	74.2/34.8
C111	4030016930	S.CER C1005 JB 1A 104K-T	B	73.9/28.3
C112	4030017460	S.CER C1005 JB 1H 102K-T	T	73/27.4
C113	4030017420	S.CER C1005 CH 1H 470J-T	T	74.2/28.3
C114	4030016790	S.CER C1005 JB 1E 103K-T	T	24.2/21.3
C115	4030016790	S.CER C1005 JB 1E 103K-T	T	22.5/21.3
C116	4030016790	S.CER C1005 JB 1E 103K-T	T	26.6/22.5
C119	4030017640	S.CER C1005 CH 1H 150J-T	T	20.3/27.9
C120	4030016790	S.CER C1005 JB 1E 103K-T	T	32.2/22.5
C123	4030017390	S.CER C1005 CH 1H 180J-T	T	40/28
C124	4030016930	S.CER C1005 JB 1A 104K-T	B	90.8/17.4
C126	4030016930	S.CER C1005 JB 1A 104K-T	T	82.7/21.2
C128	4030016930	S.CER C1005 JB 1A 104K-T	T	80/20.2
C129	4030016930	S.CER C1005 JB 1A 104K-T	B	63.7/16
C130	4030016930	S.CER C1005 JB 1A 104K-T	B	134.8/16.8
C131	4030017660	S.CER C1005 CH 1H 330J-T	B	137.5/23.8
C132	4030017660	S.CER C1005 CH 1H 330J-T	B	137.5/18.8
C133	4030017580	S.CER C1005 CH 1H 060C-T	[A] T	69/43.9
	4030017580	S.CER C1005 CH 1H 060C-T	[M]	
	4030017580	S.CER C1005 CH 1H 060C-T	[J]	
	4030017380	S.CER C1005 CH 1H 050B-T	[B]	
	4030017380	S.CER C1005 CH 1H 050B-T	[N]	
C134	4030017590	S.CER C1005 CH 1H 070C-T	T	70.3/43
C135	4030017590	S.CER C1005 CH 1H 070C-T	T	69/37.4
C136	4030017460	S.CER C1005 JB 1H 102K-T	B	84.1/27.8
C137	4030017670	S.CER C1005 CH 1H 390J-T	[A] T	70.3/30
	4030017670	S.CER C1005 CH 1H 390J-T	[M]	
	4030017670	S.CER C1005 CH 1H 390J-T	[J]	
	4030017630	S.CER C1005 CH 1H 120J-T	[B]	
	4030017630	S.CER C1005 CH 1H 120J-T	[N]	
C138	4030017640	S.CER C1005 CH 1H 150J-T	[A] T	69/30.9
	4030017640	S.CER C1005 CH 1H 150J-T	[M]	
	4030017640	S.CER C1005 CH 1H 150J-T	[J]	
	4030017620	S.CER C1005 CH 1H 100C-T	[B]	
	4030017620	S.CER C1005 CH 1H 100C-T	[N]	
C139	4030017630	S.CER C1005 CH 1H 120J-T	[A] T	70.3/36.5
	4030017630	S.CER C1005 CH 1H 120J-T	[M]	
	4030017630	S.CER C1005 CH 1H 120J-T	[J]	
	4030017620	S.CER C1005 CH 1H 100C-T	[B]	
	4030017620	S.CER C1005 CH 1H 100C-T	[N]	
C140	4030017460	S.CER C1005 JB 1H 102K-T	T	73/40.4
C141	4030017460	S.CER C1005 JB 1H 102K-T	T	73/33.9
C142	4030018860	S.CER C1005 JB 0J 105K-T	T	90.1/10.7
C143	4030017340	S.CER C1005 CH 1H 010B-T	T	64.7/31.3
C145	4030016790	S.CER C1005 JB 1E 103K-T	T	27.8/35.2
C147	4030016790	S.CER C1005 JB 1E 103K-T	T	35.1/35.2
C148	4030016790	S.CER C1005 JB 1E 103K-T	T	29.9/33.9
C149	4030016930	S.CER C1005 JB 1A 104K-T	B	76.5/18.7
C150	4030018560	S.CER C2012 JB 1A 475K-T	B	89/22
C151	4030016930	S.CER C1005 JB 1A 104K-T	T	111.1/46.3
C152	4030016930	S.CER C1005 JB 1A 104K-T	T	108.5/35.7
C153	4030017460	S.CER C1005 JB 1H 102K-T	T	110.3/35.6
C154	4030018860	S.CER C1005 JB 0J 105K-T	T	83.2/19.8
C155	4030017420	S.CER C1005 CH 1H 470J-T	T	110.3/37.9
C156	4030017910	S.CER C1005 JB 1H 152K-T	T	103.2/42.7
C157	4030017420	S.CER C1005 CH 1H 470J-T	T	110.7/47.2
C158	4030017430	S.CER C1005 CH 1H 101J-T	T	108.5/36.7
C159	4030017460	S.CER C1005 JB 1H 102K-T	B	118.5/9.4
C160	4030017460	S.CER C1005 JB 1H 102K-T	B	130.6/25.4
C161	4030017610	S.CER C1005 CH 1H 090C-T	[A] T	64.2/43
	4030017610	S.CER C1005 CH 1H 090C-T	[M]	
	4030017610	S.CER C1005 CH 1H 090C-T	[J]	
	4030017620	S.CER C1005 CH 1H 100C-T	[B]	
	4030017620	S.CER C1005 CH 1H 100C-T	[N]	

[MAIN UNIT] (For IC-F6060 series)

REF NO.	PARTS NO.	DESCRIPTION	M.	H/V LOCATION
C162	4030017380	S.CER C1005 CH 1H 050B-T	[A] T	68.6/45.2
	4030017380	S.CER C1005 CH 1H 050B-T	[M]	
	4030017380	S.CER C1005 CH 1H 050B-T	[J]	
	4030017620	S.CER C1005 CH 1H 100C-T	[B]	
	4030017620	S.CER C1005 CH 1H 100C-T	[N]	
C163	4030017640	S.CER C1005 CH 1H 150J-T	[A] T	64.2/36.5
	4030017640	S.CER C1005 CH 1H 150J-T	[M]	
	4030017640	S.CER C1005 CH 1H 150J-T	[J]	
	4030017390	S.CER C1005 CH 1H 180J-T	[B]	
	4030017390	S.CER C1005 CH 1H 180J-T	[N]	
C164	4030017380	S.CER C1005 CH 1H 050B-T	[A] T	61.6/44.8
	4030017380	S.CER C1005 CH 1H 050B-T	[M]	
	4030017380	S.CER C1005 CH 1H 050B-T	[J]	
	4030017570	S.CER C1005 CH 1H 040B-T	[B]	
	4030017570	S.CER C1005 CH 1H 040B-T	[N]	
C165	4030017630	S.CER C1005 CH 1H 120J-T	[A] T	60.3/45.2
	4030017630	S.CER C1005 CH 1H 120J-T	[M]	
	4030017630	S.CER C1005 CH 1H 120J-T	[J]	
	4030017620	S.CER C1005 CH 1H 100C-T	[B]	
	4030017620	S.CER C1005 CH 1H 100C-T	[N]	
C166	4030017380	S.CER C1005 CH 1H 050B-T	[A] T	68.6/38.7
	4030017380	S.CER C1005 CH 1H 050B-T	[M]	
	4030017380	S.CER C1005 CH 1H 050B-T	[J]	
	4030017580	S.CER C1005 CH 1H 060C-T	[B]	
	4030017580	S.CER C1005 CH 1H 060C-T	[N]	
C167	4030017640	S.CER C1005 CH 1H 150J-T	T	64.2/30
C168	4030017630	S.CER C1005 CH 1H 120J-T	[A] T	61.6/38.3
	4030017630	S.CER C1005 CH 1H 120J-T	[M]	
	4030017630	S.CER C1005 CH 1H 120J-T	[J]	
	4030017610	S.CER C1005 CH 1H 090C-T	[B]	
	4030017610	S.CER C1005 CH 1H 090C-T	[N]	
C169	4030017640	S.CER C1005 CH 1H 150J-T	[A] T	60.3/38.7
	4030017640	S.CER C1005 CH 1H 150J-T	[M]	
	4030017640	S.CER C1005 CH 1H 150J-T	[J]	
	4030017390	S.CER C1005 CH 1H 180J-T	[B]	
	4030017390	S.CER C1005 CH 1H 180J-T	[N]	
C170	4030017340	S.CER C1005 CH 1H 010B-T	T	65.6/31.3
C171	4030017570	S.CER C1005 CH 1H 040B-T	[A] T	68.6/32.2
	4030017570	S.CER C1005 CH 1H 040B-T	[M]	
	4030017570	S.CER C1005 CH 1H 040B-T	[J]	
	4030017560	S.CER C1005 CH 1H 2R5B-T	[B]	
	4030017600	S.CER C1005 CH 1H 080C-T	[A] T	61.6/31.8
	4030017600	S.CER C1005 CH 1H 080C-T	[M]	
	4030017600	S.CER C1005 CH 1H 080C-T	[J]	
	4030017570	S.CER C1005 CH 1H 040B-T	[B]	
	4030017570	S.CER C1005 CH 1H 040B-T	[N]	
C173	4030017620	S.CER C1005 CH 1H 100C-T	[A] T	60.2/32.2
	4030017620	S.CER C1005 CH 1H 100C-T	[M]	
	4030017620	S.CER C1005 CH 1H 100C-T	[J]	
	4030017580	S.CER C1005 CH 1H 060C-T	[B]	
	4030017580	S.CER C1005 CH 1H 060C-T	[N]	
C174	4030017640	S.CER C1005 CH 1H 150J-T	T	38.1/37.2
C175	4030016790	S.CER C1005 JB 1E 103K-T	B	41.4/39.4
C176	4030016930	S.CER C1005 JB 1A 104K-T	B	41.2/32.8
C177	4030017730	S.CER C1005 JB 1H 471K-T	B	42.1/32.8
C178	4030016790	S.CER C1005 JB 1E 103K-T	B	34.6/32.9
C180	4030017740	S.CER C1005 JB 1H 821K-T	T	108.8/47.5
C181	4030016930	S.CER C1005 JB 1A 104K-T	T	111.5/43.6
C182	4030016780	S.CER C1005 JB 1E 153K-T	T	112/39.9
C183	4030017420	S.CER C1005 CH 1H 470J-T	T	103.8/44.5
C184	4030017760	S.CER C1005 JB 1H 222K-T	T	105.4/47.5
C185	4030017690	S.CER C1005 CH 1H 121J-T	T	107.1/47.5
C186	4030016930	S.CER C1005 JB 1A 104K-T	T	62.6/40.9
C187	4030017460	S.CER C1005 JB 1H 102K-T	T	63.5/40.9
C188	4030016790	S.CER C1005 JB 1E 103K-T	T	62.6/34.4
C189	4030017460	S.CER C1005 JB 1H 102K-T	T	63.5/34.4
C190	4030017530	S.CER C1005 CH 1H 0R5B-T	T	58.6/42.7
C191	4030016790	S.CER C1005 JB 1E 103K-T	T	62.6/27.9
C192	4030017520	S.CER C1005 CH 1H 0R3B-T	[A] T	58.6/36.2
	4030017520	S.CER C1005 CH 1H 0R3B-T	[M]	
	4030017520	S.CER C1005 CH 1H 0R3B-T	[J]	
	4030017530	S.CER C1005 CH 1H 0R5B-T	[B]	
	4030017530	S.CER C1005 CH 1H 0R5B-T	[N]	
C193	4030017460	S.CER C1005 JB 1H 102K-T	T	63.5/27.9
C194	4030017530	S.CER C1005 CH 1H 0R5B-T	T	58.9/31.8
C195	4030016930	S.CER C1005 JB 1A 104K-T	B	40.3/30.2
C196	4030017730	S.CER C1005 JB 1H 471K-T	B	38.7/33.2
C197	4030016930	S.CER C1005 JB 1A 104K-T	B	38.7/32.3
C198	4030017730	S.CER C1005 JB 1H 471K-T	B	31.3/38.3
C199	4030016930	S.CER C1005 JB 1A 104K-T	B	31.3/39.2
C200	4030016930	S.CER C1005 JB 1A 104K-T	B	31.3/34.1
C201	4030017730	S.CER C1005 JB 1H 471K-T	B	31.3/35.9
C202	4030017460	S.CER C1005 JB 1H 102K-T	T	112/38.9
C203	4030017460	S.CER C1005 JB 1H 102K-T	B	100.5/47.4
C204	4030017700	S.CER C1005 CH 1H 151J-T	B	66.4/33.1
C205	4030018900	S.CER C1005 JB 0		

[MAIN UNIT] (For IC-F6060 series)

REF NO.	PARTS NO.	DESCRIPTION	M.	H/V LOCATION
C322	4030017350	S.CER C1005 CH 1H 020B-T	[A]	B 21.2/51.2
	4030017350	S.CER C1005 CH 1H 020B-T	[M]	
	4030017350	S.CER C1005 CH 1H 020B-T	[J]	
	4030017530	S.CER C1005 CH 1H 0R5B-T	[B]	
C324	4030017420	S.CER C1005 CH 1H 470J-T	T	90.1/41.7
	4030017460	S.CER C1005 JB 1H 102K-T	T	
C325	4030017460	S.CER C1005 JB 1H 102K-T	T	73.2/67.6
C326	4030017420	S.CER C1005 CH 1H 470J-T	B	40.5/67.3
C327	4030017460	S.CER C1005 JB 1H 102K-T	B	83.9/79.3
C328	4030017420	S.CER C1005 CH 1H 470J-T	B	82.9/79.3
C329	4030017400	S.CER C1005 CH 1H 220J-T	B	81.9/79.3
C330	4510008540	S.ELE EEE1CA100SR	T	96.7/53.9
C331	4510008540	S.ELE EEE1CA100SR	T	60.6/55.1
C332	4030017780	S.CER C1005 JB 1H 472K-T	B	53.5/66.1
C334	4030017460	S.CER C1005 JB 1H 102K-T	B	50.8/70.2
C335	4030017460	S.CER C1005 JB 1H 102K-T	B	48.7/69.4
C336	4030011030	S.CER GRM31M4C2H1R5CY21L (GRM42-6 CK)	[M]	T 14.3/56.9
	4030011030	S.CER GRM31M4C2H1R5CY21L (GRM42-6 CK)	[J]	
C337	4030017600	S.CER C1005 CH 1H 080C-T	[A]	B 28.2/53.7
	4030017600	S.CER C1005 CH 1H 080C-T	[M]	
	4030017600	S.CER C1005 CH 1H 080C-T	[J]	
	4030017380	S.CER C1005 CH 1H 050B-T	[B]	
	4030017380	S.CER C1005 CH 1H 050B-T	[N]	
C338	4510008540	S.ELE EEE1CA100SR	T	79.1/69.1
C339	4030017460	S.CER C1005 JB 1H 102K-T	T	79.1/62.1
C340	4030017460	S.CER C1005 JB 1H 102K-T	T	63.5/55.5
C341	4030016790	S.CER C1005 JB 1E 103K-T	T	68.1/52.3
C342	4030017200	S.CER GRM31BR32J102KY01L	T	26.8/61.7
C343	4030011050	S.CER GRM31M3C2H3R0CY21L (GRM42-6 CJ)	[A]	T 23/63.3
	4030011050	S.CER GRM31M3C2H3R0CY21L (GRM42-6 CJ)	[M]	
C344	4030011040	S.CER GRM31M4C2H2R0CY21L (GRM42-6 CK)	[B]	T 20.9/63.3
	4030011040	S.CER GRM31M4C2H2R0CY21L (GRM42-6 CK)	[N]	
C345	4030011050	S.CER GRM31M3C2H3R0CY21L (GRM42-6 CJ)	T	18.3/58.5
	4030011060	S.CER GRM31M2C2H4R0CY21L (GRM42-6 CH)	[M]	
C346	4030011060	S.CER GRM31M2C2H4R0CY21L (GRM42-6 CH)	[J]	T 10.3/61.7
	4030011050	S.CER GRM31M3C2H3R0CY21L (GRM42-6 CJ)	[B]	
C347	4030011070	S.CER GRM31M2C2H5R0CY21L (GRM42-6 CK)	[N]	T 34.3/58.3
	4030017520	S.CER C1005 CH 1H 0R3B-T	T	
C348	4030017460	S.CER C1005 JB 1H 102K-T	B	33.7/61.7
C349	4030011060	S.CER GRM31M2C2H4R0CY21L (GRM42-6 CH)	T	39.7/61.7
C350	4030011070	S.CER GRM31M2C2H5R0CY21L (GRM42-6 CH)	[A]	T 12.9/65.2
	4030011060	S.CER GRM31M2C2H4R0CY21L (GRM42-6 CH)	[M]	
C351	4030011060	S.CER GRM31M2C2H4R0CY21L (GRM42-6 CH)	[J]	T 110.8/66.5
	4030011050	S.CER GRM31M3C2H3R0CY21L (GRM42-6 CJ)	[B]	
C352	4030017460	S.CER C1005 JB 1H 102K-T	[N]	124.6/59.7
C353	4550006250	S.TAN TEESVA 1A 106M8R	T	124/61.3
C354	4550006250	S.TAN TEESVA 1A 106M8R	B	112.9/61.7
C355	4030017420	S.CER C1005 CH 1H 470J-T	B	112.6/60.1
C356	4030011070	S.CER GRM31M2C2H5R0CY21L (GRM42-6 CH)	[A]	T 15.7/65.2
	4030011070	S.CER GRM31M2C2H5R0CY21L (GRM42-6 CH)	[M]	
C357	4030011070	S.CER GRM31M2C2H5R0CY21L (GRM42-6 CH)	[J]	T 4.2/63.3
	4030011060	S.CER GRM31M2C2H4R0CY21L (GRM42-6 CK)	[B]	
C358	4030011060	S.CER GRM31M2C2H4R0CY21L (GRM42-6 CH)	[N]	T 10.7/61.4
	4030011060	S.CER GRM31M2C2H4R0CY21L (GRM42-6 CH)	[M]	
C359	4030011030	S.CER GRM31M4C2H1R5CY21L (GRM42-6 CK)	[B]	T 107.6/51.1
	4030011030	S.CER GRM31M4C2H1R5CY21L (GRM42-6 CK)	[N]	
C360	4030009530	S.CER C1608 CH 1H 030B-T	B	9.9/59.5
C361	4030006860	S.CER C1608 JB 1H 102K-T	B	8.7/54
C362	4030017460	S.CER C1005 JB 1H 102K-T	T	101.3/52.9
C363	4030017460	S.CER C1005 JB 1H 102K-T	T	106.3/21.1
C364	4510008540	S.ELE EEE1CA100SR	T	139.1/31.9
C365	4550007650	S.TAN F931V105MAABMA	B	107.7/65.1
C366	4550007650	S.TAN F931V105MAABMA	B	105.6/65.1
C367	4550007650	S.TAN F931V105MAABMA	B	103.5/65.1
C368	4550007650	S.TAN F931V105MAABMA	B	101.4/65.1
C369	4030011070	S.CER GRM31M2C2H5R0CY21L (GRM42-6 CH)	T	15.3/81.1

[MAIN UNIT] (For IC-F6060 series)

REF NO.	PARTS NO.	DESCRIPTION	M.	H/V LOCATION
C370	4030011050	S.CER GRM31M3C2H3R0CY21L (GRM42-6 CJ)	[A]	T 5.3/81.1
	4030011060	S.CER GRM31M2C2H4R0CY21L (GRM42-6 CH)	[M]	
C371	4030011060	S.CER GRM31M2C2H4R0CY21L (GRM42-6 CH)	[J]	T 2.9/80.8
	4030011040	S.CER GRM31M4C2H2R0CY21L (GRM42-6 CK)	[B]	
C372	4030011040	S.CER GRM31M4C2H2R0CY21L (GRM42-6 CK)	[N]	B 8.3/79.6
	4030017460	S.CER C1005 JB 1H 102K-T	B	
C373	4030016790	S.CER C1005 JB 1E 103K-T	B	130.6/51.7
C374	4030016930	S.CER C1005 JB 1A 104K-T	B	132.8/51.3
C375	4030016930	S.CER C1005 JB 1A 104K-T	B	132.4/54.6
C377	4030017460	S.CER C1005 JB 1H 102K-T	T	104.7/52.9
C378	4030017460	S.CER C1005 JB 1H 102K-T	T	105.1/80.9
C379	4030016930	S.CER C1005 JB 1A 104K-T	T	110.5/84.5
C380	4030017460	S.CER C1005 JB 1H 102K-T	B	120.9/85.3
C381	4030016790	S.CER C1005 JB 1E 103K-T	B	135.9/70.5
C382	4510008680	S.ELE EEE1EA220SP	T	68.6/63.4
C383	4030017460	S.CER C1005 JB 1H 102K-T	T	135.9/71.5
C384	4510008870	S.ELE EEE1AA471UP	T	129.9/64.9
C386	4030016930	S.CER C1005 JB 1A 104K-T	B	138.8/53.7
C387	4030017730	S.CER C1005 JB 1H 471K-T	B	135.4/51.3
C388	4030018860	S.CER C1005 JB 0J 105K-T	B	138.7/52.2
C389	4030016930	S.CER C1005 JB 1A 104K-T	B	139.1/48.5
C390	4030016930	S.CER C1005 JB 1A 104K-T	B	137.8/55.4
C391	4030016930	S.CER C1005 JB 1A 104K-T	T	107.6/80
C392	4030017460	S.CER C1005 JB 1H 102K-T	B	127.8/76.8
C393	4030017460	S.CER C1005 JB 1H 102K-T	B	98.3/79.2
C394	4030017420	S.CER C1005 CH 1H 470J-T	B	115.4/68
C395	4030017460	S.CER C1005 JB 1H 102K-T	B	126.5/77.2
C397	4030017460	S.CER C1005 JB 1H 102K-T	B	100.8/86.3
C398	4030017420	S.CER C1005 CH 1H 470J-T	B	99.8/86.3
C399	4030018860	S.CER C1005 JB 0J 105K-T	B	134.5/34.8
C400	4030016930	S.CER C1005 JB 1A 104K-T	B	136.9/37
C411	4510008780	S.ELE EEE1EA471P	T	117.2/63.6
C412	4510008780	S.ELE EEE1EA471P	T	132.7/54.3
C413	4030018900	S.CER C1005 JB 0J 474K-T	B	135.1/46.8
C414	4510008540	S.ELE EEE1CA100SR	T	113.9/50.1
C415	4030016930	S.CER C1005 JB 1A 104K-T	B	103/23.8
C416	4030016930	S.CER C1005 JB 1A 104K-T	B	121/51.5
C417	4030016790	S.CER C1005 JB 1E 103K-T	B	113.8/51.7
C418	4030017460	S.CER C1005 JB 1H 102K-T	B	102.3/57.9
C419	4030016790	S.CER C1005 JB 1E 103K-T	T	42.5/39.1
C420	4030017500	S.CER C1005 CH 1H 560J-T	T	39.8/37.2
C421	4030016930	S.CER C1005 JB 1A 104K-T	B	36.1/24.4
C422	4030016790	S.CER C1005 JB 1E 103K-T	T	42.9/33
C423	4030007080	S.CER C1608 CH 1H 390J-T	T	33.6/38.9
C424	4030016930	S.CER C1005 JB 1A 104K-T	T	33.6/41.2
C425	4030017460	S.CER C1005 JB 1H 102K-T	B	134.8/66.1
C426	4030011030	S.CER GRM31M4C2H1R5CY21L (GRM42-6 CK)	[A]	T 29.2/75.2
	4030011020	S.CER GRM31M4C2H1R0CY21L (GRM42-6 CK)	[M]	
C427	4030011020	S.CER GRM31M4C2H1R0CY21L (GRM42-6 CK)	[J]	T 19.5/36.6
	4030011020	S.CER GRM31M4C2H1R0CY21L (GRM42-6 CK)	[B]	
C428	4030017530	S.CER C1005 CH 1H 0R5B-T	[N]	B 24.6/10.2
	4030017530	S.CER C1005 CH 1H 0R5B-T	[A]	
C429	4030017340	S.CER C1005 CH 1H 010B-T	[M]	T 138.4/51
	4030017340	S.CER C1005 CH 1H 010B-T	[J]	
C430	4030018110	S.CER C1005 JB 1H 272K-T	[B]	119.4/69.8
C431	4030016790	S.CER C1005 JB 1E 103K-T	T	110.4/10.7
C432	4030017460	S.CER C1005 JB 1H 102K-T	B	114.2/11.7
C433	4030017420	S.CER C1005 CH 1H 470J-T	B	119.4/69.8
C434	4030017460	S.CER C1005 JB 1H 102K-T	B	119.4/70.8
C435	4030016930	S.CER C1005 JB 1A 104K-T	T	8.9/7.8
C436	4030016930	S.CER C1005 JB 1A 104K-T	B	56/38.5
J1	6510026770	S.CON AXK540147YG	T	124.5/9.7
J2	6510026770	S.CON AXK540147YG	T	101.5/9.7
J3	6510021301	S.CON 52365-1071	T	90.3/62.6
J5	6510023092	S.CON 20FLT-SM2-TB(LF)(SN)(M)	T	108.3/83.2
J7	6450000140	CON HSJ0807-01-010	T	
J10	6510023092	S.CON 20FLT-SM2-TB(LF)(SN)(M)	T	71/7
W1	7030012290	JUM RDS2TOR0		
W2	8900016250	CAB OPC-1701 <CMI>T/H!		
EP2	6910015370	S.BEA ACZ1005Y-102-T	B	60.4/28.3
EP3	6910015370	S.BEA ACZ1005Y-102-T	T	85.7/30
EP4	6910010280	BEA HF70BB9.5X10.4X4.9		
EP5	6910010280	BEA HF70BB9.5X10.4X4.9		
EP6	6910015370	S.BEA ACZ1005Y-102-T	T	79.6/41.5
EP7	6910011560	BEA HF70BB4.5X5X1.6		

M.=Mounted side (T: Mounted on the Top side, B: Mounted on the Bottom side) S.=Surface mount

[FRONT UNIT]

REF NO.	PARTS NO.	DESCRIPTION	M.	H/V LOCATION
IC501	1130009121	S.IC S1D15206F00A200	B	33.1/19.5
IC502	1110005771	S.IC S-80942CNMC-G9CT2G	B	61.4/9.7
IC503	1140010771	S.IC HD64F3687FPV(EMPTY)	B	62.1/25.2
IC504	1130007111	S.IC TC7W04FU(TE12L,F)	B	73.9/26.3
IC505	1110005310	S.IC AN6123MS	B	10/8.4
IC506	1110005350	S.IC NJM2870F05-TE1-#FZZB	B	84.9/9.9
IC507	1130006221	S.IC TC4W53FU(TE12L,F)	B	6.5/19
IC508	1130008561	S.IC TC75S51F(TE85L,F)	B	74/11.3
Q501	1590001050	S.TRA DTC114TUA T106	B	15.1/32.9
Q502	1590001050	S.TRA DTC114TUA T106	B	18/32.9
Q503	1590001330	S.TRA DTA114EUA T106	B	77/24.7
Q504	1530002851	S.TRA 2SC4116-BL(TE85R,F)	B	91.5/22.4
Q505	1590001050	S.TRA DTC114TUA T106	B	92.5/18.8
Q506	1590000680	S.TRA DTC114EUA T106	B	77/27.4
Q507	1590001050	S.TRA DTC114TUA T106	B	51.4/30.2
D501	1750000370	S.DIO DA221 TL	T	3.5/27.1
D502	1750000370	S.DIO DA221 TL	T	3.5/25
D503	1750000370	S.DIO DA221 TL	T	3.5/22.9
D504	1790001261	S.DIO MA25077G0L	B	50.9/23.1
D505	1790001251	S.DIO MA251110GL	B	3.3/23.3
D506	1790001251	S.DIO MA251110GL	B	82.1/21.7
D507	1790001251	S.DIO MA251110GL	B	79.7/25.8
D508	1790000951	S.ZEN MAZ8056GML	T	4.8/19.7
D509	1790000951	S.ZEN MAZ8056GML	T	8.6/19.7
D510	1790000951	S.ZEN MAZ8056GML	T	10.4/19.7
X501	6050011720	S.XTA CR-764 SMD-49TB 19.6608 MHz <KDS>	B	49.6/18.9
L501	6200003640	S.COI MLF1608E 100K-T	B	12/19.1
R501	7030003810	S.RES ERJ3GEYJ 125 V (1.2M)	B	46/28.8
R502	7030003810	S.RES ERJ3GEYJ 125 V (1.2M)	B	46.8/23.8
R503	7310005510	S.TRI TMC3ADCS5X (470K)	B	45.5/26.3
R504	7030005120	S.RES ERJ2GEJ 102 X (1K)	B	8/29.3
R505	7030005120	S.RES ERJ2GEJ 102 X (1K)	B	10/29.3
R506	7030005120	S.RES ERJ2GEJ 102 X (1K)	B	12/29.3
R507	7030005010	S.RES ERJ2GEJ 681 X (680)	T	14.3/37.2
R508	7030005120	S.RES ERJ2GEJ 102 X (1K)	T	14.3/36.3
R509	7510001730	S.THE ERTJOEP 473J	B	59.9/17.1
R510	7030005120	S.RES ERJ2GEJ 102 X (1K)	B	61.1/17.1
R511	7030005530	S.RES ERJ2GEJ 100 X (10)	B	57.1/19.4
R512	7030008010	S.RES ERJ2GEJ 123 X (12K)	B	52/22.7
R513	7030005050	S.RES ERJ2GEJ 103 X (10K)	B	63.8/10.2
R514	7030005160	S.RES ERJ2GEJ 105 X (1M)	B	56.1/20.7
R515	7030008010	S.RES ERJ2GEJ 123 X (12K)	B	52.3/23.9
R516	7030008010	S.RES ERJ2GEJ 123 X (12K)	B	49.5/23.9
R517	7410001140	S.ARR EXB28V104JX	B	66.5/10.8
R518	7410001140	S.ARR EXB28V104JX	B	67.5/19.2
R519	7030005090	S.RES ERJ2GEJ 104 X (100K)	B	51.5/26.9
R520	7030005090	S.RES ERJ2GEJ 104 X (100K)	B	71.6/26.8
R522	7030005090	S.RES ERJ2GEJ 104 X (100K)	T	3.3/17.2
R523	7030004980	S.RES ERJ2GEJ 101 X (100)	B	13.2/10.9
R524	7030005090	S.RES ERJ2GEJ 104 X (100K)	B	71.6/28.4
R525	7030005240	S.RES ERJ2GEJ 473 X (47K)	B	80.2/27.2
R526	7030007300	S.RES ERJ2GEJ 332 X (3.3K)	B	79/24.4
R528	7030005090	S.RES ERJ2GEJ 104 X (100K)	B	71.7/24.1
R529	7030005090	S.RES ERJ2GEJ 104 X (100K)	B	82.1/19.6
R530	7030005160	S.RES ERJ2GEJ 105 X (1M)	B	5.4/10
R531	7030009280	S.RES ERJ2GEJ 391 X	B	92/20.6
R532	7030005120	S.RES ERJ2GEJ 102 X (1K)	B	91.4/24.2
R533	7030007290	S.RES ERJ2GEJ 222 X (2.2K)	B	91.4/25.2
R534	7030009140	S.RES ERJ2GEJ 272 X (2.7K)	B	90.6/20.2
R535	7030005090	S.RES ERJ2GEJ 104 X (100K)	B	82.4/31.4
R536	7030005050	S.RES ERJ2GEJ 103 X (10K)	B	77.8/22.9
R537	7030005090	S.RES ERJ2GEJ 104 X (100K)	T	7.2/19.2
R538	7030005090	S.RES ERJ2GEJ 104 X (100K)	T	6.2/19.2
R539	7030010040	S.RES ERJ2GEJ-JPW	B	76/15.9
R540	7030009290	S.RES ERJ2GEJ 562 X (5.6K)	B	4.3/10.9
R541	7030007290	S.RES ERJ2GEJ 222 X (2.2K)	B	3.3/16.6
R542	7030009160	S.RES ERJ2GEJ 181 X (180)	B	89.8/24.2
R543	7030009160	S.RES ERJ2GEJ 181 X (180)	B	89.8/25.2
R545	7030005240	S.RES ERJ2GEJ 473 X (47K)	T	11.8/19.2
R546	7210003050	VAR EVU-F2KFK3 B14 (10KB)		
R547	7030005120	S.RES ERJ2GEJ 102 X (1K)	T	11.8/17.2
R548	7030005120	S.RES ERJ2GEJ 102 X (1K)	T	6.8/17.2
R549	7030005120	S.RES ERJ2GEJ 102 X (1K)	T	9.3/17.2
R550	7030005240	S.RES ERJ2GEJ 473 X (47K)	B	10.9/19.4
R551	7030007300	S.RES ERJ2GEJ 332 X (3.3K)	B	11/8.5
R552	7030004990	S.RES ERJ2GEJ 221 X (220)	B	10.1/5.8
R553	7030007290	S.RES ERJ2GEJ 222 X (2.2K)	B	75.2/8.7

[FRONT UNIT]

REF NO.	PARTS NO.	DESCRIPTION	M.	H/V LOCATION
R554	7030007290	S.RES ERJ2GEJ 222 X (2.2K)	[A]	B 71.4/12.4
	7030007290	S.RES ERJ2GEJ 222 X (2.2K)	[M]	
	7030007290	S.RES ERJ2GEJ 222 X (2.2K)	[J]	
	7030007290	S.RES ERJ2GEJ 222 X (2.2K)	[B]	
	7030007290	S.RES ERJ2GEJ 222 X (2.2K)	[N]	
	7030009140	S.RES ERJ2GEJ 272 X (2.7K)	[C]	
	7030009140	S.RES ERJ2GEJ 272 X (2.7K)	[O]	
	7030009140	S.RES ERJ2GEJ 272 X (2.7K)	[K]	
	7030009140	S.RES ERJ2GEJ 272 X (2.7K)	[D]	
	7030009140	S.RES ERJ2GEJ 272 X (2.7K)	[P]	
	7030009140	S.RES ERJ2GEJ 272 X (2.7K)	[E]	
	7030009140	S.RES ERJ2GEJ 272 X (2.7K)	[F]	
	7030009140	S.RES ERJ2GEJ 272 X (2.7K)	[G]	
	7030009140	S.RES ERJ2GEJ 272 X (2.7K)	[L]	
	7030009140	S.RES ERJ2GEJ 272 X (2.7K)	[I]	
	7030009140	S.RES ERJ2GEJ 272 X (2.7K)	[H]	
	7030009140	S.RES ERJ2GEJ 272 X (2.7K)	[Q]	
	7030009140	S.RES ERJ2GEJ 272 X (2.7K)	[R]	
R555	7030005220	S.RES ERJ2GEJ 223 X (22K)	[A]	B 71.4/11.5
	7030005220	S.RES ERJ2GEJ 223 X (22K)	[M]	
	7030005220	S.RES ERJ2GEJ 223 X (22K)	[J]	
	7030005220	S.RES ERJ2GEJ 223 X (22K)	[B]	
	7030005220	S.RES ERJ2GEJ 223 X (22K)	[N]	
	7030008290	S.RES ERJ2GEJ 183 X (18K)	[C]	
	7030008290	S.RES ERJ2GEJ 183 X (18K)	[O]	
	7030008290	S.RES ERJ2GEJ 183 X (18K)	[K]	
	7030008290	S.RES ERJ2GEJ 183 X (18K)	[D]	
	7030008290	S.RES ERJ2GEJ 183 X (18K)	[P]	
	7030008290	S.RES ERJ2GEJ 183 X (18K)	[E]	
	7030008290	S.RES ERJ2GEJ 183 X (18K)	[F]	
	7030008290	S.RES ERJ2GEJ 183 X (18K)	[G]	
	7030008290	S.RES ERJ2GEJ 183 X (18K)	[L]	
	7030008290	S.RES ERJ2GEJ 183 X (18K)	[I]	
	7030008290	S.RES ERJ2GEJ 183 X (18K)	[H]	
	7030008290	S.RES ERJ2GEJ 183 X (18K)	[Q]	
	7030008290	S.RES ERJ2GEJ 183 X (18K)	[R]	
R556	7030005050	S.RES ERJ2GEJ 103 X (10K)	[A]	B 73.2/8.7
R557	7030005050	S.RES ERJ2GEJ 103 X (10K)	[M]	B 71.8/10.2
R558	7030005060	S.RES ERJ2GEJ 333 X (33K)	[A]	B 74/13.5
	7030005060	S.RES ERJ2GEJ 333 X (33K)	[M]	
	7030005060	S.RES ERJ2GEJ 333 X (33K)	[J]	
	7030005060	S.RES ERJ2GEJ 333 X (33K)	[B]	
	7030005060	S.RES ERJ2GEJ 333 X (33K)	[N]	
	7030008010	S.RES ERJ2GEJ 123 X (12K)	[C]	
	7030008010	S.RES ERJ2GEJ 123 X (12K)	[O]	
	7030008010	S.RES ERJ2GEJ 123 X (12K)	[K]	
	7030008010	S.RES ERJ2GEJ 123 X (12K)	[D]	
	7030008010	S.RES ERJ2GEJ 123 X (12K)	[P]	
	7030008010	S.RES ERJ2GEJ 123 X (12K)	[E]	
	7030008010	S.RES ERJ2GEJ 123 X (12K)	[F]	
	7030008010	S.RES ERJ2GEJ 123 X (12K)	[G]	
	7030008010	S.RES ERJ2GEJ 123 X (12K)	[L]	
	7030008010	S.RES ERJ2GEJ 123 X (12K)	[I]	
	7030008010	S.RES ERJ2GEJ 123 X (12K)	[H]	
	7030008010	S.RES ERJ2GEJ 123 X (12K)	[Q]	
	7030008010	S.RES ERJ2GEJ 123 X (12K)	[R]	
R559	7030005090	S.RES ERJ2GEJ 104 X (100K)	[A]	B 11/20.8
R560	7030005090	S.RES ERJ2GEJ 104 X (100K)	[M]	T 6.2/20.8
C501	4030016930	S.CER C1005 JB 1A 104K-T	[A]	B 41.8/30.2
C502	4030016930	S.CER C1005 JB 1A 104K-T	[M]	B 40.9/30.2
C503	4030016930	S.CER C1005 JB 1A 104K-T	[J]	B 42.7/30.2
C504	4030016930	S.CER C1005 JB 1A 104K-T	[B]	B 43.6/30.2
C505	4030016930	S.CER C1005 JB 1A 104K-T	[N]	B 44.5/30.2
C506	4030017490	S.CER C1608 JB 1A 105K-T	[C]	B 44.7/23.2
C507	4030017460	S.CER C1005 JB 1H 102K-T	[O]	B 46.1/22.7
C508	4030017490	S.CER C1608 JB 1A 105K-T	[K]	B 43.4/23.2
C509	4030017730	S.CER C1005 JB 1H 471K-T	[D]	B 13.1/33.3
C510	4030017730	S.CER C1005 JB 1H 471K-T	[P]	B 18.6/30.5
C511	4030016930	S.CER C1005 JB 1E 103K-T	[E]	B 58.3/17.1
C512	4030016930	S.CER C1005 JB 1A 104K-T	[F]	B 62/17.1
C513	4030017030	S.CER C1005 JB 1A 273K-T	[G]	B 59.1/10.2
C514	4030016930	S.CER C1005 JB 1A 104K-T	[L]	B 58.3/18.3
C515	4030017630	S.CER C1005 CH 1H 120J-T	[I]	B 57.1/17.8
C516	4030017580	S.CER C1005 CH 1H 060C-T	[H]	B 48.9/22.7
C517	4030016930	S.CER C1005 JB 1E 103K-T	[Q]	B 52.9/22.7
C518	4030017640	S.CER C1005 CH 1H 150J-T	[R]	B 49.8/22.7
C519	4030016930	S.CER C1005 JB 1A 104K-T	[A]	B 53.8/22.7
C520	4030017420	S.CER C1005 CH 1H 470J-T	[M]	T 12.5/36.3
C521	4030017460	S.CER C1005 JB 1H 102K-T	[J]	B 78.8/27.5
C522	4550006480	S.TAN TEESVA 1C 475M8R	[B]	B 87.7/9.8
C523	4550006250	S.TAN TEESVA 1A 106M8R	[N]	B 12.8/7.6
C524	4550006250	S.TAN TEESVA 1A 106M8R	[I]	B 7.2/7.6
C525	4030017330	S.CER C1005 JF 1C 104Z-T	[H]	B 85.7/7.7
C526	4030016790	S.CER C1005 JB 1E 103K-T	[G]	B 84.1/7.7
C527	4030017420	S.CER C1005 CH 1H 470J-T	[F]	T 5.9/17.2
C528	4030017460	S.CER C1005 JB 1H 102K-T	[E]	T 8.4/17.2
C529	4550006250	S.TAN TEESVA 1A 106M8R	[D]	B 82.1/9.8
C530	4030016930	S.CER C1005 JB 1A 104K-T	[C]	B 84.1/12.1
C531	4030017460	S.CER C1005 JB 1H 102K-T	[B]	B 79/22.5
C533	4030017460	S.CER C1005 JB 1H 102K-T	[A]	B 80/22.5
C534	4030017420	S.CER C1005 CH 1H 470J-T	[M]	B 76.2/22.9
C535	4030016930	S.CER C1005 JB 1A 104K-T	[J]	B 5.4/9.1
C536	4030018860	S.CER C1005 JB 0J 105K-T	[N]	B 3.3/18.2
C537	4030017460	S.CER C1005 JB 1H 102K-T	[I]	B 14/25
C538	4030017330	S.CER C1005 JF 1C 104Z-T	[H]	B 6/10.9
C539	4030017420	S.CER C1005 CH 1H 470J-T	[G]	T 10.9/17.2
C540	4030017460	S.CER C1005 JB 1H 102K-T	[F]	B 10.9/17.8
C541	4030017420	S.CER C1005 CH 1H 470J-T	[E]	B 8.5/10.9
C543	4030017420	S.CER C1005 CH 1H 470J-T	[D]	B 77.6/16.7
C544	4030017420	S.CER C1005 CH 1H 470J-T	[C]	B 79.8/16.7
C545	4030017420	S.CER C1005 CH 1H 470J-T	[B]	B 77.6/15.8
C546	4030017420	S.CER C1005 CH 1H 470J-T	[A]	B 74/15.3
C547	4030017460	S.CER C1005 JB 1H 102K-T	[M]	B 74/16.2

M.=Mounted side (T: Mounted on the Top side, B: Mounted on the Bottom side)
S.=Surface mount

[FRONT UNIT]

REF NO.	PARTS NO.	DESCRIPTION	M.	H/V LOCATION
C548	4030017490	S.CER C1608 JB 1A 105K-T	B	9.7/19.3
C549	4030016930	S.CER C1005 JB 1A 104K-T	B	3.7/21.2
C550	4030018900	S.CER C1005 JB 0J 474K-T	B	70.1/11.9
C551	4030018860	S.CER C1005 JB 0J 105K-T	B	70.9/10.2
C552	4030017460	S.CER C1005 JB 1H 102K-T	B	75.2/6.9
C553	4030017460	S.CER C1005 JB 1H 102K-T	B	71.4/13.3
C554	4030016790	S.CER C1005 JB 1E 103K-T	B	74.2/8.7
C555	4030017460	S.CER C1005 JB 1H 102K-T	[A] B	74/14.4
	4030017460	S.CER C1005 JB 1H 102K-T	[M]	
	4030017460	S.CER C1005 JB 1H 102K-T	[J]	
	4030017460	S.CER C1005 JB 1H 102K-T	[B]	
	4030017460	S.CER C1005 JB 1H 102K-T	[N]	
	4030018920	S.CER C1005 JB 1H 392K-T	[C]	
	4030018920	S.CER C1005 JB 1H 392K-T	[O]	
	4030018920	S.CER C1005 JB 1H 392K-T	[K]	
	4030018920	S.CER C1005 JB 1H 392K-T	[D]	
	4030018920	S.CER C1005 JB 1H 392K-T	[P]	
	4030018920	S.CER C1005 JB 1H 392K-T	[E]	
	4030018920	S.CER C1005 JB 1H 392K-T	[F]	
	4030018920	S.CER C1005 JB 1H 392K-T	[G]	
	4030018920	S.CER C1005 JB 1H 392K-T	[L]	
	4030018920	S.CER C1005 JB 1H 392K-T	[I]	
	4030018920	S.CER C1005 JB 1H 392K-T	[H]	
	4030018920	S.CER C1005 JB 1H 392K-T	[Q]	
	4030018920	S.CER C1005 JB 1H 392K-T	[R]	
C556	4550006480	S.TAN TEESVA 1C 475M8R	B	76.9/10.2
J501	6510022022	S.CON 14FLT-SM2-TB(LF)(SN)(M)	B	88/28.5
J502	6510023092	S.CON 20FLT-SM2-TB(LF)(SN)(M)	B	75.5/19.5
J503	6450002210	CON 3017-8821 <KIN>		
DS501	5030003020	LCD L6-0226TVM-3 <TES>		
DS502	5040002670	S.LED CL-165HR/YG	T	18.2/35.9
DS503	5040002310	S.LED SML-311YTT86	T	32.8/6.5
DS504	5040002310	S.LED SML-311YTT86	T	46.1/6.3
DS505	5040002310	S.LED SML-311YTT86	T	59.8/6.3
DS506	5040002310	S.LED SML-311YTT86	T	92.3/24.5
DS507	5040002310	S.LED SML-311YTT86	T	73.1/6.5
DS508	5040002310	S.LED SML-311YTT86	T	31.7/26
DS509	5040002310	S.LED SML-311YTT86	T	40.2/26
DS510	5040002310	S.LED SML-311YTT86	T	48.7/26
DS511	5040002310	S.LED SML-311YTT86	T	74.2/26
DS512	5040002310	S.LED SML-311YTT86	T	65.7/26
DS513	5040002310	S.LED SML-311YTT86	T	57.2/26
SP501	2510001400	SPE 3050S-E6227 <PRI>		
W501	8900012711	CAB OPC-1297A (P0.5,N20,L62) <TJM>		
W502	7030012290	JUM RDS2T0R0		
W503	7030012290	JUM RDS2T0R0		
EP502	8930072220	LCD SRCN-2979-SP-N-W (SHJ)		

[CONNECT UNIT]

REF NO.	PARTS NO.	DESCRIPTION	M.	H/V LOCATION
C601	4030017420	S.CER C1005 CH 1H 470J-T	T	12.7/4.6
C602	4030017420	S.CER C1005 CH 1H 470J-T	T	15.4/4.6
C603	4030017420	S.CER C1005 CH 1H 470J-T	T	18.2/4.6
C604	4030017420	S.CER C1005 CH 1H 470J-T	T	19.6/4.6
C605	4030017420	S.CER C1005 CH 1H 470J-T	T	20.9/4.6
C606	4030017420	S.CER C1005 CH 1H 470J-T	T	25.1/4.6
C607	4030017420	S.CER C1005 CH 1H 470J-T	T	37.5/13.2
C608	4030017420	S.CER C1005 CH 1H 470J-T	T	16.8/4.6
C609	4030017420	S.CER C1005 CH 1H 470J-T	T	40.3/13.2
C610	4030017420	S.CER C1005 CH 1H 470J-T	T	41.7/4.6
J601	6510025240	S.CON IMSA-9631S-20Y912	[A] B	32.2/16.2
	6510025240	S.CON IMSA-9631S-20Y912	[M]	
	6510025240	S.CON IMSA-9631S-20Y912	[J]	
	6510025240	S.CON IMSA-9631S-20Y912	[B]	
	6510025240	S.CON IMSA-9631S-20Y912	[N]	
	6510025240	S.CON IMSA-9631S-20Y912	[C]	
	6510025240	S.CON IMSA-9631S-20Y912	[O]	
	6510025240	S.CON IMSA-9631S-20Y912	[K]	
	6510025240	S.CON IMSA-9631S-20Y912	[D]	
	6510025240	S.CON IMSA-9631S-20Y912	[P]	
	6510025240	S.CON IMSA-9631S-20Y912	[E]	
	6510025240	S.CON IMSA-9631S-20Y912	[F]	
	6510025240	S.CON IMSA-9631S-20Y912	[G]	
	6510025240	S.CON IMSA-9631S-20Y912	[L]	
	6510025240	S.CON IMSA-9631S-20Y912	[I]	
	6510025240	S.CON IMSA-9631S-20Y912	[H]	
	6510025240	S.CON IMSA-9631S-20Y912	[Q]	
	6510025240	S.CON IMSA-9631S-20Y912	[R]	
J602	6510023210	CON CD6125SA1J0 <CVI>		
W601	8900012711	CAB OPC-1297A (P0.5,N20,L62) <TJM>		

M.=Mounted side (T: Mounted on the Top side, B: Mounted on the Bottom side)
S.=Surface mount

[MAIN-A UNIT] (For MDC compatible versions)

REF NO.	PARTS NO.	DESCRIPTION	M.	H/V LOCATION
IC1	1110005340	S.IC NJM12902V-TE1-#ZZZB	T	82.3/12.9
IC2	1110006221	S.IC AK2346P-E2/P	B	44.7/11.7
IC3	1140013200	S.IC CD4053BPWR	B	58.7/9.3
IC4	1130010100	S.IC LMX2352TMX/NOPB	T	83.3/46
IC5	1110003491	S.IC TA31136FNG(D,EL)	T	28/13.9
IC6	1190001350	S.IC M62364FP 600D	B	84.9/12.9
IC7	1110005340	S.IC NJM12902V-TE1-#ZZZB	T	107.3/43
IC8	1140013200	S.IC CD4053BPWR	B	58.7/16.1
IC9	1130012960	S.IC BU8872FS-E2	B	133.1/21.3
IC10	1190002051	S.IC SPM5001-TL-E	B	33.8/36.9
IC12	1190001340	S.IC M62334FP 600C	B	9.1/25.7
IC13	1110005771	S.IC S-80942CNMC-G9CT2G	B	126/44.8
IC14	1140014550	S.IC HD64F2506RFC26DV(EMPTY)	B	111.8/35.7
IC15	1150002211	IC RA55H4047M-121 [C]		
	1150002092	IC RA30H4047M-121 [O]		
	1150002092	IC RA30H4047M-121 [K]		
	1150002221	IC RA55H4452M-121 [D]		
	1150002032	IC RA30H4452M-121 [P]		
	1150002211	IC RA55H4047M-121 [E]		
	1150002211	IC RA55H4047M-121 [F]		
	1150002211	IC RA55H4047M-121 [G]		
	1150002092	IC RA30H4047M-121 [L]		
	1150002211	IC RA55H4047M-121 [I]		
	1150002221	IC RA55H4452M-121 [H]		
	1150002092	IC RA30H4047M-121 [R]		
IC16	1140014160	S.IC 24LC1025T-I/SM <SEI>	B	133.3/29
IC17	1110002751	S.IC TA75S01F(TE85R,F)	B	55.8/66.7
IC18	1180000970	S.IC AN78L05M-(E1)	B	113/65.3
IC19	1120002510	S.IC DS14C232TM S	T	104.7/69
IC20	1180001252	S.IC TA7808F(TE16L1,NQ)	B	121.5/65.8
IC21	1110003091	IC LA4425A-E		
IC22	1110002751	S.IC TA75S01F(TE85R,F)	B	135.5/54.4
IC23	1130006221	S.IC TC4W53FU(TE12L,F)	B	109.6/12.9
IC25	1110006230	S.IC NJM2711F-TE1-#ZZZB	B	30.1/7.1
Q1	1590003231	S.TRA UNR9113G0L	B	16.5/6.1
Q3	1530002851	S.TRA 2SC4116-BL(TE85R,F)	B	36.5/15.5
Q4	1590001650	S.TRA XP4601(TX)	B	92.8/12.4
Q5	1560000541	S.FET 2SK880-Y(T5RICOM,F)	B	81.3/41
Q6	1530002851	S.TRA 2SC4116-BL(TE85R,F)	B	50.6/28.4
Q7	1560000541	S.FET 2SK880-Y(T5RICOM,F)	B	82.4/30.6
Q8	1530002851	S.TRA 2SC4116-BL(TE85R,F)	B	79.3/37.8
Q9	1530002851	S.TRA 2SC4116-BL(TE85R,F)	B	82.1/35.4
Q10	1560001360	S.FET 2SK3019 TL	B	76.5/45.2
Q12	1530002601	S.TRA 2SC4215-O(TE85R,F)	T	26.8/19.2
Q16	1590003291	S.TRA UNR9213G0L	T	113.1/46.6
Q17	1530002920	S.TRA 2SC4226-T1 R25	T	61.1/42.8
Q18	1530002920	S.TRA 2SC4226-T1 R25	T	61.1/36.3
Q19	1530002920	S.TRA 2SC4226-T1 R25	T	60.7/28.9
Q20	1590003231	S.TRA UNR9113G0L	B	34.1/24.9
Q22	1530003311	S.TRA 2SC5107-O(TE85R,F)	T	56.7/33.6
Q23	1590001400	S.TRA XP1214(TX)	B	57.6/40.5
Q24	1590003291	S.TRA UNR9213G0L	B	55/40.5
Q25	1530004110	S.TRA MTS337T(TE85L,F)	T	55.2/36.9
Q26	1590001400	S.TRA XP1214(TX)	B	56.6/33.5
Q27	1590003231	S.TRA UNR9113G0L	T	126.2/48.7
Q28	1590003291	S.TRA UNR9213G0L	B	123/46.1
Q29	1530003311	S.TRA 2SC5107-O(TE85R,F)	T	50.8/35.5
Q30	1530003311	S.TRA 2SC5107-O(TE85R,F)	B	64.3/62.9
Q31	1580000731	S.FET 3SK293(TE85L,F)	B	9.5/38.8
Q32	1560000841	S.FET 2SK1829(TE85R,F)	T	9.8/40.4
Q33	1530002851	S.TRA 2SC4116-BL(TE85R,F)	[C]	47.3/66.2
	1530002851	S.TRA 2SC4116-BL(TE85R,F)	[D]	
	1530002851	S.TRA 2SC4116-BL(TE85R,F)	[E]	
	1530002851	S.TRA 2SC4116-BL(TE85R,F)	[F]	
	1530002851	S.TRA 2SC4116-BL(TE85R,F)	[G]	
	1530002851	S.TRA 2SC4116-BL(TE85R,F)	[I]	
	1530002851	S.TRA 2SC4116-BL(TE85R,F)	[H]	
Q34	1590003291	S.TRA UNR9213G0L	T	83/67.4
Q35	1520000460	S.TRA 2SB1132 T100 R	T	100.1/57.9
Q36	1590001190	S.TRA XP6501-(TX).AB	T	104.3/55.8
Q37	1540000550	S.TRA 2SD1664 T100Q	T	75.5/63.6
Q38	1510000920	S.TRA 2SA1577 T106 Q	T	64.9/54.1
Q39	1590003291	S.TRA UNR9213G0L	T	68.5/54.8
Q40	1590003291	S.TRA UNR9213G0L	T	103/52.9
Q41	1590001451	S.FET 2SJ144-GR (TE85R,F)	B	114.7/85.7
Q42	1590003291	S.TRA UNR9213G0L	B	131.7/43.6
Q43	1590000990	S.TRA DTC363EK T146	B	135.7/49
Q44	1590003291	S.TRA UNR9213G0L	T	108.9/20.3
Q45	1590003291	S.TRA UNR9213G0L	B	133.3/58.9
Q46	1590003291	S.TRA UNR9213G0L	T	119.2/85.6
Q47	1550000100	S.FET 2SJ377 (TE16L1,NQ)	B	131.3/71.5
Q48	1590003291	S.TRA UNR9213G0L	B	127.4/77.8
Q49	1530002851	S.TRA 2SC4116-BL(TE85R,F)	B	138.7/37.1
Q50	1530002601	S.TRA 2SC4215-O(TE85R,F)	T	40.2/39
Q51	1590003560	S.FET TPC6104 (TE85L,F)	B	133.6/63.4
Q52	1590003291	S.TRA UNR9213G0L	B	128.2/61.1
Q53	1530000372	S.TRA 2SC3356-T1B R (R24)	B	68.4/68
Q54	1590003291	S.TRA UNR9213G0L	T	51.9/67.1
Q55	1560001360	S.FET 2SK3019 TL	T	74.1/20.3
Q56	1560001360	S.FET 2SK3019 TL	T	24.7/7.2
Q57	1590003291	S.TRA UNR9213G0L	T	111.1/13.4
Q58	1530002851	S.TRA 2SC4116-BL(TE85R,F)	B	27/10.8
Q59	1590003291	S.TRA UNR9213G0L	B	96.1/10
Q60	1590003291	S.TRA UNR9213G0L	B	96.1/12.3
D1	1750001070	S.DIO DAN235ETL	T	8.8/14.9
D2	1750001070	S.DIO DAN235ETL	T	22.5/7.7
D4	1790001261	S.DIO MA2S077G0L	T	52.5/43.6
D5	1790001261	S.DIO MA2S077G0L	T	52.5/41
D6	1750001070	S.DIO DAN235ETL	T	29.2/20.9
D7	1160000140	S.DIO DAP222 TL	T	59/13.8
D8	1750000711	S.VAR HVC350BTRF-E	T	68.2/42.7

[MAIN-A UNIT] (For MDC compatible versions)

REF NO.	PARTS NO.	DESCRIPTION	M.	H/V LOCATION
D9	1750001150	S.VAR HVC383BTRF-E	T	70.5/44.7
D10	1750000711	S.VAR HVC350BTRF-E	T	68.2/36.2
D11	1750001150	S.VAR HVC383BTRF-E	T	70.5/38.2
D12	1750000711	S.VAR HVC350BTRF-E	T	68.2/29.7
D13	1750001150	S.VAR HVC383BTRF-E	T	70.5/31.7
D14	1720000570	S.VAR MA368(TX)	T	65.8/33.3
D15	1750000711	S.VAR HVC350BTRF-E	B	5.5/43.5
D16	1750000711	S.VAR HVC350BTRF-E	B	6.8/43.5
D17	1750000711	S.VAR HVC350BTRF-E	B	6.8/50.1
D18	1750000711	S.VAR HVC350BTRF-E	B	5.5/50.1
D19	1160000140	S.DIO DAP222 TL	B	120.3/17.6
D21	1750001070	S.DIO DAN235ETL	T	31.9/37.5
D22	1750000520	S.DIO DAN222TL	T	125.4/51
D23	1790001261	S.DIO MA2S077G0L	T	125/38.9
D24	1750000581	S.DIO 1SV307(TPH3,F)	B	50.8/47.1
D25	1790001261	S.DIO MA2S077G0L	B	48.3/46
D26	1750000711	S.VAR HVC350BTRF-E	B	14.1/36.1
D27	1750000711	S.VAR HVC350BTRF-E	B	10.7/34.4
D30	1750000711	S.VAR HVC350BTRF-E	B	18.3/36.2
D31	1790001251	S.DIO MA2S1110GL	T	6.2/42.2
D35	1790001261	S.DIO MA2S077G0L	B	20/50.9
D36	1790001241	S.DIO MA2S7280GL	B	11.9/50.8
D37	1750000370	S.DIO DA221 TL	T	75.2/68
D38	1750000511	S.DIO UX9401F-STD/TR <INT>	[O]	31.2/66.7
	1750000511	S.DIO UX9401F-STD/TR <INT>	[K]	
	1750000511	S.DIO UX9401F-STD/TR <INT>	[P]	
	1750000511	S.DIO UX9401F-STD/TR <INT>	[L]	
	1750000511	S.DIO UX9401F-STD/TR <INT>	[R]	
D39	1710001061	DIO L407CDB	[C]	
	1710001061	DIO L407CDB	[D]	
	1710001061	DIO L407CDB	[E]	
	1710001061	DIO L407CDB	[F]	
	1710001061	DIO L407CDB	[G]	
	1710001061	DIO L407CDB	[I]	
	1710001061	DIO L407CDB	[H]	
D42	1750001360	S.DIO L709CER (9401)	T	26.5/58
D45	1750000520	S.DIO DAN222TL	T	91.8/57.5
D46	1750000520	S.DIO DAN222TL	T	89.6/57.5
D47	1790001211	S.DIO 1SS375-TL-E	B	37.7/61.7
D48	1750000520	S.DIO DAN222TL	B	95.5/55.5
D49	1790000661	S.DIO MA2J7280GL	B	8.9/57.1
D50	1750000370	S.DIO DA221 TL	B	98.8/66.5
D51	1790000661	S.DIO MA2J7280GL	B	5.2/79.3
D52	1750000520	S.DIO DAN222TL	B	132.6/40.8
D53	1790001251	S.DIO MA2S1110GL	B	133.3/47.3
D55	1750000370	S.DIO DA221 TL	B	98.8/63
D56	1750000370	S.DIO DA221 TL	B	96.7/63
D57	1750000370	S.DIO DA221 TL	B	96.7/66.5
D58	1750000520	S.DIO DAN222TL	B	101.2/63.1
D59	1750000520	S.DIO DAN222TL	B	101.2/81
D62	1790000700	DIO DSA3A1		
D63	1750000520	S.DIO DAN222TL	B	112.3/82.2
D65	1750000520	S.DIO DAN222TL	B	129.7/58.9
D66	1790001621	S.DIO 1SV308(TPL3,F)	T	29.5/36.7
D67	1790001621	S.DIO 1SV308(TPL3,F)	T	34.3/36.7
D68	1790001621	S.DIO 1SV308(TPL3,F)	T	28.7/23.3
D69	1790001621	S.DIO 1SV308(TPL3,F)	T	30/23
D70	1730002411	S.ZEN MAZ8200GHL	T	120/83.6
D71	1750000520	S.DIO DAN222TL	B	94.6/62.3
D72	1750000520	S.DIO DAN222TL	B	98.8/59.1
F11	2020002500	CER LT450GW <JJE>		
F12	2020002510	CER LTW450HT <JJE>		
F13	2030000500	S.MON DSF753SFB 46.35 MHz (FL-401)	T	24.7/28.5
F14	2030000670	S.MON DSF753SFB 46.35 MHz (FL-420)	T	35.6/28.4
F15	2040001440	S.LC NFE31PT152Z1E9L (NFM60R20T152)	B	94.5/77
F16	2040001440	S.LC NFE31PT152Z1E9L (NFM60R20T152)	B	94.5/73.7
F17	2040001440	S.LC NFE31PT152Z1E9L (NFM60R20T152)	[C]	94.5/70.4
	2040001440	S.LC NFE31PT152Z1E9L (NFM60R20T152)	[D]	
	2040001440	S.LC NFE31PT152Z1E9L (NFM60R20T152)	[E]	
	2040001440	S.LC NFE31PT152Z1E9L (NFM60R20T152)	[F]	
	2040001440	S.LC NFE31PT152Z1E9L (NFM60R20T152)	[G]	
	2040001440	S.LC NFE31PT152Z1E9L (NFM60R20T152)	[I]	
	2040001440	S.LC NFE31PT152Z1E9L (NFM60R20T152)	[H]	
X1	6050012380	S.XTA CR-826 DSA535SD 15.3 MHz	T	86.1/34.6
X2	6050011730	S.XTA CR-765 SMD-49TA 3.6864 MHz <KDS>	T	48.6/12
X3	6070000300	S.DIS JTBM450CX24 <JJE>	T	37.1/10.3
X4	6050012320	S.XTA CR-818 SMD-49 A.194304 MHz <KDS>	T	139.1/21.9
X5	6050011720	S.XTA CR-764 SMD-49TB 19.6608 MHz <KDS>	T	120.4/44.4
L1	6200004660	S.COI MLF1608A 1R8K-T	B	80.7/52.1
L2	6200003540	S.COI MLF1608D R22K-T	B	34.4/14.7
L3	6200004480	S.COI MLF1608D R82K-T	B	29.6/16.2
L4	6200005671	S.COI ELJRE 12NGFA	T	54.4/43.9
L5	6200004741	S.COI NLV25T-1R2J	T	72.9/43.5
L6	6200004741	S.COI NLV25T-1R2J	T	70.4/41
L7	6200004741	S.COI NLV25T-1R2J	T	72.9/37
L8	6200004741	S.COI NLV25T-1R2J	T	72.9/30.5
L9	6200004741	S.COI NLV25T-1R2J	T	70.4/28

M.=Mounted side (T: Mounted on the Top side, B: Mounted on the Bottom side) S.=Surface mount

[MAIN-A UNIT] (For MDC compatible versions)

REF NO.	PARTS NO.	DESCRIPTION	M.	H/V LOCATION
L10	6200013581	S.COI 0.30-0.9-4TR 8.6J <COMO>	[C]	T 67.1/44.7
	6200013581	S.COI 0.30-0.9-4TR 8.6J <COMO>	[O]	
	6200013581	S.COI 0.30-0.9-4TR 8.6J <COMO>	[K]	
	6200013581	S.COI 0.30-0.9-4TR 8.6J <COMO>	[E]	
	6200013581	S.COI 0.30-0.9-4TR 8.6J <COMO>	[F]	
	6200013581	S.COI 0.30-0.9-4TR 8.6J <COMO>	[G]	
	6200013581	S.COI 0.30-0.9-4TR 8.6J <COMO>	[L]	
	6200013581	S.COI 0.30-0.9-4TR 8.6J <COMO>	[I]	
	6200013581	S.COI 0.30-0.9-4TR 8.6J <COMO>	[R]	
L12	6200013581	S.COI 0.30-0.9-4TR 8.6J <COMO>	[C]	T 67.1/38.2
	6200013581	S.COI 0.30-0.9-4TR 8.6J <COMO>	[O]	
	6200013581	S.COI 0.30-0.9-4TR 8.6J <COMO>	[K]	
	6200013581	S.COI 0.30-0.9-4TR 8.6J <COMO>	[E]	
	6200013581	S.COI 0.30-0.9-4TR 8.6J <COMO>	[F]	
	6200013581	S.COI 0.30-0.9-4TR 8.6J <COMO>	[G]	
	6200013581	S.COI 0.30-0.9-4TR 8.6J <COMO>	[L]	
	6200013581	S.COI 0.30-0.9-4TR 8.6J <COMO>	[I]	
	6200013581	S.COI 0.30-0.9-4TR 8.6J <COMO>	[R]	
L13	6200004741	S.COI NLV25T-1R2J	[O]	T 70.4/34.5
L15	6200012390	S.COI 0.30-0.92-3TR 5.8N <COMO>	[C]	T 67.1/31.4
L16	6200010030	S.COI C2012C-15NG-A	[O]	B 21.1/35.6
	6200010030	S.COI C2012C-15NG-A	[K]	
	6200010020	S.COI C2012C-12NG-A	[D]	
	6200010020	S.COI C2012C-12NG-A	[P]	
	6200010030	S.COI C2012C-15NG-A	[E]	
	6200010030	S.COI C2012C-15NG-A	[F]	
	6200010030	S.COI C2012C-15NG-A	[G]	
	6200010030	S.COI C2012C-15NG-A	[L]	
	6200010030	S.COI C2012C-15NG-A	[I]	
	6200010020	S.COI C2012C-12NG-A	[H]	
	6200010030	S.COI C2012C-15NG-A	[R]	
L17	6200004741	S.COI NLV25T-1R2J	[O]	T 57.7/30
	6200004741	S.COI NLV25T-1R2J	[O]	
	6200004741	S.COI NLV25T-1R2J	[K]	
	6200002851	S.COI NLV25T-R82J	[D]	
	6200002851	S.COI NLV25T-R82J	[P]	
	6200004741	S.COI NLV25T-1R2J	[E]	
	6200004741	S.COI NLV25T-1R2J	[F]	
	6200004741	S.COI NLV25T-1R2J	[G]	
	6200004741	S.COI NLV25T-1R2J	[L]	
	6200004741	S.COI NLV25T-1R2J	[I]	
	6200002851	S.COI NLV25T-R82J	[H]	
	6200004741	S.COI NLV25T-1R2J	[R]	
L18	6130003000	S.COI #617DB-1714=P3	[C]	B 39/36.2
L19	6130003000	S.COI #617DB-1714=P3	[O]	B 34.5/42.6
L20	6200005721	S.COI ELJRE 33NGFA	[C]	T 54.2/32.6
L21	6200005671	S.COI ELJRE 12NGFA	[O]	T 54.4/39.1
L22	6200005711	S.COI ELJRE 27NGFA	[C]	B 40.2/46
	6200005711	S.COI ELJRE 27NGFA	[O]	
	6200005711	S.COI ELJRE 27NGFA	[K]	
	6200005691	S.COI ELJRE 18NGFA	[D]	
	6200005691	S.COI ELJRE 18NGFA	[P]	
	6200005711	S.COI ELJRE 27NGFA	[E]	
	6200005711	S.COI ELJRE 27NGFA	[F]	
	6200005711	S.COI ELJRE 27NGFA	[G]	
	6200005711	S.COI ELJRE 27NGFA	[L]	
	6200005691	S.COI ELJRE 18NGFA	[H]	
	6200005711	S.COI ELJRE 27NGFA	[R]	
L23	6200005711	S.COI ELJRE 27NGFA	[C]	B 42.9/46
	6200005711	S.COI ELJRE 27NGFA	[O]	
	6200005711	S.COI ELJRE 27NGFA	[K]	
	6200005691	S.COI ELJRE 18NGFA	[D]	
	6200005691	S.COI ELJRE 18NGFA	[P]	
	6200005711	S.COI ELJRE 27NGFA	[E]	
	6200005711	S.COI ELJRE 27NGFA	[F]	
	6200005711	S.COI ELJRE 27NGFA	[G]	
	6200005711	S.COI ELJRE 27NGFA	[L]	
	6200005691	S.COI ELJRE 18NGFA	[H]	
	6200005711	S.COI ELJRE 27NGFA	[R]	
L24	6130003000	S.COI #617DB-1714=P3	[C]	B 27/36.2
L25	6200005711	S.COI ELJRE 27NGFA	[O]	T 50/38.4
L26	6200010030	S.COI C2012C-15NG-A	[C]	B 15.9/35.6
	6200010030	S.COI C2012C-15NG-A	[O]	
	6200010030	S.COI C2012C-15NG-A	[K]	
	6200010020	S.COI C2012C-12NG-A	[D]	
	6200010020	S.COI C2012C-12NG-A	[P]	
	6200010030	S.COI C2012C-15NG-A	[E]	
	6200010030	S.COI C2012C-15NG-A	[F]	
	6200010030	S.COI C2012C-15NG-A	[G]	
	6200010030	S.COI C2012C-15NG-A	[L]	
	6200010030	S.COI C2012C-15NG-A	[I]	
	6200010020	S.COI C2012C-12NG-A	[H]	
	6200010030	S.COI C2012C-15NG-A	[R]	
L27	6200005711	S.COI ELJRE 27NGFA	[C]	B 65.2/65.4
L28	6200010030	S.COI C2012C-15NG-A	[O]	B 7/36.7
	6200010030	S.COI C2012C-15NG-A	[K]	
	6200010020	S.COI C2012C-12NG-A	[D]	
	6200010020	S.COI C2012C-12NG-A	[P]	
	6200010030	S.COI C2012C-15NG-A	[E]	
	6200010030	S.COI C2012C-15NG-A	[F]	
	6200010030	S.COI C2012C-15NG-A	[G]	
	6200010030	S.COI C2012C-15NG-A	[L]	
	6200010030	S.COI C2012C-15NG-A	[I]	
	6200010020	S.COI C2012C-12NG-A	[H]	
	6200010030	S.COI C2012C-15NG-A	[R]	
L29	6200005641	S.COI ELJRE 6N8ZFA	[C]	B 73.5/69

[MAIN-A UNIT] (For MDC compatible versions)

REF NO.	PARTS NO.	DESCRIPTION	M.	H/V LOCATION
L30	6200005691	S.COI ELJRE 18NGFA	[C]	T 73.5/73.7
	6200005701	S.COI ELJRE 22NGFA	[O]	
	6200005701	S.COI ELJRE 22NGFA	[K]	
	6200005691	S.COI ELJRE 18NGFA	[D]	
	6200005691	S.COI ELJRE 18NGFA	[P]	
	6200005691	S.COI ELJRE 18NGFA	[E]	
	6200005691	S.COI ELJRE 18NGFA	[F]	
	6200005691	S.COI ELJRE 18NGFA	[G]	
	6200005701	S.COI ELJRE 22NGFA	[L]	
	6200005691	S.COI ELJRE 18NGFA	[I]	
	6200005691	S.COI ELJRE 18NGFA	[H]	
	6200005701	S.COI ELJRE 22NGFA	[R]	
L31	6200010210	S.COI C2012C-22NG-A	[C]	B 9.2/44.8
	6200010210	S.COI C2012C-22NG-A	[O]	
	6200010210	S.COI C2012C-22NG-A	[K]	
	6200009980	S.COI C2012C-18NG-A	[D]	
	6200009980	S.COI C2012C-18NG-A	[P]	
	6200010210	S.COI C2012C-22NG-A	[E]	
	6200010210	S.COI C2012C-22NG-A	[F]	
	6200010210	S.COI C2012C-22NG-A	[G]	
	6200010210	S.COI C2012C-22NG-A	[L]	
	6200010210	S.COI C2012C-22NG-A	[I]	
	6200009980	S.COI C2012C-18NG-A	[H]	
	6200010210	S.COI C2012C-22NG-A	[R]	
L32	6200010210	S.COI C2012C-22NG-A	[C]	B 9.2/48.8
	6200010210	S.COI C2012C-22NG-A	[O]	
	6200010210	S.COI C2012C-22NG-A	[K]	
	6200009980	S.COI C2012C-18NG-A	[D]	
	6200009980	S.COI C2012C-18NG-A	[P]	
	6200010210	S.COI C2012C-22NG-A	[E]	
	6200010210	S.COI C2012C-22NG-A	[F]	
	6200010210	S.COI C2012C-22NG-A	[G]	
	6200010210	S.COI C2012C-22NG-A	[L]	
	6200010210	S.COI C2012C-22NG-A	[I]	
	6200009980	S.COI C2012C-18NG-A	[H]	
	6200010210	S.COI C2012C-22NG-A	[R]	
L33	6200010150	S.COI AS080340-15N	[C]	T 32.6/75.2
L34	6200010100	S.COI C2012C-33NG-A	[O]	B 13.7/50
L35	6200005691	S.COI ELJRE 18NGFA	[C]	B 23/50.7
	6200005691	S.COI ELJRE 18NGFA	[O]	
	6200005691	S.COI ELJRE 18NGFA	[K]	
	6200006771	S.COI ELJRE 1N5ZFA	[D]	
	6200006771	S.COI ELJRE 1N5ZFA	[P]	
	6200005691	S.COI ELJRE 18NGFA	[E]	
	6200005691	S.COI ELJRE 18NGFA	[F]	
	6200005691	S.COI ELJRE 18NGFA	[G]	
	6200005691	S.COI ELJRE 18NGFA	[L]	
	6200006771	S.COI ELJRE 1N5ZFA	[H]	
	6200005691	S.COI ELJRE 18NGFA	[R]	
L36	6200010420	S.COI FHW1210HC 1R0JGT <JJE>	[C]	B 31.2/68
L37	6200010150	S.COI AS080340-15N	[O]	T 30.3/58.1
L38	6200010150	S.COI AS080340-15N	[K]	T 22.2/58.3
L39	6200010150	S.COI AS080340-15N	[E]	T 14.3/60.3
L40	6200010150	S.COI AS080340-15N	[F]	T 10.3/82.4
L41	6200002861	S.COI NLV25T-4R7J	[G]	T 111.3/55.1
L42	6200005011	S.COI NLV25T-100J	[L]	T 40.1/41.6
L43	6200010680	S.COI C2520C-R22G-A (0.22U)	[I]	T 41.2/35.1
L44	6200010740	S.COI C2520C-R27G-A	[H]	T 35.9/39.5
L45	6200010150	S.COI AS080340-15N	[R]	T 6.4/58.3
L46	6200005711	S.COI ELJRE 27NGFA	[C]	B 71.1/68.8
L47	6200012390	S.COI 0.30-0.92-3TR 5.8N <COMO>	[D]	T 65.1/44.7
	6200012390	S.COI 0.30-0.92-3TR 5.8N <COMO>	[P]	
L48	6200012390	S.COI 0.30-0.92-3TR 5.8N <COMO>	[H]	T 65.1/38.2
	6200012390	S.COI 0.30-0.92-3TR 5.8N <COMO>	[D]	
	6200012390	S.COI 0.30-0.92-3TR 5.8N <COMO>	[P]	
	6200012390	S.COI 0.30-0.92-3TR 5.8N <COMO>	[H]	
L49	6200004480	S.COI MLF1608R R82K-T	[C]	T 23.3/19.4
R1	7030005060	S.RES ERJ2GEJ 333 X (33K)	[C]	B 38.6/6
R2	7510001730	S.THE ERTJOEP 473J	[O]	T 89.3/32.2
R3	7030005050	S.RES ERJ2GEJ 103 X (10K)	[K]	T 78.5/11.6
R4	7030005230	S.RES ERJ2GEJ 334 X (330K)	[D]	B 88.8/18.5
R5	7030005090	S.RES ERJ2GEJ 104 X (100K)	[P]	T 89.8/33.5
R6	7030005700	S.RES ERJ2GEJ 274 X (270K)	[E]	T 87.7/19.4
R7	7030005230	S.RES ERJ2GEJ 334 X (330K)	[F]	T 84.3/17.5
R8	7410001130	S.ARR EXB28V102JX	[G]	T 86.9/52.4
R9	7030007570	S.RES ERJ2GEJ 122 X (1.2K)	[L]	B 35.4/11.4
R10	7030007060	S.RES ERJ2GEJ 684X (680K)	[I]	B 35.8/13.7
R11	7030010040	S.RES ERJ2GEJ-JPW	[H]	T 9.3/12.9
R12	7030004970	S.RES ERJ2GEJ 470 X (47)	[R]	T 34.1/6.4
R13	7030007340	S.RES ERJ2GEJ 153 X (15K)	[C]	T 8.9/16.5
R14	7030007340	S.RES ERJ2GEJ 153 X (15K)	[O]	T 9.3/9.3
R15	7030005070	S.RES ERJ2GEJ 683 X (68K)	[K]	B 93.3/14.4
R17	7030007570	S.RES ERJ2GEJ 122 X (1.2K)	[D]	B 93.3/15.3
R18	7030008300	S.RES ERJ2GEJ 184 X (180K)	[P]	B 81.5/7.3
R19	7030005230	S.RES ERJ2GEJ 334 X (330K)	[E]	T 86.3/9.9
R20	7030005090	S.RES ERJ2GEJ 104 X (100K)	[F]	T 77.9/8.2
R21	7030005070	S.RES ERJ2GEJ 683 X (68K)	[G]	T 88.5/8.9
R22	7030005050	S.RES ERJ2GEJ 103 X (10K)	[L]	B 38.6/7.7
R23	7030005050	S.RES ERJ2GEJ 103 X (10K)	[I]	B 38.6/9.4
R24	7030005060	S.RES ERJ2GEJ 333 X (33K)	[H]	B 37.7/10.7
R25	7030005120	S.RES ERJ2GEJ 102 X (1K)	[R]	B 101/51.6
R26</				

[MAIN-A UNIT] (For MDC compatible versions)

REF NO.	PARTS NO.	DESCRIPTION	M.	H/V LOCATION
R37	7030005210	S.RES ERJ2GEJ 822 X (8.2K)	B	15.7/3.
R38	7030007340	S.RES ERJ2GEJ 153 X (15K)	T	22.9/5.7
R39	7030007340	S.RES ERJ2GEJ 153 X (15K)	T	22.3/9.3
R40	7030005240	S.RES ERJ2GEJ 473 X (47K)	T	26.9/10.6
R41	7030007290	S.RES ERJ2GEJ 222 X (2.2K)	T	26.6/5.5
R42	7030005090	S.RES ERJ2GEJ 104 X (100K)	B	94.6/11.8
R43	7030007300	S.RES ERJ2GEJ 332 X (3.3K)	B	94.6/10
R44	7030007340	S.RES ERJ2GEJ 153 X (15K)	B	90.8/12.9
R45	7030005220	S.RES ERJ2GEJ 223 X (22K)	B	91.6/10
R46	7030005040	S.RES ERJ2GEJ 472 X (4.7K)	T	90.5/13.7
R47	7030005050	S.RES ERJ2GEJ 103 X (10K)	T	90.9/12.7
R48	7030005060	S.RES ERJ2GEJ 333 X (33K)	B	51.1/8.1
R49	7030005160	S.RES ERJ2GEJ 105 X (1M)	B	49.9/13.6
R50	7030005090	S.RES ERJ2GEJ 104 X (100K)	B	49.9/11
R51	7030005290	S.RES ERJ2GEJ 682 X (6.8K)	T	52.6/8.6
R52	7030007340	S.RES ERJ2GEJ 153 X (15K)	B	63.3/12.6
R53	7030005000	S.RES ERJ2GEJ 471 X (47K)	T	84.4/38.2
R54	7030005120	S.RES ERJ2GEJ 102 X (1K)	B	81.3/43.4
R55	7030007290	S.RES ERJ2GEJ 222 X (2.2K)	B	83.5/26.5
R56	7030004980	S.RES ERJ2GEJ 101 X (100)	B	81.6/39.1
R57	7030005090	S.RES ERJ2GEJ 104 X (100K)	B	28/14.3
R58	7030004980	S.RES ERJ2GEJ 101 X (100)	T	27/8.2
R59	7030008290	S.RES ERJ2GEJ 183 X (18K)	T	27/7.3
R60	7030005000	S.RES ERJ2GEJ 471 X (47K)	T	30.9/9.7
R61	7030005040	S.RES ERJ2GEJ 472 X (4.7K)	T	28.4/8.5
R63	7030005220	S.RES ERJ2GEJ 223 X (22K)	B	91.6/8.3
R64	7030005220	S.RES ERJ2GEJ 223 X (22K)	B	91.6/6.6
R65	7030005090	S.RES ERJ2GEJ 104 X (100K)	B	51.1/9
R67	7030005290	S.RES ERJ2GEJ 682 X (6.8K)	T	53.5/8.6
R68	7030007290	S.RES ERJ2GEJ 222 X (2.2K)	T	53.7/17.7
R69	7030010040	S.RES ERJ2GEJ-JPW	B	85.6/16.8
R71	7030005090	S.RES ERJ2GEJ 104 X (100K)	T	54.5/8.6
R72	7030007290	S.RES ERJ2GEJ 222 X (2.2K)	B	50.9/30.2
R73	7030004980	S.RES ERJ2GEJ 101 X (100)	B	80.3/29.7
R74	7030007570	S.RES ERJ2GEJ 122 X (1.2K)	B	83.1/27.8
R75	7030005290	S.RES ERJ2GEJ 682 X (6.8K)	B	82.6/42.4
R76	7030005050	S.RES ERJ2GEJ 103 X (10K)	B	82.4/33
R77	7030005580	S.RES ERJ2GEJ 560 X (56)	B	83.2/48
R78	7030005220	S.RES ERJ2GEJ 223 X (22K)	B	81.6/37.3
R79	7030007340	S.RES ERJ2GEJ 153 X (15K)	T	51.1/42.8
R80	7030007340	S.RES ERJ2GEJ 153 X (15K)	T	51.1/41.8
R81	7030005090	S.RES ERJ2GEJ 104 X (100K)	B	74.9/45.2
R82	7030005110	S.RES ERJ2GEJ 224 X (220K)	B	71.7/27.3
R83	7030008400	S.RES ERJ2GEJ 182 X (1.8K)	T	32.4/10.6
R85	7030005110	S.RES ERJ2GEJ 224 X (220K)	T	25/19.2
R87	7030007300	S.RES ERJ2GEJ 332 X (3.3K)	T	30.5/19.3
R88	7030005120	S.RES ERJ2GEJ 102 X (1K)	B	90.7/6.6
R90	7030005000	S.RES ERJ2GEJ 471 X (47K)	B	89.8/18.5
R91	7030005230	S.RES ERJ2GEJ 334 X (330K)	T	86.4/12.8
R93	7030005310	S.RES ERJ2GEJ 124 X (120K)	T	83.9/8.4
R94	7030005080	S.RES ERJ2GEJ 823 X (82K)	T	106.7/36.7
R95	7030005720	S.RES ERJ2GEJ 563 X (56K)	T	106.3/35.7
R96	7030005240	S.RES ERJ2GEJ 473 X (47K)	B	63.7/15.1
R97	7030005060	S.RES ERJ2GEJ 333 X (33K)	B	52.2/12.7
R98	7030005030	S.RES ERJ2GEJ 152 X (1.5K)	B	63.7/18.9
R99	7030005240	S.RES ERJ2GEJ 473 X (47K)	B	63.7/18
R100	7030005800	S.RES RR0510P-102-D (1K)	B	84.4/32.4
R101	7030007280	S.RES ERJ2GEJ 331 X (330)	B	80.1/32.9
R102	7030005530	S.RES ERJ2GEJ 100 X (10)	T	23/21.1
R103	7030005600	S.RES ERJ2GEJ 273 X (27K)	T	28.7/25.5
R104	7030007280	S.RES ERJ2GEJ 331 X (330)	T	25/22.5
R105	7030005600	S.RES ERJ2GEJ 273 X (27K)	B	32.4/24.2
R106	7030007270	S.RES ERJ2GEJ 151 X (15K)	T	33.9/22.5
R108	7030005240	S.RES ERJ2GEJ 473 X (47K)	B	81.9/18.9
R109	7030005700	S.RES ERJ2GEJ 274 X (270K)	B	81/18.9
R110	7030005050	S.RES ERJ2GEJ 103 X (10K)	T	78.4/20.8
R111	7030005050	S.RES ERJ2GEJ 103 X (10K)	T	96.2/28.5
R112	7030005700	S.RES ERJ2GEJ 274 X (270K)	T	81.7/20.2
R113	7030005240	S.RES ERJ2GEJ 473 X (47K)	B	57.4/19.5
R114	7030005090	S.RES ERJ2GEJ 104 X (100K)	B	54.1/13.4
R115	7030005090	S.RES ERJ2GEJ 104 X (100K)	T	113.7/17.8
R116	7030005090	S.RES ERJ2GEJ 104 X (100K)	B	78.4/15.4
R117	7030005050	S.RES ERJ2GEJ 103 X (10K)	B	81.6/38.2
R118	7030005700	S.RES ERJ2GEJ 274 X (270K)	[C] T	88.5/9.9
	7030005700	S.RES ERJ2GEJ 274 X (270K)	[O] T	
	7030005700	S.RES ERJ2GEJ 274 X (270K)	[K] T	
	7030005230	S.RES ERJ2GEJ 334 X (330K)	[D] T	
	7030005230	S.RES ERJ2GEJ 334 X (330K)	[P] T	
	7030005700	S.RES ERJ2GEJ 274 X (270K)	[E] T	
	7030005700	S.RES ERJ2GEJ 274 X (270K)	[F] T	
	7030005700	S.RES ERJ2GEJ 274 X (270K)	[G] T	
	7030005700	S.RES ERJ2GEJ 274 X (270K)	[L] T	
	7030005700	S.RES ERJ2GEJ 274 X (270K)	[I] T	
	7030005230	S.RES ERJ2GEJ 334 X (330K)	[H] T	
	7030005700	S.RES ERJ2GEJ 274 X (270K)	[R] T	
R120	7030007280	S.RES ERJ2GEJ 331 X (330)	T	26.5/34.4
R122	7030005600	S.RES ERJ2GEJ 273 X (27K)	T	28.8/35.2
R123	7030005600	S.RES ERJ2GEJ 273 X (27K)	T	34.1/35.2
R125	7030007270	S.RES ERJ2GEJ 151 X (15K)	T	36.4/34.4
R127	7030005050	S.RES ERJ2GEJ 103 X (10K)	B	78.2/18.7
R128	7030005240	S.RES ERJ2GEJ 473 X (47K)	T	111.5/45.4
R129	7030005040	S.RES ERJ2GEJ 472 X (4.7K)	T	111.1/44.5
R130	7030005070	S.RES ERJ2GEJ 683 X (68K)	T	103.5/41.8
R131	7030005070	S.RES ERJ2GEJ 683 X (68K)	T	103.5/43.6
R132	7030004980	S.RES ERJ2GEJ 101 X (100)	T	113.8/11.5
R133	7030005090	S.RES ERJ2GEJ 104 X (100K)	T	109.6/10.8
R134	7030005160	S.RES ERJ2GEJ 105 X (1M)	T	129.8/25.5
R135	7030005160	S.RES ERJ2GEJ 105 X (1M)	T	129.8/24.2
R136	7030005160	S.RES ERJ2GEJ 105 X (1M)	T	129.8/22.9
R138	7030005530	S.RES ERJ2GEJ 100 X (10)	T	63.8/31.3
R139	7410001140	S.ARR EXB28V104JX	T	133.8/19.8
R140	7030006020	S.RES RR0510P-682-D (6.8K)	T	62.9/44.3
R141	7030006020	S.RES RR0510P-682-D (6.8K)	T	62.9/42.6
R143	7030006020	S.RES RR0510P-682-D (6.8K)	T	62.9/37.8
R144	7030006020	S.RES RR0510P-682-D (6.8K)	T	62.9/36.1

[MAIN-A UNIT] (For MDC compatible versions)

REF NO.	PARTS NO.	DESCRIPTION	M.	H/V LOCATION
R146	7030006020	S.RES RR0510P-682-D (6.8K)	T	62.9/31.3
R147	7030006020	S.RES RR0510P-682-D (6.8K)	T	62.9/29.6
R148	7030009320	S.RES ERJ2GEJ 4R7 X (4.7)	T	61.6/30.9
R149	7030005110	S.RES ERJ2GEJ 224 X (220K)	B	65.1/32.6
R150	7030008290	S.RES ERJ2GEJ 183 X (18K)	B	79.2/28.2
R151	7030005220	S.RES ERJ2GEJ 223 X (22K)	[C] B	80.5/27.8
	7030005220	S.RES ERJ2GEJ 223 X (22K)	[O] B	
	7030005220	S.RES ERJ2GEJ 223 X (22K)	[K] B	
	7030008290	S.RES ERJ2GEJ 183 X (18K)	[D] B	
	7030008290	S.RES ERJ2GEJ 183 X (18K)	[P] B	
	7030005220	S.RES ERJ2GEJ 223 X (22K)	[E] B	
	7030005220	S.RES ERJ2GEJ 223 X (22K)	[F] B	
	7030005220	S.RES ERJ2GEJ 223 X (22K)	[G] B	
	7030005220	S.RES ERJ2GEJ 223 X (22K)	[L] B	
	7030005220	S.RES ERJ2GEJ 223 X (22K)	[I] B	
	7030008290	S.RES ERJ2GEJ 183 X (18K)	[H] B	
	7030005220	S.RES ERJ2GEJ 223 X (22K)	[R] B	
R152	7030005090	S.RES ERJ2GEJ 104 X (100K)	B	81.8/28.2
R153	7030007300	S.RES ERJ2GEJ 332 X (3.3K)	T	36.4/42.1
R154	7030004970	S.RES ERJ2GEJ 470 X (47)	T	42.9/40
R155	7030007290	S.RES ERJ2GEJ 222 X (2.2K)	T	39.9/33
R156	7030004970	S.RES ERJ2GEJ 101 X (100)	T	42.3/41.2
R157	7030005090	S.RES ERJ2GEJ 104 X (100K)	B	30.1/24.9
R158	7030005240	S.RES ERJ2GEJ 473 X (47K)	T	111.1/42.7
R159	7030005240	S.RES ERJ2GEJ 473 X (47K)	T	111.5/40.9
R160	7030005240	S.RES ERJ2GEJ 473 X (47K)	T	113.7/39.9
R161	7030005070	S.RES ERJ2GEJ 683 X (68K)	T	105.4/48.4
R162	7030005240	S.RES ERJ2GEJ 473 X (47K)	T	127.8/16.3
R163	7030005240	S.RES ERJ2GEJ 473 X (47K)	T	128.7/17.2
R164	7030005240	S.RES ERJ2GEJ 473 X (47K)	T	129.6/16.3
R165	7030005230	S.RES ERJ2GEJ 334 X (330K)	T	129.8/21.6
R166	7030005230	S.RES ERJ2GEJ 334 X (330K)	T	129.8/20.3
R167	7030005230	S.RES ERJ2GEJ 334 X (330K)	T	129.8/19
R168	7030011180	S.RES RR0510P-391-D (390)	B	58.5/42.6
R169	7030011180	S.RES RR0510P-391-D (390)	B	58.5/38.4
R170	7030009820	S.RES RR0510P-681-D (680)	B	55.7/31.5
R171	7030005310	S.RES ERJ2GEJ 124 X (120K)	T	57/31.8
R172	7030008280	S.RES ERJ2GEJ 271 X (270)	B	37.5/44.6
R173	7030007270	S.RES ERJ2GEJ 151 X (15K)	B	40/32.8
R176	7030005590	S.RES ERJ2GEJ 680 X (68)	B	31.3/37.4
R177	7030005590	S.RES ERJ2GEJ 680 X (68)	B	31.3/35
R178	7030005240	S.RES ERJ2GEJ 473 X (47K)	T	113.7/38.9
R179	7030008300	S.RES ERJ2GEJ 184 X (180K)	T	117.1/34.6
R180	7030005720	S.RES ERJ2GEJ 563 X (56K)	T	117.5/35.6
R181	7030005220	S.RES ERJ2GEJ 223 X (22K)	T	117.1/36.6
R182	7030005120	S.RES ERJ2GEJ 102 X (1K)	T	117.5/33.6
R183	7030005070	S.RES ERJ2GEJ 683 X (68K)	T	103.7/48.4
R184	7030005220	S.RES ERJ2GEJ 223 X (22K)	T	115.4/36.6
R185	7030005070	S.RES ERJ2GEJ 683 X (68K)	B	102.3/45.6
R186	7030005160	S.RES ERJ2GEJ 105 X (1M)	T	81.3/19.3
R187	7030005060	S.RES ERJ2GEJ 333 X (33K)	T	81.3/17.5
R188	7030005090	S.RES ERJ2GEJ 104 X (100K)	T	78.9/14.6
R189	7030005720	S.RES ERJ2GEJ 563 X (56K)	T	78.5/15.8
R190	7030005240	S.RES ERJ2GEJ 473 X (47K)	T	80.9/18.4
R191	7030004980	S.RES ERJ2GEJ 101 X (100)	T	54.2/30.4
R192	7030008280	S.RES ERJ2GEJ 271 X (270)	B	52.6/35.9
R193	7030005050	S.RES ERJ2GEJ 103 X (10K)	B	57.5/31.5
R194	7030007340	S.RES ERJ2GEJ 153 X (15K)	T	53.5/36.7
R195	7030007260	S.RES ERJ2GEJ 330 X (33)	T	51/33.4
R196	7030005050	S.RES ERJ2GEJ 103 X (10K)	B	56.8/35.3
R197	7030005050	S.RES ERJ2GEJ 103 X (10K)	B	55/38.5
R198	7030010090	S.RES ERJ2GEJ 180 X (18)	B	38/46
R199	7030008280	S.RES ERJ2GEJ 271 X (270)	B	38.5/44.6
R200	7030005050	S.RES ERJ2GEJ 103 X (10K)	B	8.4/20.6
R201	7410001130	S.ARR EXB28V102JX	B	117/51.7
R202	7030005090	S.RES ERJ2GEJ 104 X (100K)	T	127.1/46.7
R203	7030005120	S.RES ERJ2GEJ 102 X (1K)	B	126.7/42.2
R204	7410000750	S.ARR EXB-V4V 104JUV (100K)	B	129.6/43.4
R205	7030008010	S.RES ERJ2GEJ 123 X (12K)	T	126.2/39.2
R206	7030005120	S.RES ERJ2GEJ 102 X (1K)	B	128.7/37.1
R207	7030005050	S.RES ERJ2GEJ 103 X (10K)	T	120.3/37
R208	7030005050	S.RES ERJ2GEJ 103 X (10K)	T	121/37.7
R209	7410001130	S.ARR EXB28V102JX	B	128.6/39.5
R210	7030008010	S.RES ERJ2GEJ 123 X (12K)	T	123.6/37.9
R211	7030008010	S.RES ERJ2GEJ 123 X (12K)	T	125.5/40.8
R212	7030005160	S.RES ERJ2GEJ 105 X (1M)	T	121.7/40.8
R213	7030005070	S.RES ERJ2GEJ 683 X (68K)	T	49/35
R214	7030004980	S.RES ERJ2GEJ 101 X (100)	B	49/35
R215	7030005050	S.RES ERJ2GEJ 103 X (10K)	B	48.8/51.4
R216	7030004980	S.RES		

[MAIN-A UNIT] (For MDC compatible versions)

REF NO.	PARTS NO.	DESCRIPTION	M.	H/V LOCATION
R234	7410001130	S.ARR EXB28V102JX	B	128.9/33.4
R235	7030005600	S.RES ERJ2GEJ 273 X (27K)	B	69.9/69.4
R236	7030004970	S.RES ERJ2GEJ 470 X (47)	B	67.7/70.5
R238	7030004980	S.RES ERJ2GEJ 101 X (100)	B	63.6/66.2
R240	7030005090	S.RES ERJ2GEJ 104 X (100K)	B	64.1/65
R242	7030005530	S.RES ERJ2GEJ 100 X (10)	B	6.5/34.4
R243	7030009320	S.RES ERJ2GEJ 4R7 X (4.7)	B	13.4/42.4
R244	7030005120	S.RES ERJ2GEJ 102 X (1K)	B	8.6/35.7
	7030005120	S.RES ERJ2GEJ 102 X (1K)	[C]	
	7030005120	S.RES ERJ2GEJ 102 X (1K)	[O]	
	7030005120	S.RES ERJ2GEJ 102 X (1K)	[K]	
	7030005040	S.RES ERJ2GEJ 472 X (4.7K)	[D]	
	7030005040	S.RES ERJ2GEJ 472 X (4.7K)	[P]	
	7030005120	S.RES ERJ2GEJ 102 X (1K)	[E]	
	7030005120	S.RES ERJ2GEJ 102 X (1K)	[F]	
	7030005120	S.RES ERJ2GEJ 102 X (1K)	[G]	
	7030005120	S.RES ERJ2GEJ 102 X (1K)	[L]	
	7030005120	S.RES ERJ2GEJ 102 X (1K)	[I]	
	7030005040	S.RES ERJ2GEJ 472 X (4.7K)	[H]	
	7030005120	S.RES ERJ2GEJ 102 X (1K)	[R]	
R245	7030005530	S.RES ERJ2GEJ 100 X (10)	B	11.7/38.2
R246	7030005090	S.RES ERJ2GEJ 104 X (100K)	B	11.3/41.5
R247	7030005710	S.RES ERJ2GEJ 121 X (120)	B	7.3/41.2
R248	7410001130	S.ARR EXB28V102JX	B	103.9/47.9
R249	7410001130	S.ARR EXB28V102JX	B	123.6/27.2
R250	7410001130	S.ARR EXB28V102JX	B	121.9/25.3
R251	7410001140	S.ARR EXB28V104JX	T	124.2/27.9
R252	7410001140	S.ARR EXB28V104JX	T	122.1/25.7
R253	7030008290	S.RES ERJ2GEJ 183 X (18K)	T	11.8/40.8
R254	7030005110	S.RES ERJ2GEJ 224 X (220K)	T	7.3/41
R255	7030005240	S.RES ERJ2GEJ 473 X (47K)	B	9/41.9
R257	7030008400	S.RES ERJ2GEJ 182 X (1.8K)	T	7.3/39.7
R258	7030005170	S.RES ERJ2GEJ 474 X (47K)	T	8.4/42.2
R259	7030005090	S.RES ERJ2GEJ 104 X (100K)	B	5.4/45.6
R260	7030005090	S.RES ERJ2GEJ 104 X (100K)	B	5.4/48
R261	7410001130	S.ARR EXB28V102JX	T	99.7/43.5
R262	7410001130	S.ARR EXB28V102JX	T	100.5/37
R263	7410001130	S.ARR EXB28V102JX	T	97/40.7
R264	7410000750	S.ARR EXB-V4V 104JV (100K)	T	103.2/35.4
R265	7030007340	S.RES ERJ2GEJ 153 X (15K)	T	87.7/31
R266	7410001130	S.ARR EXB28V102JX	B	120.1/23.5
R267	7410001130	S.ARR EXB28V102JX	B	118.3/21.7
R268	7410001130	S.ARR EXB28V102JX	B	116.5/19.9
R269	7030005090	S.RES ERJ2GEJ 104 X (100K)	T	118.6/20.6
R270	7030007340	S.RES ERJ2GEJ 153 X (15K)	T	88.6/34.2
R271	7030007270	S.RES ERJ2GEJ 151 X (15K)	T	73/71.8
R272	7030007280	S.RES ERJ2GEJ 331 X (330)	T	61/76.7
R273	7030005050	S.RES ERJ2GEJ 103 X (10K)	T	63.6/76.2
R274	7030004980	S.RES ERJ2GEJ 101 X (100)	B	57.9/68.9
R277	7030005050	S.RES ERJ2GEJ 103 X (10K)	B	4.1/46.5
R278	7030005050	S.RES ERJ2GEJ 103 X (10K)	B	126.6/28.8
R279	7030005090	S.RES ERJ2GEJ 104 X (100K)	B	127.6/28.8
R280	7410001130	S.ARR EXB28V102JX	B	95.2/38.9
R281	7030005090	S.RES ERJ2GEJ 104 X (100K)	T	93.8/48.9
R282	7410000750	S.ARR EXB-V4V 104JV (100K)	T	91.6/49.5
R283	7410001130	S.ARR EXB28V102JX	B	104.7/22.2
R284	7030005120	S.RES ERJ2GEJ 102 X (1K)	T	111.3/25.3
R285	7410001130	S.ARR EXB28V102JX	B	107.1/19.9
R286	7410001140	S.ARR EXB28V104JX	T	120.5/21.8
R287	7030004990	S.RES ERJ2GEJ 221 X (220)	B	57.6/64.5
R288	7030005100	S.RES ERJ2GEJ 154 X (150K)	B	55.8/68.9
R289	7030008300	S.RES ERJ2GEJ 184 X (180K)	B	44.3/65
	7030008300	S.RES ERJ2GEJ 184 X (180K)	[C]	
	7030008300	S.RES ERJ2GEJ 184 X (180K)	[D]	
	7030008300	S.RES ERJ2GEJ 184 X (180K)	[E]	
	7030008300	S.RES ERJ2GEJ 184 X (180K)	[F]	
	7030008300	S.RES ERJ2GEJ 184 X (180K)	[G]	
	7030008300	S.RES ERJ2GEJ 184 X (180K)	[H]	
R290	7520000261	S.POS PRF18BB471QB5RB	T	33.7/66.7
	7520000261	S.POS PRF18BB471QB5RB	[C]	
	7520000261	S.POS PRF18BB471QB5RB	[D]	
	7520000261	S.POS PRF18BB471QB5RB	[E]	
	7520000261	S.POS PRF18BB471QB5RB	[F]	
	7520000261	S.POS PRF18BB471QB5RB	[G]	
	7520000261	S.POS PRF18BB471QB5RB	[H]	
R291	7030005120	S.RES ERJ2GEJ 102 X (1K)	T	107.2/21.1
R292	7030006070	S.RES ERJ12YJ101U (100)	B	36.9/68
R293	7030005110	S.RES ERJ2GEJ 224 X (220K)	B	50.5/65.7
R294	7030005050	S.RES ERJ2GEJ 103 X (10K)	B	53.1/70.1
R295	7030005110	S.RES ERJ2GEJ 224 X (220K)	B	54.2/64.5
R296	7030005040	S.RES ERJ2GEJ 472 X (4.7K)	B	50/68.9
R297	7030008010	S.RES ERJ2GEJ 123 X (12K)	B	51.8/70.2
	7030008010	S.RES ERJ2GEJ 123 X (12K)	[C]	
	7030008010	S.RES ERJ2GEJ 123 X (12K)	[O]	
	7030008010	S.RES ERJ2GEJ 123 X (12K)	[K]	
	7030008010	S.RES ERJ2GEJ 123 X (12K)	[D]	
	7030005220	S.RES ERJ2GEJ 223 X (22K)	[E]	
	7030008010	S.RES ERJ2GEJ 123 X (12K)	[P]	
	7030008010	S.RES ERJ2GEJ 123 X (12K)	[F]	
	7030008010	S.RES ERJ2GEJ 123 X (12K)	[G]	
	7030008010	S.RES ERJ2GEJ 123 X (12K)	[L]	
	7030008010	S.RES ERJ2GEJ 123 X (12K)	[I]	
	7030008010	S.RES ERJ2GEJ 123 X (12K)	[H]	
	7030008010	S.RES ERJ2GEJ 123 X (12K)	[R]	
R298	7030006610	S.RES ERJ2GEJ 394 X (390K)	B	49.2/66.1
R299	7030005110	S.RES ERJ2GEJ 224 X (220K)	B	18.3/33.1
R300	7030005050	S.RES ERJ2GEJ 103 X (10K)	B	99.9/59.6
R301	7030007290	S.RES ERJ2GEJ 222 X (2.2K)	T	106.7/55
R302	7030000440	S.RES MCR10EZJH 3.3K (332)	T	79.1/64.4
R303	7030000440	S.RES MCR10EZJH 3.3K (332)	T	81.1/64.4
R304	7030000440	S.RES MCR10EZJH 3.3K (332)	T	83.1/64.4
R305	7030005050	S.RES ERJ2GEJ 103 X (10K)	T	66.9/54.1
R306	7030005040	S.RES ERJ2GEJ 472 X (4.7K)	T	68.1/53.2
R307	7030005050	S.RES ERJ2GEJ 103 X (10K)	T	35.4/61.7
R308	7410001130	S.ARR EXB28V102JX	T	102.3/63.8
R309	7030005070	S.RES ERJ2GEJ 683 X (68K)	T	94.9/5.4
R310	7030004980	S.RES ERJ2GEJ 101 X (100)	B	109.1/62.5

[MAIN-A UNIT] (For MDC compatible versions)

REF NO.	PARTS NO.	DESCRIPTION	M.	H/V LOCATION
R311	7030000260	S.RES MCR10EZJH 100 (101)	B	1679.4
R312	7030005700	S.RES ERJ2GEJ 274 X (270K)	B	41/61.1
R313	7030003320	S.RES ERJ3GEYJ 101 V (100)	B	11.2/58
R314	7030007340	S.RES ERJ2GEJ 153 X (15K)	B	10/55.3
	7030008400	S.RES ERJ2GEJ 182 X (1.8K)	[C]	
	7030008400	S.RES ERJ2GEJ 182 X (1.8K)	[O]	
	7030007340	S.RES ERJ2GEJ 153 X (15K)	[K]	
	7030007340	S.RES ERJ2GEJ 153 X (15K)	[D]	
	7030007340	S.RES ERJ2GEJ 153 X (15K)	[P]	
	7030007340	S.RES ERJ2GEJ 153 X (15K)	[E]	
	7030007340	S.RES ERJ2GEJ 153 X (15K)	[F]	
	7030008400	S.RES ERJ2GEJ 182 X (1.8K)	[G]	
	7030007340	S.RES ERJ2GEJ 153 X (15K)	[L]	
	7030007340	S.RES ERJ2GEJ 153 X (15K)	[I]	
	7030007340	S.RES ERJ2GEJ 153 X (15K)	[H]	
	7030008400	S.RES ERJ2GEJ 182 X (1.8K)	[R]	
R315	7030000220	S.RES MCR10EZJH 47 (470)	B	3/61.6
R316	7030005110	S.RES ERJ2GEJ 224 X (220K)	T	92.7/10.3
R317	7030005160	S.RES ERJ2GEJ 105 X (1M)	B	116.5/86.3
R318	7030005160	S.RES ERJ2GEJ 105 X (1M)	B	113.7/83.8
R319	7030005120	S.RES ERJ2GEJ 102 X (1K)	B	114/82.6
R320	7030005160	S.RES ERJ2GEJ 105 X (1M)	B	112.9/86.3
R321	7030004970	S.RES ERJ2GEJ 470 X (47)	B	112.1/84.5
R322	7030007340	S.RES ERJ2GEJ 153 X (15K)	B	4.6/80.9
	7030008400	S.RES ERJ2GEJ 182 X (1.8K)	[C]	
	7030008400	S.RES ERJ2GEJ 182 X (1.8K)	[O]	
	7030008400	S.RES ERJ2GEJ 182 X (1.8K)	[K]	
	7030007340	S.RES ERJ2GEJ 153 X (15K)	[D]	
	7030007340	S.RES ERJ2GEJ 153 X (15K)	[P]	
	7030007340	S.RES ERJ2GEJ 153 X (15K)	[E]	
	7030007340	S.RES ERJ2GEJ 153 X (15K)	[F]	
	7030007340	S.RES ERJ2GEJ 153 X (15K)	[G]	
	7030008400	S.RES ERJ2GEJ 182 X (1.8K)	[L]	
	7030007340	S.RES ERJ2GEJ 153 X (15K)	[I]	
	7030008400	S.RES ERJ2GEJ 182 X (1.8K)	[H]	
	7030008400	S.RES ERJ2GEJ 182 X (1.8K)	[R]	
R323	7030003320	S.RES ERJ3GEYJ 101 V (100)	B	6.8/80.9
R324	7030000620	S.RES MCR10EZJH 100 K (104)	T	6.1/83.1
R325	7030005050	S.RES ERJ2GEJ 103 X (10K)	B	131.2/45.3
R326	7030005090	S.RES ERJ2GEJ 104 X (100K)	B	131.6/51.7
R327	7030005120	S.RES ERJ2GEJ 102 X (1K)	B	131.1/54.2
R328	7030005090	S.RES ERJ2GEJ 104 X (100K)	B	134.1/51.7
R332	7030005090	S.RES ERJ2GEJ 104 X (100K)	T	109.4/24.2
R333	7030005120	S.RES ERJ2GEJ 102 X (1K)	T	112.6/29.5
R334	7520000270	S.POS PRG21BC4R7MM1FA	T	108.1/77.4
R335	7030005050	S.RES ERJ2GEJ 103 X (10K)	T	108/78.8
R336	7030005120	S.RES ERJ2GEJ 102 X (1K)	T	112.2/80
R337	7410001130	S.ARR EXB28V102JX	T	104.8/77
R338	7030005651	S.RES ERA3YKD 304V (300K)	B	99.9/57.9
R339	7030005871	S.RES ERA3YKD 104V (100K)	B	99.9/56.5
R340	7030003560	S.RES ERJ3GEYJ 103 V (10K)	T	136.3/65.7
R341	7030003560	S.RES ERJ3GEYJ 103 V (10K)	B	130.7/85.9
R342	7030005090	S.RES ERJ2GEJ 104 X (100K)	B	135.4/52.2
R343	7030007290	S.RES ERJ2GEJ 222 X (2.2K)	B	138.1/49.4
R344	7030008270	S.RES RR0510P-104-D (100K)	B	133.3/54.6
R345	7030008270	S.RES RR0510P-104-D (100K)	B	133.3/56.3
R346	7030005040	S.RES ERJ2GEJ 472 X (4.7K)	B	137/52.2
R347	7030005050	S.RES ERJ2GEJ 103 X (10K)	B	137.8/53.7
R348	7030005700	S.RES ERJ2GEJ 274 X (270K)	B	131.3/75.6
R349	7030005090	S.RES ERJ2GEJ 104 X (100K)	B	130.4/76.7
R350	7030005120	S.RES ERJ2GEJ 102 X (1K)	B	140/47.6
R351	7030004980	S.RES ERJ2GEJ 101 X (100)	B	134.5/64.6
R352	7030008300	S.RES ERJ2GEJ 184 X (180K)	B	140.1/38.5
R353	7030005340	S.RES ERJ2GEJ 334 X (330K)	B	139.3/34.8
R354	7030010040	S.RES ERJ2GEJ-JPW	T	140.4/36
R355	7030008280	S.RES ERJ2GEJ 271 X (270)	B	138/34.8
R356	7540000290	ABS ERZV10D220		
R359	7030005090	S.RES ERJ2GEJ 104 X (100K)	B	112.6/80.5
R360	7030005090	S.RES ERJ2GEJ 104 X (100K)	T	78.4/5.3
R361	7030005600	S.RES ERJ2GEJ 273 X (27K)	T	76.7/18.3
R362	7030005050	S.RES ERJ2GEJ 103 X (10K)	T	121.7/48.6
R363	7030005120	S.RES ERJ2GEJ 102 X (1K)	T	42.9/38.2
R364	7030005040	S.RES ERJ2GEJ 472 X (4.7K)	T	42/37.2
R366	7030005090	S.RES ERJ2GEJ 104 X (100K)	B	131.4/63.4
R367	7030005040	S.RES ERJ2GEJ 472 X (4.7K)	B	130.1/63
R368	7030005050	S.RES ERJ2GEJ 103 X (10K)	T	80.6/7.2
R370	7030005810	S.RES RR0510P-152-D (1.5K)	B	78.4/35.7
R371	7030005120	S.RES ERJ2GEJ 102 X (1K)	B	78.7/44.7
R372	7030010040	S.RES ERJ2GEJ-JPW	B	39.5/8.1
R373	7030010040	S.RES ERJ2GEJ-JPW	B	50.4/12.3
R374	7030005050	S.RES ERJ2GEJ 103 X (10K)	T	117.9/83.3
R375	7030009140	S.RES ERJ2GEJ 272 X (2.7K)	T	29.2/5.3
R376	7030005040	S.RES ERJ2GEJ 472 X (4.7K)	T	75.8/18.3
R377	7030005160	S.RES ERJ2GEJ 105 X (1M)	B	112.9/12.2
R378	7030005160	S.RES ERJ2GEJ 105 X (1M)	B	114.2/12.7
R379	7410001140	S.ARR EXB28V104JX	B	99.9/18
R380	70			

[MAIN-A UNIT] (For MDC compatible versions)

REF NO.	PARTS NO.	DESCRIPTION	M.	H/V LOCATION
C4	4030017420	S.CER C1005 CH 1H 470J-T	B	50.4/14.9
C5	4030016930	S.CER C1005 JB 1A 104K-T	T	89.8/34.6
C6	4550006250	S.TAN TEESVA 1A 106M8R	B	77.3/49.9
C8	4030017420	S.CER C1005 CH 1H 470J-T	T	89.9/52
C9	4030016930	S.CER C1005 JB 1A 104K-T	T	88.9/52
C10	4030016930	S.CER C1005 JB 1A 104K-T	T	79.8/51
C11	4030016930	S.CER C1005 JB 1A 104K-T	T	9.3/18.1
C12	4030016930	S.CER C1005 JB 1A 104K-T	T	9.3/11.1
C13	4030016930	S.CER C1005 JB 1A 104K-T	T	82.8/6.6
C14	4030016930	S.CER C1005 JB 1A 104K-T	T	86.3/8.9
C15	4030017460	S.CER C1005 JB 1H 102K-T	T	41.5/7.7
C16	4550000460	S.TAN TEESVA 1C 105M8R	B	42.7/6.2
C17	4550000460	S.TAN TEESVA 1C 105M8R	B	43/6.2
C18	4030017420	S.CER C1005 CH 1H 470J-T	T	41.7/14
C19	4030017420	S.CER C1005 CH 1H 470J-T	B	50.4/15.8
C20	4030016970	S.CER C1005 JB 1E 223K-T	B	101/52.7
C21	4030017420	S.CER C1005 CH 1H 470J-T	T	41.7/16.9
C22	4030017420	S.CER C1005 CH 1H 470J-T	T	41.7/12.7
C23	4030016930	S.CER C1005 JB 1A 104K-T	T	52.2/5.6
C24	4030017660	S.CER C1005 CH 1H 330J-T	B	39.5/9.8
C25	4030017420	S.CER C1005 CH 1H 470J-T	T	60.9/5.9
C26	4030016930	S.CER C1005 JB 1A 104K-T	B	37.7/6
C27	4030018240	S.CER C1005 JB 1H 562K-T	B	36.8/7.3
C28	4030016790	S.CER C1005 JB 1E 103K-T	T	78.1/9.5
C29	4030017460	S.CER C1005 JB 1H 102K-T	T	78.5/12.5
C30	4030016930	S.CER C1005 JB 1A 104K-T	T	78.5/13.4
C31	4030017460	S.CER C1005 JB 1H 102K-T	T	82/50.5
C32	4030017500	S.CER C1005 CH 1H 560J-T	B	33.3/15.9
C33	4030016930	S.CER C1005 JB 1A 104K-T	B	35.8/12.7
C34	4030017570	S.CER C1005 CH 1H 040B-T	B	32/15.4
C35	4030017590	S.CER C1005 CH 1H 070C-T	B	30.8/15.9
C36	4030016930	S.CER C1005 JB 1A 104K-T	T	22.9/15
C37	4030017360	S.CER C1005 CH 1H 030B-T	B	28.1/15.4
C38	4030016930	S.CER C1005 JB 1A 104K-T	T	22.5/7
C39	4030016930	S.CER C1005 JB 1A 104K-T	B	15/5.7
C40	4030016930	S.CER C1005 JB 1A 104K-T	T	24.2/5.6
C41	4030016930	S.CER C1005 JB 1A 104K-T	T	22.2/12.5
C42	4030016930	S.CER C1005 JB 1A 104K-T	T	23.1/12.5
C43	4030017910	S.CER C1005 JB 1H 152K-T	T	27.4/9.4
C44	4030017910	S.CER C1005 JB 1H 152K-T	T	26.5/9.4
C45	4030017790	S.CER C1005 JB 1H 682K-T	B	92.6/10
C46	4030016930	S.CER C1005 JB 1A 104K-T	B	93.6/10
C47	4030016970	S.CER C1005 JB 1E 223K-T	T	90.9/14.7
C48	4030017710	S.CER C1005 CH 1H 181J-T	B	49.9/9.1
C49	4550006250	S.TAN TEESVA 1A 106M8R	T	54.8/15.4
C50	4030017460	S.CER C1005 JB 1H 102K-T	T	55.4/12.1
C51	4030017400	S.CER C1005 CH 1H 220J-T	T	46.3/18.8
C52	4030017400	S.CER C1005 CH 1H 220J-T	T	44.7/7.8
C53	4030017900	S.CER C1005 JB 1E 123K-T	B	63.7/10.8
C54	4030018080	S.CER C1005 JB 1H 182K-T	B	63.7/11.7
C55	4030016790	S.CER C1005 JB 1E 103K-T	B	49.2/30.2
C56	4030017620	S.CER C1005 CH 1H 100C-T	T	83.4/36.5
C57	4030016930	S.CER C1005 JB 1A 104K-T	T	84.8/31
C58	4030017430	S.CER C1005 CH 1H 101J-T	T	85.7/38.8
C59	4030017460	S.CER C1005 JB 1H 102K-T	T	81.8/24.8
C60	4030017420	S.CER C1005 CH 1H 470J-T	T	83/41.5
C61	4030017620	S.CER C1005 CH 1H 100C-T	T	84.4/40.2
C62	4030017650	S.CER C1005 CH 1H 270J-T	T	81.2/41.5
C65	4030017460	S.CER C1005 JB 1H 102K-T	T	28.7/10.6
C66	4550006250	S.TAN TEESVA 1A 106M8R	T	30.7/6.9
C67	4030017460	S.CER C1005 JB 1H 102K-T	T	26.6/6.4
C68	4030017460	S.CER C1005 JB 1H 102K-T	T	30.5/8.5
C69	4030017460	S.CER C1005 JB 1H 102K-T	T	32.6/15.4
C70	4030017420	S.CER C1005 CH 1H 470J-T	B	30.6/14.3
C71	4030016940	S.CER C1005 JB 1A 393K-T	B	92.6/8.3
C72	4030018860	S.CER C1005 JB 0J 105K-T	B	50.9/11
C73	4030017750	S.CER C1005 JB 1H 122K-T	B	50.3/17.7
C74	4030016930	S.CER C1005 JB 1A 104K-T	B	52/17.7
C75	4030016930	S.CER C1005 JB 1A 104K-T	B	55.9/12.6
C77	4030017460	S.CER C1005 JB 1H 102K-T	B	53.1/12.7
C78	4030017460	S.CER C1005 JB 1H 102K-T	B	53.3/8.6
C79	4550006250	S.TAN TEESVA 1A 106M8R	B	50.1/33.1
C80	4030017770	S.CER C1005 JB 1H 332K-T	B	82.6/43.3
C81	4550000560	S.TAN TEESVA 1V 334M8R	B	84.4/41.1
C82	4030017460	S.CER C1005 JB 1H 102K-T	B	80.3/30.7
C83	4550000270	S.TAN TEESVA 1E 474M8R	B	84.4/35.9
C84	4030017460	S.CER C1005 JB 1H 102K-T	B	83.2/49.6
C85	4030017350	S.CER C1005 CH 1H 020B-T	T	55.2/45.4
C87	4030017340	S.CER C1005 CH 1H 010B-T	T	53.9/42.8
C88	4030017530	S.CER C1005 CH 1H 0R5B-T	T	55.2/42.3
C89	4030017550	S.CER C1005 CH 1H 1R5B-T	[C] T	53.9/41.8
	4030017550	S.CER C1005 CH 1H 1R5B-T	[O]	
	4030017550	S.CER C1005 CH 1H 1R5B-T	[K]	
	4030017340	S.CER C1005 CH 1H 010B-T	[D]	
	4030017340	S.CER C1005 CH 1H 010B-T	[P]	
	4030017550	S.CER C1005 CH 1H 1R5B-T	[E]	
	4030017550	S.CER C1005 CH 1H 1R5B-T	[F]	
	4030017550	S.CER C1005 CH 1H 1R5B-T	[G]	
	4030017550	S.CER C1005 CH 1H 1R5B-T	[L]	
	4030017550	S.CER C1005 CH 1H 1R5B-T	[I]	
	4030017550	S.CER C1005 CH 1H 1R5B-T	[R]	
C91	4030016790	S.CER C1005 JB 1E 103K-T	T	27.3/17.3
C92	4030017460	S.CER C1005 JB 1H 102K-T	T	25.2/20.9
C93	4030017680	S.CER C1005 CH 1H 820J-T	T	32.4/12.5
C94	4030017460	S.CER C1005 JB 1H 102K-T	B	30.6/13.4
C95	4030016790	S.CER C1005 JB 1E 103K-T	T	28.8/19.3
C98	4030016930	S.CER C1005 JB 1A 104K-T	B	89.3/7.4
C99	4030016930	S.CER C1005 JB 1A 104K-T	B	90.8/14.6
C100	4030016930	S.CER C1005 JB 1A 104K-T	T	86.1/15.6
C101	4030017710	S.CER C1005 CH 1H 181J-T	T	83.9/7.5
C102	4030016930	S.CER C1005 JB 1A 104K-T	T	106.7/34.7
C103	4030016930	S.CER C1005 JB 1A 104K-T	B	55.3/19.5
C104	4550000270	S.TAN TEESVA 1E 474M8R	B	76.6/32.9
C105	4030017420	S.CER C1005 CH 1H 470J-T	T	74.2/41.3

[MAIN-A UNIT] (For MDC compatible versions)

REF NO.	PARTS NO.	DESCRIPTION	M.	H/V LOCATION
C107	4030016930	S.CER C1005 JB 1A 104K-T	B	72.9/43.4
C110	4030017420	S.CER C1005 CH 1H 470J-T	T	74.2/34.8
C111	4030016930	S.CER C1005 JB 1A 104K-T	T	73.9/28.3
C112	4030017460	S.CER C1005 JB 1H 102K-T	T	73/27.4
C113	4030017420	S.CER C1005 CH 1H 470J-T	T	74.2/28.3
C114	4030016790	S.CER C1005 JB 1E 103K-T	T	24.3/20.9
C115	4030016790	S.CER C1005 JB 1E 103K-T	T	21.5/21.1
C116	4030016790	S.CER C1005 JB 1E 103K-T	T	26.6/22.5
C119	4030017640	S.CER C1005 CH 1H 150J-T	T	20.3/27.9
C120	4030016790	S.CER C1005 JB 1E 103K-T	T	32.2/22.5
C123	4030017660	S.CER C1005 CH 1H 330J-T	T	40/28
C124	4030016930	S.CER C1005 JB 1A 104K-T	B	90.8/17.4
C126	4030016930	S.CER C1005 JB 1A 104K-T	T	82.7/21.2
C128	4030016930	S.CER C1005 JB 1A 104K-T	T	80/20.2
C129	4030016930	S.CER C1005 JB 1A 104K-T	B	63.7/16
C130	4030016930	S.CER C1005 JB 1A 104K-T	B	134.8/16.8
C131	4030017660	S.CER C1005 CH 1H 330J-T	B	137.5/23.8
C132	4030017660	S.CER C1005 CH 1H 330J-T	B	137.5/18.8
C133	4030017580	S.CER C1005 CH 1H 060C-T	[C] T	69/43.9
	4030017580	S.CER C1005 CH 1H 060C-T	[O]	
	4030017580	S.CER C1005 CH 1H 060C-T	[K]	
	4030017380	S.CER C1005 CH 1H 050B-T	[D]	
	4030017380	S.CER C1005 CH 1H 050B-T	[P]	
	4030017580	S.CER C1005 CH 1H 060C-T	[E]	
	4030017580	S.CER C1005 CH 1H 060C-T	[F]	
	4030017580	S.CER C1005 CH 1H 060C-T	[G]	
	4030017580	S.CER C1005 CH 1H 060C-T	[L]	
	4030017580	S.CER C1005 CH 1H 060C-T	[I]	
	4030017380	S.CER C1005 CH 1H 050B-T	[R]	
C134	4030017590	S.CER C1005 CH 1H 070C-T	T	70.3/43
C135	4030017590	S.CER C1005 CH 1H 070C-T	T	69/37.4
C136	4030017460	S.CER C1005 JB 1H 102K-T	T	84.1/27.8
C137	4030017670	S.CER C1005 CH 1H 390J-T	[C] T	70.3/30
	4030017670	S.CER C1005 CH 1H 390J-T	[O]	
	4030017670	S.CER C1005 CH 1H 390J-T	[K]	
	4030017630	S.CER C1005 CH 1H 120J-T	[D]	
	4030017630	S.CER C1005 CH 1H 120J-T	[P]	
	4030017670	S.CER C1005 CH 1H 390J-T	[E]	
	4030017670	S.CER C1005 CH 1H 390J-T	[F]	
	4030017670	S.CER C1005 CH 1H 390J-T	[G]	
	4030017670	S.CER C1005 CH 1H 390J-T	[L]	
	4030017670	S.CER C1005 CH 1H 390J-T	[I]	
	4030017630	S.CER C1005 CH 1H 120J-T	[R]	
C138	4030017670	S.CER C1005 CH 1H 390J-T	[C] T	69/30.9
	4030017640	S.CER C1005 CH 1H 150J-T	[O]	
	4030017640	S.CER C1005 CH 1H 150J-T	[K]	
	4030017620	S.CER C1005 CH 1H 100C-T	[D]	
	4030017620	S.CER C1005 CH 1H 100C-T	[P]	
	4030017640	S.CER C1005 CH 1H 150J-T	[E]	
	4030017640	S.CER C1005 CH 1H 150J-T	[F]	
	4030017640	S.CER C1005 CH 1H 150J-T	[G]	
	4030017640	S.CER C1005 CH 1H 150J-T	[L]	
	4030017640	S.CER C1005 CH 1H 150J-T	[I]	
	4030017640	S.CER C1005 CH 1H 150J-T	[R]	
C139	4030017630	S.CER C1005 CH 1H 120J-T	T	70.3/36.5
	4030017630	S.CER C1005 CH 1H 120J-T	[C]	
	4030017630	S.CER C1005 CH 1H 120J-T	[O]	
	4030017630	S.CER C1005 CH 1H 120J-T	[K]	
	4030017620	S.CER C1005 CH 1H 100C-T	[D]	
	4030017620	S.CER C1005 CH 1H 100C-T	[P]	
	4030017630	S.CER C1005 CH 1H 120J-T	[E]	
	4030017630	S.CER C1005 CH 1H 120J-T	[F]	
	4030017630	S.CER C1005 CH 1H 120J-T	[G]	
	4030017630	S.CER C1005 CH 1H 120J-T	[L]	
	4030017630	S.CER C1005 CH 1H 120J-T	[I]	
	4030017630	S.CER C1005 CH 1H 120J-T	[R]	
C140	4030017460	S.CER C1005 JB 1H 102K-T	T	73/40.4
C141	4030017460	S.CER C1005 JB 1H 102K-T	T	73/33.9
C142	4030018860	S.CER C1005 JB 0J 105K-T	T	90.1/10.7
C143	4030017340	S.CER C1005 CH 1H 010B-T	T	64.7/31.3
C145	4030016790	S.CER C1005 JB 1E 103K-T	T	27.8/35.2
C146	4030017610	S.CER C1005 CH 1H 090C-T	T	36.4/33.4
C147	4030016790	S.CER C1005 JB 1E 103K-T	T	35.1/35.2
C148	4030016790	S.CER C1005 JB 1E 103K-T	T	29.9/33.9
C149	4030016930	S.CER C1005 JB 1A 104K-T	T	76.5/18.7
C150	4030018560	S.CER C2012 JB 1A 475K-T	B	89/22
C151	4030016930	S.CER C1005 JB 1A 104K-T	T	111.1/46.3
C152	4030016930	S.CER C1005 JB 1A 104K-T	T	108.5/35.7
C153	4030017460	S.CER C1005 JB 1H 102K-T	T	110.3/35.6
C154	4030018860	S.CER C1005 JB 0J 105K-T	T	83.2/19.8
C155	4030017420	S.CER C1005 CH 1H 470J-T	T	110.3/37.9
C156	4030017910	S.CER C1005 JB 1H 152K-T	T	103.2/42.7
C157	4030017420	S.CER C1005 CH 1H 470J-T	T	110.7/47.2

[MAIN-A UNIT] (For MDC compatible versions)

REF NO.	PARTS NO.	DESCRIPTION	M.	H/V LOCATION		
C163	4030017610	S.CER C1005 CH 1H 090C-T	[C]	64.2/36.5		
	4030017610	S.CER C1005 CH 1H 090C-T	[O]			
	4030017610	S.CER C1005 CH 1H 090C-T	[K]			
	4030017390	S.CER C1005 CH 1H 180J-T	[D]			
	4030017390	S.CER C1005 CH 1H 180J-T	[P]			
	4030017610	S.CER C1005 CH 1H 090C-T	[E]			
	4030017610	S.CER C1005 CH 1H 090C-T	[F]			
	4030017610	S.CER C1005 CH 1H 090C-T	[G]			
	4030017610	S.CER C1005 CH 1H 090C-T	[L]			
	4030017610	S.CER C1005 CH 1H 090C-T	[I]			
	4030017390	S.CER C1005 CH 1H 180J-T	[H]			
	4030017610	S.CER C1005 CH 1H 090C-T	[R]			
	4030017380	S.CER C1005 CH 1H 050B-T	[C]			
	C164	4030017380	S.CER C1005 CH 1H 050B-T		[O]	61.6/44.8
4030017380		S.CER C1005 CH 1H 050B-T	[K]			
4030017570		S.CER C1005 CH 1H 040B-T	[D]			
4030017570		S.CER C1005 CH 1H 040B-T	[P]			
4030017380		S.CER C1005 CH 1H 050B-T	[E]			
4030017380		S.CER C1005 CH 1H 050B-T	[F]			
4030017380		S.CER C1005 CH 1H 050B-T	[G]			
4030017380		S.CER C1005 CH 1H 050B-T	[L]			
4030017380		S.CER C1005 CH 1H 050B-T	[I]			
4030017570		S.CER C1005 CH 1H 040B-T	[H]			
4030017380		S.CER C1005 CH 1H 050B-T	[R]			
4030017630		S.CER C1005 CH 1H 120J-T	[C]			
C165		4030017630	S.CER C1005 CH 1H 120J-T	[O]	60.3/45.2	
		4030017630	S.CER C1005 CH 1H 120J-T	[K]		
	4030017620	S.CER C1005 CH 1H 100C-T	[D]			
	4030017620	S.CER C1005 CH 1H 100C-T	[P]			
	4030017630	S.CER C1005 CH 1H 120J-T	[E]			
	4030017630	S.CER C1005 CH 1H 120J-T	[F]			
	4030017630	S.CER C1005 CH 1H 120J-T	[G]			
	4030017630	S.CER C1005 CH 1H 120J-T	[L]			
	4030017630	S.CER C1005 CH 1H 120J-T	[I]			
	4030017620	S.CER C1005 CH 1H 100C-T	[H]			
	4030017630	S.CER C1005 CH 1H 120J-T	[R]			
	4030017380	S.CER C1005 CH 1H 050B-T	[C]			
	C166	4030017380	S.CER C1005 CH 1H 050B-T	[O]		68.6/38.7
		4030017380	S.CER C1005 CH 1H 050B-T	[K]		
4030017580		S.CER C1005 CH 1H 060C-T	[D]			
4030017580		S.CER C1005 CH 1H 060C-T	[P]			
4030017380		S.CER C1005 CH 1H 050B-T	[E]			
4030017380		S.CER C1005 CH 1H 050B-T	[F]			
4030017380		S.CER C1005 CH 1H 050B-T	[G]			
4030017380		S.CER C1005 CH 1H 050B-T	[L]			
4030017380		S.CER C1005 CH 1H 050B-T	[I]			
4030017580		S.CER C1005 CH 1H 060C-T	[H]			
4030017380		S.CER C1005 CH 1H 050B-T	[R]			
4030017640		S.CER C1005 CH 1H 150J-T	[C]			
C167		4030017590	S.CER C1005 CH 1H 070C-T	[O]	64.2/30	
		4030017590	S.CER C1005 CH 1H 070C-T	[K]	61.6/38.3	
C168	4030017590	S.CER C1005 CH 1H 070C-T	[D]	61.6/38.3		
	4030017610	S.CER C1005 CH 1H 090C-T	[P]			
	4030017610	S.CER C1005 CH 1H 090C-T	[E]			
	4030017590	S.CER C1005 CH 1H 070C-T	[F]			
	4030017590	S.CER C1005 CH 1H 070C-T	[G]			
	4030017590	S.CER C1005 CH 1H 070C-T	[L]			
	4030017590	S.CER C1005 CH 1H 070C-T	[I]			
	4030017610	S.CER C1005 CH 1H 090C-T	[H]			
	4030017590	S.CER C1005 CH 1H 070C-T	[R]			
	C169	4030017390	S.CER C1005 CH 1H 180J-T		[C]	60.3/38.7
		4030017340	S.CER C1005 CH 1H 010B-T		[O]	
		4030017370	S.CER C1005 CH 1H 3R5B-T		[K]	
		4030017370	S.CER C1005 CH 1H 3R5B-T		[D]	
		4030017560	S.CER C1005 CH 1H 2R5B-T		[P]	
4030017560		S.CER C1005 CH 1H 2R5B-T	[E]			
4030017370		S.CER C1005 CH 1H 3R5B-T	[F]			
4030017370		S.CER C1005 CH 1H 3R5B-T	[G]			
4030017370		S.CER C1005 CH 1H 3R5B-T	[L]			
4030017370		S.CER C1005 CH 1H 3R5B-T	[I]			
4030017560		S.CER C1005 CH 1H 2R5B-T	[H]			
4030017370		S.CER C1005 CH 1H 3R5B-T	[R]			
C172		4030017600	S.CER C1005 CH 1H 080C-T	[C]	61.6/31.8	
		4030017600	S.CER C1005 CH 1H 080C-T	[O]		
	4030017600	S.CER C1005 CH 1H 080C-T	[K]			
	4030017570	S.CER C1005 CH 1H 040B-T	[D]			
	4030017570	S.CER C1005 CH 1H 040B-T	[P]			
	4030017600	S.CER C1005 CH 1H 080C-T	[E]			
	4030017600	S.CER C1005 CH 1H 080C-T	[F]			
	4030017600	S.CER C1005 CH 1H 080C-T	[G]			
	4030017600	S.CER C1005 CH 1H 080C-T	[L]			
	4030017600	S.CER C1005 CH 1H 080C-T	[I]			
	4030017570	S.CER C1005 CH 1H 040B-T	[H]			
	4030017600	S.CER C1005 CH 1H 080C-T	[R]			
	C173	4030017620	S.CER C1005 CH 1H 100C-T	[C]		60.2/32.2
		4030017620	S.CER C1005 CH 1H 100C-T	[O]		
4030017620		S.CER C1005 CH 1H 100C-T	[K]			
4030017580		S.CER C1005 CH 1H 060C-T	[D]			
4030017580		S.CER C1005 CH 1H 060C-T	[P]			
4030017620		S.CER C1005 CH 1H 100C-T	[E]			
4030017620		S.CER C1005 CH 1H 100C-T	[F]			
4030017620		S.CER C1005 CH 1H 100C-T	[G]			
4030017620		S.CER C1005 CH 1H 100C-T	[L]			
4030017620		S.CER C1005 CH 1H 100C-T	[I]			
4030017580		S.CER C1005 CH 1H 060C-T	[H]			
4030017620		S.CER C1005 CH 1H 100C-T	[R]			
C174		4030017640	S.CER C1005 CH 1H 150J-T	[C]	38.1/37.2	
		4030016790	S.CER C1005 JB 1E 103K-T	[O]	41.4/39.4	
C176	4030016930	S.CER C1005 JB 1A 104K-T	[K]	41.2/32.8		
C177	4030017730	S.CER C1005 JB 1H 471K-T	[D]	42.1/32.8		
C178	4030016790	S.CER C1005 JB 1E 103K-T	[P]	34.6/32.9		
C180	4030017740	S.CER C1005 JB 1H 821K-T	[E]	108.8/47.5		

[MAIN-A UNIT] (For MDC compatible versions)

REF NO.	PARTS NO.	DESCRIPTION	M.	H/V LOCATION		
C181	4030016930	S.CER C1005 JB 1A 104K-T	[C]	111.5/43.6		
C182	4030016780	S.CER C1005 JB 1E 153K-T	[O]	112/39.9		
C183	4030017420	S.CER C1005 CH 1H 470J-T	[K]	103.8/44.5		
C184	4030017760	S.CER C1005 JB 1H 222K-T	[D]	105.4/47.5		
C185	4030017690	S.CER C1005 CH 1H 121J-T	[P]	107.1/47.5		
C186	4030016930	S.CER C1005 JB 1A 104K-T	[E]	62.6/40.9		
C187	4030017460	S.CER C1005 JB 1H 102K-T	[F]	63.5/40.9		
C188	4030016790	S.CER C1005 JB 1E 103K-T	[G]	62.6/34.4		
C189	4030017460	S.CER C1005 JB 1H 102K-T	[L]	63.5/34.4		
C190	4030017540	S.CER C1005 CH 1H R75B-T	[I]	58.6/42.7		
C191	4030016790	S.CER C1005 JB 1E 103K-T	[H]	62.6/27.9		
C192	4030017530	S.CER C1005 CH 1H 0R5B-T	[R]	58.6/36.2		
C193	4030017460	S.CER C1005 JB 1H 102K-T	[C]	63.5/27.9		
C194	4030017530	S.CER C1005 CH 1H 0R5B-T	[O]	58.9/31.8		
C195	4030016930	S.CER C1005 JB 1A 104K-T	[K]	40.3/30.2		
C196	4030017730	S.CER C1005 JB 1H 471K-T	[D]	38.7/33.2		
C197	4030016930	S.CER C1005 JB 1A 104K-T	[P]	38.7/32.3		
C198	4030017730	S.CER C1005 JB 1H 471K-T	[E]	31.3/38.3		
C199	4030016930	S.CER C1005 JB 1A 104K-T	[F]	31.3/39.2		
C200	4030016930	S.CER C1005 JB 1A 104K-T	[G]	31.3/34.1		
C201	4030017730	S.CER C1005 JB 1H 471K-T	[L]	31.3/35.9		
C202	4030017460	S.CER C1005 JB 1H 102K-T	[I]	112/38.9		
C203	4030017460	S.CER C1005 JB 1H 102K-T	[H]	100.5/47.4		
C204	4030017700	S.CER C1005 CH 1H 151J-T	[R]	66.4/33.1		
C205	4030018900	S.CER C1005 JB 0J 474K-T	[C]	79.6/19.3		
C206	4030016930	S.CER C1005 JB 1A 104K-T	[O]	78.5/16.7		
C207	4030017730	S.CER C1005 JB 1H 471K-T	[K]	54.2/27.8		
C208	4030017460	S.CER C1005 JB 1H 102K-T	[D]	55.3/32.2		
C209	4030017460	S.CER C1005 JB 1H 102K-T	[P]	52.6/35.9		
C210	4030017380	S.CER C1005 CH 1H 050B-T	[E]	52.7/33.4		
C211	4030017610	S.CER C1005 CH 1H 090C-T	[F]	54.7/34.9		
C212	4030017460	S.CER C1005 JB 1H 102K-T	[G]	53.9/38		
C213	4030017460	S.CER C1005 JB 1H 102K-T	[L]	55.8/42.5		
C214	4030017460	S.CER C1005 JB 1H 102K-T	[I]	58.6/34.7		
C215	4030017580	S.CER C1005 CH 1H 060C-T	[H]	39.5/44.6		
C216	4030017580	S.CER C1005 CH 1H 060C-T	[O]	41.5/44.6		
	4030017580	S.CER C1005 CH 1H 060C-T	[K]			
	4030017620	S.CER C1005 CH 1H 100C-T	[D]			
	4030017620	S.CER C1005 CH 1H 100C-T	[P]			
	4030017580	S.CER C1005 CH 1H 060C-T	[E]			
	4030017580	S.CER C1005 CH 1H 060C-T	[F]			
	4030017580	S.CER C1005 CH 1H 060C-T	[G]			
	4030017580	S.CER C1005 CH 1H 060C-T	[L]			
	4030017580	S.CER C1005 CH 1H 060C-T	[I]			
	4030017620	S.CER C1005 CH 1H 100C-T	[H]			
	4030017580	S.CER C1005 CH 1H 060C-T	[R]			
	4030017630	S.CER C1005 CH 1H 120J-T	[C]			
	4030017630	S.CER C1005 CH 1H 120J-T	[O]			
	4030017630	S.CER C1005 CH 1H 120J-T	[K]			
4030017390	S.CER C1005 CH 1H 180J-T	[D]				
4030017390	S.CER C1005 CH 1H 180J-T	[P]				
4030017630	S.CER C1005 CH 1H 120J-T	[E]				
4030017630	S.CER C1005 CH 1H 120J-T	[F]				
4030017630	S.CER C1005 CH 1H 120J-T	[G]				
4030017630	S.CER C1005 CH 1H 120J-T	[L]				
4030017630	S.CER C1005 CH 1H 120J-T	[I]				
4030017390	S.CER C1005 CH 1H 180J-T	[H]				
4030017630	S.CER C1005 CH 1H 120J-T	[R]				
C217	4030017730	S.CER C1005 JB 1H 471K-T	[C]	25.4/33.2		
C218	4030016930	S.CER C1005 JB 1A 104K-T	[O]	23.8/33.2		
C219	4030017570	S.CER C1005 CH 1H 040B-T	[K]	22.7/36.5		
C220	4030017570	S.CER C1005 CH 1H 040B-T	[D]	22.2/37.7		
	4030017570	S.CER C1005 CH 1H 040B-T	[P]			
	4030017570	S.CER C1005 CH 1H 040B-T	[E]			
	4030017570	S.CER C1005 CH 1H 040B-T	[F]			
	4030017570	S.CER C1005 CH 1H 040B-T	[G]			
	4030017570	S.CER C1005 CH 1H 040B-T	[L]			
	4030017570	S.CER C1005 CH 1H 040B-T	[I]			
	4030017570	S.CER C1005 CH 1H 040B-T	[H]			
	4030017570	S.CER C1005 CH 1H 040B-T	[R]			
	4030017550	S.CER C1005 CH 1H 1R5B-T	[C]		5.6/23.2	
	C221	4030016930	S.CER C1005 JB 1A 104K-T		[O]	128.7/45.9
	C222	4030017030	S.CER C1005 JB 1A 273K-T		[K]	123.5/43.9
	C223	4030016930	S.CER C1005 JB 1A 104K-T		[D]	123/39.9
	C224	4030017640	S.CER C1005 CH 1H 150J-T		[P]	125/36.8
C225	4030016790	S.CER C1005 JB 1E 103K-T	[E]	123.4/40.8		
C226	4030017580	S.CER C1005 CH 1H 060C-T	[F]	48/35		
C227	4030017460	S.CER C1005 JB 1H 102K-T	[G]	49.4/37.2		
C228	4030017460	S.CER C1005 JB 1H 102K-T	[L]	50.8/40.8		
4030017460	S.CER C1005 JB 1H 102K-T	[I]				
4030017460	S.CER C1005 JB 1H 102K-T	[H]				
4030017460	S.CER C1005 JB 1H 102K-T	[R]				
4030017620	S.CER C1005 CH 1H 100C-T	[C]				
4030017620	S.CER C1005 CH 1H 100C-T	[O]				
4030017620	S.CER C1005 CH 1H 100C-T	[K]				
4030017570	S.CER C1005 CH 1H 040B-T	[D]				
4030017570	S.CER C1005 CH 1H 040B-T	[P]				
4030017620	S.CER C1005 CH 1H 100C-T	[E]				
4030017620	S.CER C1005 CH 1H 100C-T	[F]				
4030017620	S.CER C1005 CH 1H 100C-T	[G]				
4030017620	S.CER C1005 CH 1H 100C-T	[L]				
4030017620	S.CER C1005 CH 1H 100C-T	[I]				
4030017620	S.CER C1005 CH 1H 100C-T	[H]				
4030017620	S.CER C1005 CH 1H 100C-T	[R]				
C230	4030017460	S.CER C1005 JB 1H				

[MAIN-A UNIT] (For MDC compatible versions)

REF NO.	PARTS NO.	DESCRIPTION	M.	H/V LOCATION
C235	4030017460	S.CER C1005 JB 1H 102K-T	B	45.8/42.9
C236	4030017580	S.CER C1005 CH 1H 060C-T	B	44.2/44.6
	4030017580	S.CER C1005 CH 1H 060C-T	[C]	
	4030017580	S.CER C1005 CH 1H 060C-T	[O]	
	4030017620	S.CER C1005 CH 1H 100C-T	[K]	
	4030017620	S.CER C1005 CH 1H 100C-T	[D]	
	4030017580	S.CER C1005 CH 1H 060C-T	[P]	
	4030017580	S.CER C1005 CH 1H 060C-T	[E]	
	4030017580	S.CER C1005 CH 1H 060C-T	[F]	
	4030017580	S.CER C1005 CH 1H 060C-T	[G]	
	4030017580	S.CER C1005 CH 1H 060C-T	[L]	
	4030017580	S.CER C1005 CH 1H 060C-T	[I]	
	4030017620	S.CER C1005 CH 1H 100C-T	[H]	
	4030017580	S.CER C1005 CH 1H 060C-T	[R]	
C237	4030017620	S.CER C1005 CH 1H 100C-T	B	45.1/46
	4030017620	S.CER C1005 CH 1H 100C-T	[O]	
	4030017620	S.CER C1005 CH 1H 100C-T	[K]	
	4030017400	S.CER C1005 CH 1H 220J-T	[D]	
	4030017400	S.CER C1005 CH 1H 220J-T	[P]	
	4030017620	S.CER C1005 CH 1H 100C-T	[E]	
	4030017620	S.CER C1005 CH 1H 100C-T	[F]	
	4030017620	S.CER C1005 CH 1H 100C-T	[G]	
	4030017620	S.CER C1005 CH 1H 100C-T	[L]	
	4030017620	S.CER C1005 CH 1H 100C-T	[I]	
	4030017400	S.CER C1005 CH 1H 220J-T	[H]	
	4030017620	S.CER C1005 CH 1H 100C-T	[R]	
C239	4030017550	S.CER C1005 CH 1H 1R5B-T	B	12.9/35.7
	4030017550	S.CER C1005 CH 1H 1R5B-T	[O]	
	4030017550	S.CER C1005 CH 1H 1R5B-T	[K]	
	4030017350	S.CER C1005 CH 1H 020B-T	[D]	
	4030017350	S.CER C1005 CH 1H 020B-T	[P]	
	4030017550	S.CER C1005 CH 1H 1R5B-T	[E]	
	4030017550	S.CER C1005 CH 1H 1R5B-T	[F]	
	4030017550	S.CER C1005 CH 1H 1R5B-T	[G]	
	4030017550	S.CER C1005 CH 1H 1R5B-T	[L]	
	4030017550	S.CER C1005 CH 1H 1R5B-T	[I]	
	4030017350	S.CER C1005 CH 1H 020B-T	[H]	
	4030017550	S.CER C1005 CH 1H 1R5B-T	[R]	
C240	4030017610	S.CER C1005 CH 1H 090C-T	B	14/34.4
	4030017610	S.CER C1005 CH 1H 090C-T	[O]	
	4030017610	S.CER C1005 CH 1H 090C-T	[K]	
	4030017600	S.CER C1005 CH 1H 080C-T	[D]	
	4030017600	S.CER C1005 CH 1H 080C-T	[P]	
	4030017610	S.CER C1005 CH 1H 090C-T	[E]	
	4030017610	S.CER C1005 CH 1H 090C-T	[F]	
	4030017610	S.CER C1005 CH 1H 090C-T	[G]	
	4030017610	S.CER C1005 CH 1H 090C-T	[L]	
	4030017610	S.CER C1005 CH 1H 090C-T	[I]	
	4030017600	S.CER C1005 CH 1H 080C-T	[H]	
	4030017610	S.CER C1005 CH 1H 090C-T	[R]	
C241	4030017340	S.CER C1005 CH 1H 010B-T	B	15.5/37.7
	4030017340	S.CER C1005 CH 1H 010B-T	[O]	
	4030017340	S.CER C1005 CH 1H 010B-T	[K]	
	4030017520	S.CER C1005 CH 1H 0R3B-T	[D]	
	4030017520	S.CER C1005 CH 1H 0R3B-T	[P]	
	4030017340	S.CER C1005 CH 1H 010B-T	[E]	
	4030017340	S.CER C1005 CH 1H 010B-T	[F]	
	4030017340	S.CER C1005 CH 1H 010B-T	[G]	
	4030017340	S.CER C1005 CH 1H 010B-T	[L]	
	4030017340	S.CER C1005 CH 1H 010B-T	[I]	
	4030017520	S.CER C1005 CH 1H 0R3B-T	[H]	
	4030017340	S.CER C1005 CH 1H 010B-T	[R]	
C242	4030017610	S.CER C1005 CH 1H 090C-T	B	10.4/35.7
	4030017610	S.CER C1005 CH 1H 090C-T	[O]	
	4030017610	S.CER C1005 CH 1H 090C-T	[K]	
	4030017600	S.CER C1005 CH 1H 080C-T	[D]	
	4030017600	S.CER C1005 CH 1H 080C-T	[P]	
	4030017610	S.CER C1005 CH 1H 090C-T	[E]	
	4030017610	S.CER C1005 CH 1H 090C-T	[F]	
	4030017610	S.CER C1005 CH 1H 090C-T	[G]	
	4030017610	S.CER C1005 CH 1H 090C-T	[L]	
	4030017610	S.CER C1005 CH 1H 090C-T	[I]	
	4030017600	S.CER C1005 CH 1H 080C-T	[H]	
	4030017610	S.CER C1005 CH 1H 090C-T	[R]	
C243	4030017460	S.CER C1005 JB 1H 102K-T	B	15.4/32.2
C244	4030017460	S.CER C1005 JB 1H 102K-T	B	9.7/31.4
C245	4550006780	S.TAN TEESVB2 0J 476M8R	B	5.6/18.7
C246	4030016930	S.CER C1005 JB 1A 104K-T	B	104.2/52.7
C247	4030016930	S.CER C1005 JB 1A 104K-T	B	106/54.6
C248	4030016930	S.CER C1005 JB 1A 104K-T	B	107.6/52.4
C249	4030018900	S.CER C1005 JB 0J 474K-T	B	121/47.2
C250	4030017630	S.CER C1005 CH 1H 120J-T	T	120.4/39.9
C251	4030017380	S.CER C1005 CH 1H 050B-T	B	66.3/65.9
	4030017380	S.CER C1005 CH 1H 050B-T	[C]	
	4030017380	S.CER C1005 CH 1H 050B-T	[O]	
	4030017380	S.CER C1005 CH 1H 050B-T	[K]	
	4030017370	S.CER C1005 CH 1H 3R5B-T	[D]	
	4030017370	S.CER C1005 CH 1H 3R5B-T	[P]	
	4030017380	S.CER C1005 CH 1H 050B-T	[E]	
	4030017380	S.CER C1005 CH 1H 050B-T	[F]	
	4030017380	S.CER C1005 CH 1H 050B-T	[G]	
	4030017380	S.CER C1005 CH 1H 050B-T	[L]	
	4030017380	S.CER C1005 CH 1H 050B-T	[I]	
	4030017370	S.CER C1005 CH 1H 3R5B-T	[H]	
	4030017380	S.CER C1005 CH 1H 050B-T	[R]	
C252	4030017420	S.CER C1005 CH 1H 470J-T	B	61/66.2
C253	4030017730	S.CER C1005 JB 1H 471K-T	B	65.1/70.5
C254	4030017420	S.CER C1005 CH 1H 470J-T	B	69.9/71.1
C255	4030017420	S.CER C1005 CH 1H 470J-T	B	63.2/65

[MAIN-A UNIT] (For MDC compatible versions)

REF NO.	PARTS NO.	DESCRIPTION	M.	H/V LOCATION
C257	4030017530	S.CER C1005 CH 1H 0R5B-T	B	70.2/66.9
	4030017530	S.CER C1005 CH 1H 0R5B-T	[C]	
	4030017530	S.CER C1005 CH 1H 0R5B-T	[O]	
	4030017530	S.CER C1005 CH 1H 0R5B-T	[K]	
	4030017520	S.CER C1005 CH 1H 0R3B-T	[D]	
	4030017520	S.CER C1005 CH 1H 0R3B-T	[P]	
	4030017530	S.CER C1005 CH 1H 0R5B-T	[E]	
	4030017530	S.CER C1005 CH 1H 0R5B-T	[F]	
	4030017530	S.CER C1005 CH 1H 0R5B-T	[G]	
	4030017530	S.CER C1005 CH 1H 0R5B-T	[L]	
	4030017530	S.CER C1005 CH 1H 0R5B-T	[I]	
	4030017520	S.CER C1005 CH 1H 0R3B-T	[H]	
	4030017530	S.CER C1005 CH 1H 0R5B-T	[R]	
C258	4030017460	S.CER C1005 JB 1H 102K-T	B	6.5/33.5
C259	4030017460	S.CER C1005 JB 1H 102K-T	B	16.4/42.4
C260	4030017340	S.CER C1005 CH 1H 010B-T	B	9.5/35.7
	4030017340	S.CER C1005 CH 1H 010B-T	[D]	
	4030017340	S.CER C1005 CH 1H 010B-T	[P]	
	4030017340	S.CER C1005 CH 1H 010B-T	[H]	
C261	4030017460	S.CER C1005 JB 1H 102K-T	B	8.1/34.4
C262	4030017460	S.CER C1005 JB 1H 102K-T	B	9/36.9
C263	4030016790	S.CER C1005 JB 1E 103K-T	B	5.4/36.4
C265	4030017420	S.CER C1005 CH 1H 470J-T	B	6.9/40.3
C266	4030017420	S.CER C1005 CH 1H 470J-T	B	7.3/39.4
C267	4030017460	S.CER C1005 JB 1H 102K-T	B	69/71.1
C268	4030017360	S.CER C1005 CH 1H 030B-T	B	72.3/69.4
C269	4030017550	S.CER C1005 CH 1H 1R5B-T	B	73.5/66.9
C270	4030017580	S.CER C1005 CH 1H 060C-T	B	71.1/70.5
	4030017580	S.CER C1005 CH 1H 060C-T	[C]	
	4030017580	S.CER C1005 CH 1H 060C-T	[O]	
	4030017570	S.CER C1005 CH 1H 040B-T	[K]	
	4030017570	S.CER C1005 CH 1H 040B-T	[D]	
	4030017570	S.CER C1005 CH 1H 040B-T	[P]	
	4030017580	S.CER C1005 CH 1H 060C-T	[E]	
	4030017580	S.CER C1005 CH 1H 060C-T	[F]	
	4030017580	S.CER C1005 CH 1H 060C-T	[G]	
	4030017580	S.CER C1005 CH 1H 060C-T	[L]	
	4030017580	S.CER C1005 CH 1H 060C-T	[I]	
	4030017570	S.CER C1005 CH 1H 040B-T	[H]	
	4030017580	S.CER C1005 CH 1H 060C-T	[R]	
C271	4030017340	S.CER C1005 CH 1H 010B-T	B	10.9/36.9
	4030017340	S.CER C1005 CH 1H 010B-T	[O]	
	4030017340	S.CER C1005 CH 1H 010B-T	[K]	
	4030017520	S.CER C1005 CH 1H 0R3B-T	[D]	
	4030017520	S.CER C1005 CH 1H 0R3B-T	[P]	
	4030017340	S.CER C1005 CH 1H 010B-T	[E]	
	4030017340	S.CER C1005 CH 1H 010B-T	[F]	
	4030017340	S.CER C1005 CH 1H 010B-T	[G]	
	4030017340	S.CER C1005 CH 1H 010B-T	[L]	
	4030017340	S.CER C1005 CH 1H 010B-T	[I]	
	4030017520	S.CER C1005 CH 1H 0R3B-T	[H]	
	4030017340	S.CER C1005 CH 1H 010B-T	[R]	
C272	4030016930	S.CER C1005 JB 1A 104K-T	B	12.2/43.3
C273	4030016930	S.CER C1005 JB 1A 104K-T	T	12.8/40.8
C274	4030017460	S.CER C1005 JB 1H 102K-T	B	3.9/41
C275	4030017420	S.CER C1005 CH 1H 470J-T	B	13.5/39.1
C276	4030017590	S.CER C1005 CH 1H 070C-T	B	10/41.9
C277	4030017460	S.CER C1005 JB 1H 102K-T	T	13.5/39.1
C278	4030017590	S.CER C1005 CH 1H 070C-T	B	9.5/43.2
	4030017590	S.CER C1005 CH 1H 070C-T	[C]	
	4030017590	S.CER C1005 CH 1H 070C-T	[O]	
	4030017590	S.CER C1005 CH 1H 070C-T	[K]	
	4030017580	S.CER C1005 CH 1H 060C-T	[D]	
	4030017580	S.CER C1005 CH 1H 060C-T	[P]	
	4030017590	S.CER C1005 CH 1H 070C-T	[E]	
	4030017590	S.CER C1005 CH 1H 070C-T	[F]	
	4030017590	S.CER C1005 CH 1H 070C-T	[G]	
	4030017590	S.CER C1005 CH 1H 070C-T	[L]	
	4030017590	S.CER C1005 CH 1H 070C-T	[I]	
	4030017580	S.CER C1005 CH 1H 060C-T	[H]	
	4030017590	S.CER C1005 CH 1H 070C-T	[R]	
C279	4030017410	S.CER C1005 CH 1H 240J-T	B	6.7/45.2
C280	4030017560	S.CER C1005 CH 1H 2R5B-T	B	10/46.8
	4030017560	S.CER C1005 CH 1H 2R5B-T	[C]	
	4030017560	S.CER C1005 CH 1H 2R5B-T	[O]	
	4030017560	S.CER C1005 CH 1H 2R5B-T	[K]	
	4030017350	S.CER C1005 CH 1H 020B-T	[D]	
	4030017350	S.CER C1005 CH 1H 020B-T	[P]	
	4030017560	S.CER C1005 CH 1H 2R5B-T	[E]	
	4030017560	S.CER C1005 CH 1H 2R5B-T	[F]	
	4030017560	S.CER C1005 CH 1H 2R5B-T	[G]	
	4030017560	S.CER C1005 CH 1H 2R5B-T	[L]	
	4030017560	S.CER C1005 CH 1H 2R5B-T	[I]	
	4030017350	S.CER C1005 CH 1H 020B-T	[H]	

[MAIN-A UNIT] (For MDC compatible versions)

REF NO.	PARTS NO.	DESCRIPTION	M.	H/V LOCATION		
C290	4030017580	S.CER C1005 CH 1H 060C-T	[C]	T 73.9/75.6		
	4030017580	S.CER C1005 CH 1H 060C-T	[O]			
	4030017580	S.CER C1005 CH 1H 060C-T	[K]			
	4030017570	S.CER C1005 CH 1H 040B-T	[D]			
	4030017570	S.CER C1005 CH 1H 040B-T	[P]			
	4030017580	S.CER C1005 CH 1H 060C-T	[E]			
	4030017580	S.CER C1005 CH 1H 060C-T	[F]			
	4030017580	S.CER C1005 CH 1H 060C-T	[G]			
	4030017580	S.CER C1005 CH 1H 060C-T	[L]			
	4030017580	S.CER C1005 CH 1H 060C-T	[I]			
	4030017570	S.CER C1005 CH 1H 040B-T	[H]			
	4030017580	S.CER C1005 CH 1H 060C-T	[R]			
	C291	4030017730	S.CER C1005 JB 1H 471K-T		T	69.2/76.6
	C294	4030017420	S.CER C1005 CH 1H 470J-T		T	70.3/76.6
	C295	4030017420	S.CER C1005 CH 1H 470J-T		B	58.4/69.9
	C296	4510008530	S.ELE EEE1HA2R2SR		T	57.9/80.3
	C297	4030017460	S.CER C1005 JB 1H 102K-T		B	58.4/67.9
C299	4030017410	S.CER C1005 CH 1H 240J-T	B	6.7/48.4		
C300	4030017590	S.CER C1005 CH 1H 070C-T	[C]	B 9.5/50.4		
	4030017590	S.CER C1005 CH 1H 070C-T	[O]			
	4030017590	S.CER C1005 CH 1H 070C-T	[K]			
	4030017580	S.CER C1005 CH 1H 060C-T	[D]			
	4030017580	S.CER C1005 CH 1H 060C-T	[P]			
	4030017590	S.CER C1005 CH 1H 070C-T	[E]			
	4030017590	S.CER C1005 CH 1H 070C-T	[F]			
	4030017590	S.CER C1005 CH 1H 070C-T	[G]			
	4030017590	S.CER C1005 CH 1H 070C-T	[L]			
	4030017590	S.CER C1005 CH 1H 070C-T	[I]			
	4030017580	S.CER C1005 CH 1H 060C-T	[H]			
	4030017590	S.CER C1005 CH 1H 070C-T	[R]			
	C301	4030017590	S.CER C1005 CH 1H 070C-T		B	11.7/48.8
	C302	4030017460	S.CER C1005 JB 1H 102K-T		B	4.1/44.7
	C303	4030016930	S.CER C1005 JB 1A 104K-T		B	127.6/31.4
	C304	4030017420	S.CER C1005 CH 1H 470J-T		T	90.5/43
	C305	4030011050	S.CER GRM31M3C2H3R0CY21L (GRM42-6 CJ)		[C]	T 27.6/79.2
4030011040		S.CER GRM31M4C2H2R0CY21L (GRM42-6 CK)	[O]			
4030011050		S.CER GRM31M3C2H3R0CY21L (GRM42-6 CJ)	[K]			
4030011030		S.CER GRM31M4C2H1R5CY21L (GRM42-6 CK)	[D]			
4030011030		S.CER GRM31M4C2H1R5CY21L (GRM42-6 CK)	[P]			
4030011040		S.CER GRM31M4C2H2R0CY21L (GRM42-6 CK)	[E]			
4030011040		S.CER GRM31M4C2H2R0CY21L (GRM42-6 CK)	[F]			
4030011040		S.CER GRM31M4C2H2R0CY21L (GRM42-6 CK)	[G]			
4030011050		S.CER GRM31M3C2H3R0CY21L (GRM42-6 CJ)	[L]			
4030011040		S.CER GRM31M4C2H2R0CY21L (GRM42-6 CK)	[I]			
4030011030		S.CER GRM31M4C2H1R5CY21L (GRM42-6 CK)	[H]			
4030011050		S.CER GRM31M3C2H3R0CY21L (GRM42-6 CJ)	[R]			
C307		4030011040	S.CER GRM31M4C2H2R0CY21L (GRM42-6 CK)	[C]	T 25.6/73.8	
		4030011040	S.CER GRM31M4C2H2R0CY21L (GRM42-6 CK)	[O]		
		4030011040	S.CER GRM31M4C2H2R0CY21L (GRM42-6 CK)	[K]		
		4030011040	S.CER GRM31M4C2H2R0CY21L (GRM42-6 CK)	[D]		
		4030011020	S.CER GRM31M4C2H1R0CY21L (GRM42-6 CK)	[P]		
	4030011040	S.CER GRM31M4C2H2R0CY21L (GRM42-6 CK)	[E]			
	4030011040	S.CER GRM31M4C2H2R0CY21L (GRM42-6 CK)	[F]			
	4030011040	S.CER GRM31M4C2H2R0CY21L (GRM42-6 CK)	[G]			
	4030011040	S.CER GRM31M4C2H2R0CY21L (GRM42-6 CK)	[L]			
	4030011040	S.CER GRM31M4C2H2R0CY21L (GRM42-6 CK)	[I]			
	4030011040	S.CER GRM31M4C2H2R0CY21L (GRM42-6 CK)	[H]			
	4030011040	S.CER GRM31M4C2H2R0CY21L (GRM42-6 CK)	[R]			

[MAIN-A UNIT] (For MDC compatible versions)

REF NO.	PARTS NO.	DESCRIPTION	M.	H/V LOCATION		
C308	4030011050	S.CER GRM31M3C2H3R0CY21L (GRM42-6 CJ)	[C]	T 27.6/71.2		
	4030011040	S.CER GRM31M4C2H2R0CY21L (GRM42-6 CK)	[O]			
	4030011040	S.CER GRM31M4C2H2R0CY21L (GRM42-6 CK)	[K]			
	4030011040	S.CER GRM31M4C2H2R0CY21L (GRM42-6 CK)	[D]			
	4030011020	S.CER GRM31M4C2H1R0CY21L (GRM42-6 CK)	[P]			
	4030011050	S.CER GRM31M3C2H3R0CY21L (GRM42-6 CJ)	[E]			
	4030011050	S.CER GRM31M3C2H3R0CY21L (GRM42-6 CJ)	[F]			
	4030011050	S.CER GRM31M3C2H3R0CY21L (GRM42-6 CJ)	[G]			
	4030011040	S.CER GRM31M4C2H2R0CY21L (GRM42-6 CK)	[L]			
	4030011040	S.CER GRM31M4C2H2R0CY21L (GRM42-6 CK)	[I]			
	4030011040	S.CER GRM31M4C2H2R0CY21L (GRM42-6 CK)	[H]			
	4030011040	S.CER GRM31M4C2H2R0CY21L (GRM42-6 CK)	[R]			
	C309	4030017460	S.CER C1005 JB 1H 102K-T		T	71.4/76.6
	C310	4030017420	S.CER C1005 CH 1H 470J-T		T	43.9/76.6
	C311	4030017460	S.CER C1005 JB 1H 102K-T		T	45/76.6
	C312	4030017730	S.CER C1005 JB 1H 471K-T		T	46.1/76.6
	C313	4510008680	S.ELE EEE1EA220SP		T	51.8/83
C314	4030017420	S.CER C1005 CH 1H 470J-T	B	33.4/66.3		
C315	4030017460	S.CER C1005 JB 1H 102K-T	B	57.6/63.6		
C316	4030016790	S.CER C1005 JB 1E 103K-T	B	55.9/64.5		
C317	4030016970	S.CER C1005 JB 1E 223K-T	[C]	B 55.8/70.1		
	4030016930	S.CER C1005 JB 1A 104K-T	[O]			
	4030016930	S.CER C1005 JB 1A 104K-T	[K]			
	4030016970	S.CER C1005 JB 1E 223K-T	[D]			
	4030016930	S.CER C1005 JB 1A 104K-T	[P]			
	4030016970	S.CER C1005 JB 1E 223K-T	[E]			
	4030016970	S.CER C1005 JB 1E 223K-T	[F]			
	4030016970	S.CER C1005 JB 1E 223K-T	[G]			
	4030016930	S.CER C1005 JB 1A 104K-T	[L]			
	4030016970	S.CER C1005 JB 1E 223K-T	[I]			
	4030016970	S.CER C1005 JB 1E 223K-T	[H]			
	4030016930	S.CER C1005 JB 1A 104K-T	[R]			
	C318	4030017460	S.CER C1005 JB 1H 102K-T		[C]	T 34.9/66.7
		4030017460	S.CER C1005 JB 1H 102K-T		[O]	
		4030017460	S.CER C1005 JB 1H 102K-T		[K]	
		4030017460	S.CER C1005 JB 1H 102K-T		[D]	
		4030017460	S.CER C1005 JB 1H 102K-T		[E]	
4030017460		S.CER C1005 JB 1H 102K-T	[F]			
4030017460		S.CER C1005 JB 1H 102K-T	[G]			
4030017460		S.CER C1005 JB 1H 102K-T	[I]			
4030017460		S.CER C1005 JB 1H 102K-T	[H]			
4030017460		S.CER C1005 JB 1H 102K-T	[R]			
C319		4030017460	S.CER C1005 JB 1H 102K-T	[C]	B 45.3/66.9	
		4030017460	S.CER C1005 JB 1H 102K-T	[O]		
		4030017460	S.CER C1005 JB 1H 102K-T	[K]		
		4030017460	S.CER C1005 JB 1H 102K-T	[D]		
		4030017460	S.CER C1005 JB 1H 102K-T	[E]		
		4030017460	S.CER C1005 JB 1H 102K-T	[F]		
		4030017460	S.CER C1005 JB 1H 102K-T	[G]		
	4030017460	S.CER C1005 JB 1H 102K-T	[I]			
	4030017460	S.CER C1005 JB 1H 102K-T	[H]			
	4030017460	S.CER C1005 JB 1H 102K-T	[R]			
	C320	4030017510	S.CER C1005 CH 1H 680J-T	B		13.9/52.1
	C321	4030017460	S.CER C1005 JB 1H 102K-T	B		16.5/48.8
	C322	4030017350	S.CER C1005 CH 1H 020B-T	[C]		B 21.2/51.2
		4030017350	S.CER C1005 CH 1H 020B-T	[O]		
		4030017350	S.CER C1005 CH 1H 020B-T	[K]		
		4030017530	S.CER C1005 CH 1H 0R5B-T	[D]		
		4030017530	S.CER C1005 CH 1H 0R5B-T	[P]		
4030017350		S.CER C1005 CH 1H 020B-T	[E]			
4030017350		S.CER C1005 CH 1H 020B-T	[F]			
4030017350		S.CER C1005 CH 1H 020B-T	[G]			
4030017350		S.CER C1005 CH 1H 020B-T	[L]			
4030017350		S.CER C1005 CH 1H 020B-T	[I]			
4030017530		S.CER C1005 CH 1H 0R5B-T	[H]			
4030017350		S.CER C1005 CH 1H 020B-T	[R]			
C324		4030017420	S.CER C1005 CH 1H 470J-T	T	90.1/41.7	
C325		4030017460	S.CER C1005 JB 1H 102K-T	T	73.2/67.6	
C326		4030017420	S.CER C1005 CH 1H 470J-T	B	40.5/67.3	
C327		4030017460	S.CER C1005 JB 1H 102K-T	B	83.9/79.3	
C328		4030017420	S.CER C1005 CH 1H 470J-T	B	82.9/79.3	
C329	4030017400	S.CER C1005 CH 1H 220J-T	B	81.9/79.3		
C330	4510008540	S.ELE EEE1CA100SR	T	96.7/53.9		
C331	4510008540	S.ELE EEE1CA100SR	T	60.6/55.1		
C332	4030017780	S.CER C1005 JB 1H 472K-T	B	53.5/66.1		
C334	4030017460	S.CER C1005 JB 1H 102K-T	B	50.8/70.2		
C335	4030017460	S.CER C1005 JB 1H 102K-T	B	48.7/69.4		
C336	4030011030	S.CER GRM31M4C2H1R5CY21L (GRM42-6 CK)	[O]	T 14.3/56.9		
	4030011030	S.CER GRM31M4C2H1R5CY21L (GRM42-6 CK)	[K]			
	4030011030	S.CER GRM31M4C2H1R5CY21L (GRM42-6 CK)	[L]			
	4030011030	S.CER GRM31M4C2H1R5CY21L (GRM42-6 CK)	[R]			
	C337	4030017600	S.CER C1005 CH 1H 080C-T		[C]	B 28.2/53.7
		4030017600	S.CER C1005 CH 1H 080C-T		[O]	
		4030017600	S.CER C1005 CH 1H 080C-T		[K]	
		4030017380	S.CER C1005 CH 1H 050B-T		[D]	
		4030017380	S.CER C1005 CH 1H 050B-T		[P]	
		4030017600	S.CER C1005 CH 1H 080C-T		[E]	
		4030017600	S.CER C1005 CH 1H 080C-T		[F]	
		4030017600	S.CER C1005 CH 1H 080C-T		[G]	
		4030017600	S.CER C1005 CH 1H 080C-T		[L]	
		4030017600	S.CER C1005 CH 1H 080C-T		[I]	
		4030017380	S.CER C1005 CH 1H 050B-T		[H]	
		4030017600	S.CER C1005 CH 1H 080C-T		[R]	
		C338	4510008540		S.ELE EEE1CA100SR	
C339		4030017460	S.CER C1005 JB 1H 102K-T	T	79.1/62.1	

M.=Mounted side (T: Mounted on the Top side, B: Mounted on the Bottom side)
S.=Surface mount

[MAIN-A UNIT] (For MDC compatible versions)

REF NO.	PARTS NO.	DESCRIPTION	M.	H/V LOCATION
C340	4030017460	S.CER C1005 JB 1H 102K-T	T	63.5/55.5
C341	4030016790	S.CER C1005 JB 1E 103K-T	T	68.1/52.3
C342	4030017200	S.CER GRM31BR32J102KY01L	T	26.8/61.7
C343	4030011050	S.CER GRM31M3C2H3R0CY21L (GRM42-6 CJ)	[C] T	23/63.3
	4030011050	S.CER GRM31M3C2H3R0CY21L (GRM42-6 CJ)	[O]	
	4030011050	S.CER GRM31M3C2H3R0CY21L (GRM42-6 CJ)	[K]	
	4030011040	S.CER GRM31M4C2H2R0CY21L (GRM42-6 CK)	[D]	
	4030011040	S.CER GRM31M4C2H2R0CY21L (GRM42-6 CK)	[P]	
	4030011050	S.CER GRM31M3C2H3R0CY21L (GRM42-6 CJ)	[E]	
	4030011050	S.CER GRM31M3C2H3R0CY21L (GRM42-6 CJ)	[F]	
	4030011050	S.CER GRM31M3C2H3R0CY21L (GRM42-6 CJ)	[G]	
	4030011050	S.CER GRM31M3C2H3R0CY21L (GRM42-6 CJ)	[L]	
	4030011050	S.CER GRM31M3C2H3R0CY21L (GRM42-6 CJ)	[I]	
	4030011040	S.CER GRM31M4C2H2R0CY21L (GRM42-6 CK)	[H]	
	4030011050	S.CER GRM31M3C2H3R0CY21L (GRM42-6 CJ)	[R]	
C344	4030011050	S.CER GRM31M3C2H3R0CY21L (GRM42-6 CJ)	T	20.9/63.3
C345	4030011050	S.CER GRM31M3C2H3R0CY21L (GRM42-6 CJ)	[C] T	18.3/58.5
	4030011060	S.CER GRM31M2C2H4R0CY21L (GRM42-6 CH)	[O]	
	4030011060	S.CER GRM31M2C2H4R0CY21L (GRM42-6 CH)	[K]	
	4030011050	S.CER GRM31M3C2H3R0CY21L (GRM42-6 CJ)	[D]	
	4030011050	S.CER GRM31M3C2H3R0CY21L (GRM42-6 CJ)	[P]	
	4030011050	S.CER GRM31M3C2H3R0CY21L (GRM42-6 CJ)	[E]	
	4030011050	S.CER GRM31M3C2H3R0CY21L (GRM42-6 CJ)	[F]	
	4030011050	S.CER GRM31M3C2H3R0CY21L (GRM42-6 CJ)	[G]	
	4030011060	S.CER GRM31M2C2H4R0CY21L (GRM42-6 CH)	[L]	
	4030011050	S.CER GRM31M3C2H3R0CY21L (GRM42-6 CJ)	[I]	
	4030011050	S.CER GRM31M3C2H3R0CY21L (GRM42-6 CJ)	[H]	
	4030011060	S.CER GRM31M2C2H4R0CY21L (GRM42-6 CH)	[R]	
C346	4030011070	S.CER GRM31M2C2H5R0CY21L (GRM42-6 CH)	T	34.3/58.3
C347	4030017520	S.CER C1005 CH 1H 0R3B-T	B	33.7/61.7
C348	4030017460	S.CER C1005 JB 1H 102K-T	B	39.7/61.7
C349	4030011060	S.CER GRM31M2C2H4R0CY21L (GRM42-6 CH)	T	10.3/61.7
C350	4030011070	S.CER GRM31M2C2H5R0CY21L (GRM42-6 CH)	[C] T	12.9/65.2
	4030011060	S.CER GRM31M2C2H4R0CY21L (GRM42-6 CH)	[O]	
	4030011060	S.CER GRM31M2C2H4R0CY21L (GRM42-6 CH)	[K]	
	4030011050	S.CER GRM31M3C2H3R0CY21L (GRM42-6 CJ)	[D]	
	4030011050	S.CER GRM31M3C2H3R0CY21L (GRM42-6 CJ)	[P]	
	4030011070	S.CER GRM31M2C2H5R0CY21L (GRM42-6 CH)	[E]	
	4030011070	S.CER GRM31M2C2H5R0CY21L (GRM42-6 CH)	[F]	
	4030011070	S.CER GRM31M2C2H5R0CY21L (GRM42-6 CH)	[G]	
	4030011060	S.CER GRM31M2C2H4R0CY21L (GRM42-6 CH)	[L]	
	4030011070	S.CER GRM31M2C2H5R0CY21L (GRM42-6 CH)	[I]	
	4030011050	S.CER GRM31M3C2H3R0CY21L (GRM42-6 CJ)	[H]	
	4030011060	S.CER GRM31M2C2H4R0CY21L (GRM42-6 CH)	[R]	
C351	4030016930	S.CER C1005 JB 1A 104K-T	T	110.8/66.5
C352	4030017460	S.CER C1005 JB 1H 102K-T	B	124.6/59.7
C353	4550006250	S.TAN TEESVA 1A 106M8R	B	124/61.3
C354	4550006250	S.TAN TEESVA 1A 106M8R	B	112.9/61.7
C355	4030017420	S.CER C1005 CH 1H 470J-T	B	112.6/60.1

[MAIN-A UNIT] (For MDC compatible versions)

REF NO.	PARTS NO.	DESCRIPTION	M.	H/V LOCATION
C356	4030011070	S.CER GRM31M2C2H5R0CY21L (GRM42-6 CH)	[C] T	15.7/65.2
	4030011070	S.CER GRM31M2C2H5R0CY21L (GRM42-6 CH)	[O]	
	4030011070	S.CER GRM31M2C2H5R0CY21L (GRM42-6 CH)	[K]	
	4030011060	S.CER GRM31M2C2H4R0CY21L (GRM42-6 CH)	[D]	
	4030011060	S.CER GRM31M2C2H4R0CY21L (GRM42-6 CH)	[P]	
	4030011070	S.CER GRM31M2C2H5R0CY21L (GRM42-6 CH)	[E]	
	4030011070	S.CER GRM31M2C2H5R0CY21L (GRM42-6 CH)	[F]	
	4030011070	S.CER GRM31M2C2H5R0CY21L (GRM42-6 CH)	[G]	
	4030011070	S.CER GRM31M2C2H5R0CY21L (GRM42-6 CH)	[L]	
	4030011070	S.CER GRM31M2C2H5R0CY21L (GRM42-6 CH)	[I]	
	4030011060	S.CER GRM31M2C2H4R0CY21L (GRM42-6 CH)	[H]	
	4030011070	S.CER GRM31M2C2H5R0CY21L (GRM42-6 CH)	[R]	
C357	4030011060	S.CER GRM31M2C2H4R0CY21L (GRM42-6 CH)	[C] T	4.2/63.3
	4030011060	S.CER GRM31M2C2H4R0CY21L (GRM42-6 CH)	[O]	
	4030011060	S.CER GRM31M2C2H4R0CY21L (GRM42-6 CH)	[K]	
	4030011030	S.CER GRM31M4C2H1R5CY21L (GRM42-6 CK)	[D]	
	4030011030	S.CER GRM31M4C2H1R5CY21L (GRM42-6 CK)	[P]	
	4030011060	S.CER GRM31M2C2H4R0CY21L (GRM42-6 CH)	[E]	
	4030011060	S.CER GRM31M2C2H4R0CY21L (GRM42-6 CH)	[F]	
	4030011060	S.CER GRM31M2C2H4R0CY21L (GRM42-6 CH)	[G]	
	4030011060	S.CER GRM31M2C2H4R0CY21L (GRM42-6 CH)	[L]	
	4030011060	S.CER GRM31M2C2H4R0CY21L (GRM42-6 CH)	[I]	
	4030011030	S.CER GRM31M4C2H1R5CY21L (GRM42-6 CK)	[H]	
	4030011060	S.CER GRM31M2C2H4R0CY21L (GRM42-6 CH)	[R]	
C358	4030009530	S.CER C1608 CH 1H 030B-T	B	10.7/61.4
C359	4030006860	S.CER C1608 JB 1H 102K-T	B	9.9/59.5
C360	4030017460	S.CER C1005 JB 1H 102K-T	B	8.7/54
C361	4030017460	S.CER C1005 JB 1H 102K-T	T	101.3/52.9
C362	4030017460	S.CER C1005 JB 1H 102K-T	T	106.3/21.1
C363	4510008540	S.ELE EEE1CA100SR	T	139.1/31.9
C365	4550007650	S.TAN F931V105MAABMA	B	107.7/65.1
C366	4550007650	S.TAN F931V105MAABMA	B	105.6/65.1
C367	4550007650	S.TAN F931V105MAABMA	B	103.5/65.1
C368	4550007650	S.TAN F931V105MAABMA	B	101.4/65.1
C369	4030011070	S.CER GRM31M2C2H5R0CY21L (GRM42-6 CH)	T	15.3/81.1
C370	4030011050	S.CER GRM31M3C2H3R0CY21L (GRM42-6 CH)	[C] T	5.3/81.1
	4030011060	S.CER GRM31M2C2H4R0CY21L (GRM42-6 CH)	[O]	
	4030011060	S.CER GRM31M2C2H4R0CY21L (GRM42-6 CH)	[K]	
	4030011040	S.CER GRM31M4C2H2R0CY21L (GRM42-6 CK)	[D]	
	4030011040	S.CER GRM31M4C2H2R0CY21L (GRM42-6 CK)	[P]	
	4030011050	S.CER GRM31M3C2H3R0CY21L (GRM42-6 CJ)	[E]	
	4030011050	S.CER GRM31M3C2H3R0CY21L (GRM42-6 CJ)	[F]	
	4030011050	S.CER GRM31M3C2H3R0CY21L (GRM42-6 CJ)	[G]	
	4030011060	S.CER GRM31M2C2H4R0CY21L (GRM42-6 CH)	[L]	
	4030011050	S.CER GRM31M3C2H3R0CY21L (GRM42-6 CJ)	[I]	
	4030011040	S.CER GRM31M4C2H2R0CY21L (GRM42-6 CK)	[H]	
	4030011060	S.CER GRM31M2C2H4R0CY21L (GRM42-6 CH)	[R]	
C371	4030017460	S.CER C1005 JB 1H 102K-T	B	2.9/80.8
C372	4030006860	S.CER C1608 JB 1H 102K-T	B	8.3/79.6
C373	4030016790	S.CER C1005 JB 1E 103K-T	B	130.6/51.7
C374	4030016930	S.CER C1005 JB 1A 104K-T	B	132.8/51.3
C375	4030016930	S.CER C1005 JB 1A 104K-T	B	132.4/54.6
C377	4030017460	S.CER C1005 JB 1H 102K-T	T	104.7/52.9
C378	4030017460	S.CER C1005 JB 1H 102K-T	B	105.1/80.9
C379	4030016930	S.CER C1005 JB 1A 104K-T	B	110.5/84.5
C380	4030017460	S.CER C1005 JB 1H 102K-T	T	120.9/85.3
C381	4030016790	S.CER C1005 JB 1E 103K-T	B	135.9/70.5
C382	4510008680	S.ELE EEE1EA220SP	T	68.6/63.4
C383	4030017460	S.CER C1005 JB 1H 102K-T	B	135.9/71.5
C384	4510008870	S.ELE EEE1AA471UP	T	129.9/64.9
C386	4030016930	S.CER C1005 JB 1A 104K-T	B	138.8/53.7
C387	4030017730	S.CER C1005 JB 1H 471K-T	B	135.4/51.3
C388	4030018860	S.CER C1005 JB 0J 105K-T	B	138.7/52.2
C389	4030016930	S.CER C1005 JB 1A 104K-T	B	139.1/48.5
C390	4030016930	S.CER C1005 JB 1A 104K-T	B	137.8/55.4
C391	4030016930	S.CER C1005 JB 1A 104K-T	T	107.6/80
C392	4030017460	S.CER C1005 JB 1H 102K-T	B	131.3/74.7
C393	4030017460	S.CER C1005 JB 1H 102K-T	B	98.3/79.2

M.=Mounted side (T: Mounted on the Top side, B: Mounted on the Bottom side)
S.=Surface mount

[MAIN-A UNIT] (For MDC compatible versions)

REF NO.	PARTS NO.	DESCRIPTION	M.	H/V LOCATION
C394	4030017420	S.CER C1005 CH 1H 470J-T	B	115.4/68
C395	4030017460	S.CER C1005 JB 1H 102K-T	B	128.8/76.7
C397	4030017460	S.CER C1005 JB 1H 102K-T	B	100.8/86.3
C398	4030017420	S.CER C1005 CH 1H 470J-T	B	99.8/86.3
C399	4030018860	S.CER C1005 JB 0J 105K-T	B	134.5/34.8
C400	4030016930	S.CER C1005 JB 1A 104K-T	B	136.9/37
C411	4510008780	S.ELE EEE1EA471P	T	117.2/63.6
C412	4510008780	S.ELE EEE1EA471P	T	132.7/54.3
C413	4030018900	S.CER C1005 JB 0J 474K-T	B	135.1/46.8
C414	4510008540	S.ELE EEE1CA100SR	T	113.9/50.1
C415	4030016930	S.CER C1005 JB 1A 104K-T	B	103/23.8
C416	4030016930	S.CER C1005 JB 1A 104K-T	B	121/51.5
C417	4030016790	S.CER C1005 JB 1E 103K-T	B	113.8/51.7
C418	4030017460	S.CER C1005 JB 1H 102K-T	B	102.3/57.9
C419	4030016790	S.CER C1005 JB 1E 103K-T	T	42.5/39.1
C420	4030017420	S.CER C1005 CH 1H 470J-T	T	39.8/37.2
C421	4030016930	S.CER C1005 JB 1A 104K-T	B	36.1/24.4
C422	4030016790	S.CER C1005 JB 1E 103K-T	T	42.9/33
C423	4030007090	S.CER C1608 CH 1H 470J-T	T	33.6/38.9
C424	4030016930	S.CER C1005 JB 1A 104K-T	T	33.6/41.2
C425	4030017460	S.CER C1005 JB 1H 102K-T	B	134.8/66.1
C426	4030011030	S.CER GRM31M4C2H1R5CY21L (GRM42-6 CK)	[C] T	29.2/75.2
	4030011020	S.CER GRM31M4C2H1R0CY21L (GRM42-6 CK)	[O]	
	4030011020	S.CER GRM31M4C2H1R0CY21L (GRM42-6 CK)	[K]	
	4030011020	S.CER GRM31M4C2H1R0CY21L (GRM42-6 CK)	[D]	
	4030011020	S.CER GRM31M4C2H1R0CY21L (GRM42-6 CK)	[P]	
	4030011030	S.CER GRM31M4C2H1R5CY21L (GRM42-6 CK)	[E]	
	4030011030	S.CER GRM31M4C2H1R5CY21L (GRM42-6 CK)	[F]	
	4030011030	S.CER GRM31M4C2H1R5CY21L (GRM42-6 CK)	[G]	
	4030011020	S.CER GRM31M4C2H1R0CY21L (GRM42-6 CK)	[L]	
	4030011030	S.CER GRM31M4C2H1R5CY21L (GRM42-6 CK)	[I]	
	4030011020	S.CER GRM31M4C2H1R0CY21L (GRM42-6 CK)	[H]	
	4030011020	S.CER GRM31M4C2H1R0CY21L (GRM42-6 CK)	[R]	
C427	4030017530	S.CER C1005 CH 1H 0R5B-T	B	19.5/36.6
C428	4030018110	S.CER C1005 JB 1H 272K-T	T	25.6/9.4
C429	4030016790	S.CER C1005 JB 1E 103K-T	B	138.4/51
C430	4030018860	S.CER C1005 JB 0J 105K-T	B	110.4/10.7
C431	4030017460	S.CER C1005 JB 1H 102K-T	B	114.2/11.7
C432	4030017420	S.CER C1005 CH 1H 470J-T	B	119.4/69.8
C433	4030017460	S.CER C1005 JB 1H 102K-T	B	119.4/70.8
C435	4030016930	S.CER C1005 JB 1A 104K-T	T	8.9/7.8
C436	4030016930	S.CER C1005 JB 1A 104K-T	B	56/38.5
C437	4030016930	S.CER C1005 JB 1A 104K-T	B	25.1/8.8
C438	4030016930	S.CER C1005 JB 1A 104K-T	B	32.8/5.5
C440	4030016930	S.CER C1005 JB 1A 104K-T	B	25.1/7.2
C441	4030016930	S.CER C1005 JB 1A 104K-T	B	26/5.6
C442	4030016930	S.CER C1005 JB 1A 104K-T	B	26.9/8.8
C443	4030017040	S.CER C1005 JB 1A 333K-T	B	34.5/8.2
C444	4030016930	S.CER C1005 JB 1A 104K-T	T	22.3/10.2
C445	4030017650	S.CER C1005 CH 1H 270J-T	B	32.8/6.4
C446	4030017590	S.CER C1005 CH 1H 070C-T	T	23/20.4
C447	4030017340	S.CER C1005 CH 1H 010B-T	[C] B	17.1/37.7
	4030017340	S.CER C1005 CH 1H 010B-T	[O]	
	4030017340	S.CER C1005 CH 1H 010B-T	[K]	
	4030017460	S.CER C1005 JB 1H 102K-T	[D]	
	4030017460	S.CER C1005 JB 1H 102K-T	[P]	
	4030017340	S.CER C1005 CH 1H 010B-T	[E]	
	4030017340	S.CER C1005 CH 1H 010B-T	[F]	
	4030017340	S.CER C1005 CH 1H 010B-T	[G]	
	4030017340	S.CER C1005 CH 1H 010B-T	[L]	
	4030017340	S.CER C1005 CH 1H 010B-T	[I]	
	4030017460	S.CER C1005 JB 1H 102K-T	[H]	
	4030017340	S.CER C1005 CH 1H 010B-T	[R]	
C448	4030017340	S.CER C1005 CH 1H 010B-T	[C] B	12.5/36.9
	4030017340	S.CER C1005 CH 1H 010B-T	[O]	
	4030017340	S.CER C1005 CH 1H 010B-T	[K]	
	4030017460	S.CER C1005 JB 1H 102K-T	[D]	
	4030017460	S.CER C1005 JB 1H 102K-T	[P]	
	4030017340	S.CER C1005 CH 1H 010B-T	[E]	
	4030017340	S.CER C1005 CH 1H 010B-T	[F]	
	4030017340	S.CER C1005 CH 1H 010B-T	[G]	
	4030017340	S.CER C1005 CH 1H 010B-T	[L]	
	4030017340	S.CER C1005 CH 1H 010B-T	[I]	
	4030017460	S.CER C1005 JB 1H 102K-T	[H]	
	4030017340	S.CER C1005 CH 1H 010B-T	[R]	
C450	4030017350	S.CER C1005 CH 1H 020B-T	[C] T	65.6/36
	4030017350	S.CER C1005 CH 1H 020B-T	[O]	
	4030017350	S.CER C1005 CH 1H 020B-T	[K]	
	4030017350	S.CER C1005 CH 1H 020B-T	[E]	
	4030017350	S.CER C1005 CH 1H 020B-T	[F]	
	4030017350	S.CER C1005 CH 1H 020B-T	[G]	
	4030017350	S.CER C1005 CH 1H 020B-T	[L]	
	4030017350	S.CER C1005 CH 1H 020B-T	[I]	
	4030017350	S.CER C1005 CH 1H 020B-T	[R]	
C451	4030018860	S.CER C1005 JB 0J 105K-T	B	92.6/6.6
C452	4030019120	S.CER GRM188B31E105KA75D	B	129.7/64.1
C453	4030016930	S.CER C1005 JB 1A 104K-T	B	132.1/55.8
J1	6510026770	S.CON AXK540147YG	T	124.5/9.7
J2	6510026770	S.CON AXK540147YG	T	101.5/9.7
J3	6510021301	S.CON 52365-1071	T	90.3/62.6
J5	6510023092	S.CON 20FLT-SM2-TB(LF)(SN)(M)	T	108.3/83.2

[MAIN-A UNIT] (For MDC compatible versions)

REF NO.	PARTS NO.	DESCRIPTION	M.	H/V LOCATION
J7	6450000140	CON H5J0807-01-010		
J10	6510023092	S.CON 20FLT-SM2-TB(LF)(SN)(M)	T	71/7
W1	7030012290	JUM RDS2T0R0		
W2	8900016250	CAB OPC-1701 <CMI>T/H!		
EP2	6910015370	S.BEA ACZ1005Y-102-T	B	60.4/28.3
EP3	6910015370	S.BEA ACZ1005Y-102-T	T	85.7/30
EP4	6910010280	BEA HF70BB9.5X10.4X4.9		
EP5	6910010280	BEA HF70BB9.5X10.4X4.9		
EP6	6910015370	S.BEA ACZ1005Y-102-T	T	79.6/41.5
EP7	6910011560	BEA HF70BB4.5X5X1.6		
EP8	0880002600	UNI EX-2887 [#13] UT-126H	[G]	
	0880002600	UNI EX-2887 [#13] UT-126H	[L]	
	0880002600	UNI EX-2887 [#13] UT-126H	[I]	
	0880002600	UNI EX-2887 [#13] UT-126H	[H]	
	0880002600	UNI EX-2887 [#13] UT-126H	[R]	

M.=Mounted side (T: Mounted on the Top side, B: Mounted on the Bottom side)
S.=Surface mount

[MAIN-B UNIT] (For [EXP-05])

REF NO.	PARTS NO.	DESCRIPTION	M.	H/V LOCATION
IC1	1110005340	S.IC NJM12902V-TE1-#ZZZB	T	82.3/12.9
IC2	1110006221	S.IC AK2346P-E2/P	B	44.7/11.7
IC3	1140013200	S.IC CD4053BPWR	B	58.7/9.3
IC4	1130010100	S.IC LMX2352TMX/NOBP	T	83.3/46
IC5	1110003491	S.IC TA31136FNG(D,EL)	T	28/13.9
IC6	1190001350	S.IC M62364FP 600D	B	84.9/12.9
IC7	1110005340	S.IC NJM12902V-TE1-#ZZZB	T	107.3/43
IC8	1140013200	S.IC CD4053BPWR	B	58.7/16.1
IC9	1130012960	S.IC BU8872FS-E2	B	133.1/21.3
IC10	1190002051	S.IC SPM5001-TL-E	B	33.8/36.9
IC12	1190001340	S.IC M62334FP 600C	B	9.1/25.7
IC13	1110005771	S.IC S-80942CNMC-G9CT2G	B	126/44.8
IC14	1140014550	S.IC HD64F2506RFC26DV(EMPTY)	B	111.8/35.7
IC15	1150002231	S.IC RA55H3340M-121	B	
IC16	1140014160	S.IC 24LC1025T-I/SM <SEI>	B	133.3/29
IC17	1110002751	S.IC TA75S01F(TE85R,F)	B	55.8/66.7
IC18	1180000970	S.IC AN78L05M-(E1)	B	113/65.3
IC19	1120002510	S.IC DS14C232TM S	T	104.7/69
IC20	1180001252	S.IC TA7808F(TE16L1,NQ)	B	121.5/65.8
IC21	1110003091	S.IC LA4425A-E	B	
IC22	1110002751	S.IC TA75S01F(TE85R,F)	B	135.5/54.4
IC23	1130006221	S.IC TC4W53FU(TE12L,F)	B	109.6/12.9
IC25	1110006230	S.IC NJM2711F-TE1-#ZZZB	B	30.1/7.1
Q1	1590003231	S.TRA UNR9113G0L	B	16.5/6.1
Q3	1530002851	S.TRA 2SC4116-BL(TE85R,F)	B	36.5/15.5
Q4	1590001650	S.TRA XP4601(TX)	B	92.8/12.4
Q5	1560000541	S.FET 2SK880-Y(T5RICOM,F)	B	81.3/41
Q6	1530002851	S.TRA 2SC4116-BL(TE85R,F)	B	50.6/28.4
Q7	1560000541	S.FET 2SK880-Y(T5RICOM,F)	B	82.4/30.6
Q8	1530002851	S.TRA 2SC4116-BL(TE85R,F)	B	79.3/37.8
Q9	1530002851	S.TRA 2SC4116-BL(TE85R,F)	B	82.1/35.4
Q10	1560001360	S.FET 2SK3019 TL	B	76.5/45.2
Q12	1530002601	S.TRA 2SC4215-O(TE85R,F)	T	26.8/19.2
Q16	1590003291	S.TRA UNR9213G0L	T	113.1/46.6
Q17	1530002920	S.TRA 2SC4226-T1 R25	T	61.1/42.8
Q18	1530002920	S.TRA 2SC4226-T1 R25	T	61.1/36.3
Q19	1530002920	S.TRA 2SC4226-T1 R25	T	60.7/28.9
Q20	1590003231	S.TRA UNR9113G0L	B	34.1/24.9
Q22	1530003311	S.TRA 2SC5107-O(TE85R,F)	T	56.7/33.6
Q23	1590001400	S.TRA XP1214(TX)	B	57.6/40.5
Q24	1590003291	S.TRA UNR9213G0L	B	55.40/5
Q25	1530004110	S.TRA MT3S37T(TE85L,F)	T	55.2/36.9
Q26	1590001400	S.TRA XP1214(TX)	B	56.6/33.5
Q27	1590003231	S.TRA UNR9113G0L	T	126.2/48.7
Q28	1590003291	S.TRA UNR9213G0L	B	123/46.1
Q29	1530003311	S.TRA 2SC5107-O(TE85R,F)	T	50.8/35.5
Q30	1530003311	S.TRA 2SC5107-O(TE85R,F)	B	64.3/62.8
Q31	1580000731	S.FET 3SK293(TE85L,F)	B	9.5/38.8
Q32	1560000841	S.FET 2SK1829(TE85R,F)	T	9.8/40.4
Q33	1530002851	S.TRA 2SC4116-BL(TE85R,F)	B	47.3/66.2
Q34	1590003291	S.TRA UNR9213G0L	T	83/67.4
Q35	1520000460	S.TRA 2SB1132 T100 R	T	100.1/57.9
Q36	1590001190	S.TRA XP6501-(TX).AB	T	104.3/55.8
Q37	1540000550	S.TRA 2SD1664 T100Q	T	75.5/63.6
Q38	1510000920	S.TRA 2SA1577 T106 Q	T	64.9/54.1
Q39	1590003291	S.TRA UNR9213G0L	T	68.5/54.8
Q40	1590003291	S.TRA UNR9213G0L	T	103/52.9
Q41	1590001451	S.FET 2SJ144-GR (TE85R,F)	B	114.7/85.7
Q42	1590003291	S.TRA UNR9213G0L	B	131.7/43.6
Q43	1590000990	S.TRA DTC363EK T146	B	135.7/49
Q44	1590003291	S.TRA UNR9213G0L	T	108.9/20.3
Q45	1590003291	S.TRA UNR9213G0L	B	133.3/58.9
Q46	1590003291	S.TRA UNR9213G0L	T	119.2/85.6
Q47	1550000100	S.FET 2SJ377 (TE16L1,NQ)	B	131.3/71.5
Q48	1590003291	S.TRA UNR9213G0L	B	127.4/77.8
Q49	1530002851	S.TRA 2SC4116-BL(TE85R,F)	B	138.7/37.1
Q50	1530002601	S.TRA 2SC4215-O(TE85R,F)	T	40.2/39
Q51	1590003321	S.FET TPC6103(TE85L,F)	B	133.6/63.4
Q52	1590003291	S.TRA UNR9213G0L	B	128.2/61.1
Q53	1530000372	S.TRA 2SC3356-T1B R (R24)	B	68.4/68
Q54	1590003291	S.TRA UNR9213G0L	B	51.9/67.1
Q55	1560001360	S.FET 2SK3019 TL	T	74.1/20.3
Q56	1560001360	S.FET 2SK3019 TL	T	24.5/7.9
Q57	1590003291	S.TRA UNR9213G0L	T	111.1/13.4
Q58	1530002851	S.TRA 2SC4116-BL(TE85R,F)	B	27/10.8
Q59	1590003291	S.TRA UNR9213G0L	B	96.1/10
Q60	1590003291	S.TRA UNR9213G0L	B	96.1/12.3
D1	1750001070	S.DIO DAN235ETL	T	8.8/14.9
D2	1750001070	S.DIO DAN235ETL	T	22.5/7.7
D4	1790001261	S.DIO MA25077G0L	T	52.5/43.6
D5	1790001261	S.DIO MA25077G0L	T	52.5/41
D6	1750001070	S.DIO DAN235ETL	T	29.2/20.9
D7	1160000140	S.DIO DAP222 TL	T	59/13.8
D8	1750000711	S.VAR HVC350BTRF-E	T	68.2/42.7
D9	1750001150	S.VAR HVC383BTRF-E	T	70.5/44.7
D10	1750000711	S.VAR HVC350BTRF-E	T	68.2/36.2
D11	1750001150	S.VAR HVC383BTRF-E	T	70.5/38.2
D12	1750000711	S.VAR HVC350BTRF-E	T	68.2/29.7
D13	1750001150	S.VAR HVC383BTRF-E	T	70.5/31.7
D14	1720000570	S.VAR MA368(TX)	T	65.8/33.3
D15	1750000711	S.VAR HVC350BTRF-E	B	5.5/43.5
D16	1750000711	S.VAR HVC350BTRF-E	B	6.8/43.5
D17	1750000711	S.VAR HVC350BTRF-E	B	6.8/50.1
D18	1750000711	S.VAR HVC350BTRF-E	B	5.5/50.1
D19	1160000140	S.DIO DAP222 TL	B	120.3/17.6
D21	1750001070	S.DIO DAN235ETL	T	31.9/37.5
D22	1750000520	S.DIO DAN222TL	T	125.4/51
D23	1790001261	S.DIO MA25077G0L	T	125/38.9
D24	1750000581	S.DIO 1SV307(TPH3,F)	B	50.8/47.1
D25	1790001261	S.DIO MA25077G0L	B	48.3/46
D26	1750000711	S.VAR HVC350BTRF-E	B	14.1/36.1

[MAIN-B UNIT] (For [EXP-05])

REF NO.	PARTS NO.	DESCRIPTION	M.	H/V LOCATION
D27	1750000711	S.VAR HVC350BTRF-E	B	10.7/34.4
D30	1750000711	S.VAR HVC350BTRF-E	B	18.3/36.2
D31	1790001251	S.DIO MA2S1110GL	T	6.2/42.2
D35	1790001621	S.DIO 1SV308(TPL3,F)	B	20/50.9
D36	1790001241	S.DIO MA2S7280GL	B	11.9/50.8
D37	1750000370	S.DIO DA221 TL	T	75.2/68
D39	1710001061	DIO L407CDB	B	
D42	1750001360	S.DIO L709CER (9401)	T	26.5/58
D45	1750000520	S.DIO DAN222TL	T	91.8/57.5
D46	1750000520	S.DIO DAN222TL	T	89.6/57.5
D47	1790001211	S.DIO 1SS375-TL-E	B	37.7/61.7
D48	1750000520	S.DIO DAN222TL	B	95.5/55.5
D49	1790000661	S.DIO MA2J7280GL	B	8.9/57.1
D50	1750000370	S.DIO DA221 TL	B	98.8/66.5
D51	1790000661	S.DIO MA2J7280GL	B	5.2/79.3
D52	1750000520	S.DIO DAN222TL	B	132.6/40.8
D53	1790001251	S.DIO MA2S1110GL	B	133.3/47.3
D55	1750000370	S.DIO DA221 TL	B	98.8/63
D56	1750000370	S.DIO DA221 TL	B	96.7/63
D57	1750000370	S.DIO DA221 TL	B	96.7/66.5
D58	1750000520	S.DIO DAN222TL	B	101.2/83.1
D59	1750000520	S.DIO DAN222TL	B	101.2/81
D62	1790000700	DIO DSA3A1	B	
D63	1750000520	S.DIO DAN222TL	B	112.3/82.2
D65	1750000520	S.DIO DAN222TL	B	129.7/58.9
D66	1790001621	S.DIO 1SV308(TPL3,F)	T	29.5/36.7
D67	1790001621	S.DIO 1SV308(TPL3,F)	T	34.3/36.7
D68	1790001621	S.DIO 1SV308(TPL3,F)	T	28.7/23.3
D69	1790001621	S.DIO 1SV308(TPL3,F)	T	30/23.3
D70	1730002411	S.ZEN MAZ8200GHL	B	120/83.2
D71	1750000520	S.DIO DAN222TL	B	94.6/62.6
D72	1750000520	S.DIO DAN222TL	B	94.8/59.1
F11	2020002500	CER LT450GW <JJE>	B	
F12	2020002510	CER LTW450HT <JJE>	B	
F13	2030000500	S.MON DSF753SFBF 46.35 MHz (FL-401)	T	24.7/28.5
F14	2030000670	S.MON DSF753SFBF 46.35 MHz (FL-420)	T	35.6/28.4
F15	2040001440	S.LC NFE31PT152Z1E9L (NFM60R20T152)	B	94.5/77
F16	2040001440	S.LC NFE31PT152Z1E9L (NFM60R20T152)	B	94.5/73.7
F17	2040001440	S.LC NFE31PT152Z1E9L (NFM60R20T152)	B	94.5/70.4
X1	6050012380	S.XTA CR-826 DSA535SD 15.3 MHz	T	86.1/34.6
X2	6050011730	S.XTA CR-765 SMD-49TA 3.6864 MHz <KDS>	T	48.6/12
X3	6070000300	S.DIS JTBM450CX24 <JJE>	T	37.1/10.3
X4	6050012320	S.XTA CR-818 SMD-49 4.194304 MHz <KDS>	T	139.1/21.9
X5	6050011720	S.XTA CR-764 SMD-49TB 19.6608 MHz <KDS>	T	120.4/44.4
L1	6200004660	S.COI MLF1608A 1R8K-T	B	80.7/52.1
L2	6200003540	S.COI MLF1608D R22K-T	B	34.4/14.7
L3	6200004480	S.COI MLF1608D R82K-T	B	29.6/16.2
L4	6200005671	S.COI ELJRE 12NGFA	T	54.4/43.9
L5	6200004741	S.COI NLV25T-1R2J	T	72.9/43.5
L6	6200004741	S.COI NLV25T-1R2J	T	70.4/41
L7	6200004741	S.COI NLV25T-1R2J	T	72.9/37
L8	6200004741	S.COI NLV25T-1R2J	T	72.9/30.5
L9	6200004741	S.COI NLV25T-1R2J	T	70.4/28
L10	6200013581	S.COI 0.30-0.9-4TR 8.6J <COMO>	T	67.1/44.7
L12	6200013581	S.COI 0.30-0.9-4TR 8.6J <COMO>	T	67.1/38.2
L13	6200004741	S.COI NLV25T-1R2J	T	70.4/34.5
L15	6200013630	S.COI 0.30-0.9-3TR 5.8N 5PER <COMO>	T	67.1/31.4
L16	6200009980	S.COI C2012C-18NG-A	B	21.1/35.6
L17	6200004741	S.COI NLV25T-1R2J	T	57.7/30
L18	6130003000	S.COI #617DB-1714-P3	B	39/36.2
L19	6130003000	S.COI #617DB-1714-P3	B	34.5/42.6
L20	6200005741	S.COI ELJRE 47NGFA	T	54.2/32.6
L21	6200005671	S.COI ELJRE 12NGFA	T	54.4/39.1
L22	6200005731	S.COI ELJRE 39NGFA	B	40.2/46
L23	6200005731	S.COI ELJRE 39NGFA	B	42.9/46
L24	6130003000	S.COI #617DB-1714-P3	B	27/36.2
L25	6200005731	S.COI ELJRE 39NGFA	T	50/38.4
L26	6200009980	S.COI C2012C-18NG-A	B	15.9/35.6
L27	6200005721	S.COI ELJRE 33NGFA	B	65.2/65.4
L28	6200009980	S.COI C2012C-18NG-A	B	7/36.7
L30	6200005701	S.COI ELJRE 22NGFA	T	73.5/73.7
L31	6200010310	S.COI C2012C-27NG-A	B	9.2/44.8
L32	6200010310	S.COI C2012C-27NG-A	B	9.2/48.8
L33	6200010150	S.COI AS080340-15N	T	32.6/75.2
L34	6200010100	S.COI C2012C-33NG-A	B	13.7/50
L35	6200005691	S.COI ELJRE 18NGFA	B	23/50.7
L36	6200010420	S.COI FHW1210HC 1R0JGT <JJE>	B	31.2/68
L37	6200010150	S.COI AS080340-15N	T	30.3/58.1
L38	6200010150	S.COI AS080340-15N	T	22.2/58.3
L39	6200010150	S.COI AS080340-15N	T	14.3/60.3
L40	6200010150	S.COI AS080340-15N	T	10.3/82.4
L41	6200002861	S.COI NLV25T-4R7J	T	111.3/55.1
L42	6200005011	S.COI NLV25T-100J	T	40.1/41.6
L43	6200010680	S.COI C2520C-R22G-A (0.22U)	T	41.2/35.1
L44	6200010740	S.COI C2520C-R27G-A	T	35.9/39.5
L45	6200010150	S.COI AS080340-15N	B	6.4/58.3
L46	6200005721	S.COI ELJRE 33NGFA	T	71.1/68.8
L49	6200004480	S.COI MLF1608D R82K-T	T	23.3/19.4
R1	7030005060	S.RES ERJ2GEJ 333 X (33K)	B	38.6/6
R2	7510001730	S.THE ERTJOEP 473J	T	89.3/32.2

M.=

[MAIN-B UNIT] (For [EXP-05])

REF NO.	PARTS NO.	DESCRIPTION	M.	H/V LOCATION
R3	7030005050	S.RES ERJ2GEJ 103 X (10K)	T	78.5/11.6
R4	7030009150	S.RES ERJ2GEJ 824 X (820K)	B	88.8/18.5
R5	7030005090	S.RES ERJ2GEJ 104 X (100K)	T	89.8/33.5
R6	7030005170	S.RES ERJ2GEJ 474 X (470K)	T	87.7/19.4
R7	7030005230	S.RES ERJ2GEJ 334 X (330K)	T	84.3/17.5
R8	7410001130	S.ARR EXB28V102JX	T	86.9/52.4
R9	7030007570	S.RES ERJ2GEJ 122 X (1.2K)	B	35.4/11.5
R10	7030007060	S.RES ERJ2GEJ 684X (680K)	B	35.8/13.7
R11	7030010040	S.RES ERJ2GEJ-JPW	T	9.3/12.9
R12	7030004970	S.RES ERJ2GEJ 470 X (47)	T	34.2/6.4
R13	7030007340	S.RES ERJ2GEJ 153 X (15K)	T	8.9/16.5
R14	7030007340	S.RES ERJ2GEJ 153 X (15K)	T	9.3/9.3
R15	7030005070	S.RES ERJ2GEJ 683 X (68K)	B	93.3/14.4
R17	7030007570	S.RES ERJ2GEJ 122 X (1.2K)	B	93.3/15.3
R18	7030008300	S.RES ERJ2GEJ 184 X (180K)	B	81.5/7.3
R19	7030005230	S.RES ERJ2GEJ 334 X (330K)	T	86.3/9.9
R20	7030005090	S.RES ERJ2GEJ 104 X (100K)	T	77.9/8.2
R21	7030005070	S.RES ERJ2GEJ 683 X (68K)	T	88.5/8.9
R22	7030005050	S.RES ERJ2GEJ 103 X (10K)	B	38.6/7.7
R23	7030005050	S.RES ERJ2GEJ 103 X (10K)	B	38.6/9.4
R24	7030005060	S.RES ERJ2GEJ 333 X (33K)	B	37.7/10.7
R25	7030005120	S.RES ERJ2GEJ 102 X (1K)	B	101/51.6
R26	7030004980	S.RES ERJ2GEJ 101 X (100)	B	96/5.4
R27	7030007300	S.RES ERJ2GEJ 332 X (3.3K)	T	53.9/5.6
R28	7030010040	S.RES ERJ2GEJ-JPW	T	59.6/5.4
R29	7030005530	S.RES ERJ2GEJ 100 X (10)	T	114.5/10.2
R30	7030005170	S.RES ERJ2GEJ 474 X (470K)	B	37.7/9.4
R31	7030008410	S.RES ERJ2GEJ 392 X (3.9K)	B	36.8/9
R32	7030007340	S.RES ERJ2GEJ 153 X (15K)	B	37.7/7.7
R33	7030005160	S.RES ERJ2GEJ 105 X (1M)	T	81/8.4
R34	7030005040	S.RES ERJ2GEJ 472 X (4.7K)	T	79/10
R35	7030005120	S.RES ERJ2GEJ 102 X (1K)	T	81.5/7.2
R36	7030007270	S.RES ERJ2GEJ 151 X (150)	B	25.8/14.4
R37	7030005210	S.RES ERJ2GEJ 822 X (8.2K)	B	15/7.3
R38	7030007340	S.RES ERJ2GEJ 153 X (15K)	T	22.9/7.5
R39	7030007340	S.RES ERJ2GEJ 153 X (15K)	T	22.3/9.3
R40	7030007340	S.RES ERJ2GEJ 153 X (15K)	T	27/10.6
R42	7030005090	S.RES ERJ2GEJ 104 X (100K)	B	94.6/11.8
R43	7030007300	S.RES ERJ2GEJ 332 X (3.3K)	B	94.6/10
R44	7030007340	S.RES ERJ2GEJ 153 X (15K)	B	90.8/12.9
R45	7030005220	S.RES ERJ2GEJ 223 X (22K)	B	91.6/10
R46	7030005040	S.RES ERJ2GEJ 472 X (4.7K)	T	90.5/13.7
R47	7030005050	S.RES ERJ2GEJ 103 X (10K)	T	90.9/12.7
R48	7030005060	S.RES ERJ2GEJ 333 X (33K)	B	51.1/8.1
R49	7030005160	S.RES ERJ2GEJ 105 X (1M)	B	49.9/13.6
R50	7030005090	S.RES ERJ2GEJ 104 X (100K)	B	49.9/11
R51	7030005290	S.RES ERJ2GEJ 682 X (6.8K)	T	52.6/8.6
R52	7030007340	S.RES ERJ2GEJ 153 X (15K)	B	63.3/12.6
R53	7030005000	S.RES ERJ2GEJ 471 X (470)	T	84.4/38.2
R54	7030005120	S.RES ERJ2GEJ 102 X (1K)	B	81.3/43.4
R55	7030007290	S.RES ERJ2GEJ 222 X (2.2K)	B	83.5/26.5
R56	7030004980	S.RES ERJ2GEJ 101 X (100)	B	81.6/39.1
R57	7030005090	S.RES ERJ2GEJ 104 X (100K)	B	28/14.3
R58	7030007340	S.RES ERJ2GEJ 153 X (15K)	T	28.7/9.4
R60	7030005000	S.RES ERJ2GEJ 471 X (470)	T	30.9/9.7
R63	7030005220	S.RES ERJ2GEJ 223 X (22K)	B	91.6/8.3
R64	7030005220	S.RES ERJ2GEJ 223 X (22K)	B	91.6/6.6
R65	7030005090	S.RES ERJ2GEJ 104 X (100K)	B	51.1/9
R67	7030005290	S.RES ERJ2GEJ 682 X (6.8K)	T	53.5/8.6
R68	7030007290	S.RES ERJ2GEJ 222 X (2.2K)	B	53.7/17.7
R69	7030010040	S.RES ERJ2GEJ-JPW	T	85.6/16.8
R71	7030005090	S.RES ERJ2GEJ 104 X (100K)	T	54.5/8.6
R72	7030007290	S.RES ERJ2GEJ 222 X (2.2K)	B	50.9/30.2
R73	7030004980	S.RES ERJ2GEJ 101 X (100)	B	80.3/29.7
R74	7030007570	S.RES ERJ2GEJ 122 X (1.2K)	B	83.1/27.8
R75	7030005290	S.RES ERJ2GEJ 682 X (6.8K)	B	82.6/42.4
R76	7030005050	S.RES ERJ2GEJ 103 X (10K)	B	82.4/33
R77	7030005580	S.RES ERJ2GEJ 560 X (56)	B	83.2/48
R78	7030005220	S.RES ERJ2GEJ 223 X (22K)	B	81.6/37.3
R79	7030007340	S.RES ERJ2GEJ 153 X (15K)	T	51.1/42.8
R80	7030007340	S.RES ERJ2GEJ 153 X (15K)	T	51.1/41.8
R81	7030005090	S.RES ERJ2GEJ 104 X (100K)	B	74.9/45.2
R82	7030005110	S.RES ERJ2GEJ 224 X (220K)	B	71.7/27.3
R83	7030008400	S.RES ERJ2GEJ 182 X (1.8K)	T	32.4/10.6
R85	7030005110	S.RES ERJ2GEJ 224 X (220K)	T	25/19.2
R87	7030007300	S.RES ERJ2GEJ 332 X (3.3K)	T	30.5/19.3
R88	7030005120	S.RES ERJ2GEJ 102 X (1K)	B	90.7/6.6
R90	7030005000	S.RES ERJ2GEJ 471 X (470)	B	89.8/18.5
R91	7030005230	S.RES ERJ2GEJ 334 X (330K)	T	86.4/12.8
R93	7030005310	S.RES ERJ2GEJ 124 X (120K)	T	83.9/8.4
R94	7030005080	S.RES ERJ2GEJ 823 X (82K)	T	106.7/36.7
R95	7030005720	S.RES ERJ2GEJ 563 X (56K)	T	106.3/35.7
R96	7030005240	S.RES ERJ2GEJ 473 X (47K)	B	63.7/15.1
R97	7030005060	S.RES ERJ2GEJ 333 X (33K)	B	52.2/12.7
R98	7030005030	S.RES ERJ2GEJ 152 X (1.5K)	B	63.7/18.9
R99	7030005240	S.RES ERJ2GEJ 473 X (47K)	B	63.7/15.1
R100	7030005800	S.RES RR0510P-102-D (1K)	B	84.4/32.4
R101	7030007280	S.RES ERJ2GEJ 331 X (330)	B	80.1/32.9
R102	7030005530	S.RES ERJ2GEJ 100 X (10)	T	23/21.3
R103	7030005600	S.RES ERJ2GEJ 273 X (27K)	T	28.7/25.5
R104	7030007280	S.RES ERJ2GEJ 331 X (330)	T	25/22.5
R105	7030005600	S.RES ERJ2GEJ 273 X (27K)	B	32.4/24.2
R106	7030007270	S.RES ERJ2GEJ 151 X (150)	T	33.9/22.5
R108	7030005240	S.RES ERJ2GEJ 473 X (47K)	B	81.9/18.9
R109	7030005700	S.RES ERJ2GEJ 274 X (270K)	B	81/18.9
R110	7030005050	S.RES ERJ2GEJ 103 X (10K)	T	78.4/20.8
R111	7030005050	S.RES ERJ2GEJ 103 X (10K)	T	96.2/28.5
R112	7030005700	S.RES ERJ2GEJ 274 X (270K)	T	81.7/20.2
R113	7030005240	S.RES ERJ2GEJ 473 X (47K)	B	57.4/19.5
R114	7030005090	S.RES ERJ2GEJ 104 X (100K)	B	54.1/13.4
R115	7030005090	S.RES ERJ2GEJ 104 X (100K)	T	113.7/17.8
R116	7030005090	S.RES ERJ2GEJ 104 X (100K)	B	78.4/15.4
R117	7030005050	S.RES ERJ2GEJ 103 X (10K)	B	81.6/38.2
R118	7030005700	S.RES ERJ2GEJ 274 X (270K)	T	88.5/9.9
R120	7030007280	S.RES ERJ2GEJ 331 X (330)	T	26.5/34.4

[MAIN-B UNIT] (For [EXP-05])

REF NO.	PARTS NO.	DESCRIPTION	M.	H/V LOCATION
R122	7030005600	S.RES ERJ2GEJ 273 X (27K)	T	28.8/35.2
R123	7030005600	S.RES ERJ2GEJ 273 X (27K)	T	34.1/35.2
R125	7030007270	S.RES ERJ2GEJ 151 X (150)	T	36.4/34.4
R127	7030005050	S.RES ERJ2GEJ 103 X (10K)	T	78.2/18.7
R128	7030005240	S.RES ERJ2GEJ 473 X (47K)	T	111.5/45.4
R129	7030005040	S.RES ERJ2GEJ 472 X (4.7K)	T	111.1/44.5
R130	7030005070	S.RES ERJ2GEJ 683 X (68K)	T	103.5/41.8
R131	7030005070	S.RES ERJ2GEJ 683 X (68K)	T	103.5/43.6
R132	7030004980	S.RES ERJ2GEJ 101 X (100)	T	113.8/16.5
R133	7030005090	S.RES ERJ2GEJ 104 X (100K)	T	109.6/11.8
R134	7030005160	S.RES ERJ2GEJ 105 X (1M)	T	129.8/25.5
R135	7030005160	S.RES ERJ2GEJ 105 X (1M)	T	129.8/24.2
R136	7030005160	S.RES ERJ2GEJ 105 X (1M)	T	129.8/22.9
R138	7030005530	S.RES ERJ2GEJ 100 X (10)	T	63.8/31.3
R139	7410001140	S.ARR EXB28V104JX	T	133.8/19.8
R140	7030006020	S.RES RR0510P-682-D (6.8K)	T	62.9/44.3
R141	7030006020	S.RES RR0510P-682-D (6.8K)	T	62.9/42.6
R143	7030006020	S.RES RR0510P-682-D (6.8K)	T	62.9/37.8
R144	7030006020	S.RES RR0510P-682-D (6.8K)	T	62.9/36.1
R146	7030006020	S.RES RR0510P-682-D (6.8K)	T	62.9/31.3
R147	7030006020	S.RES RR0510P-682-D (6.8K)	T	62.9/29.6
R148	7030009320	S.RES ERJ2GEJ 477 X (4.7)	T	61.6/30.9
R149	7030005110	S.RES ERJ2GEJ 224 X (220K)	B	65.1/32.6
R150	7030008290	S.RES ERJ2GEJ 183 X (18K)	B	79.2/28.2
R151	7030005220	S.RES ERJ2GEJ 223 X (22K)	B	80.5/27.8
R152	7030005090	S.RES ERJ2GEJ 104 X (100K)	B	81.8/28.2
R153	7030007300	S.RES ERJ2GEJ 332 X (3.3K)	T	36.4/42.1
R154	7030004970	S.RES ERJ2GEJ 470 X (47)	T	42.9/40
R155	7030007290	S.RES ERJ2GEJ 222 X (2.2K)	T	39.9/33
R156	7030004970	S.RES ERJ2GEJ 470 X (47)	T	42.3/41.2
R157	7030005090	S.RES ERJ2GEJ 104 X (100K)	B	30.1/24.9
R158	7030005240	S.RES ERJ2GEJ 473 X (47K)	T	111.1/42.7
R159	7030005240	S.RES ERJ2GEJ 473 X (47K)	T	111.5/40.9
R160	7030005240	S.RES ERJ2GEJ 473 X (47K)	T	113.7/39.9
R161	7030005070	S.RES ERJ2GEJ 683 X (68K)	T	105.4/48.4
R162	7030005240	S.RES ERJ2GEJ 473 X (47K)	T	127.8/16.2
R163	7030005240	S.RES ERJ2GEJ 473 X (47K)	T	128.7/17.2
R164	7030005240	S.RES ERJ2GEJ 473 X (47K)	T	129.6/16.3
R165	7030005230	S.RES ERJ2GEJ 334 X (330K)	T	129.8/21.6
R166	7030005230	S.RES ERJ2GEJ 334 X (330K)	T	129.8/20.3
R167	7030005230	S.RES ERJ2GEJ 334 X (330K)	T	129.8/19
R168	7030011180	S.RES RR0510P-391-D (390)	B	58.5/42.6
R169	7030011180	S.RES RR0510P-391-D (390)	B	58.5/38.4
R170	7030009820	S.RES RR0510P-681-D (680)	B	55.7/31.5
R171	7030005310	S.RES ERJ2GEJ 124 X (120K)	T	57/31.8
R172	7030008280	S.RES ERJ2GEJ 271 X (270)	B	37.5/44.6
R173	7030007270	S.RES ERJ2GEJ 151 X (150)	B	40/32.8
R176	7030005590	S.RES ERJ2GEJ 680 X (68)	B	31.3/37.4
R177	7030005590	S.RES ERJ2GEJ 680 X (68)	B	31.3/35
R178	7030005240	S.RES ERJ2GEJ 473 X (47K)	T	113.7/38.9
R179	7030008300	S.RES ERJ2GEJ 184 X (180K)	T	117.1/34.6
R180	7030005720	S.RES ERJ2GEJ 563 X (56K)	T	117.5/35.6
R181	7030005220	S.RES ERJ2GEJ 223 X (22K)	T	117.1/36.6
R182	7030005120	S.RES ERJ2GEJ 102 X (1K)	T	117.5/33.6
R183	7030005070	S.RES ERJ2GEJ 683 X (68K)	T	103.7/48.4
R184	7030005220	S.RES ERJ2GEJ 223 X (22K)	T	115.4/36.6
R185	7030005070	S.RES ERJ2GEJ 683 X (68K)	B	102.3/45.6
R186	7030005160	S.RES ERJ2GEJ 105 X (1M)	T	81.3/19.3
R187	7030005060	S.RES ERJ2GEJ 333 X (33K)	T	81.3/17.5
R188	7030005090	S.RES ERJ2GEJ 104 X (100K)	T	78.9/14.6
R189	7030005720	S.RES ERJ2GEJ 563 X (56K)	T	78.5/15.8
R190	7030005240	S.RES ERJ2GEJ 473 X (47K)	T	80.9/18.4
R191	7030004980	S.RES ERJ2GEJ 101 X (100)	T	54.2/30.4
R192	7030009270	S.RES ERJ2GEJ 821 X (820)	B	52.6/35.9
R193	7030005050	S.RES ERJ2GEJ 103 X (10K)	B	57.5/31.5
R194	7030007340	S.RES ERJ2GEJ 153 X (15K)	T	53.5/36.7
R195	7030007260	S.RES ERJ2GEJ 330 X (33)	T	51/33.4
R196	7030005050	S.RES ERJ2GEJ 103 X (10K)	B	56.8/35.3
R197	7030005050	S.RES ERJ2GEJ 103 X (10K)	B	55/38.5
R198	7030010090	S.RES ERJ2GEJ 180 X (18)	B	38/46
R199	7030008280	S.RES ERJ2GEJ 271 X (270)	B	8.5/44.6
R200	7030005050	S.RES ERJ2GEJ 103 X (10K)	B	84/20.6
R201	7410001130	S.ARR EXB28V102JX	B	117/51.7
R202	7030005090	S.RES ERJ2GEJ 104 X (100K)	T	127.1/46.7
R203	7030005120	S.RES ERJ2GEJ 102 X (1K)	B	126.7/42.2
R204	7410000750	S.ARR EXB-V4V 104JV (100K)	B	129.6/43.4
R205	7030008010	S.RES ERJ2GEJ 123 X (12K)	T	126.2/39.2

[MAIN-B UNIT] (For [EXP-05])

REF NO.	PARTS NO.	DESCRIPTION	M.	H/V LOCATION
R238	7030004990	S.RES ERJ2GEJ 221 X (220)	B	63.6/66.2
R240	7030005720	S.RES ERJ2GEJ 563 X (56K)	B	64.1/65
R242	7030005530	S.RES ERJ2GEJ 100 X (10)	B	6.5/34.4
R243	7030009320	S.RES ERJ2GEJ 4R7 X (4.7)	B	13.4/42.4
R244	7030005120	S.RES ERJ2GEJ 102 X (1K)	B	8.6/35.7
R245	7030005530	S.RES ERJ2GEJ 100 X (10)	B	11.7/38.2
R246	7030005090	S.RES ERJ2GEJ 104 X (100K)	B	11.3/41.5
R247	7030005710	S.RES ERJ2GEJ 121 X (120)	B	7.3/41.2
R248	7410001130	S.ARR EXB28V102JX	B	103.5/48.3
R249	7410001130	S.ARR EXB28V102JX	B	123.6/27.2
R250	7410001130	S.ARR EXB28V102JX	B	121.9/25.3
R251	7410001140	S.ARR EXB28V104JX	T	124.2/27.9
R252	7410001140	S.ARR EXB28V104JX	T	122.1/25.7
R253	7030008290	S.RES ERJ2GEJ 183 X (18K)	T	11.8/40.8
R254	7030005110	S.RES ERJ2GEJ 224 X (220K)	T	7.3/41
R255	7030005240	S.RES ERJ2GEJ 473 X (47K)	B	9/41.9
R257	7030008400	S.RES ERJ2GEJ 182 X (1.8K)	T	7.3/39.7
R258	7030005170	S.RES ERJ2GEJ 474 X (470K)	B	8.4/42.2
R259	7030007290	S.RES ERJ2GEJ 222 X (2.2K)	B	5.4/45.6
R260	7030007290	S.RES ERJ2GEJ 222 X (2.2K)	B	5.4/48
R261	7410001130	S.ARR EXB28V102JX	B	99.7/43.5
R262	7410001130	S.ARR EXB28V102JX	T	100.5/37
R263	7410001130	S.ARR EXB28V102JX	B	97/40.7
R264	7410000750	S.ARR EXB-V4V 104JV (100K)	T	103.2/35.4
R265	7030007340	S.RES ERJ2GEJ 153 X (15K)	T	87.7/31
R266	7410001130	S.ARR EXB28V102JX	B	120.1/23.5
R267	7410001130	S.ARR EXB28V102JX	B	118.3/21.7
R268	7410001130	S.ARR EXB28V102JX	B	116.5/19.9
R269	7030005090	S.RES ERJ2GEJ 104 X (100K)	T	118.6/20.6
R270	7030007340	S.RES ERJ2GEJ 153 X (15K)	T	88.6/34.2
R271	7030007280	S.RES ERJ2GEJ 331 X (330)	T	73/71.8
R272	7030004980	S.RES ERJ2GEJ 101 X (100)	T	61/76.7
R273	7030005050	S.RES ERJ2GEJ 103 X (10K)	T	63.6/76.2
R274	7030004980	S.RES ERJ2GEJ 101 X (100)	B	57.9/68.9
R277	7030005050	S.RES ERJ2GEJ 103 X (10K)	B	4.1/46.5
R278	7030005050	S.RES ERJ2GEJ 103 X (10K)	B	126.6/28.8
R279	7030005090	S.RES ERJ2GEJ 104 X (100K)	B	127.6/28.8
R280	7410001130	S.ARR EXB28V102JX	B	95.2/38.9
R281	7030005090	S.RES ERJ2GEJ 104 X (100K)	T	93.8/48.9
R282	7410000750	S.ARR EXB-V4V 104JV (100K)	T	91.6/49.5
R283	7410001130	S.ARR EXB28V102JX	B	104.7/22.2
R284	7030005120	S.RES ERJ2GEJ 102 X (1K)	T	111.3/25.3
R285	7410001130	S.ARR EXB28V102JX	B	107.1/19.9
R286	7410001140	S.ARR EXB28V104JX	T	120.5/21.8
R287	7030004990	S.RES ERJ2GEJ 221 X (220)	B	57.6/64.5
R288	7030005100	S.RES ERJ2GEJ 154 X (150K)	B	55.8/68.9
R289	7030008300	S.RES ERJ2GEJ 184 X (180K)	B	44.3/65
R290	7520000261	S.POS PRF18BB471QB5RB	T	33.7/66.7
R291	7030005120	S.RES ERJ2GEJ 102 X (1K)	T	107.2/21.1
R292	7030006070	S.RES ERJ12V101U (100)	B	36.9/68
R293	7030005110	S.RES ERJ2GEJ 224 X (220K)	B	50.5/65.7
R294	7030005050	S.RES ERJ2GEJ 103 X (10K)	B	53.1/70.1
R295	7030005110	S.RES ERJ2GEJ 224 X (220K)	B	54.2/64.5
R296	7030005290	S.RES ERJ2GEJ 682 X (6.8K)	B	50/68.9
R297	7030008010	S.RES ERJ2GEJ 123 X (12K)	B	51.8/70.2
R298	7030006610	S.RES ERJ2GEJ 394 X (390K)	B	49.2/66.1
R299	7030005110	S.RES ERJ2GEJ 224 X (220K)	B	18.3/33.1
R300	7030005050	S.RES ERJ2GEJ 103 X (10K)	B	99.9/59.6
R301	7030007290	S.RES ERJ2GEJ 222 X (2.2K)	T	106.7/55
R302	7030000440	S.RES MCR10EZHH 3.3K (332)	T	79.1/64.4
R303	7030000440	S.RES MCR10EZHH 3.3K (332)	T	81.1/64.4
R304	7030000440	S.RES MCR10EZHH 3.3K (332)	T	83.1/64.4
R305	7030005050	S.RES ERJ2GEJ 103 X (10K)	T	66.9/54.1
R306	7030005040	S.RES ERJ2GEJ 472 X (4.7K)	T	68.1/53.2
R307	7030005050	S.RES ERJ2GEJ 103 X (10K)	B	35.4/61.7
R308	7410001130	S.ARR EXB28V102JX	T	102.3/63.8
R309	7030005070	S.RES ERJ2GEJ 683 X (68K)	T	94.9/5.4
R310	7030004980	S.RES ERJ2GEJ 101 X (100)	B	109.1/62.5
R311	7030000260	S.RES MCR10EZHH 100 (101)	B	16/79.4
R312	7030005700	S.RES ERJ2GEJ 274 X (270K)	B	41/61.1
R313	7030003320	S.RES ERJ3GEVJ 101 V (100)	B	11.2/58
R314	7030007340	S.RES ERJ2GEJ 153 X (15K)	B	10.5/33
R315	7030000220	S.RES MCR10EZHH 47 (470)	B	3/61.6
R316	7030005170	S.RES ERJ2GEJ 474 X (470K)	T	92.7/10.3
R317	7030005160	S.RES ERJ2GEJ 105 X (1M)	B	116.5/86.3
R318	7030005160	S.RES ERJ2GEJ 105 X (1M)	B	113.7/83.8
R319	7030005120	S.RES ERJ2GEJ 102 X (1K)	B	114/82.6
R320	7030005160	S.RES ERJ2GEJ 105 X (1M)	B	112.9/86.3
R321	7030004970	S.RES ERJ2GEJ 470 X (47)	B	112.1/84.5
R322	7030007340	S.RES ERJ2GEJ 153 X (15K)	B	6.4/80.9
R323	7030003320	S.RES ERJ3GEVJ 101 V (100)	B	6.8/80.9
R324	7030000620	S.RES MCR10EZHH 100 K (104)	T	6.1/83.1
R325	7030005050	S.RES ERJ2GEJ 103 X (10K)	B	131.2/45.3
R326	7030005090	S.RES ERJ2GEJ 104 X (100K)	B	131.6/51.7
R327	7030005120	S.RES ERJ2GEJ 102 X (1K)	B	131.1/54.2
R328	7030005090	S.RES ERJ2GEJ 104 X (100K)	B	134.1/51.7
R332	7030005090	S.RES ERJ2GEJ 104 X (100K)	T	109.4/24.2
R333	7030005120	S.RES ERJ2GEJ 102 X (1K)	T	112.6/29.5
R334	7520000270	S.POS PRG21BC4R7MM1RA	T	108.1/77.4
R335	7030005050	S.RES ERJ2GEJ 103 X (10K)	T	108/78.8
R336	7030005120	S.RES ERJ2GEJ 102 X (1K)	T	112.2/80
R337	7410001130	S.ARR EXB28V102JX	T	104.8/77
R338	7030005651	S.RES ERA3YKD 304V (300K)	B	99.9/57.9
R339	7030005871	S.RES ERA3YKD 104V (100K)	B	99.9/56.5
R340	7030003560	S.RES ERJ3GEVJ 103 V (10K)	T	136.3/65.7
R341	7030003560	S.RES ERJ3GEVJ 103 V (10K)	B	130.7/85.9
R342	7030005090	S.RES ERJ2GEJ 104 X (100K)	B	135.4/52.2
R343	7030007290	S.RES ERJ2GEJ 222 X (2.2K)	B	138.1/49.4
R344	7030008270	S.RES RR0510P-104-D (100K)	B	133.3/54.6
R345	7030008270	S.RES RR0510P-104-D (100K)	B	133.3/56.3
R346	7030005040	S.RES ERJ2GEJ 472 X (4.7K)	B	137/52.2
R347	7030005050	S.RES ERJ2GEJ 103 X (10K)	B	137.8/53.7
R348	7030005700	S.RES ERJ2GEJ 274 X (270K)	B	131.3/75.6
R349	7030005090	S.RES ERJ2GEJ 104 X (100K)	B	130.4/76.7
R350	7030005120	S.RES ERJ2GEJ 102 X (1K)	B	140/47.6

[MAIN-B UNIT] (For [EXP-05])

REF NO.	PARTS NO.	DESCRIPTION	M.	H/V LOCATION
R351	7030004980	S.RES ERJ2GEJ 101 X (100)	B	134.5/36.5
R352	7030008300	S.RES ERJ2GEJ 184 X (180K)	B	140.1/38.5
R353	7030005230	S.RES ERJ2GEJ 334 X (330K)	B	139.3/34.8
R354	7030010040	S.RES ERJ2GEJ-JPW	T	140.4/34
R355	7030008280	S.RES ERJ2GEJ 271 X (270)	B	138/34.8
R356	7540000290	ABS ERZV10D220		
R359	7030005090	S.RES ERJ2GEJ 104 X (100K)	B	112.6/80.5
R360	7030005090	S.RES ERJ2GEJ 104 X (100K)	T	78.4/5.3
R361	7030005600	S.RES ERJ2GEJ 273 X (27K)	T	76.7/18.3
R362	7030005050	S.RES ERJ2GEJ 103 X (10K)	T	121.7/48.6
R363	7030005120	S.RES ERJ2GEJ 102 X (1K)	T	42.9/38.2
R364	7030005040	S.RES ERJ2GEJ 472 X (4.7K)	T	42/37.2
R366	7030005090	S.RES ERJ2GEJ 104 X (100K)	B	131.4/63.4
R367	7030005040	S.RES ERJ2GEJ 472 X (4.7K)	B	130.1/63
R368	7030005050	S.RES ERJ2GEJ 103 X (10K)	T	80.6/7.2
R370	7030005810	S.RES RR0510P-152-D (1.5K)	B	78.4/35.7
R371	7030005120	S.RES ERJ2GEJ 102 X (1K)	B	78.7/44.7
R372	7030010040	S.RES ERJ2GEJ-JPW	B	39.5/8.1
R373	7030010040	S.RES ERJ2GEJ-JPW	B	50.4/12.3
R374	7030005050	S.RES ERJ2GEJ 103 X (10K)	T	117.9/83.3
R375	7030010040	S.RES ERJ2GEJ-JPW	T	29.2/5.3
R376	7030005040	S.RES ERJ2GEJ 472 X (4.7K)	T	75.8/18.3
R377	7030005160	S.RES ERJ2GEJ 105 X (1M)	B	112.9/12.2
R378	7030005160	S.RES ERJ2GEJ 105 X (1M)	B	114.2/12.7
R379	7410001140	S.ARR EXB28V104JX	B	99.9/18
R380	7030005090	S.RES ERJ2GEJ 104 X (100K)	T	110.9/22.4
R385	7030010040	S.RES ERJ2GEJ-JPW	T	64.8/76.6
R386	7410000750	S.ARR EXB-V4V 104JV (100K)	T	110.1/30.2
R387	7030005120	S.RES ERJ2GEJ 102 X (1K)	T	104.8/86.7
R388	7030005120	S.RES ERJ2GEJ 102 X (1K)	T	108.8/86.7
R389	7030005050	S.RES ERJ2GEJ 103 X (10K)	T	103.8/38.2
R390	7030008300	S.RES ERJ2GEJ 184 X (180K)	B	25.1/10.4
R391	7030005120	S.RES ERJ2GEJ 102 X (1K)	B	27.8/7.2
R392	7030008400	S.RES ERJ2GEJ 182 X (1.8K)	B	32.8/7.3
R393	7030004980	S.RES ERJ2GEJ 101 X (100)	B	32.8/8.2
R394	7030004980	S.RES ERJ2GEJ 101 X (100)	B	26/8.8
R395	7030005290	S.RES ERJ2GEJ 682 X (6.8K)	B	26/7.2
R396	7030009290	S.RES ERJ2GEJ 562 X (5.6K)	B	26.9/5.6
R397	7030005120	S.RES ERJ2GEJ 102 X (1K)	B	79.6/48.3
R398	7030005030	S.RES ERJ2GEJ 152 X (1.5K)	B	26.9/7.2
R399	7030005050	S.RES ERJ2GEJ 103 X (10K)	B	97.7/11.3
R401	7030010040	S.RES ERJ2GEJ-JPW	T	26.5/9.9
R402	7030007300	S.RES ERJ2GEJ 332 X (3.3K)	T	24.9/5.9
R403	7030005090	S.RES ERJ2GEJ 104 X (100K)	B	14.1/5.7
R404	7030005110	S.RES ERJ2GEJ 224 X (220K)	B	103/46.2
R405	7030005170	S.RES ERJ2GEJ 474 X (470K)	B	99.9/47.3
R407	7030010040	S.RES ERJ2GEJ-JPW	T	23.8/5.9
C1	4030017420	S.CER C1005 CH 1H 470J-T	T	88.9/54.3
C2	4030017420	S.CER C1005 CH 1H 470J-T	T	89.9/54.3
C3	4030017420	S.CER C1005 CH 1H 470J-T	T	41.7/15.3
C4	4030017420	S.CER C1005 CH 1H 470J-T	B	50.4/14.9
C5	4030016930	S.CER C1005 JB 1A 104K-T	B	89.8/34.6
C6	4550006250	S.TAN TEESVA 1A 106M8R	B	77.3/49.9
C8	4030017420	S.CER C1005 CH 1H 470J-T	T	89.9/52
C9	4030016930	S.CER C1005 JB 1A 104K-T	T	88.9/52
C10	4030016930	S.CER C1005 JB 1A 104K-T	T	79.8/51
C11	4030016930	S.CER C1005 JB 1A 104K-T	T	9.3/18.1
C12	4030016930	S.CER C1005 JB 1A 104K-T	T	9.3/11.1
C13	4030016930	S.CER C1005 JB 1A 104K-T	T	82.8/6.6
C14	4030016930	S.CER C1005 JB 1A 104K-T	T	86.3/8.9
C15	4030017460	S.CER C1005 JB 1H 102K-T	T	41.5/7.7
C16	4550000460	S.TAN TEESVA 1C 105M8R	T	42.7/6.2
C17	4550000460	S.TAN TEESVA 1C 105M8R	B	43/6.2
C18	4030017420	S.CER C1005 CH 1H 470J-T	T	41.7/14.1
C19	4030017420	S.CER C1005 CH 1H 470J-T	B	50.4/15.8
C20	4030016970	S.CER C1005 JB 1E 223K-T	B	101/52.7
C21	4030017420	S.CER C1005 CH 1H 470J-T	T	41.7/16.9
C22	4030017420	S.CER C1005 CH 1H 470J-T	T	41.7/12.7
C23	4030016930	S.CER C1005 JB 1A 104K-T	T	52.2/5.6
C24	4030017660	S.CER C1005 CH 1H 330J-T	B	39.5/9.8
C25	4030017420	S.CER C1005 CH 1H 470J-T	T	60.9/5.9
C26	4030016930	S.CER C1005 JB 1A 104K-T	B	37.7/6
C27	4030018240	S.CER C1005 JB 1H 562K-T	B	36.8/7.3
C28	4030016790	S.CER C1005 JB 1E 103K-T	T	78.1/9.5
C29	4030017460	S.CER C1005 JB 1H 102K-T	T	78.5/12.5
C30	4030016930	S.CER C1005 JB 1A 104K-T	T	78.5/13.4
C31	4030017460	S.CER C1005 JB 1H 102K-T	T	82/50.5
C				

[MAIN-B UNIT] (For [EXP-05])

REF NO.	PARTS NO.	DESCRIPTION	M.	H/V LOCATION
C58	4030017430	S.CER C1005 CH 1H 101J-T	T	85.7/38.8
C59	4030017460	S.CER C1005 JB 1H 102K-T	T	81.8/24.8
C60	4030017420	S.CER C1005 CH 1H 470J-T	T	83/41.5
C61	4030017620	S.CER C1005 CH 1H 100C-T	T	84.4/40.2
C62	4030017650	S.CER C1005 CH 1H 270J-T	T	81.2/41.5
C65	4030017460	S.CER C1005 JB 1H 102K-T	T	28.7/10.6
C66	4550006250	S.TAN TEESVA 1A 106M8R	T	30.8/6.9
C68	4030017460	S.CER C1005 JB 1H 102K-T	T	30.5/8.5
C69	4030017460	S.CER C1005 JB 1H 102K-T	T	32.6/15.4
C70	4030017420	S.CER C1005 CH 1H 470J-T	B	30.6/14.3
C71	4030016940	S.CER C1005 JB 1A 393K-T	B	92.6/8.3
C72	4030018860	S.CER C1005 JB 0J 105K-T	B	50.9/11
C73	4030017750	S.CER C1005 JB 1H 122K-T	B	50.3/17.7
C74	4030016930	S.CER C1005 JB 1A 104K-T	B	52/17.7
C75	4030016930	S.CER C1005 JB 1A 104K-T	B	55.9/12.6
C77	4030017460	S.CER C1005 JB 1H 102K-T	B	53.1/12.7
C78	4030017460	S.CER C1005 JB 1H 102K-T	B	53.3/8.6
C79	4550006250	S.TAN TEESVA 1A 106M8R	B	50.1/33.1
C80	4030017770	S.CER C1005 JB 1H 332K-T	B	82.6/43.3
C81	4550000560	S.TAN TEESVA 1V 334M8R	B	84.4/41.1
C82	4030017460	S.CER C1005 JB 1H 102K-T	B	80.3/30.7
C83	4550000270	S.TAN TEESVA 1E 474M8R	B	84.4/35.9
C84	4030017460	S.CER C1005 JB 1H 102K-T	B	83.2/49.6
C85	4030017350	S.CER C1005 CH 1H 020B-T	T	55.2/45.4
C87	4030017560	S.CER C1005 CH 1H 2R5B-T	T	53.9/42.8
C88	4030017530	S.CER C1005 CH 1H 0R5B-T	T	55.2/42.3
C89	4030017560	S.CER C1005 CH 1H 2R5B-T	T	53.9/41.8
C91	4030016790	S.CER C1005 JB 1E 103K-T	T	27.3/17.3
C92	4030017460	S.CER C1005 JB 1H 102K-T	T	25.2/20.9
C93	4030017680	S.CER C1005 CH 1H 820J-T	T	32.4/12.5
C94	4030017460	S.CER C1005 JB 1H 102K-T	B	30.6/13.4
C95	4030016790	S.CER C1005 JB 1E 103K-T	T	28.8/19.3
C98	4030016930	S.CER C1005 JB 1A 104K-T	B	89.3/7.4
C99	4030016930	S.CER C1005 JB 1A 104K-T	B	90.8/14.6
C100	4030016930	S.CER C1005 JB 1A 104K-T	T	86.1/15.6
C101	4030017710	S.CER C1005 CH 1H 181J-T	T	83.7/7.5
C102	4030016930	S.CER C1005 JB 1A 104K-T	T	106.7/34.7
C103	4030016930	S.CER C1005 JB 1A 104K-T	B	55.3/19.5
C104	4550000270	S.TAN TEESVA 1E 474M8R	B	76.6/32.9
C105	4030017420	S.CER C1005 CH 1H 470J-T	B	74.2/41.3
C109	4550000530	S.TAN TEESVA 1V 104M8R	B	74.6/40.1
C110	4030017420	S.CER C1005 CH 1H 470J-T	B	74.2/34.8
C111	4030016930	S.CER C1005 JB 1A 104K-T	B	73.9/28.3
C112	4030017460	S.CER C1005 JB 1H 102K-T	T	73/27.4
C113	4030017420	S.CER C1005 CH 1H 470J-T	T	74.2/28.3
C114	4030016790	S.CER C1005 JB 1E 103K-T	T	24.3/20.9
C115	4030016790	S.CER C1005 JB 1E 103K-T	T	21.5/21.1
C116	4030016790	S.CER C1005 JB 1E 103K-T	T	26.6/22.5
C119	4030017640	S.CER C1005 CH 1H 150J-T	T	20.3/27.9
C120	4030016790	S.CER C1005 JB 1E 103K-T	T	32.2/22.5
C123	4030017660	S.CER C1005 CH 1H 330J-T	T	40/28
C124	4030016930	S.CER C1005 JB 1A 104K-T	B	90.8/17.4
C126	4030016930	S.CER C1005 JB 1A 104K-T	T	82.7/21.2
C128	4030016930	S.CER C1005 JB 1A 104K-T	T	80/20.2
C129	4030016930	S.CER C1005 JB 1A 104K-T	B	63.7/16
C130	4030016930	S.CER C1005 JB 1A 104K-T	B	134.8/16.8
C131	4030017660	S.CER C1005 CH 1H 330J-T	B	137.5/23.8
C132	4030017660	S.CER C1005 CH 1H 330J-T	B	137.5/18.8
C133	4030017600	S.CER C1005 CH 1H 080C-T	T	69/43.9
C134	4030017590	S.CER C1005 CH 1H 070C-T	T	70.3/43
C135	4030017610	S.CER C1005 CH 1H 090C-T	T	69/37.4
C136	4030017460	S.CER C1005 JB 1H 102K-T	B	84.1/27.8
C137	4030017680	S.CER C1005 CH 1H 820J-T	T	70.3/30
C138	4030017390	S.CER C1005 CH 1H 180J-T	T	69/30.9
C139	4030017400	S.CER C1005 CH 1H 220J-T	T	70.3/36.5
C140	4030017460	S.CER C1005 JB 1H 102K-T	T	73/40.4
C141	4030017460	S.CER C1005 JB 1H 102K-T	T	73/33.9
C142	4030018860	S.CER C1005 JB 0J 105K-T	T	90.1/10.7
C143	4030017550	S.CER C1005 CH 1H 1R5B-T	T	64.7/31.3
C145	4030016790	S.CER C1005 JB 1E 103K-T	T	27.8/35.2
C146	4030017610	S.CER C1005 CH 1H 090C-T	T	36.4/33.4
C147	4030016790	S.CER C1005 JB 1E 103K-T	T	35.1/35.2
C148	4030016790	S.CER C1005 JB 1E 103K-T	T	29.9/33.9
C149	4030016930	S.CER C1005 JB 1A 104K-T	B	76.5/18.7
C150	4030018560	S.CER C2012 JB 1A 475K-T	B	89/22
C151	4030016930	S.CER C1005 JB 1A 104K-T	T	111.1/46.3
C152	4030016930	S.CER C1005 JB 1A 104K-T	T	108.5/35.7
C153	4030017460	S.CER C1005 JB 1H 102K-T	T	110.3/35.6
C154	4030018860	S.CER C1005 JB 0J 105K-T	T	83.2/19.8
C155	4030017420	S.CER C1005 CH 1H 470J-T	T	110.3/37.9
C156	4030017910	S.CER C1005 JB 1H 152K-T	T	103.2/42.7
C157	4030017420	S.CER C1005 CH 1H 470J-T	T	110.7/47.2
C158	4030017430	S.CER C1005 CH 1H 101J-T	T	108.5/36.7
C159	4030017460	S.CER C1005 JB 1H 102K-T	B	118.5/9.4
C160	4030017460	S.CER C1005 JB 1H 102K-T	B	130.6/25.4
C161	4030017400	S.CER C1005 CH 1H 220J-T	T	64.2/43
C162	4030017590	S.CER C1005 CH 1H 070C-T	T	68.6/45.2
C163	4030017580	S.CER C1005 CH 1H 060C-T	T	64.2/36.5
C164	4030017370	S.CER C1005 CH 1H 3R5B-T	T	61.6/44.8
C165	4030017640	S.CER C1005 CH 1H 150J-T	T	60.3/45.2
C166	4030017640	S.CER C1005 CH 1H 150J-T	T	68.6/38.7
C167	4030017630	S.CER C1005 CH 1H 120J-T	T	64.2/30
C168	4030017590	S.CER C1005 CH 1H 070C-T	T	61.6/38.3
C169	4030017390	S.CER C1005 CH 1H 180J-T	T	60.3/38.7
C170	4030017340	S.CER C1005 CH 1H 010B-T	T	65.6/31.3
C171	4030018120	S.CER C1005 CH 1H 110J-T	T	68.6/32.2
C172	4030017630	S.CER C1005 CH 1H 120J-T	T	61.6/31.8
C173	4030017390	S.CER C1005 CH 1H 180J-T	T	60.2/32.2
C174	4030017640	S.CER C1005 CH 1H 150J-T	T	38.1/37.2
C175	4030016790	S.CER C1005 JB 1E 103K-T	B	41.4/39.4
C176	4030016930	S.CER C1005 JB 1A 104K-T	B	41.2/32.8
C177	4030017730	S.CER C1005 JB 1H 471K-T	B	42.1/32.8
C178	4030016790	S.CER C1005 JB 1E 103K-T	B	34.6/32.9
C180	4030017740	S.CER C1005 JB 1H 821K-T	T	108.8/47.5
C181	4030016930	S.CER C1005 JB 1A 104K-T	T	111.5/43.6

[MAIN-B UNIT] (For [EXP-05])

REF NO.	PARTS NO.	DESCRIPTION	M.	H/V LOCATION
C182	4030016780	S.CER C1005 JB 1E 153K-T	T	112/39.9
C183	4030017420	S.CER C1005 CH 1H 470J-T	T	103.8/44.5
C184	4030017760	S.CER C1005 JB 1H 222K-T	T	105.4/47.5
C185	4030017690	S.CER C1005 CH 1H 121J-T	T	107.1/47.5
C186	4030016930	S.CER C1005 JB 1A 104K-T	T	62.6/40.9
C187	4030017460	S.CER C1005 JB 1H 102K-T	T	63.5/40.9
C188	4030016790	S.CER C1005 JB 1E 103K-T	T	62.6/34.4
C189	4030017460	S.CER C1005 JB 1H 102K-T	T	63.5/34.4
C190	4030017340	S.CER C1005 CH 1H 010B-T	T	58.6/42.7
C191	4030016790	S.CER C1005 JB 1E 103K-T	T	62.6/27.9
C192	4030017550	S.CER C1005 CH 1H 1R5B-T	T	58.6/36.2
C193	4030017460	S.CER C1005 JB 1H 102K-T	T	63.5/27.9
C194	4030017550	S.CER C1005 CH 1H 1R5B-T	T	58.9/31.8
C195	4030016930	S.CER C1005 JB 1A 104K-T	B	40.3/30.2
C196	4030017730	S.CER C1005 JB 1H 471K-T	B	38.7/33.2
C197	4030016930	S.CER C1005 JB 1A 104K-T	B	38.7/32.3
C198	4030017730	S.CER C1005 JB 1H 471K-T	B	31.3/38.3
C199	4030016930	S.CER C1005 JB 1A 104K-T	B	31.3/39.2
C200	4030016930	S.CER C1005 JB 1A 104K-T	B	31.3/34.1
C201	4030017730	S.CER C1005 JB 1H 471K-T	T	31.3/35.9
C202	4030017460	S.CER C1005 JB 1H 102K-T	T	112/38.9
C203	4030017460	S.CER C1005 JB 1H 102K-T	B	100.8/47.7
C204	4030018820	S.CER C1005 JB 1H 561K-T	B	66.4/33.1
C205	4030018900	S.CER C1005 JB 0J 474K-T	T	79.6/19.3
C206	4030016930	S.CER C1005 JB 1A 104K-T	T	78.5/16.7
C207	4030017730	S.CER C1005 JB 1H 471K-T	T	54.2/27.8
C208	4030017460	S.CER C1005 JB 1H 102K-T	T	55.3/32.2
C209	4030017460	S.CER C1005 JB 1H 102K-T	B	53.6/35.9
C210	4030017380	S.CER C1005 CH 1H 050B-T	T	52.7/33.4
C211	4030017610	S.CER C1005 CH 1H 090C-T	T	54.7/34.9
C212	4030017460	S.CER C1005 JB 1H 102K-T	T	53.9/38
C213	4030017460	S.CER C1005 JB 1H 102K-T	B	55.8/42.5
C214	4030017460	S.CER C1005 JB 1H 102K-T	B	58.6/34.7
C215	4030017600	S.CER C1005 CH 1H 080C-T	B	39.5/44.6
C216	4030017640	S.CER C1005 CH 1H 150J-T	B	41.5/44.6
C217	4030017730	S.CER C1005 JB 1H 471K-T	B	25.4/33.2
C218	4030016930	S.CER C1005 JB 1A 104K-T	B	23.8/33.2
C219	4030017570	S.CER C1005 CH 1H 040B-T	B	22.7/36.5
C220	4030017550	S.CER C1005 CH 1H 1R5B-T	B	22.2/37.7
C221	4030016930	S.CER C1005 JB 1A 104K-T	B	5.6/23.2
C222	4030017030	S.CER C1005 JB 1A 273K-T	B	128.7/45.9
C223	4030016930	S.CER C1005 JB 1A 104K-T	B	123.5/43.9
C224	4030017640	S.CER C1005 CH 1H 150J-T	T	123/39.9
C225	4030016790	S.CER C1005 JB 1E 103K-T	T	125/36.8
C226	4030017580	S.CER C1005 CH 1H 060C-T	T	123.4/40.8
C227	4030017460	S.CER C1005 JB 1H 102K-T	B	48/35
C228	4030017460	S.CER C1005 JB 1H 102K-T	T	49.4/37.2
C229	4030017620	S.CER C1005 CH 1H 100C-T	B	58.6/40.8
C230	4030017460	S.CER C1005 JB 1H 102K-T	B	48.8/49.7
C231	4030017340	S.CER C1005 CH 1H 010B-T	B	51.5/44.8
C232	4030017460	S.CER C1005 JB 1H 102K-T	T	55.2/40.6
C234	4030017370	S.CER C1005 CH 1H 3R5B-T	T	50.8/49.7
C235	4030017460	S.CER C1005 JB 1H 102K-T	B	45.8/42.9
C236	4030017600	S.CER C1005 CH 1H 080C-T	B	44.2/44.6
C237	4030017400	S.CER C1005 CH 1H 220J-T	B	45.1/46
C239	4030017560	S.CER C1005 CH 1H 2R5B-T	B	12.9/35.7
C240	4030017610	S.CER C1005 CH 1H 090C-T	B	14/34.4
C241	4030017340	S.CER C1005 CH 1H 010B-T	B	15.5/37.7
C242	4030017610	S.CER C1005 CH 1H 090C-T	B	10.4/35.7
C243	4030017460	S.CER C1005 JB 1H 102K-T	B	15.4/32.2
C244	4030017460	S.CER C1005 JB 1H 102K-T	B	9.7/31.4
C245	4550006780	S.TAN TEESVB2 0J 476M8R	B	5.6/18.7
C246	4030016930	S.CER C1005 JB 1A 104K-T	B	104.2/52.7
C247	4030016930	S.CER C1005 JB 1A 104K-T	B	106/54.6
C248	4030016930	S.CER C1005 JB 1A 104K-T	B	107.6/52.4
C249	4030018900	S.CER C1005 JB 0J 474K-T	T	121/47.7
C250	4030017630	S.CER C1005 CH 1H 120J-T	T	120.4/39.9
C251	4030017630	S.CER C1005 CH 1H 120J-T	B	66.3/65.9
C252	4030017420	S.CER C1005 CH 1H 470J-T	B	61/66.2
C253	4030017730	S.CER C1005 JB 1H 471K-T	B	65.1/70.5
C254	4030017420	S.CER C1005 CH 1H 470J-T	B	69.9/71.6

[MAIN-B UNIT] (For [EXP-05])

REF NO.	PARTS NO.	DESCRIPTION	M.	H/V LOCATION
C292	4550007080	S.TAN TEESVA 1C 106M8R	T	66.2/79.9
C294	4030017420	S.CER C1005 CH 1H 470J-T	T	70.3/76.6
C295	4030017420	S.CER C1005 CH 1H 470J-T	B	58.4/69.9
C297	4030017460	S.CER C1005 JB 1H 102K-T	B	58.4/67.9
C298	4510008540	S.ELE EEE1CA100SR	T	62.7/80.3
C299	4030017650	S.CER C1005 CH 1H 270J-T	B	6.7/48.4
C300	4030017600	S.CER C1005 CH 1H 080C-T	B	9.5/50.4
C301	4030017600	S.CER C1005 CH 1H 080C-T	B	11.7/48.8
C302	4030017460	S.CER C1005 JB 1H 102K-T	B	4.1/44.7
C303	4030016930	S.CER C1005 JB 1A 104K-T	B	127.6/31.4
C304	4030017420	S.CER C1005 CH 1H 470J-T	T	90.5/43
C305	4030011100	S.CER GRM31M2C2H8R0DV01L (GRM42-6 CH)	T	27.6/79.2
C308	4030011120	S.CER GRM31M2C2H100JV01L (GRM42-6 CH)	T	27.6/71.2
C309	4030017460	S.CER C1005 JB 1H 102K-T	T	71.4/76.6
C310	4030017420	S.CER C1005 CH 1H 470J-T	T	43.9/76.6
C311	4030017460	S.CER C1005 JB 1H 102K-T	T	45/76.6
C312	4030017730	S.CER C1005 JB 1H 471K-T	T	46.1/76.6
C313	4510008680	S.ELE EEE1EA220SP	T	51.8/83
C314	4030017420	S.CER C1005 CH 1H 470J-T	B	33.4/66.3
C315	4030017460	S.CER C1005 JB 1H 102K-T	B	57.6/63.6
C316	4030016790	S.CER C1005 JB 1E 103K-T	B	55.9/64.5
C317	4030016970	S.CER C1005 JB 1E 223K-T	B	55.8/70.1
C318	4030017460	S.CER C1005 JB 1H 102K-T	T	34.9/66.7
C319	4030017460	S.CER C1005 JB 1H 102K-T	B	45.3/66.9
C320	4030017510	S.CER C1005 CH 1H 680J-T	B	13.9/52.1
C321	4030017460	S.CER C1005 JB 1H 102K-T	B	16.5/48.8
C322	4030017350	S.CER C1005 CH 1H 020B-T	B	21.2/51.2
C324	4030017420	S.CER C1005 CH 1H 470J-T	T	90.1/41.7
C325	4030017460	S.CER C1005 JB 1H 102K-T	T	73.2/67.6
C326	4030017420	S.CER C1005 CH 1H 470J-T	B	40.5/67.3
C327	4030017460	S.CER C1005 JB 1H 102K-T	B	83.9/79.3
C328	4030017420	S.CER C1005 CH 1H 470J-T	B	82.9/79.3
C329	4030017400	S.CER C1005 CH 1H 220J-T	T	81.9/79.3
C330	4510008540	S.ELE EEE1CA100SR	T	96.7/53.9
C331	4510008540	S.ELE EEE1CA100SR	T	60.6/55.1
C332	4030017780	S.CER C1005 JB 1H 472K-T	B	53.5/66.1
C334	4030017460	S.CER C1005 JB 1H 102K-T	B	50.8/70.2
C335	4030017460	S.CER C1005 JB 1H 102K-T	B	48.7/69.4
C337	4030017600	S.CER C1005 CH 1H 080C-T	B	28.2/53.7
C338	4510008540	S.ELE EEE1CA100SR	T	79.1/69.1
C339	4030017460	S.CER C1005 JB 1H 102K-T	T	79.1/62.1
C340	4030017460	S.CER C1005 JB 1H 102K-T	T	63.5/55.5
C341	4030016790	S.CER C1005 JB 1E 103K-T	T	68.1/52.3
C342	4030017200	S.CER GRM31BR32J102KY01L	T	26.8/61.7
C344	4030011110	S.CER GRM31M2C2H9R0DV01L (GRM42-6 CH)	T	20.9/63.3
C345	4030011110	S.CER GRM31M2C2H9R0DV01L (GRM42-6 CH)	T	18.3/58.5
C346	4030011050	S.CER GRM31M3C2H3R0CY21L (GRM42-6 CJ)	T	34.3/58.3
C347	4030017520	S.CER C1005 CH 1H 0R3B-T	B	33.7/61.7
C348	4030017460	S.CER C1005 JB 1H 102K-T	B	39.7/61.7
C349	4030011110	S.CER GRM31M2C2H9R0DV01L (GRM42-6 CH)	T	10.3/61.7
C350	4030011110	S.CER GRM31M2C2H9R0DV01L (GRM42-6 CH)	T	12.9/65.2
C351	4030016930	S.CER C1005 JB 1A 104K-T	T	110.8/66.5
C352	4030017460	S.CER C1005 JB 1H 102K-T	B	124.6/59.7
C353	4550006250	S.TAN TEESVA 1A 106M8R	B	124/61.3
C354	4550006250	S.TAN TEESVA 1A 106M8R	B	112.9/61.7
C355	4030017420	S.CER C1005 CH 1H 470J-T	B	112.6/60.1
C356	4030011110	S.CER GRM31M2C2H9R0DV01L (GRM42-6 CH)	T	15.7/65.2
C357	4030011110	S.CER GRM31M2C2H9R0DV01L (GRM42-6 CH)	T	4.2/63.3
C358	4030009530	S.CER C1608 CH 1H 030B-T	B	10.7/61.4
C359	4030006860	S.CER C1608 JB 1H 102K-T	B	9.9/59.5
C360	4030017460	S.CER C1005 JB 1H 102K-T	B	8.7/54
C361	4030017460	S.CER C1005 JB 1H 102K-T	T	101.3/52.9
C362	4030017460	S.CER C1005 JB 1H 102K-T	T	106.3/21.1
C363	4510008540	S.ELE EEE1CA100SR	T	139.1/31.9
C365	4550007650	S.TAN F931V105MAABMA	B	107.7/65.1
C366	4550007650	S.TAN F931V105MAABMA	B	105.6/65.1
C367	4550007650	S.TAN F931V105MAABMA	B	103.5/65.1
C368	4550007650	S.TAN F931V105MAABMA	B	101.4/65.1
C369	4030011020	S.CER GRM31M4C2H1R0CY21L (GRM42-6 CK)	T	15.3/81.1
C370	4030011060	S.CER GRM31M2C2H4R0CY21L (GRM42-6 CH)	T	5.3/81.1
C371	4030017460	S.CER C1005 JB 1H 102K-T	B	2.9/80.8
C372	4030006860	S.CER C1608 JB 1H 102K-T	B	8.3/79.6
C373	4030016790	S.CER C1005 JB 1E 103K-T	B	130.6/51.7
C374	4030016930	S.CER C1005 JB 1A 104K-T	B	132.8/51.3
C375	4030016930	S.CER C1005 JB 1A 104K-T	B	132.4/54.6
C377	4030017460	S.CER C1005 JB 1H 102K-T	T	104.7/52.9
C378	4030017460	S.CER C1005 JB 1H 102K-T	B	105.1/80.9
C379	4030016930	S.CER C1005 JB 1A 104K-T	B	110.5/84.5
C380	4030017460	S.CER C1005 JB 1H 102K-T	T	120.9/85.3
C381	4030016790	S.CER C1005 JB 1E 103K-T	B	135.9/70.5
C382	4510008680	S.ELE EEE1EA220SP	T	68.6/63.4
C383	4030017460	S.CER C1005 JB 1H 102K-T	B	135.9/71.5
C384	4510008870	S.ELE EEE1AA471UP	T	129.9/64.9
C386	4030016930	S.CER C1005 JB 1A 104K-T	B	138.8/53.7
C387	4030017730	S.CER C1005 JB 1H 471K-T	B	135.4/51.3
C388	4030018860	S.CER C1005 JB 0J 105K-T	B	138.7/52.2
C389	4030016930	S.CER C1005 JB 1A 104K-T	B	139.1/48.5
C390	4030016930	S.CER C1005 JB 1A 104K-T	B	137.8/55.4
C391	4030016930	S.CER C1005 JB 1A 104K-T	T	107.6/80
C392	4030017460	S.CER C1005 JB 1H 102K-T	B	131.3/74.7
C393	4030017460	S.CER C1005 JB 1H 102K-T	B	98.3/79.2
C394	4030017420	S.CER C1005 CH 1H 470J-T	B	115.4/68
C395	4030017460	S.CER C1005 JB 1H 102K-T	B	128.8/76.7
C397	4030017460	S.CER C1005 JB 1H 102K-T	B	100.8/86.3

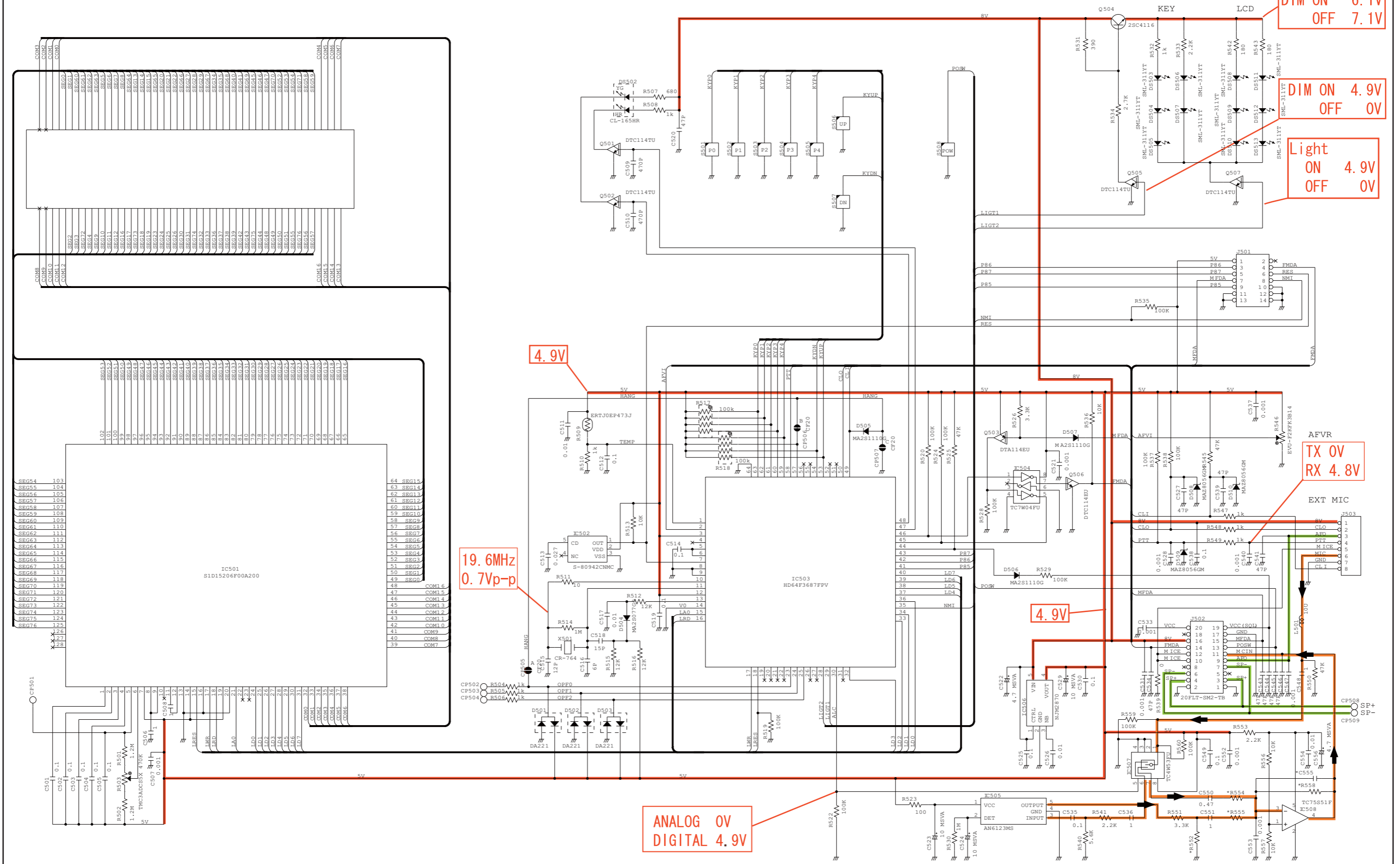
[MAIN-B UNIT] (For [EXP-05])

REF NO.	PARTS NO.	DESCRIPTION	M.	H/V LOCATION
C398	4030017420	S.CER C1005 CH 1H 470J-T	B	99.8/86.3
C399	4030018860	S.CER C1005 JB 0J 105K-T	B	134.5/34.8
C400	4030016930	S.CER C1005 JB 1A 104K-T	B	136.9/37
C411	4510008780	S.ELE EEE1EA471P	T	117.2/63.6
C412	4510008780	S.ELE EEE1EA471P	T	132.7/54.3
C413	4030018900	S.CER C1005 JB 0J 474K-T	B	135.1/46.8
C414	4510008540	S.ELE EEE1CA100SR	T	113.9/50.1
C415	4030016930	S.CER C1005 JB 1A 104K-T	B	103/23.8
C416	4030016930	S.CER C1005 JB 1A 104K-T	B	121/51.5
C417	4030016790	S.CER C1005 JB 1E 103K-T	B	113.8/51.7
C418	4030017460	S.CER C1005 JB 1H 102K-T	B	102.3/57.9
C419	4030016790	S.CER C1005 JB 1E 103K-T	T	42.5/39.1
C420	4030017420	S.CER C1005 CH 1H 470J-T	T	39.8/37.2
C421	4030016930	S.CER C1005 JB 1A 104K-T	B	36.1/24.4
C422	4030016790	S.CER C1005 JB 1E 103K-T	T	42.9/33
C423	4030007090	S.CER C1608 CH 1H 470J-T	T	33.6/38.9
C424	4030016930	S.CER C1005 JB 1A 104K-T	T	33.6/41.2
C425	4030017460	S.CER C1005 JB 1H 102K-T	B	134.8/66.1
C426	4030011030	S.CER GRM31M4C2H1R5CY21L (GRM42-6 CK)	T	29.2/75.2
C427	4030017550	S.CER C1005 CH 1H 1R5B-T	B	19.5/36.6
C429	4030016790	S.CER C1005 JB 1E 103K-T	B	138.4/51
C430	4030018860	S.CER C1005 JB 0J 105K-T	B	110.4/10.7
C431	4030017460	S.CER C1005 JB 1H 102K-T	B	114.2/11.7
C432	4030017420	S.CER C1005 CH 1H 470J-T	B	119.4/69.8
C433	4030017460	S.CER C1005 JB 1H 102K-T	B	119.4/70.8
C435	4030016930	S.CER C1005 JB 1A 104K-T	T	8.9/7.8
C436	4030016930	S.CER C1005 JB 1A 104K-T	B	56/38.5
C437	4030016930	S.CER C1005 JB 1A 104K-T	B	25.1/8.8
C438	4030016930	S.CER C1005 JB 1A 104K-T	B	32.8/5.5
C440	4030016930	S.CER C1005 JB 1A 104K-T	B	25.1/7.2
C441	4030016930	S.CER C1005 JB 1A 104K-T	B	26/5.6
C442	4030016930	S.CER C1005 JB 1A 104K-T	B	26.9/8.8
C443	4030017040	S.CER C1005 JB 1A 333K-T	B	34.5/8.2
C444	4030016930	S.CER C1005 JB 1A 104K-T	T	22.3/10.2
C445	4030017650	S.CER C1005 CH 1H 270J-T	T	32.8/6.4
C446	4030017590	S.CER C1005 CH 1H 070C-T	T	23/20.4
C447	4030017340	S.CER C1005 CH 1H 010B-T	B	17.1/37.7
C448	4030017340	S.CER C1005 CH 1H 010B-T	B	12.5/36.9
C449	4030017380	S.CER C1005 CH 1H 050B-T	T	65.6/42.5
C450	4030017530	S.CER C1005 CH 1H 0R5B-T	T	66.6/36
C451	4030018860	S.CER C1005 JB 0J 105K-T	B	92.6/6.6
C452	4030019120	S.CER GRM188B31E105KA75D	B	129.7/64.1
C453	4030016930	S.CER C1005 JB 1A 104K-T	B	132.1/55.8
C454	4030017690	S.CER C1005 CH 1H 121J-T	T	26/7.8
J1	6510026770	S.CON AXK540147YG	T	124.5/9.7
J2	6510026770	S.CON AXK540147YG	T	101.5/9.7
J3	6510021301	S.CON 52365-1071	T	90.3/62.6
J5	6510023092	S.CON 20FLT-SM2-TB(LF)(SN)(M)	T	108.3/83.2
J7	6450000140	CON HSJ0807-01-010		
J10	6510023092	S.CON 20FLT-SM2-TB(LF)(SN)(M)	T	71/7
W1	7030012290	JUM RDS2TOR0		
W2	8900016250	CAB OPC-1701 <CMI>T/H!		
EP2	6910015370	S.BEA ACZ1005Y-102-T	B	60.4/28.3
EP3	6910015370	S.BEA ACZ1005Y-102-T	T	85.7/30
EP4	6910010280	BEA HF70BB9.5X10.4X4.9		
EP5	6910010280	BEA HF70BB9.5X10.4X4.9		
EP6	6910015370	S.BEA ACZ1005Y-102-T	T	79.6/41.5
EP7	6910011560	BEA HF70BB4.5X5X1.6		
EP8	0880002600	UNI EX-2887 #13] UT-126H		

M.=Mounted side (T: Mounted on the Top side, B: Mounted on the Bottom side)
S.=Surface mount

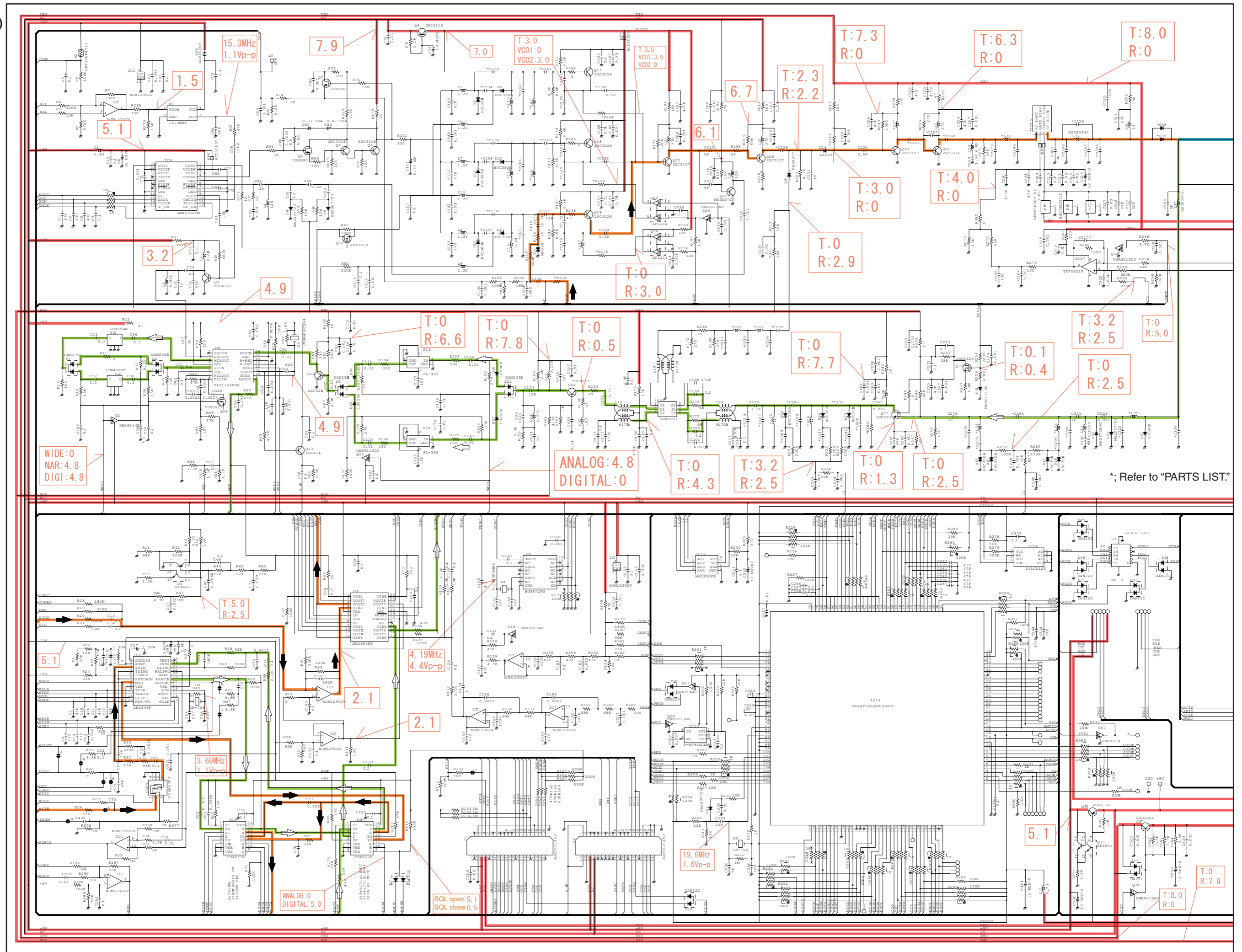
VOLTAGE DIAGRAM

• FRONT UNIT

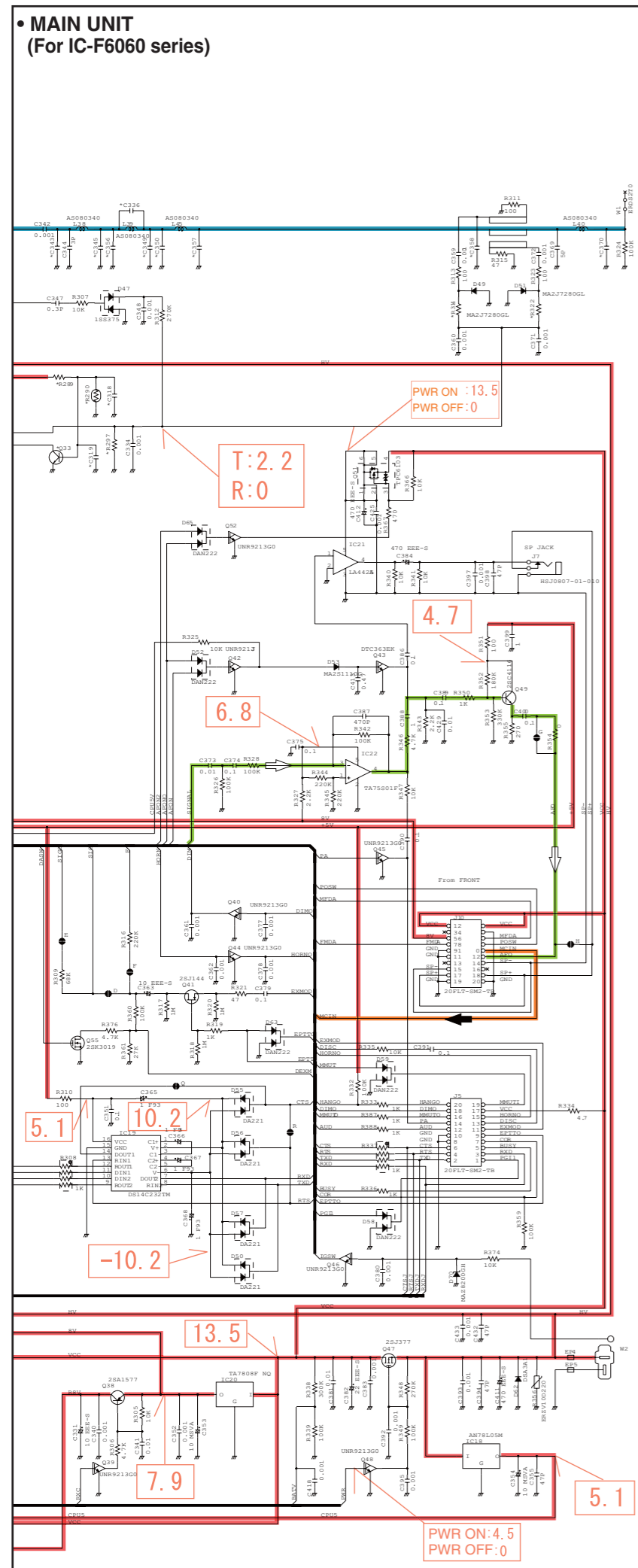


*; Refer to "PARTS LIST"

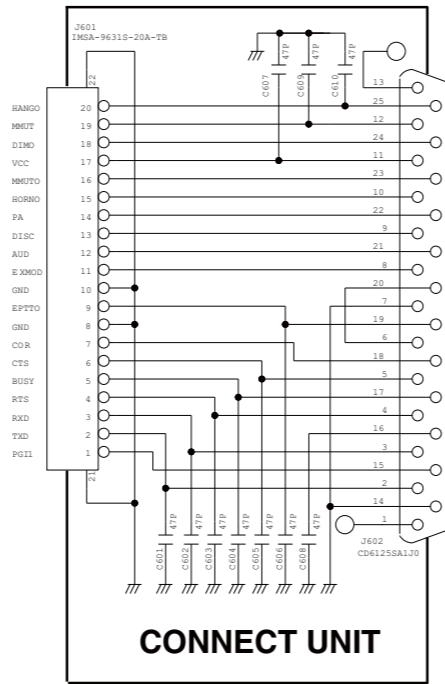
• MAIN UNIT
(For IC-F6060 series)



MAIN UNIT
(For IC-F6060 series)



To J5 (MAIN UNIT)

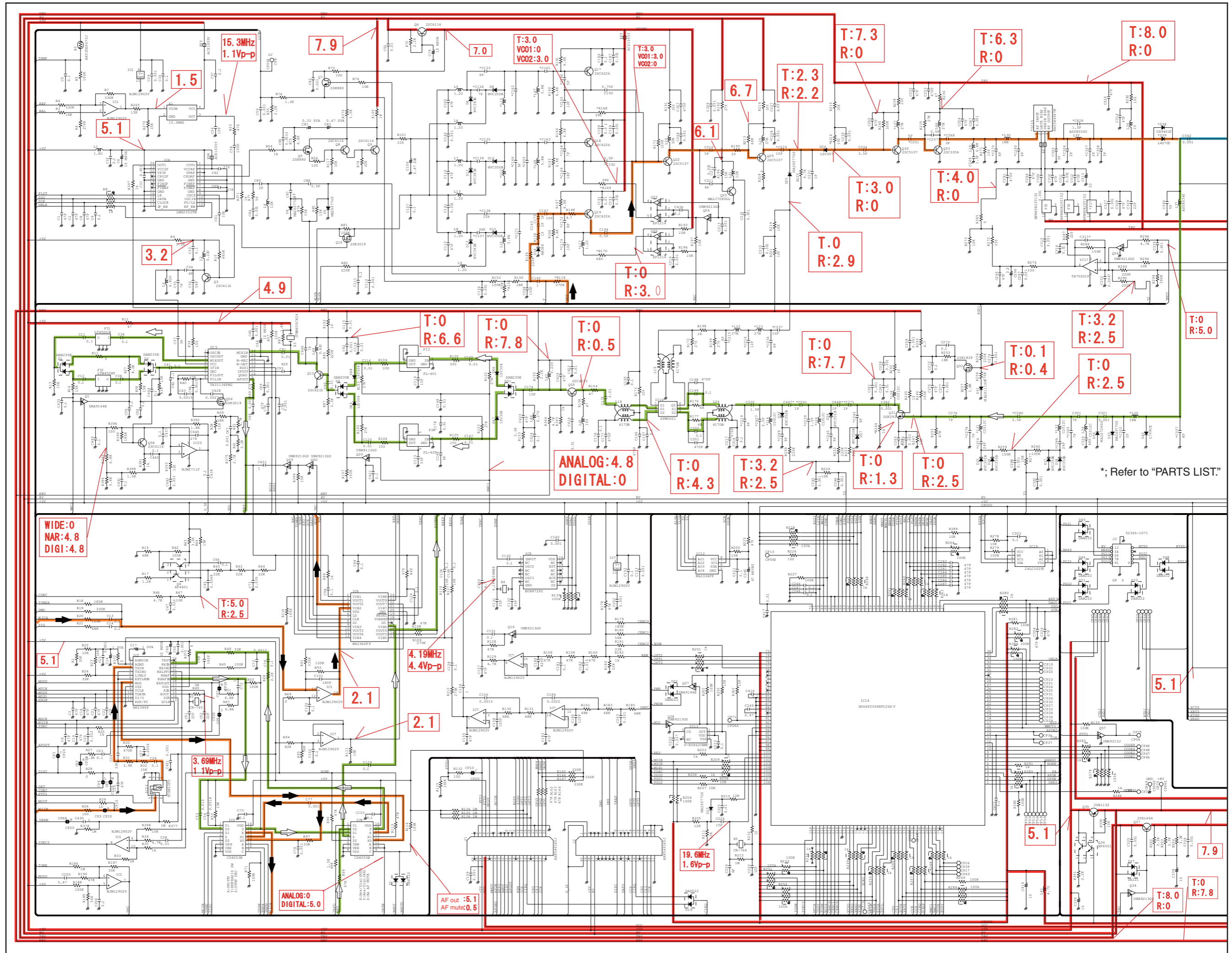


D-SUB 25pin

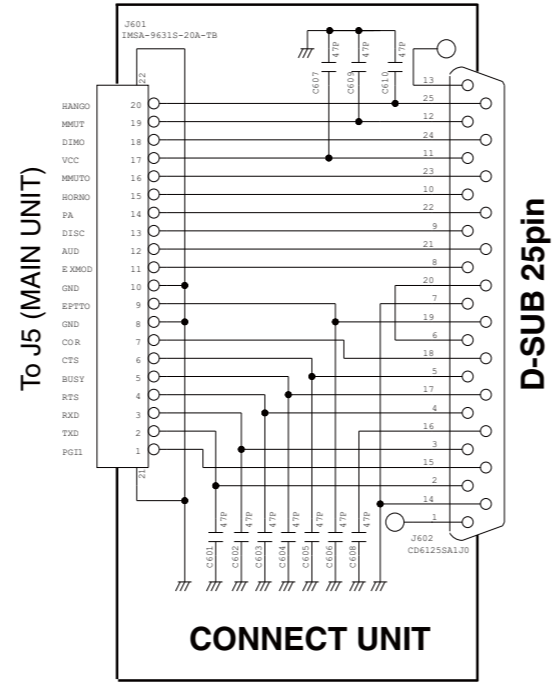
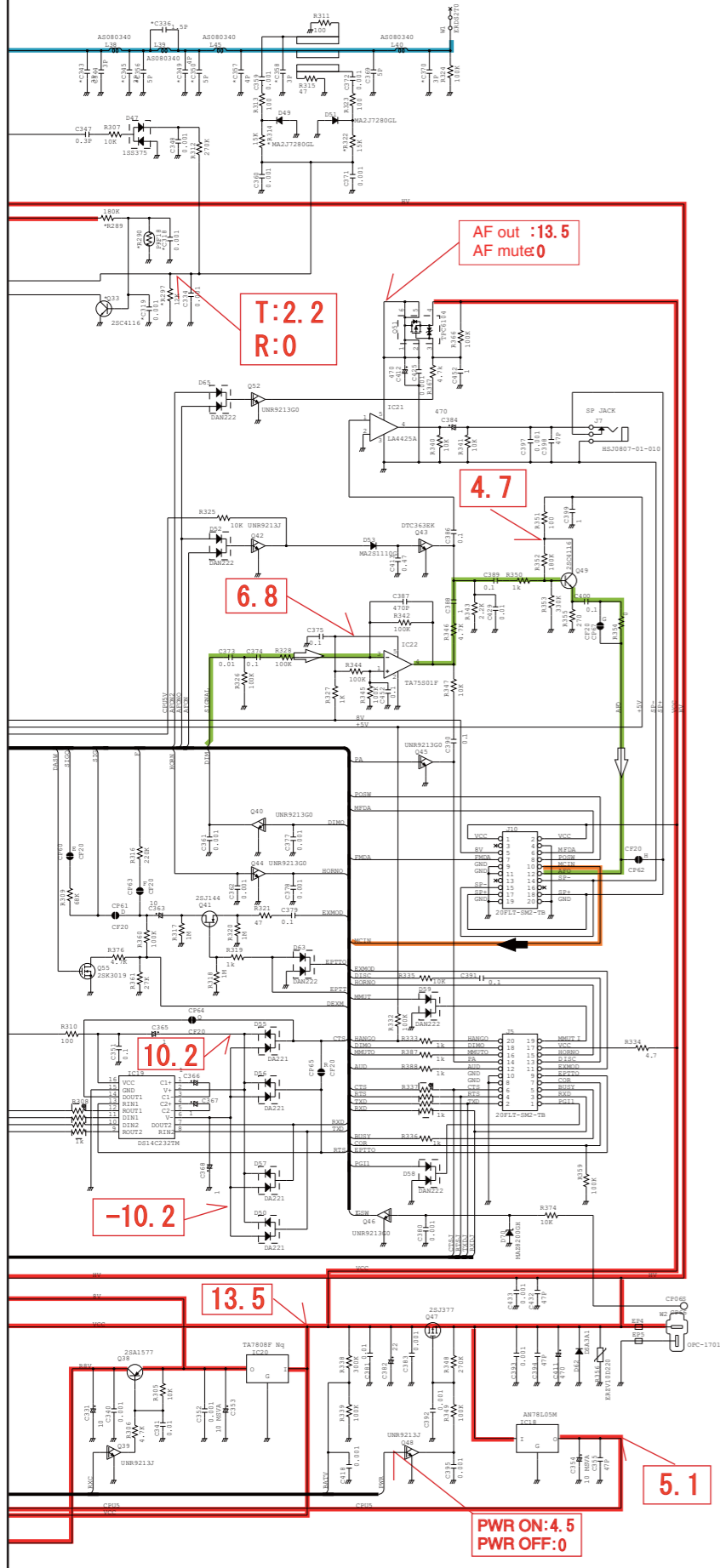
CONNECT UNIT

*; Refer to "PARTS LIST."

• MAIN-A UNIT
(For MDC compatible versions)

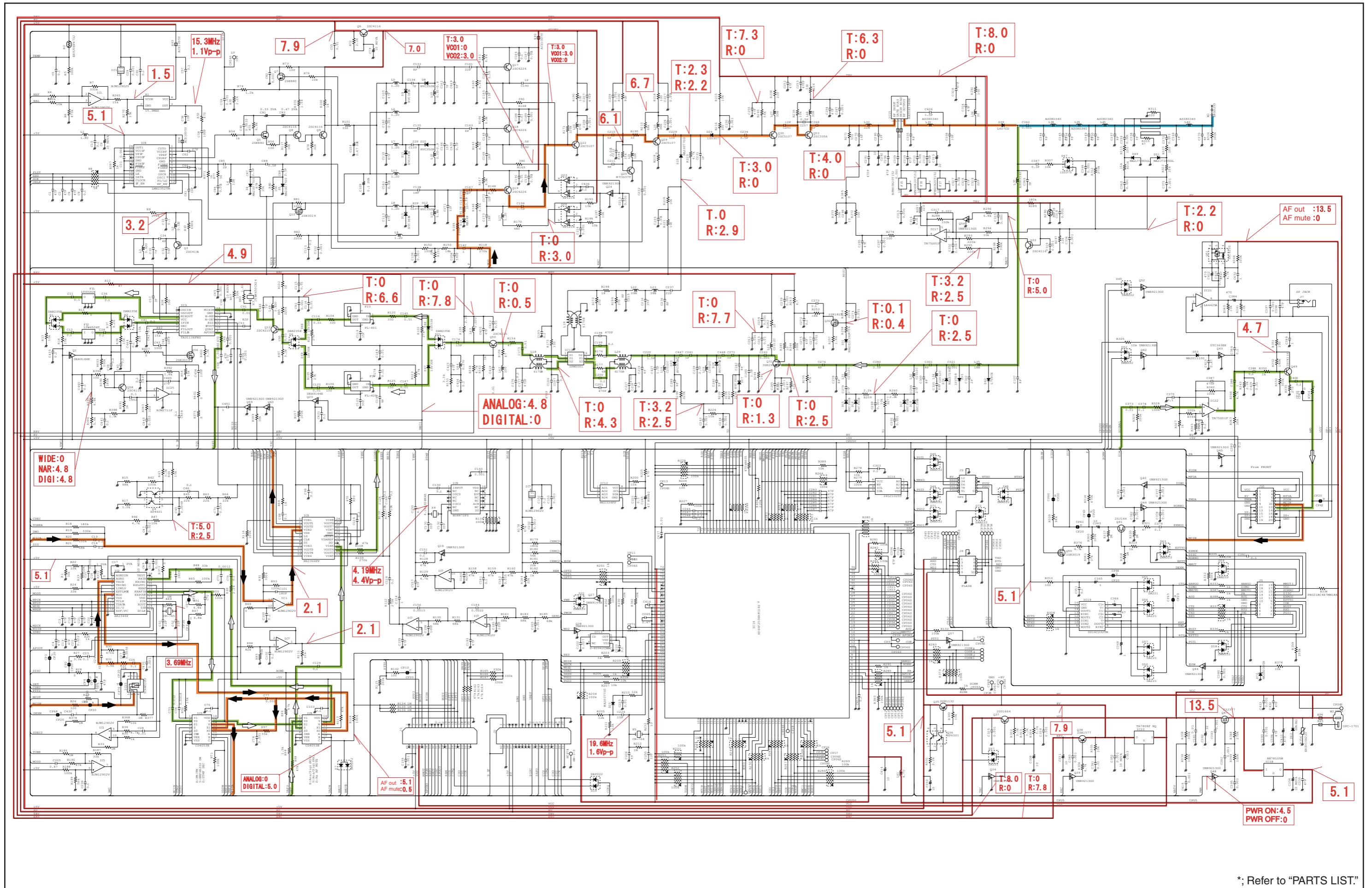


**• MAIN-A UNIT
(For MDC compatible versions)**



*; Refer to "PARTS LIST."

• MAIN-B UNIT
(For [EXP-05])



*; Refer to "PARTS LIST"

IC-F6061/F6061D/-L/F6062/F6062D/F6063

CONTENTS

REPLACEMENT PAGES	1-1,6-1,6-2 and 6-4 to 6-6
PARTS LIST	1
BOARD LAYOUTS	25
VOLTAGE DIAGRAM	27

MODEL	VERSION	FREQUENCY RANGE	DESCRIPTION	TX POWER
IC-F6061	USA-01	400-470 MHz (Low band)	-	45 W
	USA-02	450-512 MHz (High band)		
	USA-03	400-470 MHz (Low band)	MDC compatible	
	USA-04	450-512 MHz (High band)		
	USA-55	400-470 MHz (Low band)		
	USA-56	400-470 MHz (Low band)		
IC-F6061D	USA-01	400-470 MHz (Low band)	MDC compatible & UT-126H installed	45 W
	USA-02	450-512 MHz (High band)		
	CHN-01	400-470 MHz (Low band)		
IC-F6062	EUR-01	400-470 MHz (Low band)	-	25 W
	EUR-03	400-470 MHz (Low band)	MDC compatible	
IC-F6062D	EUR-03	400-470 MHz (Low band)	UT-126H installed	
IC-F6063	EXP-01	400-470 MHz (Low band)	-	25 W
	EXP-02	450-520 MHz (High band)		
	EXP-03	400-470 MHz (Low band)	MDC compatible	
	EXP-04	450-520 MHz (High band)		
IC-F6061-L	CHN-01	350-400 MHz (350 MHz band)		45W
IC-F6061D-L	EXP-05	350-400 MHz (350 MHz band)	UT-126H installed	

SECTION 1

SPECIFICATIONS

		[USA]	[EXP]	[EUR]	
GENERAL	• Frequency coverage	400–470 MHz [USA-01] 450–512 MHz [USA-02]	400–470 MHz [EXP-01] 450–520 MHz [EXP-02] 350–400 MHz [EXP-05]	400–470 MHz	
	• Type of emission	Wide	16K0F3E (25.0 kHz)		
		Middle	–	14K0F3E (20.0 kHz)	
		Narrow	11K0F3E (12.5 kHz) 11K0F7E/D (12.5 kHz)* 8K10F1E/D (12.5 kHz)* 4K00F1E/D (6.25 kHz)*	8K50F3E (12.5 kHz) 4K00F1E/D (6.25 kHz)*	
	• Number of programable channels	max. 512 channels (128 zones)			
	• Antenna impedance	50 Ω (nominal)			
	• Operating temperature range	–30° to +60°; –22°F to +140°F; –22°F to +140°F		–25°C to +55°C	
	• Power supply requirement (negative ground)	13.6 V DC (nominal)		13.2 V DC (nominal)	
	• Current drain (approx.)	RX	Stand-by	300 mA	
			Max.audio	1200 mA	
TX		at 25 W	7 A		
	at 45 W	14 A			
• Dimensions (projections not included)	160 (W) × 45 (H) × 150 (D) mm; 2 3/32 (W) × 4 23/32 (H) × 1 9/32 (D) in				
• Weight	1310 g; 2 lb 14 oz				
TRANSMITTER	• Transmit output power	45 W	25 W (except [EXP-05])		
	• Modulation	Variable reactance frequency modulation			
	• Max. permissible deviation	Wide	±5.0 kHz		
		Middle	–	±4.0 kHz	
		Narrow	±2.5 kHz		
	• Frequency error	±1.0 ppm	±1.5 kHz		
	• Spurious emission	75 dB typ.		0.25 μW (≤1 GHz), 1.0 μW (>1 GHz)	
	• Adjacent channel power	Wide	More than 70 dB		
		Middle	–	More than 70 dB	
		Narrow	More than 60 dB		
	• Audio harmonic distortion	3% typ. (with 1 kHz AF 40% deviation)			
	• FM hum and noise (without CCITT filter)	Wide	More than 40 dB (45 dB typ.)		
		Narrow	More than 34 dB (40 dB typ.)		
• Limiting charact of modulation	70–100% of max. deviation				
• Microphone impedance	600 Ω				
RECEIVER	• Receive system	Double-conversion superheterodyne			
	• Intermediate frequencies	1st IF; 46.35 MHz, 2nd IF; 450 kHz			
	• Sensitivity	0.25 μV typ. at 12 dB SINAD		–4 dBμV (EMF) typ. at 20 dB SINAD	
	• Squelch sensitivity (at threshold)	0.25 μV typ.			
	• Adjacent channel selectivity	Wide	More than 80 dB (85 dB typ.)		
		Middle	–	More than 78 dB (83 dB typ.)	
		Narrow	More than 70 dB (75 dB typ.)		
	• Spurious response	More than 85 dB (90 dB typ.)			
	• Intermodulation	More than 75 dB (77 dB typ.)		More than 65 dB (70 dB typ.)	
	• Hum and noise (without CCITT filter)	Wide	More than 45 dB (50 dB typ.)		
Narrow		More than 40 dB (45 dB typ.)			
• Audio output power	4 W typ. at 10% distortion with a 4 Ω load				
• Audio output impedance	4 Ω				

*; Available when an optional digital unit (UT-119H/UT-126H) is installed.

Measurements made in accordance with EIA-152-C/204D, TIA-603 ([USA], [EXP]) or EN 300 086 ([EUR]).

All stated specifications are subject to change without notice or obligation.

SECTION 6 ADJUSTMENT PROCEDURES

6-1 PREPARATION

When adjusting IC-F6060 series, CS-F6060 CLONING SOFTWARE, CS-F5060 ADJ ADJUSTMENT SOFTWARE (Rev. 1.0 or later), OPC-1122/U/ JIG CABLE and the following test equipments are required.

EQUIPMENT	GRADE AND RANGE	EQUIPMENT	GRADE AND RANGE
DC power supply	Output voltage : 13.6 V DC [USA],[EXP],[CHN] 13.2 V DC [EUR]	Attenuator	Power attenuation : 50 or 60 dB
	Current capacity : More than 20 A		Capacity : 50 W [USA],[CHN] 30 W [EUR],[EXP]
modulation analyzer	Frequency range : DC-600 MHz Measuring range : 0 to ±10 kHz	External speaker	Input impedance : 4 Ω Capacity : 5 W or more
Frequency counter	Frequency range : 0.1-600 MHz Frequency accuracy : ±1 ppm or better Sensitivity : 100 mV or better	Standard signal generator (SSG)	Frequency range : 0.1-600 MHz Output level : 0.1 μV to 32 mV (-127 to -17 dBm)
RF power meter	Measuring range : 0.1-50 W [USA],[CHN] 0.1-30 W [EUR],[EXP]	Oscilloscope	Frequency rang : DC-20 MHz Measuring range : 0.01-20 V
	Frequency range : 100-800 MHz Impedance : 50 Ω SWR : Better than 1.2 : 1	Digital voltmeter	Input impedance : 50 kΩ Measuring range : 0.1-10V

■ SYSTEM REQUIREMENTS (for the ADJUSTMENT SOFTWARE)

- Microsoft® Windows® 98/98SE/Me/2000/XP
- RS-232C serial port (D-sub 9 pin) or USB port

■ ADJUSTMENT SOFTWARE INSTALLATION

- ① Quit all applications when Windows is running.
- ② Insert the CD into the appropriate CD drive.
- ③ Double-click the "Setup.exe" contained in the 'CS-F5060 ADJ' folder in the CD drive.
- ④ The "Welcome to the InstallShield Wizard for CS-F5060 ADJ" will appear. Click [Next>].
- ⑤ The "Choose Destination Location" will appear. Then click [Next>] to install the software to the destination folder. (e.g. C:\Program Files\lcom\CS-F5060 ADJ)
- ⑥ After the installation is completed, the "InstallShield Wizard Complete" will appear. Then click [Finish].
- ⑦ Eject the CD.
- ⑧ Program group 'CS-F5060 ADJ' appears in the 'Programs' folder of the start menu, and 'CS-F5060 ADJ' icon appears on the desk top screen.

■ STARTING SOFTWARE ADJUSTMENT

- ① Connect the transceiver and PC with OPC-1122/U JIG CABLE.
- ② Turn the transceiver power ON.
- ③ Boot up Windows, and click the program group 'CS-F5060 ADJ' in the 'Programs' folder of the [Start] menu, then CS-F5060 ADJ's window appears.
- ④ Click 'Connect' on the CS-F5060 ADJ's window, then the window shows transceiver's condition and adjustment items as below.
- ⑤ Set or modify adjustment data as specified.

Microsoft and Windows are registered trademarks of Microsoft Corporation in the U.S.A. and other countries.

■ BEFORE STARTING SOFTWARE ADJUSTMENT

Clone the adjustment frequencies and settings into the transceiver, and set the configuration using the CS-F6060 CLONING SOFTWARE before starting the software adjustment. Otherwise, the software adjustment can not be started.

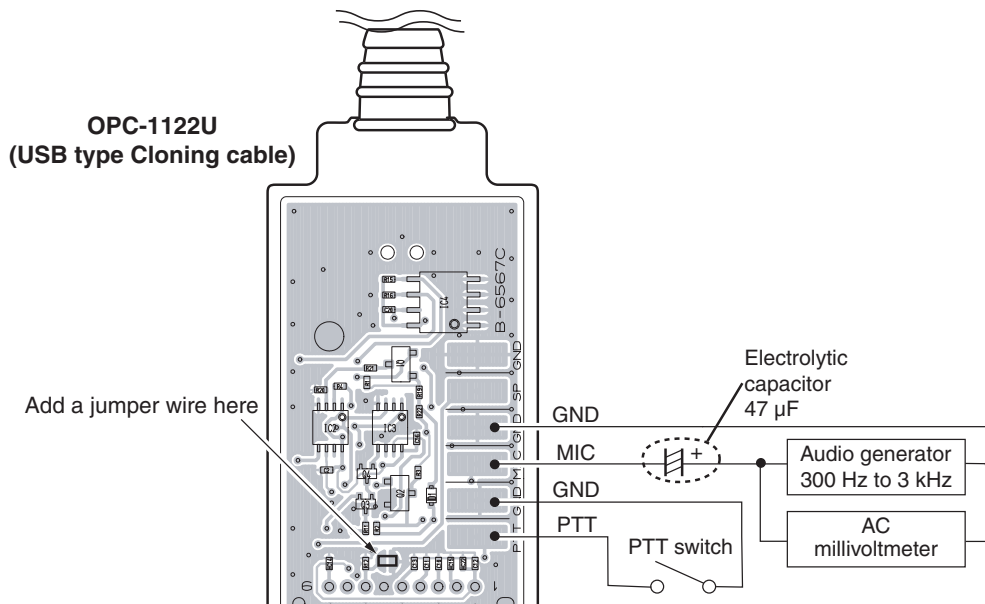
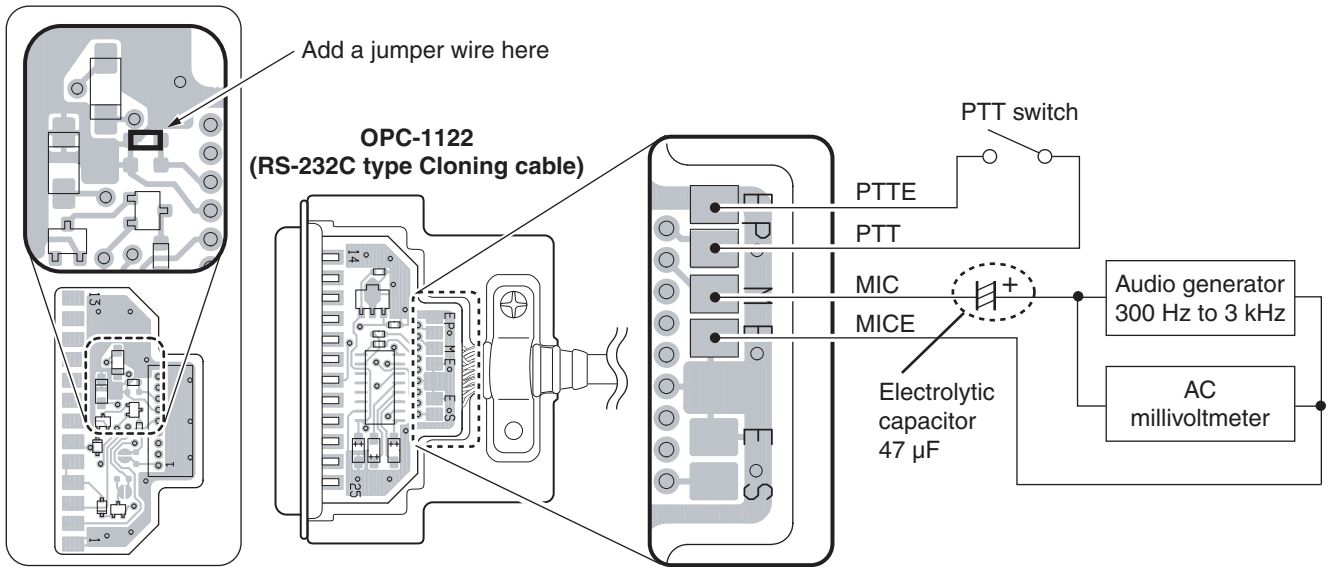
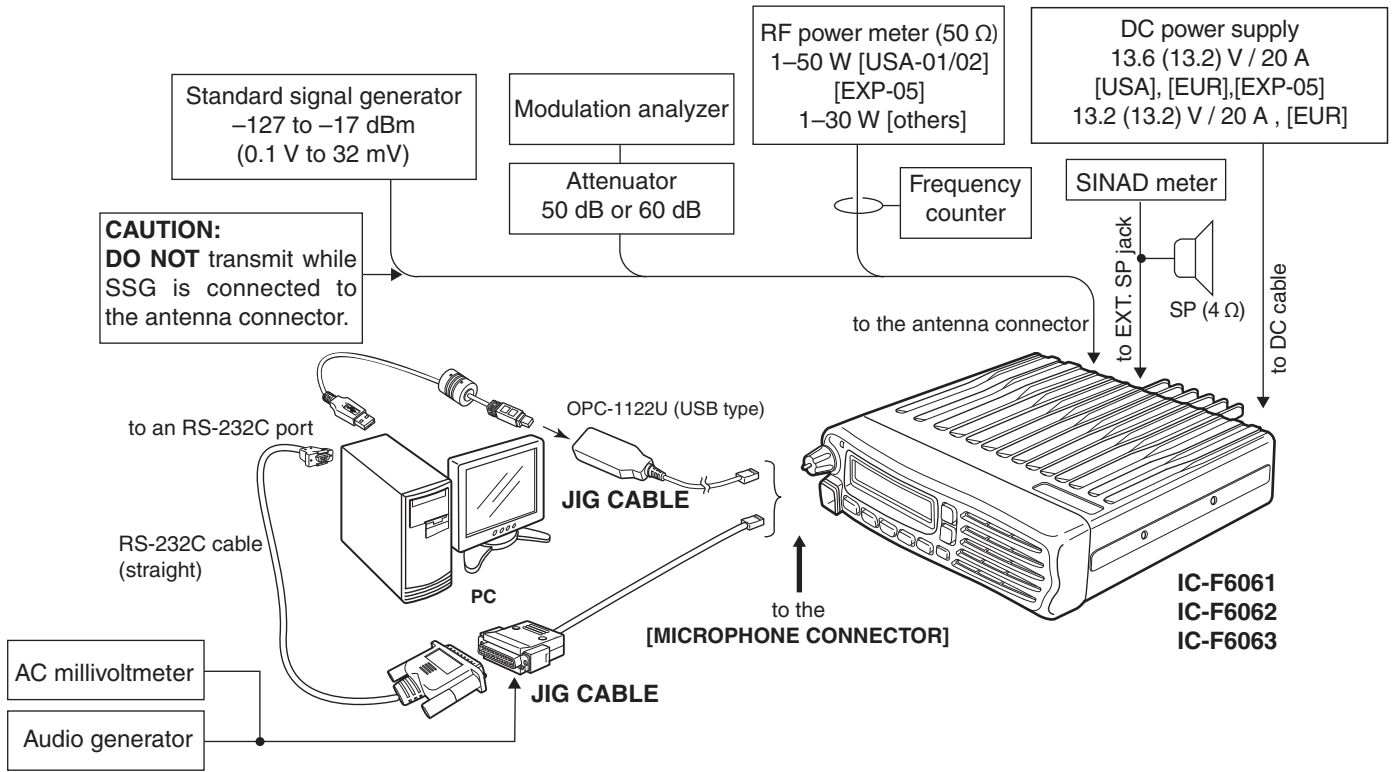
CAUTION! BACK UP the originally programmed memory data in the transceiver before programming the adjustment frequencies. When program the adjustment frequencies into the transceiver, the transceiver's memory data will be overwritten and lose original memory data at the same time.

• ADJUSTMENT FREQUENCY LIST

CH	FREQUENCY (MHz)			SETTING	CH	FREQUENCY (MHz)			SETTING
	(350MHz) [‡]	(Low) [‡]	(High) [‡]			(350MHz) [‡]	(Low) [‡]	(High) [‡]	
1	350	400.000	450.000	• TX power : Low1 • Mode : Narrow	9	400	470.000	520.000	• TX power : Low1 • Mode : Wide
2	375	435.000	485.000	• TX power : Low1 • Mode : Narrow	10	375	435.000	485.000	• TX power : Low1 • Mode : Middle ([EUR] only)
3	374.95	434.950	484.950	• TX power : Low1 • Mode : Narrow	11	350	400.000	450.000	• TX power : Low1 • Mode : Middle ([EUR] only)
4	400	470.000	520.000	• TX power : Low1 • Mode : Narrow	12	400	470.000	520.000	• TX power : Low1 • Mode : Middle ([EUR] only)
5	375	435.000	485.000	• TX power : High • Mode : Narrow	13	375	435.000	485.000	• TX power : Low1 • Mode : Digital
6	375	435.000	485.000	• TX power : Low2 • Mode : Narrow	14	350	400.000	450.000	• TX power : Low1 • Mode : Digital
7	375	435.000	485.000	• TX power : Low1 • Mode : Wide	15	400	470.000	520.000	• TX power : Low1 • Mode : Digital
8	350	400.000	450.000	• TX power : Low1 • Mode : Wide	16	375	435.000	485.000	• TX power : Low1 • Mode : Wide • CTCSS : 151.4 Hz

[‡]; (Low)=[USA-01], [USA-03], [USA-55], [USA-56], [EXP-01], [EXP-03], [EUR-01], [EUR-03] (High)=[USA-02], [USA-04], [EXP-02], [EXP04]
[‡]; (350MHz)=[EXP-05]

• CONNECTION

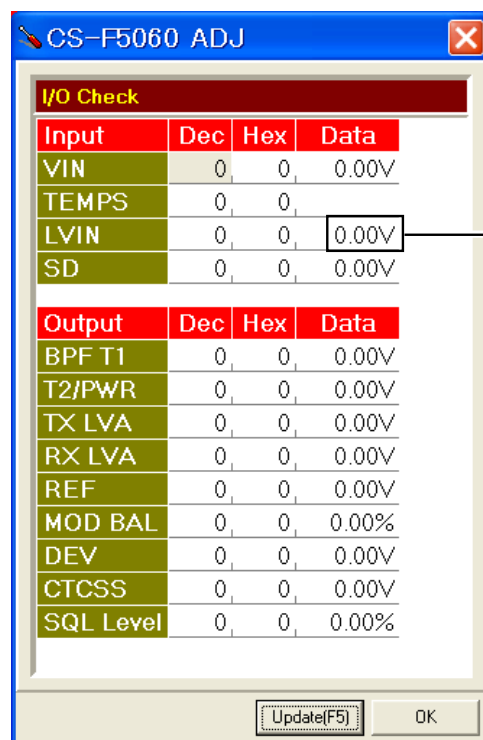


6-2 FREQUENCY ADJUSTMENT

Select an adjustment item using [↑] / [↓] keys, then set to the specified value using [←] / [→] keys on the connected PC's keyboard.

ADJUSTMENT	ADJUSTMENT CONDITION	UNIT	OPERATION	VALUE	
PLL LOCK VOLTAGE [RX LVA1]	1	Set the preset value of [LV (RX1)] to "36 [0.70 V] (Low)"/"31 [0.60 V] (High)" and [LV RX2] to "31 [0.60 V]", and [LV TX] to "39 [0.76 V]" on the PC screen.			
	2	<ul style="list-style-type: none"> Channel : CH 1 Preset : 36 [0.70 V] (Low) 31 [0.60 V] (High) 36 [0.70 V] (350MHz) Receiving 	PC screen	Click [Reload (F5)] button, then check the "LVIN" item on the CS-F5060 ADJ's screen as below.	0.70 V (Low) 0.60 V (High) 0.70V (350MHz)
	[RX LVA2]	<ul style="list-style-type: none"> Channel : CH 2 Preset : 31 [0.60 V] 36 [0.70 V](350MHz) Receiving 			0.60 V 0.70V (350MHz)
[TX LVA]	<ul style="list-style-type: none"> Channel : CH 1 Preset : 39 [0.76 V] 36 [0.70 V](350MHz) Transmitting 	0.76 V 0.70V (350MHz)			
<p>CONVENIENT: The "PLL LOCK VOLTAGE" can be adjusted automatically. 1: Set the Lock voltage preset ([LV RX1], [LV RX2], [LV TX]). 2: Push the [ENTER] key on the connected PC's keyboard.</p>					
PLL LOCK VOLATGE (Verify)	1	<ul style="list-style-type: none"> Channel : CH 3 Receiving 	PC screen	Click [Reload (F5)] button, then check the "LVIN" item on the CS-F5060 ADJ's screen.	3.2-4.2 V (Verify) (Low)
	2	<ul style="list-style-type: none"> Channel : CH 4 Receiving 			3.0-4.2 V (Verify) (High)
	3	<ul style="list-style-type: none"> Channel : CH 4 Transmitting 			3.2-4.2 V (Verify) (350MHz)
REFERENCE FREQUENCY [REF]	1	<ul style="list-style-type: none"> Channel : CH 9 Connect an RF power meter to the antenna connector. Transmitting 	Top panel	Loosely couple a frequency counter to the antenna connector.	470.000 MHz (Low) [‡] 520.000 MHz (High) [‡] 400.000 MHz (350MHz) [‡]

‡; (Low)=[USA-01], [USA-03], [EXP-01], [EXP-03], [EUR-01], [EUR-03] (High)=[USA-02], [USA-04], [EXP-02], [EXP04]
 ‡; (350MHz)=[EXP-05]

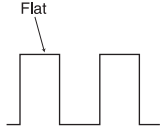


PLL LOCK VOLTAGE will be appeared here

NOTE: The above screen is an example only.
 Each item's voltage will appear when pushing [Update] button.

6-3 TRANSMIT ADJUSTMENT

Select an adjustment item using [↑] / [↓] keys, then set to the specified value using [←] / [→] keys on the connected PC's keyboard.

ADJUSTMENT	ADJUSTMENT CONDITION	UNIT	OPERATION	VALUE	
OUTPUT POWER [Power (Hi)]	1 • Channel : CH 5 • Transmitting	Rear panel	Connect an RF power meter to the antenna connector.	45 W [USA] [CHN] [EXP-05] 25 W [others]	
[Power (L2)]	2 • Channel : CH 6 • Transmitting			25 W [USA] [CHN] [EXP-05] 10 W [others]	
[Power (L1)]	3 • Channel : CH 2 • Transmitting			4.5 W [USA] [CHN] [EXP-05] 2.5 W [others]	
MODULATION BALANCE [BAL]	1 • [MOD N] : 80 2 • Channel : CH 2 • No audio signals applied to the JIG cable. • Set a modulation analyzer same as; HPF : OFF LPF : 20 kHz De-emphasis : OFF Detector : (P-P)/2 • Push [P0] while transmitting	Rear panel	Connect the modulation analyzer with an oscilloscope to the antenna connector through an attenuator.	Set to square wave 	
FM DEVIATION (NARROW) [MOD N C]	1 • Channel : CH 2 • Connect an audio generator to the JIG cable and set as; Frequency : 1.0 kHz Level : 40 mV rms • Set the modulation analyzer to the same-condition as "MODULATION BALANCE." • Transmitting	Rear panel		Connect the modulation analyzer to the antenna connector through an attenuator.	±2.05 to ±2.15 kHz ±1.95 to ±2.05 kHz (350MHz)
(NARROW) [MOD N L]	2 • Channel : CH 1 • Transmitting		±4.05 to ±4.15 kHz ±3.95 to ±4.05 kHz (350MHz)		
(NARROW) [MOD N H]	3 • Channel : CH 4 • Transmitting				
(WIDE) [MOD W C]	4 • Channel : CH 7 • Transmitting				
(WIDE) [MOD W L]	5 • Channel : CH 8 • Transmitting				
(WIDE) [MOD W H]	6 • Channel : CH 9 • Transmitting				
(MIDDLE)* [MOD M C]	7 • Channel : CH 10 • Transmitting				±3.15 to ±3.25 kHz
(MIDDLE)* [MOD M L]	8 • Channel : CH 11 • Transmitting				
(MIDDLE)* [MOD M H]	9 • Channel : CH 12 • Transmitting				
DIGITAL DAVIATION [MOD D C]	1 Set the [Digital Mode] to "7." 2 • Channel : CH 13 • Attach the UT-119H or UT-126H to J2. (See page 4-1 for installation.)	Rear panel	Connect the modulation analyzer to the antenna connector through an attenuator.	±1.35 to ±1.39 kHz	
[MOD D L]	3 • Channel : CH 14				
[MOD D H]	4 • Channel : CH 15				
CTCSS/DTCS DEVIATION [CTCS/DTCS]	1 • Channel : CH 16 • No audio signals applied to the JIG cable. • Set the modulation analyzer to the same-condition as "MODULATION BALANCE." • Transmitting	Rear panel	Connect a modulation analyzer to the antenna connector through an attenuator.	±0.68 to ±0.72 kHz	
2TONE, 5TONE, DTMF [S.Tone]	1 • Channel : CH 2 • Push [P3] while transmitting	Rear panel	Connect a modulation analyzer to the antenna connector through an attenuator.	±1.50 kHz	

*; [EUR] only. †; (Low)=[USA-01], [USA-03], [EXP-01], [EXP-03], [EUR-01], [EUR-03] (High)=[USA-02], [USA-04], [EXP-02], [EXP-04]

‡; (350MHz)=[EXP-05]

6-4 RECEIVE ADJUSTMENT

Select an adjustment item using [↑] / [↓] keys, then set to the specified value using [←] / [→] keys on the connected PC's keyboard.

ADJUSTMENT	ADJUSTMENT CONDITION	UNIT	LOCATION	VALUE
RECEIVE SENSITIVITY [BPF (T1)] [BPF (T2)]	<p>NOTE: "RECEIVE SENSITIVITY" must be adjusted before "S-METER." Otherwise, "S-METER" will not be adjusted properly.</p>			
	<p>1</p> <ul style="list-style-type: none"> Channel : CH 8 Connect the SSG to the antenna connector and set as; <ul style="list-style-type: none"> Frequency : 400.00 MHz (Low)[‡] 450.00 MHz (High)[‡] Level : +20 dBμ[†] (-87 dBm) Modulation : 1 kHz Deviation : ±3.5 kHz Receiving 	[MIC/SP] jack	Connect the SINAD meter with an 4 Ω load to the JIG cable.	Minimum distortion level
	<p>CONVENIENT: The "RECEIVE SENSITIVITY" can be adjusted automatically. 1: Put the cursor on "BPF C ALL" and push [ENTER] key. 2: The connected PC tunes BPF's to peak levels automatically.</p>			
S-METER (S3 level) [RSSI S3 level]	<p>1</p> <ul style="list-style-type: none"> Channel : CH 8 Connect the SSG to the antenna connector and set as; <ul style="list-style-type: none"> Frequency : 400.00 MHz (Low)[‡] 450.00 MHz (High)[‡] Level : +23 dBμ[†] (-84 dBm) Modulation : 1 kHz Deviation : ±3.5 kHz Receiving 		Push the [ENTER] key on the connected PC's keyboard to set "S3" level.	
[RSSI S1 level] (S1 level)	<p>2</p> <ul style="list-style-type: none"> Set the SSG as; <ul style="list-style-type: none"> Level : -7 dBμ[†] (-114 dBm) Receiving 		Push the [ENTER] key again to set "S1" level.	
SQUELCH [SQL]	<p>1</p> <ul style="list-style-type: none"> Channel : CH 3 Set the Squelch Level "2." Close the squelch by adjusting the value of [SQL] item on the CS-F6060 ADJ's screen. Connect the SSG to the antenna connector and set as; <ul style="list-style-type: none"> Frequency : 400.00 MHz (Low)[‡] 450.00 MHz (High)[‡] Level : -14 dBμ[†] (-121 dBm) Modulation : 1 kHz Deviation : ±3.5 kHz Receiving 	External speaker	Connect an 4 Ω speaker to the JIG cable.	Close the squelch by increase the value of [SQL]. Set the [SQL] to the value that the audio signals just appears.

[†]; The output level of the standard signal generator (SSG) is indicated as the SSG's open circuit.

[‡]; (Low)=[USA-01], [USA-03], [EXP-01], [EXP-03], [EUR-01], [EUR-03] (High)=[USA-02], [USA-04], [EXP-02], [EXP-04]

[‡]; (350MHz)=[EXP-05]

PARTS LIST

[VERSION LIST]

MODEL	VERSION	SYMBOL
IC-F6061	USA-01	[A]
	USA-02	[B]
	USA-03	[C]
	USA-04	[D]
	USA-55	[E]
	USA-56	[F]
IC-F6061D	USA-01	[G]
	USA-02	[H]
	CHN-01	[I]
IC-F6062	EUR-01	[J]
	EUR-03	[K]
IC-F6062D	EUR-03	[L]
IC-F6063	EXP-01	[M]
	EXP-02	[N]
	EXP-03	[O]
	EXP-04	[P]
IC-F6061-L	CHN-01	[Q]
IC-F6061D-L	EXP-05	[R]

[MAIN UNIT] (For IC-F6060 series)

REF NO.	PARTS NO.	DESCRIPTION	M.	H/V LOCATION
IC1	1110005340	S.IC NJM12902V-TE1-#ZZZB	T	82.3/12.9
IC2	1110006221	S.IC AK2346P-E2/P	B	44.7/11.7
IC3	1140013200	S.IC CD4053BPWR	B	58.7/9.3
IC4	1130010100	S.IC LMX2352TMX/NOPB	T	83.3/46
IC5	1110003491	S.IC TA31136FNG(D,EL)	T	28/13.9
IC6	1190001350	S.IC M62364FP 600D	B	84.9/12.9
IC7	1110005340	S.IC NJM12902V-TE1-#ZZZB	T	107.3/43
IC8	1140013200	S.IC CD4053BPWR	B	58.7/16.1
IC9	1130012960	S.IC BU8872FS-E2	B	133.1/21.3
IC10	1190002051	S.IC SPM5001-TL-E	B	33.8/36.9
IC12	1190001340	S.IC M62334FP 600C	B	9.1/25.7
IC13	1110005771	S.IC S-80942CNMC-G9CT2G	B	126/44.8
IC14	1140014550	S.IC HD64F2506RFC26DV(EMPTY)	B	111.8/35.7
IC15	1150002211	IC RA55H4047M-121	[A]	
	1150002092	IC RA30H4047M-121	[M]	
	1150002092	IC RA30H4047M-121	[J]	
	1150002221	IC RA55H4452M-121	[B]	
	1150002032	IC RA30H4452M-121	[N]	
IC16	1140012950	S.IC 24LC512T-I/SM	B	133.3/29
IC17	1110002751	S.IC TA75S01F(TE85R,F)	B	55.8/66.7
IC18	1180000970	S.IC AN78L05M-(E1)	B	113/65.3
IC19	1120002510	S.IC DS14C232TM S	T	104.7/69
IC20	1180001251	S.IC TA7808F(TE16L,Q)	B	121.5/65.8
IC21	1110003091	IC LA4425A-E		
IC22	1110002751	S.IC TA75S01F(TE85R,F)	B	135.5/54.4
IC23	1130006221	S.IC TC4W53FU(TE12L,F)	B	109.6/12.9
Q1	1590003231	S.TRA UNR9113G0L	B	16.5/6.1
Q3	1530002851	S.TRA 2SC4116-BL(TE85R,F)	B	36.5/15.5
Q4	1590001650	S.TRA XP4601(TX)	B	92.8/12.4
Q5	1560000541	S.FET 2SK880-Y(T5RICOM,F)	B	81.3/41
Q6	1530002851	S.TRA 2SC4116-BL(TE85R,F)	B	50.6/28.4
Q7	1560000541	S.FET 2SK880-Y(T5RICOM,F)	B	82.4/30.6
Q8	1530002851	S.TRA 2SC4116-BL(TE85R,F)	B	79.3/37.8
Q9	1530002851	S.TRA 2SC4116-BL(TE85R,F)	B	82.1/35.4
Q10	1560001360	S.FET 2SK3019 TL	B	76.5/45.2
Q12	1530002601	S.TRA 2SC4215-O(TE85R,F)	T	26.8/19.2
Q13	1530002851	S.TRA 2SC4116-BL(TE85R,F)	B	31.8/9.9
Q16	1590003291	S.TRA UNR9213G0L	T	113.1/46.6
Q17	1530002920	S.TRA 2SC4226-T1 R25	T	60.7/41.9
Q18	1530002920	S.TRA 2SC4226-T1 R25	T	60.7/35.4
Q19	1530002920	S.TRA 2SC4226-T1 R25	T	60.7/28.9
Q20	1590003231	S.TRA UNR9113G0L	B	34.1/24.9
Q22	1530003311	S.TRA 2SC5107-O(TE85R,F)	T	56.7/33.6
Q23	1590001400	S.TRA XP1214(TX)	B	57.6/40.5
Q24	1590003291	S.TRA UNR9213G0L	B	55/40.5
Q25	1530004110	S.TRA MT3S37T(TE85L,F)	T	55.2/36.9
Q26	1590001400	S.TRA XP1214(TX)	B	56.6/33.5
Q27	1590003231	S.TRA UNR9113G0L	T	126.2/48.7
Q28	1590003291	S.TRA UNR9213G0L	B	123/46.1
Q29	1530003311	S.TRA 2SC5107-O(TE85R,F)	T	50.8/35.5
Q30	1530003311	S.TRA 2SC5107-O(TE85R,F)	B	64.3/62.9
Q31	1580000731	S.FET 3SK293(TE85L,F)	B	9.5/38.8
Q32	1560000841	S.FET 2SK1829(TE85R,F)	T	9.8/40.4
Q33	1530002851	S.TRA 2SC4116-BL(TE85R,F)	[A]	
	1530002851	S.TRA 2SC4116-BL(TE85R,F)	[B]	
Q34	1590003291	S.TRA UNR9213G0L	T	83/67.4
Q35	1520000460	S.TRA 2SB1132 T100 R	T	100.1/57.9
Q36	1590001190	S.TRA XP6501-(TX).AB	T	104.3/55.8
Q37	1540000550	S.TRA 2SD1664 T100Q	T	75.5/63.6
Q38	1510000920	S.TRA 2SA1577 T106 Q	T	64.9/54.1
Q39	1590003291	S.TRA UNR9213G0L	T	68.5/54.8
Q40	1590003291	S.TRA UNR9213G0L	T	103/52.9
Q41	1590001451	S.FET 2SJ144-GR (TE85R,F)	B	114.7/85.7
Q42	1590003291	S.TRA UNR9213G0L	B	131.7/43.6
Q43	1590000990	S.TRA DTC363EK T146	B	135.7/49
Q44	1590003291	S.TRA UNR9213G0L	T	108.9/20.3
Q45	1590003291	S.TRA UNR9213G0L	B	133.3/58.9
Q46	1590003291	S.TRA UNR9213G0L	T	119.2/85.6
Q47	1550000100	S.FET 2SJ377 (TE16L1,NQ)	B	131.3/71.5
Q48	1590003291	S.TRA UNR9213G0L	B	124.9/77.8
Q49	1530002851	S.TRA 2SC4116-BL(TE85R,F)	B	138.7/37.1
Q50	1530002601	S.TRA 2SC4215-O(TE85R,F)	T	40.2/39
Q51	1590003321	S.FET TPC6103(TE85L,F)	B	133.6/63.4
Q52	1590003291	S.TRA UNR9213G0L	B	128.2/61.1
Q53	1530000372	S.TRA 2SC3356-T1B R (R24)	B	68.4/68
Q54	1590003291	S.TRA UNR9213G0L	B	51.9/67.1
Q55	1560001360	S.FET 2SK3019 TL	T	74.1/20.3
Q56	1560001360	S.FET 2SK3019 TL	T	24.6/8
Q57	1590003291	S.TRA UNR9213G0L	T	111.1/13.4
D1	1750001070	S.DIO DAN235ETL	T	8.8/14.9
D2	1750001070	S.DIO DAN235ETL	T	22.5/8.5
D4	1790001261	S.DIO MA2S077G0L	T	52.5/43.6
D5	1790001261	S.DIO MA2S077G0L	T	52.5/41
D6	1750001070	S.DIO DAN235ETL	T	29.2/20.9
D7	1160000140	S.DIO DAP222 TL	T	59/13.8
D8	1750000711	S.VAR HVC350BTRF-E	T	68.2/42.7
D9	1750001150	S.VAR HVC383BTRF-E	T	70.5/44.7
D10	1750000711	S.VAR HVC350BTRF-E	T	68.2/36.2
D11	1750001150	S.VAR HVC383BTRF-E	T	70.5/38.2
D12	1750000711	S.VAR HVC350BTRF-E	T	68.2/29.7
D13	1750001150	S.VAR HVC383BTRF-E	T	70.5/31.7
D14	1720000570	S.VAR MA368(TX)	T	65.8/33.3
D15	1750000711	S.VAR HVC350BTRF-E	B	5.5/43.5
D16	1750000711	S.VAR HVC350BTRF-E	B	6.8/43.5

M.=Mounted side (T: Mounted on the Top side, B: Mounted on the Bottom side)
S.=Surface mount

[MAIN UNIT] (For IC-F6060 series)

REF NO.	PARTS NO.	DESCRIPTION	M.	H/V LOCATION
D17	1750000711	S.VAR HVC350BTRF-E	B	6.8/50.1
D18	1750000711	S.VAR HVC350BTRF-E	B	5.5/50.1
D19	1160000140	S.DIO DAP222 TL	B	120.3/17.6
D21	1750001070	S.DIO DAN235ETL	T	31.9/37.5
D22	1750000520	S.DIO DAN222TL	T	125.4/51
D23	1790001261	S.DIO MA25077G0L	T	125/38.9
D24	1750000581	S.DIO 1SV307(TPH3,F)	B	50.8/47.1
D25	1790001261	S.DIO MA25077G0L	B	48.3/46
D26	1750000711	S.VAR HVC350BTRF-E	B	14.1/36.1
D27	1750000711	S.VAR HVC350BTRF-E	B	10.7/36.1
D30	1750000711	S.VAR HVC350BTRF-E	B	18.3/36.2
D31	1790001251	S.DIO MA251110GL	T	6.2/42.2
D35	1790001261	S.DIO MA25077G0L	B	20/50.9
D36	1790001241	S.DIO MA257280GL	B	11.9/50.8
D37	1750000370	S.DIO DA221 TL	T	75.2/68
D38	1750000511	S.DIO UX9401F-STD/TR <INT>	[M] T	31.2/66.7
	1750000511	S.DIO UX9401F-STD/TR <INT>	[J]	
	1750000511	S.DIO UX9401F-STD/TR <INT>	[N]	
D39	1710001061	DIO L407CDB	[A]	
	1710001061	DIO L407CDB	[B]	
D42	1750001360	S.DIO L709CER (9401)	T	26.5/58
D45	1750000520	S.DIO DAN222TL	T	91.8/57.5
D46	1750000520	S.DIO DAN222TL	T	89.6/57.5
D47	1790001211	S.DIO 1SS375-TL-E	B	37.7/61.7
D48	1750000520	S.DIO DAN222TL	B	95.5/55.5
D49	1790000661	S.DIO MA2J7280GL	B	8.9/57.1
D50	1750000370	S.DIO DA221 TL	B	98.8/66.5
D51	1790000661	S.DIO MA2J7280GL	B	5.2/79.3
D52	1750000520	S.DIO DAN222TL	B	132.6/40.8
D53	1790001251	S.DIO MA251110GL	B	133.3/47.3
D55	1750000370	S.DIO DA221 TL	B	98.8/63
D56	1750000370	S.DIO DA221 TL	B	96.7/63
D57	1750000370	S.DIO DA221 TL	B	96.7/66.5
D58	1750000520	S.DIO DAN222TL	B	101.2/83.1
D59	1750000520	S.DIO DAN222TL	B	101.2/81
D62	1790000700	DIO DSA3A1	T	
D63	1750000520	S.DIO DAN222TL	B	112.3/82.2
D65	1750000520	S.DIO DAN222TL	B	129.7/58.9
D66	1790001621	S.DIO 1SV308(TPL3,F)	T	29.5/36.7
D67	1790001621	S.DIO 1SV308(TPL3,F)	T	34.3/36.7
D68	1790001621	S.DIO 1SV308(TPL3,F)	T	28.7/23.3
D69	1790001621	S.DIO 1SV308(TPL3,F)	T	30/23.3
D70	1730002411	S.ZEN MAZ8200GHL	T	120/83.6
D71	1750000520	S.DIO DAN222TL	B	94.6/62.3
D72	1750000520	S.DIO DAN222TL	B	94.8/59.1
F11	2020002500	CER LT450GW <JJE>		
F12	2020002510	CER LTW450HT <JJE>		
F13	2030000500	S.MON DSF753SBF 46.35 MHz (FL-401)	T	24.7/28.5
F14	2030000150	S.MON DSF753SB 46.350 MHz (FL-335)	T	35.6/28.4
F15	2040001440	S.LC NFE31PT152Z1E9L (NFM60R20T152)	B	94.5/77
F16	2040001440	S.LC NFE31PT152Z1E9L (NFM60R20T152)	B	94.5/73.7
F17	2040001440	S.LC NFE31PT152Z1E9L (NFM60R20T152)	[A] B	94.5/70.4
	2040001440	S.LC NFE31PT152Z1E9L (NFM60R20T152)	[B]	
X1	6050012380	S.XTA CR-826 DSA535SD 15.3 MHz	T	86.1/34.6
X2	6050011730	S.XTA CR-765 SMD-49TA 3.6864 MHz <KDS>	T	48.6/12
X3	6070000300	S.DIS JTBM450CX24 <JJE>	T	37.1/10.3
X4	6050012320	S.XTA CR-818 SMD-49 4.194304 MHz <KDS>	T	139.1/21.9
X5	6050011720	S.XTA CR-764 SMD-49TB 19.6608 MHz <KDS>	T	120.4/44.4
L1	6200004660	S.COI MLF1608A 1R8K-T	B	80.7/52.1
L2	6200003540	S.COI MLF1608D R22K-T	B	34.4/14.7
L3	6200004480	S.COI MLF1608D R82K-T	B	29.6/16.2
L4	6200005671	S.COI ELJRE 12NGFA	T	54.4/43.9
L5	6200004741	S.COI NLV25T-1R2J	T	72.9/43.5
L6	6200004741	S.COI NLV25T-1R2J	T	70.4/41
L7	6200004741	S.COI NLV25T-1R2J	T	72.9/37
L8	6200004741	S.COI NLV25T-1R2J	T	72.9/30.5
L9	6200004741	S.COI NLV25T-1R2J	T	70.4/28
L10	6200012970	S.COI 0.30-0.91-4TR 8.6N <COMO>	[A] T	67.1/44.7
	6200012970	S.COI 0.30-0.91-4TR 8.6N <COMO>	[M]	
	6200012970	S.COI 0.30-0.91-4TR 8.6N <COMO>	[J]	
L12	6200012970	S.COI 0.30-0.91-4TR 8.6N <COMO>	[A] T	67.1/38.2
	6200012970	S.COI 0.30-0.91-4TR 8.6N <COMO>	[M]	
	6200012970	S.COI 0.30-0.91-4TR 8.6N <COMO>	[J]	
L13	6200004741	S.COI NLV25T-1R2J	T	70.4/34.5
L15	6200012390	S.COI 0.30-0.92-3TR 5.8N <COMO>	T	67.1/31.4
L16	6200010030	S.COI C2012C-15NG-A	[A] B	21.1/35.6
	6200010030	S.COI C2012C-15NG-A	[M]	
	6200010030	S.COI C2012C-15NG-A	[J]	
	6200010020	S.COI C2012C-12NG-A	[B]	
	6200010020	S.COI C2012C-12NG-A	[N]	
L17	6200004741	S.COI NLV25T-1R2J	[A] T	57.7/30
	6200004741	S.COI NLV25T-1R2J	[M]	
	6200004741	S.COI NLV25T-1R2J	[J]	
	6200002851	S.COI NLV25T-R82J	[B]	
	6200002851	S.COI NLV25T-R82J	[N]	
L18	6130003000	S.COI #617DB-1714=P3	B	39/36.2
L19	6130003000	S.COI #617DB-1714=P3	B	34.5/42.6
L20	6200005721	S.COI ELJRE 18NGFA	T	54.2/32.6
L21	6200005671	S.COI ELJRE 12NGFA	T	54.4/39.1

[MAIN UNIT] (For IC-F6060 series)

REF NO.	PARTS NO.	DESCRIPTION	M.	H/V LOCATION
L22	6200005711	S.COI ELJRE 27NGFA	[A] B	40.2/46
	6200005711	S.COI ELJRE 27NGFA	[M]	
	6200005711	S.COI ELJRE 27NGFA	[J]	
	6200005691	S.COI ELJRE 18NGFA	[B]	
	6200005691	S.COI ELJRE 18NGFA	[N]	
L23	6200005711	S.COI ELJRE 27NGFA	B	42.9/46
	6200005711	S.COI ELJRE 27NGFA	[M]	
	6200005711	S.COI ELJRE 27NGFA	[J]	
	6200005691	S.COI ELJRE 18NGFA	[B]	
	6200005691	S.COI ELJRE 18NGFA	[N]	
L24	6130003000	S.COI #617DB-1714=P3	B	27/36.2
L25	6200005711	S.COI ELJRE 27NGFA	T	50/38.4
L26	6200010030	S.COI C2012C-15NG-A	B	15.9/35.6
	6200010030	S.COI C2012C-15NG-A	[M]	
	6200010030	S.COI C2012C-15NG-A	[J]	
	6200010020	S.COI C2012C-12NG-A	[B]	
	6200010020	S.COI C2012C-12NG-A	[N]	
L27	6200005711	S.COI ELJRE 27NGFA	B	65.2/65.4
L28	6200010030	S.COI C2012C-15NG-A	[A] B	7/36.7
	6200010030	S.COI C2012C-15NG-A	[M]	
	6200010020	S.COI C2012C-12NG-A	[B]	
	6200010020	S.COI C2012C-12NG-A	[N]	
L29	6200005641	S.COI ELJRE 6N8ZFA	B	73.5/69
L30	6200005691	S.COI ELJRE 18NGFA	T	73.5/73.7
	6200005701	S.COI ELJRE 22NGFA	[M]	
	6200005701	S.COI ELJRE 22NGFA	[J]	
	6200005691	S.COI ELJRE 18NGFA	[B]	
	6200005691	S.COI ELJRE 18NGFA	[N]	
L31	6200010210	S.COI C2012C-22NG-A	B	9.2/44.8
	6200010210	S.COI C2012C-22NG-A	[A]	
	6200010210	S.COI C2012C-22NG-A	[M]	
	6200010210	S.COI C2012C-22NG-A	[J]	
	6200009980	S.COI C2012C-18NG-A	[B]	
	6200009980	S.COI C2012C-18NG-A	[N]	
L32	6200010210	S.COI C2012C-22NG-A	B	9.2/48.8
	6200010210	S.COI C2012C-22NG-A	[A]	
	6200010210	S.COI C2012C-22NG-A	[M]	
	6200010210	S.COI C2012C-22NG-A	[J]	
	6200009980	S.COI C2012C-18NG-A	[B]	
	6200009980	S.COI C2012C-18NG-A	[N]	
L33	6200010150	S.COI AS080340-15N	T	32.6/75.2
L34	6200010100	S.COI C2012C-33NG-A	B	13.7/50
L35	6200005691	S.COI ELJRE 18NGFA	B	23/50.7
	6200005691	S.COI ELJRE 18NGFA	[M]	
	6200005691	S.COI ELJRE 18NGFA	[J]	
	6200006771	S.COI ELJRE 1N5ZFA	[B]	
	6200006771	S.COI ELJRE 1N5ZFA	[N]	
L36	6200010420	S.COI FHW1210HC 1R0JGT <JJE>	B	31.2/68
L37	6200010150	S.COI AS080340-15N	T	30.3/58.1
L38	6200010150	S.COI AS080340-15N	T	22.2/58.3
L39	6200010150	S.COI AS080340-15N	T	14.3/60.3
L40	6200010150	S.COI AS080340-15N	T	10.3/82.4
L41	6200002861	S.COI NLV25T-4R7J	T	111.3/55.1
L42	6200005011	S.COI NLV25T-100J	T	40.1/41.6
L43	6200010680	S.COI C2520C-R22G-A (0.22U)	T	41.2/35.1
L44	6200010740	S.COI C2520C-R27G-A	T	35.9/39.5
L45	6200010150	S.COI AS080340-15N	B	6.4/58.3
L46	6200005711	S.COI ELJRE 27NGFA	T	71.1/68.8
L47	6200012390	S.COI 0.30-0.92-3TR 5.8N <COMO>	[B] T	65.1/44.7
	6200012390	S.COI 0.30-0.92-3TR 5.8N <COMO>	[N]	
L48	6200012390	S.COI 0.30-0.92-3TR 5.8N <COMO>	T	65.1/38.2
	6200012390	S.COI 0.30-0.92-3TR 5.8N <COMO>	[B]	
	6200012390	S.COI 0.30-0.92-3TR 5.8N <COMO>	[N]	
R1	7030005060	S.RES ERJ2GEJ 333 X (33K)	B	38.6/6
R2	7510001730	S.THE ERTJOEP 473J	T	89.3/32.2
R3	7030005050	S.RES ERJ2GEJ 103 X (10K)	T	78.5/11.6
R4	7030005230	S.RES ERJ2GEJ 334 X (330K)	B	88.8/18.5
R5	7030005090	S.RES ERJ2GEJ 104 X (100K)	T	89.8/33.5
R6	7030005700	S.RES ERJ2GEJ 274 X (270K)	T	87.7/19.4
R7	7030005230	S.RES ERJ2GEJ 334 X (330K)	T	84.3/17.5
R8	7410001130	S.ARR EXB28V102JX	T	86.9/52.4
R9	7030007570	S.RES ERJ2GEJ 122 X (1.2K)	B	35.4/11.4
R10	7030007060	S.RES ERJ2GEJ 684X (680K)	B	35.8/13.7
R11	7030010040	S.RES ERJ2GEJ-JPW	T	9.3/12.9
R12	7030004970	S.RES ERJ2GEJ 470 X (47)	T	34.1/6.4
R13	7030007340	S.RES ERJ2GEJ 153 X (15K)	T	8.9/16.5
R14	7030007340	S.RES ERJ2GEJ 153 X (15K)	T	9.3/9.3
R15	7030005070	S.RES ERJ2GEJ 683 X (68K)	B	93.3/14.4
R17	7030007570	S.RES ERJ2GEJ 122 X (1.2K)	B	93.3/15.3
R18	7030008300	S.RES ERJ2GEJ 184 X (180K)	B	81.5/7.3
R19	7030005230	S.RES ERJ2GEJ 334 X (330K)	T	86.3/9.9
R20	7030005090	S.RES ERJ2GEJ 104 X (100K)	T	77.9/8.2
R21	7030005070	S.RES ERJ2GEJ 683 X (68K)	T	88.5/8.9
R22	7030005050	S.RES ERJ2GEJ 103 X (10K)	B	38.6/7.7
R23	7030005050	S.RES ERJ2GEJ 103 X (10K)	B	38.6/9.4
R24	7030005060	S.RES ERJ2GEJ 333 X (33K)	B	37.7/10.7
R25	7030005120	S.RES ERJ2GEJ 102 X (1K)	B	101/51.6
R26	7030005000	S.RES ERJ2GEJ 471 X (470)	B	96.7/5.7
R27	7030007300	S.RES ERJ2GEJ 332 X (3.3K)	T	53.9/5.6
R28	7030010040	S.RES ERJ2GEJ-JPW	T	59.6/5.4
R29	7030005000	S.RES ERJ2GEJ 471 X (470)	T	114.5/10.2
R30	7030005170	S.RES ERJ2GEJ 474 X (470K)	B	37.7/9.4
R31	7030007340	S.RES ERJ2GEJ 153 X (15K)	B	36.8/9
R32	7030005720	S.RES ERJ2GEJ 563 X (56K)	B	37.7/7.7
R33	7030005160	S.RES ERJ2GEJ 105 X (1M)	T	81/8.4
R34	7030005040	S.RES ERJ2GEJ 472 X (4.7K)	T	79/10
R35	7030005120	S.RES ERJ2GEJ 102 X (1K)	T	81.5/7.2
R36	7030007270	S.RES ERJ2GEJ 151 X (150)	B	25.8/14.4
R37	7030005210	S.RES ERJ2GEJ 822 X (8.2K)	B	15/7.3
R38	7030007340	S.RES ERJ2GEJ 153 X (15K)	T	23.1/6.2
R39	7030007340	S.RES ERJ2GEJ 153 X (15K)	T	22.8/10.2
R40	7030005240	S.RES ERJ2GEJ 473 X (47K)	T	25.9/10.6
R41	7030007290	S.RES ERJ2GEJ 222 X (2.2K)	T	26.4/5.3
R42	7030005090	S.RES ERJ2GEJ 104 X (100K)	B	94.7/11.7
R43	7030007300	S.RES ERJ2GEJ 332 X (3.3K)	B	95.2/10.4

M.=Mounted side (T: Mounted on the Top side, B: Mounted on the Bottom side) S.=Surface mount

[MAIN UNIT] (For IC-F6060 series)

REF NO.	PARTS NO.	DESCRIPTION	M.	H/V LOCATION
R44	7030007340	S.RES ERJ2GEJ 153 X (15K)	B	90.8/12.9
R45	7030005220	S.RES ERJ2GEJ 223 X (22K)	B	91.9/10.0
R46	7030005040	S.RES ERJ2GEJ 472 X (4.7K)	T	90.5/13.7
R47	7030005050	S.RES ERJ2GEJ 103 X (10K)	T	90.9/12.7
R48	7030005060	S.RES ERJ2GEJ 333 X (33K)	B	51.1/8.1
R49	7030005160	S.RES ERJ2GEJ 105 X (1M)	B	49.9/13.6
R50	7030005090	S.RES ERJ2GEJ 104 X (100K)	B	49.9/11.1
R51	7030005290	S.RES ERJ2GEJ 682 X (6.8K)	T	52.6/8.6
R52	7030007340	S.RES ERJ2GEJ 153 X (15K)	B	63.3/12.6
R53	7030005000	S.RES ERJ2GEJ 471 X (470)	T	84.4/38.2
R54	7030005120	S.RES ERJ2GEJ 102 X (1K)	B	81.3/43.4
R55	7030007290	S.RES ERJ2GEJ 222 X (2.2K)	B	83.5/26.5
R56	7030004980	S.RES ERJ2GEJ 101 X (100)	B	81.6/39.1
R57	7030005090	S.RES ERJ2GEJ 104 X (100K)	B	28/14.3
R58	7030004980	S.RES ERJ2GEJ 101 X (100)	T	26.4/8.1
R59	7030005240	S.RES ERJ2GEJ 473 X (47K)	T	26.8/7.2
R60	7030005000	S.RES ERJ2GEJ 471 X (470)	T	31/10.3
R61	7030005040	S.RES ERJ2GEJ 472 X (4.7K)	T	27.7/8.4
R62	7030005040	S.RES ERJ2GEJ 472 X (4.7K)	B	32.7/12.5
R63	7030005220	S.RES ERJ2GEJ 223 X (22K)	B	91.9/8.3
R64	7030005220	S.RES ERJ2GEJ 223 X (22K)	B	91.9/6.6
R65	7030005090	S.RES ERJ2GEJ 104 X (100K)	B	51.1/9
R67	7030005290	S.RES ERJ2GEJ 682 X (6.8K)	T	53.5/8.6
R68	7030007290	S.RES ERJ2GEJ 222 X (2.2K)	B	53.7/17.7
R69	7030010040	S.RES ERJ2GEJ-JPW	T	85.6/16.8
R71	7030005090	S.RES ERJ2GEJ 104 X (100K)	T	54.5/8.6
R72	7030007290	S.RES ERJ2GEJ 222 X (2.2K)	B	50.9/30.2
R73	7030004980	S.RES ERJ2GEJ 101 X (100)	B	80.3/29.7
R74	7030007570	S.RES ERJ2GEJ 122 X (1.2K)	B	83.1/27.8
R75	7030005290	S.RES ERJ2GEJ 682 X (6.8K)	B	82.6/42.4
R76	7030005050	S.RES ERJ2GEJ 103 X (10K)	B	82.4/33
R77	7030005580	S.RES ERJ2GEJ 560 X (56)	B	83.2/48
R78	7030005220	S.RES ERJ2GEJ 223 X (22K)	B	81.6/37.3
R79	7030007340	S.RES ERJ2GEJ 153 X (15K)	T	51.1/42.8
R80	7030007340	S.RES ERJ2GEJ 153 X (15K)	T	51.1/41.8
R81	7030005090	S.RES ERJ2GEJ 104 X (100K)	B	74.9/45.2
R82	7030005110	S.RES ERJ2GEJ 224 X (220K)	B	71.7/27.3
R83	7030008400	S.RES ERJ2GEJ 182 X (1.8K)	T	32.6/9.3
R84	7030007280	S.RES ERJ2GEJ 331 X (330)	T	24.6/18.3
R85	7030005110	S.RES ERJ2GEJ 224 X (220K)	T	24.2/19.3
R86	7030007300	S.RES ERJ2GEJ 332 X (3.3K)	B	33.4/8.8
R87	7030007300	S.RES ERJ2GEJ 332 X (3.3K)	T	30.5/19.6
R88	7030005120	S.RES ERJ2GEJ 102 X (1K)	B	90.7/6.3
R90	7030005000	S.RES ERJ2GEJ 471 X (470)	B	89.8/18.5
R91	7030005230	S.RES ERJ2GEJ 334 X (330K)	T	86.4/22.8
R93	7030005310	S.RES ERJ2GEJ 124 X (120K)	T	83.9/8.4
R94	7030005080	S.RES ERJ2GEJ 823 X (82K)	T	106.7/36.7
R95	7030005720	S.RES ERJ2GEJ 563 X (56K)	T	106.3/35.7
R96	7030005240	S.RES ERJ2GEJ 473 X (47K)	B	63.7/15.1
R97	7030005060	S.RES ERJ2GEJ 333 X (33K)	B	52.2/12.7
R98	7030005040	S.RES ERJ2GEJ 472 X (4.7K)	B	63.7/18.9
R99	7030005240	S.RES ERJ2GEJ 473 X (47K)	B	63.7/18
R100	7030005120	S.RES ERJ2GEJ 102 X (1K)	B	84.4/32.4
R101	7030007280	S.RES ERJ2GEJ 331 X (330)	B	80.1/32.9
R102	7030005530	S.RES ERJ2GEJ 100 X (10)	T	22.5/19.3
R103	7030005600	S.RES ERJ2GEJ 273 X (27K)	T	28.7/25.5
R104	7030007280	S.RES ERJ2GEJ 331 X (330)	T	25/22.5
R105	7030005600	S.RES ERJ2GEJ 273 X (27K)	B	32.4/24.2
R106	7030007270	S.RES ERJ2GEJ 151 X (150)	T	33.9/22.5
R108	7030005240	S.RES ERJ2GEJ 473 X (47K)	B	81/18.9
R109	7030005700	S.RES ERJ2GEJ 274 X (270K)	B	81/18.9
R110	7030005050	S.RES ERJ2GEJ 103 X (10K)	T	78.4/20.8
R111	7030005050	S.RES ERJ2GEJ 103 X (10K)	T	96.2/28.5
R112	7030005700	S.RES ERJ2GEJ 274 X (270K)	T	81.7/20.2
R113	7030005240	S.RES ERJ2GEJ 473 X (47K)	B	57.4/19.5
R114	7030005090	S.RES ERJ2GEJ 104 X (100K)	B	54.1/13.4
R115	7030005090	S.RES ERJ2GEJ 104 X (100K)	T	113.7/17.8
R116	7030005090	S.RES ERJ2GEJ 104 X (100K)	B	78.4/15.4
R117	7030005050	S.RES ERJ2GEJ 103 X (10K)	B	81.6/38.2
R118	7030005700	S.RES ERJ2GEJ 274 X (270K)	T	88.5/9.9
	7030005700	S.RES ERJ2GEJ 274 X (270K)	[A]	
	7030005700	S.RES ERJ2GEJ 274 X (270K)	[M]	
	7030005700	S.RES ERJ2GEJ 274 X (270K)	[J]	
	7030005230	S.RES ERJ2GEJ 334 X (330K)	[B]	
	7030005230	S.RES ERJ2GEJ 334 X (330K)	[N]	
R120	7030007280	S.RES ERJ2GEJ 331 X (330)	T	26.5/34.4
R122	7030005600	S.RES ERJ2GEJ 273 X (27K)	T	28.8/35.2
R123	7030005600	S.RES ERJ2GEJ 273 X (27K)	T	34.1/35.2
R125	7030007270	S.RES ERJ2GEJ 151 X (150)	T	36.4/34.4
R127	7030005050	S.RES ERJ2GEJ 103 X (10K)	B	78.2/18.7
R128	7030005240	S.RES ERJ2GEJ 473 X (47K)	T	111.5/45.4
R129	7030005040	S.RES ERJ2GEJ 472 X (4.7K)	T	111.1/44.5
R130	7030005070	S.RES ERJ2GEJ 683 X (68K)	T	103.5/41.8
R131	7030005070	S.RES ERJ2GEJ 683 X (68K)	T	103.5/43.6
R132	7030004980	S.RES ERJ2GEJ 101 X (100)	T	113.8/16.5
R133	7030005090	S.RES ERJ2GEJ 104 X (100K)	T	109.6/11.8
R134	7030005160	S.RES ERJ2GEJ 105 X (1M)	T	129.8/25.5
R135	7030005160	S.RES ERJ2GEJ 105 X (1M)	T	129.8/24.2
R136	7030005160	S.RES ERJ2GEJ 105 X (1M)	T	129.8/22.9
R138	7030005530	S.RES ERJ2GEJ 100 X (10)	T	63.8/31.3
R139	7410001140	S.ARR EXB28V104JX	T	133.8/19.8
R140	7030006020	S.RES RR0510P-682-D (6.8K)	T	62.9/44.3
R141	7030006020	S.RES RR0510P-682-D (6.8K)	T	62.9/42.6
R142	7030010040	S.RES ERJ2GEJ-JPW	T	61.6/43.9
R143	7030006020	S.RES RR0510P-682-D (6.8K)	T	62.9/37.8
R144	7030006020	S.RES RR0510P-682-D (6.8K)	T	62.9/36.1
R145	7030010040	S.RES ERJ2GEJ-JPW	T	61.6/37.4
R146	7030006020	S.RES RR0510P-682-D (6.8K)	T	62.9/31.3
R147	7030006020	S.RES RR0510P-682-D (6.8K)	T	62.9/29.6
R148	7030009320	S.RES ERJ2GEJ 4R7 X (4.7)	T	61.6/30.9
R149	7030005110	S.RES ERJ2GEJ 224 X (220K)	B	65.1/32.6
R150	7030008290	S.RES ERJ2GEJ 183 X (18K)	B	79.2/28.2

[MAIN UNIT] (For IC-F6060 series)

REF NO.	PARTS NO.	DESCRIPTION	M.	H/V LOCATION
R151	7030005220	S.RES ERJ2GEJ 223 X (22K)	[A]	B 80.5/27.8
	7030005220	S.RES ERJ2GEJ 223 X (22K)	[M]	
	7030005220	S.RES ERJ2GEJ 223 X (22K)	[J]	
	7030008290	S.RES ERJ2GEJ 183 X (18K)	[B]	
	7030008290	S.RES ERJ2GEJ 183 X (18K)	[N]	
R152	7030005090	S.RES ERJ2GEJ 104 X (100K)	B	81.8/28.2
R153	7030007300	S.RES ERJ2GEJ 332 X (3.3K)	B	36.4/42.1
R154	7030004970	S.RES ERJ2GEJ 470 X (47)	T	42.9/40
R155	7030007290	S.RES ERJ2GEJ 222 X (2.2K)	T	39.9/33
R156	7030004970	S.RES ERJ2GEJ 470 X (47)	T	42.3/41.2
R157	7030005090	S.RES ERJ2GEJ 104 X (100K)	B	30.1/24.9
R158	7030005240	S.RES ERJ2GEJ 473 X (47K)	T	111.1/42.7
R159	7030005240	S.RES ERJ2GEJ 473 X (47K)	T	111.5/40.9
R160	7030005240	S.RES ERJ2GEJ 473 X (47K)	T	113.7/39.9
R161	7030005070	S.RES ERJ2GEJ 683 X (68K)	T	105.4/48.4
R162	7030005240	S.RES ERJ2GEJ 473 X (47K)	T	127.8/16.3
R163	7030005240	S.RES ERJ2GEJ 473 X (47K)	T	128.7/17.2
R164	7030005240	S.RES ERJ2GEJ 473 X (47K)	T	129.6/16.3
R165	7030005230	S.RES ERJ2GEJ 334 X (330K)	T	129.8/21.6
R166	7030005230	S.RES ERJ2GEJ 334 X (330K)	T	129.8/20.3
R167	7030005230	S.RES ERJ2GEJ 334 X (330K)	T	129.8/19
R168	7030011180	S.RES RR0510P-391-D (390)	B	60/42.5
R169	7030009820	S.RES RR0510P-681-D (680)	[A]	B 60/38.6
	7030009820	S.RES RR0510P-681-D (680)	[M]	
	7030009820	S.RES RR0510P-681-D (680)	[J]	
	7030011180	S.RES RR0510P-391-D (390)	[B]	
	7030011180	S.RES RR0510P-391-D (390)	[N]	
R170	7030009820	S.RES RR0510P-681-D (680)	B	55.7/31.5
R171	7030005310	S.RES ERJ2GEJ 124 X (120K)	T	57/31.8
R172	7030008280	S.RES ERJ2GEJ 271 X (270)	B	37.5/44.6
R173	7030007270	S.RES ERJ2GEJ 151 X (150)	B	40/32.8
R176	7030005590	S.RES ERJ2GEJ 680 X (68)	B	31.3/37.4
R177	7030005590	S.RES ERJ2GEJ 680 X (68)	B	31.3/35
R178	7030005240	S.RES ERJ2GEJ 473 X (47K)	T	113.7/38.9
R179	7030008300	S.RES ERJ2GEJ 184 X (180K)	T	117.1/34.6
R180	7030005720	S.RES ERJ2GEJ 563 X (56K)	T	117.5/35.6
R181	7030005220	S.RES ERJ2GEJ 223 X (22K)	T	117.1/36.6
R182	7030005120	S.RES ERJ2GEJ 102 X (1K)	T	117.5/33.6
R183	7030005070	S.RES ERJ2GEJ 683 X (68K)	T	103.7/48.4
R184	7030005220	S.RES ERJ2GEJ 223 X (22K)	T	115.4/36.6
R185	7030005720	S.RES ERJ2GEJ 563 X (56K)	B	102.3/45.6
R186	7030005160	S.RES ERJ2GEJ 105 X (1M)	T	81.3/19.3
R187	7030005060	S.RES ERJ2GEJ 333 X (33K)	T	81.3/17.5
R188	7030005090	S.RES ERJ2GEJ 104 X (100K)	T	78.9/14.6
R189	7030005720	S.RES ERJ2GEJ 563 X (56K)	T	78.5/15.8
R190	7030007350	S.RES ERJ2GEJ 393 X (39K)	T	80.9/18.4
R191	7030004980	S.RES ERJ2GEJ 101 X (100)	T	54.2/30.4
R192	7030008280	S.RES ERJ2GEJ 271 X (270)	B	52.6/35.9
R193	7030005050	S.RES ERJ2GEJ 103 X (10K)	B	57.5/31.5
R194	7030007340	S.RES ERJ2GEJ 153 X (15K)	T	53.5/36.7
R195	7030007260	S.RES ERJ2GEJ 330 X (33)	T	51/33.4
R196	7030005050	S.RES ERJ2GEJ 103 X (10K)	B	56.8/35.3
R197	7030005050	S.RES ERJ2GEJ 103 X (10K)	B	55/38.5
R198	7030010090	S.RES ERJ2GEJ 180 X (18)	B	38/46
R199	7030008280	S.RES ERJ2GEJ 271 X (270)	B	38.5/44.6
R200	7030005050	S.RES ERJ2GEJ 103 X (10K)	B	8.4/20.6
R201	7410001130	S.ARR EXB28V102JX	B	117/51.7
R202	7030005090	S.RES ERJ2GEJ 104 X (100K)	T	127.1/46.7
R203	7030005120	S.RES ERJ2GEJ 102 X (1K)	B	126.7/42.2
R204	7410000750	S.ARR EXB-V4V 104JV (100K)	B	129.6/40.5
R205	7030008010	S.RES ERJ2GEJ 123 X (12K)	T	126.2/39.2
R206	7030005120	S.RES ERJ2GEJ 102 X (1K)	B	128.7/37.1
R207	7030005050	S.RES ERJ2GEJ 103 X (10K)	T	120.3/37
R208	7030005050	S.RES ERJ2GEJ 103 X (10K)	T	121/37.7
R209	7410001130	S.ARR EXB28V102JX	B	128.6/39.5
R210	7030008010	S.RES ERJ2GEJ 123 X (12K)	T	123.6/37.9
R211	7030008010	S.RES ERJ2GEJ 123 X (12K)	T	125.5/40.8
R212	7030005160	S.RES ERJ2GEJ 105 X (1M)	T	121.7/40.8
R213	7030005070	S.RES ERJ2GEJ 683 X (68K)	T	49/35
R214	7030004980	S.RES ERJ2GEJ 101 X (100)	B	49/35
R215	7030005050	S.RES ERJ2GEJ 103 X (10K)	B	48.8/51.4
R216	7030004980	S.RES ERJ2GEJ 101 X (100)	[A]	B 49.8/49.7
	7030005120	S.RES ERJ2GEJ 102 X (1K)	[M]	
	7030005120	S.RES ERJ2GEJ 102 X (1K)	[J]	
	7030004980	S.RES ERJ2GEJ 101 X (100)	[B]	
	7030005120	S.RES ERJ2GEJ 102 X (1K)	[N]	
R218	7030010040	S.RES ERJ2GEJ-JPW	T	53.5/34.9
R219	7030005050	S.RES ERJ2GEJ 103 X (10K)	B	46.8/44.6
R220	7030005040	S.RES ERJ2GEJ 472 X (4.7K)	B	49.7/44.8
R221	7030004980	S.RES ERJ2GEJ 101 X (100)	B	46.8/42.9
R222	7030005110	S.RES ERJ2GEJ 224 X (220K)	B	13.5/33.1
R223	7030005110	S.RES ERJ2GEJ 224 X (220K)	B	10.7/33.1
R224	7030			

[MAIN UNIT] (For IC-F6060 series)

REF NO.	PARTS NO.	DESCRIPTION	M.	H/V LOCATION
R248	7410001130	S.ARR EXB28V102JX	B	103.9/47.9
R249	7410001130	S.ARR EXB28V102JX	B	123.6/27.2
R250	7410001130	S.ARR EXB28V102JX	B	121.9/25.3
R251	7410001140	S.ARR EXB28V104JX	T	122.2/27.9
R252	7410001140	S.ARR EXB28V104JX	T	122.1/25.7
R253	7030008290	S.RES ERJ2GEJ 183 X (18K)	T	11.8/40.8
R254	7030005110	S.RES ERJ2GEJ 224 X (220K)	T	7.3/41.1
R255	7030005240	S.RES ERJ2GEJ 473 X (47K)	B	9/41.9
R257	7030008400	S.RES ERJ2GEJ 182 X (1.8K)	T	7.3/39.7
R258	7030005170	S.RES ERJ2GEJ 474 X (470K)	T	8.4/42.2
R259	7030005090	S.RES ERJ2GEJ 104 X (100K)	B	5.4/45.6
R260	7030005090	S.RES ERJ2GEJ 104 X (100K)	B	5.4/48
R261	7410001130	S.ARR EXB28V102JX	B	99.7/43.5
R262	7410001130	S.ARR EXB28V102JX	T	100.5/37
R263	7410001130	S.ARR EXB28V102JX	B	97/40.7
R264	7410000750	S.ARR EXB-V4V 104JV (100K)	T	103.2/35.4
R265	7030007340	S.RES ERJ2GEJ 153 X (15K)	T	87.7/31
R266	7410001130	S.ARR EXB28V102JX	B	120.1/23.5
R267	7410001130	S.ARR EXB28V102JX	B	118.3/21.7
R268	7410001130	S.ARR EXB28V102JX	B	116.5/19.9
R269	7030005090	S.RES ERJ2GEJ 104 X (100K)	T	118.6/20.6
R270	7030007340	S.RES ERJ2GEJ 153 X (15K)	T	88.6/34.2
R271	7030007270	S.RES ERJ2GEJ 151 X (150)	T	73/71.8
R272	7030007280	S.RES ERJ2GEJ 331 X (330)	T	61/76.2
R273	7030005050	S.RES ERJ2GEJ 103 X (10K)	T	63.6/76.2
R274	7030004980	S.RES ERJ2GEJ 101 X (100)	B	57.9/68.9
R277	7030005050	S.RES ERJ2GEJ 103 X (10K)	B	4.1/46.5
R278	7030005050	S.RES ERJ2GEJ 103 X (10K)	B	126.6/28.8
R279	7030005090	S.RES ERJ2GEJ 104 X (100K)	B	127.6/28.8
R280	7410001130	S.ARR EXB28V102JX	B	95.2/38.9
R281	7030005090	S.RES ERJ2GEJ 104 X (100K)	T	93.8/48.9
R282	7410000750	S.ARR EXB-V4V 104JV (100K)	T	91.6/49.5
R283	7410001130	S.ARR EXB28V102JX	B	104.7/22.2
R284	7030005120	S.RES ERJ2GEJ 102 X (1K)	T	11.3/25.3
R285	7410001130	S.ARR EXB28V102JX	B	107.1/19.9
R286	7410001140	S.ARR EXB28V104JX	T	120.5/21.8
R287	7030004990	S.RES ERJ2GEJ 221 X (220)	B	57.6/64.5
R288	7030005100	S.RES ERJ2GEJ 154 X (150K)	B	55.8/68.9
R289	7030008300	S.RES ERJ2GEJ 184 X (180K)	[A] B	44.3/65
R290	7030008300	S.RES ERJ2GEJ 184 X (180K)	[A] B	
	7520000260	S.POS PRF18BB471QB1RB	[B] T	33.7/66.7
	7520000260	S.POS PRF18BB471QB1RB	[B] T	
R291	7030005120	S.RES ERJ2GEJ 102 X (1K)	T	107.2/21.1
R292	7030006070	S.RES ERJ12VJ101U (100)	B	36.9/68
R293	7030005110	S.RES ERJ2GEJ 224 X (220K)	B	50.5/65.7
R294	7030005050	S.RES ERJ2GEJ 103 X (10K)	B	53.1/70.1
R295	7030005110	S.RES ERJ2GEJ 224 X (220K)	B	54.2/64.5
R296	7030005040	S.RES ERJ2GEJ 472 X (4.7K)	B	50/68.9
R297	7030008010	S.RES ERJ2GEJ 123 X (12K)	[A] B	51.8/70.2
	7030008010	S.RES ERJ2GEJ 123 X (12K)	[M] B	
	7030008010	S.RES ERJ2GEJ 123 X (12K)	[J] B	
	7030008010	S.RES ERJ2GEJ 123 X (12K)	[N] B	
R298	7030006610	S.RES ERJ2GEJ 394 X (390K)	B	49.2/66.1
R299	7030005110	S.RES ERJ2GEJ 224 X (220K)	B	18.3/33.1
R300	7030005050	S.RES ERJ2GEJ 103 X (10K)	B	99.9/59.6
R301	7030007290	S.RES ERJ2GEJ 222 X (2.2K)	T	106.7/55
R302	7030000440	S.RES MCR10EZHH 3.3K (332)	T	79.1/64.4
R303	7030000440	S.RES MCR10EZHH 3.3K (332)	T	81.1/64.4
R304	7030000440	S.RES MCR10EZHH 3.3K (332)	T	83.1/64.4
R305	7030005050	S.RES ERJ2GEJ 103 X (10K)	T	66.9/54.1
R306	7030005040	S.RES ERJ2GEJ 472 X (4.7K)	T	68.1/53.2
R307	7030005050	S.RES ERJ2GEJ 103 X (10K)	B	35.4/61.7
R308	7410001130	S.ARR EXB28V102JX	T	102.3/63.8
R309	7030005070	S.RES ERJ2GEJ 683 X (68K)	T	94.9/5.4
R310	7030004980	S.RES ERJ2GEJ 101 X (100)	B	109.1/62.5
R311	7030000260	S.RES MCR10EZHH 100 (101)	B	16/79.4
R312	7030005700	S.RES ERJ2GEJ 274 X (270K)	B	41/61.1
R313	7030003320	S.RES ERJ3GEVJ 101 V (100)	B	11.2/58
R314	7030007340	S.RES ERJ2GEJ 153 X (15K)	[A] B	10/55.3
	7030008400	S.RES ERJ2GEJ 182 X (1.8K)	[M] B	
	7030008400	S.RES ERJ2GEJ 182 X (1.8K)	[J] B	
	7030007340	S.RES ERJ2GEJ 153 X (15K)	[B] B	
	7030007340	S.RES ERJ2GEJ 153 X (15K)	[N] B	
R315	7030000220	S.RES MCR10EZHH 47 (470)	B	3/61.6
R316	7030005170	S.RES ERJ2GEJ 474 X (470K)	T	92.7/10.3
R317	7030005160	S.RES ERJ2GEJ 105 X (1M)	B	116.5/86.3
R318	7030005160	S.RES ERJ2GEJ 105 X (1M)	B	113.7/83.8
R319	7030005120	S.RES ERJ2GEJ 102 X (1K)	B	114/82.6
R320	7030005160	S.RES ERJ2GEJ 105 X (1M)	B	112.9/86.3
R321	7030004970	S.RES ERJ2GEJ 470 X (47)	B	112.1/84.5
R322	7030007340	S.RES ERJ2GEJ 153 X (15K)	[A] B	4.6/80.9
	7030008400	S.RES ERJ2GEJ 182 X (1.8K)	[M] B	
	7030008400	S.RES ERJ2GEJ 182 X (1.8K)	[J] B	
	7030007340	S.RES ERJ2GEJ 153 X (15K)	[B] B	
	7030007340	S.RES ERJ2GEJ 153 X (15K)	[N] B	
R323	7030003320	S.RES ERJ3GEVJ 101 V (100)	B	6.8/80.9
R324	7030000620	S.RES MCR10EZHH 100 K (104)	T	6.1/83.1
R325	7030005050	S.RES ERJ2GEJ 103 X (10K)	B	131.2/45.3
R326	7030005090	S.RES ERJ2GEJ 104 X (100K)	B	131.6/51.7
R327	7030007290	S.RES ERJ2GEJ 222 X (2.2K)	B	131.1/54.2
R328	7030005090	S.RES ERJ2GEJ 104 X (100K)	B	134.1/51.7
R332	7030005090	S.RES ERJ2GEJ 104 X (100K)	T	109.4/24.2
R333	7030005120	S.RES ERJ2GEJ 102 X (1K)	T	112.6/29.5
R334	7030000100	S.RES MCR10EZHH 4.7 (4R7)	T	108.1/77.4
R335	7030005050	S.RES ERJ2GEJ 103 X (10K)	T	108/78.8
R336	7030005120	S.RES ERJ2GEJ 102 X (1K)	T	112.2/80
R337	7410001130	S.ARR EXB28V102JX	T	104.8/77
R338	7030005651	S.RES ERA3YKD 304V (300K)	B	99.9/57.9
R339	7030005871	S.RES ERA3YKD 104V (100K)	B	99.9/56.5
R340	7030003560	S.RES ERJ3GEVJ 103 V (10K)	T	136.3/65.7
R341	7030003560	S.RES ERJ3GEVJ 103 V (10K)	B	130.7/85.9
R342	7030005090	S.RES ERJ2GEJ 104 X (100K)	B	135.4/52.2
R343	7030007290	S.RES ERJ2GEJ 222 X (2.2K)	B	138.1/49.4
R344	7030005110	S.RES ERJ2GEJ 224 X (220K)	B	133.3/54.6

[MAIN UNIT] (For IC-F6060 series)

REF NO.	PARTS NO.	DESCRIPTION	M.	H/V LOCATION
R345	7030005110	S.RES ERJ2GEJ 224 X (220K)	B	133.3/56.3
R346	7030005040	S.RES ERJ2GEJ 472 X (4.7K)	B	137/52.2
R347	7030005050	S.RES ERJ2GEJ 103 X (10K)	B	137.8/53.7
R348	7030005700	S.RES ERJ2GEJ 274 X (270K)	B	129.1/77.2
R349	7030005090	S.RES ERJ2GEJ 104 X (100K)	B	127.8/77.7
R350	7030005120	S.RES ERJ2GEJ 102 X (1K)	B	140/47.6
R351	7030004980	S.RES ERJ2GEJ 101 X (100)	B	134.5/36.5
R352	7030008300	S.RES ERJ2GEJ 184 X (180K)	B	140.1/38.5
R353	7030005230	S.RES ERJ2GEJ 334 X (330K)	B	139.3/34.8
R354	7030010040	S.RES ERJ2GEJ-JPW	T	140.4/36
R355	7030008280	S.RES ERJ2GEJ 271 X (270)	B	138/34.8
R356	7540000290	ABS ERZV10D220		
R359	7030005090	S.RES ERJ2GEJ 104 X (100K)	B	112.6/80.5
R360	7030005090	S.RES ERJ2GEJ 104 X (100K)	T	78.4/5.3
R361	7030005600	S.RES ERJ2GEJ 273 X (27K)	T	76.7/18.3
R362	7030005050	S.RES ERJ2GEJ 103 X (10K)	T	121.7/48.6
R363	7030005120	S.RES ERJ2GEJ 102 X (1K)	T	42.9/38.2
R364	7030005040	S.RES ERJ2GEJ 472 X (4.7K)	T	42/37.2
R366	7030005050	S.RES ERJ2GEJ 103 X (10K)	B	131.4/63.4
R367	7030005000	S.RES ERJ2GEJ 471 X (470)	B	130.1/63
R368	7030005050	S.RES ERJ2GEJ 103 X (10K)	T	80.6/7.2
R370	7030005030	S.RES ERJ2GEJ 152 X (1.5K)	B	78.4/35.7
R371	7030005120	S.RES ERJ2GEJ 102 X (1K)	B	78.7/44.7
R372	7030010040	S.RES ERJ2GEJ-JPW	B	39.5/8.8
R373	7030010040	S.RES ERJ2GEJ-JPW	B	50.4/12.3
R374	7030005050	S.RES ERJ2GEJ 103 X (10K)	T	117.9/83.3
R375	7030005030	S.RES ERJ2GEJ 152 X (1.5K)	T	29.2/5.3
R376	7030005040	S.RES ERJ2GEJ 472 X (4.7K)	T	75.8/18.3
R377	7030005160	S.RES ERJ2GEJ 105 X (1M)	B	112.9/102.2
R378	7030005160	S.RES ERJ2GEJ 105 X (1M)	B	114.2/12.7
R379	7410001140	S.ARR EXB28V104JX	B	99.9/18
R380	7030005090	S.RES ERJ2GEJ 104 X (100K)	T	110.9/22.2
R385	7030010040	S.RES ERJ2GEJ-JPW	T	64.8/76.6
R386	7410000750	S.ARR EXB-V4V 104JV (100K)	T	110.1/30.2
R387	7030005120	S.RES ERJ2GEJ 102 X (1K)	T	104.8/86.7
R388	7030005120	S.RES ERJ2GEJ 102 X (1K)	T	108.8/86.7
R389	7030005050	S.RES ERJ2GEJ 103 X (10K)	T	103.8/38.2
C1	4030017420	S.CER ECJ0EC1H470J	T	88.9/54.3
C2	4030017420	S.CER ECJ0EC1H470J	T	89.9/54.3
C3	4030017420	S.CER ECJ0EC1H470J	T	41.7/15.3
C4	4030017420	S.CER ECJ0EC1H470J	B	50.4/14.9
C5	4030016930	S.CER ECJ0EB1A104K	B	89.8/34.6
C6	4550006250	S.TAN TEESVA 1A 106M8R	B	77.3/49.7
C8	4030017420	S.CER ECJ0EC1H470J	T	89.9/52
C9	4030016930	S.CER ECJ0EB1A104K	T	88.9/52
C10	4030016930	S.CER ECJ0EB1A104K	T	79.8/51
C11	4030016930	S.CER ECJ0EB1A104K	T	9.3/18.1
C12	4030016930	S.CER ECJ0EB1A104K	T	9.3/11.1
C13	4030016930	S.CER ECJ0EB1A104K	T	82.8/6.6
C14	4030016930	S.CER ECJ0EB1A104K	T	86.3/8.9
C15	4030017460	S.CER ECJ0EB1E102K	T	41.5/7.7
C16	4550000460	S.TAN TEESVA 1C 105M8R	T	42.7/6.2
C17	4550000460	S.TAN TEESVA 1C 105M8R	B	43/6.2
C18	4030017420	S.CER ECJ0EC1H470J	T	41.7/14
C19	4030017420	S.CER ECJ0EC1H470J	B	50.4/15.8
C20	4030016970	S.CER ECJ0EB1C223K	B	101/52.7
C21	4030017420	S.CER ECJ0EC1H470J	T	41.7/16.9
C22	4030017420	S.CER ECJ0EC1H470J	T	41.7/12.7
C23	4030016930	S.CER ECJ0EB1A104K	T	52.2/5.6
C24	4030017420	S.CER ECJ0EC1H470J	B	39.5/9.8
C25	4030017420	S.CER ECJ0EC1H470J	T	60.9/5.9
C26	4030016930	S.CER ECJ0EB1A104K	B	37.7/6
C27	4030017760	S.CER ECJ0EB1H222K	B	36.8/7.3
C28	4030016790	S.CER ECJ0EB1C103K	T	78.1/9.5
C29	4030017460	S.CER ECJ0EB1E102K	T	78.5/12.2
C30	4030016930	S.CER ECJ0EB1A104K	T	78.5/13.4
C31	4030017460	S.CER ECJ0EB1E102K	T	82/50.5
C32	4030017500	S.CER ECJ0EC1H560J	B	33.3/15.9
C33	4030016930	S.CER ECJ0EB1A104K	B	35.8/12.7
C34	4030017570	S.CER ECJ0EC1H040B	B	32/15.4
C35	4030017590	S.CER ECJ0EC1H070C	B	30.8/15.9
C36	4030016930	S.CER ECJ0EB1A104K	T	22.9/15
C37	4030017360	S.CER ECJ0EC1H030B	B	28.1/15.4
C38	4030016930	S.CER ECJ0EB1A104K	T	22.1/6.2
C39	4030016930	S.CER ECJ0EB1A104K	B	15/5.7
C40	4030016930	S.CER ECJ0EB1A104K	T	24.4/6
C41	4030016930	S.CER ECJ0EB1A104K	T	22.2/12.5
C42	4030016930	S.CER ECJ0EB1A104K	T	23.1/12.5
C43	4030017760	S.CER ECJ0EB1H222K	T	26.4/9.4
C44	4030017760	S.CER ECJ0EB1H222K	T	25.5/9.4
C45	4030017990	S.CER ECJ0EB1E682K	B	92.9/9.6
C46	4030016930	S.CER ECJ0EB1A104K	B	93.9/10
C47	4030016970	S.CER ECJ0EB1C		

[MAIN UNIT] (For IC-F6060 series)

REF NO.	PARTS NO.	DESCRIPTION	M.	H/V LOCATION
C70	4030017420	S.CER ECJ0EC1H470J	B	30.6/14.3
C71	4030016940	S.CER ECJ0EB1A393K	B	92.9/7.8
C72	4030018860	S.CER ECJ0EB0J105K	B	50.9/11
C73	4030017750	S.CER ECJ0EB1E122K	B	50.3/17.7
C74	4030016930	S.CER ECJ0EB1A104K	B	52/17.7
C75	4030016930	S.CER ECJ0EB1A104K	B	55.9/12.6
C77	4030017460	S.CER ECJ0EB1E102K	B	53.1/12.7
C78	4030017460	S.CER ECJ0EB1E102K	B	53.3/8.6
C79	4550006250	S.TAN TEESVA 1A 106M8R	B	50.1/33.1
C80	4030017770	S.CER ECJ0EB1E332K	B	82.6/43.3
C81	4550000560	S.TAN TEESVA 1V 334M8R	B	84.4/41.1
C82	4030017460	S.CER ECJ0EB1E102K	B	80.3/30.7
C83	4550000270	S.TAN TEESVA 1E 474M8R	B	84.4/35.9
C84	4030017460	S.CER ECJ0EB1E102K	B	83.2/49.6
C85	4030017350	S.CER ECJ0EC1H020B	T	55.2/45.4
C87	4030017340	S.CER ECJ0EC1H010B	T	53.9/42.8
C88	4030017530	S.CER ECJ0EC1H0R5B	T	55.2/42.3
C89	4030017550	S.CER ECJ0EC1H1R5B	[A] [M] [J] [B] [N]	T 53.9/41.8
C91	4030017340	S.CER ECJ0EC1H010B	[B]	
C92	4030017460	S.CER ECJ0EB1E102K	T	27.3/17.3
C93	4030017680	S.CER ECJ0EC1H820J	T	24.6/20.3
C94	4030017460	S.CER ECJ0EB1E102K	B	32.6/12.5
C95	4030016790	S.CER ECJ0EB1C103K	T	30.5/12.5
C96	4030016930	S.CER ECJ0EB1A104K	T	28.8/19.3
C97	4030016930	S.CER ECJ0EB1A104K	B	32.7/6.1
C98	4030016930	S.CER ECJ0EB1A104K	B	29.8/9.4
C99	4030016930	S.CER ECJ0EB1A104K	B	89.3/7.4
C100	4030016930	S.CER ECJ0EB1A104K	B	90.8/14.6
C101	4030017710	S.CER ECJ0EC1H181J	T	86.1/15.6
C102	4030016930	S.CER ECJ0EB1A104K	T	83.9/7.5
C103	4030016930	S.CER ECJ0EB1A104K	T	106.7/34.7
C104	4550000270	S.TAN TEESVA 1E 474M8R	B	55.3/19.5
C105	4030017420	S.CER ECJ0EC1H470J	B	76.6/32.9
C107	4030016930	S.CER ECJ0EB1A104K	T	74.2/41.3
C110	4030017420	S.CER ECJ0EC1H470J	T	72.9/43.4
C111	4030016930	S.CER ECJ0EB1A104K	T	74.2/34.8
C112	4030017460	S.CER ECJ0EB1E102K	B	73.9/28.3
C113	4030017420	S.CER ECJ0EC1H470J	T	73/27.4
C114	4030016790	S.CER ECJ0EB1C103K	T	74.2/28.3
C115	4030016790	S.CER ECJ0EB1C103K	T	24.2/21.3
C116	4030016790	S.CER ECJ0EB1C103K	T	22.5/21.3
C119	4030017640	S.CER ECJ0EC1H150J	T	26.6/22.5
C120	4030016790	S.CER ECJ0EB1C103K	T	20.3/27.9
C123	4030017390	S.CER ECJ0EC1H180J	T	32.2/22.5
C124	4030016930	S.CER ECJ0EB1A104K	T	40/28
C126	4030016930	S.CER ECJ0EB1A104K	B	90.8/17.4
C128	4030016930	S.CER ECJ0EB1A104K	T	82.7/21.2
C129	4030016930	S.CER ECJ0EB1A104K	T	80/20.2
C130	4030016930	S.CER ECJ0EB1A104K	B	63.7/16
C131	4030017660	S.CER ECJ0EC1H330J	B	134.8/16.8
C132	4030017660	S.CER ECJ0EC1H330J	B	137.5/23.8
C133	4030017580	S.CER ECJ0EC1H060C	[A] [M] [J] [B] [N]	T 137.5/18.8 69/43.9
C134	4030017580	S.CER ECJ0EC1H060C	[A] [M] [J] [B] [N]	T 69/43.9
C135	4030017590	S.CER ECJ0EC1H070C	T	70.3/43
C136	4030017460	S.CER ECJ0EB1E102K	B	69/37.4
C137	4030017670	S.CER ECJ0EC1H390J	[A] [M] [J] [B] [N]	T 70.3/30
C138	4030017640	S.CER ECJ0EC1H150J	[A] [M] [J] [B] [N]	T 69/30.9
C139	4030017630	S.CER ECJ0EC1H120J	[A] [M] [J] [B] [N]	T 70.3/36.5
C140	4030017460	S.CER ECJ0EB1E102K	T	73/40.4
C141	4030017460	S.CER ECJ0EB1E102K	T	73/33.9
C142	4030018860	S.CER ECJ0EB0J105K	T	90.1/10.7
C143	4030017340	S.CER ECJ0EC1H010B	T	64.7/31.3
C145	4030016790	S.CER ECJ0EB1C103K	T	27.8/35.2
C147	4030016790	S.CER ECJ0EB1C103K	T	35.1/35.2
C148	4030016790	S.CER ECJ0EB1C103K	T	29.9/33.9
C149	4030016930	S.CER ECJ0EB1A104K	B	76.5/18.7
C150	4030018560	S.CER C2012 JB 1A 475K-T	B	89/22
C151	4030016930	S.CER ECJ0EB1A104K	T	111.1/46.3
C152	4030016930	S.CER ECJ0EB1A104K	T	108.5/35.7
C153	4030017460	S.CER ECJ0EB1E102K	T	110.3/35.6
C154	4030018860	S.CER ECJ0EB0J105K	T	83.2/19.8
C155	4030017420	S.CER ECJ0EC1H470J	T	110.3/37.9
C156	4030017910	S.CER ECJ0EB1H152K	T	103.2/42.7
C157	4030017420	S.CER ECJ0EC1H470J	T	110.7/47.2
C158	4030017430	S.CER ECJ0EC1H010J	T	108.5/36.7
C159	4030017460	S.CER ECJ0EB1E102K	B	118.5/9.4
C160	4030017460	S.CER ECJ0EB1E102K	B	130.6/25.4
C161	4030017610	S.CER ECJ0EC1H090C	[A] [M] [J] [B] [N]	T 64.2/43

[MAIN UNIT] (For IC-F6060 series)

REF NO.	PARTS NO.	DESCRIPTION	M.	H/V LOCATION
C162	4030017380	S.CER ECJ0EC1H050B	[A] [M] [J] [B] [N]	T 68.6/45.2
C163	4030017620	S.CER ECJ0EC1H100C	[A] [M] [J] [B] [N]	T 64.2/36.5
C164	4030017390	S.CER ECJ0EC1H180J	[A] [M] [J] [B] [N]	T 61.6/44.8
C165	4030017630	S.CER ECJ0EC1H120J	[A] [M] [J] [B] [N]	T 60.3/45.2
C166	4030017620	S.CER ECJ0EC1H100C	[A] [M] [J] [B] [N]	T 68.6/38.7
C167	4030017640	S.CER ECJ0EC1H150J	[A] [M] [J] [B] [N]	T 64.2/30
C168	4030017630	S.CER ECJ0EC1H120J	[A] [M] [J] [B] [N]	T 61.6/38.3
C169	4030017610	S.CER ECJ0EC1H090C	[A] [M] [J] [B] [N]	T 60.3/38.7
C170	4030017340	S.CER ECJ0EC1H010B	[A] [M] [J] [B] [N]	T 65.6/31.3
C171	4030017570	S.CER ECJ0EC1H040B	[A] [M] [J] [B] [N]	T 68.6/32.2
C172	4030017560	S.CER ECJ0EC1H2R5B	[A] [M] [J] [B] [N]	T 61.6/31.8
C173	4030017620	S.CER ECJ0EC1H100C	[A] [M] [J] [B] [N]	T 60.2/32.2
C174	4030017580	S.CER ECJ0EC1H060C	[A] [M] [J] [B] [N]	T 38.1/37.2
C175	4030016790	S.CER ECJ0EB1C103K	B	41.4/39.4
C176	4030016930	S.CER ECJ0EB1A104K	B	41.2/32.8
C177	4030017730	S.CER ECJ0EB1E471K	B	42.1/32.8
C178	4030016790	S.CER ECJ0EB1C103K	B	34.6/32.9
C180	4030017740	S.CER ECJ0EB1E821K	T	108.8/47.5
C181	4030016930	S.CER ECJ0EB1A104K	T	111.5/43.6
C182	4030016780	S.CER ECJ0EB1C153K	T	112/39.9
C183	4030017420	S.CER ECJ0EC1H470J	T	103.8/44.5
C184	4030017760	S.CER ECJ0EB1H222K	T	105.4/47.5
C185	4030017690	S.CER ECJ0EC1H121J	T	107.1/47.5
C186	4030016930	S.CER ECJ0EB1A104K	T	62.6/40.9
C187	4030017460	S.CER ECJ0EB1E102K	T	63.5/40.9
C188	4030016790	S.CER ECJ0EB1C103K	T	62.6/34.4
C189	4030017460	S.CER ECJ0EB1E102K	T	63.5/34.4
C190	4030017530	S.CER ECJ0EC1H0R5B	T	58.6/42.7
C191	4030016790	S.CER ECJ0EB1C103K	T	62.6/27.9
C192	4030017520	S.CER ECJ0EC1H0R3B	[A] [M] [J] [B] [N]	T 58.6/36.2
C193	4030017460	S.CER ECJ0EB1E102K	T	63.5/27.9
C194	4030017530	S.CER ECJ0EC1H0R5B	T	58.9/31.8
C195	4030016930	S.CER ECJ0EB1A104K	B	40.3/30.2
C196	4030017730	S.CER ECJ0EB1E471K	B	38.7/33.2
C197	4030016930	S.CER ECJ0EB1A104K	B	38.7/32.3
C198	4030017730	S.CER ECJ0EB1E471K	B	31.3/38.3
C199	4030016930	S.CER ECJ0EB1A104K	B	31.3/39.2
C200	4030016930	S.CER ECJ0EB1A104K	B	31.3/34.1
C201	4030017730	S.CER ECJ0EB1E471K	B	31.3/35.9
C202	4030017460	S.CER ECJ0EB1E102K	T	112/38.9
C203	4030017460	S.CER ECJ0EB1E102K	B	100.5/47.4
C204	4030017420	S.CER ECJ0EC1H470J	B	66.4/33.1
C205	4030018900	S.CER ECJ0EB0J474K	T	79.6/19.3
C206	4030016930	S.CER ECJ0EB1A104K	T	78.5/16.7
C207	4030017730	S.CER ECJ0EB1E471K	T	54.2/27.8
C208	4030017460	S.CER ECJ0EB1E102K	T	55.3/32.2
C209	4030017460	S.CER ECJ0EB1E102K	B	53.6/35.9
C210	4030017380	S.CER ECJ0EC1H050B	T	52.7/33.4
C211	4030017610	S.CER ECJ0EC1H090C	T	54.7/34.9
C212	4030017420	S.CER ECJ0EC1H470J	T	53.9/38
C213	4030017460	S.CER ECJ0EB1E102K	B	55.8/42.5
C214	4030017460	S.CER ECJ0EB1E102K	B	58.6/34.7
C215	4030017580	S.CER ECJ0EC1H060C	[A] [M] [J] [B] [N]	B 39.5/44.6

M.=Mounted side (T: Mounted on the Top side, B: Mounted on the Bottom side)
S.=Surface mount

[MAIN UNIT] (For IC-F6060 series)

REF NO.	PARTS NO.	DESCRIPTION	M.	H/V LOCATION
C216	4030017630	S.CER ECJ0EC1H120J	[A]	B 41.5/44.6
	4030017630	S.CER ECJ0EC1H120J	[M]	
	4030017630	S.CER ECJ0EC1H120J	[J]	
	4030017390	S.CER ECJ0EC1H180J	[B]	
C217	4030017730	S.CER ECJ0EB1E471K	B	25.4/33.2
	4030016930	S.CER ECJ0EB1A104K	B	
C218	4030016930	S.CER ECJ0EB1A104K	B	23.8/33.2
C219	4030017570	S.CER ECJ0EC1H040B	[A]	B 22.7/36.5
	4030017570	S.CER ECJ0EC1H040B	[M]	
C220	4030017570	S.CER ECJ0EC1H040B	[J]	B 22.2/37.7
	4030017570	S.CER ECJ0EC1H040B	[N]	
C221	4030017550	S.CER ECJ0EC1H1R5B	B	22.2/37.7
C221	4030016930	S.CER ECJ0EB1A104K	B	5.6/23.2
C222	4030017030	S.CER ECJ0EB1A273K	B	128.7/45.9
C223	4030016930	S.CER ECJ0EB1A104K	B	123.5/43.9
C224	4030017640	S.CER ECJ0EC1H150J	T	123/39.9
C225	4030016790	S.CER ECJ0EB1C103K	T	125/36.8
C226	4030017580	S.CER ECJ0EC1H060C	T	123.4/40.8
C227	4030017460	S.CER ECJ0EB1E102K	B	48/35
C228	4030017460	S.CER ECJ0EB1E102K	[A]	T 49.4/37.2
	4030017460	S.CER ECJ0EB1E102K	[M]	
C229	4030017420	S.CER ECJ0EB1E102K	[J]	B 50.8/40.8
	4030017420	S.CER ECJ0EC1H470J	[N]	
C230	4030017620	S.CER ECJ0EC1H100C	[A]	B 50.8/40.8
	4030017620	S.CER ECJ0EC1H100C	[M]	
C231	4030017620	S.CER ECJ0EC1H100C	[J]	B 48.8/49.7
	4030017620	S.CER ECJ0EC1H100C	[N]	
C231	4030017340	S.CER ECJ0EC1H010B	B	51.5/44.8
C232	4030017460	S.CER ECJ0EB1E102K	T	55.2/40.6
C234	4030017370	S.CER ECJ0EC1H3R5B	B	50.8/49.7
C235	4030017460	S.CER ECJ0EB1E102K	B	45.8/42.9
C236	4030017580	S.CER ECJ0EC1H060C	[A]	B 44.2/44.6
	4030017580	S.CER ECJ0EC1H060C	[M]	
C237	4030017580	S.CER ECJ0EC1H060C	[J]	B 45.1/46
	4030017620	S.CER ECJ0EC1H100C	[N]	
C238	4030017620	S.CER ECJ0EC1H100C	[A]	B 45.1/46
	4030017620	S.CER ECJ0EC1H100C	[M]	
C239	4030017400	S.CER ECJ0EC1H220J	[J]	B 12.9/35.7
	4030017400	S.CER ECJ0EC1H220J	[N]	
C240	4030017350	S.CER ECJ0EC1H020B	[A]	B 14/34.4
	4030017350	S.CER ECJ0EC1H020B	[M]	
C241	4030017350	S.CER ECJ0EC1H020B	[J]	B 17.1/37.7
	4030017350	S.CER ECJ0EC1H020B	[N]	
C242	4030017610	S.CER ECJ0EC1H090C	[A]	B 10.2/34.4
	4030017610	S.CER ECJ0EC1H090C	[M]	
C243	4030017610	S.CER ECJ0EC1H090C	[J]	B 15.4/32.2
	4030017600	S.CER ECJ0EC1H080C	[N]	
C244	4030017600	S.CER ECJ0EC1H080C	[A]	B 9.7/31.4
	4030017600	S.CER ECJ0EC1H080C	[M]	
C245	4550006780	S.TAN TEESVB2 0J 476M8R	B	5.6/18.7
C246	4030016930	S.CER ECJ0EB1A104K	B	104.2/52.7
C247	4030016930	S.CER ECJ0EB1A104K	B	106/54.6
C248	4030016930	S.CER ECJ0EB1A104K	B	107.6/52.4
C249	4030018900	S.CER ECJ0EB0J474K	B	121/47.2
C250	4030017630	S.CER ECJ0EC1H120J	T	120.4/39.9
C251	4030017380	S.CER ECJ0EC1H050B	[A]	B 66.3/65.9
	4030017380	S.CER ECJ0EC1H050B	[M]	
C252	4030017380	S.CER ECJ0EC1H050B	[J]	B 61/66.2
	4030017370	S.CER ECJ0EC1H3R5B	[N]	
C253	4030017420	S.CER ECJ0EC1H470J	B	65.1/70.5
C254	4030017730	S.CER ECJ0EB1E471K	B	69.9/71.1
C255	4030017420	S.CER ECJ0EC1H470J	B	63.2/65
C257	4030017530	S.CER ECJ0EC1H0R5B	[A]	B 70.2/66.9
	4030017530	S.CER ECJ0EC1H0R5B	[M]	
C258	4030017520	S.CER ECJ0EC1H0R3B	[J]	B 6.5/33.5
	4030017520	S.CER ECJ0EC1H0R3B	[N]	
C259	4030017460	S.CER ECJ0EB1E102K	B	16.4/42.4
C260	4030017530	S.CER ECJ0EC1H0R5B	[A]	B 9.5/35.7
	4030017530	S.CER ECJ0EC1H0R5B	[M]	
C261	4030017340	S.CER ECJ0EC1H010B	[B]	B 8.1/34.4
	4030017340	S.CER ECJ0EC1H010B	[N]	
C262	4030017460	S.CER ECJ0EB1E102K	B	9/36.9
C263	4030016790	S.CER ECJ0EB1C103K	B	5.4/36.4
C265	4030017420	S.CER ECJ0EC1H470J	B	6.9/40.3
C266	4030017460	S.CER ECJ0EB1E102K	B	7.3/39.4
C267	4030017460	S.CER ECJ0EB1E102K	B	69/71.1
C268	4030017360	S.CER ECJ0EC1H030B	B	72.3/69.4
C269	4030017550	S.CER ECJ0EC1H1R5B	B	73.5/66.9
C270	4030017580	S.CER ECJ0EC1H060C	[A]	B 71.1/70.5
	4030017580	S.CER ECJ0EC1H060C	[M]	
C271	4030017570	S.CER ECJ0EC1H070C	[J]	B 12.1/36.9
	4030017570	S.CER ECJ0EC1H070C	[N]	

[MAIN UNIT] (For IC-F6060 series)

REF NO.	PARTS NO.	DESCRIPTION	M.	H/V LOCATION
C271	4030017520	S.CER ECJ0EC1H0R3B	[A]	B 12.1/36.9
	4030017520	S.CER ECJ0EC1H0R3B	[M]	
	4030017530	S.CER ECJ0EC1H0R5B	[J]	
	4030017520	S.CER ECJ0EC1H0R3B	[B]	
C272	4030017520	S.CER ECJ0EC1H0R3B	[N]	12.2/43.3
	4030016930	S.CER ECJ0EB1A104K	B	
C273	4030016930	S.CER ECJ0EB1A104K	B	12.8/40.8
C274	4030017460	S.CER ECJ0EB1E102K	T	3.9/41
C275	4030017420	S.CER ECJ0EC1H470J	B	13.5/39.1
C276	4030017590	S.CER ECJ0EC1H070C	B	10/41.9
C277	4030017460	S.CER ECJ0EB1E102K	T	13.5/39.1
C278	4030017590	S.CER ECJ0EC1H070C	[A]	B 9.5/43.2
	4030017590	S.CER ECJ0EC1H070C	[M]	
C279	4030017590	S.CER ECJ0EC1H070C	[J]	B 6.7/45.2
	4030017600	S.CER ECJ0EC1H080C	[N]	
C280	4030017410	S.CER ECJ0EC1H240J	[A]	B 10/46.8
	4030017410	S.CER ECJ0EC1H240J	[M]	
C281	4030017410	S.CER ECJ0EC1H240J	[J]	95.5/35.9
	4030017390	S.CER ECJ0EC1H180J	[N]	
C282	4030017420	S.CER ECJ0EC1H470J	T	102.2/41.1
C283	4030017420	S.CER ECJ0EC1H470J	T	95.8/47
C284	4030017420	S.CER ECJ0EC1H470J	B	97.8/37.2
C285	4030017420	S.CER ECJ0EC1H470J	B	94.9/44.7
C286	4030017420	S.CER ECJ0EC1H470J	T	93.8/44.7
C287	4030017420	S.CER ECJ0EC1H470J	T	93.8/40
C288	4030017460	S.CER ECJ0EB1E102K	B	4.1/47.4
C289	4030017610	S.CER ECJ0EC1H090C	[A]	B 18.8/34.4
	4030017610	S.CER ECJ0EC1H090C	[M]	
C290	4030017600	S.CER ECJ0EC1H080C	[J]	T 73.9/75.6
	4030017600	S.CER ECJ0EC1H080C	[N]	
C291	4030017580	S.CER ECJ0EC1H060C	[A]	B 69.2/76.6
	4030017580	S.CER ECJ0EC1H060C	[M]	
C292	4030017570	S.CER ECJ0EC1H040B	T	70.3/76.6
C293	4030017420	S.CER ECJ0EC1H470J	B	58.4/69.9
C294	4030017460	S.CER ECJ0EB1E102K	B	58.4/67.9
C295	4030017410	S.CER ECJ0EC1H240J	B	6.7/48.4
C296	4030017410	S.CER ECJ0EC1H240J	[A]	B 9.5/50.4
	4030017410	S.CER ECJ0EC1H240J	[M]	
C297	4030017390	S.CER ECJ0EC1H180J	[J]	B 11.7/48.8
	4030017390	S.CER ECJ0EC1H180J	[N]	
C298	4030017390	S.CER ECJ0EC1H180J	[A]	B 4.1/44.7
	4030017390	S.CER ECJ0EC1H180J	[M]	
C299	4030017390	S.CER ECJ0EC1H180J	[J]	B 127.6/31.4
	4030017390	S.CER ECJ0EC1H180J	[N]	
C300	4030017590	S.CER ECJ0EC1H070C	B	90.5/43
C301	4030017590	S.CER ECJ0EC1H070C	[A]	T 27.6/79.2
	4030017590	S.CER ECJ0EC1H070C	[M]	
C302	4030017590	S.CER ECJ0EC1H070C	[J]	A 25.6/76.6
	4030017590	S.CER ECJ0EC1H070C	[N]	
C303	4030017600	S.CER ECJ0EC1H080C	[A]	T 25.6/76.6
	4030017600	S.CER ECJ0EC1H080C	[M]	
C304	4030017600	S.CER ECJ0EC1H080C	[J]	B 11.7/48.8
	4030017600	S.CER ECJ0EC1H080C	[N]	
C305	4030011050	S.CER GRM31M3C2H3R0CY21L (GRM42-6 CJ)	T	4.1/44.7
C306	4030011040	S.CER GRM31M4C2H2R0CY21L (GRM42-6 CK)	[A]	T 25.6/76.6
	4030011050	S.CER GRM31M3C2H3R0CY21L (GRM42-6 CJ)	[M]	
C307	4030011030	S.CER GRM31M4C2H1R5CY21L (GRM42-6 CK)	[J]	B 127.6/31.4
	4030011030	S.CER GRM31M4C2H1R5CY21L (GRM42-6 CK)	[B]	
C308	4030011040	S.CER GRM31M4C2H2R0CY21L (GRM42-6 CK)	[N]	T 25.6/73.8
	4030011040	S.CER GRM31M4C2H2R0CY21L (GRM42-6 CK)	[A]	
C309	4030011040	S.CER GRM31M4C2H2R0CY21L (GRM42-6 CK)	[M]	B 71.4/76.6
	4030011040	S.CER GRM31M4C2H2R0CY21L (GRM42-6 CK)	[J]	
C310	4030011020	S.CER GRM31M4C2H1R0CY21L (GRM42-6 CK)	[B]	51.8/83
	4030011020	S.CER GRM31M4C2H1R0CY21L (GRM42-6 CK)	[N]	
C311	4030011050	S.CER GRM31M3C2H3R0CY21L (GRM42-6 CJ)	[A]	T 27.6/71.2
	4030011040	S.CER GRM31M4C2H2R0CY21L (GRM42-6 CK)	[M]	
C312	4030011040	S.CER GRM31M4C2H2R0CY21L (GRM42-6 CK)	[J]	B 33.4/66.3
	4030011040	S.CER GRM31M4C2H2R0CY21L (GRM42-6 CK)	[N]	
C313	4030011040	S.CER GRM31M4C2H2R0CY21L (GRM42-6 CK)	[A]	B 57.6/63.6
	4030011040	S.CER GRM31M4C2H2R0CY21L (GRM42-6 CK)	[M]	
C314	4030011040	S.CER GRM31M4C2H2R0CY21L (GRM42-6 CK)	[J]	B 55.9/64.5
	4030011040	S.CER GRM31M4C2H2R0CY21L (GRM42-6 CK)	[N]	
C315	4030017460	S.CER ECJ0EB1E102K	[A]	B 55.8/70.1
	4030017460	S.CER ECJ0EB1E102K	[M]	
C316	4030016970	S.CER ECJ0EB1C103K	[J]	T 34.9/66.7
	4030016970	S.CER ECJ0EB1C103K	[N]	
C317	4030017460	S.CER ECJ0EB1E102K	[A]	B 45.3/66.9
	4030017460	S.CER ECJ0EB1E102K	[M]	
C318	4030017460	S.CER ECJ0EB1E102K	[J]	B 13.9/52.1
	4030017460	S.CER ECJ0EB1E102K	[N]	
C319	4030017510	S.CER ECJ0EC1H680J	[A]	B 16.5/48.8
	4030017460	S.CER ECJ0EB1E102K	[B]	
C320	4030017460	S.CER ECJ0EB1E102K	B	13.9/52.1
C321	4030017460	S.CER ECJ0EB1E102K	B	16.5/48.8

M.=Mounted side (T: Mounted on the Top side, B: Mounted on the Bottom side)
S.=Surface mount

[MAIN UNIT] (For IC-F6060 series)

REF NO.	PARTS NO.	DESCRIPTION	M.	H/V LOCATION
C322	4030017350	S.CER ECJ0EC1H020B	[A]	B 21.2/51.2
	4030017350	S.CER ECJ0EC1H020B	[M]	
	4030017350	S.CER ECJ0EC1H0R5B	[B]	
	4030017350	S.CER ECJ0EC1H0R5B	[N]	
C324	4030017420	S.CER ECJ0EC1H470J	T	90.1/41.7
C325	4030017460	S.CER ECJ0EB1E102K	T	73.2/67.6
C326	4030017420	S.CER ECJ0EC1H470J	B	40.5/67.3
C327	4030017460	S.CER ECJ0EB1E102K	B	83.9/79.3
C328	4030017420	S.CER ECJ0EC1H470J	B	82.9/79.3
C329	4030017400	S.CER ECJ0EC1H220J	B	81.9/79.3
C330	4510008540	S.ELE EEE1CA100SR	T	96.7/53.9
C331	4510008540	S.ELE EEE1CA100SR	T	60.6/55.1
C332	4030017780	S.CER ECJ0EB1E472K	B	53.5/66.1
C334	4030017460	S.CER ECJ0EB1E102K	B	50.8/70.2
C335	4030017460	S.CER ECJ0EB1E102K	B	48.7/69.4
C336	4030011030	S.CER GRM31M4C2H1R5CY21L (GRM42-6 CK)	[M]	T 14.3/56.9
	4030011030	S.CER GRM31M4C2H1R5CY21L (GRM42-6 CK)	[J]	
C337	4030017600	S.CER ECJ0EC1H080C	[A]	B 28.2/53.7
	4030017600	S.CER ECJ0EC1H080C	[M]	
	4030017600	S.CER ECJ0EC1H080C	[J]	
	4030017380	S.CER ECJ0EC1H050B	[B]	
	4030017380	S.CER ECJ0EC1H050B	[N]	
C338	4510008540	S.ELE EEE1CA100SR	T	79.1/69.1
C339	4030017460	S.CER ECJ0EB1E102K	T	79.1/62.1
C340	4030017460	S.CER ECJ0EB1E102K	T	63.5/55.5
C341	4030016790	S.CER ECJ0EB1C103K	T	68.1/52.3
C342	4030017200	S.CER GRM31BR32J102KY01L (GHM1030 R)	T	26.8/61.7
C343	4030011050	S.CER GRM31M3C2H3R0CY21L (GRM42-6 CJ)	[A]	T 23/63.3
	4030011050	S.CER GRM31M3C2H3R0CY21L (GRM42-6 CJ)	[M]	
	4030011050	S.CER GRM31M3C2H3R0CY21L (GRM42-6 CJ)	[J]	
C344	4030011040	S.CER GRM31M4C2H2R0CY21L (GRM42-6 CK)	[B]	T 20.9/63.3
	4030011040	S.CER GRM31M4C2H2R0CY21L (GRM42-6 CK)	[N]	
	4030011050	S.CER GRM31M3C2H3R0CY21L (GRM42-6 CJ)	T	
C345	4030011050	S.CER GRM31M3C2H3R0CY21L (GRM42-6 CJ)	[A]	T 18.3/58.5
	4030011060	S.CER GRM31M2C2H4R0CY21L (GRM42-6 CH)	[M]	
C346	4030011060	S.CER GRM31M2C2H4R0CY21L (GRM42-6 CH)	[J]	T 15.7/65.2
	4030011050	S.CER GRM31M3C2H3R0CY21L (GRM42-6 CJ)	[B]	
	4030011050	S.CER GRM31M3C2H3R0CY21L (GRM42-6 CJ)	[N]	
C347	4030017520	S.CER ECJ0EC1H0R3B	T	34.3/58.3
C348	4030017460	S.CER ECJ0EB1E102K	B	33.7/61.7
C349	4030011060	S.CER GRM31M2C2H4R0CY21L (GRM42-6 CH)	T	39.7/61.7
C350	4030011070	S.CER GRM31M2C2H5R0CY21L (GRM42-6 CH)	[A]	T 12.9/65.2
	4030011060	S.CER GRM31M2C2H4R0CY21L (GRM42-6 CH)	[M]	
	4030011060	S.CER GRM31M2C2H4R0CY21L (GRM42-6 CH)	[J]	
	4030011050	S.CER GRM31M3C2H3R0CY21L (GRM42-6 CJ)	[B]	
	4030011050	S.CER GRM31M3C2H3R0CY21L (GRM42-6 CJ)	[N]	
C351	4030016930	S.CER ECJ0EB1A104K	T	110.8/66.5
C352	4030017460	S.CER ECJ0EB1E102K	B	124.6/59.7
C353	4550006250	S.TAN TEESVA 1A 106M8R	B	124/61.1
C354	4550006250	S.TAN TEESVA 1A 106M8R	B	112.9/61.7
C355	4030017420	S.CER ECJ0EC1H470J	B	112.6/60.1
C356	4030011070	S.CER GRM31M2C2H5R0CY21L (GRM42-6 CH)	[A]	T 15.7/65.2
	4030011070	S.CER GRM31M2C2H5R0CY21L (GRM42-6 CH)	[M]	
	4030011070	S.CER GRM31M2C2H5R0CY21L (GRM42-6 CH)	[J]	
	4030011060	S.CER GRM31M2C2H4R0CY21L (GRM42-6 CH)	[B]	
	4030011060	S.CER GRM31M2C2H4R0CY21L (GRM42-6 CH)	[N]	
C357	4030011060	S.CER GRM31M2C2H4R0CY21L (GRM42-6 CH)	[A]	T 4.2/63.3
	4030011060	S.CER GRM31M2C2H4R0CY21L (GRM42-6 CH)	[M]	
	4030011060	S.CER GRM31M2C2H4R0CY21L (GRM42-6 CH)	[J]	
	4030011030	S.CER GRM31M4C2H1R5CY21L (GRM42-6 CK)	[B]	
	4030011030	S.CER GRM31M4C2H1R5CY21L (GRM42-6 CK)	[N]	
C358	4030009530	S.CER C1608 CH 1H 030B-T	B	10.7/61.4
C359	4030006860	S.CER C1608 JB 1H 102K-T	B	9.9/59.5
C360	4030017460	S.CER ECJ0EB1E102K	B	8.7/54
C361	4030017460	S.CER ECJ0EB1E102K	T	101.3/52.9
C362	4030017460	S.CER ECJ0EB1E102K	T	106.3/21.1
C363	4510008540	S.ELE EEE1CA100SR	T	139.1/31.9
C365	4550007650	S.TAN F931V105MAABMA	B	107.7/65.1
C366	4550007650	S.TAN F931V105MAABMA	B	105.6/65.1
C367	4550007650	S.TAN F931V105MAABMA	B	103.5/65.1
C368	4550007650	S.TAN F931V105MAABMA	B	101.4/65.1

[MAIN UNIT] (For IC-F6060 series)

REF NO.	PARTS NO.	DESCRIPTION	M.	H/V LOCATION
C369	4030011070	S.CER GRM31M2C2H5R0CY21L (GRM42-6 CH)	T	15.3/81.1
C370	4030011050	S.CER GRM31M3C2H3R0CY21L (GRM42-6 CJ)	[A]	T 5.3/81.1
	4030011060	S.CER GRM31M2C2H4R0CY21L (GRM42-6 CH)	[M]	
C371	4030011060	S.CER GRM31M2C2H4R0CY21L (GRM42-6 CH)	[J]	T 105.1/80.9
	4030011040	S.CER GRM31M4C2H2R0CY21L (GRM42-6 CK)	[B]	
C372	4030011040	S.CER GRM31M4C2H2R0CY21L (GRM42-6 CK)	[N]	T 110.5/84.5
	4030017460	S.CER ECJ0EB1E102K	B	
C372	4030006860	S.CER C1608 JB 1H 102K-T	B	2.9/80.8
C373	4030016790	S.CER ECJ0EB1C103K	B	8.3/79.6
C374	4030016930	S.CER ECJ0EB1A104K	B	130.6/51.7
C375	4030016930	S.CER ECJ0EB1A104K	B	132.8/51.3
C376	4030016930	S.CER ECJ0EB1A104K	B	132.4/54.6
C377	4030017460	S.CER ECJ0EB1E102K	T	104.7/52.9
C378	4030017460	S.CER ECJ0EB1E102K	T	105.1/80.9
C379	4030016930	S.CER ECJ0EB1A104K	B	110.5/84.5
C380	4030017460	S.CER ECJ0EB1E102K	T	120.9/85.3
C381	4030016790	S.CER ECJ0EB1C103K	B	135.9/70.5
C382	4510008680	S.ELE EEE1EA220SP	T	68.6/63.4
C383	4030017460	S.CER ECJ0EB1E102K	B	135.9/71.5
C384	4510008870	S.ELE EEE1AA471UP	T	129.9/64.9
C386	4030016930	S.CER ECJ0EB1A104K	B	138.8/53.7
C387	4030017730	S.CER ECJ0EB1E471K	B	135.4/51.3
C388	4030018860	S.CER ECJ0EB0J105K	B	138.7/52.2
C389	4030016930	S.CER ECJ0EB1A104K	B	139.1/48.5
C390	4030016930	S.CER ECJ0EB1A104K	B	137.8/55.4
C391	4030016930	S.CER ECJ0EB1A104K	T	107.6/80
C392	4030017460	S.CER ECJ0EB1E102K	B	127.8/76.8
C393	4030017460	S.CER ECJ0EB1E102K	B	98.3/79.2
C394	4030017420	S.CER ECJ0EC1H470J	B	115.4/68
C395	4030017460	S.CER ECJ0EB1E102K	B	126.5/77.2
C397	4030017460	S.CER ECJ0EB1E102K	B	100.8/86.3
C398	4030017420	S.CER ECJ0EC1H470J	B	99.8/86.3
C399	4030018860	S.CER ECJ0EB0J105K	B	134.5/34.8
C400	4030016930	S.CER ECJ0EB1A104K	B	136.9/37
C411	4510008780	S.ELE EEE1EA471P	T	117.2/63.6
C412	4510008780	S.ELE EEE1EA471P	T	132.7/54.3
C413	4030018900	S.CER ECJ0EB0J474K	B	135.1/46.8
C414	4510008540	S.ELE EEE1CA100SR	T	113.9/50.1
C415	4030016930	S.CER ECJ0EB1A104K	B	103/23.8
C416	4030016930	S.CER ECJ0EB1A104K	B	121/51.5
C417	4030016790	S.CER ECJ0EB1C103K	B	113.8/51.7
C418	4030017460	S.CER ECJ0EB1E102K	B	102.3/57.9
C419	4030016790	S.CER ECJ0EB1C103K	T	42.5/39.1
C420	4030017500	S.CER ECJ0EC1H560J	T	39.8/37.2
C421	4030016930	S.CER ECJ0EB1A104K	B	36.1/24.4
C422	4030016790	S.CER ECJ0EB1C103K	T	42.9/33
C423	4030007080	S.CER C1608 CH 1H 390J-T	T	33.6/38.9
C424	4030016930	S.CER ECJ0EB1A104K	T	33.6/41.2
C425	4030017460	S.CER ECJ0EB1E102K	B	134.8/66.1
C426	4030011030	S.CER GRM31M4C2H1R5CY21L (GRM42-6 CK)	[A]	T 29.2/75.2
4030011020	S.CER GRM31M4C2H1R0CY21L (GRM42-6 CK)	[M]		
4030011020	S.CER GRM31M4C2H1R0CY21L (GRM42-6 CK)	[J]	T 19.5/36.6	
4030011020	S.CER GRM31M4C2H1R0CY21L (GRM42-6 CK)	[B]		
C427	4030017530	S.CER ECJ0EC1H0R5B	[A]	B 19.5/36.6
	4030017530	S.CER ECJ0EC1H0R5B	[M]	
	4030017530	S.CER ECJ0EC1H0R5B	[J]	
	4030017340	S.CER ECJ0EC1H010B	[B]	
	4030017340	S.CER ECJ0EC1H010B	[N]	
	4030018110	S.CER ECJ0EB1H272K	T	
	4030016790	S.CER ECJ0EB1C103K	B	
C428	4030018110	S.CER ECJ0EB1H272K	T	24.6/10.2
C429	4030016790	S.CER ECJ0EB1C103K	B	138.4/51
C430	4030018860	S.CER ECJ0EB0J105K	B	110.4/10.7
C431	4030017460	S.CER ECJ0EB1E102K	B	114.2/11.7
C432	4030017420	S.CER ECJ0EC1H470J	B	119.4/69.8
C433	4030017460	S.CER ECJ0EB1E102K	B	119.4/70.8
C435	4030016930	S.CER ECJ0EB1A104K	T	8.9/7.8
C436	4030016930	S.CER ECJ0EB1A104K	B	56/38.5
J1	6510026770	S.CON AXK540147YG	T	124.5/9.7
J2	6510026770	S.CON AXK540147YG	T	101.5/9.7
J3	6510021301	S.CON 52365-1071	T	90.3/62.6
J5	6510023092	S.CON 20FLT-SM2-TB(LF)(SN)(M)	T	108.3/83.2
J7	6450000140	CON HSJ0807-01-010		
J10	6510023092	S.CON 20FLT-SM2-TB(LF)(SN)(M)	T	71/7
W1	7030012290	JUM RDS2TOR0		
W2	8900016250	CAB OPC-1701 <CMI>T/H!		
EP2	6910015370	S.BEA ACZ1005Y-102-T	B	60.4/28.3
EP3	6910015370	S.BEA ACZ1005Y-102-T	T	85.7/30
EP4	6910010280	BEA HF70BB9.5X10.4X4.9		
EP5	6910010280	BEA HF70BB9.5X10.4X4.9		
EP6	6910015370	S.BEA ACZ1005Y-102-T	T	79.6/41.5
EP7	6910011560	BEA HF70BB4.5X5X1.6		

M.=Mounted side (T: Mounted on the Top side, B: Mounted on the Bottom side)
S.=Surface mount

[FRONT UNIT]

REF NO.	PARTS NO.	DESCRIPTION	M.	H/V LOCATION
IC501	1130009121	S.IC S1D15206F00A200	B	33.1/19.5
IC502	1110005771	S.IC S-80942CNMC-G9CT2G	B	61.4/9.7
IC503	1140010771	S.IC HD64F3687FPV(EMPTY)	B	62.1/25.2
IC504	1130007111	S.IC TC7W04FU(TE12L,F)	B	73.9/26.3
IC505	1110005310	S.IC AN6123MS	B	10/8.4
IC506	1110005350	S.IC NJM2870F05-TE1-#FZZB	B	84.9/9.9
IC507	1130006221	S.IC TC4W53FU(TE12L,F)	B	6.5/19
IC508	1130008561	S.IC TC75S51F(TE85L,F)	B	74/11.3
Q501	1590001050	S.TRA DTC114TUA T106	B	15.1/32.9
Q502	1590001050	S.TRA DTC114TUA T106	B	18/32.9
Q503	1590001330	S.TRA DTA114EUA T106	B	77/24.7
Q504	1530002851	S.TRA 2SC4116-BL(TE85R,F)	B	91.5/22.4
Q505	1590001050	S.TRA DTC114TUA T106	B	92.5/18.8
Q506	1590000680	S.TRA DTC114EUA T106	B	77/27.4
Q507	1590001050	S.TRA DTC114TUA T106	B	51.4/30.2
D501	1750000370	S.DIO DA221 TL	T	3.5/27.1
D502	1750000370	S.DIO DA221 TL	T	3.5/25
D503	1750000370	S.DIO DA221 TL	T	3.5/22.9
D504	1790001261	S.DIO MA25077G0L	B	50.9/23.1
D505	1790001251	S.DIO MA251110GL	B	3.3/23.3
D506	1790001251	S.DIO MA251110GL	B	82.1/21.7
D507	1790001251	S.DIO MA251110GL	B	79.7/25.8
D508	1790000951	S.ZEN MAZ8056GML	T	4.8/19.7
D509	1790000951	S.ZEN MAZ8056GML	T	8.6/19.7
D510	1790000951	S.ZEN MAZ8056GML	T	10.4/19.7
X501	6050011720	S.XTA CR-764 SMD-49TB 19.6608 MHz <KDS>	B	49.6/18.9
L501	6200003640	S.COI MLF1608E 100K-T	B	12/19.1
R501	7030003810	S.RES ERJ3GEYJ 125 V (1.2M)	B	46/28.8
R502	7030003810	S.RES ERJ3GEYJ 125 V (1.2M)	B	46.6/23.8
R503	7310005510	S.TRI TMC3ADCS5X (470K)	B	45.5/26.3
R504	7030005120	S.RES ERJ2GEJ 102 X (1K)	B	8/29.3
R505	7030005120	S.RES ERJ2GEJ 102 X (1K)	B	10/29.3
R506	7030005120	S.RES ERJ2GEJ 102 X (1K)	B	12/29.3
R507	7030005010	S.RES ERJ2GEJ 681 X (680)	T	14.3/37.2
R508	7030005120	S.RES ERJ2GEJ 102 X (1K)	T	14.3/36.3
R509	7510001730	S.THE ERTJOEP 473J	B	59.9/17.1
R510	7030005120	S.RES ERJ2GEJ 102 X (1K)	B	61.1/17.1
R511	7030005530	S.RES ERJ2GEJ 100 X (10)	B	57.1/19.4
R512	7030008010	S.RES ERJ2GEJ 123 X (12K)	B	52/22.7
R513	7030005050	S.RES ERJ2GEJ 103 X (10K)	B	63.8/10.2
R514	7030005160	S.RES ERJ2GEJ 105 X (1M)	B	56.1/20.7
R515	7030008010	S.RES ERJ2GEJ 123 X (12K)	B	52.3/23.9
R516	7030008010	S.RES ERJ2GEJ 123 X (12K)	B	49.5/23.9
R517	7410001140	S.ARR EXB28V104JX	B	66.5/10.8
R518	7410001140	S.ARR EXB28V104JX	B	67.5/19.2
R519	7030005090	S.RES ERJ2GEJ 104 X (100K)	B	51.5/26.9
R520	7030005090	S.RES ERJ2GEJ 104 X (100K)	B	71.6/26.8
R522	7030005090	S.RES ERJ2GEJ 104 X (100K)	T	3.3/17.2
R523	7030004980	S.RES ERJ2GEJ 101 X (100)	B	13.2/10.9
R524	7030005090	S.RES ERJ2GEJ 104 X (100K)	B	71.6/28.4
R525	7030005240	S.RES ERJ2GEJ 473 X (47K)	B	80.2/27.7
R526	7030007300	S.RES ERJ2GEJ 332 X (3.3K)	B	79/24.4
R528	7030005090	S.RES ERJ2GEJ 104 X (100K)	B	71.7/24.1
R529	7030005090	S.RES ERJ2GEJ 104 X (100K)	B	82.1/19.6
R530	7030005160	S.RES ERJ2GEJ 105 X (1M)	B	5.4/10
R531	7030009280	S.RES ERJ2GEJ 391 X	B	92/20.6
R532	7030005120	S.RES ERJ2GEJ 102 X (1K)	B	91.4/24.2
R533	7030007290	S.RES ERJ2GEJ 222 X (2.2K)	B	91.4/25.2
R534	7030009140	S.RES ERJ2GEJ 272 X (2.7K)	B	90.6/20.2
R535	7030005090	S.RES ERJ2GEJ 104 X (100K)	B	82.4/31.4
R536	7030005050	S.RES ERJ2GEJ 103 X (10K)	B	77.8/22.9
R537	7030005090	S.RES ERJ2GEJ 104 X (100K)	T	7.2/19.2
R538	7030005090	S.RES ERJ2GEJ 104 X (100K)	T	6.2/19.2
R539	7030010040	S.RES ERJ2GEJ-JPW	B	76/15.9
R540	7030009290	S.RES ERJ2GEJ 562 X (5.6K)	B	4.3/10.9
R541	7030007290	S.RES ERJ2GEJ 222 X (2.2K)	B	3.3/16.6
R542	7030009160	S.RES ERJ2GEJ 181 X (180)	B	89.8/24.2
R543	7030009160	S.RES ERJ2GEJ 181 X (180)	B	89.8/25.2
R545	7030005240	S.RES ERJ2GEJ 473 X (47K)	T	11.8/19.2
R546	7210003050	VAR EVU-F2KFK3 B14 (10KB)		
R547	7030005120	S.RES ERJ2GEJ 102 X (1K)	T	11.8/17.2
R548	7030005120	S.RES ERJ2GEJ 102 X (1K)	T	6.8/17.2
R549	7030005120	S.RES ERJ2GEJ 102 X (1K)	T	9.3/17.2
R550	7030005240	S.RES ERJ2GEJ 473 X (47K)	B	10.9/19.4
R551	7030007300	S.RES ERJ2GEJ 332 X (3.3K)	B	11/5.8
R552	7030009280	S.RES ERJ2GEJ 391 X	[A]	10.1/5.8
	7030009280	S.RES ERJ2GEJ 391 X	[M]	
	7030009280	S.RES ERJ2GEJ 391 X	[J]	
	7030009280	S.RES ERJ2GEJ 391 X	[B]	
	7030009280	S.RES ERJ2GEJ 391 X	[N]	
	7030009280	S.RES ERJ2GEJ 391 X	[C]	
	7030009280	S.RES ERJ2GEJ 391 X	[O]	
	7030009280	S.RES ERJ2GEJ 391 X	[K]	
	7030009280	S.RES ERJ2GEJ 391 X	[D]	
	7030009280	S.RES ERJ2GEJ 391 X	[P]	
	7030008280	S.RES ERJ2GEJ 271 X (270)	[Q]	
	7030009280	S.RES ERJ2GEJ 391 X	[E]	
	7030009280	S.RES ERJ2GEJ 391 X	[F]	
	7030009280	S.RES ERJ2GEJ 391 X	[G]	
	7030009280	S.RES ERJ2GEJ 391 X	[L]	
	7030009280	S.RES ERJ2GEJ 391 X	[I]	
	7030009280	S.RES ERJ2GEJ 391 X	[H]	
	7030008280	S.RES ERJ2GEJ 271 X (270)	[R]	
R553	7030007290	S.RES ERJ2GEJ 222 X (2.2K)	B	75.2/8.7

[FRONT UNIT]

REF NO.	PARTS NO.	DESCRIPTION	M.	H/V LOCATION
R554	7030007290	S.RES ERJ2GEJ 222 X (2.2K)	[A]	B 71.4/12.4
	7030007290	S.RES ERJ2GEJ 222 X (2.2K)	[M]	
	7030007290	S.RES ERJ2GEJ 222 X (2.2K)	[J]	
	7030007290	S.RES ERJ2GEJ 222 X (2.2K)	[B]	
	7030007290	S.RES ERJ2GEJ 222 X (2.2K)	[N]	
	7030009140	S.RES ERJ2GEJ 272 X (2.7K)	[C]	
	7030009140	S.RES ERJ2GEJ 272 X (2.7K)	[O]	
	7030009140	S.RES ERJ2GEJ 272 X (2.7K)	[K]	
	7030009140	S.RES ERJ2GEJ 272 X (2.7K)	[D]	
	7030009140	S.RES ERJ2GEJ 272 X (2.7K)	[P]	
	7030009140	S.RES ERJ2GEJ 272 X (2.7K)	[Q]	
	7030009140	S.RES ERJ2GEJ 272 X (2.7K)	[E]	
	7030009140	S.RES ERJ2GEJ 272 X (2.7K)	[F]	
	7030009140	S.RES ERJ2GEJ 272 X (2.7K)	[G]	
	7030009140	S.RES ERJ2GEJ 272 X (2.7K)	[L]	
	7030009140	S.RES ERJ2GEJ 272 X (2.7K)	[I]	
	7030009140	S.RES ERJ2GEJ 272 X (2.7K)	[H]	
R555	7030005220	S.RES ERJ2GEJ 223 X (22K)	[A]	B 71.4/11.5
	7030005220	S.RES ERJ2GEJ 223 X (22K)	[M]	
	7030005220	S.RES ERJ2GEJ 223 X (22K)	[J]	
	7030005220	S.RES ERJ2GEJ 223 X (22K)	[B]	
	7030005220	S.RES ERJ2GEJ 223 X (22K)	[N]	
	7030008290	S.RES ERJ2GEJ 183 X (18K)	[C]	
	7030008290	S.RES ERJ2GEJ 183 X (18K)	[O]	
	7030008290	S.RES ERJ2GEJ 183 X (18K)	[K]	
	7030008290	S.RES ERJ2GEJ 183 X (18K)	[D]	
	7030008290	S.RES ERJ2GEJ 183 X (18K)	[P]	
	7030008290	S.RES ERJ2GEJ 183 X (18K)	[Q]	
	7030008290	S.RES ERJ2GEJ 183 X (18K)	[E]	
	7030008290	S.RES ERJ2GEJ 183 X (18K)	[F]	
	7030008290	S.RES ERJ2GEJ 183 X (18K)	[G]	
	7030008290	S.RES ERJ2GEJ 183 X (18K)	[L]	
	7030008290	S.RES ERJ2GEJ 183 X (18K)	[I]	
	7030008290	S.RES ERJ2GEJ 183 X (18K)	[H]	
R556	7030005050	S.RES ERJ2GEJ 103 X (10K)	[A]	B 73.2/8.7
R557	7030005050	S.RES ERJ2GEJ 103 X (10K)	[M]	B 71.8/10.2
R558	7030005060	S.RES ERJ2GEJ 333 X (33K)	[A]	B 74/13.5
	7030005060	S.RES ERJ2GEJ 333 X (33K)	[M]	
	7030005060	S.RES ERJ2GEJ 333 X (33K)	[J]	
	7030005060	S.RES ERJ2GEJ 333 X (33K)	[B]	
	7030005060	S.RES ERJ2GEJ 333 X (33K)	[N]	
	7030008010	S.RES ERJ2GEJ 123 X (12K)	[C]	
	7030008010	S.RES ERJ2GEJ 123 X (12K)	[O]	
	7030008010	S.RES ERJ2GEJ 123 X (12K)	[K]	
	7030008010	S.RES ERJ2GEJ 123 X (12K)	[D]	
	7030008010	S.RES ERJ2GEJ 123 X (12K)	[P]	
	7030008010	S.RES ERJ2GEJ 123 X (12K)	[Q]	
	7030008010	S.RES ERJ2GEJ 123 X (12K)	[E]	
	7030008010	S.RES ERJ2GEJ 123 X (12K)	[F]	
	7030008010	S.RES ERJ2GEJ 123 X (12K)	[G]	
	7030008010	S.RES ERJ2GEJ 123 X (12K)	[L]	
	7030008010	S.RES ERJ2GEJ 123 X (12K)	[I]	
	7030008010	S.RES ERJ2GEJ 123 X (12K)	[H]	
R559	7030005090	S.RES ERJ2GEJ 104 X (100K)	[A]	B 11/20.8
R560	7030005090	S.RES ERJ2GEJ 104 X (100K)	[M]	B 6.2/20.8
C501	4030016930	S.CER ECJ0EB1A104K	B	41.8/30.2
C502	4030016930	S.CER ECJ0EB1A104K	B	40.9/30.2
C503	4030016930	S.CER ECJ0EB1A104K	B	42.7/30.2
C504	4030016930	S.CER ECJ0EB1A104K	B	43.6/30.2
C505	4030016930	S.CER ECJ0EB1A104K	B	44.5/30.2
C506	4030017490	S.CER C1608 JB 1A 105K-T	B	44.7/23.2
C507	4030017460	S.CER ECJ0EB1E102K	B	46.1/22.7
C508	4030017490	S.CER C1608 JB 1A 105K-T	B	43.4/23.2
C509	4030017730	S.CER ECJ0EB1E471K	B	13.1/33.3
C510	4030017730	S.CER ECJ0EB1E471K	B	18.6/30.5
C511	4030016790	S.CER ECJ0EB1C103K	B	58.3/17.1
C512	4030016930	S.CER ECJ0EB1A104K	B	62/17.1
C513	4030017030	S.CER ECJ0EB1A273K	B	59.1/10.2
C514	4030016930	S.CER ECJ0EB1A104K	B	58.3/18.3
C515	4030017630	S.CER ECJ0EC1H120J	B	57.1/17.8
C516	4030017580	S.CER ECJ0EC1H060C	B	48.9/22.7
C517	4030016790	S.CER ECJ0EB1C103K	B	52.9/22.7
C518	4030017640	S.CER ECJ0EC1H150J	B	49.8/22.7
C519	4030016930	S.CER ECJ0EB1A104K	B	53.8/22.7
C520	4030017420	S.CER ECJ0EC1H470J	T	12.5/36.3
C521	4030017460	S.CER ECJ0EB1E102K	B	78.2/7.8
C522	4550006480	S.TAN TEESVA 1C 475M8R	B	87.7/9.8
C523	4550006250	S.TAN TEESVA 1A 106M8R	B	12.8/7.6
C524	4550006250	S.TAN TEESVA 1A 106M8R	B	7.2/7.6
C525	4030017330	S.CER ECJ0EF1C104Z	B	85.7/7.7
C526	4030016790	S.CER ECJ0EB1C103K	B	84.1/7.7
C527	4030017420	S.CER ECJ0EC1H470J	T	5.9/17.2
C528	4030017460	S.CER ECJ0EB1E102K	T	8.4/17.2
C529	4550006250	S.TAN TEESVA 1A 106M8R	B	82.1/9.8
C530	4030016930	S.CER ECJ0EB1A104K	B	84.1/12.1
C531	4030017460	S.CER ECJ0EB1E102K	B	79/22.5
C533	4030017460	S.CER ECJ0EB1E102K	B	80/22.5
C534	4030017420	S.CER ECJ0EC1H470J	B	76.2/22.9
C535	4030016930	S.CER ECJ0EB1A104K	B	5.4/9.1
C536	4030016930	S.CER ECJ0EB1A104K	B	3.3/18.2
C537	4030017460	S.CER ECJ0EB1E102K	B	14/25
C538	4030017330	S.CER ECJ0EF1C104Z	B	6/10.9
C539	4030017420	S.CER ECJ0EC1H470J	T	10.9/17.2
C540	4030017460	S.CER ECJ0EB1E102K	B	10.9/17.8
C541	4030017420	S.CER ECJ0EC1H470J	B	8.5/10.9
C543	4030017420	S.CER ECJ0EC1H470J	B	77.6/16.7
C544	4030017420	S.CER ECJ0EC1H470J	B	79.8/16.7
C545	4030017420	S.CER ECJ0EC1H470J	B	77.6/15.8
C546	4030017420	S.CER ECJ0EC1H470J	B	74/15.3
C547	4030017460	S.CER ECJ0EB1E102K	B	74/16.2
C548	4030017490	S.CER C1608 JB 1A 105K-T	B	9.7/19.3
C549	4030016930	S.CER ECJ0EB1A104K	B	3.7/21.2
C550	4030018900	S.CER ECJ0EB0J474K	B	70.1/11.9

M.=Mounted side (T:

[FRONT UNIT]

REF NO.	PARTS NO.	DESCRIPTION	M.	H/V LOCATION
C551	4030016930	S.CER ECJ0EB1A104K	B	70.9/10.2
C552	4030017460	S.CER ECJ0EB1E102K	B	75.2/6.9
C553	4030017460	S.CER ECJ0EB1E102K	B	71.4/13.3
C554	4030016790	S.CER ECJ0EB1C103K	B	74.2/8.7
C555	4030017460	S.CER ECJ0EB1E102K	[A] B	74/14.4
	4030017460	S.CER ECJ0EB1E102K	[M]	
	4030017460	S.CER ECJ0EB1E102K	[J]	
	4030017460	S.CER ECJ0EB1E102K	[B]	
	4030017460	S.CER ECJ0EB1E102K	[N]	
	4030018920	S.CER ECJ0EB1H392K	[C]	
	4030018920	S.CER ECJ0EB1H392K	[O]	
	4030018920	S.CER ECJ0EB1H392K	[K]	
	4030018920	S.CER ECJ0EB1H392K	[D]	
	4030018920	S.CER ECJ0EB1H392K	[P]	
	4030018920	S.CER ECJ0EB1H392K	[Q]	
	4030018920	S.CER ECJ0EB1H392K	[E]	
	4030018920	S.CER ECJ0EB1H392K	[F]	
	4030018920	S.CER ECJ0EB1H392K	[G]	
	4030018920	S.CER ECJ0EB1H392K	[L]	
	4030018920	S.CER ECJ0EB1H392K	[I]	
	4030018920	S.CER ECJ0EB1H392K	[H]	
C556	4550006480	S.TAN TEESVA 1C 475M8R	B	76.9/10.2
J501	6510022022	S.CON 14FLT-SM2-TB(LF)(SN)(M)	B	88/28.5
J502	6510023092	S.CON 20FLT-SM2-TB(LF)(SN)(M)	B	75.5/19.5
J503	6450002210	CON 3017-8821 <KIN>		
DS501	5030003020	LCD L6-0226TVM-3		
DS502	5040002670	S.LED CL-165HR/YG	T	18.2/35.9
DS503	5040002310	S.LED SML-311YTT86	T	32.8/6.5
DS504	5040002310	S.LED SML-311YTT86	T	46.1/6.3
DS505	5040002310	S.LED SML-311YTT86	T	59.8/6.3
DS506	5040002310	S.LED SML-311YTT86	T	92.3/24.5
DS507	5040002310	S.LED SML-311YTT86	T	73.1/6.5
DS508	5040002310	S.LED SML-311YTT86	T	31.7/26
DS509	5040002310	S.LED SML-311YTT86	T	40.2/26
DS510	5040002310	S.LED SML-311YTT86	T	48.7/26
DS511	5040002310	S.LED SML-311YTT86	T	74.2/26
DS512	5040002310	S.LED SML-311YTT86	T	65.7/26
DS513	5040002310	S.LED SML-311YTT86	T	57.2/26
SP501	2510001400	SPE 3050S-E6227 <PRI>		
W501	8900012711	CAB OPC-1297A (P0.5,N20,L62) <TJM>		
W502	7030012290	JUM RDS2T0R0		
W503	7030012290	JUM RDS2T0R0		
EP502	8930072220	LCD SRCN-2979-SP-N-W (SHJ)		

[CONNECT UNIT]

REF NO.	PARTS NO.	DESCRIPTION	M.	H/V LOCATION
C601	4030017420	S.CER ECJ0EC1H470J	T	12.7/4.6
C602	4030017420	S.CER ECJ0EC1H470J	T	15.4/4.6
C603	4030017420	S.CER ECJ0EC1H470J	T	18.2/4.6
C604	4030017420	S.CER ECJ0EC1H470J	T	19.6/4.6
C605	4030017420	S.CER ECJ0EC1H470J	T	20.9/4.6
C606	4030017420	S.CER ECJ0EC1H470J	T	25.1/4.6
C607	4030017420	S.CER ECJ0EC1H470J	T	37.5/13.2
C608	4030017420	S.CER ECJ0EC1H470J	T	16.8/4.6
C609	4030017420	S.CER ECJ0EC1H470J	T	40.3/13.2
C610	4030017420	S.CER ECJ0EC1H470J	T	41.7/4.6
J601	6510025242	S.CON IMSA-9631S-20Y930	[A] B	32.2/16.2
	6510025242	S.CON IMSA-9631S-20Y930	[M]	
	6510025242	S.CON IMSA-9631S-20Y930	[J]	
	6510025242	S.CON IMSA-9631S-20Y930	[B]	
	6510025242	S.CON IMSA-9631S-20Y930	[N]	
	6510025240	S.CON IMSA-9631S-20Y912	[C]	
	6510025242	S.CON IMSA-9631S-20Y930	[O]	
	6510025240	S.CON IMSA-9631S-20Y912	[K]	
	6510025240	S.CON IMSA-9631S-20Y912	[D]	
	6510025242	S.CON IMSA-9631S-20Y930	[P]	
	6510025242	S.CON IMSA-9631S-20Y930	[Q]	
	6510025242	S.CON IMSA-9631S-20Y930	[E]	
	6510025242	S.CON IMSA-9631S-20Y930	[F]	
	6510025240	S.CON IMSA-9631S-20Y912	[G]	
	6510025240	S.CON IMSA-9631S-20Y930	[L]	
	6510025242	S.CON IMSA-9631S-20Y930	[I]	
	6510025242	S.CON IMSA-9631S-20Y930	[H]	
	6510025242	S.CON IMSA-9631S-20Y930	[R]	
J602	6510023210	CON CD6125SA1J0 <CVI>		
W601	8900012711	CAB OPC-1297A (P0.5,N20,L62) <TJM>		

M.=Mounted side (T: Mounted on the Top side, B: Mounted on the Bottom side)
S.=Surface mount

[MAIN-A UNIT] (For MDC compatible versions)

REF NO.	PARTS NO.	DESCRIPTION	M.	H/V LOCATION
IC1	1110005340	S.IC NJM12902V-TE1-#ZZZB	T	82.3/12.9
IC2	1110006221	S.IC AK2346P-E2/P	B	44.7/11.7
IC3	1140013200	S.IC CD4053BPWR	B	58.7/9.3
IC4	1130010100	S.IC LM2352TMX/NOPB	T	83.3/46
IC5	1110003491	S.IC TA31136FNG(D,EL)	T	28/13.9
IC6	1190001350	S.IC M62364FP 600D	B	84.9/12.9
IC7	1110005340	S.IC NJM12902V-TE1-#ZZZB	T	107.3/43
IC8	1140013200	S.IC CD4053BPWR	B	58.7/16.1
IC9	1130012960	S.IC BU8872FS-E2	B	133.1/21.3
IC10	1190002051	S.IC SPM5001-TL-E	B	33.8/36.9
IC12	1190001340	S.IC M62334FP 600C	B	9.1/25.7
IC13	1110005771	S.IC S-80942CNMC-G9CT2G	B	126/44.8
IC14	1140014550	S.IC HD64F2506RFC26DV(EMPTY)	B	111.8/35.7
IC15	1150002211	IC RA55H4047M-121 [C]		
	1150002092	IC RA30H4047M-121 [O]		
	1150002092	IC RA30H4047M-121 [K]		
	1150002221	IC RA55H4452M-121 [D]		
	1150002032	IC RA30H4452M-121 [P]		
	1150002211	IC RA55H4047M-121 [E]		
	1150002211	IC RA55H4047M-121 [F]		
	1150002211	IC RA55H4047M-121 [G]		
	1150002092	IC RA30H4047M-121 [L]		
	1150002211	IC RA55H4047M-121 [I]		
	1150002221	IC RA55H4452M-121 [H]		
IC16	1140014160	S.IC 24LC1025T/SM <SEI>	B	133.3/29
IC17	1110002751	S.IC TA75S01F(TE85R,F)	B	55.8/66.7
IC18	1180000970	S.IC AN78L05M-(E1)	B	113/65.3
IC19	1120002510	S.IC DS14C232TMS	T	104.7/69
IC20	1180001251	S.IC TA7808F(TE16L,Q) [C]	B	121.5/65.8
	1180001251	S.IC TA7808F(TE16L,Q) [O]		
	1180001251	S.IC TA7808F(TE16L,Q) [K]		
	1180001251	S.IC TA7808F(TE16L,Q) [D]		
	1180001251	S.IC TA7808F(TE16L,Q) [P]		
	1180001251	S.IC TA7808F(TE16L,Q) [E]		
	1180001251	S.IC TA7808F(TE16L,Q) [F]		
	1180001252	S.IC TA7808F(TE16L1,NQ) [G]		
	1180001252	S.IC TA7808F(TE16L1,NQ) [L]		
	1180001251	S.IC TA7808F(TE16L,Q) [I]		
	1180001251	S.IC TA7808F(TE16L,Q) [H]		
IC21	1110003091	IC LA4425A-E		
IC22	1110002751	S.IC TA75S01F(TE85R,F)	B	135.5/54.4
IC23	1130006221	S.IC TC4W53FU(TE12L,F)	B	109.6/12.9
IC25	1110006230	S.IC NJM2711F-TE1-#ZZZB	B	30.1/7.1
Q1	1590003231	S.TRA UNR9113G0L	B	16.5/6.1
Q3	1530002851	S.TRA 2SC4116-BL(TE85R,F)	B	36.5/15.5
Q4	1590001650	S.TRA XP4601(TX)	B	92.8/12.4
Q5	1560000541	S.FET 2SK880-Y(T5RICOM,F)	B	81.3/41
Q6	1530002851	S.TRA 2SC4116-BL(TE85R,F)	B	50.6/28.4
Q7	1560000541	S.FET 2SK880-Y(T5RICOM,F)	B	82.4/30.6
Q8	1530002851	S.TRA 2SC4116-BL(TE85R,F)	B	79.3/37.8
Q9	1530002851	S.TRA 2SC4116-BL(TE85R,F)	B	82.1/35.4
Q10	1560001360	S.FET 2SK3019 TL	B	76.5/45.2
Q12	1530002601	S.TRA 2SC4215-O(TE85R,F)	T	26.8/19.2
Q16	1590003291	S.TRA UNR9213G0L	T	113.1/46.6
Q17	1530002920	S.TRA 2SC4226-T1 R25	T	61.1/42.8
Q18	1530002920	S.TRA 2SC4226-T1 R25	T	61.1/36.3
Q19	1530002920	S.TRA 2SC4226-T1 R25	T	60.7/28.9
Q20	1590003231	S.TRA UNR9113G0L	B	34.1/24.9
Q22	1530003311	S.TRA 2SC5107-O(TE85R,F)	T	56.7/33.6
Q23	1590001400	S.TRA XP1214(TX)	B	57.6/40.5
Q24	1590003291	S.TRA UNR9213G0L	B	55/40.5
Q25	1530004110	S.TRA MT3S37T(TE85L,F)	T	55.2/36.9
Q26	1590001400	S.TRA XP1214(TX)	B	56.6/33.5
Q27	1590003231	S.TRA UNR9113G0L	T	126.2/48.7
Q28	1590003291	S.TRA UNR9213G0L	B	123/46.1
Q29	1530003311	S.TRA 2SC5107-O(TE85R,F)	T	50.8/35.5
Q30	1530003311	S.TRA 2SC5107-O(TE85R,F)	B	64.3/62.9
Q31	1580000731	S.FET 3SK293(TE85L,F)	B	9.5/38.8
Q32	1560000841	S.FET 2SK1829(TE85R,F)	T	9.8/40.4
Q33	1530002851	S.TRA 2SC4116-BL(TE85R,F) [C]	B	47.3/66.2
	1530002851	S.TRA 2SC4116-BL(TE85R,F) [D]		
	1530002851	S.TRA 2SC4116-BL(TE85R,F) [E]		
	1530002851	S.TRA 2SC4116-BL(TE85R,F) [F]		
	1530002851	S.TRA 2SC4116-BL(TE85R,F) [G]		
	1530002851	S.TRA 2SC4116-BL(TE85R,F) [I]		
	1530002851	S.TRA 2SC4116-BL(TE85R,F) [H]		
Q34	1590003291	S.TRA UNR9213G0L	T	83/67.4
Q35	1520000460	S.TRA 2SB1132 T100 R	T	100.1/57.9
Q36	1590001190	S.TRA XP6501-(TX).AB	T	104.3/55.8
Q37	1540000550	S.TRA 2SD1664 T100Q	T	75.5/63.6
Q38	1510000920	S.TRA 2SA1577 T106 Q	T	64.9/54.1
Q39	1590003291	S.TRA UNR9213G0L	T	68.5/54.8
Q40	1590003291	S.TRA UNR9213G0L	T	103/52.9
Q41	1590001451	S.FET 2SJ144-GR (TE85R,F)	B	114.7/85.7
Q42	1590003291	S.TRA UNR9213G0L	B	131.7/43.6
Q43	1590000990	S.TRA DTC363EK T146	B	135.7/49
Q44	1590003291	S.TRA UNR9213G0L	T	108.9/20.3
Q45	1590003291	S.TRA UNR9213G0L	B	133.3/58.9
Q46	1590003291	S.TRA UNR9213G0L	T	119.2/85.6
Q47	1550000100	S.FET 2SJ377 (TE16L1,NQ)	B	131.3/71.5
Q48	1590003291	S.TRA UNR9213G0L	B	127.4/77.8
Q49	1530002851	S.TRA 2SC4116-BL(TE85R,F)	B	138.7/37.1
Q50	1530002601	S.TRA 2SC4215-O(TE85R,F)	T	40.2/39
Q51	1590003560	S.FET TPC6104 (TE85L,F)	B	133.6/63.4
Q52	1590003291	S.TRA UNR9213G0L	B	128.2/61.1
Q53	1530000372	S.TRA 2SC3356-T1B R (R24)	B	68.4/68
Q54	1590003291	S.TRA UNR9213G0L	B	51.9/67.1
Q55	1560001360	S.FET 2SK3019 TL	T	74.1/20.3
Q56	1560001360	S.FET 2SK3019 TL	T	24.7/7.2
Q57	1590003291	S.TRA UNR9213G0L	T	111.1/13.4
Q58	1530002851	S.TRA 2SC4116-BL(TE85R,F)	B	27/10.8
Q59	1590003291	S.TRA UNR9213G0L	B	96.1/10
Q60	1590003291	S.TRA UNR9213G0L	B	96.1/12.3

[MAIN-A UNIT] (For MDC compatible versions)

REF NO.	PARTS NO.	DESCRIPTION	M.	H/V LOCATION
D1	1750001070	S.DIO DAN235ETL	T	8.8/14.9
D2	1750001070	S.DIO DAN235ETL	T	22.5/7.7
D4	1790001261	S.DIO MA2S077G0L	T	52.5/43.6
D5	1790001261	S.DIO MA2S077G0L	T	52.5/41
D6	1750001070	S.DIO DAN235ETL	T	29.2/20.9
D7	1160000140	S.DIO DAP222 TL	T	59/13.8
D8	1750000711	S.VAR HVC350BTRF-E	T	68.2/42.7
D9	1750001150	S.VAR HVC383BTRF-E	T	70.5/44.7
D10	1750000711	S.VAR HVC350BTRF-E	T	68.2/36.2
D11	1750001150	S.VAR HVC383BTRF-E	T	70.5/38.2
D12	1750000711	S.VAR HVC350BTRF-E	T	68.2/29.7
D13	1750001150	S.VAR HVC383BTRF-E	T	70.5/31.7
D14	1720000570	S.VAR MA368(TX)	T	65.8/33.3
D15	1750000711	S.VAR HVC350BTRF-E	B	5.5/43.5
D16	1750000711	S.VAR HVC350BTRF-E	B	6.8/43.5
D17	1750000711	S.VAR HVC350BTRF-E	B	6.8/50.1
D18	1750000711	S.VAR HVC350BTRF-E	B	5.5/50.1
D19	1160000140	S.DIO DAP222 TL	B	120.3/17.6
D21	1750001070	S.DIO DAN235ETL	T	31.9/37.5
D22	1750000520	S.DIO DAN222TL	T	125.4/51
D23	1790001261	S.DIO MA2S077G0L	T	125/38.9
D24	1750000581	S.DIO 1SV307(TPH3,F)	B	50.8/47.1
D25	1790001261	S.DIO MA2S077G0L	B	48.3/46
D26	1750000711	S.VAR HVC350BTRF-E	B	14.1/36.1
D27	1750000711	S.VAR HVC350BTRF-E	B	10.7/34.4
D30	1750000711	S.VAR HVC350BTRF-E	B	18.3/36.2
D31	1790001251	S.DIO MA2S1110GL	T	6.2/42.2
D35	1790001261	S.DIO MA2S077G0L	B	20/50.9
D36	1790001241	S.DIO MA2S7280GL	B	11.9/50.8
D37	1750000370	S.DIO DA221 TL	T	75.2/68
D38	1750000511	S.DIO UX9401F-STD/TR <INT> [O]		31.2/66.7
	1750000511	S.DIO UX9401F-STD/TR <INT> [K]		
	1750000511	S.DIO UX9401F-STD/TR <INT> [P]		
	1750000511	S.DIO UX9401F-STD/TR <INT> [L]		
D39	1710001061	DIO L407CDB [C]		
	1710001061	DIO L407CDB [D]		
	1710001061	DIO L407CDB [E]		
	1710001061	DIO L407CDB [F]		
	1710001061	DIO L407CDB [G]		
	1710001061	DIO L407CDB [I]		
	1710001061	DIO L407CDB [H]		
D42	1750001360	S.DIO L709CER (9401)	T	26.5/58
D45	1750000520	S.DIO DAN222TL	T	91.8/57.5
D46	1750000520	S.DIO DAN222TL	T	89.6/57.5
D47	1790001211	S.DIO 1SS375-TL-E	T	37.7/61.7
D48	1750000520	S.DIO DAN222TL	B	95.5/55.5
D49	1790000661	S.DIO MA2J7280GL	B	8.9/57.1
D50	1750000370	S.DIO DA221 TL	B	98.8/66.5
D51	1790000661	S.DIO MA2J7280GL	B	5.2/79.3
D52	1750000520	S.DIO DAN222TL	B	132.6/40.8
D53	1790001251	S.DIO MA2S1110GL	B	133.3/47.3
D55	1750000370	S.DIO DA221 TL	B	98.8/63
D56	1750000370	S.DIO DA221 TL	B	96.7/63
D57	1750000370	S.DIO DA221 TL	B	96.7/66.5
D58	1750000520	S.DIO DAN222TL	B	101.2/83.1
D59	1750000520	S.DIO DAN222TL	B	101.2/81
D62	1790000700	DIO DSA3A1		
D63	1750000520	S.DIO DAN222TL	B	112.3/82.2
D65	1750000520	S.DIO DAN222TL	B	129.7/58.9
D66	1790001621	S.DIO 1SV308(TPL3,F)	T	29.5/36.7
D67	1790001621	S.DIO 1SV308(TPL3,F)	T	34.3/36.7
D68	1790001621	S.DIO 1SV308(TPL3,F)	T	28.7/23.3
D69	1790001621	S.DIO 1SV308(TPL3,F)	T	30/23.3
D70	1730002411	S.ZEN MAZ8200GHL	T	120/83.6
D71	1750000520	S.DIO DAN222TL	B	94.6/62.3
D72	1750000520	S.DIO DAN222TL	B	94.8/59.1
F11	2020002500	CER LT450GW <JJE>		
F12	2020002510	CER LTW450HT <JJE>		
F13	2030000500	S.MON DSF753SFBF 46.35 MHz (FL-401)	T	24.7/28.5
F14	2030000670	S.MON DSF753SFBF 46.35 MHz (FL-420)	T	35.6/28.4
F15	2040001440	S.LC NFE31PT152Z1E9L (NFM60R20T152)	B	94.5/77
F16	2040001440	S.LC NFE31PT152Z1E9L (NFM60R20T152)	B	94.5/73.7
F17	2040001440	S.LC NFE31PT152Z1E9L (NFM60R20T152) [C]	B	94.5/70.4
	2040001440	S.LC NFE31PT152Z1E9L (NFM60R20T152) [D]		
	2040001440	S.LC NFE31PT152Z1E9L (NFM60R20T152) [E]		
	2040001440	S.LC NFE31PT152Z1E9L (NFM60R20T152) [F]		
	2040001440	S.LC NFE31PT152Z1E9L (NFM60R20T152) [G]		
	2040001440	S.LC NFE31PT152Z1E9L (NFM60R20T152) [I]		
	2040001440	S.LC NFE31PT152Z1E9L (NFM60R20T152) [H]		
X1	6050012380	S.XTA CR-826 DSA535SD 15.3 MHz	T	86.1/34.6
X2	6050011730	S.XTA CR-765 SMD-49TA 3.6864 MHz <KDS>	T	48.6/12
X3	6070000300	S.DIS JTBM450CX24 <JJE>	T	37.1/10.3
X4	6050012320	S.XTA CR-818 SMD-49 A.194304 MHz <KDS>	T	139.1/21.9
X5	6050011720	S.XTA CR-764 SMD-49TB 19.6608 MHz <KDS>	T	120.4/44.4
L1	6200004660	S.COI MLF1608A 1R8K-T	B	80.7/52.1
L2	6200003540	S.COI MLF1608D R22K-T	B	34.4/14.7
L3	6200004480	S.COI MLF1608D R82K-T	B	29.6/16.2

M.=Mounted side (T: Mounted on the Top side, B: Mounted on the Bottom side)
S.=Surface mount

[MAIN-A UNIT] (For MDC compatible versions)

REF NO.	PARTS NO.	DESCRIPTION	M.	H/V LOCATION
L4	6200005671	S.COI ELJRE 12NGFA	T	54.4/43.9
L5	6200004741	S.COI NLV25T-1R2J	T	72.9/43.5
L6	6200004741	S.COI NLV25T-1R2J	T	70.4/41
L7	6200004741	S.COI NLV25T-1R2J	T	72.9/37
L8	6200004741	S.COI NLV25T-1R2J	T	72.9/30.5
L9	6200004741	S.COI NLV25T-1R2J	T	70.4/28
L10	6200013580	S.COI 0.30-0.9-4TR 5PER <COMO>	[C] T	67.1/44.7
	6200013580	S.COI 0.30-0.9-4TR 5PER <COMO>	[O]	
	6200013580	S.COI 0.30-0.9-4TR 5PER <COMO>	[K]	
	6200013580	S.COI 0.30-0.9-4TR 5PER <COMO>	[E]	
	6200013580	S.COI 0.30-0.9-4TR 5PER <COMO>	[F]	
	6200013580	S.COI 0.30-0.9-4TR 5PER <COMO>	[G]	
	6200013580	S.COI 0.30-0.9-4TR 5PER <COMO>	[L]	
	6200013580	S.COI 0.30-0.9-4TR 5PER <COMO>	[I]	
L12	6200013580	S.COI 0.30-0.9-4TR 5PER <COMO>	[C] T	67.1/38.2
	6200013580	S.COI 0.30-0.9-4TR 5PER <COMO>	[O]	
	6200013580	S.COI 0.30-0.9-4TR 5PER <COMO>	[K]	
	6200013580	S.COI 0.30-0.9-4TR 5PER <COMO>	[E]	
	6200013580	S.COI 0.30-0.9-4TR 5PER <COMO>	[F]	
	6200013580	S.COI 0.30-0.9-4TR 5PER <COMO>	[G]	
	6200013580	S.COI 0.30-0.9-4TR 5PER <COMO>	[L]	
	6200013580	S.COI 0.30-0.9-4TR 5PER <COMO>	[I]	
L13	6200004741	S.COI NLV25T-1R2J	T	70.4/34.5
L15	6200012390	S.COI 0.30-0.9-3TR 5.8N <COMO>	T	67.1/31.4
L16	6200010030	S.COI C2012C-15NG-A	[C] B	21.1/35.6
	6200010030	S.COI C2012C-15NG-A	[O]	
	6200010030	S.COI C2012C-15NG-A	[K]	
	6200010020	S.COI C2012C-12NG-A	[D]	
	6200010020	S.COI C2012C-12NG-A	[P]	
	6200010030	S.COI C2012C-15NG-A	[E]	
	6200010030	S.COI C2012C-15NG-A	[F]	
	6200010030	S.COI C2012C-15NG-A	[G]	
	6200010030	S.COI C2012C-15NG-A	[L]	
	6200010030	S.COI C2012C-15NG-A	[I]	
L17	6200004741	S.COI NLV25T-1R2J	T	57.7/30
	6200004741	S.COI NLV25T-1R2J	[O]	
	6200004741	S.COI NLV25T-1R2J	[K]	
	6200002851	S.COI NLV25T-R82J	[D]	
	6200002851	S.COI NLV25T-R82J	[P]	
	6200004741	S.COI NLV25T-1R2J	[E]	
	6200004741	S.COI NLV25T-1R2J	[F]	
	6200004741	S.COI NLV25T-1R2J	[G]	
	6200004741	S.COI NLV25T-1R2J	[L]	
	6200004741	S.COI NLV25T-1R2J	[I]	
	6200002851	S.COI NLV25T-R82J	[H]	
L18	6130003000	S.COI #617DB-1714=P3	B	39/36.2
L19	6130003000	S.COI #617DB-1714=P3	B	34.5/42.6
L20	6200005721	S.COI ELJRE 33NGFA	T	54.2/32.6
L21	6200005671	S.COI ELJRE 12NGFA	T	54.4/39.1
L22	6200005711	S.COI ELJRE 27NGFA	[C] B	40.2/46
	6200005711	S.COI ELJRE 27NGFA	[O]	
	6200005711	S.COI ELJRE 27NGFA	[K]	
	6200005691	S.COI ELJRE 18NGFA	[D]	
	6200005691	S.COI ELJRE 18NGFA	[P]	
	6200005711	S.COI ELJRE 27NGFA	[E]	
	6200005711	S.COI ELJRE 27NGFA	[F]	
	6200005711	S.COI ELJRE 27NGFA	[G]	
	6200005711	S.COI ELJRE 27NGFA	[L]	
	6200005711	S.COI ELJRE 27NGFA	[I]	
L23	6200005691	S.COI ELJRE 18NGFA	[C] B	42.9/46
	6200005711	S.COI ELJRE 27NGFA	[O]	
	6200005711	S.COI ELJRE 27NGFA	[K]	
	6200005691	S.COI ELJRE 18NGFA	[D]	
	6200005691	S.COI ELJRE 18NGFA	[P]	
	6200005711	S.COI ELJRE 27NGFA	[E]	
	6200005711	S.COI ELJRE 27NGFA	[F]	
	6200005711	S.COI ELJRE 27NGFA	[G]	
	6200005711	S.COI ELJRE 27NGFA	[L]	
	6200005711	S.COI ELJRE 27NGFA	[I]	
L24	6130003000	S.COI #617DB-1714=P3	B	27/36.2
L25	6200005711	S.COI ELJRE 27NGFA	T	50/38.4
L26	6200010030	S.COI C2012C-15NG-A	[C] B	15.9/35.6
	6200010030	S.COI C2012C-15NG-A	[O]	
	6200010030	S.COI C2012C-15NG-A	[K]	
	6200010020	S.COI C2012C-12NG-A	[D]	
	6200010020	S.COI C2012C-12NG-A	[P]	
	6200010030	S.COI C2012C-15NG-A	[E]	
	6200010030	S.COI C2012C-15NG-A	[F]	
	6200010030	S.COI C2012C-15NG-A	[G]	
	6200010030	S.COI C2012C-15NG-A	[L]	
	6200010030	S.COI C2012C-15NG-A	[I]	
L27	6200005711	S.COI ELJRE 27NGFA	B	65.2/65.4
L28	6200010030	S.COI C2012C-15NG-A	[C] B	7/36.7
	6200010030	S.COI C2012C-15NG-A	[O]	
	6200010020	S.COI C2012C-12NG-A	[D]	
	6200010020	S.COI C2012C-12NG-A	[P]	
	6200010030	S.COI C2012C-15NG-A	[E]	
	6200010030	S.COI C2012C-15NG-A	[F]	
	6200010030	S.COI C2012C-15NG-A	[G]	
	6200010030	S.COI C2012C-15NG-A	[L]	
	6200010030	S.COI C2012C-15NG-A	[I]	
L29	6200010020	S.COI C2012C-12NG-A	[H]	
	6200005641	S.COI ELJRE 6N8ZFZA	B	73.5/69

[MAIN-A UNIT] (For MDC compatible versions)

REF NO.	PARTS NO.	DESCRIPTION	M.	H/V LOCATION
L30	6200005691	S.COI ELJRE 18NGFA	[C] T	73.5/73.7
	6200005701	S.COI ELJRE 22NGFA	[O]	
	6200005701	S.COI ELJRE 22NGFA	[K]	
	6200005691	S.COI ELJRE 18NGFA	[D]	
	6200005691	S.COI ELJRE 18NGFA	[P]	
	6200005691	S.COI ELJRE 18NGFA	[E]	
	6200005691	S.COI ELJRE 18NGFA	[F]	
	6200005691	S.COI ELJRE 18NGFA	[G]	
	6200005701	S.COI ELJRE 22NGFA	[L]	
	6200005691	S.COI ELJRE 18NGFA	[I]	
L31	6200005691	S.COI ELJRE 18NGFA	[H] B	9.2/44.8
	6200010210	S.COI C2012C-22NG-A	[C]	
	6200010210	S.COI C2012C-22NG-A	[O]	
	6200010210	S.COI C2012C-22NG-A	[K]	
	6200009980	S.COI C2012C-18NG-A	[D]	
	6200009980	S.COI C2012C-18NG-A	[P]	
	6200010210	S.COI C2012C-22NG-A	[E]	
	6200010210	S.COI C2012C-22NG-A	[F]	
	6200010210	S.COI C2012C-22NG-A	[G]	
	6200010210	S.COI C2012C-22NG-A	[L]	
	6200010210	S.COI C2012C-22NG-A	[I]	
L32	6200009980	S.COI C2012C-18NG-A	[H] B	9.2/48.8
	6200010210	S.COI C2012C-22NG-A	[C]	
	6200010210	S.COI C2012C-22NG-A	[O]	
	6200009980	S.COI C2012C-18NG-A	[D]	
	6200010210	S.COI C2012C-22NG-A	[E]	
	6200010210	S.COI C2012C-22NG-A	[F]	
	6200010210	S.COI C2012C-22NG-A	[G]	
	6200010210	S.COI C2012C-22NG-A	[L]	
	6200009980	S.COI C2012C-18NG-A	[I]	
L33	6200010150	S.COI AS080340-15N	T	32.6/75.2
L34	6200010100	S.COI C2012C-33NG-A	B	13.7/50
L35	6200005691	S.COI ELJRE 18NGFA	[C] B	23/50.7
	6200005691	S.COI ELJRE 18NGFA	[O]	
	6200005691	S.COI ELJRE 18NGFA	[K]	
	6200006771	S.COI ELJRE 1N5ZFZA	[D]	
	6200006771	S.COI ELJRE 1N5ZFZA	[P]	
	6200005691	S.COI ELJRE 18NGFA	[E]	
	6200005691	S.COI ELJRE 18NGFA	[F]	
	6200005691	S.COI ELJRE 18NGFA	[G]	
	6200005691	S.COI ELJRE 18NGFA	[L]	
	6200006771	S.COI ELJRE 1N5ZFZA	[I]	
L36	6200010420	S.COI FHW1210HC 1R0JGT <JJE>	B	31.2/68
L37	6200010150	S.COI AS080340-15N	T	30.3/58.1
L38	6200010150	S.COI AS080340-15N	T	22.2/58.3
L39	6200010150	S.COI AS080340-15N	T	14.3/60.3
L40	6200010150	S.COI AS080340-15N	T	10.3/82.4
L41	6200002861	S.COI NLV25T-4R7J	T	111.3/55.1
L42	6200005011	S.COI NLV25T-100J	T	40.1/41.6
L43	6200010680	S.COI C2520C-R22G-A (0.22U)	T	41.2/35.1
L44	6200010740	S.COI C2520C-R27G-A	T	35.9/39.5
L45	6200010150	S.COI AS080340-15N	T	6.4/58.3
L46	6200005711	S.COI ELJRE 27NGFA	B	71.1/68.8
L47	6200012390	S.COI 0.30-0.92-3TR 5.8N <COMO>	[D] T	65.1/44.7
	6200012390	S.COI 0.30-0.92-3TR 5.8N <COMO>	[P]	
	6200012390	S.COI 0.30-0.92-3TR 5.8N <COMO>	[H]	
L48	6200012390	S.COI 0.30-0.92-3TR 5.8N <COMO>	[D] T	65.1/38.2
	6200012390	S.COI 0.30-0.92-3TR 5.8N <COMO>	[P]	
	6200012390	S.COI 0.30-0.92-3TR 5.8N <COMO>	[H]	
L49	6200004480	S.COI MLF1608D R82K-T	T	23.3/19.4
R1	7030005060	S.RES ERJ2GEJ 333 X (33K)	B	38.6/6
R2	7510001730	S.THE ERTJOEP 473J	T	89.3/32.2
R3	7030005050	S.RES ERJ2GEJ 103 X (10K)	T	78.5/11.6
R4	7030005230	S.RES ERJ2GEJ 334 X (330K)	B	88.8/18.5
R5	7030005090	S.RES ERJ2GEJ 104 X (100K)	T	89.8/33.5
R6	7030005700	S.RES ERJ2GEJ 274 X (270K)	T	87.7/19.4
R7	7030005230	S.RES ERJ2GEJ 334 X (330K)	T	84.3/17.5
R8	7410001130	S.ARR EXB28V102JX	T	86.9/52.4
R9	7030007570	S.RES ERJ2GEJ 122 X (1.2K)	B	35.4/11.4
R10	7030007060	S.RES ERJ2GEJ 684X (680K)	B	35.8/13.7
R11	7030010040	S.RES ERJ2GEJ-JPW	T	9.3/12.9
R12	7030004970	S.RES ERJ2GEJ 470 X (47)	T	34.1/6.4
R13	7030007340	S.RES ERJ2GEJ 153 X (15K)	T	8.9/16.5
R14	7030007340	S.RES ERJ2GEJ 153 X (15K)	T	9.3/9.3
R15	7030005070	S.RES ERJ2GEJ 683 X (68K)	B	93.3/14.4
R17	7030007570	S.RES ERJ2GEJ 122 X (1.2K)	B	93.3/15.3
R18	7030008300	S.RES ERJ2GEJ 184 X (180K)	B	81.7/7.3
R19	7030005230	S.RES ERJ2GEJ 334 X (330K)	T	86.3/9.9
R20	7030005090	S.RES ERJ2GEJ 104 X (100K)	T	77.9/8.2
R21	7030005070	S.RES ERJ2GEJ 683 X (68K)	T	88.5/8.9
R22	7030005050	S.RES ERJ2GEJ 103 X (10K)	B	38.6/7.7
R23	7030005050	S.RES ERJ2GEJ 103 X (10K)	B	38.6/9.4
R24	7030005060	S.RES ERJ2GEJ 333 X (33K)	B	37.7/10.7
R25	7030005120	S.RES ERJ2GEJ 102 X (1K)	B	101/51.6
R26	7030004980	S.RES ERJ2GEJ 101 X (100)	B	96/5.4
R27	7030007300	S.RES ERJ2GEJ 332 X (3.3K)	T	53.9/5.6
R28	7030010040	S.RES ERJ2GEJ-JPW	T	59.6/5.4
R29	7030005530	S.RES ERJ2GEJ 100 X (10)	T	114.5/10.2
R30	7030005170	S.RES ERJ2GEJ 474 X (470K)	B	37.7/9.4
R31	7030008410	S.RES ERJ2GEJ 392 X (3.9K)	B	36.8/9
R32	7030007340	S.RES ERJ2GEJ 153 X (15K)	B	37.7/7.7
R33	7030005160	S.RES ERJ2GEJ 105 X (1M)	T	81/8.4
R34	7030005040	S.RES ERJ2GEJ 472 X (4.7K)	T	79/10
R35	7030005120	S.RES ERJ2GEJ 102 X (1K)	T	81.5/7.2
R36	7030007270	S.RES ERJ2GEJ 151 X (150)	B	25.8/14.4
R37	7030005210	S.RES ERJ2GEJ 822 X (8.2K)	B	15/7.3
R38	7030007340	S.RES ERJ2GEJ 153 X (15K)	T	22.9/5.7
R39	7030007340	S.RES ERJ2GEJ 153 X (15K)	T	22.3/9.3
R40	7030005240	S.RES ERJ2GEJ 473 X (47K)	T	26.9/10.6

M.=Mounted side (T: Mounted on the Top side, B: Mounted on the Bottom side)
S.=Surface mount

[MAIN-A UNIT] (For MDC compatible versions)

REF NO.	PARTS NO.	DESCRIPTION	M.	H/V LOCATION
R41	7030007290	S.RES ERJ2GEJ 222 X (2.2K)	T	26.6/5.5
R42	7030005090	S.RES ERJ2GEJ 104 X (100K)	B	94.6/11.8
R43	7030007300	S.RES ERJ2GEJ 332 X (3.3K)	B	94.6/10
R44	7030007340	S.RES ERJ2GEJ 153 X (15K)	B	90.8/12.9
R45	7030005220	S.RES ERJ2GEJ 223 X (22K)	B	91.6/10
R46	7030005040	S.RES ERJ2GEJ 472 X (4.7K)	T	90.5/13.7
R47	7030005050	S.RES ERJ2GEJ 103 X (10K)	T	90.9/12.7
R48	7030005060	S.RES ERJ2GEJ 333 X (33K)	B	51.1/8.1
R49	7030005160	S.RES ERJ2GEJ 105 X (1M)	B	49.9/13.6
R50	7030005090	S.RES ERJ2GEJ 104 X (100K)	B	49.9/11
R51	7030005290	S.RES ERJ2GEJ 682 X (6.8K)	T	52.6/8.6
R52	7030007340	S.RES ERJ2GEJ 153 X (15K)	B	63.3/12.6
R53	7030005000	S.RES ERJ2GEJ 471 X (47K)	T	84.4/38.2
R54	7030005120	S.RES ERJ2GEJ 102 X (1K)	B	81.3/43.4
R55	7030007290	S.RES ERJ2GEJ 222 X (2.2K)	B	83.5/26.5
R56	7030004980	S.RES ERJ2GEJ 101 X (100)	B	81.6/39.1
R57	7030005090	S.RES ERJ2GEJ 104 X (100K)	B	28/14.3
R58	7030004980	S.RES ERJ2GEJ 101 X (100)	T	27/8.2
R59	7030008290	S.RES ERJ2GEJ 183 X (18K)	T	27/7.3
R60	7030005000	S.RES ERJ2GEJ 471 X (47K)	T	30.9/9.7
R61	7030005040	S.RES ERJ2GEJ 472 X (4.7K)	T	28.4/8.5
R63	7030005220	S.RES ERJ2GEJ 223 X (22K)	B	91.6/8.3
R64	7030005220	S.RES ERJ2GEJ 223 X (22K)	B	91.6/6.6
R65	7030005090	S.RES ERJ2GEJ 104 X (100K)	B	51.1/9
R67	7030005290	S.RES ERJ2GEJ 682 X (6.8K)	T	53.5/8.6
R68	7030007290	S.RES ERJ2GEJ 222 X (2.2K)	B	53.7/17.7
R69	7030010040	S.RES ERJ2GEJ-JPW	T	85.6/16.8
R71	7030005090	S.RES ERJ2GEJ 104 X (100K)	T	54.5/8.6
R72	7030007290	S.RES ERJ2GEJ 222 X (2.2K)	B	50.9/30.2
R73	7030004980	S.RES ERJ2GEJ 101 X (100)	B	80.3/29.7
R74	7030007570	S.RES ERJ2GEJ 122 X (1.2K)	B	83.1/27.8
R75	7030005290	S.RES ERJ2GEJ 682 X (6.8K)	B	82.6/42.4
R76	7030005050	S.RES ERJ2GEJ 103 X (10K)	B	82.4/33
R77	7030005580	S.RES ERJ2GEJ 560 X (56)	B	83.2/48
R78	7030005220	S.RES ERJ2GEJ 223 X (22K)	B	81.6/37.3
R79	7030007340	S.RES ERJ2GEJ 153 X (15K)	T	51.1/42.8
R80	7030007340	S.RES ERJ2GEJ 153 X (15K)	T	51.1/41.8
R81	7030005090	S.RES ERJ2GEJ 104 X (100K)	B	74.9/45.2
R82	7030005110	S.RES ERJ2GEJ 224 X (220K)	B	71.7/27.3
R83	7030008400	S.RES ERJ2GEJ 182 X (1.8K)	T	32.4/10.6
R85	7030005110	S.RES ERJ2GEJ 224 X (220K)	B	25/19.2
R87	7030007300	S.RES ERJ2GEJ 332 X (3.3K)	T	30.5/19.3
R88	7030005120	S.RES ERJ2GEJ 102 X (1K)	B	90.7/6.6
R90	7030005000	S.RES ERJ2GEJ 471 X (47K)	B	89.8/18.5
R91	7030005230	S.RES ERJ2GEJ 334 X (330K)	T	86.4/22.8
R93	7030005310	S.RES ERJ2GEJ 124 X (120K)	T	83.9/8.4
R94	7030005080	S.RES ERJ2GEJ 823 X (82K)	T	106.7/36.7
R95	7030005720	S.RES ERJ2GEJ 563 X (56K)	T	106.3/35.7
R96	7030005240	S.RES ERJ2GEJ 473 X (47K)	B	63.7/15.1
R97	7030005060	S.RES ERJ2GEJ 333 X (33K)	B	52.2/12.7
R98	7030005030	S.RES ERJ2GEJ 152 X (1.5K)	B	63.7/18.9
R99	7030005240	S.RES ERJ2GEJ 473 X (47K)	B	63.7/18
R100	7030005800	S.RES RR0510P-102-D (1K)	B	84.4/32.4
R101	7030007280	S.RES ERJ2GEJ 331 X (33K)	B	80.1/32.9
R102	7030005530	S.RES ERJ2GEJ 100 X (10)	T	23/21.3
R103	7030005600	S.RES ERJ2GEJ 273 X (27K)	T	28.7/25.5
R104	7030007280	S.RES ERJ2GEJ 331 X (33K)	T	25/22.5
R105	7030005600	S.RES ERJ2GEJ 273 X (27K)	B	32.4/24.2
R106	7030007270	S.RES ERJ2GEJ 151 X (15K)	T	33.9/22.5
R108	7030005240	S.RES ERJ2GEJ 473 X (47K)	B	81.9/28.9
R109	7030005700	S.RES ERJ2GEJ 274 X (270K)	B	81/18.9
R110	7030005050	S.RES ERJ2GEJ 103 X (10K)	T	78.4/20.2
R111	7030005050	S.RES ERJ2GEJ 103 X (10K)	T	96.2/28.5
R112	7030005700	S.RES ERJ2GEJ 274 X (270K)	T	81.7/20.2
R113	7030005240	S.RES ERJ2GEJ 473 X (47K)	B	57.4/19.5
R114	7030005090	S.RES ERJ2GEJ 104 X (100K)	B	54.1/13.4
R115	7030005090	S.RES ERJ2GEJ 104 X (100K)	T	113.7/17.8
R116	7030005090	S.RES ERJ2GEJ 104 X (100K)	B	78.4/15.1
R117	7030005050	S.RES ERJ2GEJ 103 X (10K)	B	81.6/38.2
R118	7030005700	S.RES ERJ2GEJ 274 X (270K)	T	88.5/9.9
	7030005700	S.RES ERJ2GEJ 274 X (270K)	[C]	
	7030005700	S.RES ERJ2GEJ 274 X (270K)	[O]	
	7030005700	S.RES ERJ2GEJ 274 X (270K)	[K]	
	7030005230	S.RES ERJ2GEJ 334 X (330K)	[D]	
	7030005230	S.RES ERJ2GEJ 334 X (330K)	[P]	
	7030005700	S.RES ERJ2GEJ 274 X (270K)	[E]	
	7030005700	S.RES ERJ2GEJ 274 X (270K)	[F]	
	7030005700	S.RES ERJ2GEJ 274 X (270K)	[G]	
	7030005700	S.RES ERJ2GEJ 274 X (270K)	[L]	
	7030005700	S.RES ERJ2GEJ 274 X (270K)	[I]	
	7030005230	S.RES ERJ2GEJ 334 X (330K)	[H]	
R120	7030007280	S.RES ERJ2GEJ 331 X (33K)	T	26.5/34.4
R122	7030005600	S.RES ERJ2GEJ 273 X (27K)	T	28.8/35.2
R123	7030005600	S.RES ERJ2GEJ 273 X (27K)	T	34.1/35.2
R125	7030007270	S.RES ERJ2GEJ 151 X (15K)	T	36.4/34.4
R127	7030005050	S.RES ERJ2GEJ 103 X (10K)	B	78.2/18.7
R128	7030005240	S.RES ERJ2GEJ 473 X (47K)	T	111.5/45.4
R129	7030005040	S.RES ERJ2GEJ 472 X (4.7K)	T	111.1/44.5
R130	7030005070	S.RES ERJ2GEJ 683 X (68K)	T	103.5/41.8
R131	7030005070	S.RES ERJ2GEJ 683 X (68K)	T	103.5/43.6
R132	7030004980	S.RES ERJ2GEJ 101 X (100)	T	113.8/16.5
R133	7030005090	S.RES ERJ2GEJ 104 X (100K)	T	109.6/11.8
R134	7030005160	S.RES ERJ2GEJ 105 X (1M)	T	129.8/25.5
R135	7030005160	S.RES ERJ2GEJ 105 X (1M)	T	129.8/24.2
R136	7030005160	S.RES ERJ2GEJ 105 X (1M)	T	129.8/22.9
R138	7030005530	S.RES ERJ2GEJ 100 X (10)	T	63.8/31.3
R139	7410001140	S.ARR EXB28V104JX	T	133.8/19.8
R140	7030006020	S.RES RR0510P-682-D (6.8K)	T	62.9/44.3
R141	7030006020	S.RES RR0510P-682-D (6.8K)	T	62.9/42.6
R143	7030006020	S.RES RR0510P-682-D (6.8K)	T	62.9/37.8
R144	7030006020	S.RES RR0510P-682-D (6.8K)	T	62.9/36.1
R146	7030006020	S.RES RR0510P-682-D (6.8K)	T	62.9/31.3
R147	7030006020	S.RES RR0510P-682-D (6.8K)	T	62.9/29.6
R148	7030009320	S.RES ERJ2GEJ 4R7 X (4.7)	T	61.6/30.9
R149	7030005110	S.RES ERJ2GEJ 224 X (220K)	B	65.1/32.6
R150	7030008290	S.RES ERJ2GEJ 183 X (18K)	B	79.2/28.2

[MAIN-A UNIT] (For MDC compatible versions)

REF NO.	PARTS NO.	DESCRIPTION	M.	H/V LOCATION
R151	7030005220	S.RES ERJ2GEJ 223 X (22K)	[C]	B 80.5/27.8
	7030005220	S.RES ERJ2GEJ 223 X (22K)	[O]	
	7030005220	S.RES ERJ2GEJ 223 X (22K)	[K]	
	7030008290	S.RES ERJ2GEJ 183 X (18K)	[D]	
	7030008290	S.RES ERJ2GEJ 183 X (18K)	[P]	
	7030005220	S.RES ERJ2GEJ 223 X (22K)	[E]	
	7030005220	S.RES ERJ2GEJ 223 X (22K)	[F]	
	7030005220	S.RES ERJ2GEJ 223 X (22K)	[G]	
	7030005220	S.RES ERJ2GEJ 223 X (22K)	[L]	
	7030005220	S.RES ERJ2GEJ 223 X (22K)	[I]	
	7030008290	S.RES ERJ2GEJ 183 X (18K)	[H]	
R152	7030005090	S.RES ERJ2GEJ 104 X (100K)	B	81.8/28.2
R153	7030007300	S.RES ERJ2GEJ 332 X (3.3K)	T	36.4/42.1
R154	7030004970	S.RES ERJ2GEJ 107 X (47)	T	42.9/40
R155	7030007290	S.RES ERJ2GEJ 222 X (2.2K)	T	39.9/33
R156	7030004970	S.RES ERJ2GEJ 107 X (47)	T	42.3/41.2
R157	7030005090	S.RES ERJ2GEJ 104 X (100K)	B	30.1/24.9
R158	7030005240	S.RES ERJ2GEJ 473 X (47K)	T	111.1/42.7
R159	7030005240	S.RES ERJ2GEJ 473 X (47K)	T	111.5/40.9
R160	7030005240	S.RES ERJ2GEJ 473 X (47K)	T	113.7/39.9
R161	7030005070	S.RES ERJ2GEJ 683 X (68K)	T	105.4/48.4
R162	7030005240	S.RES ERJ2GEJ 473 X (47K)	T	127.8/16.3
R163	7030005240	S.RES ERJ2GEJ 473 X (47K)	T	128.7/17.2
R164	7030005240	S.RES ERJ2GEJ 473 X (47K)	T	129.6/16.3
R165	7030005230	S.RES ERJ2GEJ 334 X (330K)	T	129.8/21.6
R166	7030005230	S.RES ERJ2GEJ 334 X (330K)	T	129.8/20.3
R167	7030005230	S.RES ERJ2GEJ 334 X (330K)	T	129.8/19
R168	7030011180	S.RES RR0510P-391-D (390)	B	58.5/42.6
R169	7030011180	S.RES RR0510P-391-D (390)	B	58.5/38.4
R170	7030009820	S.RES RR0510P-681-D (680)	B	55.7/31.5
R171	7030005310	S.RES ERJ2GEJ 124 X (120K)	T	57/31.8
R172	7030008280	S.RES ERJ2GEJ 271 X (27K)	B	37.5/44.6
R173	7030007270	S.RES ERJ2GEJ 151 X (15K)	B	40/32.8
R176	7030005590	S.RES ERJ2GEJ 680 X (68)	B	31.3/37.4
R177	7030005590	S.RES ERJ2GEJ 680 X (68)	B	31.3/35
R178	7030005240	S.RES ERJ2GEJ 473 X (47K)	T	113.7/38.9
R179	7030008300	S.RES ERJ2GEJ 184 X (180K)	T	117.1/34.6
R180	7030005720	S.RES ERJ2GEJ 563 X (56K)	T	117.5/35.6
R181	7030005220	S.RES ERJ2GEJ 223 X (22K)	T	117.1/36.6
R182	7030005120	S.RES ERJ2GEJ 102 X (1K)	T	117.5/33.6
R183	7030005070	S.RES ERJ2GEJ 683 X (68K)	T	103.7/48.4
R184	7030005220	S.RES ERJ2GEJ 223 X (22K)	T	115.4/36.6
R185	7030005070	S.RES ERJ2GEJ 683 X (68K)	B	102.3/45.6
R186	7030005160	S.RES ERJ2GEJ 105 X (1M)	T	81.3/19.3
R187	7030005060	S.RES ERJ2GEJ 333 X (33K)	T	81.3/17.5
R188	7030005090	S.RES ERJ2GEJ 104 X (100K)	T	78.9/14.6
R189	7030005720	S.RES ERJ2GEJ 563 X (56K)	T	78.5/15.8
R190	7030005080	S.RES ERJ2GEJ 823 X (82K)	T	80.9/18.4
R191	7030004980	S.RES ERJ2GEJ 101 X (100)	B	54.2/30.4
R192	7030008280	S.RES ERJ2GEJ 271 X (27K)	B	52.6/35.9
R193	7030005050	S.RES ERJ2GEJ 103 X (10K)	B	57.5/31.5
R194	7030007340	S.RES ERJ2GEJ 153 X (15K)	T	53.5/36.7
R195	7030007260	S.RES ERJ2GEJ 330 X (33)	T	51/33.4
R196	7030005050	S.RES ERJ2GEJ 103 X (10K)	B	56.8/35.3
R197	7030005050	S.RES ERJ2GEJ 103 X (10K)	B	55/38.5
R198	7030010090	S.RES ERJ2GEJ 180 X (18)	B	38/46
R199	7030008280	S.RES ERJ2GEJ 271 X (27K)	B	38.5/44.6
R200	7030005050	S.RES ERJ2GEJ 103 X (10K)	B	8.4/20.6
R201	7410001130	S.ARR EXB28V102JX	B	117/51.7
R202	7030005090	S.RES ERJ2GEJ 104 X (100K)	T	127.1/46.7
R203	7030005120	S.RES ERJ2GEJ 102 X (1K)	B	126.7/42.2
R204	7410000750	S.ARR EXB-V4V 104JV (100K)	B	129.6/43.4
R205	7030008010	S.RES ERJ2GEJ 123 X (12K)	T	126.2/39.2
R206	7030005120	S.RES ERJ2GEJ 102 X (1K)	B	128.7/37.1
R207	7030005050	S.RES ERJ2GEJ 103 X (10K)	T	120.3/37
R208	7030005050	S.RES ERJ2GEJ 103 X (10K)	T	121/37.7
R209	7410001130	S.ARR EXB28V102JX	B	128.6/39.5
R210	7030008010	S.RES ERJ2GEJ 123 X (12K)	T	123.6/37.9
R211	7030008010	S.RES ERJ2GEJ 123 X (12K)	T	125.5/40.8
R212	7030005160	S.RES ERJ2GEJ 105 X (1M)	T	121.7/40.8
R213	7030005070	S.RES ERJ2GEJ 683 X (68K)	T	49/35
R214	7030004980	S.RES ERJ2GEJ 101 X (100)	B	49/35
R215	7030005050	S.RES ERJ2GEJ 103 X (10K)	B	48.8/51.4
R216	7030004980	S.RES ERJ2GEJ 101 X (100)	[C]	B 49.8/49.7
	7030005120	S.RES ERJ2GEJ 102 X (1K)	[O]	
	7030005120	S.RES ERJ2GEJ 102 X (1K)	[K]	
	7030004980	S.RES ERJ2GEJ 101 X (100)	[D]	
	7030005120	S.RES ERJ2GEJ 102 X (1K)	[P]	
	7030004980	S.RES ERJ2GEJ 101 X (100)	[E]	
	7030004980	S.RES ERJ2GEJ 101 X (100)	[F]	

[MAIN-A UNIT] (For MDC compatible versions)

REF NO.	PARTS NO.	DESCRIPTION	M.	H/V LOCATION
R244	7030005120	S.RES ERJ2GEJ 102 X (1K)	[C]	B 8.6/35.7
	7030005120	S.RES ERJ2GEJ 102 X (1K)	[O]	
	7030005120	S.RES ERJ2GEJ 102 X (1K)	[K]	
	7030005040	S.RES ERJ2GEJ 472 X (4.7K)	[D]	
	7030005040	S.RES ERJ2GEJ 472 X (4.7K)	[P]	
	7030005120	S.RES ERJ2GEJ 102 X (1K)	[E]	
	7030005120	S.RES ERJ2GEJ 102 X (1K)	[F]	
	7030005120	S.RES ERJ2GEJ 102 X (1K)	[G]	
	7030005120	S.RES ERJ2GEJ 102 X (1K)	[L]	
	7030005120	S.RES ERJ2GEJ 102 X (1K)	[I]	
	7030005040	S.RES ERJ2GEJ 472 X (4.7K)	[H]	
R245	7030005530	S.RES ERJ2GEJ 100 X (10)	B	11.7/38.2
R246	7030005090	S.RES ERJ2GEJ 104 X (100K)	B	11.3/41.5
R247	7030005710	S.RES ERJ2GEJ 121 X (120)	B	7.3/41.2
R248	7410001130	S.ARR EXB28V102JX	B	103.9/47.9
R249	7410001130	S.ARR EXB28V102JX	B	123.6/27.2
R250	7410001130	S.ARR EXB28V102JX	B	121.9/25.3
R251	7410001140	S.ARR EXB28V104JX	T	124.2/27.9
R252	7410001140	S.ARR EXB28V104JX	T	122.1/25.7
R253	7030008290	S.RES ERJ2GEJ 183 X (18K)	T	11.8/40.8
R254	7030005110	S.RES ERJ2GEJ 224 X (220K)	T	7.3/41
R255	7030005240	S.RES ERJ2GEJ 472 X (47K)	B	9/41.9
R257	7030008400	S.RES ERJ2GEJ 182 X (1.8K)	T	7.3/39.7
R258	7030005170	S.RES ERJ2GEJ 474 X (470K)	T	8.4/42.2
R259	7030005090	S.RES ERJ2GEJ 104 X (100K)	B	5.4/45.6
R260	7030005090	S.RES ERJ2GEJ 104 X (100K)	B	5.4/48
R261	7410001130	S.ARR EXB28V102JX	B	99.7/43.5
R262	7410001130	S.ARR EXB28V102JX	T	100.5/37
R263	7410001130	S.ARR EXB28V102JX	B	97/40.7
R264	7410000750	S.ARR EXB-V4V 104JV (100K)	T	103.2/35.4
R265	7030007340	S.RES ERJ2GEJ 153 X (15K)	T	87.7/31
R266	7410001130	S.ARR EXB28V102JX	B	120.1/23.5
R267	7410001130	S.ARR EXB28V102JX	B	118.3/21.7
R268	7410001130	S.ARR EXB28V102JX	B	116.5/19.9
R269	7030005090	S.RES ERJ2GEJ 104 X (100K)	T	118.6/20.6
R270	7030007340	S.RES ERJ2GEJ 153 X (15K)	T	88.6/34.2
R271	7030007270	S.RES ERJ2GEJ 151 X (150)	T	73/71.8
R272	7030007280	S.RES ERJ2GEJ 331 X (330)	T	61.7/6.7
R273	7030005050	S.RES ERJ2GEJ 103 X (10K)	T	63.6/76.2
R274	7030004980	S.RES ERJ2GEJ 101 X (100)	B	57.9/68.9
R277	7030005050	S.RES ERJ2GEJ 103 X (10K)	B	4.1/46.5
R278	7030005050	S.RES ERJ2GEJ 103 X (10K)	B	126.6/28.8
R279	7030005090	S.RES ERJ2GEJ 104 X (100K)	B	127.6/28.8
R280	7410001130	S.ARR EXB28V102JX	T	95.2/38.9
R281	7030005090	S.RES ERJ2GEJ 104 X (100K)	T	93.8/48.9
R282	7410000750	S.ARR EXB-V4V 104JV (100K)	T	91.6/49.5
R283	7410001130	S.ARR EXB28V102JX	B	104.7/22.2
R284	7030005120	S.RES ERJ2GEJ 102 X (1K)	T	111.3/25.3
R285	7410001130	S.ARR EXB28V102JX	B	107.1/19.9
R286	7410001140	S.ARR EXB28V104JX	T	120.5/21.8
R287	7030004990	S.RES ERJ2GEJ 221 X (220)	B	57.6/64.5
R288	7030005100	S.RES ERJ2GEJ 154 X (150K)	B	55.8/68.9
R289	7030008300	S.RES ERJ2GEJ 184 X (180K)	[C]	B 44.3/65
	7030008300	S.RES ERJ2GEJ 184 X (180K)	[D]	
	7030008300	S.RES ERJ2GEJ 184 X (180K)	[E]	
	7030008300	S.RES ERJ2GEJ 184 X (180K)	[F]	
	7030008300	S.RES ERJ2GEJ 184 X (180K)	[G]	
	7030008300	S.RES ERJ2GEJ 184 X (180K)	[I]	
	7030008300	S.RES ERJ2GEJ 184 X (180K)	[H]	
R290	7520000260	S.POS PRF18BB471QB1RB	[C]	T 33.7/66.7
	7520000260	S.POS PRF18BB471QB1RB	[D]	
	7520000260	S.POS PRF18BB471QB1RB	[E]	
	7520000260	S.POS PRF18BB471QB1RB	[F]	
	7520000260	S.POS PRF18BB471QB1RB	[G]	
	7520000260	S.POS PRF18BB471QB1RB	[I]	
	7520000260	S.POS PRF18BB471QB1RB	[H]	
R291	7030005120	S.RES ERJ2GEJ 102 X (1K)	T	107.2/21.1
R292	7030006070	S.RES ERJ12VJ101U (100)	B	36.9/68
R293	7030005110	S.RES ERJ2GEJ 224 X (220K)	B	50.5/65.7
R294	7030005050	S.RES ERJ2GEJ 103 X (10K)	B	53.1/70.1
R295	7030005110	S.RES ERJ2GEJ 224 X (220K)	B	54.2/64.5
R296	7030005040	S.RES ERJ2GEJ 472 X (4.7K)	B	50/68.9
R297	7030008010	S.RES ERJ2GEJ 123 X (12K)	[C]	B 51.8/70.2
	7030008010	S.RES ERJ2GEJ 123 X (12K)	[O]	
	7030008010	S.RES ERJ2GEJ 123 X (12K)	[K]	
	7030008010	S.RES ERJ2GEJ 123 X (12K)	[D]	
	7030005220	S.RES ERJ2GEJ 223 X (22K)	[P]	
	7030008010	S.RES ERJ2GEJ 123 X (12K)	[E]	
	7030008010	S.RES ERJ2GEJ 123 X (12K)	[F]	
	7030008010	S.RES ERJ2GEJ 123 X (12K)	[G]	
	7030008010	S.RES ERJ2GEJ 123 X (12K)	[L]	
	7030008010	S.RES ERJ2GEJ 123 X (12K)	[I]	
	7030008010	S.RES ERJ2GEJ 123 X (12K)	[H]	
R298	7030006610	S.RES ERJ2GEJ 394 X (390K)	B	49.2/66.1
R299	7030005110	S.RES ERJ2GEJ 224 X (220K)	B	18.3/33.1
R300	7030005050	S.RES ERJ2GEJ 103 X (10K)	B	99.9/59.6
R301	7030007290	S.RES ERJ2GEJ 222 X (2.2K)	T	106.7/55
R302	7030000440	S.RES MCR10EZJH 3.3K (332)	T	79.1/64.4
R303	7030000440	S.RES MCR10EZJH 3.3K (332)	T	81.1/64.4
R304	7030000440	S.RES MCR10EZJH 3.3K (332)	T	83.1/64.4
R305	7030005050	S.RES ERJ2GEJ 103 X (10K)	T	66.9/54.1
R306	7030005040	S.RES ERJ2GEJ 472 X (4.7K)	T	68.1/53.2
R307	7030005050	S.RES ERJ2GEJ 103 X (10K)	B	35.4/61.7
R308	7410001130	S.ARR EXB28V102JX	T	102.3/63.8
R309	7030005070	S.RES ERJ2GEJ 683 X (68K)	T	94.9/5.4
R310	7030004980	S.RES ERJ2GEJ 101 X (100)	B	109.1/62.5
R311	7030000260	S.RES MCR10EZJH 100 (101)	B	16/79.4
R312	7030005700	S.RES ERJ2GEJ 274 X (270K)	B	41/61.1
R313	7030003320	S.RES ERJ3GEYJ 101 V (100)	B	11.2/58

[MAIN-A UNIT] (For MDC compatible versions)

REF NO.	PARTS NO.	DESCRIPTION	M.	H/V LOCATION
R314	7030007340	S.RES ERJ2GEJ 153 X (15K)	[C]	B 10/55.3
	7030008400	S.RES ERJ2GEJ 182 X (1.8K)	[O]	
	7030008400	S.RES ERJ2GEJ 182 X (1.8K)	[K]	
	7030007340	S.RES ERJ2GEJ 153 X (15K)	[D]	
	7030007340	S.RES ERJ2GEJ 153 X (15K)	[P]	
	7030007340	S.RES ERJ2GEJ 153 X (15K)	[E]	
	7030007340	S.RES ERJ2GEJ 153 X (15K)	[F]	
	7030007340	S.RES ERJ2GEJ 153 X (15K)	[G]	
	7030008400	S.RES ERJ2GEJ 182 X (1.8K)	[L]	
	7030007340	S.RES ERJ2GEJ 153 X (15K)	[I]	
	7030007340	S.RES ERJ2GEJ 153 X (15K)	[H]	
R315	7030000220	S.RES MCR10EZJH 47 (470)	B	3/61.6
R316	7030005170	S.RES ERJ2GEJ 474 X (470K)	T	92.7/10.3
R317	7030005160	S.RES ERJ2GEJ 105 X (1M)	B	116.5/86.3
R318	7030005160	S.RES ERJ2GEJ 105 X (1M)	B	113.7/83.8
R319	7030005120	S.RES ERJ2GEJ 102 X (1K)	B	114/82.6
R320	7030005160	S.RES ERJ2GEJ 105 X (1M)	B	112.9/86.3
R321	7030004970	S.RES ERJ2GEJ 470 X (47)	B	112.1/84.5
R322	7030007340	S.RES ERJ2GEJ 153 X (15K)	[C]	B 4.6/80.9
	7030008400	S.RES ERJ2GEJ 182 X (1.8K)	[O]	
	7030008400	S.RES ERJ2GEJ 182 X (1.8K)	[K]	
	7030007340	S.RES ERJ2GEJ 153 X (15K)	[D]	
	7030007340	S.RES ERJ2GEJ 153 X (15K)	[P]	
	7030007340	S.RES ERJ2GEJ 153 X (15K)	[E]	
	7030007340	S.RES ERJ2GEJ 153 X (15K)	[F]	
	7030007340	S.RES ERJ2GEJ 153 X (15K)	[G]	
	7030008400	S.RES ERJ2GEJ 182 X (1.8K)	[L]	
	7030007340	S.RES ERJ2GEJ 153 X (15K)	[I]	
	7030007340	S.RES ERJ2GEJ 153 X (15K)	[H]	
R323	7030003320	S.RES ERJ3GEYJ 101 V (100)	B	6.8/80.9
R324	7030000620	S.RES MCR10EZJH 100 K (104)	T	6.1/83.1
R325	7030005050	S.RES ERJ2GEJ 103 X (10K)	B	131.2/45.3
R326	7030005090	S.RES ERJ2GEJ 104 X (100K)	B	131.6/51.7
R327	7030005120	S.RES ERJ2GEJ 102 X (1K)	B	131.1/54.2
R328	7030005090	S.RES ERJ2GEJ 104 X (100K)	B	134.1/51.7
R332	7030005090	S.RES ERJ2GEJ 104 X (100K)	T	109.4/24.2
R333	7030005120	S.RES ERJ2GEJ 102 X (1K)	T	112.6/29.5
R334	7520000270	S.POS PRG21BC4R7MM1FA	T	108.1/00.774
R335	7030005050	S.RES ERJ2GEJ 103 X (10K)	T	108/78.8
R336	7030005120	S.RES ERJ2GEJ 102 X (1K)	T	112.2/870
R337	7410001130	S.ARR EXB28V102JX	T	104.8/77
R338	7030005651	S.RES ERA3YKD 304V (300K)	B	99.9/57.9
R339	7030005871	S.RES ERA3YKD 104V (100K)	B	99.9/56.5
R340	7030003560	S.RES ERJ3GEYJ 103 V (10K)	T	136.3/65.7
R341	7030003560	S.RES ERJ3GEYJ 103 V (10K)	B	130.7/85.9
R342	7030005090	S.RES ERJ2GEJ 104 X (100K)	B	135.4/52.2
R343	7030007290	S.RES ERJ2GEJ 222 X (2.2K)	B	138.1/49.4
R344	7030008270	S.RES RR0510P-104-D (100K)	B	133.3/54.6
R345	7030008270	S.RES RR0510P-104-D (100K)	B	133.3/56.3
R346	7030005040	S.RES ERJ2GEJ 472 X (4.7K)	B	137/52.2
R347	7030005050	S.RES ERJ2GEJ 103 X (10K)	B	137.8/53.7
R348	7030005700	S.RES ERJ2GEJ 274 X (270K)	B	131.3/75.6
R349	7030005090	S.RES ERJ2GEJ 104 X (100K)	B	130.4/76.7
R350	7030005120	S.RES ERJ2GEJ 102 X (1K)	B	140/47.6
R351	7030004980	S.RES ERJ2GEJ 101 X (100)	B	134.5/36.5
R352	7030008300	S.RES ERJ2GEJ 184 X (180K)	B	140.1/38.5
R353	7030005230	S.RES ERJ2GEJ 334 X (330K)	B	139.3/54.8
R354	7030010040	S.RES ERJ2GEJ-JPW	T	140.4/36
R355	7030008280	S.RES ERJ2GEJ 271 X (270)	B	138/34.8
R356	7540000290	ABS ERZV10D220		
R359	7030005090	S.RES ERJ2GEJ 104 X (100K)	B	112.6/80.5
R360	7030005090	S.RES ERJ2GEJ 104 X (100K)	T	78.4/5.3
R361	7030005600	S.RES ERJ2GEJ 273 X (27K)	T	76.7/18.3
R362	7030005050	S.RES ERJ2GEJ 103 X (10K)	T	121.7/48.6
R363	7030005120	S.RES ERJ2GEJ 102 X (1K)	T	42.9/38.2
R364	7030005040	S.RES ERJ2GEJ 472 X (4.7K)	T	42/37.2
R366	7030005090	S.RES ERJ2GEJ 104 X (100K)	B	131.4/63.4
R367	7030005040	S.RES ERJ2GEJ 472 X (4.7K)	B	130.1/63
R368	7030005050	S.RES ERJ2GEJ 103 X (10K)	T	80.6/7.2
R370	7030005810	S.RES RR0510P-152-D (1.5K)	B	78.4/35.7
R371	7030005120	S.RES ERJ2GEJ 102 X (1K)	B	78.7/44.7
R372	7030010040	S.RES ERJ2GEJ-JPW	B	39.5/8.1
R373	7030010040	S.RES ERJ2GEJ-JPW	B	50.4/12.3
R374	7030005050	S.RES ERJ2GEJ 103 X (10K)	T	117.9/83.3
R375				

[MAIN-A UNIT] (For MDC compatible versions)

REF NO.	PARTS NO.	DESCRIPTION	M.	H/V LOCATION
C10	4030016930	S.CER ECJ0EB1A104K	T	79.8/51
C11	4030016930	S.CER ECJ0EB1A104K	T	9.3/18.1
C12	4030016930	S.CER ECJ0EB1A104K	T	82.8/6.6
C13	4030016930	S.CER ECJ0EB1A104K	T	86.3/8.9
C14	4030016930	S.CER ECJ0EB1A104K	T	41.5/7.7
C15	4030017460	S.TAN TEESVA 1C 105M8R	T	42.7/6.2
C16	4550000460	S.TAN TEESVA 1C 105M8R	B	43/6.2
C17	4550000460	S.TAN TEESVA 1C 105M8R	B	41.7/14
C18	4030017420	S.CER ECJ0EC1H470J	B	50.4/15.8
C19	4030017420	S.CER ECJ0EC1H470J	B	101/52.7
C20	4030016970	S.CER ECJ0EB1C223K	T	41.7/16.9
C21	4030017420	S.CER ECJ0EC1H470J	T	41.7/12.7
C22	4030017420	S.CER ECJ0EC1H470J	T	52.2/5.6
C23	4030016930	S.CER ECJ0EB1A104K	B	39.5/9.8
C24	4030017660	S.CER ECJ0EC1H330J	B	60.9/5.9
C25	4030017420	S.CER ECJ0EC1H470J	B	37.7/6
C26	4030016930	S.CER ECJ0EB1A104K	B	36.8/7.3
C27	4030018240	S.CER ECJ0EB1E562K	T	78.1/9.5
C28	4030016790	S.CER ECJ0EB1C103K	T	78.5/12.5
C29	4030017460	S.CER ECJ0EB1E102K	T	78.5/13.4
C30	4030016930	S.CER ECJ0EB1A104K	T	82/50.5
C31	4030017460	S.CER ECJ0EB1E102K	T	33.3/15.9
C32	4030017500	S.CER ECJ0EC1H560J	B	35.8/12.7
C33	4030016930	S.CER ECJ0EB1A104K	B	32/15.4
C34	4030017570	S.CER ECJ0EC1H040B	B	30.8/15.9
C35	4030017590	S.CER ECJ0EC1H070C	B	22.9/15
C36	4030016930	S.CER ECJ0EB1A104K	T	28.1/15.4
C37	4030017360	S.CER ECJ0EC1H030B	T	22/5.7
C38	4030016930	S.CER ECJ0EB1A104K	B	15/5.7
C39	4030016930	S.CER ECJ0EB1A104K	T	24.2/5.6
C40	4030016930	S.CER ECJ0EB1A104K	T	22.2/12.5
C41	4030016930	S.CER ECJ0EB1A104K	T	23.1/12.5
C42	4030016930	S.CER ECJ0EB1A104K	T	27.4/9.4
C43	4030017910	S.CER ECJ0EB1H152K	T	26.5/9.4
C44	4030017910	S.CER ECJ0EB1H152K	B	92.6/10
C45	4030017790	S.CER ECJ0EB1E682K	B	93.6/10
C46	4030016930	S.CER ECJ0EB1A104K	T	90.9/14.7
C47	4030016970	S.CER ECJ0EB1C223K	B	49.9/9.1
C48	4030017710	S.CER ECJ0EC1H181J	B	54.8/15.4
C49	4550006250	S.TAN TEESVA 1A 106M8R	T	55.4/12.1
C50	4030017460	S.CER ECJ0EB1E102K	T	46.3/18.8
C51	4030017400	S.CER ECJ0EC1H220J	T	44.7/7.8
C52	4030017400	S.CER ECJ0EC1H220J	B	63.7/10.8
C53	4030017900	S.CER ECJ0EB1C123K	B	63.7/11.7
C54	4030018080	S.CER ECJ0EB1H182K	B	49.2/30.2
C55	4030016790	S.CER ECJ0EB1C103K	B	83.4/36.5
C56	4030017620	S.CER ECJ0EC1H100C	T	84.8/31
C57	4030016930	S.CER ECJ0EB1A104K	T	85.7/38.8
C58	4030017430	S.CER ECJ0EC1H101J	T	81.8/24.8
C59	4030017460	S.CER ECJ0EB1E102K	T	83/41.5
C60	4030017420	S.CER ECJ0EC1H470J	T	84.4/40.2
C61	4030017620	S.CER ECJ0EC1H100C	T	81.2/41.5
C62	4030017650	S.CER ECJ0EC1H270J	T	28.7/10.6
C63	4030017460	S.CER ECJ0EB1E102K	T	30.7/6.9
C64	4550006250	S.TAN TEESVA 1A 106M8R	T	26.6/6.4
C65	4030017460	S.CER ECJ0EB1E102K	T	30.5/8.5
C66	4550006250	S.TAN TEESVA 1A 106M8R	T	32.6/15.4
C67	4030017460	S.CER ECJ0EB1E102K	B	30.6/14.3
C68	4030017460	S.CER ECJ0EB1E102K	B	92.6/8.3
C69	4030017460	S.CER ECJ0EB1E102K	B	50.9/11
C70	4030017420	S.CER ECJ0EC1H470J	B	50.3/17.7
C71	4030016940	S.CER ECJ0EB1A393K	B	52/17.7
C72	4030018860	S.CER ECJ0EB0J105K	B	55.9/12.6
C73	4030017750	S.CER ECJ0EB1E122K	B	53.1/12.7
C74	4030016930	S.CER ECJ0EB1A104K	B	53.3/8.6
C75	4030016930	S.CER ECJ0EB1A104K	B	50.1/33.1
C76	4030017460	S.CER ECJ0EB1E102K	B	82.6/43.3
C77	4030017460	S.CER ECJ0EB1E102K	B	84.4/41.1
C78	4030017460	S.CER ECJ0EB1E102K	B	80.3/30.7
C79	4550006250	S.TAN TEESVA 1A 106M8R	B	84.4/35.9
C80	4030017770	S.CER ECJ0EB1E332K	B	83.2/49.6
C81	4550000560	S.TAN TEESVA 1V 334M8R	B	55.2/45.4
C82	4030017460	S.CER ECJ0EB1E102K	B	53.9/42.8
C83	4550000270	S.TAN TEESVA 1E 474M8R	T	55.2/42.3
C84	4030017460	S.CER ECJ0EB1E102K	T	53.9/41.8
C85	4030017350	S.CER ECJ0EC1H020B	T	[C]
C86	4030017340	S.CER ECJ0EC1H010B	[O]	
C87	4030017340	S.CER ECJ0EC1H010B	[K]	
C88	4030017530	S.CER ECJ0EC1H0R5B	[D]	
C89	4030017550	S.CER ECJ0EC1H1R5B	[E]	
	4030017550	S.CER ECJ0EC1H1R5B	[F]	
	4030017550	S.CER ECJ0EC1H1R5B	[G]	
	4030017550	S.CER ECJ0EC1H1R5B	[L]	
	4030017550	S.CER ECJ0EC1H1R5B	[I]	
	4030017550	S.CER ECJ0EC1H1R5B	[H]	
C91	4030016790	S.CER ECJ0EB1C103K	T	27.3/17.3
C92	4030017460	S.CER ECJ0EB1E102K	T	25.2/20.9
C93	4030017680	S.CER ECJ0EC1H820J	T	32.4/12.5
C94	4030017460	S.CER ECJ0EB1E102K	B	30.6/13.4
C95	4030016790	S.CER ECJ0EB1C103K	T	28.8/19.3
C96	4030016930	S.CER ECJ0EB1A104K	B	89.3/7.4
C97	4030016930	S.CER ECJ0EB1A104K	B	90.8/14.6
C98	4030016930	S.CER ECJ0EB1A104K	T	86.1/15.6
C99	4030017710	S.CER ECJ0EC1H181J	T	83.9/7.5
C100	4030016930	S.CER ECJ0EB1A104K	T	106.7/34.7
C101	4030016930	S.CER ECJ0EB1A104K	B	55.3/19.5
C102	4030016930	S.CER ECJ0EB1A104K	B	76.6/32.9
C103	4030016930	S.CER ECJ0EB1A104K	B	74.2/41.3
C104	4550000270	S.TAN TEESVA 1E 474M8R	B	72.9/43.4
C105	4030017420	S.CER ECJ0EC1H470J	T	74.2/34.8
C106	4030016930	S.CER ECJ0EB1A104K	T	73.9/28.3
C107	4030017420	S.CER ECJ0EB1A104K	B	73/27.4
C108	4030017420	S.CER ECJ0EB1A104K	T	74.2/28.3
C109	4030017420	S.CER ECJ0EB1A104K	T	24.3/20.9

[MAIN-A UNIT] (For MDC compatible versions)

REF NO.	PARTS NO.	DESCRIPTION	M.	H/V LOCATION
C115	4030016790	S.CER ECJ0EB1C103K	T	21.5/21.1
C116	4030016790	S.CER ECJ0EB1C103K	T	26.6/22.5
C119	4030017640	S.CER ECJ0EC1H150J	T	20.3/27.9
C120	4030016790	S.CER ECJ0EB1C103K	T	32.2/22.5
C123	4030017630	S.CER ECJ0EC1H330J	T	40/28
C124	4030016930	S.CER ECJ0EB1A104K	B	90.8/17.4
C126	4030016930	S.CER ECJ0EB1A104K	T	82.7/21.2
C128	4030016930	S.CER ECJ0EB1A104K	T	80/20.2
C129	4030016930	S.CER ECJ0EB1A104K	B	63.7/16
C130	4030016930	S.CER ECJ0EB1A104K	B	134.8/16.8
C131	4030017660	S.CER ECJ0EC1H330J	B	137.5/23.8
C132	4030017660	S.CER ECJ0EC1H330J	B	137.5/18.8
C133	4030017580	S.CER ECJ0EC1H060C	T	69/43.9
	4030017580	S.CER ECJ0EC1H060C	[C]	
	4030017580	S.CER ECJ0EC1H060C	[K]	
	4030017380	S.CER ECJ0EC1H050B	[D]	
	4030017380	S.CER ECJ0EC1H050B	[P]	
	4030017580	S.CER ECJ0EC1H060C	[E]	
	4030017580	S.CER ECJ0EC1H060C	[F]	
	4030017580	S.CER ECJ0EC1H060C	[G]	
	4030017580	S.CER ECJ0EC1H060C	[L]	
	4030017580	S.CER ECJ0EC1H060C	[I]	
	4030017380	S.CER ECJ0EC1H050B	[H]	
C134	4030017590	S.CER ECJ0EC1H070C	T	70.3/43
C135	4030017590	S.CER ECJ0EC1H070C	T	69/37.4
C136	4030017460	S.CER ECJ0EB1E102K	B	84.1/27.8
C137	4030017670	S.CER ECJ0EC1H390J	T	70.3/30
	4030017670	S.CER ECJ0EC1H390J	[C]	
	4030017670	S.CER ECJ0EC1H390J	[O]	
	4030017670	S.CER ECJ0EC1H390J	[K]	
	4030017630	S.CER ECJ0EC1H120J	[D]	
	4030017630	S.CER ECJ0EC1H120J	[P]	
	4030017670	S.CER ECJ0EC1H390J	[E]	
	4030017670	S.CER ECJ0EC1H390J	[F]	
	4030017670	S.CER ECJ0EC1H390J	[G]	
	4030017670	S.CER ECJ0EC1H390J	[L]	
	4030017670	S.CER ECJ0EC1H390J	[I]	
	4030017630	S.CER ECJ0EC1H120J	[H]	
C138	4030017640	S.CER ECJ0EC1H150J	T	69/30.9
	4030017640	S.CER ECJ0EC1H150J	[C]	
	4030017640	S.CER ECJ0EC1H150J	[O]	
	4030017620	S.CER ECJ0EC1H100C	[D]	
	4030017620	S.CER ECJ0EC1H100C	[P]	
	4030017640	S.CER ECJ0EC1H150J	[E]	
	4030017640	S.CER ECJ0EC1H150J	[F]	
	4030017640	S.CER ECJ0EC1H150J	[G]	
	4030017640	S.CER ECJ0EC1H150J	[L]	
	4030017640	S.CER ECJ0EC1H150J	[I]	
	4030017620	S.CER ECJ0EC1H100C	[H]	
C139	4030017630	S.CER ECJ0EC1H120J	T	70.3/36.5
	4030017630	S.CER ECJ0EC1H120J	[C]	
	4030017630	S.CER ECJ0EC1H120J	[O]	
	4030017630	S.CER ECJ0EC1H120J	[K]	
	4030017620	S.CER ECJ0EC1H100C	[D]	
	4030017620	S.CER ECJ0EC1H100C	[P]	
	4030017630	S.CER ECJ0EC1H120J	[E]	
	4030017630	S.CER ECJ0EC1H120J	[F]	
	4030017630	S.CER ECJ0EC1H120J	[G]	
	4030017630	S.CER ECJ0EC1H120J	[L]	
	4030017630	S.CER ECJ0EC1H120J	[I]	
	4030017620	S.CER ECJ0EC1H100C	[H]	
C140	4030017460	S.CER ECJ0EB1E102K	T	73/40.4
C141	4030017460	S.CER ECJ0EB1E102K	T	73/33.9
C142	4030018860	S.CER ECJ0EB0J105K	T	90.1/10.7
C143	4030017340	S.CER ECJ0EC1H010B	T	64.7/31.3
C144	4030016790	S.CER ECJ0EB1C103K	T	27.8/35.2
C145	4030017610	S.CER ECJ0EC1H090C	T	36.4/33.4
C146	4030016790	S.CER ECJ0EB1C103K	T	35.1/35.2
C147	4030016790	S.CER ECJ0EB1C103K	T	29.9/33.9
C148	4030016790	S.CER ECJ0EB1C103K	T	76.5/18.7
C149	4030016930	S.CER ECJ0EB1A104K	B	89/22
C150	4030018560	S.CER C2012 JB 1A 475K-T	B	111.1/46.3
C151	4030016930	S.CER ECJ0EB1A104K	T	108.5/35.7
C152	4030016930	S.CER ECJ0EB1A104K	T	110.3/35.6
C153	4030017460	S.CER ECJ0EB1E102K	T	83.2/19.8
C154	4030018860	S.CER ECJ0EB0J105K	T	110.3/37.9
C155	4030017420	S.CER ECJ0EC1H470J	T	103.2/42.7
C156	4030017910	S.CER ECJ0EB1H152K	T	110.7/47.2
C157	4030017420	S.CER ECJ0EC1H470J	T	108.5/36.7
C158	4030017430	S.CER ECJ0EC1H101J	T	118.5/9.4
C159	4030017460	S.CER ECJ0EB1E102K	B	130.6/25.4
C160	4030017460	S.CER ECJ0EB1E102K	B	64.2/43
C161	4030017620	S.CER ECJ0EC1H100C	T	68.6/45.2
C162	4030017380	S.CER ECJ0EC1H050B	[C]	
	4030017380	S.CER ECJ0EC1H050B	[O]	
	4030017380	S.CER ECJ0EC1H050B	[K]	
	4030017580	S.CER ECJ0EC1H060C	[D]	
	4030017580	S.CER ECJ0EC1H060C	[P]	
	4030017380	S.CER ECJ0EC1H050B	[E]	
	4030017380	S.CER ECJ0EC1H050B	[F]	
	4030017380	S.CER ECJ0EC1H050B	[G]	
	4030017380	S.CER ECJ0EC1H050B	[L]	
	4030017380	S.CER ECJ0EC1H050B	[I]	
	4030017580	S.CER ECJ0EC1H060C	[H]	
C163	4030017620	S.CER ECJ0EC1H100C	T	64.2/36.5
	4030017620	S.CER ECJ0EC1H100C	[C]	
	4030017620	S.CER ECJ0EC1H100C	[O]	
	4030017620	S.CER ECJ0EC1H100C	[K]	
	4030017390	S.CER ECJ0EC1H180J	[D]	
	4030017390	S.CER ECJ0EC1H180J	[P]</	

[MAIN-A UNIT] (For MDC compatible versions)

REF NO.	PARTS NO.	DESCRIPTION	M.	H/V LOCATION	
C239	4030017550	S.CER ECJ0EC1H1R5B	[C]	B 12.9/35.7	
	4030017550	S.CER ECJ0EC1H1R5B	[O]		
	4030017550	S.CER ECJ0EC1H1R5B	[K]		
	4030017350	S.CER ECJ0EC1H020B	[D]		
	4030017350	S.CER ECJ0EC1H020B	[P]		
	4030017550	S.CER ECJ0EC1H1R5B	[E]		
	4030017550	S.CER ECJ0EC1H1R5B	[F]		
	4030017550	S.CER ECJ0EC1H1R5B	[G]		
	4030017550	S.CER ECJ0EC1H1R5B	[L]		
	4030017550	S.CER ECJ0EC1H1R5B	[I]		
C240	4030017350	S.CER ECJ0EC1H020B	[H]	B 14/34.4	
	4030017610	S.CER ECJ0EC1H090C	[C]		
	4030017610	S.CER ECJ0EC1H090C	[O]		
	4030017610	S.CER ECJ0EC1H090C	[K]		
	4030017600	S.CER ECJ0EC1H080C	[D]		
	4030017600	S.CER ECJ0EC1H080C	[P]		
	4030017610	S.CER ECJ0EC1H090C	[E]		
	4030017610	S.CER ECJ0EC1H090C	[F]		
	4030017610	S.CER ECJ0EC1H090C	[G]		
	4030017610	S.CER ECJ0EC1H090C	[L]		
C241	4030017600	S.CER ECJ0EC1H080C	[I]	B 15.5/37.7	
	4030017340	S.CER ECJ0EC1H010B	[H]		
	4030017340	S.CER ECJ0EC1H010B	[C]		
	4030017340	S.CER ECJ0EC1H010B	[O]		
	4030017340	S.CER ECJ0EC1H010B	[K]		
	4030017520	S.CER ECJ0EC1H0R3B	[D]		
	4030017520	S.CER ECJ0EC1H0R3B	[P]		
	4030017340	S.CER ECJ0EC1H010B	[E]		
	4030017340	S.CER ECJ0EC1H010B	[F]		
	4030017340	S.CER ECJ0EC1H010B	[G]		
C242	4030017520	S.CER ECJ0EC1H0R3B	[I]	B 10.4/35.7	
	4030017610	S.CER ECJ0EC1H090C	[H]		
	4030017610	S.CER ECJ0EC1H090C	[C]		
	4030017610	S.CER ECJ0EC1H090C	[O]		
	4030017610	S.CER ECJ0EC1H090C	[K]		
	4030017600	S.CER ECJ0EC1H080C	[D]		
	4030017600	S.CER ECJ0EC1H080C	[P]		
	4030017610	S.CER ECJ0EC1H090C	[E]		
	4030017610	S.CER ECJ0EC1H090C	[F]		
	4030017610	S.CER ECJ0EC1H090C	[G]		
C243	4030017460	S.CER ECJ0EB1E102K	[L]	B 15.4/32.2	
	4030017460	S.CER ECJ0EB1E102K	[I]		
	C244	4030017460	S.CER ECJ0EB1E102K		[G]
	C245	4550006780	S.TAN TEESVB2 0J 476M8R		[L]
	C246	4030016930	S.CER ECJ0EB1A104K		[I]
	C247	4030016930	S.CER ECJ0EB1A104K		[G]
	C248	4030016930	S.CER ECJ0EB1A104K		[L]
	C249	4030018900	S.CER ECJ0EB0J474K		[I]
	C250	4030017630	S.CER ECJ0EC1H120J		[L]
	C251	4030017380	S.CER ECJ0EC1H050B		[I]
C252	4030017380	S.CER ECJ0EC1H050B	[C]	B 61/66.2	
	4030017380	S.CER ECJ0EC1H050B	[O]		
	4030017380	S.CER ECJ0EC1H050B	[K]		
	4030017370	S.CER ECJ0EC1H3R5B	[D]		
	4030017370	S.CER ECJ0EC1H3R5B	[P]		
	4030017380	S.CER ECJ0EC1H050B	[E]		
	4030017380	S.CER ECJ0EC1H050B	[F]		
	4030017380	S.CER ECJ0EC1H050B	[G]		
	4030017380	S.CER ECJ0EC1H050B	[L]		
	4030017370	S.CER ECJ0EC1H3R5B	[H]		
C253	4030017420	S.CER ECJ0EC1H470J	[H]	B 65.1/70.5	
	4030017730	S.CER ECJ0EB1E471K	[C]		
	C254	4030017420	S.CER ECJ0EC1H470J		[O]
	C255	4030017420	S.CER ECJ0EC1H470J		[K]
	C257	4030017530	S.CER ECJ0EC1H0R5B		[D]
	4030017530	S.CER ECJ0EC1H0R5B	[P]		
	4030017530	S.CER ECJ0EC1H0R5B	[E]		
	4030017530	S.CER ECJ0EC1H0R5B	[F]		
	4030017530	S.CER ECJ0EC1H0R5B	[G]		
	4030017530	S.CER ECJ0EC1H0R5B	[L]		
C258	4030017530	S.CER ECJ0EC1H0R5B	[I]	B 70.2/66.9	
	4030017520	S.CER ECJ0EC1H0R3B	[H]		
	4030017520	S.CER ECJ0EC1H0R3B	[C]		
	4030017530	S.CER ECJ0EC1H0R5B	[O]		
	4030017530	S.CER ECJ0EC1H0R5B	[K]		
	4030017530	S.CER ECJ0EC1H0R5B	[D]		
	4030017530	S.CER ECJ0EC1H0R5B	[P]		
	4030017530	S.CER ECJ0EC1H0R5B	[E]		
	4030017530	S.CER ECJ0EC1H0R5B	[F]		
	4030017530	S.CER ECJ0EC1H0R5B	[G]		
C259	4030017460	S.CER ECJ0EB1E102K	[L]	B 6.5/33.5	
	4030017460	S.CER ECJ0EB1E102K	[I]		
	C260	4030017340	S.CER ECJ0EC1H010B		[H]
	4030017340	S.CER ECJ0EC1H010B	[C]		
	4030017340	S.CER ECJ0EC1H010B	[O]		
	4030017460	S.CER ECJ0EB1E102K	[K]		
	C262	4030017460	S.CER ECJ0EB1E102K		[D]
	C263	4030016790	S.CER ECJ0EB1C103K		[P]
	C265	4030017420	S.CER ECJ0EC1H470J		[E]
	C266	4030017460	S.CER ECJ0EB1E102K		[F]
C267	4030017460	S.CER ECJ0EB1E102K	[G]	B 8.1/34.4	
	4030017360	S.CER ECJ0EC1H030B	[L]		
	C268	4030017360	S.CER ECJ0EC1H030B		[I]
	C269	4030017550	S.CER ECJ0EC1H1R5B		[H]
	C270	4030017580	S.CER ECJ0EC1H060C		[C]
	4030017580	S.CER ECJ0EC1H060C	[O]		
	4030017580	S.CER ECJ0EC1H060C	[K]		
	4030017570	S.CER ECJ0EC1H040B	[D]		
	4030017570	S.CER ECJ0EC1H040B	[P]		
	4030017580	S.CER ECJ0EC1H060C	[E]		
C271	4030017580	S.CER ECJ0EC1H060C	[F]	B 9/36.9	
	4030017580	S.CER ECJ0EC1H060C	[G]		
	4030017580	S.CER ECJ0EC1H060C	[L]		
	4030017580	S.CER ECJ0EC1H060C	[I]		
	4030017570	S.CER ECJ0EC1H040B	[H]		
	4030017570	S.CER ECJ0EC1H040B	[C]		
	4030017570	S.CER ECJ0EC1H040B	[O]		
	4030017570	S.CER ECJ0EC1H040B	[K]		
	4030017570	S.CER ECJ0EC1H040B	[D]		
	4030017570	S.CER ECJ0EC1H040B	[P]		
4030017570	S.CER ECJ0EC1H040B	[E]			

[MAIN-A UNIT] (For MDC compatible versions)

REF NO.	PARTS NO.	DESCRIPTION	M.	H/V LOCATION	
C271	4030017340	S.CER ECJ0EC1H010B	[C]	B 10.9/36.9	
	4030017340	S.CER ECJ0EC1H010B	[O]		
	4030017340	S.CER ECJ0EC1H010B	[K]		
	4030017520	S.CER ECJ0EC1H0R3B	[D]		
	4030017520	S.CER ECJ0EC1H0R3B	[P]		
	4030017340	S.CER ECJ0EC1H010B	[E]		
	4030017340	S.CER ECJ0EC1H010B	[F]		
	4030017340	S.CER ECJ0EC1H010B	[G]		
	4030017340	S.CER ECJ0EC1H010B	[L]		
	4030017340	S.CER ECJ0EC1H010B	[I]		
C272	4030016930	S.CER ECJ0EB1A104K	[H]	B 12.2/43.3	
	4030016930	S.CER ECJ0EB1A104K	[C]		
	C273	4030016930	S.CER ECJ0EB1A104K		[O]
	C274	4030017460	S.CER ECJ0EB1E102K		[K]
	C275	4030017420	S.CER ECJ0EC1H470J		[D]
	C276	4030017590	S.CER ECJ0EC1H070C		[P]
	C277	4030017460	S.CER ECJ0EB1E102K		[E]
	C278	4030017590	S.CER ECJ0EC1H070C		[F]
	4030017590	S.CER ECJ0EC1H070C	[G]		
	4030017590	S.CER ECJ0EC1H070C	[L]		
C279	4030017580	S.CER ECJ0EC1H060C	[I]	B 6.7/45.2	
	4030017580	S.CER ECJ0EC1H060C	[H]		
	4030017580	S.CER ECJ0EC1H060C	[C]		
	4030017590	S.CER ECJ0EC1H070C	[O]		
	4030017590	S.CER ECJ0EC1H070C	[K]		
	4030017590	S.CER ECJ0EC1H070C	[D]		
	4030017580	S.CER ECJ0EC1H060C	[P]		
	4030017580	S.CER ECJ0EC1H060C	[E]		
	4030017580	S.CER ECJ0EC1H060C	[F]		
	4030017580	S.CER ECJ0EC1H060C	[G]		
4030017580	S.CER ECJ0EC1H060C	[L]			
C280	4030017410	S.CER ECJ0EC1H240J	[I]	B 10/46.8	
	4030017560	S.CER ECJ0EC1H2R5B	[H]		
	4030017560	S.CER ECJ0EC1H2R5B	[C]		
	4030017560	S.CER ECJ0EC1H2R5B	[O]		
	4030017560	S.CER ECJ0EC1H2R5B	[K]		
	4030017350	S.CER ECJ0EC1H020B	[D]		
	4030017560	S.CER ECJ0EC1H2R5B	[P]		
	4030017560	S.CER ECJ0EC1H2R5B	[E]		
	4030017560	S.CER ECJ0EC1H2R5B	[F]		
	4030017560	S.CER ECJ0EC1H2R5B	[G]		
4030017560	S.CER ECJ0EC1H2R5B	[L]			
C281	4030017350	S.CER ECJ0EC1H020B	[I]	B 95.5/36.2	
	4030017420	S.CER ECJ0EC1H470J	[H]		
	C282	4030017420	S.CER ECJ0EC1H470J		[C]
	C283	4030017420	S.CER ECJ0EC1H470J		[O]
	C284	4030017420	S.CER ECJ0EC1H470J		[K]
	C285	4030017420	S.CER ECJ0EC1H470J		[D]
	C286	4030017420	S.CER ECJ0EC1H470J		[P]
	C287	4030017420	S.CER ECJ0EC1H470J		[E]
	C288	4030017460	S.CER ECJ0EB1E102K		[F]
	C289	4030017610	S.CER ECJ0EC1H090C		[G]
C290	4030017610	S.CER ECJ0EC1H090C	[L]	B 93.8/44.7	
	4030017610	S.CER ECJ0EC1H090C	[I]		
	4030017600	S.CER ECJ0EC1H080C	[H]		
	4030017600	S.CER ECJ0EC1H080C	[C]		
	4030017610	S.CER ECJ0EC1H090C	[O]		
	4030017610	S.CER ECJ0EC1H090C	[K]		
	4030017610	S.CER ECJ0EC1H090C	[D]		
	4030017610	S.CER ECJ0EC1H090C	[P]		
	4030017610	S.CER ECJ0EC1H090C	[E]		
	4030017610	S.CER ECJ0EC1H090C	[F]		
4030017610	S.CER ECJ0EC1H090C	[G]			
C291	4030017610	S.CER ECJ0EC1H090C	[L]	B 94.9/44.7	
	4030017610	S.CER ECJ0EC1H090C	[I]		
	4030017600	S.CER ECJ0EC1H080C	[H]		
	4030017580	S.CER ECJ0EC1H060C	[C]		
	4030017580	S.CER ECJ0EC1H060C	[O]		
	4030017580	S.CER ECJ0EC1H060C	[K]		
	4030017570	S.CER ECJ0EC1H040B	[D]		
	4030017570	S.CER ECJ0EC1H040B	[P]		
	4030017570	S.CER ECJ0EC1H040B	[E]		
	4030017570	S.CER ECJ0EC1H040B	[F]		
4030017570	S.CER ECJ0EC1H040B	[G]			
C292	4030017570	S.CER ECJ0EC1H040B	[L]	B 95.8/47.1	
	4030017570	S.CER ECJ0EC1H040B	[I]		
	4030017420	S.CER ECJ0EC1H470J	[H]		
	4030017420	S.CER ECJ0EC1H470J	[C]		
	4030017420	S.CER ECJ0EC1H470J	[O]		
	4030017420	S.CER ECJ0EC1H470J	[K]		
	4030017420	S.CER ECJ0EC1H470J	[D]		
	4030017420	S.CER ECJ0EC1H470J	[P]		
	4030017420	S.CER ECJ0EC1H470J	[E]		
	4030017420	S.CER ECJ0EC1H470J	[F]		
4030017420	S.CER ECJ0EC1H470J	[G]			
C293	4030017420	S.CER ECJ0EC1H470J	[L]	B 97.8/37.2	
	4030017420	S.CER ECJ0EC1H470J	[I]		
	4030017420	S.CER ECJ0EC1H470J	[H]		
	4030017420	S.CER ECJ0EC1H470J	[C]		
	4030017420	S.CER ECJ0EC1H470J	[O]		
	4030017420	S.CER ECJ0EC1H470J	[K]		
	4030017420	S.CER ECJ0EC1H470J	[D]		
	4030017420	S.CER ECJ0EC1H470J	[P]		
	4030017420	S.CER ECJ0EC1H470J	[E]		
	4030017420	S.CER ECJ0EC1H470J	[F]		
4030017420	S.CER ECJ0EC1H470J	[G]			
C294	4030017420	S.CER ECJ0EC1H470J	[L]	B 99.9/71.1	
	4030017420	S.CER ECJ0EC1H470J	[I]		
	4030017420	S.CER ECJ0EC1H470J	[H]		
	4030017420	S.CER ECJ0EC1H470J	[C]		
	4030017420	S.CER ECJ0EC1H470J	[O]		
	4030017420	S.CER ECJ0EC1H470J	[K]		
	4030017420	S.CER ECJ0EC1H470J	[D]		
	4030017420	S.CER ECJ0EC1H470J	[P]		
	4030017420	S.CER ECJ0EC1H470J	[E]		
	4030017420	S.CER ECJ0EC1H470J	[F]		
4030017420	S.CER ECJ0EC1H470J	[G]			
C295	4030017420	S.CER ECJ0EC1H470J	[L]	B 63.2/65	
	4030017420	S.CER ECJ0EC1H470J	[I]		
	4030017420	S.CER ECJ0EC1H470J	[H]		
	4030017420	S.CER ECJ0EC1H470J	[C]		
	4030017420	S.CER ECJ0EC1H470J	[O]		
	4030017420	S.CER ECJ0EC1H470J	[K]		
	4030017420	S.CER ECJ0EC1H470J	[D]		
	4030017420	S.CER ECJ0EC1H470J	[P]		
	4030017420	S.CER ECJ0EC1H470J	[E]		
	4030017420	S.CER ECJ0EC1H470J	[F]		
4030017420	S.CER ECJ0EC1H470J	[G]			
C					

[MAIN-A UNIT] (For MDC compatible versions)

REF NO.	PARTS NO.	DESCRIPTION	M.	H/V LOCATION		
C306	4030011040	S.CER GRM31M4C2H2R0CY21L (GRM42-6 CK)	[C] T	25.6/76.6		
	4030011050	S.CER GRM31M3C2H3R0CY21L (GRM42-6 CJ)	[O]			
	4030011050	S.CER GRM31M3C2H3R0CY21L (GRM42-6 CJ)	[K]			
	4030011030	S.CER GRM31M4C2H1R5CY21L (GRM42-6 CK)	[D]			
	4030011030	S.CER GRM31M4C2H1R5CY21L (GRM42-6 CK)	[P]			
	4030011040	S.CER GRM31M4C2H2R0CY21L (GRM42-6 CK)	[E]			
	4030011040	S.CER GRM31M4C2H2R0CY21L (GRM42-6 CK)	[F]			
	4030011040	S.CER GRM31M4C2H2R0CY21L (GRM42-6 CK)	[G]			
	4030011050	S.CER GRM31M3C2H3R0CY21L (GRM42-6 CJ)	[L]			
	4030011040	S.CER GRM31M4C2H2R0CY21L (GRM42-6 CK)	[I]			
	4030011030	S.CER GRM31M4C2H1R5CY21L (GRM42-6 CK)	[H]			
	C307	4030011040	S.CER GRM31M4C2H2R0CY21L (GRM42-6 CK)		[C] T	25.6/73.8
		4030011040	S.CER GRM31M4C2H2R0CY21L (GRM42-6 CK)		[O]	
		4030011040	S.CER GRM31M4C2H2R0CY21L (GRM42-6 CK)		[K]	
4030011040		S.CER GRM31M4C2H2R0CY21L (GRM42-6 CK)	[D]			
4030011020		S.CER GRM31M4C2H1R0CY21L (GRM42-6 CK)	[P]			
4030011040		S.CER GRM31M4C2H2R0CY21L (GRM42-6 CK)	[E]			
4030011040		S.CER GRM31M4C2H2R0CY21L (GRM42-6 CK)	[F]			
4030011040		S.CER GRM31M4C2H2R0CY21L (GRM42-6 CK)	[G]			
4030011040		S.CER GRM31M4C2H2R0CY21L (GRM42-6 CK)	[L]			
4030011040		S.CER GRM31M4C2H2R0CY21L (GRM42-6 CK)	[I]			
4030011040		S.CER GRM31M4C2H2R0CY21L (GRM42-6 CK)	[H]			
C308		4030011050	S.CER GRM31M3C2H3R0CY21L (GRM42-6 CJ)	[C] T	27.6/71.2	
		4030011040	S.CER GRM31M4C2H2R0CY21L (GRM42-6 CK)	[O]		
		4030011040	S.CER GRM31M4C2H2R0CY21L (GRM42-6 CK)	[K]		
	4030011040	S.CER GRM31M4C2H2R0CY21L (GRM42-6 CK)	[D]			
	4030011020	S.CER GRM31M4C2H1R0CY21L (GRM42-6 CK)	[P]			
	4030011050	S.CER GRM31M3C2H3R0CY21L (GRM42-6 CJ)	[E]			
	4030011050	S.CER GRM31M3C2H3R0CY21L (GRM42-6 CJ)	[F]			
	4030011050	S.CER GRM31M3C2H3R0CY21L (GRM42-6 CJ)	[G]			
	4030011040	S.CER GRM31M4C2H2R0CY21L (GRM42-6 CK)	[L]			
	4030011050	S.CER GRM31M3C2H3R0CY21L (GRM42-6 CJ)	[I]			
	4030011040	S.CER GRM31M4C2H2R0CY21L (GRM42-6 CK)	[H]			
	C309	4030017460	S.CER ECJ0EB1E102K	T		71.4/76.6
		4030017420	S.CER ECJ0EC1H470J	T		
		4030017460	S.CER ECJ0EB1E102K	T		
4030017730		S.CER ECJ0EB1E471K	T			
4510008680		S.ELE EEE1EA220SP	T			
4030017420		S.CER ECJ0EC1H470J	B			
4030017460		S.CER ECJ0EB1E102K	B			
4030016790		S.CER ECJ0EB1C103K	B			
4030016970		S.CER ECJ0EB1C223K	[C] B			
4030016930		S.CER ECJ0EB1A104K	[O]			
4030016930		S.CER ECJ0EB1A104K	[K]			
4030016970		S.CER ECJ0EB1C223K	[D]			
4030016930		S.CER ECJ0EB1A104K	[P]			
4030016970		S.CER ECJ0EB1C223K	[E]			
4030016970		S.CER ECJ0EB1C223K	[F]			
4030016970		S.CER ECJ0EB1C223K	[G]			
4030016930		S.CER ECJ0EB1A104K	[L]			
4030016970	S.CER ECJ0EB1C223K	[I]				
C318	4030017460	S.CER ECJ0EB1E102K	[H] T	34.9/66.7		
	4030017460	S.CER ECJ0EB1E102K	[C]			
	4030017460	S.CER ECJ0EB1E102K	[D]			
	4030017460	S.CER ECJ0EB1E102K	[E]			
	4030017460	S.CER ECJ0EB1E102K	[F]			
	4030017460	S.CER ECJ0EB1E102K	[G]			
	4030017460	S.CER ECJ0EB1E102K	[I]			
C319	4030017460	S.CER ECJ0EB1E102K	[H] B	45.3/66.9		
	4030017460	S.CER ECJ0EB1E102K	[C]			
	4030017460	S.CER ECJ0EB1E102K	[D]			
	4030017460	S.CER ECJ0EB1E102K	[E]			
	4030017460	S.CER ECJ0EB1E102K	[F]			
	4030017460	S.CER ECJ0EB1E102K	[G]			
	4030017460	S.CER ECJ0EB1E102K	[I]			
C320	4030017510	S.CER ECJ0EC1H680J	B	13.9/52.1		
	4030017460	S.CER ECJ0EB1E102K	B			

[MAIN-A UNIT] (For MDC compatible versions)

REF NO.	PARTS NO.	DESCRIPTION	M.	H/V LOCATION		
C322	4030017350	S.CER ECJ0EC1H020B	[C] B	21.2/51.2		
	4030017350	S.CER ECJ0EC1H020B	[O]			
	4030017350	S.CER ECJ0EC1H020B	[K]			
	4030017530	S.CER ECJ0EC1H0R5B	[D]			
	4030017530	S.CER ECJ0EC1H0R5B	[P]			
	4030017350	S.CER ECJ0EC1H020B	[E]			
	4030017350	S.CER ECJ0EC1H020B	[F]			
	4030017350	S.CER ECJ0EC1H020B	[G]			
	4030017350	S.CER ECJ0EC1H020B	[L]			
	4030017350	S.CER ECJ0EC1H020B	[I]			
	4030017350	S.CER ECJ0EC1H0R5B	[H]			
	C324	4030017420	S.CER ECJ0EC1H470J		T	90.1/41.7
		4030017460	S.CER ECJ0EB1E102K		T	
	C325	4030017460	S.CER ECJ0EB1E102K		B	73.2/67.6
C326	4030017420	S.CER ECJ0EC1H470J	B	40.5/67.3		
C327	4030017460	S.CER ECJ0EB1E102K	B	83.9/79.3		
C328	4030017420	S.CER ECJ0EC1H470J	B	82.9/79.3		
C329	4030017400	S.CER ECJ0EC1H220J	B	81.9/79.3		
C330	4510008540	S.ELE EEE1CA100SR	T	96.7/53.9		
C331	4510008540	S.ELE EEE1CA100SR	T	60.6/55.1		
C332	4030017780	S.CER ECJ0EB1E472K	B	53.5/66.1		
C334	4030017460	S.CER ECJ0EB1E102K	B	50.8/70.2		
C335	4030017460	S.CER ECJ0EB1E102K	B	48.7/69.4		
C336	4030011030	S.CER GRM31M4C2H1R5CY21L (GRM42-6 CK)	[O] T	14.3/56.9		
	4030011030	S.CER GRM31M4C2H1R5CY21L (GRM42-6 CK)	[K]			
	4030011030	S.CER GRM31M4C2H1R5CY21L (GRM42-6 CK)	[L]			
	C337	4030017600	S.CER ECJ0EC1H080C		[C] B	28.2/53.7
		4030017600	S.CER ECJ0EC1H080C		[O]	
		4030017600	S.CER ECJ0EC1H080C		[K]	
		4030017380	S.CER ECJ0EC1H050B		[D]	
		4030017380	S.CER ECJ0EC1H050B		[P]	
		4030017600	S.CER ECJ0EC1H080C		[E]	
		4030017600	S.CER ECJ0EC1H080C		[F]	
	C338	4030017600	S.CER ECJ0EC1H080C		[G] B	79.1/69.1
		4030017600	S.CER ECJ0EC1H080C		[L]	
		4030017600	S.CER ECJ0EC1H080C		[I]	
		4030017380	S.CER ECJ0EC1H050B		[H]	
4510008540		S.ELE EEE1CA100SR	T			
4030017460		S.CER ECJ0EB1E102K	T			
4030017460		S.CER ECJ0EB1E102K	T			
C340	4030017460	S.CER ECJ0EB1E102K	T	79.1/62.1		
	4030016790	S.CER ECJ0EB1C103K	T			
C341	4030016790	S.CER ECJ0EB1C103K	T	63.5/55.5		
C342	4030017200	S.CER GRM31BR32J102KY01L (GHM1030 R)	T	68.1/52.3		
C343	4030011050	S.CER GRM31M3C2H3R0CY21L (GRM42-6 CJ)	[C] T	26.8/61.7		
	4030011050	S.CER GRM31M3C2H3R0CY21L (GRM42-6 CJ)	[O]			
	4030011050	S.CER GRM31M3C2H3R0CY21L (GRM42-6 CJ)	[K]			
	4030011040	S.CER GRM31M4C2H2R0CY21L (GRM42-6 CK)	[D]			
	4030011040	S.CER GRM31M4C2H2R0CY21L (GRM42-6 CK)	[P]			
	4030011050	S.CER GRM31M3C2H3R0CY21L (GRM42-6 CJ)	[E]			
	4030011050	S.CER GRM31M3C2H3R0CY21L (GRM42-6 CJ)	[F]			
	4030011050	S.CER GRM31M3C2H3R0CY21L (GRM42-6 CJ)	[G]			
	4030011050	S.CER GRM31M3C2H3R0CY21L (GRM42-6 CJ)	[L]			
	4030011050	S.CER GRM31M3C2H3R0CY21L (GRM42-6 CJ)	[I]			
	4030011040	S.CER GRM31M4C2H2R0CY21L (GRM42-6 CK)	[H]			
	C344	4030011050	S.CER GRM31M3C2H3R0CY21L (GRM42-6 CJ)		T	20.9/63.3
		4030011050	S.CER GRM31M3C2H3R0CY21L (GRM42-6 CJ)		T	
	C345	4030011050	S.CER GRM31M3C2H3R0CY21L (GRM42-6 CJ)		[C] T	18.3/58.5
4030011060		S.CER GRM31M2C2H4R0CY21L (GRM42-6 CH)	[O]			
4030011060		S.CER GRM31M2C2H4R0CY21L (GRM42-6 CH)	[K]			
4030011060		S.CER GRM31M3C2H3R0CY21L (GRM42-6 CJ)	[D]			
4030011050		S.CER GRM31M3C2H3R0CY21L (GRM42-6 CJ)	[P]			
4030011050		S.CER GRM31M3C2H3R0CY21L (GRM42-6 CJ)	[E]			
4030011050		S.CER GRM31M3C2H3R0CY21L (GRM42-6 CJ)	[F]			
4030011050		S.CER GRM31M3C2H3R0CY21L (GRM42-6 CJ)	[G]			
4030011060		S.CER GRM31M2C2H4R0CY21L (GRM42-6 CH)	[L]			
4030011050		S.CER GRM31M3C2H3R0CY21L (GRM42-6 CJ)	[I]			
4030011060		S.CER GRM31M3C2H3R0CY21L (GRM42-6 CJ)	[H]			
C346		4030011070	S.CER GRM31M2C2H5R0CY21L (GRM42-6 CH)	T	34.3/58.3	
		4030017520	S.CER ECJ0EC1H0R3B	T		
C347		4030017460	S.CER ECJ0EB1E102K	B	33.7/61.7	
C348	4030017460	S.CER ECJ0EB1E102K	B	39.7/61.7		
C349	4030011060	S.CER GRM31M2C2H4R0CY21L (GRM42-6 CH)	T	10.3/61.7		

M.=Mounted side (T: Mounted on the Top side, B: Mounted on the Bottom side) S.=Surface mount

[MAIN-A UNIT] (For MDC compatible versions)

REF NO.	PARTS NO.	DESCRIPTION	M.	H/V LOCATION		
C350	4030011070	S.CER GRM31M2C2H5R0CY21L (GRM42-6 CH)	[C] T	12.9/65.2		
	4030011060	S.CER GRM31M2C2H4R0CY21L (GRM42-6 CH)	[O]			
	4030011060	S.CER GRM31M2C2H4R0CY21L (GRM42-6 CH)	[K]			
	4030011050	S.CER GRM31M3C2H3R0CY21L (GRM42-6 CJ)	[D]			
	4030011050	S.CER GRM31M3C2H3R0CY21L (GRM42-6 CJ)	[P]			
	4030011070	S.CER GRM31M2C2H5R0CY21L (GRM42-6 CH)	[E]			
	4030011070	S.CER GRM31M2C2H5R0CY21L (GRM42-6 CH)	[F]			
	4030011070	S.CER GRM31M2C2H5R0CY21L (GRM42-6 CH)	[G]			
	4030011060	S.CER GRM31M2C2H4R0CY21L (GRM42-6 CH)	[L]			
	4030011070	S.CER GRM31M2C2H5R0CY21L (GRM42-6 CH)	[I]			
C351	4030016930	S.CER ECJ0EB1A104K	T	110.8/66.5		
	4030017460	S.CER ECJ0EB1E102K	B			
	4550006250	S.TAN TEESVA 1A 106M8R	B			
	4550006250	S.TAN TEESVA 1A 106M8R	B			
	4030017420	S.CER ECJ0EC1H470J	B			
	C356	4030011070	S.CER GRM31M2C2H5R0CY21L (GRM42-6 CH)		[C] T	15.7/65.2
		4030011070	S.CER GRM31M2C2H5R0CY21L (GRM42-6 CH)		[O]	
		4030011070	S.CER GRM31M2C2H5R0CY21L (GRM42-6 CH)		[K]	
		4030011060	S.CER GRM31M2C2H4R0CY21L (GRM42-6 CH)		[D]	
		4030011060	S.CER GRM31M2C2H4R0CY21L (GRM42-6 CH)		[P]	
4030011070		S.CER GRM31M2C2H5R0CY21L (GRM42-6 CH)	[E]			
4030011070		S.CER GRM31M2C2H5R0CY21L (GRM42-6 CH)	[F]			
4030011070		S.CER GRM31M2C2H5R0CY21L (GRM42-6 CH)	[G]			
4030011070		S.CER GRM31M2C2H5R0CY21L (GRM42-6 CH)	[L]			
4030011060		S.CER GRM31M2C2H4R0CY21L (GRM42-6 CH)	[I]			
C357	4030011060	S.CER GRM31M2C2H4R0CY21L (GRM42-6 CH)	[C] T	4.2/63.3		
	4030011060	S.CER GRM31M2C2H4R0CY21L (GRM42-6 CH)	[O]			
	4030011060	S.CER GRM31M2C2H4R0CY21L (GRM42-6 CH)	[K]			
	4030011030	S.CER GRM31M4C2H1R5CY21L (GRM42-6 CK)	[D]			
	4030011030	S.CER GRM31M4C2H1R5CY21L (GRM42-6 CK)	[P]			
	4030011060	S.CER GRM31M2C2H4R0CY21L (GRM42-6 CH)	[E]			
	4030011060	S.CER GRM31M2C2H4R0CY21L (GRM42-6 CH)	[F]			
	4030011060	S.CER GRM31M2C2H4R0CY21L (GRM42-6 CH)	[G]			
	4030011060	S.CER GRM31M2C2H4R0CY21L (GRM42-6 CH)	[L]			
	4030011060	S.CER GRM31M2C2H4R0CY21L (GRM42-6 CH)	[I]			
C358	4030009530	S.CER C1608 CH 1H 030B-T	B	10.7/61.4		
	4030006860	S.CER C1608 JB 1H 102K-T	B			
	4030017460	S.CER ECJ0EB1E102K	B			
	4030017460	S.CER ECJ0EB1E102K	T			
	4030017460	S.CER ECJ0EB1E102K	T			
	4510008540	S.ELE EEE1CA100SR	T			
	4550007650	S.TAN F931V105MAABMA	B			
	4550007650	S.TAN F931V105MAABMA	B			
	4550007650	S.TAN F931V105MAABMA	B			
	4550007650	S.TAN F931V105MAABMA	B			
C370	4030011050	S.CER GRM31M3C2H3R0CY21L (GRM42-6 CJ)	[C] T	5.3/81.1		
	4030011060	S.CER GRM31M2C2H4R0CY21L (GRM42-6 CH)	[O]			
	4030011060	S.CER GRM31M2C2H4R0CY21L (GRM42-6 CH)	[K]			
	4030011040	S.CER GRM31M4C2H2R0CY21L (GRM42-6 CK)	[D]			
	4030011040	S.CER GRM31M4C2H2R0CY21L (GRM42-6 CK)	[P]			
	4030011050	S.CER GRM31M3C2H3R0CY21L (GRM42-6 CJ)	[E]			
	4030011050	S.CER GRM31M3C2H3R0CY21L (GRM42-6 CJ)	[F]			
	4030011050	S.CER GRM31M3C2H3R0CY21L (GRM42-6 CJ)	[G]			
	4030011060	S.CER GRM31M2C2H4R0CY21L (GRM42-6 CH)	[L]			
	4030011050	S.CER GRM31M3C2H3R0CY21L (GRM42-6 CJ)	[I]			

[MAIN-A UNIT] (For MDC compatible versions)

REF NO.	PARTS NO.	DESCRIPTION	M.	H/V LOCATION
C371	4030017460	S.CER ECJ0EB1E102K	B	2.9/80.8
C372	4030006860	S.CER C1608 JB 1H 102K-T	B	8.3/79.6
C373	4030016790	S.CER ECJ0EB1C103K	B	130.6/51.7
C374	4030016930	S.CER ECJ0EB1A104K	B	132.8/51.3
C375	4030016930	S.CER ECJ0EB1A104K	B	132.4/54.6
C377	4030017460	S.CER ECJ0EB1E102K	T	104.7/52.9
C378	4030017460	S.CER ECJ0EB1E102K	B	105.1/80.9
C379	4030016930	S.CER ECJ0EB1A104K	B	110.5/84.5
C380	4030017460	S.CER ECJ0EB1E102K	T	120.9/85.3
C381	4030016790	S.CER ECJ0EB1C103K	B	135.9/70.5
C382	4510008680	S.ELE EEE1EA220SP	T	68.6/63.4
C383	4030017460	S.CER ECJ0EB1E102K	B	135.9/71.5
C384	4510008870	S.ELE EEE1AA471UP	T	129.9/64.9
C386	4030016930	S.CER ECJ0EB1A104K	B	138.8/53.7
C387	4030017730	S.CER ECJ0EB1E471K	B	135.4/51.3
C388	4030018860	S.CER ECJ0EB0J105K	B	138.7/52.2
C389	4030016930	S.CER ECJ0EB1A104K	B	139.1/48.5
C390	4030016930	S.CER ECJ0EB1A104K	B	137.8/55.4
C391	4030016930	S.CER ECJ0EB1A104K	T	107.6/80
C392	4030017460	S.CER ECJ0EB1E102K	B	131.3/74.7
C393	4030017460	S.CER ECJ0EB1E102K	B	98.3/79.2
C394	4030017420	S.CER ECJ0EC1H470J	B	115.4/68
C395	4030017460	S.CER ECJ0EB1E102K	B	128.8/76.7
C397	4030017460	S.CER ECJ0EB1E102K	B	100.8/86.3
C398	4030017420	S.CER ECJ0EC1H470J	B	99.8/86.3
C399	4030018860	S.CER ECJ0EB0J105K	B	134.5/34.8
C400	4030016930	S.CER ECJ0EB1A104K	B	136.9/37
C411	4510008780	S.ELE EEE1EA471P	T	117.2/63.6
C412	4510008780	S.ELE EEE1EA471P	T	132.7/54.3
C413	4030018900	S.CER ECJ0EB0J474K	B	135.1/46.8
C414	4510008540	S.ELE EEE1CA100SR	T	113.9/50.1
C415	4030016930	S.CER ECJ0EB1A104K	B	103/23.8
C416	4030016930	S.CER ECJ0EB1A104K	B	121/51.5
C417	4030016790	S.CER ECJ0EB1C103K	B	113.8/51.7
C418	4030017460	S.CER ECJ0EB1E102K	B	102.3/57.9
C419	4030016790	S.CER ECJ0EB1C103K	T	42.3/39.1
C420	4030017420	S.CER ECJ0EC1H470J	T	39.8/37.4
C421	4030016930	S.CER ECJ0EB1A104K	B	36.1/24.2
C422	4030016790	S.CER ECJ0EB1C103K	T	42.9/33
C423	4030007090	S.CER C1608 CH 1H 470J-T	T	33.6/38.9
C424	4030016930	S.CER ECJ0EB1A104K	T	33.6/41.3
C425	4030017460	S.CER ECJ0EB1E102K	B	134.8/66.1
C426	4030011030	S.CER GRM31M4C2H1R5CY21L (GRM42-6 CK)	[C] T	29.2/75.2
4030011020	S.CER GRM31M4C2H1R0CY21L (GRM42-6 CK)	[O]		
4030011020	S.CER GRM31M4C2H1R0CY21L (GRM42-6 CK)	[K]		
4030011020	S.CER GRM31M4C2H1R0CY21L (GRM42-6 CK)	[D]		
4030011020	S.CER GRM31M4C2H1R0CY21L (GRM42-6 CK)	[P]		
4030011030	S.CER GRM31M4C2H1R5CY21L (GRM42-6 CK)	[E]		
4030011030	S.CER GRM31M4C2H1R5CY21L (GRM42-6 CK)	[F]		
4030011030	S.CER GRM31M4C2H1R5CY21L (GRM42-6 CK)	[G]		
4030011020	S.CER GRM31M4C2H1R0CY21L (GRM42-6 CK)	[L]		
4030011030	S.CER GRM31M4C2H1R5CY21L (GRM42-6 CK)	[I]		
4030011020	S.CER GRM31M4C2H1R0CY21L (GRM42-6 CK)	[H]		
C427	4030017530	S.CER ECJ0EC1H0R5B	B	19.5/36.6
C428	4030018110	S.CER ECJ0EB1H272K	T	25.6/9
C429	4030016790	S.CER ECJ0EB1C103K	B	138.4/51
C430	4030018860	S.CER ECJ0EB0J105K	B	110.4/10.7
C431	4030017460	S.CER ECJ0EB1E102K	B	114.2/11.7
C432	4030017420	S.CER ECJ0EC1H470J	B	119.4/69.8
C433	4030017460	S.CER ECJ0EB1E102K	B	119.4/70.8
C435	4030016930	S.CER ECJ0EB1A104K	T	8.9/7.8
C436	4030016930	S.CER ECJ0EB1A104K	B	56/38.5
C437	4030016930	S.CER ECJ0EB1A104K	B	25.1/8.8
C438	4030016930	S.CER ECJ0EB1A104K	B	32.8/5.5
C440	4030016930	S.CER ECJ0EB1A104K	B	25.1/7.2
C441	4030016930	S.CER ECJ0EB1A104K	B	26/5.6
C442	4030016930	S.CER ECJ0EB1A104K	B	26.9/8.8
C443	4030017040	S.CER ECJ0EB1A333K	B	34.5/8.2
C444	4030016930	S.CER ECJ0EB1A104K	T	22.3/10.2
C445	4030017650	S.CER ECJ0EC1H270J	B	32.8/6.4
C446	4030017590	S.CER ECJ0EC1H070C	T	23/20.4
C447	4030017340	S.CER ECJ0EC1H010B	B	17.1/37.7
C448	4030017340	S.CER ECJ0EC1H010B	[C] [O]	12.5/36.9
	4030017340	S.CER ECJ0EC1H010B	[K]	
	4030017460	S.CER ECJ0EB1E102K	[D]	
	4030017460	S.CER ECJ0EB1E102K	[P]	
	4030017340	S.CER ECJ0EC1H010B	[E]	
	4030017340	S.CER ECJ0EC1H010B	[F]	
	4030017340	S.CER ECJ0EC1H010B	[G]	
	4030017340	S.CER ECJ0EC1H010B	[L]	
	4030017340	S.CER ECJ0EC1H010B	[I]	
	4030017460	S.CER ECJ0EB1E102K	[H]	

M.=Mounted side (T: Mounted on the Top side, B: Mounted on the Bottom side) S.=Surface mount

[MAIN-A UNIT] (For MDC compatible versions)

REF NO.	PARTS NO.	DESCRIPTION	M.	H/V LOCATION		
C449	4030017530	S.CER ECJ0EC1H0R5B	[C]	T 65.6/42.5		
	4030017530	S.CER ECJ0EC1H0R5B	[K]			
	4030017530	S.CER ECJ0EC1H0R5B	[E]			
	4030017530	S.CER ECJ0EC1H0R5B	[F]			
	4030017530	S.CER ECJ0EC1H0R5B	[G]			
	4030017530	S.CER ECJ0EC1H0R5B	[L]			
	4030017530	S.CER ECJ0EC1H0R5B	[I]			
	C450	4030017560	S.CER ECJ0EC1H2R5B		[C]	T 65.6/36
		4030017560	S.CER ECJ0EC1H2R5B		[O]	
		4030017560	S.CER ECJ0EC1H2R5B		[K]	
4030017560		S.CER ECJ0EC1H2R5B	[E]			
4030017560		S.CER ECJ0EC1H2R5B	[F]			
4030017560		S.CER ECJ0EC1H2R5B	[G]			
4030017560		S.CER ECJ0EC1H2R5B	[L]			
4030017560		S.CER ECJ0EC1H2R5B	[I]			
C451		4030018860	S.CER ECJ0EB0J105K	B	92.6/6.6	
C452		4030019120	S.CER GRM188B31E105KA75D	B	129.7/64.1	
C453	4030016930	S.CER ECJ0EB1A104K	B	132.1/55.8		
J1	6510026770	S.CON AXK540147YG	T	124.5/9.7		
J2	6510026770	S.CON AXK540147YG	T	101.5/9.7		
J3	6510021301	S.CON 52365-1071	T	90.3/62.6		
J5	6510023092	S.CON 20FLT-SM2-TB(LF)(SN)(M)	T	108.3/83.2		
J7	6450000140	S.CON HSJ0807-01-010	T			
J10	6510023092	S.CON 20FLT-SM2-TB(LF)(SN)(M)	T	71/7		
W1	7030012290	JUM RDS2T0R0				
W2	8900016250	CAB OPC-1701 <CMI>T/H!				
EP2	6910015370	S.BEA ACZ1005Y-102-T	B	60.4/28.3		
EP3	6910015370	S.BEA ACZ1005Y-102-T	T	85.7/30		
EP4	6910010280	BEA HF70BB9.5X10.4X4.9				
EP5	6910010280	BEA HF70BB9.5X10.4X4.9				
EP6	6910015370	S.BEA ACZ1005Y-102-T	T	79.6/41.5		
EP7	6910011560	BEA HF70BB4.5X5X1.6				
EP8	0880002600	UNI EX-2887 [K] UT-126H	[G]			
	0880002600	UNI EX-2887 [K] UT-126H	[L]			
	0880002600	UNI EX-2887 [K] UT-126H	[I]			
	0880002600	UNI EX-2887 [K] UT-126H	[H]			

[MAIN-B UNIT] (For F6061-L, F6061D-L)

REF NO.	PARTS NO.	DESCRIPTION	M.	H/V LOCATION
IC1	1110005340	S.IC NJM12902V	T	82.3/12.9
IC2	1110006221	S.IC AK2346P	B	44.7/11.7
IC3	1140013200	S.IC CD4053B PWR	B	58.7/9.3
IC4	1130010100	S.IC LMX2352TM	T	83.3/46
IC5	1110003491	S.IC TA31136FNG(D)	T	28/13.9
IC6	1190001350	S.IC M62364FP	B	84.9/12.9
IC7	1110005340	S.IC NJM12902V	T	107.3/43
IC8	1140013200	S.IC CD4053B PWR	B	58.7/16.1
IC9	1130012960	S.IC BU8872FS	B	133.1/21.3
IC10	1190002051	S.IC SPM5001-E	B	33.8/36.9
IC12	1190001340	S.IC M62334FP	B	9.1/25.7
IC13	1110005771	S.IC S-80942CNMC-G9C G	B	126/44.8
IC14	1140014550	S.IC HD64F2506RFC26DV(EMPTY)	B	111.8/35.7
IC15	1150002231	IC RA55H3340M-121		
IC16	1140014160	S.IC 24LC1025T-I/SM	B	133.3/29
IC17	1110002751	S.IC TA75S01F F	B	55.8/66.7
IC18	1180000970	S.IC AN78L05M	B	113/65.3
IC19	1120002510	S.IC DS14C232TM	T	104.7/69
IC20	1180001251	S.IC TA7808F Q	B	121.5/65.8
IC21	1110003091	IC LA4425A E		
IC22	1110002751	S.IC TA75S01F F	B	135.5/54.4
IC23	1130006221	S.IC TC4W53FU F	B	109.6/12.9
IC25	1110006230	S.IC NJM2711F	B	30.1/7.1
Q1	1590003231	S.TRA UNR9113G0	B	16.5/6.1
Q3	1530002851	S.TRA 2SC4116 BL F	B	36.5/15.5
Q4	1590001650	S.TRA XP4601	B	92.8/12.4
Q5	1560000541	S.FET 2SK880 Y F	B	81.3/41
Q6	1530002851	S.TRA 2SC4116 BL F	B	50.6/28.4
Q7	1560000541	S.FET 2SK880 Y F	B	82.4/30.6
Q8	1530002851	S.TRA 2SC4116 BL F	B	79.3/37.8
Q9	1560002851	S.TRA 2SC4116 BL F	B	82.1/35.4
Q10	1560001360	S.FET 2SK3019	B	76.5/45.2
Q12	1530002601	S.TRA 2SC4215 O F	T	26.8/19.2
Q16	1590003291	S.TRA UNR9213G0	T	113.1/46.6
Q17	1530002920	S.TRA 2SC4226 R25	T	61.1/42.8
Q18	1530002920	S.TRA 2SC4226 R25	T	61.1/36.3
Q19	1530002920	S.TRA 2SC4226 R25	T	60.7/28.9
Q20	1590003231	S.TRA UNR9113G0	B	34.1/24.9
Q22	1530003311	S.TRA 2SC5107 O F	B	56.7/33.6
Q23	1590001400	S.TRA XP1214	B	57.6/40.5
Q24	1590003291	S.TRA UNR9213G0	B	55/40.5
Q25	1530004110	S.TRA MT3S37T	T	55.2/36.9
Q26	1590001400	S.TRA XP1214	B	56.6/33.5
Q27	1590003231	S.TRA UNR9113G0	T	126.2/48.7
Q28	1590003291	S.TRA UNR9213G0	B	123/46.1
Q29	1530003311	S.TRA 2SC5107 O F	T	50.8/35.5
Q30	1530003311	S.TRA 2SC5107 O F	B	64.3/62.9
Q31	1580000731	S.FET 3SK293 F	B	9.5/38.8
Q32	1560000841	S.FET 2SK1829 F	T	9.8/40.4
Q33	1530002851	S.TRA 2SC4116 BL F	B	47.3/66.2
Q34	1590003291	S.TRA UNR9213G0	T	83/67.4
Q35	1520000460	S.TRA 2SB1132 R	T	100.1/57.9
Q36	1590001190	S.TRA XP6501 AB	T	104.3/55.8
Q37	1540000550	S.TRA 2SD1664 Q	T	75.5/63.6
Q38	1510000920	S.TRA 2SA1577 Q	T	64.9/54.1
Q39	1590003291	S.TRA UNR9213G0	T	68.5/54.8
Q40	1590003291	S.TRA UNR9213G0	T	103/52.9
Q41	1590001451	S.FET 2SJ144 GR F	B	114.7/85.7
Q42	1590003291	S.TRA UNR9213G0	B	131.7/43.6
Q43	1590000990	S.TRA DTC363EK	B	135.7/49
Q44	1590003291	S.TRA UNR9213G0	T	108.9/20.3
Q45	1590003291	S.TRA UNR9213G0	B	133.3/58.9
Q46	1590003291	S.TRA UNR9213G0	T	119.2/85.6
Q47	1550000100	S.FET 2SJ377 (TE16L1 NQ)	B	131.3/71.5
Q48	1590003291	S.TRA UNR9213G0	B	127.4/77.8
Q49	1530002851	S.TRA 2SC4116 BL F	B	138.7/37.1
Q50	1530002601	S.TRA 2SC4215 O F	T	40.2/39
Q51	1590003321	S.FET TPC6103 F	B	133.6/63.4
Q52	1590003291	S.TRA UNR9213G0	B	128.2/61.1
Q53	1530000372	S.TRA 2SC3356 R24	B	68.4/68
Q54	1590003291	S.TRA UNR9213G0	B	51.9/67.1
Q55	1560001360	S.FET 2SK3019	T	74.1/20.3
Q56	1560001360	S.FET 2SK3019	T	24.7/7.2
Q57	1590003291	S.TRA UNR9213G0	T	111.1/13.4
Q58	1530002851	S.TRA 2SC4116 BL F	B	27/10.8
Q59	1590003291	S.TRA UNR9213G0	B	96.1/10
Q60	1590003291	S.TRA UNR9213G0	B	96.1/12.3
D1	1750001070	S.DIO DAN235E	T	8.8/14.9
D2	1750001070	S.DIO DAN235E	T	22.5/7.7
D4	1790001261	S.DIO MA2S077G0	T	52.5/43.6
D5	1790001261	S.DIO MA2S077G0	T	52.5/41
D6	1750001070	S.DIO DAN235E	T	29.2/20.9
D7	1160000140	S.DIO DAP222	T	59/13.8
D8	1750000711	S.VAR HVC350B-E	T	68.2/42.7
D9	1750001150	S.VAR HVC383B	T	70.5/44.7
D10	1750000711	S.VAR HVC350B-E	T	68.2/36.2
D11	1750001150	S.VAR HVC383B	T	70.5/38.2
D12	1750000711	S.VAR HVC350B-E	T	68.2/29.7
D13	1750001150	S.VAR HVC383B	T	70.5/31.7
D14	1720000570	S.VAR MA368	T	65.8/33.3
D15	1750000711	S.VAR HVC350B-E	B	5.5/43.5
D16	1750000711	S.VAR HVC350B-E	B	6.8/43.5
D17	1750000711	S.VAR HVC350B-E	B	6.8/50.1
D18	1750000711	S.VAR HVC350B-E	B	5.5/50.1
D19	1160000140	S.DIO DAP222	B	120.3/17.6
D21	1750001070	S.DIO DAN235E	T	31.9/37.5
D22	1750000520	S.DIO DAN222	T	125.4/51
D23	1790001261	S.DIO MA2S077G0	T	125/38.9
D24	1750000581	S.DIO 1SV307 F	B	50.8/47.1
D25	1790001261	S.DIO MA2S077G0	B	48.3/46
D26	1750000711	S.VAR HVC350B-E	B	14.1/36.1

M.=Mounted side (T: Mounted on the Top side, B: Mounted on the Bottom side)
S.=Surface mount

[MAIN-B UNIT] (For F6061-L, F6061D-L)

REF NO.	PARTS NO.	DESCRIPTION	M.	H/V LOCATION
D27	1750000711	S.VAR HVC350B-E	B	10.7/34.4
D30	1750000711	S.VAR HVC350B-E	B	18.3/36.2
D31	1790001251	S.DIO MA2S1110G	T	6.2/42.2
D35	1790001621	S.DIO 1SV308 F	B	20.5/9.0
D36	1790001241	S.DIO MA2S7280G	B	11.9/50.8
D37	1750000370	S.DIO DA221	T	75.2/68
D39	1710001061	DIODE L407CD		
D42	1750001360	S.DIO L709CE	T	26.5/58
D45	1750000520	S.DIO DAN222	T	91.8/57.5
D46	1750000520	S.DIO DAN222	T	89.6/57.5
D47	1790001211	S.DIO 1SS375 E	B	37.7/61.7
D48	1750000520	S.DIO DAN222	B	95.5/55.5
D49	1790000661	S.DIO MA2J7280GL	B	8.9/57.1
D50	1750000370	S.DIO DA221	B	98.8/66.5
D51	1790000661	S.DIO MA2J7280GL	B	5.2/79.3
D52	1750000520	S.DIO DAN222	B	132.6/40.8
D53	1790001251	S.DIO MA2S1110G	B	133.3/47.3
D55	1750000370	S.DIO DA221	B	98.8/63
D56	1750000370	S.DIO DA221	B	96.7/63
D57	1750000370	S.DIO DA221	B	96.7/66.5
D58	1750000520	S.DIO DAN222	B	101.2/83.1
D59	1750000520	S.DIO DAN222	B	101.2/81
D62	1790000700	DIODE DSA3A1		
D63	1750000520	S.DIO DAN222	B	112.3/82.2
D65	1750000520	S.DIO DAN222	B	129.7/58.9
D66	1790001621	S.DIO 1SV308 F	T	29.5/36.7
D67	1790001621	S.DIO 1SV308 F	T	34.3/36.7
D68	1790001621	S.DIO 1SV308 F	T	28.7/23.3
D69	1790001621	S.DIO 1SV308 F	T	30/23.3
D70	1730002411	S.ZEN MAZ8200GH	T	120/83.6
D71	1750000520	S.DIO DAN222	B	94.6/62.3
D72	1750000520	S.DIO DAN222	B	94.8/59.1
F11	2020002500	CERA LT450GW		
F12	2020002510	CERA LTW450HT		
F13	2030000500	S.MON FL-401(46.35MHZ)	T	24.7/28.5
F14	2030000670	S.MON FL-420	T	35.6/28.4
F15	2040001440	S.LC NFM60R20T152	B	94.5/77
F16	2040001440	S.LC NFM60R20T152	B	94.5/73.7
F17	2040001440	S.LC NFM60R20T152	B	94.5/70.4
X1	6050012380	S.XTAL CR-826(15.3MHZ)DSA535SD	T	86.1/34.6
X2	6050011730	S.XTAL CR-765	T	48.6/12
X3	6070000300	S.DIS JTBM450CX24	T	37.1/10.3
X4	6050012320	S.XTAL CR-818(4.194304MHZ SMD-49TA)	T	139.1/21.9
X5	6050011720	S.XTAL CR-764	T	120.4/44.4
L1	6200004660	S.COI MLF1608A 1R8K 1.8U	B	80.7/52.1
L2	6200003540	S.COI MLF1608D R22K 0.22U	B	34.4/14.7
L3	6200004480	S.COI MLF1608D R82K 0.82U	B	29.6/16.2
L4	6200005671	S.COI ELJRE 12NGFA 12N	T	54.4/43.9
L5	6200004741	S.COI NLV25T 1R2J 1.2U	T	72.9/43.5
L6	6200004741	S.COI NLV25T 1R2J 1.2U	T	70.4/41
L7	6200004741	S.COI NLV25T 1R2J 1.2U	T	72.9/37
L8	6200004741	S.COI NLV25T 1R2J 1.2U	T	72.9/30.5
L9	6200004741	S.COI NLV25T 1R2J 1.2U	T	70.4/28
L10	6200013580	S.COI 0.30-0.9-4TR 5PER	T	67.1/44.7
L12	6200013580	S.COI 0.30-0.9-4TR 5PER	T	67.1/38.2
L13	6200004741	S.COI NLV25T 1R2J 1.2U	T	70.4/34.5
L15	6200013630	S.COI 0.30-0.9-3TR 5.8N 5PER	T	67.1/31.4
L16	6200009980	S.COI C2012C-18NG	B	21.1/35.6
L17	6200004741	S.COI NLV25T 1R2J 1.2U	T	57.7/30
L18	6130003000	S.COI 617DB-1714	B	39/36.2
L19	6130003000	S.COI 617DB-1714	B	34.5/42.6
L20	6200005741	S.COI ELJRE 47NGFA 47N	T	54.2/32.6
L21	6200005671	S.COI ELJRE 12NGFA 12N	T	54.4/39.1
L22	6200005731	S.COI ELJRE 39NGFA 39N	B	40.2/46
L23	6200005731	S.COI ELJRE 39NGFA 39N	B	42.9/46
L24	6130003000	S.COI 617DB-1714	B	27/36.2
L25	6200005731	S.COI ELJRE 39NGFA 39N	T	50/38.4
L26	6200009980	S.COI C2012C-18NG	B	15.9/35.6
L27	6200005721	S.COI ELJRE 33NGFA 33N	B	65.2/65.4
L28	6200009980	S.COI C2012C-18NG	B	7/36.7
L30	6200005701	S.COI ELJRE 22NGFA 22N	T	73.5/73.7
L31	6200010310	S.COI C2012C-27NG	B	9.2/44.8
L32	6200010310	S.COI C2012C-27NG	B	9.2/48.8
L33	6200010150	S.COI AS080340-15N	T	32.6/75.2
L34	6200010100	S.COI C2012C-33NG	B	13.7/50
L35	6200005691	S.COI ELJRE 18NGFA 18N	B	23/50.7
L36	6200010420	S.COI FHW1210HC 1R0JGB 1U	B	31.2/68
L37	6200010150	S.COI AS080340-15N	T	30.3/58.1
L38	6200010150	S.COI AS080340-15N	T	22.2/58.3
L39	6200010150	S.COI AS080340-15N	T	14.3/60.3
L40	6200010150	S.COI AS080340-15N	T	10.3/82.4
L41	6200002861	S.COI NLV25T 4R7J 4.7U	T	11.3/55.1
L42	6200005011	S.COI NLV25T 100J 10U	T	40.1/41.6
L43	6200010680	S.COI C2520C R22G 0.22U	T	41.2/35.1
L44	6200010740	S.COI C2520C R27G 0.27U	T	35.9/39.5
L45	6200010150	S.COI AS080340-15N	T	6.4/58.3
L46	6200005721	S.COI ELJRE 33NGFA 33N	B	71.1/68.8
L49	6200004480	S.COI MLF1608D R82K 0.82U	T	23.3/19.4
R1	7030005060	S.RES 33K ERJ2GE	B	38.6/6
R2	7510001730	S.THE ERTJ0EP473J	T	89.3/32.2
R3	7030005050	S.RES 10K ERJ2GE	B	78.5/11.6
R4	7030009150	S.RES 820K ERJ2GE	B	88.8/18.5
R5	7030005090	S.RES 100K ERJ2GE	T	89.8/33.5
R6	7030005170	S.RES 470K ERJ2GE	T	87.7/19.4
R7	7030005230	S.RES 330K ERJ2GE	T	84.3/17.5
R8	7410001130	S.ARR EXB28V102J 1K	T	86.9/52.4
R9	7030007570	S.RES 1.2K ERJ2GE	B	35.4/11.4
R10	7030007060	S.RES 680K ERJ2GE	B	35.8/13.7
R11	7030010040	S.RES ERJ2GE-JPW	T	9.3/12.9
R12	7030004970	S.RES 47 ERJ2GE	T	34.1/6.4
R13	7030007340	S.RES 15K ERJ2GE	T	8.9/16.5
R14	7030007340	S.RES 15K ERJ2GE	T	9.3/9.3
R15	7030005070	S.RES 68K ERJ2GE	B	93.3/14.4
R17	7030007570	S.RES 1.2K ERJ2GE	B	93.3/15.3
R18	7030008300	S.RES 180K ERJ2GE	B	81.5/7.3
R19	7030005230	S.RES 330K ERJ2GE	T	86.3/9.9
R20	7030005090	S.RES 100K ERJ2GE	T	77.9/8.2
R21	7030005070	S.RES 68K ERJ2GE	T	88.5/8.9
R22	7030005050	S.RES 10K ERJ2GE	B	38.6/7.7
R23	7030005050	S.RES 10K ERJ2GE	B	38.6/9.4
R24	7030005060	S.RES 33K ERJ2GE	B	37.7/10.7
R25	7030005120	S.RES 1K ERJ2GE	B	101/51.6
R26	7030004980	S.RES 100 ERJ2GE	B	96/5.4
R27	7030007300	S.RES 3.3K ERJ2GE	T	53.9/5.6
R28	7030010040	S.RES ERJ2GE-JPW	T	59.6/5.4
R29	7030005330	S.RES 10 ERJ2GE	T	114.5/10.2
R30	7030005170	S.RES 470K ERJ2GE	B	37.7/9.4
R31	7030008410	S.RES 3.9K ERJ2GE	B	36.8/9
R32	7030007340	S.RES 15K ERJ2GE	B	37.7/7.7
R33	7030005160	S.RES 1M ERJ2GE	T	81/8.4
R34	7030005040	S.RES 4.7K ERJ2GE	T	79/10
R35	7030005120	S.RES 1K ERJ2GE	T	81.5/7.2
R36	7030007270	S.RES 150 ERJ2GE	B	25.8/14.4
R37	7030005210	S.RES 8.2K ERJ2GE	B	15/7.3
R38	7030007340	S.RES 15K ERJ2GE	T	22.9/5.7
R39	7030007340	S.RES 15K ERJ2GE	T	22.3/9.3
R40	7030007340	S.RES 15K ERJ2GE	T	26.9/10.6
R42	7030005090	S.RES 100K ERJ2GE	B	94.6/11.8
R43	7030007300	S.RES 3.3K ERJ2GE	B	94.6/10
R44	7030007340	S.RES 15K ERJ2GE	B	90.8/12.9
R45	7030005220	S.RES 22K ERJ2GE	B	91.6/10
R46	7030005040	S.RES 4.7K ERJ2GE	T	90.5/13.7
R47	7030005050	S.RES 10K ERJ2GE	T	90.9/12.7
R48	7030005060	S.RES 33K ERJ2GE	B	51.1/8.1
R49	7030005160	S.RES 1M ERJ2GE	B	49.9/13.6
R50	7030005090	S.RES 100K ERJ2GE	B	49.9/11
R51	7030005290	S.RES 6.8K ERJ2GE	B	52.6/8.6
R52	7030007340	S.RES 15K ERJ2GE	B	63.3/12.6
R53	7030005000	S.RES 470 ERJ2GE	T	84.4/38.2
R54	7030005120	S.RES 1K ERJ2GE	B	81.3/43.4
R55	7030007290	S.RES 2.2K ERJ2GE	B	83.5/26.5
R56	7030004980	S.RES 100 ERJ2GE	B	81.6/39.1
R57	7030005090	S.RES 100K ERJ2GE	B	28/14.3
R58	7030007340	S.RES 15K ERJ2GE	T	27/8.2
R60	7030005000	S.RES 470 ERJ2GE	T	30.9/9.7
R63	7030005220	S.RES 22K ERJ2GE	B	91.6/8.3
R64	7030005220	S.RES 22K ERJ2GE	B	91.6/6.6
R65	7030005090	S.RES 100K ERJ2GE	B	51.1/9
R67	7030005290	S.RES 6.8K ERJ2GE	T	53.5/8.6
R68	7030007290	S.RES 2.2K ERJ2GE	B	53.7/17.7
R69	7030010040	S.RES ERJ2GE-JPW	T	85.6/16.8
R71	7030005090	S.RES 100K ERJ2GE	T	54.5/8.6
R72	7030007290	S.RES 2.2K ERJ2GE	B	50.9/30.2
R73	7030004980	S.RES 100 ERJ2GE	B	80.3/29.7
R74	7030007570	S.RES 1.2K ERJ2GE	B	83.1/27.8
R75	7030005290	S.RES 6.8K ERJ2GE	B	82.6/42.4
R76	7030005050	S.RES 10K ERJ2GE	B	82.4/33
R77	7030005580	S.RES 56 ERJ2GE	B	83.2/48
R78	7030005220	S.RES 22K ERJ2GE	B	81.6/37.3
R79	7030007340	S.RES 15K ERJ2GE	T	51.1/42.8
R80	7030007340	S.RES 15K ERJ2GE	T	51.1/41.8
R81	7030005090	S.RES 100K ERJ2GE	B	74.9/45.2
R82	7030005110	S.RES 220K ERJ2GE	B	71.7/27.3
R83	7030008400	S.RES 1.8K ERJ2GE	T	32.4/10.6
R85	7030005110	S.RES 220K ERJ2GE	T	25/19.2
R87	7030007300	S.RES 3.3K ERJ2GE	T	30.5/19.3
R88	7030005120	S.RES 1K ERJ2GE	B	90.7/6.6
R90	7030005000	S.RES 470 ERJ2GE	B	89.8/18.5
R91	7030005230	S.RES 330K ERJ2GE	T	86.4/12.8
R93	7030005310	S.RES 120K ERJ2GE	T	83.9/8.4
R94	7030005080	S.RES 82K ERJ2GE	T	106.7/36.7
R95	7030005720	S.RES 56K ERJ2GE	T	106.3/35.7
R96	7030005240	S.RES 47K ERJ2GE	B	63.7/15.1
R97	7030005060	S.RES 33K ERJ2GE	B	52.2/12.7
R98	7030005030	S.RES 1.5K ERJ2GE	B	63.7/18.9
R99	7030005240	S.RES 47K ERJ2GE	B	63.7/19
R100	7030005800	S.RES 1K RR0510	B	84.4/32.4
R101	7030007280	S.RES 330 ERJ2GE	B	80.1/32.9
R102	7030005530	S.RES 10 ERJ2GE	T	23/21.3
R103	7030005600	S.RES 27K ERJ2GE	T	28.7/25.5
R104	7030007280	S.RES 330 ERJ2GE	T	25/22.5
R105	7030005600	S.RES 27K ERJ2GE	B	32.4/24.2
R106	7030007270	S.RES 150 ERJ2GE	T	33.9/22.5
R108	7030005240	S.RES 47K ERJ2GE	B	81.9/18.9
R109	7030005700	S.RES 270K ERJ2GE	B	81/18.9
R110	7030005050	S.RES 10K ERJ2GE	T	78.4/20.8
R111	7030005050	S.RES 10K ERJ2GE	T	96.2/28.5
R112	7030005700	S.RES 270K ERJ2GE	T	81.7/20.2
R113	7030005240	S.RES 47K ERJ2GE	B	57.4/19.5
R114	7030005090	S.RES 100K ERJ2GE	B	54.1/13.4
R115	7030005090	S.RES 100K ERJ2GE	T	113.7/17.8
R116	7030005090	S.RES 100K ERJ2GE	B	78.4/15.4
R117	7030005050	S.RES 10K ERJ2GE	B	81.6/38.2
R118	7030005700	S.RES 270K ERJ2GE	T	88.5/9.9
R120	7030007280	S.RES 330 ERJ2GE	T	26.5/34.4
R122	7030005600	S.RES 27K ERJ2GE	T	28.8/35.2
R123	7030005600	S.RES 27K ERJ2GE	T	34.1/35.2
R125	7030007270	S.RES 150 ERJ2GE	T	36.4/34.4
R127	7030005050	S.RES 10K ERJ2GE	B	78.2/18.7
R128	7030005240	S.RES 47K ERJ2GE	T	111.5/45.4
R129	7030005040	S.RES 4.7K ERJ2GE	T	111.1/44.5

[MAIN-B UNIT] (For F6061-L, F6061D-L)

REF NO.	PARTS NO.	DESCRIPTION	M.	H/V LOCATION
R131	7030005070	S.RES 68K ERJ2GE	T	103.5/43.6
R132	7030004980	S.RES 100 ERJ2GE	T	113.8/16.5
R133	7030005090	S.RES 100K ERJ2GE	T	109.6/11.8
R134	7030005160	S.RES 1M ERJ2GE	T	129.8/25.5
R135	7030005160	S.RES 1M ERJ2GE	T	129.8/24.2
R136	7030005160	S.RES 1M ERJ2GE	T	129.8/22.9
R138	7030005530	S.RES 10 ERJ2GE	T	63.8/31.3
R139	7410001140	S.ARR EXB28V104J 100K	T	133.8/19.8
R140	7030006020	S.RES 6.8K RR0510	T	62.9/44.3
R141	7030006020	S.RES 6.8K RR0510	T	62.9/42.6
R143	7030006020	S.RES 6.8K RR0510	T	62.9/37.8
R144	7030006020	S.RES 6.8K RR0510	T	62.9/36.1
R146	7030006020	S.RES 6.8K RR0510	T	62.9/31.3
R147	7030006020	S.RES 6.8K RR0510	T	62.9/29.6
R148	7030009320	S.RES 4.7 ERJ2GE	T	61.6/30.9
R149	7030005110	S.RES 220K ERJ2GE	B	65.1/32.6
R150	7030008290	S.RES 18K ERJ2GE	B	79.2/28.2
R151	7030005220	S.RES 22K ERJ2GE	B	80.5/27.8
R152	7030005090	S.RES 100K ERJ2GE	B	81.8/28.2
R153	7030007300	S.RES 3.3K ERJ2GE	T	36.4/42.1
R154	7030004970	S.RES 47 ERJ2GE	T	42.9/40
R155	7030007290	S.RES 2.2K ERJ2GE	T	39.9/33
R156	7030004970	S.RES 47 ERJ2GE	T	42.3/41.2
R157	7030005090	S.RES 100K ERJ2GE	B	30.1/24.9
R158	7030005240	S.RES 47K ERJ2GE	T	111.1/42.7
R159	7030005240	S.RES 47K ERJ2GE	T	111.5/40.9
R160	7030005240	S.RES 47K ERJ2GE	T	113.7/39.9
R161	7030005070	S.RES 68K ERJ2GE	T	105.4/48.4
R162	7030005240	S.RES 47K ERJ2GE	T	127.8/16.3
R163	7030005240	S.RES 47K ERJ2GE	T	128.7/17.2
R164	7030005240	S.RES 47K ERJ2GE	T	129.6/16.3
R165	7030005230	S.RES 330K ERJ2GE	T	129.8/21.6
R166	7030005230	S.RES 330K ERJ2GE	T	129.8/20.3
R167	7030005230	S.RES 330K ERJ2GE	T	129.8/19
R168	7030011180	S.RES 390 RR0510	B	58.5/42.6
R169	7030011180	S.RES 390 RR0510	B	58.5/38.4
R170	7030009820	S.RES 680 RR0510	B	55.7/31.5
R171	7030005310	S.RES 120K ERJ2GE	T	57/31.8
R172	7030008280	S.RES 270 ERJ2GE	B	37.5/44.6
R173	7030007270	S.RES 150 ERJ2GE	B	40/32.8
R176	7030005590	S.RES 68 ERJ2GE	B	31.3/37.4
R177	7030005590	S.RES 68 ERJ2GE	B	31.3/35
R178	7030005240	S.RES 47K ERJ2GE	T	113.7/38.9
R179	7030008300	S.RES 180K ERJ2GE	T	117.1/34.6
R180	7030005720	S.RES 56K ERJ2GE	T	117.5/35.6
R181	7030005220	S.RES 22K ERJ2GE	T	117.1/36.6
R182	7030005120	S.RES 1K ERJ2GE	T	117.5/33.6
R183	7030005070	S.RES 68K ERJ2GE	T	103.7/48.4
R184	7030005220	S.RES 22K ERJ2GE	T	115.4/36.6
R185	7030005070	S.RES 68K ERJ2GE	B	102.3/45.6
R186	7030005160	S.RES 1M ERJ2GE	T	81.3/19.3
R187	7030005060	S.RES 33K ERJ2GE	T	81.3/17.5
R188	7030005090	S.RES 100K ERJ2GE	T	78.9/14.6
R189	7030005720	S.RES 56K ERJ2GE	T	78.5/15.8
R190	7030005080	S.RES 82K ERJ2GE	T	80.9/18.4
R191	7030004980	S.RES 100 ERJ2GE	T	54.2/30.4
R192	7030009270	S.RES 820 ERJ2GE	B	52.6/35.9
R193	7030005050	S.RES 10K ERJ2GE	B	57.5/31.5
R194	7030007340	S.RES 15K ERJ2GE	T	53.5/36.7
R195	7030007260	S.RES 33 ERJ2GE	T	51/33.4
R196	7030005050	S.RES 10K ERJ2GE	B	56.8/35.3
R197	7030005050	S.RES 10K ERJ2GE	B	55/38.5
R198	7030010090	S.RES 18 ERJ2GE	B	38/46
R199	7030008280	S.RES 270 ERJ2GE	B	38.5/44.6
R200	7030005050	S.RES 10K ERJ2GE	B	8.4/20.6
R201	7410001130	S.ARR EXB28V102J 1K	B	117/51.7
R202	7030005090	S.RES 100K ERJ2GE	T	127.1/46.7
R203	7030005120	S.RES 1K ERJ2GE	B	126.7/42.2
R204	7410000750	S.ARR EXB-V4V 100K	B	129.6/43.4
R205	7030008010	S.RES 12K ERJ2GE	T	126.2/39.2
R206	7030005120	S.RES 1K ERJ2GE	B	128.7/37.1
R207	7030005050	S.RES 10K ERJ2GE	T	120.3/37
R208	7030005050	S.RES 10K ERJ2GE	T	121/37.7
R209	7410001130	S.ARR EXB28V102J 1K	B	128.6/39.5
R210	7030008010	S.RES 12K ERJ2GE	T	123.6/37.9
R211	7030008010	S.RES 12K ERJ2GE	T	125.5/40.8
R212	7030005160	S.RES 1M ERJ2GE	T	121.7/40.8
R213	7030005070	S.RES 68K ERJ2GE	T	49/35
R214	7030004980	S.RES 100 ERJ2GE	B	49/35
R215	7030005050	S.RES 10K ERJ2GE	B	48.8/51.4
R216	7030004980	S.RES 100 ERJ2GE	B	49.8/49.7
R218	7030010040	S.RES ERJ2GE-JPW	T	53.5/34.9
R219	7030005050	S.RES 10K ERJ2GE	B	46.8/44.6
R220	7030005040	S.RES 4.7K ERJ2GE	B	49.7/44.8
R221	7030004980	S.RES 100 ERJ2GE	B	46.8/42.9
R222	7030005110	S.RES 220K ERJ2GE	B	13.5/33.1
R223	7030005110	S.RES 220K ERJ2GE	B	10.7/33.1
R224	7030005050	S.RES 10K ERJ2GE	B	10.7/31.4
R225	7030005000	S.RES 470 ERJ2GE	B	8/19.2
R226	7030004980	S.RES 100 ERJ2GE	T	110/51.7
R227	7030005090	S.RES 100K ERJ2GE	B	106.6/50.3
R228	7410001140	S.ARR EXB28V104J 100K	T	107.1/50.6
R230	7030005050	S.RES 10K ERJ2GE	B	124.7/42.7
R232	7030005530	S.RES 10 ERJ2GE	T	120/40.8
R233	7410000750	S.ARR EXB-V4V 100K	T	130.1/33.2
R234	7410001130	S.ARR EXB28V102J 1K	B	128.9/33.4
R235	7030005050	S.RES 10K ERJ2GE	B	69.9/69.4
R236	7030007280	S.RES 330 ERJ2GE	B	67.7/70.5
R238	7030004990	S.RES 220 ERJ2GE	B	63.6/66.2
R240	7030005720	S.RES 56K ERJ2GE	B	64.1/65
R242	7030005530	S.RES 10 ERJ2GE	B	6.5/34.4
R243	7030009320	S.RES 4.7 ERJ2GE	B	13.4/42.4
R244	7030005120	S.RES 1K ERJ2GE	B	8.6/35.7
R245	7030005530	S.RES 10 ERJ2GE	B	11.7/38.2
R246	7030005090	S.RES 100K ERJ2GE	B	11.3/41.5

[MAIN-B UNIT] (For F6061-L, F6061D-L)

REF NO.	PARTS NO.	DESCRIPTION	M.	H/V LOCATION
R247	7030005710	S.RES 120 ERJ2GE	B	7.3/41.2
R248	7410001130	S.ARR EXB28V102J 1K	B	103.9/47.9
R249	7410001130	S.ARR EXB28V102J 1K	B	123.6/27.2
R250	7410001130	S.ARR EXB28V102J 1K	B	121.9/25.3
R251	7410001140	S.ARR EXB28V104J 100K	T	124.2/27.9
R252	7410001140	S.ARR EXB28V104J 100K	T	122.1/25.7
R253	7030008290	S.RES 18K ERJ2GE	T	11.8/40.8
R254	7030005110	S.RES 220K ERJ2GE	T	7.3/41
R255	7030005240	S.RES 47K ERJ2GE	B	9/41.9
R257	7030008400	S.RES 1.8K ERJ2GE	T	7.3/39.7
R258	7030005170	S.RES 470K ERJ2GE	T	8.4/42.2
R259	7030007290	S.RES 2.2K ERJ2GE	B	5.4/45.6
R260	7030007290	S.RES 2.2K ERJ2GE	B	5.4/48
R261	7410001130	S.ARR EXB28V102J 1K	B	99.7/43.5
R262	7410001130	S.ARR EXB28V102J 1K	T	100.5/37
R263	7410001130	S.ARR EXB28V102J 1K	B	97/40.7
R264	7410000750	S.ARR EXB-V4V 100K	T	103.2/35.4
R265	7030007340	S.RES 15K ERJ2GE	T	87.7/31
R266	7410001130	S.ARR EXB28V102J 1K	B	120.1/23.5
R267	7410001130	S.ARR EXB28V102J 1K	B	118.3/21.7
R268	7410001130	S.ARR EXB28V102J 1K	B	116.5/19.9
R269	7030005090	S.RES 100K ERJ2GE	T	118.6/20.6
R270	7030007340	S.RES 15K ERJ2GE	T	88.6/34.2
R271	7030007280	S.RES 330 ERJ2GE	T	61/76.7
R272	7030004980	S.RES 100 ERJ2GE	T	63.6/76.2
R273	7030005050	S.RES 10K ERJ2GE	T	57.9/68.9
R274	7030004980	S.RES 100 ERJ2GE	B	4.1/46.5
R277	7030005050	S.RES 10K ERJ2GE	B	126.6/28.8
R278	7030005050	S.RES 10K ERJ2GE	B	127.6/28.8
R279	7030005090	S.RES 100K ERJ2GE	B	95.2/38.9
R280	7410001130	S.ARR EXB28V102J 1K	B	93.8/48.9
R281	7030005090	S.RES 100K ERJ2GE	T	91.6/49.5
R282	7410000750	S.ARR EXB-V4V 100K	B	104.7/22.2
R283	7410001130	S.ARR EXB28V102J 1K	T	111.3/25.3
R284	7030005120	S.RES 1K ERJ2GE	B	107.1/19.9
R285	7410001130	S.ARR EXB28V102J 1K	T	120.5/21.8
R286	7410001140	S.ARR EXB28V104J 100K	B	57.6/64.5
R287	7030004990	S.RES 220 ERJ2GE	B	55.8/68.9
R288	7030005100	S.RES 150K ERJ2GE	B	44.3/65
R289	7030008300	S.RES 180K ERJ2GE	T	33.7/66.7
R290	7520000261	S.POS PRF18 BB 471QB5RB	T	107.2/21.1
R291	7030005120	S.RES 1K ERJ2GE	T	36.9/68
R292	7030006070	S.RES 100 ERJ2	B	50.5/65.7
R293	7030005110	S.RES 220K ERJ2GE	B	53.1/70.1
R294	7030005050	S.RES 10K ERJ2GE	B	54.2/64.5
R295	7030005110	S.RES 220K ERJ2GE	B	50/68.9
R296	7030005290	S.RES 6.8K ERJ2GE	B	51.8/70.2
R297	7030008010	S.RES 12K ERJ2GE	B	49.2/66.1
R298	7030006610	S.RES 390K ERJ2GE	B	18.3/33.9
R299	7030005110	S.RES 220K ERJ2GE	B	99.9/59.6
R300	7030005050	S.RES 10K ERJ2GE	T	106.7/55
R301	7030007290	S.RES 2.2K ERJ2GE	T	79.1/64.4
R302	7030000440	S.RES 3.3K MCR10	T	81.1/64.4
R303	7030000440	S.RES 3.3K MCR10	T	83.1/64.4
R304	7030000440	S.RES 3.3K MCR10	T	66.9/54.1
R305	7030005050	S.RES 10K ERJ2GE	T	68.1/50.2
R306	7030005040	S.RES 4.7K ERJ2GE	B	35.4/61.7
R307	7030005050	S.RES 10K ERJ2GE	B	102.3/63.8
R308	7410001130	S.ARR EXB28V102J 1K	T	94.9/5.4
R309	7030005070	S.RES 68K ERJ2GE	T	109.1/62.5
R310	7030004980	S.RES 100 ERJ2GE	B	16/79.4
R311	7030000260	S.RES 100 MCR10	B	41/61.1
R312	7030005700	S.RES 270K ERJ2GE	B	11.2/58
R313	7030003320	S.RES 100 ERJ3GE	B	10/55.3
R314	7030007340	S.RES 15K ERJ2GE	B	3/61.6
R315	7030000220	S.RES 47 MCR10	B	92.7/10.3
R316	7030005170	S.RES 470K ERJ2GE	B	116.5/86.3
R317	7030005160	S.RES 1M ERJ2GE	B	113.7/83.8
R318	7030005160	S.RES 1M ERJ2GE	B	114/82.6
R319	7030005120	S.RES 1K ERJ2GE	B	112.9/86.3
R320	7030005160	S.RES 1M ERJ2GE	B	112.1/84.5
R321	7030004970	S.RES 47 ERJ2GE	B	4.6/80.9
R322	7030007340	S.RES 15K ERJ2GE	B	6.1/83.1
R323	7030003320	S.RES 100 ERJ3GE	T	131.2/45.3
R324	7030000620	S.RES 100K MCR10	B	131.6/51.7
R325	7030005050	S.RES 10K ERJ2GE	B	131.1/54.2
R326	7030005090	S.RES 100K ERJ2GE	B	134.1/51.7
R327	7030005120	S.RES 1K ERJ2GE	T	109.4/24.2
R328	7030005090	S.RES 100K ERJ2GE	T	112.6/29.5
R332	7030005090	S.RES 100K ERJ2GE	T	108.1/77.4
R333	7030005120	S.RES 1K ERJ2GE	T	108/78
R334	7520000270	S.POS PRG21BC4R7MM1RA	T	112.2/80
R335	7030005050	S.RES 10K ERJ2GE	T	104.8/77
R336	7030005120	S.RES 1K ERJ2GE	B	99.9/57.9
R337	7410001130	S.ARR EXB28V102J 1K	B	99.9/56.5
R338	7030005651	S.RES 300K ERA3YKD	T	136.3/65.7
R339	7030005871	S.RES 100K ERA3YK D	B	130.7/85.9
R340	7030003560	S.RES 10K ERJ3GE	B	135.4/52.2
R341	7030003560	S.RES 10K ERJ3GE	B	138.1/49.4
R342	7030005090	S.RES 100K ERJ2GE	B	133.3/54.6
R343	7030007290	S.RES		

[MAIN-B UNIT] (For F6061-L, F6061D-L)

REF NO.	PARTS NO.	DESCRIPTION	M.	H/V LOCATION
R360	7030005090	S.RES 100K ERJ2GE	T	78.4/5.3
R361	7030005600	S.RES 27K ERJ2GE	T	76.7/18.3
R362	7030005050	S.RES 10K ERJ2GE	T	121.7/48.6
R363	7030005120	S.RES 1K ERJ2GE	T	42.9/38.2
R364	7030005040	S.RES 4.7K ERJ2GE	T	42/37.2
R366	7030005090	S.RES 100K ERJ2GE	B	131.4/63.4
R367	7030005040	S.RES 4.7K ERJ2GE	B	130.1/63
R368	7030005050	S.RES 10K ERJ2GE	T	80.6/7.2
R370	7030005810	S.RES 1.5K RR0510	B	78.4/35.7
R371	7030005120	S.RES 1K ERJ2GE	B	78.7/44.7
R372	7030010040	S.RES ERJ2GE-JPW	B	39.5/8.1
R373	7030010040	S.RES ERJ2GE-JPW	B	50.4/12.3
R374	7030005050	S.RES 10K ERJ2GE	T	117.9/83.3
R375	7030010040	S.RES ERJ2GE-JPW	T	29.2/5.3
R376	7030005040	S.RES 4.7K ERJ2GE	T	75.8/18.3
R377	7030005160	S.RES 1M ERJ2GE	B	112.9/12.2
R378	7030005160	S.RES 1M ERJ2GE	B	114.2/12.7
R379	7410001140	S.ARR EXB28V104J 100K	B	99.9/18
R380	7030005090	S.RES 100K ERJ2GE	T	110.9/22.2
R385	7030010040	S.RES ERJ2GE-JPW	T	64.8/76.6
R386	7410000750	S.ARR EXB-V4V 100K	T	110.1/30.2
R387	7030005120	S.RES 1K ERJ2GE	T	104.8/86.7
R388	7030005120	S.RES 1K ERJ2GE	T	108.8/86.7
R389	7030005050	S.RES 10K ERJ2GE	T	103.8/38.2
R390	7030008300	S.RES 180K ERJ2GE	B	25.1/10.4
R391	7030005120	S.RES 1K ERJ2GE	B	27.8/7.2
R392	7030008400	S.RES 1.8K ERJ2GE	B	32.8/7.3
R393	7030004980	S.RES 100 ERJ2GE	B	32.8/8.2
R394	7030004980	S.RES 100 ERJ2GE	B	26/8.8
R395	7030005290	S.RES 6.8K ERJ2GE	B	26/7.2
R396	7030009290	S.RES 5.6K ERJ2GE	B	26.9/5.6
R397	7030005120	S.RES 1K ERJ2GE	B	79.6/48.3
R398	7030005030	S.RES 1.5K ERJ2GE	B	26.9/7.2
R399	7030005050	S.RES 10K ERJ2GE	B	97.7/11.3
R401	7030010040	S.RES ERJ2GE-JPW		
R402	7030007300	S.RES 3.3K ERJ2GE		
R403	7030005090	S.RES 100K ERJ2GE		
R404	7030005110	S.RES 220K ERJ2GE		
R405	7030005170	S.RES 470K ERJ2GE		
R407	7030010040	S.RES ERJ2GE-JPW		
C1	4030017420	S.CER 47P ECJ10 CH	T	88.9/54.3
C2	4030017420	S.CER 47P ECJ10 CH	T	89.9/54.3
C3	4030017420	S.CER 47P ECJ10 CH	T	41.7/15.3
C4	4030017420	S.CER 47P ECJ10 CH	B	50.4/14.9
C5	4030016930	S.CER 0.1 ECJ10 10V B	T	89.8/34.6
C6	4550006250	S.TAN 10 10V MSVA	B	77.3/49.9
C8	4030017420	S.CER 47P ECJ10 CH	T	89.9/52
C9	4030016930	S.CER 0.1 ECJ10 10V B	T	88.9/52
C10	4030016930	S.CER 0.1 ECJ10 10V B	T	79.8/51
C11	4030016930	S.CER 0.1 ECJ10 10V B	T	9.3/18.1
C12	4030016930	S.CER 0.1 ECJ10 10V B	T	9.3/11.1
C13	4030016930	S.CER 0.1 ECJ10 10V B	T	82.8/6.6
C14	4030016930	S.CER 0.1 ECJ10 10V B	T	86.3/8.9
C15	4030017460	S.CER 0.001 ECJ10 B	T	41.5/7.7
C16	4550000460	S.TAN 1 16V SVA	T	42.7/6.2
C17	4550000460	S.TAN 1 16V SVA	B	43/6.2
C18	4030017420	S.CER 47P ECJ10 CH	T	41.7/14
C19	4030017420	S.CER 47P ECJ10 CH	B	50.4/15.8
C20	4030016970	S.CER 0.022 ECJ10 16V B	B	101/52.7
C21	4030017420	S.CER 47P ECJ10 CH	T	41.7/16.9
C22	4030017420	S.CER 47P ECJ10 CH	T	41.7/12.7
C23	4030016930	S.CER 0.1 ECJ10 10V B	T	52.2/5.6
C24	4030017660	S.CER 33P ECJ10 CH	B	39.5/9.8
C25	4030017420	S.CER 47P ECJ10 CH	T	60.9/5.9
C26	4030016930	S.CER 0.1 ECJ10 10V B	B	37.7/6
C27	4030018240	S.CER 0.0056 ECJ10 25V B	B	36.8/7.3
C28	4030016970	S.CER 0.01 ECJ10 16V B	T	78.1/9.5
C29	4030017460	S.CER 0.001 ECJ10 B	T	78.5/12.5
C30	4030016930	S.CER 0.1 ECJ10 10V B	T	78.5/13.4
C31	4030017460	S.CER 0.001 ECJ10 B	T	82/50.5
C32	4030017500	S.CER 56P ECJ10 CH	B	33.3/15.9
C33	4030016930	S.CER 0.1 ECJ10 10V B	B	35.8/12.7
C34	4030017570	S.CER 4P ECJ10 CH B	B	32/15.4
C35	4030017590	S.CER 7P ECJ10 CH	B	30.8/15.9
C36	4030016930	S.CER 0.1 ECJ10 10V B	T	22.9/15
C37	4030017360	S.CER 3P ECJ10 CH B	B	28.1/15.4
C38	4030016930	S.CER 0.1 ECJ10 10V B	T	22/5.7
C39	4030016930	S.CER 0.1 ECJ10 10V B	B	15/5.7
C40	4030016930	S.CER 0.1 ECJ10 10V B	T	24.2/5.6
C41	4030016930	S.CER 0.1 ECJ10 10V B	T	22.2/12.5
C42	4030016930	S.CER 0.1 ECJ10 10V B	T	23.1/12.5
C43	4030017430	S.CER 100P ECJ10 CH	T	27.4/9.4
C44	4030017430	S.CER 100P ECJ10 CH	T	26.5/9.4
C45	4030017790	S.CER 0.0068 ECJ10 25V B	B	92.6/10
C46	4030016930	S.CER 0.1 ECJ10 10V B	B	93.6/10
C47	4030016970	S.CER 0.022 ECJ10 16V B	T	90.9/14.7
C48	4030017710	S.CER 180P ECJ10 CH	B	49.9/9.1
C49	4550006250	S.TAN 10 10V MSVA	T	54.8/15.4
C50	4030017460	S.CER 0.001 ECJ10 B	T	55.4/12.1
C51	4030017400	S.CER 22P ECJ10 CH	T	46.3/18.8
C52	4030017400	S.CER 22P ECJ10 CH	T	44.7/7.8
C53	4030017900	S.CER 0.012 ECJ10 16V B	B	63.7/10.8
C54	4030018080	S.CER 0.0018 ECJ10 B	B	63.7/11.7
C55	4030016790	S.CER 0.01 ECJ10 16V B	B	49.2/30.2
C56	4030017620	S.CER 10P ECJ10 CH	T	83.4/36.5
C57	4030016930	S.CER 0.1 ECJ10 10V B	T	84.8/31
C58	4030017430	S.CER 100P ECJ10 CH	T	85.7/38.8
C59	4030017460	S.CER 0.001 ECJ10 B	T	81.8/24.8
C60	4030017420	S.CER 47P ECJ10 CH	T	83/41.5
C61	4030017620	S.CER 10P ECJ10 CH	T	84.4/40.2
C62	4030017650	S.CER 27P ECJ10 CH	T	81.2/41.5
C65	4030017460	S.CER 0.001 ECJ10 B	T	28.7/10.6
C66	4550006250	S.TAN 10 10V MSVA	T	30.7/6.9

[MAIN-B UNIT] (For F6061-L, F6061D-L)

REF NO.	PARTS NO.	DESCRIPTION	M.	H/V LOCATION
C68	4030017460	S.CER 0.001 ECJ10 B	T	30.5/8.5
C69	4030017460	S.CER 0.001 ECJ10 B	T	32.6/15.4
C70	4030017420	S.CER 47P ECJ10 CH	B	30.6/14.3
C71	4030016940	S.CER 0.039 ECJ10 10V B	B	92.6/8.3
C72	4030018860	S.CER 1 ECJ10 6.3V B	B	50.9/11
C73	4030017750	S.CER 0.0012 ECJ10 B	B	50.3/17.7
C74	4030016930	S.CER 0.1 ECJ10 10V B	B	52/17.7
C75	4030016930	S.CER 0.1 ECJ10 10V B	B	55.9/12.6
C77	4030017460	S.CER 0.001 ECJ10 B	B	53.1/12.7
C78	4030017460	S.CER 0.001 ECJ10 B	B	53.8/8.6
C79	4550006250	S.TAN 10 10V MSVA	B	50.1/33.1
C80	4030017770	S.CER 0.0033 ECJ10 B	B	82.6/43.3
C81	4550000560	S.TAN 0.33 35V SVA	B	84.4/41.1
C82	4030017460	S.CER 0.001 ECJ10 B	B	80.3/30.7
C83	4550000270	S.TAN 0.47 25V SVA	B	84.4/35.9
C84	4030017460	S.CER 0.001 ECJ10 B	B	83.2/49.6
C85	4030017350	S.CER 2P ECJ10 CH B	T	55.2/45.4
C87	4030017560	S.CER 2.5P ECJ10 CH B	T	53.9/42.8
C88	4030017530	S.CER 0.5P ECJ10 CH B	T	55.2/42.3
C89	4030017560	S.CER 2.5P ECJ10 CH B	T	53.9/41.8
C91	4030017490	S.CER 0.01 ECJ10 16V B	T	27.3/17.3
C92	4030017670	S.CER 0.001 ECJ10 B	T	25.2/20.9
C93	4030017680	S.CER 82P ECJ10 CH	B	32.4/12.5
C94	4030017460	S.CER 0.001 ECJ10 B	T	30.6/13.4
C95	4030016790	S.CER 0.01 ECJ10 16V B	B	28.8/19.3
C98	4030016930	S.CER 0.1 ECJ10 10V B	B	89.3/7.4
C99	4030016930	S.CER 0.1 ECJ10 10V B	B	90.8/14.6
C100	4030016930	S.CER 0.1 ECJ10 10V B	B	86.1/15.6
C101	4030017710	S.CER 180P ECJ10 CH	T	83.9/7.5
C102	4030016930	S.CER 0.1 ECJ10 10V B	T	106.7/34.7
C103	4030016930	S.CER 0.1 ECJ10 10V B	B	55.3/19.5
C104	4550000270	S.TAN 0.47 25V SVA	B	76.6/32.9
C105	4030017420	S.CER 47P ECJ10 CH	T	74.2/41.3
C109	4550000530	S.TAN 0.1 35V SVA		
C110	4030017420	S.CER 47P ECJ10 CH	T	74.2/34.8
C111	4030016930	S.CER 0.1 ECJ10 10V B	B	73.9/28.3
C112	4030017460	S.CER 0.001 ECJ10 B	T	73/27.4
C113	4030017420	S.CER 47P ECJ10 CH	T	74.2/28.3
C114	4030016790	S.CER 0.01 ECJ10 16V B	T	24.3/20.9
C115	4030016790	S.CER 0.01 ECJ10 16V B	T	21.5/21.1
C116	4030016790	S.CER 0.01 ECJ10 16V B	T	26.6/22.5
C119	4030017640	S.CER 15P ECJ10 CH	T	20.3/27.9
C120	4030016790	S.CER 0.01 ECJ10 16V B	T	32.2/22.5
C123	4030017660	S.CER 33P ECJ10 CH	B	40/28
C124	4030016930	S.CER 0.1 ECJ10 10V B	B	90.8/17.4
C126	4030016930	S.CER 0.1 ECJ10 10V B	T	82.7/21.2
C128	4030016930	S.CER 0.1 ECJ10 10V B	B	80/20.2
C129	4030016930	S.CER 0.1 ECJ10 10V B	B	63.7/16
C130	4030016930	S.CER 0.1 ECJ10 10V B	B	134.8/16.8
C131	4030017660	S.CER 33P ECJ10 CH	B	137.5/23.8
C132	4030017660	S.CER 33P ECJ10 CH	B	137.5/18.8
C133	4030017600	S.CER 8P ECJ10 CH	T	69/43.9
C134	4030017590	S.CER 7P ECJ10 CH	T	70.3/43
C135	4030017610	S.CER 9P ECJ10 CH	T	69/37.4
C136	4030017460	S.CER 0.001 ECJ10 B	B	84.1/27.8
C137	4030017680	S.CER 82P ECJ10 CH	T	70.3/30
C138	4030017390	S.CER 18P ECJ10 CH	T	69/30.9
C139	4030017400	S.CER 22P ECJ10 CH	T	70.3/36.5
C140	4030017460	S.CER 0.001 ECJ10 B	T	73/40.4
C141	4030017460	S.CER 0.001 ECJ10 B	T	73/33.9
C142	4030018860	S.CER 1 ECJ10 6.3V B	T	90.1/10.7
C143	4030017550	S.CER 1.5P ECJ10 CH B	T	64.7/31.3
C145	4030016790	S.CER 0.01 ECJ10 16V B	T	27.8/35.2
C146	4030017610	S.CER 9P ECJ10 CH	T	36.4/33.4
C147	4030016790	S.CER 0.01 ECJ10 16V B	T	35.1/35.2
C148	4030016790	S.CER 0.01 ECJ10 16V B	T	29.9/33.9
C149	4030016930	S.CER 0.1 ECJ10 10V B	B	76.5/18.7
C150	4030018560	S.CER 4.7 C2012 10V B	B	89/22
C151	4030016930	S.CER 0.1 ECJ10 10V B	T	111.1/46.3
C152	4030016930	S.CER 0.1 ECJ10 10V B	T	108.5/35.7
C153	4030017460	S.CER 0.001 ECJ10 B	T	110.3/35.6
C154	4030018860	S.CER 1 ECJ10 6.3V B	T	83.2/19.8
C155	4030017420	S.CER 47P ECJ10 CH	T	110.3/37.9
C156	4030017910	S.CER 0.0015 ECJ10 B	T	103.2/42.7
C157	4030017420	S.CER 47P ECJ10 CH	T	110.7/47.2
C158	4030017430	S.CER 100P ECJ10 CH	T	108.5/36.7
C159	4030017460	S.CER 0.001 ECJ10 B	B	118.5/9.4
C160	4030017460	S.CER 0.001 ECJ10 B	B	130.6/25.4
C161	4030017400	S.CER 22P ECJ10 CH	T	64.2/43
C162	4030017590	S.CER 7P ECJ10 CH	T	68.6/45.2
C163	4030017580	S.CER 6P ECJ10 CH	T	64.2/36.5
C164	4030017370	S.CER 3.5P ECJ10 CH B	T	61.6/44.8
C165	4030017640	S.CER 15P ECJ10 CH	T	60.3/46.2
C166	4030017640	S.CER 15P ECJ10 CH	T	68.6/38.7
C167	4030017630	S.CER 12P ECJ10 CH	T	64.2/30
C168	4030017590	S.CER 7P ECJ10 CH	T	61.6/38.3
C169	4030017390	S.CER 18P ECJ10 CH	T	60.3/38.7
C170	4030017340	S.CER 1P ECJ10 CH B	T	65.6/31.3
C171	4030018120	S.CER 11P		

[MAIN-B UNIT] (For F6061-L, F6061D-L)

REF NO.	PARTS NO.	DESCRIPTION	M.	H/V LOCATION
C189	4030017460	S.CER 0.001 ECJ10 B	T	63.5/34.4
C190	4030017340	S.CER 1P ECJ10 CH B	T	58.6/42.7
C191	4030016790	S.CER 0.01 ECJ10 16V B	T	62.6/27.9
C192	4030017550	S.CER 1.5P ECJ10 CH B	T	58.6/36.2
C193	4030017460	S.CER 0.001 ECJ10 B	T	63.5/27.9
C194	4030017550	S.CER 1.5P ECJ10 CH B	T	58.9/31.8
C195	4030016930	S.CER 0.1 ECJ10 10V B	B	40.3/30.2
C196	4030017730	S.CER 470P ECJ10 B	B	38.7/33.2
C197	4030016930	S.CER 0.1 ECJ10 10V B	B	38.7/32.3
C198	4030017730	S.CER 470P ECJ10 B	B	31.3/38.3
C199	4030016930	S.CER 0.1 ECJ10 10V B	B	31.3/39.2
C200	4030016930	S.CER 0.1 ECJ10 10V B	B	31.3/34.1
C201	4030017730	S.CER 470P ECJ10 B	B	31.3/35.9
C202	4030017460	S.CER 0.001 ECJ10 B	T	112/38.9
C203	4030017460	S.CER 0.001 ECJ10 B	B	100.5/47.4
C204	4030018820	S.CER 560P ECJ10 B	B	66.4/33.1
C205	4030018900	S.CER 0.47 ECJ10 6.3V B	T	79.6/19.3
C206	4030016930	S.CER 0.1 ECJ10 10V B	T	78.5/16.7
C207	4030017730	S.CER 470P ECJ10 B	T	54.2/27.8
C208	4030017460	S.CER 0.001 ECJ10 B	T	55.3/32.2
C209	4030017460	S.CER 0.001 ECJ10 B	B	53.6/35.9
C210	4030017380	S.CER 5P ECJ10 CH B	T	52.7/33.4
C211	4030017610	S.CER 9P ECJ10 CH	T	54.7/34.9
C212	4030017460	S.CER 0.001 ECJ10 B	T	53.9/38
C213	4030017460	S.CER 0.001 ECJ10 B	B	55.8/42.5
C214	4030017460	S.CER 0.001 ECJ10 B	B	58.6/34.7
C215	4030017600	S.CER 8P ECJ10 CH	B	39.5/44.6
C216	4030017640	S.CER 15P ECJ10 CH	B	41.5/44.6
C217	4030017730	S.CER 470P ECJ10 B	B	25.4/33.2
C218	4030016930	S.CER 0.1 ECJ10 10V B	B	23.8/33.2
C219	4030017570	S.CER 4P ECJ10 CH B	B	22.7/36.5
C220	4030017550	S.CER 1.5P ECJ10 CH B	B	22.2/37.7
C221	4030016930	S.CER 0.1 ECJ10 10V B	B	5.6/23.2
C222	4030017030	S.CER 0.027 ECJ10 10V B	B	128.7/45.9
C223	4030016930	S.CER 0.1 ECJ10 10V B	B	123.5/43.9
C224	4030017640	S.CER 15P ECJ10 CH	T	123/39.9
C225	4030016790	S.CER 0.01 ECJ10 16V B	T	125/36.8
C226	4030017580	S.CER 6P ECJ10 CH	T	123.4/40.8
C227	4030017460	S.CER 0.001 ECJ10 B	B	48/35
C228	4030017460	S.CER 0.001 ECJ10 B	T	49.4/37.2
C229	4030017620	S.CER 10P ECJ10 CH	B	50.8/40.8
C230	4030017460	S.CER 0.001 ECJ10 B	B	48.8/49.7
C231	4030017340	S.CER 1P ECJ10 CH B	B	51.5/44.8
C232	4030017460	S.CER 0.001 ECJ10 B	T	55.2/40.6
C233	4030017370	S.CER 3.5P ECJ10 CH B	B	50.8/49.7
C235	4030017460	S.CER 0.001 ECJ10 B	B	45.8/42.9
C236	4030017600	S.CER 8P ECJ10 CH	B	44.2/44.6
C237	4030017400	S.CER 22P ECJ10 CH	B	45.1/46
C239	4030017560	S.CER 2.5P ECJ10 CH B	B	12.9/35.7
C240	4030017610	S.CER 9P ECJ10 CH	B	14/34.4
C241	4030017340	S.CER 1P ECJ10 CH B	B	15.5/37.7
C242	4030017610	S.CER 9P ECJ10 CH	B	10.4/35.7
C243	4030017460	S.CER 0.001 ECJ10 B	B	15.4/32.2
C244	4030017460	S.CER 0.001 ECJ10 B	B	9.7/31.4
C245	4550006780	S.TAN 47 6.3V MSVB2	B	5.6/18.7
C246	4030016930	S.CER 0.1 ECJ10 10V B	B	104.2/52.7
C247	4030016930	S.CER 0.1 ECJ10 10V B	B	106/54.6
C248	4030016930	S.CER 0.1 ECJ10 10V B	B	107.6/52.4
C249	4030018900	S.CER 0.47 ECJ10 6.3V B	B	121/47.2
C250	4030017630	S.CER 12P ECJ10 CH	T	120.4/39.9
C251	4030017630	S.CER 12P ECJ10 CH	B	66.3/65.9
C252	4030017420	S.CER 47P ECJ10 CH	B	61/66.2
C253	4030017730	S.CER 470P ECJ10 B	B	65.1/70.5
C254	4030017420	S.CER 47P ECJ10 CH	B	69.9/71.1
C255	4030017420	S.CER 47P ECJ10 CH	B	63.2/65
C257	4030017530	S.CER 0.5P ECJ10 CH B	B	70.2/66.9
C258	4030017460	S.CER 0.001 ECJ10 B	B	6.5/33.5
C259	4030017460	S.CER 0.001 ECJ10 B	B	16.4/42.4
C260	4030017550	S.CER 1.5P ECJ10 CH B	B	9.5/35.7
C261	4030017460	S.CER 0.001 ECJ10 B	B	8.1/34.4
C262	4030017460	S.CER 0.001 ECJ10 B	B	9/36.9
C263	4030016790	S.CER 0.01 ECJ10 16V B	B	5.4/36.4
C265	4030017420	S.CER 47P ECJ10 CH	B	6.9/40.3
C266	4030017460	S.CER 0.001 ECJ10 B	B	7.3/39.4
C267	4030017460	S.CER 0.001 ECJ10 B	B	69/71.1
C268	4030017380	S.CER 5P ECJ10 CH B	B	72.3/69.4
C270	4030017640	S.CER 15P ECJ10 CH	B	71.1/70.5
C271	4030017340	S.CER 1P ECJ10 CH B	B	10.9/36.9
C272	4030016930	S.CER 0.1 ECJ10 10V B	B	12.2/43.3
C273	4030016930	S.CER 0.1 ECJ10 10V B	T	12.8/40.8
C274	4030017460	S.CER 0.001 ECJ10 B	B	3.9/41
C275	4030017420	S.CER 47P ECJ10 CH	B	13.5/39.1
C276	4030017600	S.CER 8P ECJ10 CH	B	10/41.9
C277	4030017460	S.CER 0.001 ECJ10 B	T	13.5/39.1
C278	4030017600	S.CER 8P ECJ10 CH	B	9.5/43.2
C279	4030017650	S.CER 27P ECJ10 CH	B	6.7/45.2
C280	4030017560	S.CER 2.5P ECJ10 CH B	B	10/46.8
C281	4030017420	S.CER 47P ECJ10 CH	T	95.5/36.2
C282	4030017420	S.CER 47P ECJ10 CH	T	102.2/41.1
C283	4030017420	S.CER 47P ECJ10 CH	B	95.8/47
C284	4030017420	S.CER 47P ECJ10 CH	T	97.8/37.2
C285	4030017420	S.CER 47P ECJ10 CH	B	94.9/44.7
C286	4030017420	S.CER 47P ECJ10 CH	T	93.8/44.7
C287	4030017420	S.CER 47P ECJ10 CH	T	93.8/40
C288	4030017460	S.CER 0.001 ECJ10 B	B	4.1/47.4
C289	4030017610	S.CER 9P ECJ10 CH	B	18.8/34.4
C290	4030017630	S.CER 12P ECJ10 CH	T	73.9/75.6
C291	4030017730	S.CER 470P ECJ10 B	T	69.2/76.6
C292	4550007080	S.TAN 10 16V MSVA	T	70.3/76.6
C294	4030017420	S.CER 47P ECJ10 CH	B	58.4/69.9
C295	4030017420	S.CER 47P ECJ10 CH	B	58.4/67.9
C297	4030017460	S.CER 0.001 ECJ10 B	B	6.7/48.4
C298	4510008540	S.ELE 10 16V EEE-S B	B	9.5/50.4
C299	4030017650	S.CER 27P ECJ10 CH	B	6.7/48.4
C300	4030017600	S.CER 8P ECJ10 CH	B	9.5/50.4

[MAIN-B UNIT] (For F6061-L, F6061D-L)

REF NO.	PARTS NO.	DESCRIPTION	M.	H/V LOCATION
C301	4030017600	S.CER 8P ECJ10 CH	B	11.7/48.8
C302	4030017460	S.CER 0.001 ECJ10 B	B	4.1/44.7
C303	4030016930	S.CER 0.1 ECJ10 10V B	B	127.6/31.4
C304	4030017420	S.CER 47P ECJ10 CH	T	90.5/43
C305	4030011100	S.CER 8P GRM42-6 500V CH	T	27.6/79.2
C308	4030011120	S.CER 10P GRM42-6 500V CH	T	27.6/71.2
C309	4030017460	S.CER 0.001 ECJ10 B	T	71.4/76.6
C310	4030017420	S.CER 47P ECJ10 CH	T	43.9/76.6
C311	4030017460	S.CER 0.001 ECJ10 B	T	45/76.6
C312	4030017730	S.CER 470P ECJ10 B	T	46.1/76.6
C313	4510008680	S.ELE 22 25V EEE-S D	T	51.8/83
C314	4030017420	S.CER 47P ECJ10 CH	B	33.4/66.3
C315	4030017460	S.CER 0.001 ECJ10 B	B	57.6/63.6
C316	4030016790	S.CER 0.01 ECJ10 16V B	B	55.9/64.5
C317	4030016970	S.CER 0.022 ECJ10 16V B	B	55.8/70.1
C318	4030017460	S.CER 0.001 ECJ10 B	T	34.9/66.7
C319	4030017460	S.CER 0.001 ECJ10 B	B	45.3/66.9
C320	4030017510	S.CER 68P ECJ10 CH	B	13.9/52.1
C321	4030017460	S.CER 0.001 ECJ10 B	B	16.5/48.8
C322	4030017350	S.CER 2P ECJ10 CH B	B	21.2/51.2
C324	4030017420	S.CER 47P ECJ10 CH	T	90.1/41.7
C325	4030017460	S.CER 0.001 ECJ10 B	T	73.2/67.6
C326	4030017420	S.CER 47P ECJ10 CH	B	40.5/67.3
C327	4030017460	S.CER 0.001 ECJ10 B	B	83.9/79.3
C328	4030017420	S.CER 47P ECJ10 CH	B	82.9/79.3
C329	4030017400	S.CER 22P ECJ10 CH	B	81.9/79.3
C330	4510008540	S.ELE 10 16V EEE-S B	T	96.7/53.9
C331	4510008540	S.ELE 10 16V EEE-S B	T	60.5/65.1
C332	4030017780	S.CER 0.0047 ECJ10 25V B	B	53.5/66.1
C334	4030017460	S.CER 0.001 ECJ10 B	B	50.8/70.2
C335	4030017460	S.CER 0.001 ECJ10 B	B	48.7/69.4
C337	4030017600	S.CER 8P ECJ10 CH	B	28.2/53.7
C338	4510008540	S.ELE 10 16V EEE-S B	T	79.1/69.1
C339	4030017460	S.CER 0.001 ECJ10 B	T	79.1/62.1
C340	4030017460	S.CER 0.001 ECJ10 B	T	63.5/55.5
C341	4030016790	S.CER 0.01 ECJ10 16V B	T	68.1/52.3
C342	4030017200	S.CER 0.001 GHM1030 630V R	T	26.8/61.7
C344	4030011110	S.CER 9P GRM42-6 500V CH	T	20.9/63.3
C345	4030011110	S.CER 9P GRM42-6 500V CH	T	18.3/58.5
C346	4030011050	S.CER 3P GRM42-6 500V CJ	T	34.3/58.3
C347	4030017520	S.CER 0.3P ECJ10 CH B	B	33.7/61.7
C348	4030017460	S.CER 0.001 ECJ10 B	B	39.7/61.7
C349	4030011110	S.CER 9P GRM42-6 500V CH	T	10.3/61.7
C350	4030011110	S.CER 9P GRM42-6 500V CH	T	12.9/65.2
C351	4030016930	S.CER 0.1 ECJ10 10V B	T	110.8/66.5
C352	4030017460	S.CER 0.001 ECJ10 B	B	124.6/59.7
C353	4550006250	S.TAN 10 10V MSVA	B	124/61.3
C354	4550006250	S.TAN 10 10V MSVA	B	112.9/61.7
C355	4030017420	S.CER 47P ECJ10 CH	B	112.6/60.1
C356	4030011110	S.CER 9P GRM42-6 500V CH	T	15.7/65.2
C357	4030011110	S.CER 9P GRM42-6 500V CH	T	4.2/63.3
C358	4030009530	S.CER 3P C1608 CH B	B	10.7/61.4
C359	4030006860	S.CER 0.001 C1608 B	B	9.9/59.5
C360	4030017460	S.CER 0.001 ECJ10 B	B	8.7/54
C361	4030017460	S.CER 0.001 ECJ10 B	T	101.3/52.9
C362	4030017460	S.CER 0.001 ECJ10 B	T	106.3/21.1
C363	4510008540	S.ELE 10 16V EEE-S B	T	139.1/31.9
C365	4550007650	S.TAN 1 35V F93 M A	B	107.7/65.1
C366	4550007650	S.TAN 1 35V F93 M A	B	105.6/65.1
C367	4550007650	S.TAN 1 35V F93 M A	B	103.5/65.1
C368	4550007650	S.TAN 1 35V F93 M A	B	101.4/65.1
C369	4030011020	S.CER 1P GRM42-6 500V CK	B	
C370	4030011060	S.CER 4P GRM42-6 500V CH	B	
C371	4030017460	S.CER 0.001 ECJ10 B	T	5.3/81.1
C372	4030006860	S.CER 0.001 C1608 B	B	2.9/80.8
C373	4030016790	S.CER 0.01 ECJ10 16V B	B	8.3/79.6
C374	4030016930	S.CER 0.1 ECJ10 10V B	B	130.6/51.7
C375	4030016930	S.CER 0.1 ECJ10 10V B	B	132.8/51.3
C377	4030017460	S.CER 0.001 ECJ10 B	B	132.4/54.6
C378	4030017460	S.CER 0.001 ECJ10 B	T	104.7/52.9
C379	4030016930	S.CER 0.1 ECJ10 10V B	B	105.1/80.9
C380	4030017460	S.CER 0.001 ECJ10 B	B	110.5/84.5
C381	4030016790	S.CER 0.01 ECJ10 16V B	B	120.9/85.3
C382	4510008680	S.ELE 22 25V EEE-S D	B	135.9/70.5
C383	4030017460	S.CER 0.001 ECJ10 B	T	68.6/63.4
C384	4510008870	S.ELE 470 10V EEE-S F	T	135.9/71.5
C386	4030016930	S.CER 0.1 ECJ10 10V B	T	129.9/64.9
C387	4030017730	S.CER 470P ECJ10 B	B	138.8/53.7
C388	4030018860	S.CER 1 ECJ10 6.3V B	B	135.4/51.3
C389	4030016930	S.CER 0.1 ECJ10 10V B	B	138.7/52.2
C390	4030016930	S.CER 0.1 ECJ10 10V B	B	139.1/48.5
C391	4030			

[MAIN-B UNIT] (For F6061-L, F6061D-L)

REF NO.	PARTS NO.	DESCRIPTION	M.	H/V LOCATION
C426	4030011030	S.CER 1.5P GRM42-6 500V CK	T	29.2/75.2
C427	4030017550	S.CER 1.5P ECJ10 CH B	B	19.5/36.6
C429	4030016790	S.CER 0.01 ECJ10 16V B	B	138.4/51
C430	4030018860	S.CER 1 ECJ10 6.3V B	B	110.4/10.7
C431	4030017460	S.CER 0.001 ECJ10 B	B	114.2/11.7
C432	4030017420	S.CER 47P ECJ10 CH	B	119.4/69.8
C433	4030017460	S.CER 0.001 ECJ10 B	B	119.4/70.8
C435	4030016930	S.CER 0.1 ECJ10 10V B	T	8.9/7.8
C436	4030016930	S.CER 0.1 ECJ10 10V B	B	56/38.5
C437	4030016930	S.CER 0.1 ECJ10 10V B	B	25.1/8.8
C438	4030016930	S.CER 0.1 ECJ10 10V B	B	32.8/5.5
C440	4030016930	S.CER 0.1 ECJ10 10V B	B	25.1/7.2
C441	4030016930	S.CER 0.1 ECJ10 10V B	B	26/5.6
C442	4030016930	S.CER 0.1 ECJ10 10V B	B	26.9/8.8
C443	4030017040	S.CER 0.033 ECJ10 10V B	B	34.5/8.2
C444	4030016930	S.CER 0.1 ECJ10 10V B	T	22.3/10.2
C445	4030017650	S.CER 27P ECJ10 CH	B	32.8/6.4
C446	4030017590	S.CER 7P ECJ10 CH	T	23/20.4
C447	4030017340	S.CER 1P ECJ10 CH B	B	17.1/37.7
C448	4030017340	S.CER 1P ECJ10 CH B	B	12.5/36.9
C449	4030017380	S.CER 5P ECJ10 CH B	T	65.6/42.5
C450	4030017530	S.CER 0.5P ECJ10 CH B	T	65.6/36
C451	4030018860	S.CER 1 ECJ10 6.3V B	B	92.6/6.6
C452	4030019120	S.CER 1 25V GRM188 B	B	129.7/64.1
C453	4030016930	S.CER 0.1 ECJ10 10V B	B	132.1/55.8
C454	4030017690	S.CER 120P ECJ10 CH		
J1	6510026770	S.CON AXK540147YG	T	124.5/9.7
J2	6510026770	S.CON AXK540147YG	T	101.5/9.7
J3	6510021301	S.CON 52365-1071	T	90.3/62.6
J5	6510023092	S.CON 20FLT-SM2-TB(LF)(SN)(M)	T	108.3/83.2
J7	6450000140	CON HSJ0807-01-010		
J10	6510023092	S.CON 20FLT-SM2-TB(LF)(SN)(M)	T	71/7
W1	7030012290	JUMP RDS2T0R0		
W2	8900016250	CABLE OPC-1701		
EP2	6910015370	S.BEAD ACZ1005Y-102	B	60.4/28.3
EP3	6910015370	S.BEAD ACZ1005Y-102	T	85.7/30
EP4	6910010280	BEAD HF70BB9.5X10.4X4.9		
EP5	6910010280	BEAD HF70BB9.5X10.4X4.9		
EP6	6910015370	S.BEAD ACZ1005Y-102	T	79.6/41.5
EP7	6910011560	BEAD HF70BB4.5X5X1.6		
EP8	880002600	UNIT UT-126H ACC		

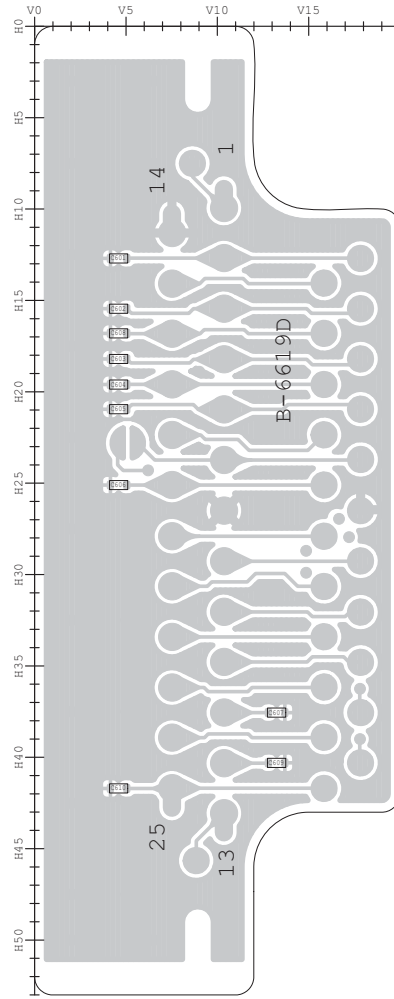
M.=Mounted side (T: Mounted on the Top side, B: Mounted on the Bottom side)
S.=Surface mount

BOARD LAYOUTS

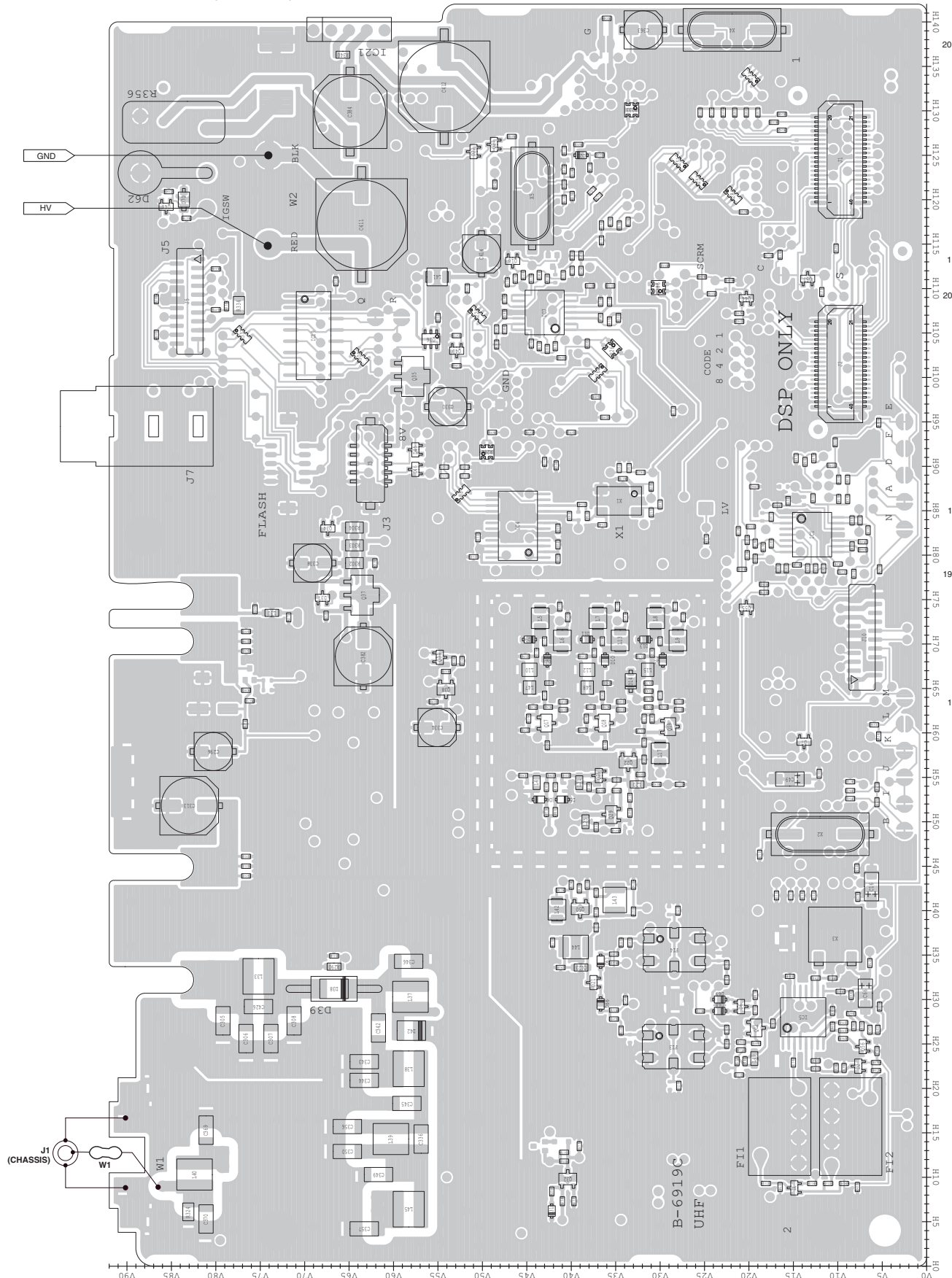
The combination of top side and bottom side of this page shows the actual configuration of P.C. board.

• For IC-F6061-L , IC-F6061D-L

• CONNECT UNIT (TOP VIEW)



• MAIN-B UNIT (TOP VIEW)

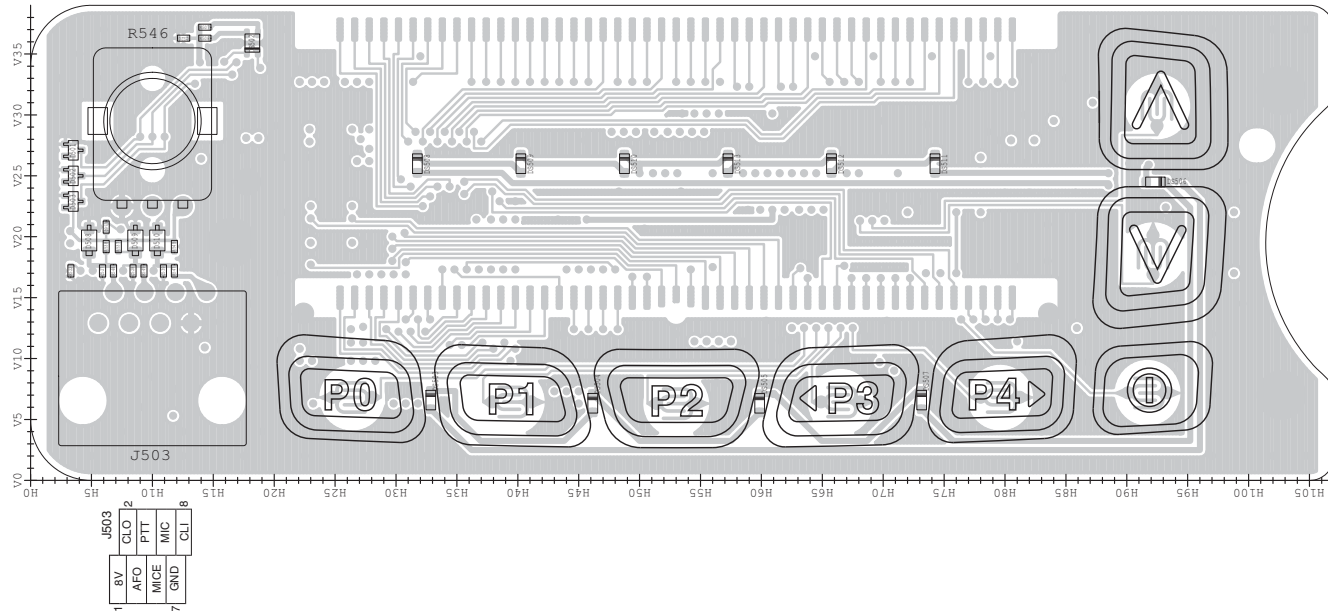


20	DASW	NC	J1
19	PFMF	CCK	21
18	EMPH	CSI	
17	GND	CSO	
16	OPT3	NC	
15	OPT2	CHQ	
14	OPT1	CCS	
13	SIGQ	REM	
12	BUSY	NC	
11	NC	AFOUT	
10	NC	DISC	
9	NC	RMUT	
8	NC	BEPO	
7	MCIN	AFON	
6	MCOT	NC	
5	PTT0	VCC	
4	PTTI	+5V	
3	GND	GND	
2	NC	NC	

20	GND	GND	J2
19	GND	CCK	21
18	NC	CSI	
17	GND	CSO	
16	OPT3	NC	
15	OPT2	CHQ	
14	OPT1	CCS	
13	NC	NC	
12	NC	DAFO	
11	NC	NC	
10	VREF	DISC	
9	NC	NC	
8	DMI	NC	
7	NC	NC	
6	DMO	NC	
5	NC	NC	
4	NC	8V	
3	NC	+5V	
2	GND	GND	
1	D_If	D_If	

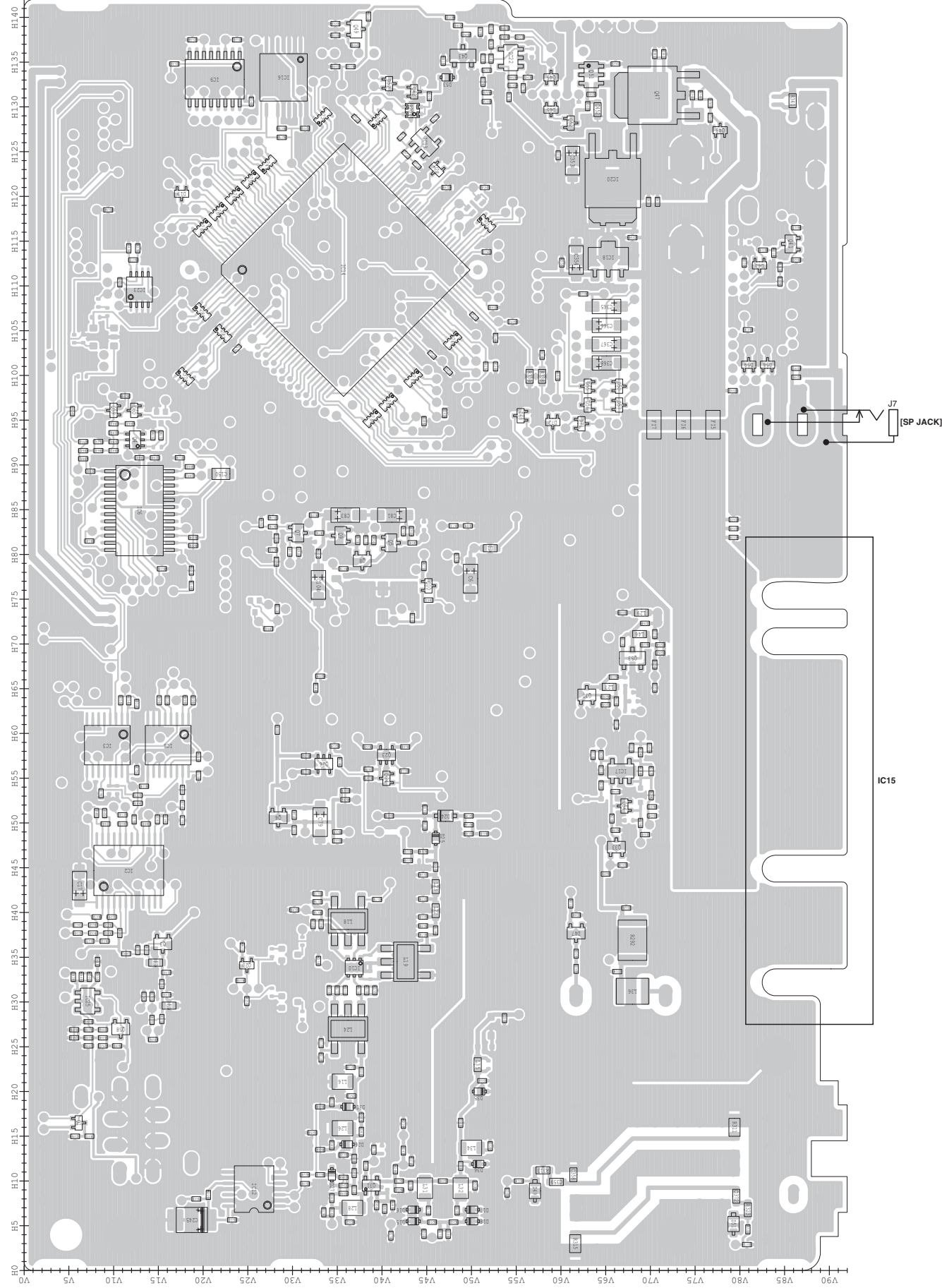
19	VCC	VCC	J10
18	GND	NC	20
17	MFDA	8V	
16	POSW	FMDA	
15	MCIN	MICE	
14	AFO	MICE	
13	SP	NC	
12	NC	SP-	
11	SP+	SP+	
10	GND	GND	

• FRONT UNIT (TOP VIEW)

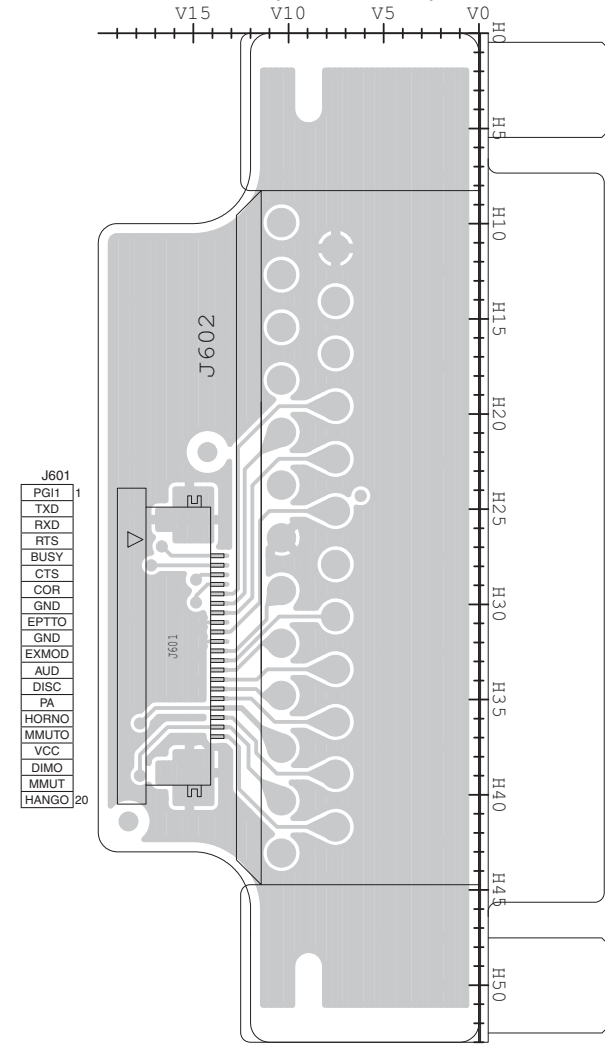


2	CLO	J503
1	PTT	
7	MIC	
6	GND	
5	CL1	
4		
3		
2		
1	BV	

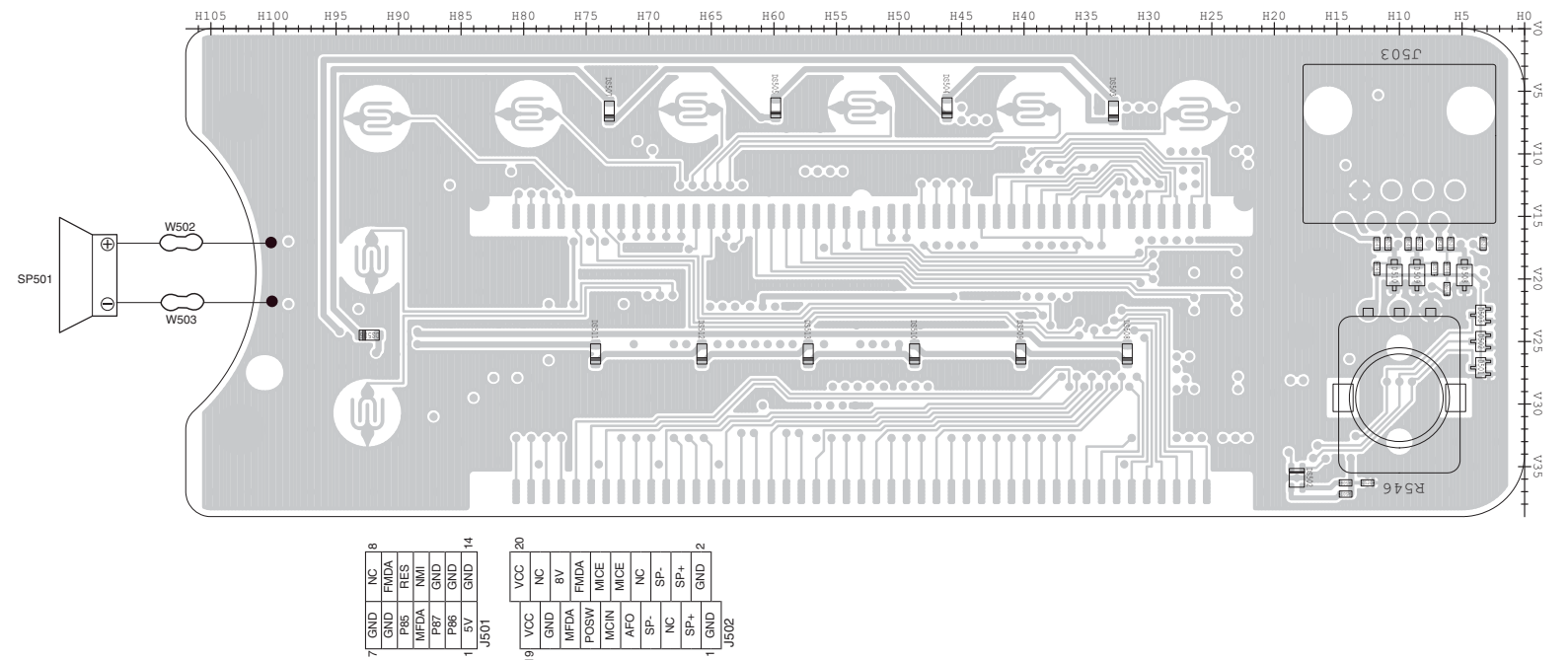
• MAIN-B UNIT (BOTTOM VIEW)



• CONNECT UNIT (BOTTOM VIEW)

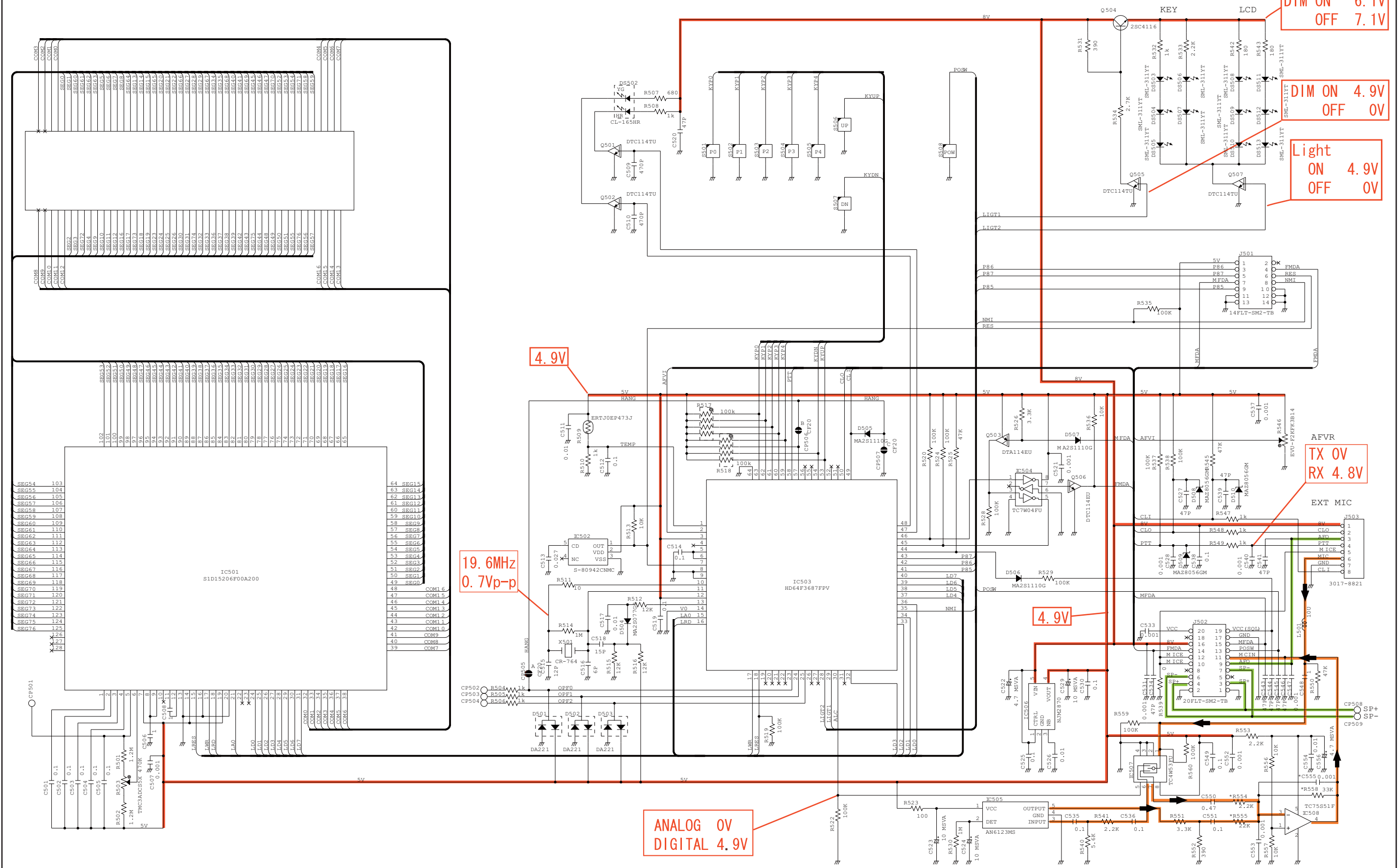


• FRONT UNIT (BOTTOM VIEW)



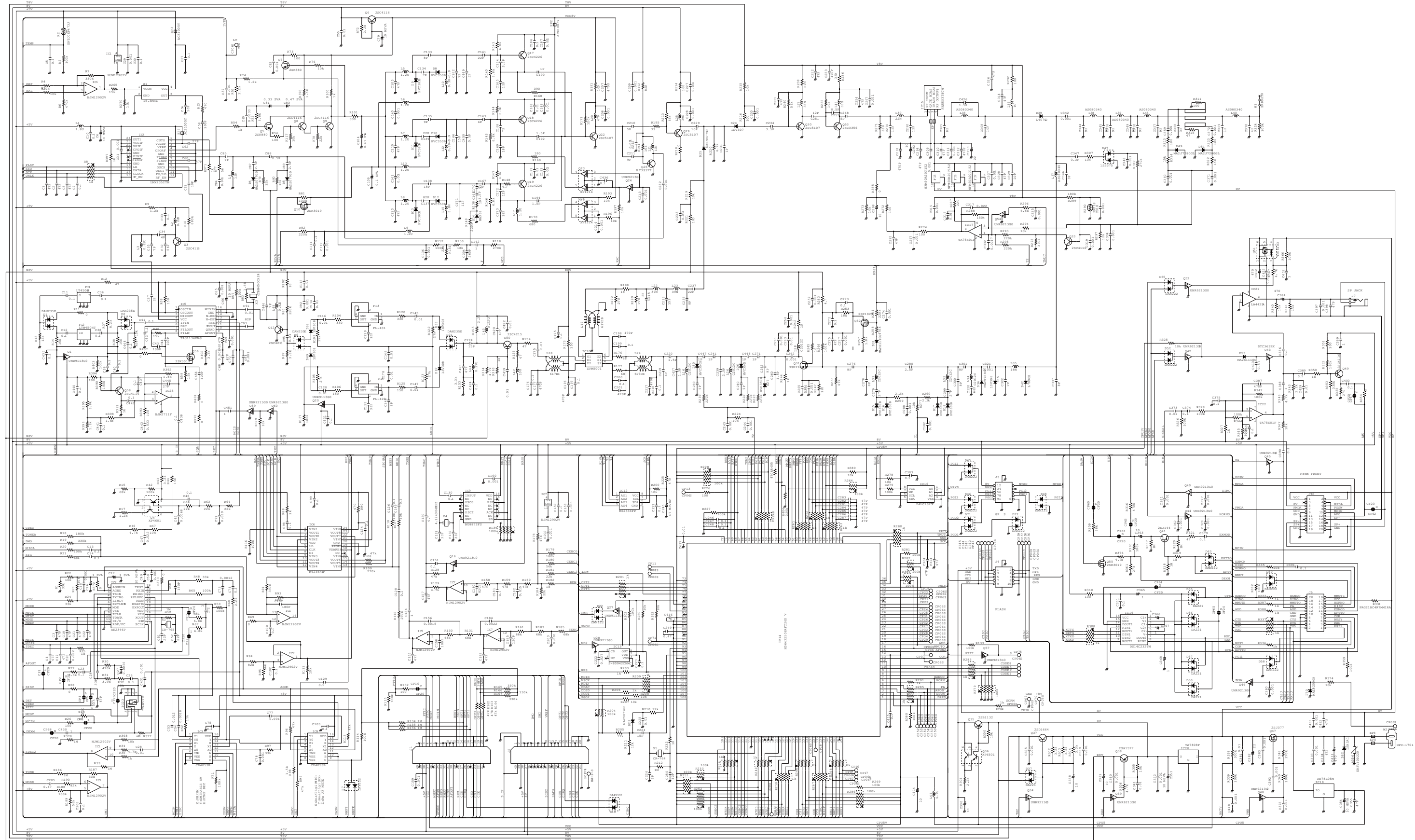
VOLTAGE DIAGRAM

• FRONT UNIT



*; Refer to "PARTS LIST."

• MAIN-B UNIT
(For IC-F6061-L,
IC-F6061D-L)



*; Refer to "PARTS LIST."

Jun. 2009



SERVICE MANUAL ADDENDUM

IC-F6061/F6061D/F6062/F6062D/F6063

CONTENTS

PARTS LIST	1
BOARD LAYOUTS	20
VOLTAGE DIAGRAM	24

PARTS LIST

[VERSION LIST]

MODEL	VERSION	SYMBOL
IC-F6061	USA-01	[A]
	USA-02	[B]
	USA-03	[C]
	USA-04	[D]
	USA-55	[E]
	USA-56	[F]
IC-F6061D	USA-01	[G]
	USA-02	[H]
	CHN-01	[I]
IC-F6062	EUR-01	[J]
	EUR-03	[K]
IC-F6062D	EUR-03	[L]
IC-F6063	EXP-01	[M]
	EXP-02	[N]
	EXP-03	[O]
	EXP-04	[P]

[MAIN UNIT] (For IC-F6060 series)

REF NO.	PARTS NO.	DESCRIPTION	M.	H/V LOCATION
IC1	1110005340	S.IC NJM12902V-TE1-#ZZZB	T	82.3/12.9
IC2	1110006221	S.IC AK2346P-E2/P	B	44.7/11.7
IC3	1140013200	S.IC CD4053BPWR	B	58.7/9.3
IC4	1130010100	S.IC LMX2352TMX/NOPB	T	83.3/46
IC5	1110003491	S.IC TA31136FNG(D,EL)	T	28/13.9
IC6	1190001350	S.IC M62364FP 600D	B	84.9/12.9
IC7	1110005340	S.IC NJM12902V-TE1-#ZZZB	T	107.3/43
IC8	1140013200	S.IC CD4053BPWR	B	58.7/16.1
IC9	1130012960	S.IC BU8872FS-E2	B	133.1/21.3
IC10	1190002051	S.IC SPM5001-TL-E	B	33.8/36.9
IC12	1190001340	S.IC M62334FP 600C	B	9.1/25.7
IC13	1110005771	S.IC S-80942CNMC-G9CT2G	B	126/44.8
IC14	1140014550	S.IC HD64F2506RFC26DV(EMPTY)	B	111.8/35.7
IC15	1150002211	IC RA55H4047M-121	[A]	
	1150002092	IC RA30H4047M-121	[M]	
	1150002092	IC RA30H4047M-121	[J]	
	1150002221	IC RA55H4452M-121	[B]	
	1150002032	IC RA30H4452M-121	[N]	
IC16	1140012950	S.IC 24LC512T-I/SM	B	133.3/29
IC17	1110002751	S.IC TA75S01F(TE85R,F)	B	55.8/66.7
IC18	1180000970	S.IC AN78L05M-(E1)	B	113/65.3
IC19	1120002510	S.IC DS14C232TM S	T	104.7/69
IC20	1180001251	S.IC TA7808F(TE16L,Q)	B	121.5/65.8
IC21	1110003091	IC LA4425A-E		
IC22	1110002751	S.IC TA75S01F(TE85R,F)	B	135.5/54.4
IC23	1130006221	S.IC TC4W53FU(TE12L,F)	B	109.6/12.9
Q1	1590003231	S.TRA UNR9113G0L	B	16.5/6.1
Q3	1530002851	S.TRA 2SC4116-BL(TE85R,F)	B	36.5/15.5
Q4	1590001650	S.TRA XP4601(TX)	B	92.8/12.4
Q5	1560000541	S.FET 2SK880-Y(T5RICOM,F)	B	81.3/41
Q6	1530002851	S.TRA 2SC4116-BL(TE85R,F)	B	50.6/28.4
Q7	1560000541	S.FET 2SK880-Y(T5RICOM,F)	B	82.4/30.6
Q8	1530002851	S.TRA 2SC4116-BL(TE85R,F)	B	79.3/37.8
Q9	1530002851	S.TRA 2SC4116-BL(TE85R,F)	B	82.1/35.4
Q10	1560001360	S.FET 2SK3019 TL	B	76.5/45.2
Q12	1530002601	S.TRA 2SC4215-O(TE85R,F)	T	26.8/19.2
Q13	1530002851	S.TRA 2SC4116-BL(TE85R,F)	B	31.8/9.9
Q16	1590003291	S.TRA UNR9213G0L	T	113.1/46.6
Q17	1530002920	S.TRA 2SC4226-T1 R25	T	60.7/41.9
Q18	1530002920	S.TRA 2SC4226-T1 R25	T	60.7/35.4
Q19	1530002920	S.TRA 2SC4226-T1 R25	T	60.7/28.9
Q20	1590003231	S.TRA UNR9113G0L	B	34.1/24.9
Q22	1530003311	S.TRA 2SC5107-O(TE85R,F)	T	56.7/33.6
Q23	1590001400	S.TRA XP1214(TX)	B	57.6/40.5
Q24	1590003291	S.TRA UNR9213G0L	B	55/40.5
Q25	1530004110	S.TRA MT3S37T(TE85L,F)	T	55.2/36.9
Q26	1590001400	S.TRA XP1214(TX)	B	56.6/33.5
Q27	1590003231	S.TRA UNR9113G0L	T	126.2/48.7
Q28	1590003291	S.TRA UNR9213G0L	B	123/46.1
Q29	1530003311	S.TRA 2SC5107-O(TE85R,F)	T	50.8/35.5
Q30	1530003311	S.TRA 2SC5107-O(TE85R,F)	B	64.3/62.9
Q31	1580000731	S.FET 3SK293(TE85L,F)	B	9.5/38.8
Q32	1560000841	S.FET 2SK1829(TE85R,F)	T	9.8/40.4
Q33	1530002851	S.TRA 2SC4116-BL(TE85R,F)	[A]	
	1530002851	S.TRA 2SC4116-BL(TE85R,F)	[B]	
Q34	1590003291	S.TRA UNR9213G0L	T	83/67.4
Q35	1520000460	S.TRA 2SB1132 T100 R	T	100.1/57.9
Q36	1590001190	S.TRA XP6501-(TX).AB	T	104.3/55.8
Q37	1540000550	S.TRA 2SD1664 T100Q	T	75.5/63.6
Q38	1510000920	S.TRA 2SA1577 T106 Q	T	64.9/54.1
Q39	1590003291	S.TRA UNR9213G0L	T	68.5/54.8
Q40	1590003291	S.TRA UNR9213G0L	T	103/52.9
Q41	1590001451	S.FET 2SJ144-GR (TE85R,F)	B	114.7/85.7
Q42	1590003291	S.TRA UNR9213G0L	B	131.7/43.6
Q43	1590000990	S.TRA DTC363EK T146	B	135.7/49
Q44	1590003291	S.TRA UNR9213G0L	T	108.9/20.3
Q45	1590003291	S.TRA UNR9213G0L	B	133.3/58.9
Q46	1590003291	S.TRA UNR9213G0L	T	119.2/85.6
Q47	1550000100	S.FET 2SJ377 (TE16L1,NQ)	B	131.3/71.5
Q48	1590003291	S.TRA UNR9213G0L	B	124.9/77.8
Q49	1530002851	S.TRA 2SC4116-BL(TE85R,F)	B	138.7/37.1
Q50	1530002601	S.TRA 2SC4215-O(TE85R,F)	T	40.2/39
Q51	1590003321	S.FET TPC6103(TE85L,F)	B	133.6/63.4
Q52	1590003291	S.TRA UNR9213G0L	B	128.2/61.1
Q53	1530000372	S.TRA 2SC3356-T1B R (R24)	B	68.4/68
Q54	1590003291	S.TRA UNR9213G0L	B	51.9/67.1
Q55	1560001360	S.FET 2SK3019 TL	T	74.1/20.3
Q56	1560001360	S.FET 2SK3019 TL	T	24.6/8
Q57	1590003291	S.TRA UNR9213G0L	T	111.1/13.4
D1	1750001070	S.DIO DAN235ETL	T	8.8/14.9
D2	1750001070	S.DIO DAN235ETL	T	22.5/8.5
D4	1790001261	S.DIO MA2S077G0L	T	52.5/43.6
D5	1790001261	S.DIO MA2S077G0L	T	52.5/41
D6	1750001070	S.DIO DAN235ETL	T	29.2/20.9
D7	1160000140	S.DIO DAP222 TL	T	59/13.8
D8	1750000711	S.VAR HVC350BTRF-E	T	68.2/42.7
D9	1750001150	S.VAR HVC383BTRF-E	T	70.5/44.7
D10	1750000711	S.VAR HVC350BTRF-E	T	68.2/36.2
D11	1750001150	S.VAR HVC383BTRF-E	T	70.5/38.2
D12	1750000711	S.VAR HVC350BTRF-E	T	68.2/29.7
D13	1750001150	S.VAR HVC383BTRF-E	T	70.5/31.7
D14	1720000570	S.VAR MA368(TX)	T	65.8/33.3
D15	1750000711	S.VAR HVC350BTRF-E	B	5.5/43.5
D16	1750000711	S.VAR HVC350BTRF-E	B	6.8/43.5

M.=Mounted side (T: Mounted on the Top side, B: Mounted on the Bottom side)
S.=Surface mount

[MAIN UNIT] (For IC-F6060 series)

REF NO.	PARTS NO.	DESCRIPTION	M.	H/V LOCATION
D17	1750000711	S.VAR HVC350BTRF-E	B	6.8/50.1
D18	1750000711	S.VAR HVC350BTRF-E	B	5.5/50.1
D19	1160000140	S.DIO DAP222 TL	B	120.3/17.6
D21	1750001070	S.DIO DAN235ETL	T	31.9/37.5
D22	1750000520	S.DIO DAN222TL	T	125.4/51
D23	1790001261	S.DIO MA25077G0L	T	125/38.9
D24	1750000581	S.DIO 1SV307(TPH3,F)	B	50.8/47.1
D25	1790001261	S.DIO MA25077G0L	B	48.3/46
D26	1750000711	S.VAR HVC350BTRF-E	B	14.1/36.1
D27	1750000711	S.VAR HVC350BTRF-E	B	10.7/36.1
D30	1750000711	S.VAR HVC350BTRF-E	B	18.3/36.2
D31	1790001251	S.DIO MA251110GL	T	6.2/42.2
D35	1790001261	S.DIO MA25077G0L	B	20/50.9
D36	1790001241	S.DIO MA2S7280GL	B	11.9/50.8
D37	1750000370	S.DIO DA221 TL	T	75.2/68
D38	1750000511	S.DIO UX9401F-STD/TR <INT>	[M] T	31.2/66.7
	1750000511	S.DIO UX9401F-STD/TR <INT>	[J]	
	1750000511	S.DIO UX9401F-STD/TR <INT>	[N]	
D39	1710001061	DIO L407CDB	[A]	
	1710001061	DIO L407CDB	[B]	
D42	1750001360	S.DIO L709CER (9401)	T	26.5/58
D45	1750000520	S.DIO DAN222TL	T	91.8/57.5
D46	1750000520	S.DIO DAN222TL	T	89.6/57.5
D47	1790001211	S.DIO 1SS375-TL-E	B	37.7/61.7
D48	1750000520	S.DIO DAN222TL	B	95.5/55.5
D49	1790000661	S.DIO MA2J7280GL	B	8.9/57.1
D50	1750000370	S.DIO DA221 TL	B	98.8/66.5
D51	1790000661	S.DIO MA2J7280GL	B	5.2/79.3
D52	1750000520	S.DIO DAN222TL	B	132.6/40.8
D53	1790001251	S.DIO MA251110GL	B	133.3/47.3
D55	1750000370	S.DIO DA221 TL	B	98.8/63
D56	1750000370	S.DIO DA221 TL	B	96.7/63
D57	1750000370	S.DIO DA221 TL	B	96.7/66.5
D58	1750000520	S.DIO DAN222TL	B	101.2/83.1
D59	1750000520	S.DIO DAN222TL	B	101.2/81
D62	1790000700	DIO DSA3A1	T	
D63	1750000520	S.DIO DAN222TL	B	112.3/82.2
D65	1750000520	S.DIO DAN222TL	B	129.7/58.9
D66	1790001621	S.DIO 1SV308(TPL3,F)	T	29.5/36.7
D67	1790001621	S.DIO 1SV308(TPL3,F)	T	34.3/36.7
D68	1790001621	S.DIO 1SV308(TPL3,F)	T	28.7/23.3
D69	1790001621	S.DIO 1SV308(TPL3,F)	T	30/23.3
D70	1730002411	S.ZEN MAZ8200GHL	T	120/83.6
D71	1750000520	S.DIO DAN222TL	B	94.6/62.3
D72	1750000520	S.DIO DAN222TL	B	94.8/59.1
F11	2020002500	CER LT450GW <JJE>		
F12	2020002510	CER LTW450HT <JJE>		
F13	2030000500	S.MON DSF753SBF 46.35 MHz (FL-401)	T	24.7/28.5
F14	2030000150	S.MON DSF753SB 46.350 MHz (FL-335)	T	35.6/28.4
F15	2040001440	S.LC NFE31PT152Z1E9L (NFM60R20T152)	B	94.5/77
F16	2040001440	S.LC NFE31PT152Z1E9L (NFM60R20T152)	B	94.5/73.7
F17	2040001440	S.LC NFE31PT152Z1E9L (NFM60R20T152)	[A] B	94.5/70.4
			[B]	
X1	6050012380	S.XTA CR-826 DSA535SD 15.3 MHz	T	86.1/34.6
X2	6050011730	S.XTA CR-765 SMD-49TA 3.6864 MHz <KDS>	T	48.6/12
X3	6070000300	S.DIS JTBM450CX24 <JJE>	T	37.1/10.3
X4	6050012320	S.XTA CR-818 SMD-49 4.194304 MHz <KDS>	T	139.1/21.9
X5	6050011720	S.XTA CR-764 SMD-49TB 19.6608 MHz <KDS>	T	120.4/44.4
L1	6200004660	S.COI MLF1608A 1R8K-T	B	80.7/52.1
L2	6200003540	S.COI MLF1608D R22K-T	B	34.4/14.7
L3	6200004480	S.COI MLF1608D R82K-T	B	29.6/16.2
L4	6200005671	S.COI ELJRE 12NGFA	T	54.4/43.9
L5	6200004741	S.COI NLV25T-1R2J	T	72.9/43.5
L6	6200004741	S.COI NLV25T-1R2J	T	70.4/41
L7	6200004741	S.COI NLV25T-1R2J	T	72.9/37
L8	6200004741	S.COI NLV25T-1R2J	T	72.9/30.5
L9	6200004741	S.COI NLV25T-1R2J	T	70.4/28
L10	6200012970	S.COI 0.30-0.91-4TR 8.6N <COMO>	[A] T	67.1/44.7
	6200012970	S.COI 0.30-0.91-4TR 8.6N <COMO>	[M]	
	6200012970	S.COI 0.30-0.91-4TR 8.6N <COMO>	[J]	
L12	6200012970	S.COI 0.30-0.91-4TR 8.6N <COMO>	[A] T	67.1/38.2
	6200012970	S.COI 0.30-0.91-4TR 8.6N <COMO>	[M]	
	6200012970	S.COI 0.30-0.91-4TR 8.6N <COMO>	[J]	
L13	6200004741	S.COI NLV25T-1R2J	T	70.4/34.5
L15	6200012390	S.COI 0.30-0.92-3TR 5.8N <COMO>	T	67.1/31.4
L16	6200010030	S.COI C2012C-15NG-A	[A] B	21.1/35.6
	6200010030	S.COI C2012C-15NG-A	[M]	
	6200010030	S.COI C2012C-15NG-A	[J]	
	6200010020	S.COI C2012C-12NG-A	[B]	
	6200010020	S.COI C2012C-12NG-A	[N]	
L17	6200004741	S.COI NLV25T-1R2J	[A] T	57.7/30
	6200004741	S.COI NLV25T-1R2J	[M]	
	6200004741	S.COI NLV25T-1R2J	[J]	
	6200002851	S.COI NLV25T-R82J	[B]	
	6200002851	S.COI NLV25T-R82J	[N]	
L18	6130003000	S.COI #617DB-1714=P3	B	39/36.2
L19	6130003000	S.COI #617DB-1714=P3	B	34.5/42.6
L20	6200005721	S.COI ELJRE 18NGFA	T	54.2/32.6
L21	6200005671	S.COI ELJRE 12NGFA	T	54.4/39.1

[MAIN UNIT] (For IC-F6060 series)

REF NO.	PARTS NO.	DESCRIPTION	M.	H/V LOCATION
L22	6200005711	S.COI ELJRE 27NGFA	[A] B	40.2/46
	6200005711	S.COI ELJRE 27NGFA	[M]	
	6200005711	S.COI ELJRE 27NGFA	[J]	
	6200005691	S.COI ELJRE 18NGFA	[N]	
	6200005691	S.COI ELJRE 18NGFA	[B]	
L23	6200005711	S.COI ELJRE 27NGFA	B	42.9/46
	6200005711	S.COI ELJRE 27NGFA	[A]	
	6200005711	S.COI ELJRE 27NGFA	[J]	
	6200005691	S.COI ELJRE 18NGFA	[B]	
	6200005691	S.COI ELJRE 18NGFA	[N]	
L24	6130003000	S.COI #617DB-1714=P3	B	27/36.2
L25	6200005711	S.COI ELJRE 27NGFA	T	50/38.4
L26	6200010030	S.COI C2012C-15NG-A	B	15.9/35.6
	6200010030	S.COI C2012C-15NG-A	[M]	
	6200010030	S.COI C2012C-15NG-A	[J]	
	6200010020	S.COI C2012C-12NG-A	[B]	
	6200010020	S.COI C2012C-12NG-A	[N]	
L27	6200005711	S.COI ELJRE 27NGFA	B	65.2/65.4
L28	6200010030	S.COI C2012C-15NG-A	[A] B	7/36.7
	6200010030	S.COI C2012C-15NG-A	[M]	
	6200010020	S.COI C2012C-12NG-A	[J]	
	6200010020	S.COI C2012C-12NG-A	[N]	
L29	6200005641	S.COI ELJRE 6N8ZFA	B	73.5/69
L30	6200005691	S.COI ELJRE 18NGFA	T	73.5/73.7
	6200005701	S.COI ELJRE 22NGFA	[A]	
	6200005701	S.COI ELJRE 22NGFA	[J]	
	6200005691	S.COI ELJRE 18NGFA	[B]	
	6200005691	S.COI ELJRE 18NGFA	[N]	
L31	6200010210	S.COI C2012C-22NG-A	B	9.2/44.8
	6200010210	S.COI C2012C-22NG-A	[A]	
	6200010210	S.COI C2012C-22NG-A	[M]	
	6200010210	S.COI C2012C-22NG-A	[J]	
	6200009980	S.COI C2012C-18NG-A	[B]	
	6200009980	S.COI C2012C-18NG-A	[N]	
L32	6200010210	S.COI C2012C-22NG-A	B	9.2/48.8
	6200010210	S.COI C2012C-22NG-A	[A]	
	6200010210	S.COI C2012C-22NG-A	[M]	
	6200009980	S.COI C2012C-18NG-A	[B]	
	6200009980	S.COI C2012C-18NG-A	[N]	
L33	6200010150	S.COI AS080340-15N	T	32.6/75.2
L34	6200010100	S.COI C2012C-33NG-A	B	13.7/50
L35	6200005691	S.COI ELJRE 18NGFA	B	23/50.7
	6200005691	S.COI ELJRE 18NGFA	[A]	
	6200005691	S.COI ELJRE 18NGFA	[M]	
	6200006771	S.COI ELJRE 1N5ZFA	[J]	
	6200006771	S.COI ELJRE 1N5ZFA	[N]	
L36	6200010420	S.COI FHW1210HC 1R0JGT <JJE>	B	31.2/68
L37	6200010150	S.COI AS080340-15N	T	30.3/58.1
L38	6200010150	S.COI AS080340-15N	T	22.2/58.3
L39	6200010150	S.COI AS080340-15N	T	14.3/60.3
L40	6200010150	S.COI AS080340-15N	T	10.3/82.4
L41	6200002861	S.COI NLV25T-4R7J	T	111.3/55.1
L42	6200005011	S.COI NLV25T-100J	T	40.1/41.6
L43	6200010680	S.COI C2520C-R22G-A (0.22U)	T	41.2/35.1
L44	6200010740	S.COI C2520C-R27G-A	T	35.9/39.5
L45	6200010150	S.COI AS080340-15N	T	6.4/58.3
L46	6200005711	S.COI ELJRE 27NGFA	B	71.1/68.8
L47	6200012390	S.COI 0.30-0.92-3TR 5.8N <COMO>	[B] T	65.1/44.7
	6200012390	S.COI 0.30-0.92-3TR 5.8N <COMO>	[N]	
L48	6200012390	S.COI 0.30-0.92-3TR 5.8N <COMO>	[B] T	65.1/38.2
	6200012390	S.COI 0.30-0.92-3TR 5.8N <COMO>	[N]	
R1	7030005060	S.RES ERJ2GEJ 333 X (33K)	B	38.6/6
R2	7510001730	S.THE ERTJOEP 473J	T	89.3/32.2
R3	7030005050	S.RES ERJ2GEJ 103 X (10K)	T	78.5/11.6
R4	7030005230	S.RES ERJ2GEJ 334 X (330K)	B	88.8/18.5
R5	7030005090	S.RES ERJ2GEJ 104 X (100K)	T	89.8/33.5
R6	7030005700	S.RES ERJ2GEJ 274 X (270K)	T	87.7/19.4
R7	7030005230	S.RES ERJ2GEJ 334 X (330K)	T	84.3/17.5
R8	7410001130	S.ARR EXB28V102JX	T	86.9/52.4
R9	7030007570	S.RES ERJ2GEJ 122 X (1.2K)	B	35.4/11.4
R10	7030007060	S.RES ERJ2GEJ 684X (680K)	B	35.8/13.7
R11	7030010040	S.RES ERJ2GEJ-JPW	T	9.3/12.9
R12	7030004970	S.RES ERJ2GEJ 470 X (47)	T	34.1/6.4
R13	7030007340	S.RES ERJ2GEJ 153 X (15K)	T	8.9/16.5
R14	7030007340	S.RES ERJ2GEJ 153 X (15K)	T	9.3/9.3
R15	7030005070	S.RES ERJ2GEJ 683 X (68K)	B	93.3/14.4
R17	7030007570	S.RES ERJ2GEJ 122 X (1.2K)	B	93.3/15.3
R18	7030008300	S.RES ERJ2GEJ 184 X (180K)	B	81.5/7.3
R19	7030005230	S.RES ERJ2GEJ 334 X (330K)	T	86.3/9.9
R20	7030005090	S.RES ERJ2GEJ 104 X (100K)	T	77.9/8.2
R21	7030005070	S.RES ERJ2GEJ 683 X (68K)	T	88.5/8.9
R22	7030005050	S.RES ERJ2GEJ 103 X (10K)	B	38.6/7.7
R23	7030005050	S.RES ERJ2GEJ 103 X (10K)	B	38.6/9.4
R24	7030005060	S.RES ERJ2GEJ 333 X (33K)	B	37.7/10.7
R25	7030005120	S.RES ERJ2GEJ 102 X (1K)	B	101/51.6
R26	7030005000	S.RES ERJ2GEJ 471 X (470)	B	96.7/5.7
R27	7030007300	S.RES ERJ2GEJ 332 X (3.3K)	T	53.9/5.6
R28	7030010040	S.RES ERJ2GEJ-JPW	T	59.6/5.4
R29	7030005000	S.RES ERJ2GEJ 471 X (470)	T	114.5/10.2
R30	7030005170	S.RES ERJ2GEJ 474 X (470K)	B	37.7/9.4
R31	7030007340	S.RES ERJ2GEJ 153 X (15K)	B	36.8/9
R32	7030005720	S.RES ERJ2GEJ 563 X (56K)	B	37.7/7.7
R33	7030005160	S.RES ERJ2GEJ 105 X (1M)	T	81/8.4
R34	7030005040	S.RES ERJ2GEJ 472 X (4.7K)	T	79/10
R35	7030005120	S.RES ERJ2GEJ 102 X (1K)	T	81.5/7.2
R36	7030007270	S.RES ERJ2GEJ 151 X (150)	B	25.8/14.4
R37	7030005210	S.RES ERJ2GEJ 822 X (8.2K)	B	15/7.3
R38	7030007340	S.RES ERJ2GEJ 153 X (15K)	T	23.1/6.2
R39	7030007340	S.RES ERJ2GEJ 153 X (15K)	T	22.8/10.2
R40	7030005240	S.RES ERJ2GEJ 473 X (47K)	T	25.9/10.6
R41	7030007290	S.RES ERJ2GEJ 222 X (2.2K)	T	26.4/5.3
R42	7030005090	S.RES ERJ2GEJ 104 X (100K)	B	94.7/11.7
R43	7030007300	S.RES ERJ2GEJ 332 X (3.3K)	B	95.2/10.4

M.=Mounted side (T: Mounted on the Top side, B: Mounted on the Bottom side)
S.=Surface mount

[MAIN UNIT] (For IC-F6060 series)

Table with columns: REF NO., PARTS NO., DESCRIPTION, M., H/V LOCATION. Lists components for the IC-F6060 series, including part numbers like 7030007340 and descriptions like ERJ2GGEJ 153 X (15K).

[MAIN UNIT] (For IC-F6060 series)

Table with columns: REF NO., PARTS NO., DESCRIPTION, M., H/V LOCATION. Lists components for the IC-F6060 series, including part numbers like 7030005220 and descriptions like ERJ2GGEJ 223 X (22K).

M.=Mounted side (T: Mounted on the Top side, B: Mounted on the Bottom side) S.=Surface mount

[MAIN UNIT] (For IC-F6060 series)

REF NO.	PARTS NO.	DESCRIPTION	M.	H/V LOCATION
R248	7410001130	S.ARR EXB28V102JX	B	103.9/47.9
R249	7410001130	S.ARR EXB28V102JX	B	123.6/27.2
R250	7410001130	S.ARR EXB28V102JX	B	121.9/25.3
R251	7410001140	S.ARR EXB28V104JX	T	122.2/27.9
R252	7410001140	S.ARR EXB28V104JX	T	122.1/25.7
R253	7030008290	S.RES ERJ2GEJ 183 X (18K)	T	11.8/40.8
R254	7030005110	S.RES ERJ2GEJ 224 X (220K)	T	7.3/41.1
R255	7030005240	S.RES ERJ2GEJ 473 X (47K)	B	9/41.9
R257	7030008400	S.RES ERJ2GEJ 182 X (1.8K)	T	7.3/39.7
R258	7030005170	S.RES ERJ2GEJ 474 X (470K)	T	8.4/42.2
R259	7030005090	S.RES ERJ2GEJ 104 X (100K)	B	5.4/45.6
R260	7030005090	S.RES ERJ2GEJ 104 X (100K)	B	5.4/48
R261	7410001130	S.ARR EXB28V102JX	B	99.7/43.5
R262	7410001130	S.ARR EXB28V102JX	T	100.5/37
R263	7410001130	S.ARR EXB28V102JX	B	97/40.7
R264	7410000750	S.ARR EXB-V4V 104JV (100K)	T	103.2/35.4
R265	7030007340	S.RES ERJ2GEJ 153 X (15K)	T	87.7/31
R266	7410001130	S.ARR EXB28V102JX	B	120.1/23.5
R267	7410001130	S.ARR EXB28V102JX	B	118.3/21.7
R268	7410001130	S.ARR EXB28V102JX	B	116.5/19.9
R269	7030005090	S.RES ERJ2GEJ 104 X (100K)	T	118.6/20.6
R270	7030007340	S.RES ERJ2GEJ 153 X (15K)	T	88.6/34.2
R271	7030007270	S.RES ERJ2GEJ 151 X (150)	T	73/71.8
R272	7030007280	S.RES ERJ2GEJ 331 X (330)	T	61.7/67.2
R273	7030005050	S.RES ERJ2GEJ 103 X (10K)	T	63.6/76.2
R274	7030004980	S.RES ERJ2GEJ 101 X (10K)	B	57.9/68.9
R277	7030005050	S.RES ERJ2GEJ 103 X (10K)	B	4.1/46.5
R278	7030005050	S.RES ERJ2GEJ 103 X (10K)	B	126.6/28.8
R279	7030005090	S.RES ERJ2GEJ 104 X (100K)	B	127.6/28.8
R280	7410001130	S.ARR EXB28V102JX	B	95.2/38.9
R281	7030005090	S.RES ERJ2GEJ 104 X (100K)	T	93.8/48.9
R282	7410000750	S.ARR EXB-V4V 104JV (100K)	T	91.6/49.5
R283	7410001130	S.ARR EXB28V102JX	B	104.7/22.2
R284	7030005120	S.RES ERJ2GEJ 102 X (1K)	T	11.3/25.3
R285	7410001130	S.ARR EXB28V102JX	B	107.1/19.9
R286	7410001140	S.ARR EXB28V104JX	T	120.5/21.8
R287	7030004990	S.RES ERJ2GEJ 221 X (220)	B	57.6/64.5
R288	7030005100	S.RES ERJ2GEJ 154 X (150K)	B	55.8/68.9
R289	7030008300	S.RES ERJ2GEJ 184 X (180K)	[A] B	44.3/65
R290	7030008300	S.RES ERJ2GEJ 184 X (180K)	[A] B	
	7520000260	S.POS PRF18BB471QB1RB	[B] T	33.7/66.7
	7520000260	S.POS PRF18BB471QB1RB	[B] T	
R291	7030005120	S.RES ERJ2GEJ 102 X (1K)	T	107.2/21.1
R292	7030006070	S.RES ERJ12VJ101U (100)	B	36.9/68
R293	7030005110	S.RES ERJ2GEJ 224 X (220K)	B	50.5/65.7
R294	7030005050	S.RES ERJ2GEJ 103 X (10K)	B	53.1/70.1
R295	7030005110	S.RES ERJ2GEJ 224 X (220K)	B	54.2/64.5
R296	7030005040	S.RES ERJ2GEJ 472 X (4.7K)	B	50/68.9
R297	7030008010	S.RES ERJ2GEJ 123 X (12K)	[A] B	51.8/70.2
	7030008010	S.RES ERJ2GEJ 123 X (12K)	[M] B	
	7030008010	S.RES ERJ2GEJ 123 X (12K)	[J] B	
	7030008010	S.RES ERJ2GEJ 123 X (12K)	[N] B	
	7030005220	S.RES ERJ2GEJ 223 X (22K)	B	
R298	7030006610	S.RES ERJ2GEJ 394 X (390K)	B	49.2/66.1
R299	7030005110	S.RES ERJ2GEJ 224 X (220K)	B	18.3/33.1
R300	7030005050	S.RES ERJ2GEJ 103 X (10K)	B	99.9/59.6
R301	7030007290	S.RES ERJ2GEJ 222 X (2.2K)	T	106.7/55
R302	7030000440	S.RES MCR10EZHJ 3.3K (332)	T	79.1/64.4
R303	7030000440	S.RES MCR10EZHJ 3.3K (332)	T	81.1/64.4
R304	7030000440	S.RES MCR10EZHJ 3.3K (332)	T	83.1/64.4
R305	7030005050	S.RES ERJ2GEJ 103 X (10K)	T	66.9/54.1
R306	7030005040	S.RES ERJ2GEJ 472 X (4.7K)	T	68.1/53.2
R307	7030005050	S.RES ERJ2GEJ 103 X (10K)	B	35.4/61.7
R308	7410001130	S.ARR EXB28V102JX	T	102.3/63.8
R309	7030005070	S.RES ERJ2GEJ 683 X (68K)	T	94.9/5.4
R310	7030004980	S.RES ERJ2GEJ 101 X (10K)	B	109.1/62.5
R311	7030000260	S.RES MCR10EZHJ 100 (101)	B	16/79.4
R312	7030005700	S.RES ERJ2GEJ 274 X (270K)	B	41/61.1
R313	7030003320	S.RES ERJ3GEVJ 101 V (100)	B	11.2/58
R314	7030007340	S.RES ERJ2GEJ 153 X (15K)	[A] B	10/55.3
	7030008400	S.RES ERJ2GEJ 182 X (1.8K)	[M] B	
	7030008400	S.RES ERJ2GEJ 182 X (1.8K)	[J] B	
	7030007340	S.RES ERJ2GEJ 153 X (15K)	[B] B	
	7030007340	S.RES ERJ2GEJ 153 X (15K)	[N] B	
R315	7030000220	S.RES MCR10EZHJ 47 (470)	B	3/61.6
R316	7030005170	S.RES ERJ2GEJ 474 X (470K)	T	92.7/10.3
R317	7030005160	S.RES ERJ2GEJ 105 X (1M)	B	116.5/86.3
R318	7030005160	S.RES ERJ2GEJ 105 X (1M)	B	113.7/83.8
R319	7030005120	S.RES ERJ2GEJ 102 X (1K)	B	114/82.6
R320	7030005160	S.RES ERJ2GEJ 105 X (1M)	B	112.9/86.3
R321	7030004970	S.RES ERJ2GEJ 470 X (47)	B	112.1/84.5
R322	7030007340	S.RES ERJ2GEJ 153 X (15K)	[A] B	4.6/80.9
	7030008400	S.RES ERJ2GEJ 182 X (1.8K)	[M] B	
	7030008400	S.RES ERJ2GEJ 182 X (1.8K)	[J] B	
	7030007340	S.RES ERJ2GEJ 153 X (15K)	[B] B	
	7030007340	S.RES ERJ2GEJ 153 X (15K)	[N] B	
R323	7030003320	S.RES ERJ3GEVJ 101 V (100)	B	6.8/80.9
R324	7030000620	S.RES MCR10EZHJ 100 K (104)	T	6.1/83.1
R325	7030005050	S.RES ERJ2GEJ 103 X (10K)	B	131.2/45.3
R326	7030005090	S.RES ERJ2GEJ 104 X (100K)	B	131.6/51.7
R327	7030007290	S.RES ERJ2GEJ 222 X (2.2K)	B	131.1/54.2
R328	7030005090	S.RES ERJ2GEJ 104 X (100K)	B	134.1/51.7
R329	7030005090	S.RES ERJ2GEJ 104 X (100K)	T	109.4/24.2
R330	7030005120	S.RES ERJ2GEJ 102 X (1K)	T	112.6/29.5
R331	7030000100	S.RES MCR10EZHJ 4.7 (4R7)	T	108.1/77.4
R332	7030005050	S.RES ERJ2GEJ 103 X (10K)	T	108/78.8
R333	7030005120	S.RES ERJ2GEJ 102 X (1K)	T	112.2/80
R334	7410001130	S.ARR EXB28V102JX	T	104.8/77
R335	7030005651	S.RES ERA3YKD 304V (300K)	B	99.9/57.9
R336	7030005871	S.RES ERA3YKD 104V (100K)	B	99.9/56.5
R337	7030003560	S.RES ERJ3GEVJ 103 V (10K)	T	136.3/65.7
R338	7030003560	S.RES ERJ3GEVJ 103 V (10K)	B	130.7/85.9
R339	7030005090	S.RES ERJ2GEJ 104 X (100K)	B	135.4/52.2
R340	7030007290	S.RES ERJ2GEJ 222 X (2.2K)	B	138.1/49.4
R341	7030005110	S.RES ERJ2GEJ 224 X (220K)	B	133.3/54.6

[MAIN UNIT] (For IC-F6060 series)

REF NO.	PARTS NO.	DESCRIPTION	M.	H/V LOCATION
R345	7030005110	S.RES ERJ2GEJ 224 X (220K)	B	133.3/56.3
R346	7030005040	S.RES ERJ2GEJ 472 X (4.7K)	B	137/52.2
R347	7030005050	S.RES ERJ2GEJ 103 X (10K)	B	137.8/53.7
R348	7030005700	S.RES ERJ2GEJ 274 X (270K)	B	129.1/77.2
R349	7030005090	S.RES ERJ2GEJ 104 X (100K)	B	127.8/77.7
R350	7030005120	S.RES ERJ2GEJ 102 X (1K)	B	140/47.6
R351	7030004980	S.RES ERJ2GEJ 101 X (100)	B	134.5/36.5
R352	7030008300	S.RES ERJ2GEJ 184 X (180K)	B	140.1/38.5
R353	7030005230	S.RES ERJ2GEJ 334 X (330K)	B	139.3/34.8
R354	7030010040	S.RES ERJ2GEJ-JPW	T	140.4/36
R355	7030008280	S.RES ERJ2GEJ 271 X (270)	B	138/34.8
R356	7540000290	ABS ERZV10D220		
R359	7030005090	S.RES ERJ2GEJ 104 X (100K)	B	112.6/80.5
R360	7030005090	S.RES ERJ2GEJ 104 X (100K)	T	78.4/5.3
R361	7030005600	S.RES ERJ2GEJ 273 X (27K)	T	76.7/18.3
R362	7030005050	S.RES ERJ2GEJ 103 X (10K)	T	121.7/48.6
R363	7030005120	S.RES ERJ2GEJ 102 X (1K)	T	42.9/38.2
R364	7030005040	S.RES ERJ2GEJ 472 X (4.7K)	T	42/37.2
R366	7030005050	S.RES ERJ2GEJ 103 X (10K)	B	131.4/63.4
R367	7030005000	S.RES ERJ2GEJ 471 X (470)	B	130.1/63
R368	7030005050	S.RES ERJ2GEJ 103 X (10K)	T	80.6/7.2
R370	7030005030	S.RES ERJ2GEJ 152 X (1.5K)	B	78.4/35.7
R371	7030005120	S.RES ERJ2GEJ 102 X (1K)	B	78.7/44.7
R372	7030010040	S.RES ERJ2GEJ-JPW	B	39.5/8.8
R373	7030010040	S.RES ERJ2GEJ-JPW	B	50.4/12.3
R374	7030005050	S.RES ERJ2GEJ 103 X (10K)	T	117.9/83.3
R375	7030005030	S.RES ERJ2GEJ 152 X (1.5K)	T	29.2/5.3
R376	7030005040	S.RES ERJ2GEJ 472 X (4.7K)	T	75.8/18.2
R377	7030005160	S.RES ERJ2GEJ 105 X (1M)	B	112.9/12.3
R378	7030005160	S.RES ERJ2GEJ 105 X (1M)	B	114.2/12.7
R379	7410001140	S.ARR EXB28V104JX	B	99.9/18
R380	7030005090	S.RES ERJ2GEJ 104 X (100K)	T	110.9/22.2
R385	7030010040	S.RES ERJ2GEJ-JPW	T	64.8/76.6
R386	7410000750	S.ARR EXB-V4V 104JV (100K)	T	110.1/30.2
R387	7030005120	S.RES ERJ2GEJ 102 X (1K)	T	104.8/86.7
R388	7030005120	S.RES ERJ2GEJ 102 X (1K)	T	108.8/86.7
R389	7030005050	S.RES ERJ2GEJ 103 X (10K)	T	103.8/38.2
C1	4030017420	S.CER ECJ0EC1H470J	T	88.9/54.3
C2	4030017420	S.CER ECJ0EC1H470J	T	89.9/54.3
C3	4030017420	S.CER ECJ0EC1H470J	T	41.7/15.3
C4	4030017420	S.CER ECJ0EC1H470J	B	50.4/14.9
C5	4030016930	S.CER ECJ0EB1A104K	T	89.8/34.6
C6	4550006250	S.TAN TEESVA 1A 106M8R	B	77.3/49.7
C8	4030017420	S.CER ECJ0EC1H470J	T	89.9/52
C9	4030016930	S.CER ECJ0EB1A104K	T	88.9/52
C10	4030016930	S.CER ECJ0EB1A104K	T	79.8/51
C11	4030016930	S.CER ECJ0EB1A104K	T	9.3/18.1
C12	4030016930	S.CER ECJ0EB1A104K	T	9.3/11.1
C13	4030016930	S.CER ECJ0EB1A104K	T	82.8/6.6
C14	4030016930	S.CER ECJ0EB1A104K	T	86.3/8.9
C15	4030017460	S.CER ECJ0EB1E102K	T	41.5/7.7
C16	4550000460	S.TAN TEESVA 1C 105M8R	T	42.7/6.2
C17	4550000460	S.TAN TEESVA 1C 105M8R	B	43/6.2
C18	4030017420	S.CER ECJ0EC1H470J	T	41.7/14
C19	4030017420	S.CER ECJ0EC1H470J	B	50.4/15.8
C20	4030016970	S.CER ECJ0EB1C223K	B	101/52.7
C21	4030017420	S.CER ECJ0EC1H470J	T	41.7/16.9
C22	4030017420	S.CER ECJ0EC1H470J	T	41.7/12.7
C23	4030016930	S.CER ECJ0EB1A104K	T	52.2/5.6
C24	4030017420	S.CER ECJ0EC1H470J	B	39.5/9.8
C25	4030017420	S.CER ECJ0EC1H470J	T	60.9/5.9
C26	4030016930	S.CER ECJ0EB1A104K	B	37.7/6
C27	4030017760	S.CER ECJ0EB1H222K	B	36.8/7.3
C28	4030016790	S.CER ECJ0EB1C103K	T	78.1/9.5
C29	4030017460	S.CER ECJ0EB1E102K	T	78.5/12.2
C30	4030016930	S.CER ECJ0EB1A104K	T	78.5/13.4
C31	4030017460	S.CER ECJ0EB1E102K	T	82/50.5
C32	4030017500	S.CER ECJ0EC1H560J	B	33.3/15.9
C33	4030016930	S.CER ECJ0EB1A104K	B	35.8/12.7
C34	4030017570	S.CER ECJ0EC1H040B	B	32/15.4
C35	4030017590	S.CER ECJ0EC1H070C	B	30.8/15.9
C36	4030016930	S.CER ECJ0EB1A104K	T	22.9/1.5
C37	4030017360	S.CER ECJ0EC1H030B	B	28.1/15.4
C38	4030016930	S.CER ECJ0EB1A104K	T	22.1/6.2
C39	4030016930	S.CER ECJ0EB1A104K	B	15/5.7
C40	4030016930	S.CER ECJ0EB1A104K	T	24.4/6
C41	4030016930	S.CER ECJ0EB1A104K	T	22.2/12.5
C42	4030016930	S.CER ECJ0EB1A104K	T	23.1/12.5
C43	4030017760	S.CER ECJ0EB1H222K	T	26.4/9.4
C44	4030017760	S.CER ECJ0EB1H222K	T	25.5/9.4
C45	4030017990	S.CER ECJ0EB1E682K	B	92.9/9.6
C46	4030016930	S.CER ECJ0EB1		

[MAIN UNIT] (For IC-F6060 series)

REF NO.	PARTS NO.	DESCRIPTION	M.	H/V LOCATION
C70	4030017420	S.CER ECJ0EC1H470J	B	30.6/14.3
C71	4030016940	S.CER ECJ0EB1A393K	B	92.9/7.8
C72	4030018860	S.CER ECJ0EB0J105K	B	50.9/11
C73	4030017750	S.CER ECJ0EB1E122K	B	50.3/17.7
C74	4030016930	S.CER ECJ0EB1A104K	B	52/17.7
C75	4030016930	S.CER ECJ0EB1A104K	B	55.9/12.6
C77	4030017460	S.CER ECJ0EB1E102K	B	53.1/12.7
C78	4030017460	S.CER ECJ0EB1E102K	B	53.3/8.6
C79	4550006250	S.TAN TEESVA 1A 106M8R	B	50.1/33.1
C80	4030017770	S.CER ECJ0EB1E332K	B	82.6/43.3
C81	4550000560	S.TAN TEESVA 1V 334M8R	B	84.4/41.1
C82	4030017460	S.CER ECJ0EB1E102K	B	80.3/30.7
C83	4550000270	S.TAN TEESVA 1E 474M8R	B	84.4/35.9
C84	4030017460	S.CER ECJ0EB1E102K	B	83.2/49.6
C85	4030017350	S.CER ECJ0EC1H020B	T	55.2/45.4
C87	4030017340	S.CER ECJ0EC1H010B	T	53.9/42.8
C88	4030017530	S.CER ECJ0EC1HOR5B	T	55.2/42.3
C89	4030017550	S.CER ECJ0EC1H1R5B	[A] T	53.9/41.8
	4030017550	S.CER ECJ0EC1H1R5B	[M]	
	4030017550	S.CER ECJ0EC1H1R5B	[J]	
	4030017340	S.CER ECJ0EC1H010B	[B]	
	4030017340	S.CER ECJ0EC1H010B	[N]	
C91	4030016790	S.CER ECJ0EB1C103K	T	27.3/17.3
C92	4030017460	S.CER ECJ0EB1E102K	T	24.6/20.3
C93	4030017680	S.CER ECJ0EC1H820J	T	32.6/12.5
C94	4030017460	S.CER ECJ0EB1E102K	B	30.5/12.5
C95	4030016790	S.CER ECJ0EB1C103K	T	28.8/19.3
C96	4030016930	S.CER ECJ0EB1A104K	B	32.7/6.1
C97	4030016930	S.CER ECJ0EB1A104K	B	29.8/9.4
C98	4030016930	S.CER ECJ0EB1A104K	B	89.3/7.4
C99	4030016930	S.CER ECJ0EB1A104K	B	90.8/14.6
C100	4030016930	S.CER ECJ0EB1A104K	T	86.1/15.6
C101	4030017710	S.CER ECJ0EC1H181J	T	83.9/7.5
C102	4030016930	S.CER ECJ0EB1A104K	T	106.7/34.7
C103	4030016930	S.CER ECJ0EB1A104K	B	55.3/19.5
C104	4550000270	S.TAN TEESVA 1E 474M8R	B	76.6/32.9
C105	4030017420	S.CER ECJ0EC1H470J	B	74.2/41.3
C107	4030016930	S.CER ECJ0EB1A104K	T	72.9/43.4
C110	4030017420	S.CER ECJ0EC1H470J	T	74.2/34.8
C111	4030016930	S.CER ECJ0EB1A104K	B	73.9/28.3
C112	4030017460	S.CER ECJ0EB1E102K	T	73/27.4
C113	4030017420	S.CER ECJ0EC1H470J	T	74.2/28.3
C114	4030016790	S.CER ECJ0EB1C103K	T	24.2/21.3
C115	4030016790	S.CER ECJ0EB1C103K	T	22.5/21.3
C116	4030016790	S.CER ECJ0EB1C103K	T	26.6/22.5
C119	4030017640	S.CER ECJ0EC1H150J	T	20.3/27.9
C120	4030016790	S.CER ECJ0EB1C103K	T	32.2/22.5
C123	4030017390	S.CER ECJ0EC1H180J	T	40/28
C124	4030016930	S.CER ECJ0EB1A104K	B	90.8/17.4
C126	4030016930	S.CER ECJ0EB1A104K	T	82.7/21.2
C128	4030016930	S.CER ECJ0EB1A104K	T	80/20.2
C129	4030016930	S.CER ECJ0EB1A104K	B	63.7/16
C130	4030016930	S.CER ECJ0EB1A104K	B	134.8/16.8
C131	4030017660	S.CER ECJ0EC1H330J	B	137.5/23.8
C132	4030017660	S.CER ECJ0EC1H330J	B	137.5/18.8
C133	4030017580	S.CER ECJ0EC1H060C	[A] T	69/43.9
	4030017580	S.CER ECJ0EC1H060C	[M]	
	4030017580	S.CER ECJ0EC1H060C	[J]	
	4030017380	S.CER ECJ0EC1H050B	[B]	
	4030017380	S.CER ECJ0EC1H050B	[N]	
C134	4030017590	S.CER ECJ0EC1H070C	T	70.3/43
C135	4030017590	S.CER ECJ0EC1H070C	T	69/37.4
C136	4030017460	S.CER ECJ0EB1E102K	B	84.1/27.8
C137	4030017670	S.CER ECJ0EC1H390J	[A] T	70.3/30
	4030017670	S.CER ECJ0EC1H390J	[M]	
	4030017670	S.CER ECJ0EC1H390J	[J]	
	4030017630	S.CER ECJ0EC1H120J	[B]	
	4030017630	S.CER ECJ0EC1H120J	[N]	
C138	4030017640	S.CER ECJ0EC1H150J	[A] T	69/30.9
	4030017640	S.CER ECJ0EC1H150J	[M]	
	4030017640	S.CER ECJ0EC1H150J	[J]	
	4030017620	S.CER ECJ0EC1H100C	[B]	
	4030017620	S.CER ECJ0EC1H100C	[N]	
C139	4030017630	S.CER ECJ0EC1H100C	[A] T	70.3/36.5
	4030017630	S.CER ECJ0EC1H120J	[M]	
	4030017630	S.CER ECJ0EC1H120J	[J]	
	4030017620	S.CER ECJ0EC1H100C	[B]	
	4030017620	S.CER ECJ0EC1H100C	[N]	
C140	4030017460	S.CER ECJ0EB1E102K	T	73/40.4
C141	4030017460	S.CER ECJ0EB1E102K	T	73/33.9
C142	4030018860	S.CER ECJ0EB0J105K	T	90.1/10.7
C143	4030017340	S.CER ECJ0EC1H010B	T	64.7/31.3
C145	4030016790	S.CER ECJ0EB1C103K	T	27.8/35.2
C147	4030016790	S.CER ECJ0EB1C103K	T	35.1/35.2
C148	4030016790	S.CER ECJ0EB1C103K	T	29.9/33.9
C149	4030016930	S.CER ECJ0EB1A104K	B	76.5/18.7
C150	4030018560	S.CER C2012 JB 1A 475K-T	B	89/22
C151	4030016930	S.CER ECJ0EB1A104K	T	111.1/46.3
C152	4030016930	S.CER ECJ0EB1A104K	T	108.5/35.7
C153	4030017460	S.CER ECJ0EB1E102K	T	110.3/35.6
C154	4030018860	S.CER ECJ0EB0J105K	T	83.2/19.8
C155	4030017420	S.CER ECJ0EC1H470J	T	110.3/37.9
C156	4030017910	S.CER ECJ0EB1H152K	T	103.2/42.7
C157	4030017420	S.CER ECJ0EC1H470J	T	110.7/47.2
C158	4030017430	S.CER ECJ0EC1H010J	T	108.5/36.7
C159	4030017460	S.CER ECJ0EB1E102K	B	118.5/9.4
C160	4030017460	S.CER ECJ0EB1E102K	B	130.6/25.4
C161	4030017610	S.CER ECJ0EC1H090C	[A] T	64.2/43
	4030017610	S.CER ECJ0EC1H090C	[M]	
	4030017610	S.CER ECJ0EC1H090C	[J]	
	4030017620	S.CER ECJ0EC1H100C	[B]	
	4030017620	S.CER ECJ0EC1H100C	[N]	

[MAIN UNIT] (For IC-F6060 series)

REF NO.	PARTS NO.	DESCRIPTION	M.	H/V LOCATION
C162	4030017380	S.CER ECJ0EC1H050B	[A] T	68.6/45.2
	4030017380	S.CER ECJ0EC1H050B	[M]	
	4030017380	S.CER ECJ0EC1H050B	[J]	
	4030017620	S.CER ECJ0EC1H100C	[B]	
	4030017620	S.CER ECJ0EC1H100C	[N]	
C163	4030017640	S.CER ECJ0EC1H150J	T	64.2/36.5
	4030017640	S.CER ECJ0EC1H150J	[A]	
	4030017640	S.CER ECJ0EC1H150J	[M]	
	4030017640	S.CER ECJ0EC1H150J	[J]	
	4030017390	S.CER ECJ0EC1H180J	[B]	
	4030017390	S.CER ECJ0EC1H180J	[N]	
C164	4030017380	S.CER ECJ0EC1H050B	T	61.6/44.8
	4030017380	S.CER ECJ0EC1H050B	[A]	
	4030017380	S.CER ECJ0EC1H050B	[M]	
	4030017380	S.CER ECJ0EC1H050B	[J]	
	4030017570	S.CER ECJ0EC1H040B	[B]	
	4030017570	S.CER ECJ0EC1H040B	[N]	
C165	4030017630	S.CER ECJ0EC1H120J	T	60.3/45.2
	4030017630	S.CER ECJ0EC1H120J	[A]	
	4030017630	S.CER ECJ0EC1H120J	[M]	
	4030017630	S.CER ECJ0EC1H120J	[J]	
	4030017620	S.CER ECJ0EC1H100C	[B]	
	4030017620	S.CER ECJ0EC1H100C	[N]	
C166	4030017380	S.CER ECJ0EC1H050B	T	68.6/38.7
	4030017380	S.CER ECJ0EC1H050B	[A]	
	4030017380	S.CER ECJ0EC1H050B	[M]	
	4030017380	S.CER ECJ0EC1H050B	[J]	
	4030017580	S.CER ECJ0EC1H060C	[B]	
	4030017580	S.CER ECJ0EC1H060C	[N]	
C167	4030017640	S.CER ECJ0EC1H150J	T	64.2/30
C168	4030017630	S.CER ECJ0EC1H120J	T	61.6/38.3
	4030017630	S.CER ECJ0EC1H120J	[A]	
	4030017630	S.CER ECJ0EC1H120J	[M]	
	4030017610	S.CER ECJ0EC1H090C	[B]	
	4030017610	S.CER ECJ0EC1H090C	[N]	
C169	4030017640	S.CER ECJ0EC1H150J	T	60.3/38.7
	4030017640	S.CER ECJ0EC1H150J	[A]	
	4030017640	S.CER ECJ0EC1H150J	[M]	
	4030017390	S.CER ECJ0EC1H180J	[B]	
	4030017390	S.CER ECJ0EC1H180J	[N]	
C170	4030017340	S.CER ECJ0EC1H010B	T	65.6/31.3
C171	4030017570	S.CER ECJ0EC1H040B	T	68.6/32.2
	4030017570	S.CER ECJ0EC1H040B	[A]	
	4030017570	S.CER ECJ0EC1H040B	[M]	
	4030017570	S.CER ECJ0EC1H040B	[J]	
	4030017560	S.CER ECJ0EC1H2R5B	[B]	
	4030017560	S.CER ECJ0EC1H2R5B	[N]	
C172	4030017600	S.CER ECJ0EC1H080C	T	61.6/31.8
	4030017600	S.CER ECJ0EC1H080C	[A]	
	4030017600	S.CER ECJ0EC1H080C	[M]	
	4030017600	S.CER ECJ0EC1H080C	[J]	
	4030017570	S.CER ECJ0EC1H040B	[B]	
	4030017570	S.CER ECJ0EC1H040B	[N]	
C173	4030017620	S.CER ECJ0EC1H100C	T	60.2/32.2
	4030017620	S.CER ECJ0EC1H100C	[A]	
	4030017620	S.CER ECJ0EC1H100C	[M]	
	4030017620	S.CER ECJ0EC1H100C	[J]	
	4030017580	S.CER ECJ0EC1H060C	[B]	
	4030017580	S.CER ECJ0EC1H060C	[N]	
C174	4030017640	S.CER ECJ0EC1H150J	T	38.1/37.2
C175	4030016790	S.CER ECJ0EB1C103K	B	41.4/39.4
C176	4030016930	S.CER ECJ0EB1A104K	B	41.2/32.8
C177	4030017730	S.CER ECJ0EB1E471K	B	42.1/32.8
C178	4030016790	S.CER ECJ0EB1C103K	B	34.6/32.9
C180	4030017740	S.CER ECJ0EB1E821K	T	108.8/47.5
C181	4030016930	S.CER ECJ0EB1A104K	T	111.5/43.6
C182	4030016780	S.CER ECJ0EB1C153K	T	112/39.9
C183	4030017420	S.CER ECJ0EC1H470J	T	103.8/44.5
C184	4030017760	S.CER ECJ0EB1H222K	T	105.4/47.5
C185	4030017690	S.CER ECJ0EC1H121J	T	107.1/47.5
C186	4030016930	S.CER ECJ0EB1A104K	T	62.6/40.9
C187	4030017460	S.CER ECJ0EB1E102K	T	63.5/40.9
C188	4030016790	S.CER ECJ0EB1C103K	T	62.6/34.4
C189	4030017460	S.CER ECJ0EB1E102K	T	63.5/34.4
C190	4030017530	S.CER ECJ0EC1HOR5B	T	58.6/42.7
C191	4030016790	S.CER ECJ0EB1C103K	T	62.6/27.9
C192	4030017520	S.CER ECJ0EC1HOR3B	T	58.6/36.2
	4030017520	S.CER ECJ0EC1HOR3B	[A]	
	4030017520	S.CER ECJ0EC1HOR3B	[M]	
	4030017520	S.CER ECJ0EC1HOR3B	[J]	
	4030017530	S.CER ECJ0EC1HOR5B	[B]	
	4030017530	S.CER ECJ0EC1HOR5B	[N]	
C193	4030017460	S.CER ECJ0EB1E102K	T	63.5/27.9
C194	4030017530	S.CER ECJ0EC1HOR5B	T	58.9/31.8
C195	4030016930	S.CER ECJ0EB1A104K	B	40.3/30.2
C196	4030017730	S.CER ECJ0EB1E471K	B	38.7/33.2
C197	4030016930	S.CER ECJ0EB1A104K	B	38.7/32.3
C198	4030017730	S.CER ECJ0EB1E471K	B	31.3/38.3
C199	4030016930	S.CER ECJ0EB1A104K	B	31.3/39.2
C200	4030016930	S.CER ECJ0EB1A104K	B	31.3/34.1
C201	4030017730	S.CER ECJ0EB1E471K	B	31.3/35.9
C202	4030017460	S.CER ECJ0EB1E102K	T	112/38.9
C203	4030017460	S.CER ECJ0EB1E102K	B	100.5/47.4
C204	4030017420	S.CER ECJ0EC1H470J	B	66.4/33.1
C205	4030018900	S.CER ECJ0EB0J474K	T	79.6/19.3
C206	4030016930	S.CER ECJ0EB1A104K	T	78.5/16.7
C207	4030017730	S.CER ECJ0EB1E471K	T	54.2/27.8
C208	4030017460	S.CER ECJ0EB1E102K	T	55.3/32.2
C209	4030017460	S.CER ECJ0EB1E102K	B	53.6/35.9
C210	4030017380	S.CER ECJ0EC1H050B	T	52.7/33.4
C211	4030017610	S.CER ECJ0EC1H090C	T	54.7/34.9
C212	4030017420	S.CER ECJ0EC1H470J	T	53.9/38
C213	4030017460			

[MAIN UNIT] (For IC-F6060 series)

REF NO.	PARTS NO.	DESCRIPTION	M.	H/V LOCATION
C216	4030017630	S.CER ECJ0EC1H120J	[A]	B 41.5/44.6
	4030017630	S.CER ECJ0EC1H120J	[M]	
	4030017630	S.CER ECJ0EC1H120J	[J]	
	4030017390	S.CER ECJ0EC1H180J	[B]	
C217	4030017730	S.CER ECJ0EB1E471K	B	25.4/33.2
	4030016930	S.CER ECJ0EB1A104K	B	
C218	4030016930	S.CER ECJ0EB1A104K	B	23.8/33.2
C219	4030017570	S.CER ECJ0EC1H040B	[A]	B 22.7/36.5
	4030017570	S.CER ECJ0EC1H040B	[M]	
C220	4030017570	S.CER ECJ0EC1H040B	[J]	B 22.2/37.7
	4030017570	S.CER ECJ0EC1H040B	[N]	
C221	4030017550	S.CER ECJ0EC1H1R5B	B	22.2/37.7
C221	4030016930	S.CER ECJ0EB1A104K	B	5.6/23.2
C222	4030017030	S.CER ECJ0EB1A273K	B	128.7/45.9
C223	4030016930	S.CER ECJ0EB1A104K	B	123.5/43.9
C224	4030017640	S.CER ECJ0EC1H150J	T	123/39.9
C225	4030016790	S.CER ECJ0EB1C103K	T	125/36.8
C226	4030017580	S.CER ECJ0EC1H060C	T	123.4/40.8
C227	4030017460	S.CER ECJ0EB1E102K	B	48/35
C228	4030017460	S.CER ECJ0EB1E102K	[A]	T 49.4/37.2
	4030017460	S.CER ECJ0EB1E102K	[M]	
C229	4030017460	S.CER ECJ0EB1E102K	[J]	B 50.8/40.8
	4030017420	S.CER ECJ0EC1H470J	[N]	
C229	4030017620	S.CER ECJ0EC1H100C	[A]	B 50.8/40.8
	4030017620	S.CER ECJ0EC1H100C	[M]	
C229	4030017620	S.CER ECJ0EC1H100C	[J]	B 50.8/40.8
	4030017620	S.CER ECJ0EC1H100C	[N]	
C230	4030017460	S.CER ECJ0EB1E102K	B	48.8/49.7
	4030017340	S.CER ECJ0EC1H010B	B	
C232	4030017460	S.CER ECJ0EB1E102K	T	55.2/40.6
C234	4030017370	S.CER ECJ0EC1H3R5B	B	50.8/49.7
C235	4030017460	S.CER ECJ0EB1E102K	B	45.8/42.9
C236	4030017580	S.CER ECJ0EC1H060C	[A]	B 44.2/44.6
	4030017580	S.CER ECJ0EC1H060C	[M]	
C236	4030017580	S.CER ECJ0EC1H060C	[J]	B 44.2/44.6
	4030017620	S.CER ECJ0EC1H100C	[B]	
C237	4030017620	S.CER ECJ0EC1H100C	[N]	B 45.1/46
	4030017620	S.CER ECJ0EC1H100C	[M]	
C237	4030017620	S.CER ECJ0EC1H100C	[J]	B 45.1/46
	4030017400	S.CER ECJ0EC1H220J	[B]	
C239	4030017400	S.CER ECJ0EC1H220J	[N]	B 12.9/35.7
	4030017350	S.CER ECJ0EC1H020B	[A]	
C239	4030017350	S.CER ECJ0EC1H020B	[M]	B 12.9/35.7
	4030017350	S.CER ECJ0EC1H020B	[J]	
C240	4030017610	S.CER ECJ0EC1H090C	[A]	B 14/34.4
	4030017610	S.CER ECJ0EC1H090C	[M]	
C240	4030017610	S.CER ECJ0EC1H090C	[J]	B 14/34.4
	4030017600	S.CER ECJ0EC1H080C	[B]	
C241	4030017600	S.CER ECJ0EC1H080C	[N]	B 17.1/37.7
	4030017520	S.CER ECJ0EC1H0R3B	[A]	
C241	4030017520	S.CER ECJ0EC1H0R3B	[M]	B 17.1/37.7
	4030017530	S.CER ECJ0EC1H0R5B	[J]	
C242	4030017520	S.CER ECJ0EC1H0R3B	[B]	B 10.2/34.4
	4030017520	S.CER ECJ0EC1H0R3B	[N]	
C242	4030017610	S.CER ECJ0EC1H090C	[A]	B 10.2/34.4
	4030017610	S.CER ECJ0EC1H090C	[M]	
C242	4030017610	S.CER ECJ0EC1H090C	[J]	B 10.2/34.4
	4030017600	S.CER ECJ0EC1H080C	[B]	
C243	4030017600	S.CER ECJ0EC1H080C	[N]	B 15.4/32.2
	4030017460	S.CER ECJ0EB1E102K	B	
C244	4030017460	S.CER ECJ0EB1E102K	B	9.7/31.4
C245	4550006780	S.TAN TEESVB2 0J 476M8R	B	5.6/18.7
C246	4030016930	S.CER ECJ0EB1A104K	B	104.2/52.7
C247	4030016930	S.CER ECJ0EB1A104K	B	106/54.6
C248	4030016930	S.CER ECJ0EB1A104K	B	107.6/52.4
C249	4030018900	S.CER ECJ0EB0J474K	B	121/47.2
C250	4030017630	S.CER ECJ0EC1H120J	T	120.4/39.9
C251	4030017380	S.CER ECJ0EC1H050B	[A]	B 66.3/65.9
	4030017380	S.CER ECJ0EC1H050B	[M]	
C251	4030017380	S.CER ECJ0EC1H050B	[J]	B 66.3/65.9
	4030017370	S.CER ECJ0EC1H3R5B	[B]	
C252	4030017370	S.CER ECJ0EC1H3R5B	[N]	B 61/66.2
	4030017420	S.CER ECJ0EC1H470J	B	
C253	4030017730	S.CER ECJ0EB1E471K	B	65.1/70.5
C254	4030017420	S.CER ECJ0EC1H470J	B	69.9/71.1
C255	4030017420	S.CER ECJ0EC1H470J	B	63.2/65
C257	4030017530	S.CER ECJ0EC1H0R5B	[A]	B 70.2/66.9
	4030017530	S.CER ECJ0EC1H0R5B	[M]	
C257	4030017530	S.CER ECJ0EC1H0R5B	[J]	B 70.2/66.9
	4030017520	S.CER ECJ0EC1H0R3B	[B]	
C258	4030017520	S.CER ECJ0EC1H0R3B	[N]	B 6.5/33.5
	4030017460	S.CER ECJ0EB1E102K	B	
C259	4030017460	S.CER ECJ0EB1E102K	B	16.4/42.4
C260	4030017530	S.CER ECJ0EC1H0R5B	[A]	B 9.5/35.7
	4030017530	S.CER ECJ0EC1H0R5B	[M]	
C260	4030017340	S.CER ECJ0EC1H010B	[B]	B 9.5/35.7
	4030017340	S.CER ECJ0EC1H010B	[N]	
C261	4030017460	S.CER ECJ0EB1E102K	B	8.1/34.4
C262	4030017460	S.CER ECJ0EB1E102K	B	9/36.9
C263	4030016790	S.CER ECJ0EB1C103K	B	5.4/36.4
C265	4030017420	S.CER ECJ0EC1H470J	B	6.9/40.3
C266	4030017460	S.CER ECJ0EB1E102K	B	7.3/39.4
C267	4030017460	S.CER ECJ0EB1E102K	B	69/71.1
C268	4030017360	S.CER ECJ0EC1H030B	B	72.3/69.4
C269	4030017550	S.CER ECJ0EC1H1R5B	B	73.5/66.9
C270	4030017580	S.CER ECJ0EC1H060C	[A]	B 71.1/70.5
	4030017580	S.CER ECJ0EC1H060C	[M]	
C270	4030017580	S.CER ECJ0EC1H060C	[J]	B 71.1/70.5
	4030017570	S.CER ECJ0EC1H040B	[B]	
C270	4030017570	S.CER ECJ0EC1H040B	[N]	B 71.1/70.5

[MAIN UNIT] (For IC-F6060 series)

REF NO.	PARTS NO.	DESCRIPTION	M.	H/V LOCATION
C271	4030017520	S.CER ECJ0EC1H0R3B	[A]	B 12.1/36.9
	4030017520	S.CER ECJ0EC1H0R3B	[M]	
	4030017530	S.CER ECJ0EC1H0R5B	[J]	
	4030017520	S.CER ECJ0EC1H0R3B	[B]	
C272	4030017520	S.CER ECJ0EC1H0R3B	[N]	12.2/43.3
	4030016930	S.CER ECJ0EB1A104K	B	
C273	4030016930	S.CER ECJ0EB1A104K	B	12.8/40.8
C274	4030017460	S.CER ECJ0EB1E102K	B	3.9/41
C275	4030017420	S.CER ECJ0EC1H470J	B	13.5/39.1
C276	4030017590	S.CER ECJ0EC1H070C	B	10/41.9
C277	4030017460	S.CER ECJ0EB1E102K	T	13.5/39.1
C278	4030017590	S.CER ECJ0EC1H070C	[A]	B 9.5/43.2
	4030017590	S.CER ECJ0EC1H070C	[M]	
C278	4030017590	S.CER ECJ0EC1H070C	[J]	B 9.5/43.2
	4030017600	S.CER ECJ0EC1H080C	[B]	
C279	4030017410	S.CER ECJ0EC1H240J	[A]	B 6.7/45.2
	4030017410	S.CER ECJ0EC1H240J	[M]	
C279	4030017410	S.CER ECJ0EC1H240J	[J]	B 6.7/45.2
	4030017390	S.CER ECJ0EC1H180J	[B]	
C280	4030017390	S.CER ECJ0EC1H180J	[N]	B 10/46.8
	4030017560	S.CER ECJ0EC1H2R5B	B	
C281	4030017420	S.CER ECJ0EC1H470J	T	95.5/35.9
C282	4030017420	S.CER ECJ0EC1H470J	T	102.2/41.1
C283	4030017420	S.CER ECJ0EC1H470J	T	95.8/47
C284	4030017420	S.CER ECJ0EC1H470J	B	97.8/37.2
C285	4030017420	S.CER ECJ0EC1H470J	B	94.9/44.7
C286	4030017420	S.CER ECJ0EC1H470J	B	93.8/44.7
C287	4030017420	S.CER ECJ0EC1H470J	T	93.8/40
C288	4030017460	S.CER ECJ0EB1E102K	B	4.1/47.4
C289	4030017610	S.CER ECJ0EC1H090C	[A]	B 18.8/34.4
	4030017610	S.CER ECJ0EC1H090C	[M]	
C289	4030017610	S.CER ECJ0EC1H090C	[J]	B 18.8/34.4
	4030017600	S.CER ECJ0EC1H080C	[B]	
C290	4030017600	S.CER ECJ0EC1H080C	[N]	T 73.9/75.6
	4030017580	S.CER ECJ0EC1H060C	[A]	
C290	4030017580	S.CER ECJ0EC1H060C	[M]	T 73.9/75.6
	4030017580	S.CER ECJ0EC1H060C	[J]	
C291	4030017570	S.CER ECJ0EC1H040B	[B]	T 69.2/76.6
	4030017730	S.CER ECJ0EB1E471K	T	
C294	4030017420	S.CER ECJ0EC1H470J	T	70.3/76.6
C295	4030017420	S.CER ECJ0EC1H470J	B	58.4/69.9
C297	4030017460	S.CER ECJ0EB1E102K	B	58.4/67.9
C299	4030017410	S.CER ECJ0EC1H240J	[A]	B 6.7/48.4
	4030017410	S.CER ECJ0EC1H240J	[M]	
C299	4030017410	S.CER ECJ0EC1H240J	[J]	B 6.7/48.4
	4030017390	S.CER ECJ0EC1H180J	[B]	
C300	4030017390	S.CER ECJ0EC1H180J	[N]	B 9.5/50.4
	4030017590	S.CER ECJ0EC1H070C	[A]	
C300	4030017590	S.CER ECJ0EC1H070C	[M]	B 9.5/50.4
	4030017590	S.CER ECJ0EC1H070C	[J]	
C301	4030017590	S.CER ECJ0EC1H070C	[B]	B 11.7/48.8
	4030017600	S.CER ECJ0EC1H080C	[N]	
C302	4030017600	S.CER ECJ0EC1H080C	B	4.1/44.7
C303	4030016930	S.CER ECJ0EB1A104K	B	127.6/31.4
C304	4030017420	S.CER ECJ0EC1H470J	T	90.5/43
C305	4030011050	S.CER GRM31M3C2H3R0CY21L (GRM42-6 CJ)	T	27.6/79.2
C306	4030011040	S.CER GRM31M4C2H2R0CY21L (GRM42-6 CK)	[A]	T 25.6/76.6
	4030011050	S.CER GRM31M3C2H3R0CY21L (GRM42-6 CJ)	[M]	
C306	4030011050	S.CER GRM31M3C2H3R0CY21L (GRM42-6 CJ)	[J]	T 25.6/76.6
	4030011030	S.CER GRM31M4C2H1R5CY21L (GRM42-6 CK)	[B]	
C307	4030011030	S.CER GRM31M4C2H1R5CY21L (GRM42-6 CK)	[N]	T 25.6/73.8
	4030011040	S.CER GRM31M4C2H2R0CY21L (GRM42-6 CK)	[A]	
C307	4030011040	S.CER GRM31M4C2H2R0CY21L (GRM42-6 CK)	[M]	T 25.6/73.8
	4030011040	S.CER GRM31M4C2H2R0CY21L (GRM42-6 CK)	[J]	
C308	4030011040	S.CER GRM31M4C2H2R0CY21L (GRM42-6 CK)	[B]	T 27.6/71.2
	4030011020	S.CER GRM31M4C2H1R0CY21L (GRM42-6 CK)	[N]	
C308	4030011050	S.CER GRM31M3C2H3R0CY21L (GRM42-6 CJ)	[A]	T 27.6/71.2
	4030011040	S.CER GRM31M4C2H2R0CY21L (GRM42-6 CK)	[M]	
C308	4030011040	S.CER GRM31M4C2H2R0CY21L (GRM42-6 CK)	[J]	T 27.6/71.2
	4030011040	S.CER GRM31M4C2H2R0CY21L (GRM42-6 CK)	[B]	
C309	4030011020	S.CER GRM31M4C2H1R0CY21L (GRM42-6 CK)	[N]	T 27.6/71.2
	4030011020	S.CER GRM31M4C2H1R0CY21L (GRM42-6 CK)	[A]	
C309	4030017460	S.CER ECJ0EB1E102K	T	71.4/76.6
C310	4030017420	S.CER ECJ0EC1H470J	T	43.9/76.6
C311	4030017460	S.CER ECJ0EB1E102K	T	45/76.6
C312	4030017730	S.CER ECJ0EB1E471K	T	46.1/76.6
C313	4510008680	S.ELE EEE1EA220SP	T	51.8/83
C314	4030017420	S.CER ECJ0EC1H470J	B	33.4/66.3
C315	4030017460	S.CER ECJ0EB1E102K	B	57.6/63.6

[MAIN UNIT] (For IC-F6060 series)

REF NO.	PARTS NO.	DESCRIPTION	M.	H/V LOCATION
C322	4030017350	S.CER ECJ0EC1H020B	[A]	B 21.2/51.2
	4030017350	S.CER ECJ0EC1H020B	[M]	
	4030017350	S.CER ECJ0EC1H0R5B	[B]	
	4030017350	S.CER ECJ0EC1H0R5B	[N]	
C324	4030017420	S.CER ECJ0EC1H470J	T	90.1/41.7
C325	4030017460	S.CER ECJ0EB1E102K	B	73.2/67.6
C326	4030017420	S.CER ECJ0EC1H470J	B	40.5/67.3
C327	4030017460	S.CER ECJ0EB1E102K	B	83.9/79.3
C328	4030017420	S.CER ECJ0EC1H470J	B	82.9/79.3
C329	4030017400	S.CER ECJ0EC1H220J	B	81.9/79.3
C330	4510008540	S.ELE EEE1CA100SR	T	96.7/53.9
C331	4510008540	S.ELE EEE1CA100SR	T	60.6/55.1
C332	4030017780	S.CER ECJ0EB1E472K	B	53.5/66.1
C334	4030017460	S.CER ECJ0EB1E102K	B	50.8/70.2
C335	4030017460	S.CER ECJ0EB1E102K	B	48.7/69.4
C336	4030011030	S.CER GRM31M4C2H1R5CY21L (GRM42-6 CK)	[M]	T 14.3/56.9
C337	4030017600	S.CER ECJ0EC1H080C	[A]	B 28.2/53.7
	4030017600	S.CER ECJ0EC1H080C	[M]	
	4030017600	S.CER ECJ0EC1H080C	[J]	
	4030017380	S.CER ECJ0EC1H050B	[B]	
	4030017380	S.CER ECJ0EC1H050B	[N]	
C338	4510008540	S.ELE EEE1CA100SR	T	79.1/69.1
C339	4030017460	S.CER ECJ0EB1E102K	T	79.1/62.1
C340	4030017460	S.CER ECJ0EB1E102K	T	63.5/55.5
C341	4030016790	S.CER ECJ0EB1C103K	T	68.1/52.3
C342	4030017200	S.CER GRM31BR32J102KY01L (GHM1030 R)	T	26.8/61.7
C343	4030011050	S.CER GRM31M3C2H3R0CY21L (GRM42-6 CJ)	[A]	T 23/63.3
	4030011050	S.CER GRM31M3C2H3R0CY21L (GRM42-6 CJ)	[M]	
	4030011050	S.CER GRM31M3C2H3R0CY21L (GRM42-6 CJ)	[J]	
C344	4030011040	S.CER GRM31M4C2H2R0CY21L (GRM42-6 CK)	[B]	B 11.5/48.6
	4030011040	S.CER GRM31M4C2H2R0CY21L (GRM42-6 CK)	[N]	
	4030011050	S.CER GRM31M3C2H3R0CY21L (GRM42-6 CJ)	T	
C345	4030011050	S.CER GRM31M3C2H3R0CY21L (GRM42-6 CJ)	[A]	T 18.3/58.5
	4030011060	S.CER GRM31M2C2H4R0CY21L (GRM42-6 CH)	[M]	
	4030011060	S.CER GRM31M2C2H4R0CY21L (GRM42-6 CH)	[J]	
C346	4030011050	S.CER GRM31M3C2H3R0CY21L (GRM42-6 CJ)	[B]	B 36.1/24.2
	4030011050	S.CER GRM31M3C2H3R0CY21L (GRM42-6 CJ)	[N]	
	4030011070	S.CER GRM31M2C2H5R0CY21L (GRM42-6 CH)	T	
C347	4030017520	S.CER ECJ0EC1H0R3B	B	34.3/58.3
C348	4030017460	S.CER ECJ0EB1E102K	B	33.7/61.7
C349	4030011060	S.CER GRM31M2C2H4R0CY21L (GRM42-6 CH)	T	39.7/61.7
C350	4030011070	S.CER GRM31M2C2H5R0CY21L (GRM42-6 CH)	[A]	T 12.9/65.2
	4030011060	S.CER GRM31M2C2H4R0CY21L (GRM42-6 CH)	[M]	
	4030011060	S.CER GRM31M2C2H4R0CY21L (GRM42-6 CH)	[J]	
	4030011050	S.CER GRM31M3C2H3R0CY21L (GRM42-6 CJ)	[B]	
	4030011050	S.CER GRM31M3C2H3R0CY21L (GRM42-6 CJ)	[N]	
C351	4030016930	S.CER ECJ0EB1A104K	T	110.8/66.5
C352	4030017460	S.CER ECJ0EB1E102K	B	124.6/59.7
C353	4550006250	S.TAN TEESVA 1A 106M8R	B	124/61.1
C354	4550006250	S.TAN TEESVA 1A 106M8R	B	112.9/61.7
C355	4030017420	S.CER ECJ0EC1H470J	B	112.6/60.1
C356	4030011070	S.CER GRM31M2C2H5R0CY21L (GRM42-6 CH)	[A]	T 15.7/65.2
4030011070	S.CER GRM31M2C2H5R0CY21L (GRM42-6 CH)	[M]		
4030011070	S.CER GRM31M2C2H5R0CY21L (GRM42-6 CH)	[J]		
4030011060	S.CER GRM31M2C2H4R0CY21L (GRM42-6 CH)	[B]		
4030011060	S.CER GRM31M2C2H4R0CY21L (GRM42-6 CH)	[N]		
C357	4030011060	S.CER GRM31M2C2H4R0CY21L (GRM42-6 CH)	[A]	T 4.2/63.3
	4030011060	S.CER GRM31M2C2H4R0CY21L (GRM42-6 CH)	[M]	
	4030011060	S.CER GRM31M2C2H4R0CY21L (GRM42-6 CH)	[J]	
	4030011030	S.CER GRM31M4C2H1R5CY21L (GRM42-6 CK)	[B]	
	4030011030	S.CER GRM31M4C2H1R5CY21L (GRM42-6 CK)	[N]	
C358	4030009530	S.CER C1608 CH 1H 030B-T	B	10.7/61.4
C359	4030006860	S.CER C1608 JB 1H 102K-T	B	9.9/59.5
C360	4030017460	S.CER ECJ0EB1E102K	B	8.7/54
C361	4030017460	S.CER ECJ0EB1E102K	T	101.3/52.9
C362	4030017460	S.CER ECJ0EB1E102K	T	106.3/21.1
C363	4510008540	S.ELE EEE1CA100SR	T	139.1/31.9
C365	4550007650	S.TAN F931V105MAABMA	B	107.7/65.1
C366	4550007650	S.TAN F931V105MAABMA	B	105.6/65.1
C367	4550007650	S.TAN F931V105MAABMA	B	103.5/65.1
C368	4550007650	S.TAN F931V105MAABMA	B	101.4/65.1

[MAIN UNIT] (For IC-F6060 series)

REF NO.	PARTS NO.	DESCRIPTION	M.	H/V LOCATION
C369	4030011070	S.CER GRM31M2C2H5R0CY21L (GRM42-6 CH)	T	15.3/81.1
C370	4030011050	S.CER GRM31M3C2H3R0CY21L (GRM42-6 CJ)	[A]	T 5.3/81.1
	4030011060	S.CER GRM31M2C2H4R0CY21L (GRM42-6 CH)	[M]	
C371	4030011060	S.CER GRM31M2C2H4R0CY21L (GRM42-6 CH)	[J]	T 105.1/80.9
	4030011040	S.CER GRM31M4C2H2R0CY21L (GRM42-6 CK)	[B]	
C372	4030017460	S.CER GRM31M4C2H2R0CY21L (GRM42-6 CK)	[N]	B 2.9/80.8
	4030006860	S.CER ECJ0EB1E102K	B	
C373	4030016790	S.CER C1608 JB 1H 102K-T	B	8.3/79.6
C374	4030016930	S.CER ECJ0EB1C103K	B	130.6/51.7
C375	4030016930	S.CER ECJ0EB1A104K	B	132.8/51.3
C376	4030016930	S.CER ECJ0EB1A104K	B	132.4/54.6
C377	4030017460	S.CER ECJ0EB1E102K	T	104.7/52.9
C378	4030017460	S.CER ECJ0EB1E102K	T	105.1/80.9
C379	4030016930	S.CER ECJ0EB1A104K	B	110.5/84.5
C380	4030017460	S.CER ECJ0EB1E102K	T	120.9/85.3
C381	4030016790	S.CER ECJ0EB1C103K	B	135.9/70.5
C382	4510008680	S.ELE EEE1EA220SP	T	68.6/63.4
C383	4030017460	S.CER ECJ0EB1E102K	B	135.9/71.5
C384	4510008870	S.ELE EEE1AA471UP	T	129.9/64.9
C386	4030016930	S.CER ECJ0EB1A104K	B	138.8/53.7
C387	4030017730	S.CER ECJ0EB1E471K	B	135.4/51.3
C388	4030018860	S.CER ECJ0EB0J105K	B	138.7/52.2
C389	4030016930	S.CER ECJ0EB1A104K	B	139.1/48.5
C390	4030016930	S.CER ECJ0EB1A104K	B	137.8/55.4
C391	4030016930	S.CER ECJ0EB1A104K	T	107.6/80
C392	4030017460	S.CER ECJ0EB1E102K	B	127.8/76.8
C393	4030017460	S.CER ECJ0EB1E102K	B	98.3/79.2
C394	4030017420	S.CER ECJ0EC1H470J	B	115.4/68
C395	4030017460	S.CER ECJ0EB1E102K	B	126.5/77.2
C397	4030017460	S.CER ECJ0EB1E102K	B	100.8/86.3
C398	4030017420	S.CER ECJ0EC1H470J	B	99.8/86.3
C399	4030018860	S.CER ECJ0EB0J105K	B	134.5/34.8
C400	4030016930	S.CER ECJ0EB1A104K	B	136.9/37
C411	4510008780	S.ELE EEE1EA471P	T	117.2/63.6
C412	4510008780	S.ELE EEE1EA471P	T	132.7/54.3
C413	4030018900	S.CER ECJ0EB0J474K	B	135.1/46.8
C414	4510008540	S.ELE EEE1CA100SR	T	113.9/50.1
C415	4030016930	S.CER ECJ0EB1A104K	B	103/23.8
C416	4030016930	S.CER ECJ0EB1A104K	B	121/51.5
C417	4030016790	S.CER ECJ0EB1C103K	B	113.8/51.7
C418	4030017460	S.CER ECJ0EB1E102K	B	102.3/57.9
C419	4030016790	S.CER ECJ0EB1C103K	T	42.5/39.1
C420	4030017500	S.CER ECJ0EC1H560J	T	39.8/37.2
C421	4030016930	S.CER ECJ0EB1A104K	B	36.1/24.2
C422	4030016790	S.CER ECJ0EB1C103K	T	42.9/33
C423	4030007080	S.CER C1608 CH 1H 390J-T	T	33.6/38.9
C424	4030016930	S.CER ECJ0EB1A104K	T	33.6/41.2
C425	4030017460	S.CER ECJ0EB1E102K	B	134.8/66.1
C426	4030011030	S.CER GRM31M4C2H1R5CY21L (GRM42-6 CK)	[A]	T 29.2/75.2
4030011020	S.CER GRM31M4C2H1R5CY21L (GRM42-6 CK)	[M]		
C427	4030011020	S.CER GRM31M4C2H1R5CY21L (GRM42-6 CK)	[J]	B 19.5/36.6
	4030011020	S.CER GRM31M4C2H1R5CY21L (GRM42-6 CK)	[B]	
C428	4030017530	S.CER ECJ0EC1H0R5B	[N]	B 24.6/10.2
	4030017530	S.CER ECJ0EC1H0R5B	[A]	
	4030017530	S.CER ECJ0EC1H0R5B	[M]	
	4030017340	S.CER ECJ0EC1H010B	[J]	
	4030017340	S.CER ECJ0EC1H010B	[B]	
	4030017340	S.CER ECJ0EC1H010B	[N]	
	4030018110	S.CER ECJ0EB1H272K	T	
C429	4030016790	S.CER ECJ0EB1C103K	B	138.4/51
C430	4030018860	S.CER ECJ0EB0J105K	B	110.4/10.7
C431	4030017460	S.CER ECJ0EB1E102K	B	114.2/11.7
C432	4030017420	S.CER ECJ0EC1H470J	B	119.4/69.8
C433	4030017460	S.CER ECJ0EB1E102K	B	119.4/70.8
C435	4030016930	S.CER ECJ0EB1A104K	T	8.9/7.8
C436	4030016930	S.CER ECJ0EB1A104K	B	56/38.5
J1	6510026770	S.CON AXK540147YG	T	124.5/9.7
J2	6510026770	S.CON AXK540147YG	T	101.5/9.7
J3	6510021301	S.CON 52365-1071	T	90.3/62.6
J5	6510023092	S.CON 20FLT-SM2-TB(LF)(SN)(M)	T	108.3/83.2
J7	6450000140	CON HSJ0807-01-010	T	
J10	6510023092	S.CON 20FLT-SM2-TB(LF)(SN)(M)	T	71/7
W1	7120000470	JUM ERDS270		
W2	8900016250	CAB OPC-1701 <CMI>T/H!		
EP2	6910015370	S.BEA ACZ1005Y-102-T	B	60.4/28.3
EP3	6910015370	S.BEA ACZ1005Y-102-T	T	85.7/30
EP6	6910015370	S.BEA ACZ1005Y-102-T	T	79.6/41.5

M.=Mounted side (T: Mounted on the Top side, B: Mounted on the Bottom side)
S.=Surface mount

[MAIN-A UNIT] (For MDC compatible versions)

REF NO.	PARTS NO.	DESCRIPTION	M.	H/V LOCATION
IC1	1110005340	S.IC NJM12902V-TE1-#ZZZB	T	82.3/12.9
IC2	1110006221	S.IC AK2346P-E2/P	B	44.7/11.7
IC3	1140013200	S.IC CD4053BPWR	B	58.7/9.3
IC4	1130010100	S.IC LMX2352TMX/NOBP	T	83.3/46
IC5	1110003491	S.IC TA31136FNG(D,EL)	T	28/13.9
IC6	1190001350	S.IC M62364FP 600D	B	84.9/12.9
IC7	1110005340	S.IC NJM12902V-TE1-#ZZZB	T	107.3/43
IC8	1140013200	S.IC CD4053BPWR	B	58.7/16.1
IC9	1130012960	S.IC BU8872FS-E2	B	133.1/21.3
IC10	1190002051	S.IC SPM5001-TL-E	B	33.8/36.9
IC12	1190001340	S.IC M62334FP 600C	B	9.1/25.7
IC13	1110005771	S.IC S-80942CNMC-G9CT2G	B	126/44.8
IC14	1140014550	S.IC HD64F2506RFC26DV(EMPTY)	B	111.8/35.7
IC15	1150002211	IC RA55H4047M-121 [C]		
	1150002092	IC RA30H4047M-121 [O]		
	1150002092	IC RA30H4047M-121 [L]		
	1150002221	IC RA55H4452M-121 [D]		
	1150002032	IC RA30H4452M-121 [P]		
	1150002211	IC RA55H4047M-121 [E]		
	1150002211	IC RA55H4047M-121 [F]		
	1150002211	IC RA55H4047M-121 [G]		
	1150002092	IC RA30H4047M-121 [L]		
	1150002211	IC RA55H4047M-121 [I]		
	1150002221	IC RA55H4452M-121 [H]		
IC16	1140014160	S.IC 24LC1025T-I/SM	B	133.3/29
IC17	1110002751	S.IC TA75S01F(TE85R,F)	B	55.8/66.7
IC18	1180000970	S.IC AN78L05M-(E1)	B	113/65.3
IC19	1120002510	S.IC DS14C232T S	T	104.7/69
IC20	1180001251	S.IC TA7808F(TE16L,Q)	B	121.5/65.8
IC21	1110003091	IC LA4425A-E		
IC22	1110002751	S.IC TA75S01F(TE85R,F)	B	135.5/54.4
IC23	1130006221	S.IC TC4W53FU(TE12L,F)	B	109.6/12.9
IC25	1110006230	S.IC NJM2711F-TE1-#ZZZB	B	30.1/7.1
Q1	1590003231	S.TRA UNR9113G0L	B	16.5/6.1
Q3	1530002851	S.TRA 2SC4116-BL(TE85R,F)	B	36.5/15.5
Q4	1590001650	S.TRA XP4601(TX)	B	92.8/12.4
Q5	1560000541	S.FET 2SK880-Y(T5RICOM,F)	B	81.3/41
Q6	1530002851	S.TRA 2SC4116-BL(TE85R,F)	B	50.6/28.4
Q7	1560000541	S.FET 2SK880-Y(T5RICOM,F)	B	82.4/30.6
Q8	1530002851	S.TRA 2SC4116-BL(TE85R,F)	B	79.3/37.8
Q9	1530002851	S.TRA 2SC4116-BL(TE85R,F)	B	82.1/35.4
Q10	1560001360	S.FET 2SK3019 TL	B	76.5/45.2
Q12	1530002601	S.TRA 2SC4215-O(TE85R,F)	T	26.8/19.2
Q16	1590003291	S.TRA UNR9213G0L	T	113.1/46.6
Q17	1530002920	S.TRA 2SC4226-T1 R25	T	61.1/42.8
Q18	1530002920	S.TRA 2SC4226-T1 R25	T	61.1/36.3
Q19	1530002920	S.TRA 2SC4226-T1 R25	T	60.7/28.9
Q20	1590003231	S.TRA UNR9113G0L	B	34.1/24.9
Q22	1530003311	S.TRA 2SC5107-O(TE85R,F)	T	56.7/33.6
Q23	1590001400	S.TRA XP1214(TX)	B	57.6/40.5
Q24	1590003291	S.TRA UNR9213G0L	B	55/40.5
Q25	1530004110	S.TRA MT3S37T(TE85L,F)	T	55.2/36.9
Q26	1590001400	S.TRA XP1214(TX)	B	56.6/33.5
Q27	1590003231	S.TRA UNR9113G0L	T	126.2/48.7
Q28	1590003291	S.TRA UNR9213G0L	B	123/46.1
Q29	1530003311	S.TRA 2SC5107-O(TE85R,F)	T	50.8/35.5
Q30	1530003311	S.TRA 2SC5107-O(TE85R,F)	B	64.3/62.9
Q31	1580000731	S.FET 3SK293(TE85L,F)	B	9.5/38.8
Q32	1560000841	S.FET 2SK1829(TE85R,F)	T	9.8/40.4
Q33	1530002851	S.TRA 2SC4116-BL(TE85R,F)	[C]	47.3/66.2
	1530002851	S.TRA 2SC4116-BL(TE85R,F)	[D]	
	1530002851	S.TRA 2SC4116-BL(TE85R,F)	[E]	
	1530002851	S.TRA 2SC4116-BL(TE85R,F)	[F]	
	1530002851	S.TRA 2SC4116-BL(TE85R,F)	[G]	
	1530002851	S.TRA 2SC4116-BL(TE85R,F)	[H]	
Q34	1590003291	S.TRA UNR9213G0L	T	83/67.4
Q35	1520000460	S.TRA 2SB1132 T100 R	T	100.1/57.9
Q36	1590001190	S.TRA XP6501-(TX).AB	T	104.3/55.8
Q37	1540000550	S.TRA 2SD1664 T100Q	T	75.5/63.6
Q38	1510000920	S.TRA 2SA1577 T106 Q	T	64.9/54.1
Q39	1590003291	S.TRA UNR9213G0L	T	68.5/54.8
Q40	1590003291	S.TRA UNR9213G0L	T	103/52.9
Q41	1590001451	S.FET 2SJ144-GR (TE85R,F)	B	114.7/85.7
Q42	1590003291	S.TRA UNR9213G0L	B	131.7/43.6
Q43	1590000990	S.TRA DTC363EK T146	B	135.7/49
Q44	1590003291	S.TRA UNR9213G0L	T	108.9/20.3
Q45	1590003291	S.TRA UNR9213G0L	B	133.3/58.9
Q46	1590003291	S.TRA UNR9213G0L	T	119.2/85.6
Q47	1550000100	S.FET 2SJ377 (TE16L1,NQ)	B	131.3/71.5
Q48	1590003291	S.TRA UNR9213G0L	B	127.4/77.8
Q49	1530002851	S.TRA 2SC4116-BL(TE85R,F)	B	138.7/37.1
Q50	1530002601	S.TRA 2SC4215-O(TE85R,F)	T	40.2/39
Q51	1590003321	S.FET TPC6103(TE85L,F)	B	133.6/63.4
Q52	1590003291	S.TRA UNR9213G0L	B	128.2/61.1
Q53	1530000372	S.TRA 2SC3356-T1B R (R24)	B	68.4/68
Q54	1590003291	S.TRA UNR9213G0L	B	51.9/67.1
Q55	1560001360	S.FET 2SK3019 TL	T	74.1/20.3
Q56	1560001360	S.FET 2SK3019 TL	T	24.7/7.2
Q57	1590003291	S.TRA UNR9213G0L	T	111.1/13.4
Q58	1530002851	S.TRA 2SC4116-BL(TE85R,F)	B	27/10.8
Q59	1590003291	S.TRA UNR9213G0L	B	96.1/10
Q60	1590003291	S.TRA UNR9213G0L	B	96.1/12.3
D1	1750001070	S.DIO DAN235ETL	T	8.8/14.9
D2	1750001070	S.DIO DAN235ETL	T	22.5/7.7
D4	1790001261	S.DIO MA2S077G0L	T	52.5/43.6
D5	1790001261	S.DIO MA2S077G0L	T	52.5/41
D6	1750001070	S.DIO DAN235ETL	T	29.2/20.9
D7	1160000140	S.DIO DAP222 TL	T	59/13.8
D8	1750000711	S.VAR HVC350BTRF-E	T	68.2/42.7
D9	1750001150	S.VAR HVC383BTRF-E	T	70.5/44.7

[MAIN-A UNIT] (For MDC compatible versions)

REF NO.	PARTS NO.	DESCRIPTION	M.	H/V LOCATION
D10	1750000711	S.VAR HVC350BTRF-E	T	68.2/36.2
D11	1750001150	S.VAR HVC383BTRF-E	T	70.5/38.2
D12	1750000711	S.VAR HVC350BTRF-E	T	68.2/29.7
D13	1750001150	S.VAR HVC383BTRF-E	T	70.5/31.7
D14	1720000570	S.VAR MA368(TX)	T	65.8/33.7
D15	1750000711	S.VAR HVC350BTRF-E	B	5.5/43.5
D16	1750000711	S.VAR HVC350BTRF-E	B	6.8/43.5
D17	1750000711	S.VAR HVC350BTRF-E	B	6.8/50.1
D18	1750000711	S.VAR HVC350BTRF-E	B	5.5/50.1
D19	1160000140	S.DIO DAP222 TL	B	120.3/17.6
D21	1750001070	S.DIO DAN235ETL	T	31.9/37.5
D22	1750000520	S.DIO DAN222TL	T	125.4/51
D23	1790001261	S.DIO MA2S077G0L	T	125/38.9
D24	1750000581	S.DIO 1SV307(TPH3,F)	B	50.8/47.1
D25	1790001261	S.DIO MA2S077G0L	B	48.3/46
D26	1750000711	S.VAR HVC350BTRF-E	B	14.1/36.1
D27	1750000711	S.VAR HVC350BTRF-E	B	10.7/34.4
D30	1750000711	S.VAR HVC350BTRF-E	B	18.3/36.2
D31	1790001251	S.DIO MA2S1110GL	T	6.2/42.2
D35	1790001261	S.DIO MA2S077G0L	B	20/50.9
D36	1790001241	S.DIO MA2S7280GL	B	11.9/50.8
D37	1750000370	S.DIO DA221 TL	T	75.2/68
D38	1750000511	S.DIO UX9401F-STD/TR <INT> [O]	T	31.2/66.7
	1750000511	S.DIO UX9401F-STD/TR <INT> [L]		
	1750000511	S.DIO UX9401F-STD/TR <INT> [P]		
	1750000511	S.DIO UX9401F-STD/TR <INT> [L]		
D39	1710001061	DIO L407CDB [C]		
	1710001061	DIO L407CDB [E]		
	1710001061	DIO L407CDB [D]		
	1710001061	DIO L407CDB [F]		
	1710001061	DIO L407CDB [G]		
	1710001061	DIO L407CDB [I]		
	1710001061	DIO L407CDB [H]		
D42	1750001360	S.DIO L709CER (9401)	T	26.5/58
D45	1750000520	S.DIO DAN222TL	T	91.8/57.5
D46	1750000520	S.DIO DAN222TL	T	89.6/57.5
D47	1790001211	S.DIO 1SS375-TL-E	T	37.7/61.7
D48	1750000520	S.DIO DAN222TL	B	95.5/55.5
D49	1790000661	S.DIO MA2J7280GL	B	8.9/57.1
D50	1750000370	S.DIO DA221 TL	B	98.8/66.5
D51	1790000661	S.DIO MA2J7280GL	B	5.2/79.3
D52	1750000520	S.DIO DAN222TL	B	132.6/40.8
D53	1790001251	S.DIO MA2S1110GL	B	133.3/47.3
D55	1750000370	S.DIO DA221 TL	B	98.8/63
D56	1750000370	S.DIO DA221 TL	B	96.7/63
D57	1750000370	S.DIO DA221 TL	B	96.7/66.5
D58	1750000520	S.DIO DAN222TL	B	101.2/83.1
D59	1750000520	S.DIO DAN222TL	B	101.2/81
D62	1790000700	DIO DSA3A1		
D63	1750000520	S.DIO DAN222TL	B	112.3/82.2
D65	1750000520	S.DIO DAN222TL	B	129.7/58.9
D66	1790001621	S.DIO 1SV308(TPL3,F)	T	29.5/36.7
D67	1790001621	S.DIO 1SV308(TPL3,F)	T	34.3/36.7
D68	1790001621	S.DIO 1SV308(TPL3,F)	T	28.7/23.3
D69	1790001621	S.DIO 1SV308(TPL3,F)	T	30/23.3
D70	1730002411	S.ZEN MAZ8200GHL	T	120/83.6
D71	1750000520	S.DIO DAN222TL	B	94.8/62.3
D72	1750000520	S.DIO DAN222TL	B	94.8/59.1
F11	2020002500	CER LT450GW <JJE>		
F12	2020002510	CER LTW450HT <JJE>		
F13	2030000500	S.MON DSF753SFB 46.35 MHz (FL-401)	T	24.7/28.5
F14	2030000670	S.MON DSF753SFB 46.35 MHz (FL-420)	T	35.6/28.4
F15	2040001440	S.LC NFE31PT152Z1E9L (NFM60R20T152) B		94.5/77
F16	2040001440	S.LC NFE31PT152Z1E9L (NFM60R20T152) B		94.5/73.7
F17	2040001440	S.LC NFE31PT152Z1E9L (NFM60R20T152) [C] B		94.5/70.4
	2040001440	S.LC NFE31PT152Z1E9L (NFM60R20T152) [D]		
	2040001440	S.LC NFE31PT152Z1E9L (NFM60R20T152) [E]		
	2040001440	S.LC NFE31PT152Z1E9L (NFM60R20T152) [F]		
	2040001440	S.LC NFE31PT152Z1E9L (NFM60R20T152) [G]		
	2040001440	S.LC NFE31PT152Z1E9L (NFM60R20T152) [I]		
	2040001440	S.LC NFE31PT152Z1E9L (NFM60R20T152) [H]		
X1	6050012380	S.XTA CR-826 DSA535SD 15.3 MHz	T	86.1/34.6
X2	6050011730	S.XTA CR-765 SMD-49TA 3.6864 MHz <KDS>	T	48.6/12
X3	6070000300	S.DIS JTBM450CX24 <JJE>	T	37.1/10.3
X4	6050012320	S.XTA CR-818 SMD-49 A.194304 MHz <KDS>	T	139.1/21.9
X5	6050011720	S.XTA CR-764 SMD-49TB 19.6608 MHz <KDS>	T	120.4/44.4
L1	6200004660	S.COI MLF1608A 1R8K-T	B	80.7/52.1
L2	6200003540	S.COI MLF1608D R22K-T	B	34.4/14.7
L3	6200004480	S.COI MLF1608D R82K-T	B	29.6/16.2
L4	6200005671	S.COI ELJRE 12NGFA	T	54.4/43.9
L5	6200004741	S.COI NLV25T-1R2J	T	72.9/43.5
L6	6200004741	S.COI NLV25T-1R2J	T	70.4/41
L7	6200004741	S.COI NLV25T-1R2J	T	72.9/37
L8	6200004741	S.COI NLV25T-1R2J	T	72.9/30.5
L9	6200004741	S.COI NLV25T-1R2J	T	70.4/28

M.=Mounted side (T: Mounted on the Top side, B: Mounted on the Bottom side) S.=Surface mount

[MAIN-A UNIT] (For MDC compatible versions)

REF NO.	PARTS NO.	DESCRIPTION	M.	H/V LOCATION			
L10	6200013580	S.COI 0.30-0.9-4TR 5PER <COMO>	[C]	T 67.1/44.7			
	6200013580	S.COI 0.30-0.9-4TR 5PER <COMO>	[O]				
	6200013580	S.COI 0.30-0.9-4TR 5PER <COMO>	[E]				
	6200013580	S.COI 0.30-0.9-4TR 5PER <COMO>	[F]				
	6200013580	S.COI 0.30-0.9-4TR 5PER <COMO>	[G]				
	6200013580	S.COI 0.30-0.9-4TR 5PER <COMO>	[L]				
L12	6200013580	S.COI 0.30-0.9-4TR 5PER <COMO>	[C]	T 67.1/38.2			
	6200013580	S.COI 0.30-0.9-4TR 5PER <COMO>	[O]				
	6200013580	S.COI 0.30-0.9-4TR 5PER <COMO>	[L]				
	6200013580	S.COI 0.30-0.9-4TR 5PER <COMO>	[E]				
	6200013580	S.COI 0.30-0.9-4TR 5PER <COMO>	[F]				
	6200013580	S.COI 0.30-0.9-4TR 5PER <COMO>	[G]				
L13	620004741	S.COI NLV25T-1R2J	[C]	T 70.4/34.5			
L15	6200012390	S.COI 0.30-0.92-3TR 5.8N <COMO>	[O]	T 67.1/31.4			
L16	6200010030	S.COI C2012C-15NG-A	[C]	B 21.1/35.6			
	6200010030	S.COI C2012C-15NG-A	[O]				
	6200010030	S.COI C2012C-15NG-A	[D]				
	6200010020	S.COI C2012C-12NG-A	[L]				
	6200010020	S.COI C2012C-12NG-A	[P]				
	6200010030	S.COI C2012C-15NG-A	[E]				
	6200010030	S.COI C2012C-15NG-A	[F]				
	6200010030	S.COI C2012C-15NG-A	[G]				
	6200010030	S.COI C2012C-15NG-A	[L]				
	6200010030	S.COI C2012C-15NG-A	[H]				
	6200010020	S.COI C2012C-12NG-A	[I]				
	6200004741	S.COI NLV25T-1R2J	[C]		T 57.7/30		
	6200004741	S.COI NLV25T-1R2J	[O]				
	6200004741	S.COI NLV25T-1R2J	[L]				
	6200002851	S.COI NLV25T-R82J	[D]		B 39/36.2		
6200002851	S.COI NLV25T-R82J	[P]					
6200004741	S.COI NLV25T-1R2J	[E]					
6200004741	S.COI NLV25T-1R2J	[F]					
6200004741	S.COI NLV25T-1R2J	[G]					
6200004741	S.COI NLV25T-1R2J	[H]					
L18	6130003000	S.COI #617DB-1714=P3	[B]	T 34.5/42.6			
L19	6130003000	S.COI #617DB-1714=P3	[B]	T 54.2/32.6			
L20	6200005721	S.COI ELJRE 33NGFA	[T]	B 40.2/46			
L21	6200005671	S.COI ELJRE 12NGFA	[T]				
L22	6200005711	S.COI ELJRE 27NGFA	[C]				
6200005711	S.COI ELJRE 27NGFA	[O]					
6200005711	S.COI ELJRE 27NGFA	[D]					
6200005691	S.COI ELJRE 18NGFA	[L]					
6200005691	S.COI ELJRE 18NGFA	[P]					
6200005711	S.COI ELJRE 27NGFA	[E]					
6200005711	S.COI ELJRE 27NGFA	[F]					
6200005711	S.COI ELJRE 27NGFA	[G]					
6200005711	S.COI ELJRE 27NGFA	[L]					
6200005691	S.COI ELJRE 18NGFA	[H]					
L23	6200005711	S.COI ELJRE 27NGFA	[C]	B 42.9/46			
	6200005711	S.COI ELJRE 27NGFA	[O]				
	6200005691	S.COI ELJRE 18NGFA	[D]				
	6200005691	S.COI ELJRE 18NGFA	[P]				
	6200005711	S.COI ELJRE 27NGFA	[E]				
	6200005711	S.COI ELJRE 27NGFA	[F]				
	6200005711	S.COI ELJRE 27NGFA	[G]				
	6200005711	S.COI ELJRE 27NGFA	[L]				
	6200005691	S.COI ELJRE 18NGFA	[H]				
	6130003000	S.COI #617DB-1714=P3	[B]		B 27/36.2		
	L24	6200005711	S.COI ELJRE 27NGFA			[O]	
	L25	6200005711	S.COI ELJRE 27NGFA			[D]	
L26	6200010030	S.COI C2012C-15NG-A	[C]	B 15.9/35.6			
	6200010030	S.COI C2012C-15NG-A	[O]				
	6200010030	S.COI C2012C-15NG-A	[D]				
	6200010020	S.COI C2012C-12NG-A	[L]				
	6200010020	S.COI C2012C-12NG-A	[P]				
	6200010030	S.COI C2012C-15NG-A	[E]				
	6200010030	S.COI C2012C-15NG-A	[F]				
	6200010030	S.COI C2012C-15NG-A	[G]				
	6200010030	S.COI C2012C-15NG-A	[L]				
	6200010030	S.COI C2012C-15NG-A	[H]				
	6200010020	S.COI C2012C-12NG-A	[I]				
	L27	6200005711	S.COI ELJRE 27NGFA		[C]	B 65.2/65.4	
		L28	6200010030		S.COI C2012C-15NG-A		[O]
		6200010030	S.COI C2012C-15NG-A		[D]		
		6200010020	S.COI C2012C-12NG-A		[L]		
6200010020		S.COI C2012C-12NG-A	[P]				
6200010030		S.COI C2012C-15NG-A	[E]				
6200010030		S.COI C2012C-15NG-A	[F]				
6200010030		S.COI C2012C-15NG-A	[G]				
6200010030		S.COI C2012C-15NG-A	[L]				
6200010030		S.COI C2012C-15NG-A	[H]				
6200010020		S.COI C2012C-12NG-A	[I]				
L29		6200005641	S.COI ELJRE 6N8ZFA	[B]	B 73.5/69		
		L30	6200005691	S.COI ELJRE 18NGFA			[C]
		6200005701	S.COI ELJRE 22NGFA	[O]			
		6200005701	S.COI ELJRE 22NGFA	[D]			
	6200005691	S.COI ELJRE 18NGFA	[L]				
	6200005691	S.COI ELJRE 18NGFA	[P]				
	6200005691	S.COI ELJRE 18NGFA	[E]				
	6200005691	S.COI ELJRE 18NGFA	[F]				
	6200005691	S.COI ELJRE 18NGFA	[G]				
	6200005701	S.COI ELJRE 22NGFA	[L]				
	6200005691	S.COI ELJRE 18NGFA	[H]				
	6200005691	S.COI ELJRE 18NGFA	[I]				

[MAIN-A UNIT] (For MDC compatible versions)

REF NO.	PARTS NO.	DESCRIPTION	M.	H/V LOCATION		
L31	6200010210	S.COI C2012C-22NG-A	[C]	B 9.2/44.8		
	6200010210	S.COI C2012C-22NG-A	[O]			
	6200010210	S.COI C2012C-22NG-A	[L]			
	6200009980	S.COI C2012C-18NG-A	[D]			
	6200009980	S.COI C2012C-18NG-A	[P]			
	6200010210	S.COI C2012C-22NG-A	[E]			
L32	6200010210	S.COI C2012C-22NG-A	[F]	B 9.2/48.8		
	6200010210	S.COI C2012C-22NG-A	[G]			
	6200010210	S.COI C2012C-22NG-A	[L]			
	6200010210	S.COI C2012C-22NG-A	[H]			
	6200009980	S.COI C2012C-18NG-A	[I]			
	6200010210	S.COI C2012C-22NG-A	[C]			
	6200010210	S.COI C2012C-22NG-A	[O]			
	6200010210	S.COI C2012C-22NG-A	[L]			
	6200009980	S.COI C2012C-18NG-A	[D]			
	6200009980	S.COI C2012C-18NG-A	[P]			
	6200010210	S.COI C2012C-22NG-A	[E]			
	6200010210	S.COI C2012C-22NG-A	[F]			
	6200010210	S.COI C2012C-22NG-A	[G]			
	6200009980	S.COI C2012C-18NG-A	[H]			
	L33	6200010150	S.COI AS080340-15N		[T]	32.6/75.2
L34	6200010100	S.COI C2012C-33NG-A	[B]			
L35	6200005691	S.COI ELJRE 18NGFA	[O]			
L36	6200005691	S.COI ELJRE 18NGFA	[C]	B 23/50.7		
	6200005691	S.COI ELJRE 18NGFA	[L]			
	6200006771	S.COI ELJRE 1N5ZFA	[D]			
	6200006771	S.COI ELJRE 1N5ZFA	[P]			
	6200005691	S.COI ELJRE 18NGFA	[E]			
	6200005691	S.COI ELJRE 18NGFA	[F]			
	6200005691	S.COI ELJRE 18NGFA	[G]			
	6200005691	S.COI ELJRE 18NGFA	[H]			
	L37	6200006771	S.COI ELJRE 1N5ZFA		[I]	
	L38	6200010150	S.COI AS080340-15N		[T]	31.2/68
	L39	6200010150	S.COI AS080340-15N		[T]	
	L40	6200010150	S.COI AS080340-15N		[T]	
L41	6200002861	S.COI NLV25T-4R7J	[T]	11.3/55.1		
L42	6200005011	S.COI NLV25T-100J	[T]			
L43	6200010680	S.COI C2520C-R22G-A (0.22U)	[T]			
L44	6200010740	S.COI C2520C-R27G-A	[T]	40.1/41.6		
L45	6200010150	S.COI AS080340-15N	[T]			
L46	6200005711	S.COI ELJRE 27NGFA	[T]			
L47	6200012390	S.COI 0.30-0.92-3TR 5.8N <COMO>	[D]	65.1/44.7		
	6200012390	S.COI 0.30-0.92-3TR 5.8N <COMO>	[P]			
	6200012390	S.COI 0.30-0.92-3TR 5.8N <COMO>	[H]			
	6200012390	S.COI 0.30-0.92-3TR 5.8N <COMO>	[D]			
	6200012390	S.COI 0.30-0.92-3TR 5.8N <COMO>	[P]			
	6200012390	S.COI 0.30-0.92-3TR 5.8N <COMO>	[H]			
L48	6200012390	S.COI 0.30-0.92-3TR 5.8N <COMO>	[H]	T 65.1/38.2		
L49	6200004480	S.COI MLF1608R R82K-T	[S]	T 23.3/19.4		
R1	7030005060	S.RES ERJ2GEJ 333 X (33K)	[B]	38.6/6		
R2	7510001730	S.THE ERTJOEP 473J	[T]	89.3/32.2		
R3	7030005050	S.RES ERJ2GEJ 103 X (10K)	[T]	78.5/11.6		
R4	7030005230	S.RES ERJ2GEJ 334 X (330K)	[B]	88.8/18.5		
R5	7030005090	S.RES ERJ2GEJ 104 X (100K)	[T]	89.8/33.5		
R6	7030005700	S.RES ERJ2GEJ 274 X (270K)	[T]	87.7/19.4		
R7	7030005230	S.RES ERJ2GEJ 334 X (330K)	[T]	84.3/17.5		
R8	7410001130	S.ARR EXB28V102JX	[T]	86.9/52.4		
R9	7030007570	S.RES ERJ2GEJ 122 X (1.2K)	[B]	35.4/11.4		
R10	7030007060	S.RES ERJ2GEJ 684X (680K)	[B]	35.8/13.7		
R11	7030010040	S.RES ERJ2GEJ-JPW	[T]	9.3/12.9		
R12	7030004970	S.RES ERJ2GEJ 470 X (47K)	[T]	34.1/6.4		
R13	7030007340	S.RES ERJ2GEJ 153 X (15K)	[T]	8.9/16.5		
R14	7030007340	S.RES ERJ2GEJ 153 X (15K)	[T]	9.3/9.3		
R15	7030005070	S.RES ERJ2GEJ 683 X (68K)	[B]	93.3/14.4		
R17	7030007570	S.RES ERJ2GEJ 122 X (1.2K)	[B]	93.3/15.3		
R18	7030008300	S.RES ERJ2GEJ 184 X (180K)	[B]	81.5/7.3		
R19	7030005230	S.RES ERJ2GEJ 334 X (330K)	[T]	86.3/9.9		
R20	7030005090	S.RES ERJ2GEJ 104 X (100K)	[T]	77.9/8.2		
R21	7030005070	S.RES ERJ2GEJ 683 X (68K)	[T]	88.5/8.9		
R22	7030005050	S.RES ERJ2GEJ 103 X (10K)	[B]	38.6/7.7		
R23	7030005050	S.RES ERJ2GEJ 103 X (10K)	[B]	38.6/9.4		
R24	7030005060	S.RES ERJ2GEJ 333 X (33K)	[B]	37.7/10.7		
R25	7030005120	S.RES ERJ2GEJ 102 X (1K)	[B]	101.5/1.6		
R26	7030004980	S.RES ERJ2GEJ 101 X (100)	[B]	96/5.4		
R27	7030007300	S.RES ERJ2GEJ 332 X (3.3K)	[T]	53.9/5.6		
R28	7030010040	S.RES ERJ2GEJ-JPW	[T]	59.6/5.4		
R29	7030005530	S.RES ERJ2GEJ 100 X (10)	[T]	114.5/10.2		
R30	7030005170	S.RES ERJ2GEJ 474 X (470K)	[B]	37.7/9.4		
R31	7030008410	S.RES ERJ2GEJ 392 X (3.9K)	[B]	36.8/9		
R32	7030007340	S.RES ERJ2GEJ 153 X (15K)	[B]	37.7/7.7		
R33	7030005160	S.RES ERJ2GEJ 105 X (1M)	[T]	81/8.4		
R34	7030005040	S.RES ERJ2GEJ 472 X (4.7K)	[T]	79/10		
R35	7030005120	S.RES ERJ2GEJ 102 X (1K)	[T]	81.5/7.2		
R36	7030007270	S.RES ERJ2GEJ 151 X (150)	[B]	25.8/14.4		
R37	7030005210	S.RES ERJ2GEJ 822 X (8.2K)	[B]	15.7/3		
R38	7030007340	S.RES ERJ2GEJ 153 X (15K)	[T]	22.9/5.7		
R39	7030007340	S.RES ERJ2GEJ 153 X (15K)	[T]	22.3/9.3		
R40	7030005240	S.RES ERJ2GEJ 473 X (47K)	[T]	26.9/10.6		
R41	7030007290	S.RES ERJ2GEJ 222 X (2.2K)	[T]	26.6/5.5		
R42	7030005090	S.RES ERJ2GEJ 104 X (100K)	[B]	94.6/11.8		
R43	7030007300	S.RES ERJ2GEJ 332 X (3.3K)	[B]	94.6/10		
R44	7030007340	S.RES ERJ2GEJ 153 X (15K)	[B]	90.8/12.9		
R45	7030005220	S.RES ERJ2GEJ 223 X (22K)	[B]	91.6/10		
R46	7030005040	S.RES ERJ2GEJ 472 X (4.7K)	[T]	90.5/13.7		
R47	7030005050	S.RES ERJ2GEJ 103 X (10K)	[T]	90.9/12.7		
R48	7030005060	S.RES ERJ2GEJ 333 X (33K)	[B]	51.1/8.1		
R49	7030005160	S.RES ERJ2GEJ 105 X (1M)	[B]	49.9/13.6		
R50	7030005090	S.RES ERJ2GEJ 104 X (100K)	[B]	49.9/11		
R51	7030005290	S.RES ERJ2GEJ 682 X (6.8K)	[T]	52.6/8.6		

M.=Mounted side (T: Mounted on the Top side, B: Mounted on the Bottom side)
S.=Surface mount

[MAIN-A UNIT] (For MDC compatible versions)

REF NO.	PARTS NO.	DESCRIPTION	M.	H/V LOCATION
R52	7030007340	S.RES ERJ2GEJ 153 X (15K)	B	63.3/12.6
R53	7030005000	S.RES ERJ2GEJ 471 X (470)	T	84.4/38.2
R54	7030005120	S.RES ERJ2GEJ 102 X (1K)	B	81.3/43.4
R55	7030007290	S.RES ERJ2GEJ 222 X (2.2K)	B	83.5/26.5
R56	7030004980	S.RES ERJ2GEJ 101 X (100)	B	81.6/39.8
R57	7030005090	S.RES ERJ2GEJ 104 X (100K)	B	28/14.3
R58	7030004980	S.RES ERJ2GEJ 101 X (100)	T	27/8.2
R59	7030008290	S.RES ERJ2GEJ 183 X (18K)	T	27/7.3
R60	7030005000	S.RES ERJ2GEJ 471 X (470)	T	30.9/9.7
R61	7030005040	S.RES ERJ2GEJ 472 X (4.7K)	T	28.4/8.5
R63	7030005220	S.RES ERJ2GEJ 223 X (22K)	B	91.6/8.3
R64	7030005220	S.RES ERJ2GEJ 223 X (22K)	B	91.6/6.6
R65	7030005090	S.RES ERJ2GEJ 104 X (100K)	B	51.1/9
R67	7030005290	S.RES ERJ2GEJ 682 X (6.8K)	T	53.5/8.6
R68	7030007290	S.RES ERJ2GEJ 222 X (2.2K)	B	53.7/17.7
R69	7030010040	S.RES ERJ2GEJ-JPW	T	85.6/16.8
R71	7030005090	S.RES ERJ2GEJ 104 X (100K)	T	54.5/8.6
R72	7030007290	S.RES ERJ2GEJ 222 X (2.2K)	B	50.9/30.2
R73	7030004980	S.RES ERJ2GEJ 101 X (100)	B	80.3/29.7
R74	7030007570	S.RES ERJ2GEJ 122 X (1.2K)	B	83.1/27.8
R75	7030005290	S.RES ERJ2GEJ 682 X (6.8K)	B	82.6/42.4
R76	7030005050	S.RES ERJ2GEJ 103 X (10K)	B	82.4/33
R77	7030005580	S.RES ERJ2GEJ 560 X (56)	B	83.2/48
R78	7030005220	S.RES ERJ2GEJ 223 X (22K)	B	81.6/37.3
R79	7030007340	S.RES ERJ2GEJ 153 X (15K)	T	51.1/42.8
R80	7030007340	S.RES ERJ2GEJ 153 X (15K)	T	51.1/41.8
R81	7030005090	S.RES ERJ2GEJ 104 X (100K)	B	74.9/45.2
R82	7030005110	S.RES ERJ2GEJ 224 X (220K)	B	71.7/27.3
R83	7030008400	S.RES ERJ2GEJ 182 X (1.8K)	T	32.4/10.6
R85	7030005110	S.RES ERJ2GEJ 224 X (220K)	T	25/19.2
R87	7030007300	S.RES ERJ2GEJ 332 X (3.3K)	T	30.5/19.3
R88	7030005120	S.RES ERJ2GEJ 102 X (1K)	B	90.7/6.6
R90	7030005000	S.RES ERJ2GEJ 471 X (470)	B	89.8/18.5
R91	7030005230	S.RES ERJ2GEJ 334 X (330K)	T	86.4/12.8
R93	7030005310	S.RES ERJ2GEJ 124 X (120K)	T	83.9/8.4
R94	7030005080	S.RES ERJ2GEJ 823 X (82K)	T	106.7/36.7
R95	7030005720	S.RES ERJ2GEJ 563 X (56K)	T	106.3/35.7
R96	7030005240	S.RES ERJ2GEJ 473 X (47K)	B	63.7/15.1
R97	7030005060	S.RES ERJ2GEJ 333 X (33K)	B	52.2/12.7
R98	7030005030	S.RES ERJ2GEJ 152 X (1.5K)	B	63.7/18.9
R99	7030005240	S.RES ERJ2GEJ 473 X (47K)	B	63.7/18.9
R100	7030005800	S.RES RR0510P-102-D (1K)	B	84.4/32.4
R101	7030007280	S.RES ERJ2GEJ 331 X (330)	B	80.1/32.9
R102	7030005530	S.RES ERJ2GEJ 100 X (10)	T	23/21.3
R103	7030005600	S.RES ERJ2GEJ 273 X (27K)	T	28.7/25.5
R104	7030007280	S.RES ERJ2GEJ 331 X (330)	T	25/22.5
R105	7030005600	S.RES ERJ2GEJ 273 X (27K)	B	32.4/24.2
R106	7030007270	S.RES ERJ2GEJ 151 X (150)	T	33.9/22.5
R108	7030005240	S.RES ERJ2GEJ 473 X (47K)	B	81.9/18.9
R109	7030005700	S.RES ERJ2GEJ 274 X (270K)	B	81/18.9
R110	7030005050	S.RES ERJ2GEJ 103 X (10K)	T	78.4/20.8
R111	7030005050	S.RES ERJ2GEJ 103 X (10K)	T	96.2/28.5
R112	7030005700	S.RES ERJ2GEJ 274 X (270K)	T	81.7/20.2
R113	7030005240	S.RES ERJ2GEJ 473 X (47K)	B	57.4/19.5
R114	7030005090	S.RES ERJ2GEJ 104 X (100K)	B	54.1/13.4
R115	7030005090	S.RES ERJ2GEJ 104 X (100K)	T	113.7/17.8
R116	7030005090	S.RES ERJ2GEJ 104 X (100K)	B	78.4/15.4
R117	7030005050	S.RES ERJ2GEJ 103 X (10K)	B	81.6/38.2
R118	7030005700	S.RES ERJ2GEJ 274 X (270K)	T	88.5/9.9
R120	7030007280	S.RES ERJ2GEJ 331 X (330)	T	26.5/34.4
R122	7030005600	S.RES ERJ2GEJ 273 X (27K)	T	28.8/35.2
R123	7030005600	S.RES ERJ2GEJ 273 X (27K)	T	34.1/35.2
R125	7030007270	S.RES ERJ2GEJ 151 X (150)	T	36.4/34.4
R127	7030005050	S.RES ERJ2GEJ 103 X (10K)	B	78.2/18.7
R128	7030005240	S.RES ERJ2GEJ 473 X (47K)	T	111.5/45.4
R129	7030005040	S.RES ERJ2GEJ 472 X (4.7K)	T	111.1/44.5
R130	7030005070	S.RES ERJ2GEJ 683 X (68K)	T	103.5/41.8
R131	7030005070	S.RES ERJ2GEJ 683 X (68K)	T	103.5/43.6
R132	7030004980	S.RES ERJ2GEJ 101 X (100)	T	113.8/16.5
R133	7030005090	S.RES ERJ2GEJ 104 X (100K)	T	109.6/11.8
R134	7030005160	S.RES ERJ2GEJ 105 X (1M)	T	129.8/25.5
R135	7030005160	S.RES ERJ2GEJ 105 X (1M)	T	129.8/24.2
R136	7030005160	S.RES ERJ2GEJ 105 X (1M)	T	129.8/22.9
R138	7030005530	S.RES ERJ2GEJ 100 X (10)	T	63.8/31.3
R139	7410001140	S.ARR EXB28V104JX	T	133.8/19.8
R140	7030006020	S.RES RR0510P-682-D (6.8K)	T	62.9/44.3
R141	7030006020	S.RES RR0510P-682-D (6.8K)	T	62.9/42.6
R143	7030006020	S.RES RR0510P-682-D (6.8K)	T	62.9/37.8
R144	7030006020	S.RES RR0510P-682-D (6.8K)	T	62.9/36.1
R146	7030006020	S.RES RR0510P-682-D (6.8K)	T	62.9/31.3
R147	7030006020	S.RES RR0510P-682-D (6.8K)	T	62.9/29.6
R148	7030009320	S.RES ERJ2GEJ 4R7 X (4.7)	T	61.6/30.9
R149	7030005110	S.RES ERJ2GEJ 224 X (220K)	B	65.1/32.6
R150	7030008290	S.RES ERJ2GEJ 183 X (18K)	B	79.2/28.2

[MAIN-A UNIT] (For MDC compatible versions)

REF NO.	PARTS NO.	DESCRIPTION	M.	H/V LOCATION
R151	7030005220	S.RES ERJ2GEJ 223 X (22K)	B	80.5/27.8
R151	7030005220	S.RES ERJ2GEJ 223 X (22K)	[C]	
R151	7030005220	S.RES ERJ2GEJ 223 X (22K)	[O]	
R151	7030008290	S.RES ERJ2GEJ 183 X (18K)	[L]	
R151	7030008290	S.RES ERJ2GEJ 183 X (18K)	[D]	
R151	7030008290	S.RES ERJ2GEJ 183 X (18K)	[P]	
R151	7030005220	S.RES ERJ2GEJ 223 X (22K)	[E]	
R151	7030005220	S.RES ERJ2GEJ 223 X (22K)	[F]	
R151	7030005220	S.RES ERJ2GEJ 223 X (22K)	[G]	
R151	7030005220	S.RES ERJ2GEJ 223 X (22K)	[L]	
R151	7030005220	S.RES ERJ2GEJ 223 X (22K)	[I]	
R151	7030008290	S.RES ERJ2GEJ 183 X (18K)	[H]	
R152	7030005090	S.RES ERJ2GEJ 104 X (100K)	B	81.8/28.2
R153	7030007300	S.RES ERJ2GEJ 332 X (3.3K)	T	36.4/42.1
R154	7030004970	S.RES ERJ2GEJ 470 X (47)	T	42.9/40
R155	7030007290	S.RES ERJ2GEJ 222 X (2.2K)	T	39.9/33
R156	7030004970	S.RES ERJ2GEJ 470 X (47)	T	42.3/41.2
R157	7030005090	S.RES ERJ2GEJ 104 X (100K)	B	30.1/24.9
R158	7030005240	S.RES ERJ2GEJ 473 X (47K)	T	111.1/42.7
R159	7030005240	S.RES ERJ2GEJ 473 X (47K)	T	111.5/40.9
R160	7030005240	S.RES ERJ2GEJ 473 X (47K)	T	113.7/39.9
R161	7030005070	S.RES ERJ2GEJ 683 X (68K)	T	105.4/48.4
R162	7030005240	S.RES ERJ2GEJ 473 X (47K)	T	127.8/16.3
R163	7030005240	S.RES ERJ2GEJ 473 X (47K)	T	128.7/17.2
R164	7030005240	S.RES ERJ2GEJ 473 X (47K)	T	129.6/16.3
R165	7030005230	S.RES ERJ2GEJ 334 X (330K)	T	129.8/21.6
R166	7030005230	S.RES ERJ2GEJ 334 X (330K)	T	129.8/20.3
R167	7030005230	S.RES ERJ2GEJ 334 X (330K)	T	129.8/19
R168	7030011180	S.RES RR0510P-391-D (390)	B	58.5/42.6
R169	7030011180	S.RES RR0510P-391-D (390)	B	58.5/38.4
R170	7030009820	S.RES RR0510P-681-D (680)	B	55.7/31.5
R171	7030005310	S.RES ERJ2GEJ 124 X (120K)	T	57/31.8
R172	7030008280	S.RES ERJ2GEJ 271 X (270)	B	37.5/44.6
R173	7030007270	S.RES ERJ2GEJ 151 X (150)	B	40/32.8
R176	7030005590	S.RES ERJ2GEJ 680 X (68)	B	31.3/37.4
R177	7030005590	S.RES ERJ2GEJ 680 X (68)	B	31.3/35
R178	7030005240	S.RES ERJ2GEJ 473 X (47K)	T	113.7/38.9
R179	7030008300	S.RES ERJ2GEJ 184 X (180K)	T	117.1/34.6
R180	7030005720	S.RES ERJ2GEJ 563 X (56K)	T	117.5/35.6
R181	7030005220	S.RES ERJ2GEJ 223 X (22K)	T	117.1/36.6
R182	7030005120	S.RES ERJ2GEJ 102 X (1K)	T	117.5/33.6
R183	7030005070	S.RES ERJ2GEJ 683 X (68K)	T	103.7/48.4
R184	7030005220	S.RES ERJ2GEJ 223 X (22K)	T	115.4/36.6
R185	7030005070	S.RES ERJ2GEJ 683 X (68K)	B	102.3/45.6
R186	7030005160	S.RES ERJ2GEJ 105 X (1M)	T	81.3/19.3
R187	7030005060	S.RES ERJ2GEJ 333 X (33K)	T	81.3/17.5
R188	7030005090	S.RES ERJ2GEJ 104 X (100K)	T	78.9/14.6
R189	7030005720	S.RES ERJ2GEJ 563 X (56K)	T	78.5/15.8
R190	7030005080	S.RES ERJ2GEJ 823 X (82K)	T	80.9/18.4
R191	7030004980	S.RES ERJ2GEJ 101 X (100)	B	54.2/30.4
R192	7030008280	S.RES ERJ2GEJ 271 X (270)	B	52.6/35.9
R193	7030005050	S.RES ERJ2GEJ 103 X (10K)	B	57.5/31.5
R194	7030007340	S.RES ERJ2GEJ 153 X (15K)	T	53.5/36.7
R195	7030007260	S.RES ERJ2GEJ 330 X (33)	T	51/33.4
R196	7030005050	S.RES ERJ2GEJ 103 X (10K)	B	56.8/35.3
R197	7030005050	S.RES ERJ2GEJ 103 X (10K)	B	55/38.5
R198	7030010090	S.RES ERJ2GEJ 180 X (18)	B	38/46
R199	7030008280	S.RES ERJ2GEJ 271 X (270)	B	38.5/44.6
R200	7030005050	S.RES ERJ2GEJ 103 X (10K)	B	8.4/20.6
R201	7410001130	S.ARR EXB28V102JX	B	117/51.7
R202	7030005090	S.RES ERJ2GEJ 104 X (100K)	T	127.1/46.7
R203	7030005120	S.RES ERJ2GEJ 102 X (1K)	B	126.7/42.2
R204	7410000750	S.ARR EXB-V4V 104JV (100K)	B	129.6/43.4
R205	7030008010	S.RES ERJ2GEJ 123 X (12K)	T	126.2/39.2
R206	7030005120	S.RES ERJ2GEJ 102 X (1K)	B	128.7/37.1
R207	7030005050	S.RES ERJ2GEJ 103 X (10K)	T	120.3/37
R208	7030005050	S.RES ERJ2GEJ 103 X (10K)	T	121/37.7
R209	7410001130	S.ARR EXB28V102JX	B	128.6/39.5
R210	7030008010	S.RES ERJ2GEJ 123 X (12K)	T	123.6/37.9
R211	7030008010	S.RES ERJ2GEJ 123 X (12K)	T	125.5/40.8
R212	7030005160	S.RES ERJ2GEJ 105 X (1M)	T	121.7/40.8
R213	7030005070	S.RES ERJ2GEJ 683 X (68K)	T	49/35
R214	7030004980	S.RES ERJ2GEJ 101 X (100)	B	49/35
R215	7030005050	S.RES ERJ2GEJ 103 X (10K)	B	48.8/51.4
R216	7030004980	S.RES ERJ2GEJ 101 X (100)	B	49.8/49.7
R216	7030005120	S.RES ERJ2GEJ 102 X (1K)	[C]	
R216	7030005120	S.RES ERJ2GEJ 102 X (1K)	[O]	
R216	7030005120	S.RES ERJ2GEJ 102 X (1K)	[L]	
R216	7030004980	S.RES ERJ2GEJ 101 X (100)	[D]	
R216	7030005120	S.RES ERJ2GEJ 102 X (1K)	[P]	
R216	7030004980	S.RES ERJ2GEJ 101 X (100)	[E]	
R216	7030004980	S.RES ERJ2GEJ 101 X (100)	[F]	
R216	7030004980	S.RES ERJ2GEJ 101 X (100)	[G]	
R216	7030005120	S.RES ERJ2GEJ 102 X (1K)	[L]	
R216	7030004980	S.RES ERJ2GEJ 101 X (100)	[I]	
R216	7030004980	S.RES ERJ2GEJ 101 X (100)	[H]	
R218	7030010040	S.RES ERJ2GEJ-JPW	T	53.5/34.9
R219	7030005050	S.RES ERJ2GEJ 103 X (10K)	B	46.8/44.6
R220	7030005040	S.RES ERJ2GEJ 472 X (4.7K)	B	49.7/44.8
R221	7030004980	S.RES ERJ2GEJ 101 X (100)	B	46.8/42.9
R222	7030005110	S.RES ERJ2GEJ 224 X (220K)	B	13.5/33.1
R223	7030005110	S.RES ERJ2GEJ 224 X (220K)	B	10.7/33.1
R224	7030005050	S.RES ERJ2GEJ 103 X (10K)	B	10.7/31.4
R225	7030005000	S.RES ERJ2GEJ 471 X (470)	B	8/19.2
R226	7030004980	S.RES ERJ2GEJ 101 X (100)	T	110/51.7
R227	7030005090	S.RES ERJ2GEJ 104 X (100K)	B	106.6/50.3
R228	7410001140	S.ARR EXB28V104JX	T	107.1/50.6
R230	7030005050	S.RES ERJ2GEJ 103 X (10K)	B	124.7/42.7
R232	7030005530	S.RES ERJ2GEJ 100 X (10)	T	120/40.8
R233	7410000750	S.ARR EXB-V4V 104JV (100K)	T	130.1/33.2

[MAIN-A UNIT] (For MDC compatible versions)

REF NO.	PARTS NO.	DESCRIPTION	M.	H/V LOCATION
R244	7030005120	S.RES ERJ2GEJ 102 X (1K)	[C]	B 8.6/35.7
	7030005120	S.RES ERJ2GEJ 102 X (1K)	[O]	
	7030005120	S.RES ERJ2GEJ 102 X (1K)	[L]	
	7030005040	S.RES ERJ2GEJ 472 X (4.7K)	[D]	
	7030005040	S.RES ERJ2GEJ 472 X (4.7K)	[P]	
	7030005120	S.RES ERJ2GEJ 102 X (1K)	[E]	
	7030005120	S.RES ERJ2GEJ 102 X (1K)	[F]	
	7030005120	S.RES ERJ2GEJ 102 X (1K)	[G]	
	7030005120	S.RES ERJ2GEJ 102 X (1K)	[I]	
	7030005120	S.RES ERJ2GEJ 102 X (1K)	[L]	
	7030005120	S.RES ERJ2GEJ 102 X (1K)	[I]	
	7030005040	S.RES ERJ2GEJ 472 X (4.7K)	[H]	
R245	7030005530	S.RES ERJ2GEJ 100 X (10)	B	11.7/38.2
R246	7030005090	S.RES ERJ2GEJ 104 X (100K)	B	11.3/41.5
R247	7030005710	S.RES ERJ2GEJ 121 X (120)	B	7.3/41.2
R248	7410001130	S.ARR EXB28V102JX	B	103.9/47.9
R249	7410001130	S.ARR EXB28V102JX	B	123.6/27.2
R250	7410001130	S.ARR EXB28V102JX	B	121.9/25.3
R251	7410001140	S.ARR EXB28V104JX	T	124.2/27.9
R252	7410001140	S.ARR EXB28V104JX	T	122.1/25.7
R253	7030008290	S.RES ERJ2GEJ 183 X (18K)	T	11.8/40.8
R254	7030005110	S.RES ERJ2GEJ 224 X (220K)	T	7.3/41
R255	7030005240	S.RES ERJ2GEJ 273 X (47K)	B	9/41.9
R257	7030008400	S.RES ERJ2GEJ 182 X (1.8K)	T	7.3/39.7
R258	7030005170	S.RES ERJ2GEJ 474 X (470K)	T	8.4/42.2
R259	7030005090	S.RES ERJ2GEJ 104 X (100K)	B	5.4/45.6
R260	7030005090	S.RES ERJ2GEJ 104 X (100K)	B	5.4/48
R261	7410001130	S.ARR EXB28V102JX	B	99.7/43.5
R262	7410001130	S.ARR EXB28V102JX	T	100.5/37
R263	7410001130	S.ARR EXB28V102JX	B	97/40.7
R264	7410000750	S.ARR EXB-V4V 104JV (100K)	T	103.2/35.4
R265	7030007340	S.RES ERJ2GEJ 153 X (15K)	T	87.7/31
R266	7410001130	S.ARR EXB28V102JX	B	120.1/23.5
R267	7410001130	S.ARR EXB28V102JX	B	118.3/21.7
R268	7410001130	S.ARR EXB28V102JX	B	116.5/19.9
R269	7030005090	S.RES ERJ2GEJ 104 X (100K)	T	118.6/20.6
R270	7030007340	S.RES ERJ2GEJ 153 X (15K)	T	88.6/34.2
R271	7030007270	S.RES ERJ2GEJ 151 X (150)	T	73/71.8
R272	7030007280	S.RES ERJ2GEJ 331 X (330)	T	61.7/6.7
R273	7030005050	S.RES ERJ2GEJ 103 X (10K)	T	63.6/76.2
R274	7030004980	S.RES ERJ2GEJ 101 X (100)	B	57.9/68.9
R277	7030005050	S.RES ERJ2GEJ 103 X (10K)	B	4.1/46.5
R278	7030005050	S.RES ERJ2GEJ 103 X (10K)	B	126.6/28.8
R279	7030005090	S.RES ERJ2GEJ 104 X (100K)	B	127.6/28.8
R280	7410001130	S.ARR EXB28V102JX	B	95.2/38.9
R281	7030005090	S.RES ERJ2GEJ 104 X (100K)	T	93.8/48.9
R282	7410000750	S.ARR EXB-V4V 104JV (100K)	T	91.6/49.5
R283	7410001130	S.ARR EXB28V102JX	B	104.7/22.2
R284	7030005120	S.RES ERJ2GEJ 102 X (1K)	T	111.3/25.3
R285	7410001130	S.ARR EXB28V102JX	B	107.1/19.9
R286	7410001140	S.ARR EXB28V104JX	T	120.5/21.8
R287	7030004990	S.RES ERJ2GEJ 221 X (220)	B	57.6/64.5
R288	7030005100	S.RES ERJ2GEJ 154 X (150K)	B	55.8/68.9
R289	7030008300	S.RES ERJ2GEJ 184 X (180K)	[C]	B 44.3/65.5
	7030008300	S.RES ERJ2GEJ 184 X (180K)	[D]	
	7030008300	S.RES ERJ2GEJ 184 X (180K)	[E]	
	7030008300	S.RES ERJ2GEJ 184 X (180K)	[F]	
	7030008300	S.RES ERJ2GEJ 184 X (180K)	[G]	
	7030008300	S.RES ERJ2GEJ 184 X (180K)	[I]	
	7030008300	S.RES ERJ2GEJ 184 X (180K)	[J]	
R290	7520000260	S.POS PRF18BB471QB1RB	[C]	T 33.7/66.7
	7520000260	S.POS PRF18BB471QB1RB	[H]	
	7520000260	S.POS PRF18BB471QB1RB	[D]	
	7520000260	S.POS PRF18BB471QB1RB	[E]	
	7520000260	S.POS PRF18BB471QB1RB	[F]	
	7520000260	S.POS PRF18BB471QB1RB	[G]	
	7520000260	S.POS PRF18BB471QB1RB	[I]	
	7520000260	S.POS PRF18BB471QB1RB	[H]	
R291	7030005120	S.RES ERJ2GEJ 102 X (1K)	T	107.2/21.1
R292	7030006070	S.RES ERJ12VJ101U (100)	B	36.9/68
R293	7030005110	S.RES ERJ2GEJ 224 X (220K)	B	50.5/65.7
R294	7030005050	S.RES ERJ2GEJ 103 X (10K)	B	53.1/70.1
R295	7030005110	S.RES ERJ2GEJ 224 X (220K)	B	54.2/64.5
R296	7030005040	S.RES ERJ2GEJ 472 X (4.7K)	B	50/68.9
R297	7030008010	S.RES ERJ2GEJ 123 X (12K)	[C]	B 51.8/70.2
	7030008010	S.RES ERJ2GEJ 123 X (12K)	[O]	
	7030008010	S.RES ERJ2GEJ 123 X (12K)	[L]	
	7030008010	S.RES ERJ2GEJ 123 X (12K)	[D]	
	7030005220	S.RES ERJ2GEJ 223 X (22K)	[P]	
	7030008010	S.RES ERJ2GEJ 123 X (12K)	[E]	
	7030008010	S.RES ERJ2GEJ 123 X (12K)	[F]	
	7030008010	S.RES ERJ2GEJ 123 X (12K)	[G]	
	7030008010	S.RES ERJ2GEJ 123 X (12K)	[L]	
	7030008010	S.RES ERJ2GEJ 123 X (12K)	[I]	
	7030008010	S.RES ERJ2GEJ 123 X (12K)	[H]	
R298	7030006610	S.RES ERJ2GEJ 394 X (390K)	B	49.2/66.1
R299	7030005110	S.RES ERJ2GEJ 224 X (220K)	B	18.3/33.1
R300	7030005050	S.RES ERJ2GEJ 103 X (10K)	B	99.9/59.6
R301	7030007290	S.RES ERJ2GEJ 222 X (2.2K)	T	106.7/55
R302	7030000440	S.RES MCR10EZJH 3.3K (332)	T	79.1/64.4
R303	7030000440	S.RES MCR10EZJH 3.3K (332)	T	81.1/64.4
R304	7030000440	S.RES MCR10EZJH 3.3K (332)	T	83.1/64.4
R305	7030005050	S.RES ERJ2GEJ 103 X (10K)	T	66.9/54.1
R306	7030005040	S.RES ERJ2GEJ 472 X (4.7K)	T	68.1/53.2
R307	7030005050	S.RES ERJ2GEJ 103 X (10K)	B	35.4/61.7
R308	7410001130	S.ARR EXB28V102JX	T	102.3/63.8
R309	7030005070	S.RES ERJ2GEJ 683 X (68K)	T	94.9/5.4
R310	7030004980	S.RES ERJ2GEJ 101 X (100)	B	109.1/62.5
R311	7030000260	S.RES MCR10EZJH 100 (101)	B	167/9.4
R312	7030005700	S.RES ERJ2GEJ 274 X (270K)	B	41/61.1
R313	7030003320	S.RES ERJ3GEYJ 101 V (100)	B	11.2/58

[MAIN-A UNIT] (For MDC compatible versions)

REF NO.	PARTS NO.	DESCRIPTION	M.	H/V LOCATION
R314	7030007340	S.RES ERJ2GEJ 153 X (15K)	[C]	B 10/55.3
	7030008400	S.RES ERJ2GEJ 182 X (1.8K)	[O]	
	7030008400	S.RES ERJ2GEJ 182 X (1.8K)	[L]	
	7030007340	S.RES ERJ2GEJ 153 X (15K)	[D]	
	7030007340	S.RES ERJ2GEJ 153 X (15K)	[P]	
	7030007340	S.RES ERJ2GEJ 153 X (15K)	[E]	
	7030007340	S.RES ERJ2GEJ 153 X (15K)	[F]	
	7030007340	S.RES ERJ2GEJ 153 X (15K)	[G]	
	7030008400	S.RES ERJ2GEJ 182 X (1.8K)	[I]	
	7030007340	S.RES ERJ2GEJ 153 X (15K)	[L]	
	7030007340	S.RES ERJ2GEJ 153 X (15K)	[I]	
	7030007340	S.RES ERJ2GEJ 153 X (15K)	[H]	
R315	7030000220	S.RES MCR10EZJH 47 (470)	B	3/61.6
R316	7030005170	S.RES ERJ2GEJ 474 X (470K)	T	92.7/10.3
R317	7030005160	S.RES ERJ2GEJ 105 X (1M)	B	116.5/86.3
R318	7030005160	S.RES ERJ2GEJ 105 X (1M)	B	113.7/83.8
R319	7030005120	S.RES ERJ2GEJ 102 X (1K)	B	114/82.6
R320	7030005160	S.RES ERJ2GEJ 105 X (1M)	B	112.9/86.3
R321	7030004970	S.RES ERJ2GEJ 470 X (47)	B	112.1/84.5
R322	7030007340	S.RES ERJ2GEJ 153 X (15K)	[C]	B 4.6/80.9
	7030008400	S.RES ERJ2GEJ 182 X (1.8K)	[O]	
	7030008400	S.RES ERJ2GEJ 182 X (1.8K)	[D]	
	7030007340	S.RES ERJ2GEJ 153 X (15K)	[L]	
	7030007340	S.RES ERJ2GEJ 153 X (15K)	[P]	
	7030007340	S.RES ERJ2GEJ 153 X (15K)	[E]	
	7030007340	S.RES ERJ2GEJ 153 X (15K)	[F]	
	7030007340	S.RES ERJ2GEJ 153 X (15K)	[G]	
	7030008400	S.RES ERJ2GEJ 182 X (1.8K)	[L]	
	7030007340	S.RES ERJ2GEJ 153 X (15K)	[I]	
	7030007340	S.RES ERJ2GEJ 153 X (15K)	[H]	
R323	7030003320	S.RES ERJ3GEYJ 101 V (100)	B	6.8/80.9
R324	7030000620	S.RES MCR10EZJH 100 K (104)	T	6.1/83.1
R325	7030005050	S.RES ERJ2GEJ 103 X (10K)	B	131.2/45.3
R326	7030005090	S.RES ERJ2GEJ 104 X (100K)	B	131.6/51.7
R327	7030005120	S.RES ERJ2GEJ 102 X (1K)	B	131.1/54.2
R328	7030005090	S.RES ERJ2GEJ 104 X (100K)	B	134.1/51.7
R332	7030005090	S.RES ERJ2GEJ 104 X (100K)	T	109.4/24.2
R333	7030005120	S.RES ERJ2GEJ 102 X (1K)	T	112.6/29.5
R334	7520000270	S.POS PRG21BC4R7MM1FA	T	108.1/00.77
R335	7030005050	S.RES ERJ2GEJ 103 X (10K)	T	108/78.8
R336	7030005120	S.RES ERJ2GEJ 102 X (1K)	T	112.2/80
R337	7410001130	S.ARR EXB28V102JX	T	104.8/77
R338	7030005651	S.RES ERA3YKD 304V (300K)	B	99.9/57.9
R339	7030005871	S.RES ERA3YKD 104V (100K)	B	99.9/56.5
R340	7030003560	S.RES ERJ3GEYJ 103 V (10K)	T	136.3/65.7
R341	7030003560	S.RES ERJ3GEYJ 103 V (10K)	B	130.7/85.9
R342	7030005090	S.RES ERJ2GEJ 104 X (100K)	B	135.4/52.2
R343	7030007290	S.RES ERJ2GEJ 222 X (2.2K)	B	138.1/49.4
R344	7030008270	S.RES RR0510P-104-D (100K)	B	133.3/54.6
R345	7030008270	S.RES RR0510P-104-D (100K)	B	133.3/56.3
R346	7030005040	S.RES ERJ2GEJ 472 X (4.7K)	B	137/52.2
R347	7030005050	S.RES ERJ2GEJ 103 X (10K)	B	137.8/53.7
R348	7030005700	S.RES ERJ2GEJ 274 X (270K)	B	131.3/75.6
R349	7030005090	S.RES ERJ2GEJ 104 X (100K)	B	130.4/76.7
R350	7030005120	S.RES ERJ2GEJ 102 X (1K)	B	140/47.6
R351	7030004980	S.RES ERJ2GEJ 101 X (100)	B	134.5/36.5
R352	7030008300	S.RES ERJ2GEJ 184 X (180K)	B	140.1/38.5
R353	7030005230	S.RES ERJ2GEJ 334 X (330K)	B	139.3/54.8
R354	7030010040	S.RES ERJ2GEJ-JPW	T	140.4/36
R355	7030008280	S.RES ERJ2GEJ 271 X (270)	B	138/34.8
R356	7540000290	ABS ERZV10D220		
R359	7030005090	S.RES ERJ2GEJ 104 X (100K)	B	112.6/80.5
R360	7030005090	S.RES ERJ2GEJ 104 X (100K)	T	78.4/53.1
R361	7030005600	S.RES ERJ2GEJ 273 X (27K)	T	76.7/18.3
R362	7030005050	S.RES ERJ2GEJ 103 X (10K)	T	121.7/48.6
R363	7030005120	S.RES ERJ2GEJ 102 X (1K)	T	42.9/38.2
R364	7030005040	S.RES ERJ2GEJ 472 X (4.7K)	T	42/37.2
R366	7030005090	S.RES ERJ2GEJ 104 X (100K)	B	131.4/63.4
R367	7030005040	S.RES ERJ2GEJ 472 X (4.7K)	B	130.1/63
R368	7030005050	S.RES ERJ2GEJ 103 X (10K)	T	80.6/7.2
R370	7030005810	S.RES RR0510P-152-D (1.5K)	B	78.4/35.7
R371	7030005120	S.RES ERJ2GEJ 102 X (1K)	B	78.7/44.7
R372	7030010040	S.RES ERJ2GEJ-JPW	B	39.5/8.1
R373	7030010040	S.RES ERJ2GEJ-JPW	B	50.4/12.3
R374	7030005050	S.RES ERJ2GEJ 103 X (10K)	T	117.9/83.3
R375	7030009140	S.RES ERJ2GEJ 272 X (2.7K)	T	29.2/5.3
R376	7030005040	S.RES ERJ2GEJ 472 X (4.7K)	T	75.8/18.3
R377	7030005160	S.RES ERJ2GEJ 105 X (1M)	B	112.9/12.2
R378	7030005160	S.RES ERJ2GEJ 105 X (1M)	B	114.2/12.7
R379	7410001140	S.ARR EXB28V104JX	B	99.9/18
R380	7030005090	S.RES ERJ2GEJ 104 X (100K)	T	110.9/22.2
R385	7030010040	S.RES ERJ2GEJ-JPW	T	64.8/76.6
R386	7410000750	S.ARR EXB-V4V 104JV (100K)	T	110.1/30.2
R387	7030005120	S.RES ERJ2GEJ 102 X (1K)	T	104.8/86.7
R388	7030005120	S.RES ERJ2GEJ 102 X (1K)	T	108.8/86.7
R389	7030005050	S.RES ERJ2GEJ 103 X (10K)	T	103.8/38.2
R390	7030008300	S.RES ERJ2GEJ 184 X (180K)	B	25.1/10.4
R391	7030005120	S.RES ERJ2GEJ 102 X (1K)	B	27.8/7.2
R392	7030008400	S.RES ERJ2GEJ 182 X (1.8K)	B	32.8/7.3
R393	7030004980	S.RES ERJ2GEJ 101 X (100)	B	32.8/8.2
R394	7030004980	S.RES ERJ2GEJ 101 X (100)	B	26/8.8

[MAIN-A UNIT] (For MDC compatible versions)

REF NO.	PARTS NO.	DESCRIPTION	M.	H/V LOCATION
C10	4030016930	S.CER ECJ0EB1A104K	T	79.8/51
C11	4030016930	S.CER ECJ0EB1A104K	T	9.3/18.1
C12	4030016930	S.CER ECJ0EB1A104K	T	82.8/6.6
C13	4030016930	S.CER ECJ0EB1A104K	T	86.3/8.9
C14	4030016930	S.CER ECJ0EB1A104K	T	41.5/7.7
C15	4550000460	S.TAN TEESVA 1C 105M8R	T	42.7/6.2
C17	4550000460	S.TAN TEESVA 1C 105M8R	B	43/6.2
C18	4030017420	S.CER ECJ0EC1H470J	T	41.7/14
C19	4030017420	S.CER ECJ0EC1H470J	B	50.4/15.8
C20	4030016970	S.CER ECJ0EB1C223K	B	101/52.7
C21	4030017420	S.CER ECJ0EC1H470J	T	41.7/16.9
C22	4030017420	S.CER ECJ0EC1H470J	T	41.7/12.7
C23	4030016930	S.CER ECJ0EB1A104K	T	52.2/5.6
C24	4030017660	S.CER ECJ0EC1H330J	B	39.5/9.8
C25	4030017420	S.CER ECJ0EC1H470J	T	60.9/5.9
C26	4030016930	S.CER ECJ0EB1A104K	B	37.7/6
C27	4030018240	S.CER ECJ0EB1E562K	B	36.8/7.3
C28	4030016790	S.CER ECJ0EB1C103K	T	78.1/9.5
C29	4030017460	S.CER ECJ0EB1E102K	T	78.5/12.5
C30	4030016930	S.CER ECJ0EB1A104K	T	78.5/13.4
C31	4030017460	S.CER ECJ0EB1E102K	T	82/50.5
C32	4030017500	S.CER ECJ0EC1H560J	B	33.3/15.9
C33	4030016930	S.CER ECJ0EB1A104K	B	35.8/12.7
C34	4030017570	S.CER ECJ0EC1H040B	B	32/15.4
C35	4030017590	S.CER ECJ0EC1H070C	B	30.8/15.9
C36	4030016930	S.CER ECJ0EB1A104K	T	22.9/15
C37	4030017360	S.CER ECJ0EC1H030B	B	28.1/15.4
C38	4030016930	S.CER ECJ0EB1A104K	T	22/5.7
C39	4030016930	S.CER ECJ0EB1A104K	B	15/5.7
C40	4030016930	S.CER ECJ0EB1A104K	T	24.2/5.6
C41	4030016930	S.CER ECJ0EB1A104K	T	22.2/12.5
C42	4030016930	S.CER ECJ0EB1A104K	T	23.1/12.5
C43	4030017910	S.CER ECJ0EB1H152K	T	27.4/9.4
C44	4030017910	S.CER ECJ0EB1H152K	T	26.5/9.4
C45	4030017790	S.CER ECJ0EB1E682K	B	92.6/10
C46	4030016930	S.CER ECJ0EB1A104K	B	93.6/10
C47	4030016970	S.CER ECJ0EC1C223K	T	90.9/14.7
C48	4030017710	S.CER ECJ0EC1H181J	B	49.9/9.1
C49	4550006250	S.TAN TEESVA 1A 106M8R	T	54.8/15.4
C50	4030017460	S.CER ECJ0EB1E102K	T	55.4/12.1
C51	4030017400	S.CER ECJ0EC1H220J	T	46.3/18.8
C52	4030017400	S.CER ECJ0EC1H220J	T	44.7/7.8
C53	4030017900	S.CER ECJ0EB1C123K	B	63.7/10.8
C54	4030018080	S.CER ECJ0EB1H182K	B	63.7/11.7
C55	4030016790	S.CER ECJ0EB1C103K	B	49.2/30.2
C56	4030017620	S.CER ECJ0EC1H100C	T	83.4/36.5
C57	4030016930	S.CER ECJ0EB1A104K	T	84.8/31
C58	4030017430	S.CER ECJ0EC1H101J	T	85.7/38.8
C59	4030017460	S.CER ECJ0EB1E102K	T	81.8/24.8
C60	4030017420	S.CER ECJ0EC1H470J	T	83/41.5
C61	4030017620	S.CER ECJ0EC1H100C	T	84.4/40.2
C62	4030017650	S.CER ECJ0EC1H270J	T	81.2/41.5
C65	4030017460	S.CER ECJ0EB1E102K	T	28.7/10.6
C66	4550006250	S.TAN TEESVA 1A 106M8R	T	30.7/6.9
C67	4030017460	S.CER ECJ0EB1E102K	T	26.6/6.4
C68	4030017460	S.CER ECJ0EB1E102K	T	30.5/8.5
C69	4030017460	S.CER ECJ0EB1E102K	T	32.6/15.4
C70	4030017420	S.CER ECJ0EC1H470J	B	30.6/14.3
C71	4030016940	S.CER ECJ0EB1A393K	B	92.6/8.3
C72	4030018860	S.CER ECJ0EB0J105K	B	50.9/11
C73	4030017750	S.CER ECJ0EB1E122K	B	50.3/17.7
C74	4030016930	S.CER ECJ0EB1A104K	B	52/17.7
C75	4030016930	S.CER ECJ0EB1A104K	B	55.9/12.6
C77	4030017460	S.CER ECJ0EB1E102K	B	53.1/12.7
C78	4030017460	S.CER ECJ0EB1E102K	B	53.3/8.6
C79	4550006250	S.TAN TEESVA 1A 106M8R	B	50.1/33.1
C80	4030017770	S.CER ECJ0EB1E332K	B	82.6/43.3
C81	4550000560	S.TAN TEESVA 1V 334M8R	B	84.4/41.1
C82	4030017460	S.CER ECJ0EB1E102K	B	80.3/30.7
C83	4550000270	S.TAN TEESVA 1E 474M8R	B	84.4/35.9
C84	4030017460	S.CER ECJ0EB1E102K	B	83.2/49.9
C85	4030017350	S.CER ECJ0EC1H020B	T	55.2/45.4
C87	4030017340	S.CER ECJ0EC1H010B	T	53.9/42.8
C88	4030017530	S.CER ECJ0EC1H0R5B	T	55.2/42.3
C89	4030017550	S.CER ECJ0EC1H1R5B	[C] T	53.9/41.8
	4030017550	S.CER ECJ0EC1H1R5B	[O]	
	4030017550	S.CER ECJ0EC1H1R5B	[L]	
	4030017340	S.CER ECJ0EC1H010B	[D]	
	4030017340	S.CER ECJ0EC1H010B	[P]	
	4030017550	S.CER ECJ0EC1H1R5B	[E]	
	4030017550	S.CER ECJ0EC1H1R5B	[F]	
	4030017550	S.CER ECJ0EC1H1R5B	[G]	
	4030017550	S.CER ECJ0EC1H1R5B	[L]	
	4030017550	S.CER ECJ0EC1H1R5B	[I]	
	4030017340	S.CER ECJ0EC1H010B	[H]	
C91	4030016790	S.CER ECJ0EB1C103K	T	27.3/17.3
C92	4030017460	S.CER ECJ0EB1E102K	T	25.2/20.9
C93	4030017680	S.CER ECJ0EC1H820J	T	32.4/12.5
C94	4030017460	S.CER ECJ0EB1E102K	B	30.6/13.4
C95	4030016790	S.CER ECJ0EB1C103K	T	28.8/19.3
C98	4030016930	S.CER ECJ0EB1A104K	B	89.3/7.4
C99	4030016930	S.CER ECJ0EB1A104K	B	90.8/14.6
C100	4030016930	S.CER ECJ0EB1A104K	T	86.1/15.6
C101	4030017710	S.CER ECJ0EC1H181J	T	83.9/7.5
C102	4030016930	S.CER ECJ0EB1A104K	T	106.7/34.7
C103	4030016930	S.CER ECJ0EB1A104K	B	55.3/19.5
C104	4550000270	S.TAN TEESVA 1E 474M8R	B	76.6/32.9
C105	4030017420	S.CER ECJ0EC1H470J	T	74.2/41.3
C107	4030016930	S.CER ECJ0EB1A104K	B	72.9/43.4
C110	4030017420	S.CER ECJ0EC1H470J	T	74.2/34.8
C111	4030016930	S.CER ECJ0EB1A104K	B	73.9/28.3
C112	4030017460	S.CER ECJ0EB1E102K	T	73/27.4
C113	4030017420	S.CER ECJ0EC1H470J	T	74.2/28.3
C114	4030016790	S.CER ECJ0EB1C103K	T	24.3/20.9

[MAIN-A UNIT] (For MDC compatible versions)

REF NO.	PARTS NO.	DESCRIPTION	M.	H/V LOCATION
C115	4030016790	S.CER ECJ0EB1C103K	T	21.5/21.1
C116	4030016790	S.CER ECJ0EB1C103K	T	26.6/22.5
C119	4030017640	S.CER ECJ0EC1H150J	T	20.3/27.9
C120	4030016790	S.CER ECJ0EB1C103K	T	32.2/22.9
C123	4030017630	S.CER ECJ0EC1H330J	T	40/28
C124	4030016930	S.CER ECJ0EB1A104K	B	90.8/17.4
C126	4030016930	S.CER ECJ0EB1A104K	T	82.7/21.2
C128	4030016930	S.CER ECJ0EB1A104K	T	80/20.2
C129	4030016930	S.CER ECJ0EB1A104K	T	63.7/16
C130	4030016930	S.CER ECJ0EB1A104K	B	134.8/16.8
C131	4030017660	S.CER ECJ0EC1H330J	B	137.5/23.8
C132	4030017660	S.CER ECJ0EC1H330J	B	137.5/18.8
C133	4030017580	S.CER ECJ0EC1H060C	T	69/43.9
	4030017580	S.CER ECJ0EC1H060C	[C]	
	4030017580	S.CER ECJ0EC1H060C	[L]	
	4030017380	S.CER ECJ0EC1H050B	[D]	
	4030017380	S.CER ECJ0EC1H050B	[P]	
	4030017580	S.CER ECJ0EC1H060C	[E]	
	4030017580	S.CER ECJ0EC1H060C	[F]	
	4030017580	S.CER ECJ0EC1H060C	[G]	
	4030017580	S.CER ECJ0EC1H060C	[I]	
	4030017580	S.CER ECJ0EC1H060C	[H]	
C134	4030017590	S.CER ECJ0EC1H070C	T	70.3/43
C135	4030017590	S.CER ECJ0EC1H070C	T	69/37.4
C136	4030017460	S.CER ECJ0EB1E102K	B	84.1/27.8
C137	4030017670	S.CER ECJ0EC1H390J	T	70.3/30
	4030017670	S.CER ECJ0EC1H390J	[C]	
	4030017670	S.CER ECJ0EC1H390J	[O]	
	4030017670	S.CER ECJ0EC1H390J	[L]	
	4030017630	S.CER ECJ0EC1H120J	[D]	
	4030017630	S.CER ECJ0EC1H120J	[P]	
	4030017670	S.CER ECJ0EC1H390J	[E]	
	4030017670	S.CER ECJ0EC1H390J	[F]	
	4030017670	S.CER ECJ0EC1H390J	[G]	
	4030017670	S.CER ECJ0EC1H390J	[I]	
	4030017670	S.CER ECJ0EC1H390J	[H]	
C138	4030017640	S.CER ECJ0EC1H150J	T	69/30.9
	4030017640	S.CER ECJ0EC1H150J	[C]	
	4030017640	S.CER ECJ0EC1H150J	[O]	
	4030017620	S.CER ECJ0EC1H100C	[D]	
	4030017620	S.CER ECJ0EC1H100C	[P]	
	4030017640	S.CER ECJ0EC1H150J	[E]	
	4030017640	S.CER ECJ0EC1H150J	[F]	
	4030017640	S.CER ECJ0EC1H150J	[G]	
	4030017640	S.CER ECJ0EC1H150J	[L]	
	4030017640	S.CER ECJ0EC1H150J	[I]	
	4030017620	S.CER ECJ0EC1H100C	[H]	
C139	4030017630	S.CER ECJ0EC1H120J	T	70.3/36.5
	4030017630	S.CER ECJ0EC1H120J	[C]	
	4030017630	S.CER ECJ0EC1H120J	[O]	
	4030017630	S.CER ECJ0EC1H120J	[D]	
	4030017620	S.CER ECJ0EC1H100C	[P]	
	4030017620	S.CER ECJ0EC1H100C	[E]	
	4030017630	S.CER ECJ0EC1H120J	[F]	
	4030017630	S.CER ECJ0EC1H120J	[G]	
	4030017630	S.CER ECJ0EC1H120J	[I]	
	4030017620	S.CER ECJ0EC1H100C	[H]	
C140	4030017460	S.CER ECJ0EB1E102K	T	73/40.4
C141	4030017460	S.CER ECJ0EB1E102K	T	73/33.9
C142	4030018860	S.CER ECJ0EB0J105K	T	90.1/10.7
C143	4030017340	S.CER ECJ0EC1H010B	T	64.7/31.3
C145	4030016790	S.CER ECJ0EB1C103K	T	27.8/35.2
C146	4030017610	S.CER ECJ0EC1H090C	T	36.4/33.4
C147	4030016790	S.CER ECJ0EB1C103K	T	35.1/35.2
C148	4030016790	S.CER ECJ0EB1C103K	T	29.9/33.9
C149	4030016930	S.CER ECJ0EB1A104K	B	76.5/18.7
C150	4030018560	S.CER C2012 JB 1A 475K-T	B	89/22
C151	4030016930	S.CER ECJ0EB1A104K	T	111.1/46.3
C152	4030016930	S.CER ECJ0EB1A104K	T	108.5/35.7
C153	4030017460	S.CER ECJ0EB1E102K	T	110.3/35.6
C154	4030018860	S.CER ECJ0EB0J105K	T	83.2/19.8
C155	4030017420	S.CER ECJ0EC1H470J	T	110.3/37.9
C156	4030017910	S.CER ECJ0EB1H152K	T	103.2/42.7
C157	4030017420	S.CER ECJ0EC1H470J	T	110.7/47.2
C158	4030017430	S.CER ECJ0EC1H101J	T	108.5/36.7
C159	4030017460	S.CER ECJ0EB1E102K	B	118.5/9.4
C160	4030017460	S.CER ECJ0EB1E102K	B	130.6/25.4
C161	4030017620	S.CER ECJ0EC1H100C	T	64.2/43
C162	4030017380	S.CER ECJ0EC1H050B	[C] T	68.6/45.2
	4030017380	S.CER ECJ0EC1H050B	[O]	
	4030017380	S.CER ECJ0EC1H050B	[L]	
	4030017580	S.CER ECJ0EC1H060C	[D]	
	4030017580	S.CER ECJ0EC1H060C	[P]	
	4030017380	S.CER ECJ0EC1H050B	[E]	
	4030017380	S.CER ECJ0EC1H050B	[F]	
	4030017380	S.CER ECJ0EC1H050B	[G]	
	4030017380	S.CER ECJ0EC1H050B	[I]	
	4030017580	S.CER ECJ0EC1H060C	[H]	
C163	4030017620	S.CER ECJ0EC1H100C	T	64.2/36.5
	4030017620	S.CER ECJ0EC1H100C	[C]	
	4030017620	S.CER ECJ0EC1H100C	[O]	
	4030017390	S.CER ECJ0EC1H180J	[D]	
	4030017390	S.CER ECJ0EC1H180J	[P]	
	4030017620	S.CER ECJ0EC1H100C	[E]	
	4030017620	S.CER ECJ0EC1H100C	[F]	
	4030017620	S.CER ECJ0EC1H100C	[G]	
	4030017620	S.CER ECJ0EC1H100C	[I]	
	4030017620	S.CER ECJ0EC1H100C	[L]	
	4030017390	S.CER ECJ0EC1H180J	[H]	

M.=Mounted side (T: Mounted on the Top side, B: Mounted on the Bottom side

[MAIN-A UNIT] (For MDC compatible versions)

REF NO.	PARTS NO.	DESCRIPTION	M.	H/V LOCATION	
C239	4030017550	S.CER ECJ0EC1H1R5B	[C]	B 12.9/35.7	
	4030017550	S.CER ECJ0EC1H1R5B	[O]		
	4030017550	S.CER ECJ0EC1H1R5B	[L]		
	4030017350	S.CER ECJ0EC1H020B	[D]		
	4030017350	S.CER ECJ0EC1H020B	[P]		
	4030017550	S.CER ECJ0EC1H1R5B	[E]		
	4030017550	S.CER ECJ0EC1H1R5B	[F]		
	4030017550	S.CER ECJ0EC1H1R5B	[G]		
	4030017550	S.CER ECJ0EC1H1R5B	[I]		
C240	4030017550	S.CER ECJ0EC1H1R5B	[L]	B 14/34.4	
	4030017350	S.CER ECJ0EC1H020B	[H]		
	4030017610	S.CER ECJ0EC1H090C	[C]		
	4030017610	S.CER ECJ0EC1H090C	[O]		
	4030017610	S.CER ECJ0EC1H090C	[L]		
	4030017600	S.CER ECJ0EC1H080C	[D]		
	4030017600	S.CER ECJ0EC1H080C	[P]		
	4030017610	S.CER ECJ0EC1H090C	[E]		
	4030017610	S.CER ECJ0EC1H090C	[F]		
	4030017610	S.CER ECJ0EC1H090C	[G]		
	4030017610	S.CER ECJ0EC1H090C	[I]		
	4030017600	S.CER ECJ0EC1H080C	[H]		
C241	4030017340	S.CER ECJ0EC1H010B	[C]	B 15.5/37.7	
	4030017340	S.CER ECJ0EC1H010B	[O]		
	4030017340	S.CER ECJ0EC1H010B	[L]		
	4030017520	S.CER ECJ0EC1H0R3B	[D]		
	4030017520	S.CER ECJ0EC1H0R3B	[P]		
	4030017340	S.CER ECJ0EC1H010B	[E]		
	4030017340	S.CER ECJ0EC1H010B	[F]		
	4030017340	S.CER ECJ0EC1H010B	[G]		
	4030017340	S.CER ECJ0EC1H010B	[I]		
	4030017520	S.CER ECJ0EC1H0R3B	[H]		
	4030017610	S.CER ECJ0EC1H090C	[C]		
	4030017610	S.CER ECJ0EC1H090C	[O]		
C242	4030017610	S.CER ECJ0EC1H090C	[L]	B 10.4/35.7	
	4030017600	S.CER ECJ0EC1H080C	[D]		
	4030017600	S.CER ECJ0EC1H080C	[P]		
	4030017610	S.CER ECJ0EC1H090C	[E]		
	4030017610	S.CER ECJ0EC1H090C	[F]		
	4030017610	S.CER ECJ0EC1H090C	[G]		
	4030017610	S.CER ECJ0EC1H090C	[I]		
	4030017610	S.CER ECJ0EC1H090C	[L]		
	4030017610	S.CER ECJ0EC1H090C	[H]		
	4030017610	S.CER ECJ0EC1H090C	[C]		
	4030017610	S.CER ECJ0EC1H090C	[O]		
	4030017610	S.CER ECJ0EC1H090C	[L]		
	4030017380	S.CER ECJ0EC1H050B	[D]		
	4030017370	S.CER ECJ0EC1H3R5B	[P]		
	4030017370	S.CER ECJ0EC1H3R5B	[E]		
	4030017380	S.CER ECJ0EC1H050B	[F]		
C243	4030017460	S.CER ECJ0EB1E102K	[G]	B 15.4/32.2	
	4030017460	S.CER ECJ0EB1E102K	[I]		
	4030017460	S.CER ECJ0EB1E102K	[L]		
	4550006780	S.TAN TEESVB2 0J 476M8R	[C]		B 9.7/31.4 B 5.6/18.7 B 104.2/52.7 B 106/54.6 B 107.6/52.4 B 121/47.2 T 120.4/39.9 B 66.3/65.9
	4030016930	S.CER ECJ0EB1A104K	[O]		
	4030016930	S.CER ECJ0EB1A104K	[L]		
	4030016930	S.CER ECJ0EB1A104K	[D]		
	4030016930	S.CER ECJ0EB1A104K	[P]		
	4030018900	S.CER ECJ0EB0J474K	[E]		
	4030017630	S.CER ECJ0EC1H120J	[F]		
	4030017380	S.CER ECJ0EC1H050B	[G]		
	4030017380	S.CER ECJ0EC1H050B	[I]		
	4030017380	S.CER ECJ0EC1H050B	[L]		
	4030017370	S.CER ECJ0EC1H3R5B	[H]		
	4030017370	S.CER ECJ0EC1H3R5B	[C]		
	4030017380	S.CER ECJ0EC1H050B	[O]		
4030017380	S.CER ECJ0EC1H050B	[L]			
4030017380	S.CER ECJ0EC1H050B	[D]			
C244	4030017420	S.CER ECJ0EC1H470J	[P]	B 61/66.2 B 65.1/70.5 B 69.9/71.1 B 63.2/65 B 70.2/66.9	
	4030017730	S.CER ECJ0EB1E471K	[E]		
	4030017420	S.CER ECJ0EC1H470J	[F]		
	4030017420	S.CER ECJ0EC1H470J	[G]		
	4030017530	S.CER ECJ0EC1H0R5B	[I]		
	4030017530	S.CER ECJ0EC1H0R5B	[L]		
	4030017520	S.CER ECJ0EC1H0R3B	[H]		
	4030017520	S.CER ECJ0EC1H0R3B	[C]		
	4030017530	S.CER ECJ0EC1H0R5B	[O]		
	4030017530	S.CER ECJ0EC1H0R5B	[L]		
	4030017530	S.CER ECJ0EC1H0R5B	[D]		
	4030017530	S.CER ECJ0EC1H0R5B	[P]		
	4030017530	S.CER ECJ0EC1H0R5B	[E]		
	4030017530	S.CER ECJ0EC1H0R5B	[F]		
	4030017530	S.CER ECJ0EC1H0R5B	[G]		
	4030017530	S.CER ECJ0EC1H0R5B	[I]		
C252	4030017460	S.CER ECJ0EB1E102K	[G]	B 6.5/33.5 B 16.4/42.4 B 9.5/35.7	
	4030017460	S.CER ECJ0EB1E102K	[I]		
	4030017340	S.CER ECJ0EC1H010B	[L]		
	4030017340	S.CER ECJ0EC1H010B	[D]		
	4030017340	S.CER ECJ0EC1H010B	[P]		
	4030017460	S.CER ECJ0EB1E102K	[E]		
	4030017460	S.CER ECJ0EB1E102K	[F]		
	4030017460	S.CER ECJ0EB1E102K	[G]		
	4030017460	S.CER ECJ0EB1E102K	[I]		
	4030017460	S.CER ECJ0EB1E102K	[L]		
	4030017460	S.CER ECJ0EB1E102K	[H]		
	4030017460	S.CER ECJ0EB1E102K	[C]		
C258	4030017460	S.CER ECJ0EB1E102K	[O]	B 8.1/34.4 B 9/36.9 B 5.4/36.4 B 6.9/40.3 B 7.3/39.4 B 69/71.1 B 72.3/69.4 B 73.5/66.9 B 71.1/70.5	
	4030017460	S.CER ECJ0EB1E102K	[L]		
	4030016790	S.CER ECJ0EB1C103K	[D]		
	4030017420	S.CER ECJ0EC1H470J	[P]		
	4030017460	S.CER ECJ0EB1E102K	[E]		
	4030017460	S.CER ECJ0EB1E102K	[F]		
	4030017360	S.CER ECJ0EC1H030B	[G]		
	4030017550	S.CER ECJ0EC1H1R5B	[I]		
	4030017580	S.CER ECJ0EC1H060C	[L]		
	4030017580	S.CER ECJ0EC1H060C	[D]		
	4030017570	S.CER ECJ0EC1H040B	[P]		
	4030017580	S.CER ECJ0EC1H060C	[E]		
4030017580	S.CER ECJ0EC1H060C	[F]			
4030017580	S.CER ECJ0EC1H060C	[G]			
4030017580	S.CER ECJ0EC1H060C	[I]			
4030017580	S.CER ECJ0EC1H060C	[L]			
4030017580	S.CER ECJ0EC1H060C	[H]			
4030017570	S.CER ECJ0EC1H040B	[C]			
4030017570	S.CER ECJ0EC1H040B	[O]			
4030017570	S.CER ECJ0EC1H040B	[L]			
4030017570	S.CER ECJ0EC1H040B	[D]			
4030017580	S.CER ECJ0EC1H060C	[P]			
4030017580	S.CER ECJ0EC1H060C	[E]			
4030017580	S.CER ECJ0EC1H060C	[F]			
4030017580	S.CER ECJ0EC1H060C	[G]			
4030017580	S.CER ECJ0EC1H060C	[I]			
4030017570	S.CER ECJ0EC1H040B	[L]			
4030017570	S.CER ECJ0EC1H040B	[H]			

[MAIN-A UNIT] (For MDC compatible versions)

REF NO.	PARTS NO.	DESCRIPTION	M.	H/V LOCATION
C271	4030017340	S.CER ECJ0EC1H010B	[C]	B 10.9/36.9
	4030017340	S.CER ECJ0EC1H010B	[O]	
	4030017340	S.CER ECJ0EC1H010B	[L]	
	4030017520	S.CER ECJ0EC1H0R3B	[D]	
	4030017520	S.CER ECJ0EC1H0R3B	[P]	
	4030017340	S.CER ECJ0EC1H010B	[E]	
	4030017340	S.CER ECJ0EC1H010B	[F]	
	4030017340	S.CER ECJ0EC1H010B	[G]	
	4030017340	S.CER ECJ0EC1H010B	[I]	
	4030017340	S.CER ECJ0EC1H010B	[L]	
	4030017340	S.CER ECJ0EC1H010B	[H]	
	4030017340	S.CER ECJ0EC1H010B	[C]	
	4030017340	S.CER ECJ0EC1H010B	[O]	
	4030017340	S.CER ECJ0EC1H010B	[L]	
	4030017340	S.CER ECJ0EC1H010B	[D]	
	4030017340	S.CER ECJ0EC1H010B	[P]	
C272	4030016930	S.CER ECJ0EB1A104K	[C]	B 12.2/43.3 B 12.8/40.8 B 3.9/41 B 13.5/39.1 B 10/41.9 B 13.5/39.1 B 9.5/43.2
	4030016930	S.CER ECJ0EB1A104K	[O]	
	4030016930	S.CER ECJ0EB1A104K	[L]	
	4030017460	S.CER ECJ0EB1E102K	[D]	
	4030017420	S.CER ECJ0EC1H470J	[P]	
	4030017590	S.CER ECJ0EC1H070C	[E]	
	4030017460	S.CER ECJ0EB1E102K	[F]	
	4030017590	S.CER ECJ0EC1H070C	[G]	
	4030017590	S.CER ECJ0EC1H070C	[I]	
	4030017590	S.CER ECJ0EC1H070C	[L]	
	4030017590	S.CER ECJ0EC1H070C	[H]	
	4030017580	S.CER ECJ0EC1H060C	[C]	
C279	4030017410	S.CER ECJ0EC1H240J	[O]	B 6.7/45.2 B 10/46.8
	4030017560	S.CER ECJ0EC1H2R5B	[L]	
	4030017560	S.CER ECJ0EC1H2R5B	[D]	
	4030017350	S.CER ECJ0EC1H020B	[P]	
	4030017560	S.CER ECJ0EC1H2R5B	[E]	
	4030017560	S.CER ECJ0EC1H2R5B	[F]	
	4030017560	S.CER ECJ0EC1H2R5B	[G]	
	4030017560	S.CER ECJ0EC1H2R5B	[I]	
	4030017560	S.CER ECJ0EC1H2R5B	[L]	
	4030017350	S.CER ECJ0EC1H020B	[H]	
	4030017420	S.CER ECJ0EC1H470J	[C]	
	4030017420	S.CER ECJ0EC1H470J	[O]	
	4030017420	S.CER ECJ0EC1H470J	[L]	
	4030017420	S.CER ECJ0EC1H470J	[D]	
	4030017420	S.CER ECJ0EC1H470J	[P]	
	4030017420	S.CER ECJ0EC1H470J	[E]	
C280	4030017610	S.CER ECJ0EC1H090C	[C]	B 95.5/36.2 B 102.2/41.1 B 95.8/47 B 97.8/37.2 B 94.9/44.7 B 93.8/44.7 B 93.8/40 B 4.1/47.4 B 18.8/34.4
	4030017610	S.CER ECJ0EC1H090C	[O]	
	4030017610	S.CER ECJ0EC1H090C	[L]	
	4030017600	S.CER ECJ0EC1H080C	[D]	
	4030017600	S.CER ECJ0EC1H080C	[P]	
	4030017610	S.CER ECJ0EC1H090C	[E]	
	4030017610	S.CER ECJ0EC1H090C	[F]	
	4030017610	S.CER ECJ0EC1H090C	[G]	
	4030017610	S.CER ECJ0EC1H090C	[I]	
	4030017610	S.CER ECJ0EC1H090C	[L]	
	4030017600	S.CER ECJ0EC1H080C	[H]	
	4030017600	S.CER ECJ0EC1H080C	[C]	
	4030017610	S.CER ECJ0EC1H090C	[O]	
	4030017610	S.CER ECJ0EC1H090C	[L]	
	4030017610	S.CER ECJ0EC1H090C	[D]	
	4030017610	S.CER ECJ0EC1H090C	[P]	
C281	4030017420	S.CER ECJ0EC1H470J	[E]	B 73.9/75.6
	4030017420	S.CER ECJ0EC1H470J	[F]	
	4030017420	S.CER ECJ0EC1H470J	[G]	
	4030017420	S.CER ECJ0EC1H470J	[I]	
	4030017420	S.CER ECJ0EC1H470J	[L]	
	4030017570	S.CER ECJ0EC1H040B	[H]	
	4030017570	S.CER ECJ0EC1H040B	[C]	
	4030017580	S.CER ECJ0EC1H060C	[O]	
	4030017580	S.CER ECJ0EC1H060C	[L]	
	4030017570	S.CER ECJ0EC1H040B	[D]	
	4030017570	S.CER ECJ0EC1H040B	[P]	
	4030017580	S.CER ECJ0EC1H060C	[E]	
	4030017580	S.CER ECJ0EC1H060C	[F]	
	4030017580	S.CER ECJ0EC1H060C	[G]	
	4030017580	S.CER ECJ0EC1H060C	[I]	
	4030017580	S.CER ECJ0EC1H060C	[L]	
C290	4030017420	S.CER ECJ0EC1H470J	[C]	T 69.2/76.6 T 70.3/76.6 T 58.4/69.9 T 57.9/80.3 B 58.4/67.9 B 6.7/48.4 B 9.5/50.4
	4030017730	S.CER ECJ0EB1E471K	[O]	
	4030017420	S.CER ECJ0EC1H470J	[L]	
	4510008530	S.ELE EEE1HA2R2SR	[D]	
	4030017460	S.CER ECJ0EB1E102K	[P]	
	4030017410	S.CER ECJ0EC1H240J	[E]	
	4030017590	S.CER ECJ0EC1H070C	[F]	
	4030017590	S.CER ECJ0EC1H070C	[G]	
	4030017590	S.CER ECJ0EC1H070C	[I]	
	4030017590	S.CER ECJ0EC1H070C	[L]	
	4030017590	S.CER ECJ0EC1H070C	[H]	
	4030017590	S.CER ECJ0EC1H070C	[C]	
	4030017590	S.CER ECJ0EC1H070C	[O]	
	4030017590	S.CER ECJ0EC1H070C	[L]	
	4030017590	S.CER ECJ0EC1H070C	[D]	
	4030017590	S.CER ECJ0EC1H070C	[P]	
C291	4030017590	S.CER ECJ0EC1H070C	[E]	B 11.7/48.8 B 4.1/44.7 B 127.6/31.4 B 90.5/43
	4030017590	S.CER ECJ0EC1H070C	[F]	
	4030017590	S.CER ECJ0EC1H070C	[G]	
	4030017590	S.CER ECJ0EC1H070C	[I]	
	4030017590	S.CER ECJ0EC1H070C	[L]	
	4030017590	S.CER ECJ0EC1H070C	[H]	
C300	4030017590	S.CER ECJ0EC1H070C	[C]	T 27.6/79.2
	4030017590	S.CER ECJ0EC1H070C	[O]	
	4030017590	S.CER ECJ0EC1H070C	[L]	
	4030017590	S.CER ECJ0EC1H070C	[D]	
	4030017590	S.CER ECJ0EC1H070C	[P]	
	4030017590	S.CER ECJ0EC1H070C	[E]	
C301	4030017590	S.CER ECJ0EC1H070C	[F]	
	4030017590	S.CER ECJ0EC1H070C	[G]	
	4030017590	S.CER ECJ0EC1H070C	[I]	
	4030017590	S.CER ECJ0EC1H070C	[L]	
	4030017590	S.CER ECJ0EC1H070C	[H]	
	4030017590	S.CER ECJ0EC1H070C	[C]	
C302	4030017460	S.CER ECJ0EB1E102K	[O]	
	4030016930	S.CER ECJ0EB1A104K	[L]	
	4030017420	S.CER ECJ0EC1H470J	[D]	
	4030017420	S.CER ECJ0EC1H470J	[P]	
	4030017420	S.CER ECJ0EC1H470J	[E]	
	4030017420	S.CER ECJ0EC1H470J	[F]	
C303	4030017420	S.CER ECJ0EC1H470J	[G]	
	4030017420	S.CER ECJ0EC1H470J	[I]	
	4030017420	S.CER ECJ0EC1H470J	[L]	
	4030017420	S.CER ECJ0EC1H470J	[H]	
	4030017420	S.CER ECJ0EC1H470J	[C]	
	4030017420	S.CER ECJ0EC1H470J	[O]	
C304	4030017420	S.CER ECJ0EC1H470J	[L]	
	4030017420	S.CER ECJ0EC1H470J	[D]	
	4030017420	S.CER ECJ0EC1H470J	[P]	
	4030017420	S.CER ECJ0EC1H470J	[E]	
	4030017420	S.CER ECJ0EC1H470J	[F]	
	4030017420	S.CER ECJ0EC1H470J	[I]	
C305	4030011050	S.CER GRM31M3C2H3R0CY21L (GRM42-6 CJ)	[L]	
	4030011050	S.CER GRM31M3C2H3R0CY21L (GRM42-6 CJ)	[D]	
	4030011050	S.CER GRM31M3C2H3R0CY21L (GRM42-6 CJ)	[P]	
	4030011050	S.CER GRM31M3C2H3R0CY21L (GRM42-6 CJ)	[E]	
	4030011050	S.CER GRM31M3C2H3R0CY21L (GRM42-6 CJ)	[F]	
	4030011050	S.CER GRM31M3C2H3R0CY21L (GRM42-6 CJ)	[I]	

M.=Mounted side

[MAIN-A UNIT] (For MDC compatible versions)

REF NO.	PARTS NO.	DESCRIPTION		M.	H/V LOCATION		
C306	4030011040	S.CER	GRM31M4C2H2R0CY21L (GRM42-6 CK)	[C] T	25.6/76.6		
	4030011050	S.CER	GRM31M3C2H3R0CY21L (GRM42-6 CJ)	[O]			
	4030011050	S.CER	GRM31M3C2H3R0CY21L (GRM42-6 CJ)	[L]			
	4030011030	S.CER	GRM31M4C2H1R5CY21L (GRM42-6 CK)	[D]			
	4030011030	S.CER	GRM31M4C2H1R5CY21L (GRM42-6 CK)	[P]			
	4030011040	S.CER	GRM31M4C2H2R0CY21L (GRM42-6 CK)	[E]			
	4030011040	S.CER	GRM31M4C2H2R0CY21L (GRM42-6 CK)	[F]			
	4030011040	S.CER	GRM31M4C2H2R0CY21L (GRM42-6 CK)	[G]			
	4030011050	S.CER	GRM31M3C2H3R0CY21L (GRM42-6 CJ)	[L]			
	4030011040	S.CER	GRM31M4C2H2R0CY21L (GRM42-6 CK)	[I]			
	4030011030	S.CER	GRM31M4C2H1R5CY21L (GRM42-6 CK)	[H]			
	C307	4030011040	S.CER	GRM31M4C2H2R0CY21L (GRM42-6 CK)		[C] T	25.6/73.8
		4030011040	S.CER	GRM31M4C2H2R0CY21L (GRM42-6 CK)		[O]	
4030011040		S.CER	GRM31M4C2H2R0CY21L (GRM42-6 CK)	[L]			
4030011040		S.CER	GRM31M4C2H2R0CY21L (GRM42-6 CK)	[D]			
4030011020		S.CER	GRM31M4C2H1R0CY21L (GRM42-6 CK)	[P]			
4030011040		S.CER	GRM31M4C2H2R0CY21L (GRM42-6 CK)	[E]			
4030011040		S.CER	GRM31M4C2H2R0CY21L (GRM42-6 CK)	[F]			
4030011040		S.CER	GRM31M4C2H2R0CY21L (GRM42-6 CK)	[G]			
4030011040		S.CER	GRM31M4C2H2R0CY21L (GRM42-6 CK)	[L]			
4030011040		S.CER	GRM31M4C2H2R0CY21L (GRM42-6 CK)	[I]			
4030011040		S.CER	GRM31M4C2H2R0CY21L (GRM42-6 CK)	[H]			
C308		4030011050	S.CER	GRM31M3C2H3R0CY21L (GRM42-6 CJ)	[C] T	27.6/71.2	
		4030011040	S.CER	GRM31M4C2H2R0CY21L (GRM42-6 CK)	[O]		
	4030011040	S.CER	GRM31M4C2H2R0CY21L (GRM42-6 CK)	[L]			
	4030011040	S.CER	GRM31M4C2H2R0CY21L (GRM42-6 CK)	[D]			
	4030011020	S.CER	GRM31M4C2H1R0CY21L (GRM42-6 CK)	[P]			
	4030011050	S.CER	GRM31M3C2H3R0CY21L (GRM42-6 CJ)	[E]			
	4030011050	S.CER	GRM31M3C2H3R0CY21L (GRM42-6 CJ)	[F]			
	4030011050	S.CER	GRM31M3C2H3R0CY21L (GRM42-6 CJ)	[G]			
	4030011040	S.CER	GRM31M4C2H2R0CY21L (GRM42-6 CK)	[L]			
	4030011050	S.CER	GRM31M3C2H3R0CY21L (GRM42-6 CJ)	[I]			
	4030011040	S.CER	GRM31M4C2H2R0CY21L (GRM42-6 CK)	[H]			
	C309	4030017460	S.CER	ECJ0EB1E102K	T		71.4/76.6
		4030017420	S.CER	ECJ0EC1H470J	T		
4030017460		S.CER	ECJ0EB1E102K	T			
4030017730		S.CER	ECJ0EB1E471K	T			
4510008680		S.ELE	EEE1EA220SP	T			
4030017420		S.CER	ECJ0EC1H470J	B			
4030017460		S.CER	ECJ0EB1E102K	B			
4030016790		S.CER	ECJ0EB1C103K	B			
4030016970		S.CER	ECJ0EB1C223K	[C] B			
4030016930		S.CER	ECJ0EB1A104K	[O]			
4030016930		S.CER	ECJ0EB1A104K	[L]			
4030016970		S.CER	ECJ0EB1C223K	[D]			
4030016930		S.CER	ECJ0EB1A104K	[P]			
4030016970		S.CER	ECJ0EB1C223K	[E]			
4030016970		S.CER	ECJ0EB1C223K	[F]			
4030016930		S.CER	ECJ0EB1A104K	[G]			
4030016970		S.CER	ECJ0EB1C223K	[H]			
C318	4030017460	S.CER	ECJ0EB1E102K	[C] T	34.9/66.7		
	4030017460	S.CER	ECJ0EB1E102K	[D]			
	4030017460	S.CER	ECJ0EB1E102K	[E]			
	4030017460	S.CER	ECJ0EB1E102K	[F]			
	4030017460	S.CER	ECJ0EB1E102K	[G]			
	4030017460	S.CER	ECJ0EB1E102K	[I]			
	4030017460	S.CER	ECJ0EB1E102K	[H]			
	4030017460	S.CER	ECJ0EB1E102K	[J]			
C319	4030017460	S.CER	ECJ0EB1E102K	[C] B	45.3/66.9		
	4030017460	S.CER	ECJ0EB1E102K	[D]			
	4030017460	S.CER	ECJ0EB1E102K	[E]			
	4030017460	S.CER	ECJ0EB1E102K	[F]			
	4030017460	S.CER	ECJ0EB1E102K	[G]			
	4030017460	S.CER	ECJ0EB1E102K	[I]			
	4030017460	S.CER	ECJ0EB1E102K	[H]			
	4030017460	S.CER	ECJ0EB1E102K	[J]			
C320	4030017510	S.CER	ECJ0EC1H680J	B	13.9/52.1		
	4030017460	S.CER	ECJ0EB1E102K	B			

[MAIN-A UNIT] (For MDC compatible versions)

REF NO.	PARTS NO.	DESCRIPTION		M.	H/V LOCATION		
C322	4030017350	S.CER	ECJ0EC1H020B	[C] B	21.2/51.2		
	4030017350	S.CER	ECJ0EC1H020B	[O]			
	4030017350	S.CER	ECJ0EC1H020B	[L]			
	4030017530	S.CER	ECJ0EC1H0R5B	[D]			
	4030017530	S.CER	ECJ0EC1H0R5B	[P]			
	4030017350	S.CER	ECJ0EC1H020B	[E]			
	4030017350	S.CER	ECJ0EC1H020B	[F]			
	4030017350	S.CER	ECJ0EC1H020B	[G]			
	4030017350	S.CER	ECJ0EC1H020B	[I]			
	4030017350	S.CER	ECJ0EC1H020B	[J]			
	4030017530	S.CER	ECJ0EC1H0R5B	[H]			
	C324	4030017420	S.CER	ECJ0EC1H470J		T	90.1/41.7
		4030017460	S.CER	ECJ0EB1E102K		B	
4030017420		S.CER	ECJ0EC1H470J	T			
4030017460		S.CER	ECJ0EB1E102K	B			
4030017420		S.CER	ECJ0EC1H470J	B			
4030017400		S.CER	ECJ0EC1H220J	B			
4510008540		S.ELE	EEE1CA100SR	T			
4510008540		S.ELE	EEE1CA100SR	T			
4030017780		S.CER	ECJ0EB1E472K	B			
4030017460		S.CER	ECJ0EB1E102K	B			
4030017460		S.CER	ECJ0EB1E102K	B			
4030011030		S.CER	GRM31M4C2H1R5CY21L (GRM42-6 CK)	[O] T			
4030011030		S.CER	GRM31M4C2H1R5CY21L (GRM42-6 CK)	[L]			
C337	4030017600	S.CER	ECJ0EC1H080C	[C] B	28.2/53.7		
	4030017600	S.CER	ECJ0EC1H080C	[O]			
	4030017600	S.CER	ECJ0EC1H080C	[L]			
	4030017380	S.CER	ECJ0EC1H050B	[D]			
	4030017380	S.CER	ECJ0EC1H050B	[P]			
	4030017600	S.CER	ECJ0EC1H080C	[E]			
	4030017600	S.CER	ECJ0EC1H080C	[F]			
	4030017600	S.CER	ECJ0EC1H080C	[G]			
	4030017600	S.CER	ECJ0EC1H080C	[I]			
	4030017380	S.CER	ECJ0EC1H050B	[H]			
	4510008540	S.ELE	EEE1CA100SR	T			
	4030017460	S.CER	ECJ0EB1E102K	T			
	4030017460	S.CER	ECJ0EB1E102K	T			
4030016790	S.CER	ECJ0EB1C103K	T				
4030017200	S.CER	GRM31BR32J102KY01L (GHM1030 R)	T				
C343	4030011050	S.CER	GRM31M3C2H3R0CY21L (GRM42-6 CJ)	[C] T	26.8/61.7		
	4030011050	S.CER	GRM31M3C2H3R0CY21L (GRM42-6 CJ)	[O]			
	4030011050	S.CER	GRM31M3C2H3R0CY21L (GRM42-6 CJ)	[L]			
	4030011040	S.CER	GRM31M4C2H2R0CY21L (GRM42-6 CK)	[D]			
	4030011040	S.CER	GRM31M4C2H2R0CY21L (GRM42-6 CK)	[P]			
	4030011050	S.CER	GRM31M3C2H3R0CY21L (GRM42-6 CJ)	[E]			
	4030011050	S.CER	GRM31M3C2H3R0CY21L (GRM42-6 CJ)	[F]			
	4030011050	S.CER	GRM31M3C2H3R0CY21L (GRM42-6 CJ)	[G]			
	4030011050	S.CER	GRM31M3C2H3R0CY21L (GRM42-6 CJ)	[L]			
	4030011050	S.CER	GRM31M3C2H3R0CY21L (GRM42-6 CJ)	[I]			
	4030011040	S.CER	GRM31M4C2H2R0CY21L (GRM42-6 CK)	[H]			
	C344	4030011050	S.CER	GRM31M3C2H3R0CY21L (GRM42-6 CJ)		T	20.9/63.3
		4030011050	S.CER	GRM31M3C2H3R0CY21L (GRM42-6 CJ)		[C] T	
C345	4030011050	S.CER	GRM31M3C2H3R0CY21L (GRM42-6 CJ)	[C] T	18.3/58.5		
	4030011060	S.CER	GRM31M2C2H4R0CY21L (GRM42-6 CH)	[O]			
	4030011060	S.CER	GRM31M2C2H4R0CY21L (GRM42-6 CH)	[L]			
	4030011050	S.CER	GRM31M3C2H3R0CY21L (GRM42-6 CJ)	[D]			
	4030011050	S.CER	GRM31M3C2H3R0CY21L (GRM42-6 CJ)	[P]			
	4030011050	S.CER	GRM31M3C2H3R0CY21L (GRM42-6 CJ)	[E]			
	4030011050	S.CER	GRM31M3C2H3R0CY21L (GRM42-6 CJ)	[F]			
	4030011050	S.CER	GRM31M3C2H3R0CY21L (GRM42-6 CJ)	[G]			
	4030011060	S.CER	GRM31M2C2H4R0CY21L (GRM42-6 CH)	[L]			
	4030011050	S.CER	GRM31M3C2H3R0CY21L (GRM42-6 CJ)	[I]			
	4030011050	S.CER	GRM31M3C2H3R0CY21L (GRM42-6 CJ)	[H]			
	C346	4030011070	S.CER	GRM31M2C2H5R0CY21L (GRM42-6 CH)		T	34.3/58.3
		4030017520	S.CER	ECJ0EC1H0R3B		B	
4030017460		S.CER	ECJ0EB1E102K	B			
4030011060		S.CER	GRM31M2C2H4R0CY21L (GRM42-6 CH)	T			
C347	4030017520	S.CER	ECJ0EC1H0R3B	T	33.7/61.7		
	4030017460	S.CER	ECJ0EB1E102K	B			
	4030011060	S.CER	GRM31M2C2H4R0CY21L (GRM42-6 CH)	T			
C348	4030017460	S.CER	ECJ0EB1E102K	T	39.7/61.7		
	4030011060	S.CER	GRM31M2C2H4R0CY21L (GRM42-6 CH)	T			

M.=Mounted side (T: Mounted on the Top side, B: Mounted on the Bottom side) S.=Surface mount

[MAIN-A UNIT] (For MDC compatible versions)

REF NO.	PARTS NO.	DESCRIPTION	M.	H/V LOCATION
C350	4030011070	S.CER GRM31M2C2H5R0CY21L (GRM42-6 CH)	[C] T	12.9/65.2
	4030011060	S.CER GRM31M2C2H4R0CY21L (GRM42-6 CH)	[O]	
	4030011060	S.CER GRM31M2C2H4R0CY21L (GRM42-6 CH)	[L]	
	4030011050	S.CER GRM31M3C2H3R0CY21L (GRM42-6 CJ)	[D]	
	4030011050	S.CER GRM31M3C2H3R0CY21L (GRM42-6 CJ)	[P]	
	4030011070	S.CER GRM31M2C2H5R0CY21L (GRM42-6 CH)	[E]	
	4030011070	S.CER GRM31M2C2H5R0CY21L (GRM42-6 CH)	[F]	
	4030011070	S.CER GRM31M2C2H5R0CY21L (GRM42-6 CH)	[G]	
	4030011060	S.CER GRM31M2C2H4R0CY21L (GRM42-6 CH)	[L]	
	4030011070	S.CER GRM31M2C2H5R0CY21L (GRM42-6 CH)	[I]	
	4030011050	S.CER GRM31M3C2H3R0CY21L (GRM42-6 CJ)	[H]	
C351	4030016930	S.CER ECJ0EB1A104K	T	110.8/66.5
C352	4030017460	S.CER ECJ0EB1E102K	B	124.6/59.7
C353	4550006250	S.TAN TEESVA 1A 106M8R	B	124/61.3
C354	4550006250	S.TAN TEESVA 1A 106M8R	B	112.9/61.7
C355	4030017420	S.CER ECJ0EC1H470J	B	112.6/60.1
C356	4030011070	S.CER GRM31M2C2H5R0CY21L (GRM42-6 CH)	[C] T	15.7/65.2
	4030011070	S.CER GRM31M2C2H5R0CY21L (GRM42-6 CH)	[O]	
	4030011070	S.CER GRM31M2C2H5R0CY21L (GRM42-6 CH)	[L]	
	4030011060	S.CER GRM31M2C2H4R0CY21L (GRM42-6 CH)	[D]	
	4030011060	S.CER GRM31M2C2H4R0CY21L (GRM42-6 CH)	[P]	
	4030011070	S.CER GRM31M2C2H5R0CY21L (GRM42-6 CH)	[E]	
	4030011070	S.CER GRM31M2C2H5R0CY21L (GRM42-6 CH)	[F]	
	4030011070	S.CER GRM31M2C2H5R0CY21L (GRM42-6 CH)	[G]	
	4030011070	S.CER GRM31M2C2H5R0CY21L (GRM42-6 CH)	[L]	
	4030011070	S.CER GRM31M2C2H5R0CY21L (GRM42-6 CH)	[I]	
	4030011060	S.CER GRM31M2C2H4R0CY21L (GRM42-6 CH)	[H]	
C357	4030011060	S.CER GRM31M2C2H4R0CY21L (GRM42-6 CH)	[C] T	4.2/63.3
	4030011060	S.CER GRM31M2C2H4R0CY21L (GRM42-6 CH)	[O]	
	4030011060	S.CER GRM31M2C2H4R0CY21L (GRM42-6 CH)	[L]	
	4030011030	S.CER GRM31M4C2H1R5CY21L (GRM42-6 CK)	[D]	
	4030011030	S.CER GRM31M4C2H1R5CY21L (GRM42-6 CK)	[P]	
	4030011060	S.CER GRM31M2C2H4R0CY21L (GRM42-6 CH)	[E]	
	4030011060	S.CER GRM31M2C2H4R0CY21L (GRM42-6 CH)	[F]	
	4030011060	S.CER GRM31M2C2H4R0CY21L (GRM42-6 CH)	[G]	
	4030011060	S.CER GRM31M2C2H4R0CY21L (GRM42-6 CH)	[L]	
	4030011060	S.CER GRM31M2C2H4R0CY21L (GRM42-6 CH)	[I]	
	4030011030	S.CER GRM31M4C2H1R5CY21L (GRM42-6 CK)	[H]	
C358	4030009530	S.CER C1608 CH 1H 030B-T	B	10.7/61.4
C359	4030006860	S.CER C1608 JB 1H 102K-T	B	9.9/59.5
C360	4030017460	S.CER ECJ0EB1E102K	B	8.7/54
C361	4030017460	S.CER ECJ0EB1E102K	T	101.3/52.9
C362	4030017460	S.CER ECJ0EB1E102K	T	106.3/21.1
C363	4510008540	S.ELE EEE1CA100SR	T	139.1/31.9
C365	4550007650	S.TAN F931V105MAABMA	B	107.7/65.1
C366	4550007650	S.TAN F931V105MAABMA	B	105.6/65.1
C367	4550007650	S.TAN F931V105MAABMA	B	103.5/65.1
C368	4550007650	S.TAN F931V105MAABMA	B	101.4/65.1
C369	4030011070	S.CER GRM31M2C2H5R0CY21L (GRM42-6 CH)	T	15.3/81.1
C370	4030011050	S.CER GRM31M3C2H3R0CY21L (GRM42-6 CJ)	[C] T	5.3/81.1
	4030011060	S.CER GRM31M2C2H4R0CY21L (GRM42-6 CH)	[O]	
	4030011060	S.CER GRM31M2C2H4R0CY21L (GRM42-6 CH)	[L]	
	4030011040	S.CER GRM31M4C2H2R0CY21L (GRM42-6 CK)	[D]	
	4030011040	S.CER GRM31M4C2H2R0CY21L (GRM42-6 CK)	[P]	
	4030011050	S.CER GRM31M3C2H3R0CY21L (GRM42-6 CJ)	[E]	
	4030011050	S.CER GRM31M3C2H3R0CY21L (GRM42-6 CJ)	[F]	
	4030011050	S.CER GRM31M3C2H3R0CY21L (GRM42-6 CJ)	[G]	
	4030011060	S.CER GRM31M2C2H4R0CY21L (GRM42-6 CH)	[L]	
	4030011050	S.CER GRM31M3C2H3R0CY21L (GRM42-6 CJ)	[I]	
	4030011040	S.CER GRM31M4C2H2R0CY21L (GRM42-6 CK)	[H]	

[MAIN-A UNIT] (For MDC compatible versions)

REF NO.	PARTS NO.	DESCRIPTION	M.	H/V LOCATION
C371	4030017460	S.CER ECJ0EB1E102K	B	2.9/80.8
C372	4030006860	S.CER C1608 JB 1H 102K-T	B	8.3/79.6
C373	4030016790	S.CER ECJ0EB1C103K	B	130.6/51.7
C374	4030016930	S.CER ECJ0EB1A104K	B	132.8/51.3
C375	4030016930	S.CER ECJ0EB1A104K	B	132.4/54.6
C377	4030017460	S.CER ECJ0EB1E102K	T	104.7/52.9
C378	4030017460	S.CER ECJ0EB1E102K	B	105.1/80.9
C379	4030016930	S.CER ECJ0EB1A104K	B	110.5/84.5
C380	4030017460	S.CER ECJ0EB1E102K	T	120.9/85.3
C381	4030016790	S.CER ECJ0EB1C103K	B	135.9/70.5
C382	4510008680	S.ELE EEE1EA220SP	T	68.6/63.4
C383	4030017460	S.CER ECJ0EB1E102K	B	135.9/71.5
C384	4510008870	S.ELE EEE1AA471UP	T	129.9/64.9
C386	4030016930	S.CER ECJ0EB1A104K	B	138.8/53.7
C387	4030017730	S.CER ECJ0EB1E471K	B	135.4/51.3
C388	4030018860	S.CER ECJ0EB0J105K	B	138.7/52.2
C389	4030016930	S.CER ECJ0EB1A104K	B	139.1/48.5
C390	4030016930	S.CER ECJ0EB1A104K	B	137.8/55.4
C391	4030016930	S.CER ECJ0EB1A104K	T	107.6/80
C392	4030017460	S.CER ECJ0EB1E102K	B	131.3/74.7
C393	4030017460	S.CER ECJ0EB1E102K	B	98.3/79.2
C394	4030017420	S.CER ECJ0EC1H470J	B	115.4/68
C395	4030017460	S.CER ECJ0EB1E102K	B	128.8/76.7
C397	4030017460	S.CER ECJ0EB1E102K	B	100.8/86.3
C398	4030017420	S.CER ECJ0EC1H470J	B	99.8/86.3
C399	4030018860	S.CER ECJ0EB0J105K	B	134.5/34.8
C400	4030016930	S.CER ECJ0EB1A104K	B	136.9/37
C411	4510008780	S.ELE EEE1EA471P	T	117.2/63.6
C412	4510008780	S.ELE EEE1EA471P	T	132.7/54.3
C413	4030018900	S.CER ECJ0EB0J474K	B	135.1/46.8
C414	4510008540	S.ELE EEE1CA100SR	T	113.9/50.1
C415	4030016930	S.CER ECJ0EB1A104K	B	103/23.8
C416	4030016930	S.CER ECJ0EB1A104K	B	121/51.5
C417	4030016790	S.CER ECJ0EB1C103K	B	113.8/51.7
C418	4030017460	S.CER ECJ0EB1E102K	B	102.3/57.9
C419	4030016790	S.CER ECJ0EB1C103K	T	42.3/59.1
C420	4030017420	S.CER ECJ0EC1H470J	T	39.8/37.2
C421	4030016930	S.CER ECJ0EB1A104K	B	36.1/24.4
C422	4030016790	S.CER ECJ0EB1C103K	T	42.9/33
C423	4030007090	S.CER C1608 CH 1H 470J-T	T	33.6/38.9
C424	4030016930	S.CER ECJ0EB1A104K	T	33.6/41.3
C425	4030017460	S.CER ECJ0EB1E102K	B	134.8/66.1
C426	4030011030	S.CER GRM31M4C2H1R5CY21L (GRM42-6 CK)	[C] T	29.2/75.2
	4030011020	S.CER GRM31M4C2H1R0CY21L (GRM42-6 CK)	[O]	
	4030011020	S.CER GRM31M4C2H1R0CY21L (GRM42-6 CK)	[L]	
	4030011020	S.CER GRM31M4C2H1R0CY21L (GRM42-6 CK)	[D]	
	4030011020	S.CER GRM31M4C2H1R0CY21L (GRM42-6 CK)	[P]	
	4030011030	S.CER GRM31M4C2H1R5CY21L (GRM42-6 CK)	[E]	
	4030011030	S.CER GRM31M4C2H1R5CY21L (GRM42-6 CK)	[F]	
	4030011020	S.CER GRM31M4C2H1R0CY21L (GRM42-6 CK)	[G]	
	4030011020	S.CER GRM31M4C2H1R0CY21L (GRM42-6 CK)	[L]	
	4030011030	S.CER GRM31M4C2H1R5CY21L (GRM42-6 CK)	[I]	
	4030011020	S.CER GRM31M4C2H1R0CY21L (GRM42-6 CK)	[H]	
C427	4030017530	S.CER ECJ0EC1H0R5B	B	19.5/36.6
C428	4030018110	S.CER ECJ0EB1H272K	T	25.6/9.1
C429	4030016790	S.CER ECJ0EB1C103K	B	138.4/51
C430	4030018860	S.CER ECJ0EB0J105K	B	110.4/10.7
C431	4030017460	S.CER ECJ0EB1E102K	B	114.2/11.7
C432	4030017420	S.CER ECJ0EC1H470J	B	119.4/69.8
C433	4030017460	S.CER ECJ0EB1E102K	B	119.4/70.8
C435	4030016930	S.CER ECJ0EB1A104K	T	8.9/7.8
C436	4030016930	S.CER ECJ0EB1A104K	B	56/38.5
C437	4030016930	S.CER ECJ0EB1A104K	B	25.1/8.8
C438	4030016930	S.CER ECJ0EB1A104K	B	32.8/5.5
C440	4030016930	S.CER ECJ0EB1A104K	B	25.1/7.2
C441	4030016930	S.CER ECJ0EB1A104K	B	26/5.6
C442	4030016930	S.CER ECJ0EB1A104K	B	26.9/8.8
C443	4030017040	S.CER ECJ0EB1A333K	B	34.5/8.2
C444	4030016930	S.CER ECJ0EB1A104K	T	22.3/10.2
C445	4030017650	S.CER ECJ0EC1H270J	B	32.8/6.4
C446	4030017590	S.CER ECJ0EC1H070C	T	23/20.4
C447	4030017340	S.CER ECJ0EC1H010B	B	17.1/37.7
	4030017340	S.CER ECJ0EC1H010B	[C] [O]	
	4030017340	S.CER ECJ0EC1H010B	[L]	
	4030017460	S.CER ECJ0EB1E102K	[D]	
	4030017460	S.CER ECJ0EB1E102K	[P]	
	4030017340	S.CER ECJ0EC1H010B	[E]	
	4030017340	S.CER ECJ0EC1H010B	[F]	
	4030017340	S.CER ECJ0EC1H010B	[G]	
	4030017340	S.CER ECJ0EC1H010B	[L]	
	4030017340	S.CER ECJ0EC1H010B	[I]	
	4030017460	S.CER ECJ0EB1E102K	[H]	
C448	4030017340	S.CER ECJ0EC1H010B	[C] B	12.5/36.9
	4030017340	S.CER ECJ0EC1H010B	[O]	
	4030017340	S.CER ECJ0EC1H010B	[L]	
	4030017460	S.CER ECJ0EB1E102K	[D]	
	4030017460	S.CER ECJ0EB1E102K	[P]	
	4030017340	S.CER ECJ0EC1H010B	[E]	
	4030017340	S.CER ECJ0EC1H010B	[F]	
	4030017340	S.CER ECJ0EC1H010B	[G]	
	4030017340	S.CER ECJ0EC1H010B	[L]	
	4030017340	S.CER ECJ0EC1H010B	[I]	
	4030017460	S.CER ECJ0EB1E102K	[H]	

M.=Mounted side (T: Mounted on the Top side, B: Mounted on the Bottom side)
S.=Surface mount

[MAIN-A UNIT] (For MDC compatible versions)

REF NO.	PARTS NO.	DESCRIPTION	M.	H/V LOCATION		
C449	4030017530	S.CER ECJ0EC1H0R5B	[C]	T 65.6/42.5		
	4030017530	S.CER ECJ0EC1H0R5B	[O]			
	4030017530	S.CER ECJ0EC1H0R5B	[L]			
	4030017530	S.CER ECJ0EC1H0R5B	[E]			
	4030017530	S.CER ECJ0EC1H0R5B	[F]			
	4030017530	S.CER ECJ0EC1H0R5B	[G]			
	4030017530	S.CER ECJ0EC1H0R5B	[L]			
C450	4030017560	S.CER ECJ0EC1H2R5B	[I]	T 65.6/36		
	4030017560	S.CER ECJ0EC1H2R5B	[O]			
	4030017560	S.CER ECJ0EC1H2R5B	[L]			
	4030017560	S.CER ECJ0EC1H2R5B	[E]			
	4030017560	S.CER ECJ0EC1H2R5B	[F]			
	4030017560	S.CER ECJ0EC1H2R5B	[G]			
	4030017560	S.CER ECJ0EC1H2R5B	[L]			
	4030017560	S.CER ECJ0EC1H2R5B	[I]			
	C451	4030018860	S.CER ECJ0EB0J105K		B	92.6/6.6
	C452	4030019120	S.CER GRM188B31E105KA75D		B	129.7/64.1
C453	4030016930	S.CER ECJ0EB1A104K	B	132.1/55.8		
J1	6510026770	S.CON AXK540147YG	T	124.5/9.7		
J2	6510026770	S.CON AXK540147YG	T	101.5/9.7		
J3	6510021301	S.CON 52365-1071	T	90.3/62.6		
J5	6510023092	S.CON 20FLT-SM2-TB(LF)(SN)(M)	T	108.3/83.2		
J7	6450000140	CON HSJ0807-01-010	T			
J10	6510023092	S.CON 20FLT-SM2-TB(LF)(SN)(M)	T	71/7		
W1	7120000470	JUM ERDS2T0				
W2	8900016250	CAB OPC-1701 <CMI>T/H!				
EP2	6910015370	S.BEA ACZ1005Y-102-T	B	60.4/28.3		
EP3	6910015370	S.BEA ACZ1005Y-102-T	T	85.7/30		
EP6	6910015370	S.BEA ACZ1005Y-102-T	T	79.6/41.5		

[FRONT UNIT]

REF NO.	PARTS NO.	DESCRIPTION	M.	H/V LOCATION
IC501	1130009121	S.IC S1D15206F00A200	B	33.1/19.5
IC502	1110005771	S.IC S-80942CNMC-G9CT2G	B	61.4/9.7
IC503	1140010771	S.IC HD64F3687FPV(EMPTY)	B	62.1/25.2
IC504	1130007111	S.IC TC7W04FU(TE12L,F)	B	73.9/26.3
IC505	1110005310	S.IC AN6123MS	B	10/8.4
IC506	1110005350	S.IC NJM2870F05-TE1-#FZZB	B	84.9/9.9
IC507	1130006221	S.IC TC4W53FU(TE12L,F)	B	6.5/19
IC508	1130008561	S.IC TC75S51F(TE85L,F)	B	74/11.3
Q501	1590001050	S.TRA DTC114TUA T106	B	15.1/32.9
Q502	1590001050	S.TRA DTC114TUA T106	B	18/32.9
Q503	1590001330	S.TRA DTA114EUA T106	B	77/24.7
Q504	1530002851	S.TRA 2SC4116-BL(TE85R,F)	B	91.5/22.4
Q505	1590001050	S.TRA DTC114TUA T106	B	92.5/18.8
Q506	1590000680	S.TRA DTC114EUA T106	B	77/27.4
Q507	1590001050	S.TRA DTC114TUA T106	B	51.4/30.2
D501	1750000370	S.DIO DA221 TL	T	3.5/27.1
D502	1750000370	S.DIO DA221 TL	T	3.5/25
D503	1750000370	S.DIO DA221 TL	T	3.5/22.9
D504	1790001261	S.DIO MA2S077G0L	B	50.9/23.1
D505	1790001251	S.DIO MA2S1110GL	B	3.3/23.3
D506	1790001251	S.DIO MA2S1110GL	B	82.1/21.7
D507	1790001251	S.DIO MA2S1110GL	B	79.7/25.8
D508	1790000951	S.ZEN MAZ8056GML	T	4.8/19.7
D509	1790000951	S.ZEN MAZ8056GML	T	8.6/19.7
D510	1790000951	S.ZEN MAZ8056GML	T	10.4/19.7
X501	6050011720	S.XTA CR-764 SMD-49TB 19.6608 MHz <KDS>	B	49.6/18.9
L501	6200003640	S.COI MLF1608E 100K-T	B	12/19.1
R501	7030003810	S.RES ERJ3GEYJ 125 V (1.2M)	B	46/28.8
R502	7030003810	S.RES ERJ3GEYJ 125 V (1.2M)	B	46.6/23.8
R503	7310005510	S.TRI TMC3ADCS5X (470K)	B	45.5/26.3
R504	7030005120	S.RES ERJ2GEJ 102 X (1K)	B	8/29.3
R505	7030005120	S.RES ERJ2GEJ 102 X (1K)	B	10/29.3
R506	7030005120	S.RES ERJ2GEJ 102 X (1K)	B	12/29.3
R507	7030005010	S.RES ERJ2GEJ 681 X (680)	T	14.3/37.2
R508	7030005120	S.RES ERJ2GEJ 102 X (1K)	T	14.3/36.3
R509	7510001730	S.THE ERTJOEP 473J	B	59.9/17.1
R510	7030005120	S.RES ERJ2GEJ 102 X (1K)	B	61.1/17.1
R511	7030005530	S.RES ERJ2GEJ 100 X (10)	B	57.1/19.4
R512	7030008010	S.RES ERJ2GEJ 123 X (12K)	B	52/22.7
R513	7030005050	S.RES ERJ2GEJ 103 X (10K)	B	63.8/10.2
R514	7030005160	S.RES ERJ2GEJ 105 X (1M)	B	56.1/20.7
R515	7030008010	S.RES ERJ2GEJ 123 X (12K)	B	52.3/23.9
R516	7030008010	S.RES ERJ2GEJ 123 X (12K)	B	49.5/23.9
R517	7410001140	S.ARR EXB28V104JX	B	66.5/10.8
R518	7410001140	S.ARR EXB28V104JX	B	67.5/19.2
R519	7030005090	S.RES ERJ2GEJ 104 X (100K)	B	51.5/26.9
R520	7030005090	S.RES ERJ2GEJ 104 X (100K)	B	71.6/26.8
R522	7030005090	S.RES ERJ2GEJ 104 X (100K)	T	3.3/17.2
R523	7030004980	S.RES ERJ2GEJ 101 X (100)	B	13.2/10.9
R524	7030005090	S.RES ERJ2GEJ 104 X (100K)	B	71.6/28.4
R525	7030005240	S.RES ERJ2GEJ 473 X (47K)	B	80.2/27
R526	7030007300	S.RES ERJ2GEJ 332 X (3.3K)	B	79/24.4
R528	7030005090	S.RES ERJ2GEJ 104 X (100K)	B	71.7/24.1
R529	7030005090	S.RES ERJ2GEJ 104 X (100K)	B	82.1/19.6
R530	7030005160	S.RES ERJ2GEJ 105 X (1M)	B	5.4/10
R531	7030009280	S.RES ERJ2GEJ 391 X	B	92/20.6
R532	7030005120	S.RES ERJ2GEJ 102 X (1K)	B	91.4/24.2
R533	7030007290	S.RES ERJ2GEJ 222 X (2.2K)	B	91.4/25.2
R534	7030009140	S.RES ERJ2GEJ 272 X (2.7K)	B	90.6/20.2
R535	7030005090	S.RES ERJ2GEJ 104 X (100K)	B	82.4/31.4
R536	7030005220	S.RES ERJ2GEJ 223 X (22K)	B	77.8/22.9
R537	7030005090	S.RES ERJ2GEJ 104 X (100K)	T	7.2/19.2
R538	7030005090	S.RES ERJ2GEJ 104 X (100K)	T	6.2/19.2
R539	7030010040	S.RES ERJ2GEJ-JPW	B	76/15.9
R540	7030009290	S.RES ERJ2GEJ 562 X (5.6K)	B	4.3/10.9
R541	7030007290	S.RES ERJ2GEJ 222 X (2.2K)	B	3.3/16.6
R542	7030009160	S.RES ERJ2GEJ 181 X (180)	B	89.8/24.2
R543	7030009160	S.RES ERJ2GEJ 181 X (180)	B	89.8/25.2
R545	7030005240	S.RES ERJ2GEJ 473 X (47K)	T	11.8/19.2
R546	7210003050	VAR EVU-F2KFK3 B14 (10KB)		
R547	7030005120	S.RES ERJ2GEJ 102 X (1K)	T	11.8/17.2
R548	7030005120	S.RES ERJ2GEJ 102 X (1K)	T	6.8/17.2
R549	7030005120	S.RES ERJ2GEJ 102 X (1K)	T	9.3/17.2
R550	7030005240	S.RES ERJ2GEJ 473 X (47K)	B	10.9/19.4
R551	7030007300	S.RES ERJ2GEJ 332 X (3.3K)	B	11/5.8
R552	7030009280	S.RES ERJ2GEJ 391 X	B	10.1/5.8
R553	7030007290	S.RES ERJ2GEJ 222 X (2.2K)	B	75.2/8.7
R554	7030007290	S.RES ERJ2GEJ 222 X (2.2K)	B	71.4/12.4
	7030007290	S.RES ERJ2GEJ 222 X (2.2K)	[A]	
	7030007290	S.RES ERJ2GEJ 222 X (2.2K)	[M]	
	7030007290	S.RES ERJ2GEJ 222 X (2.2K)	[J]	
	7030007290	S.RES ERJ2GEJ 222 X (2.2K)	[B]	
	7030007290	S.RES ERJ2GEJ 222 X (2.2K)	[N]	
	7030009140	S.RES ERJ2GEJ 272 X (2.7K)	[C]	
	7030009140	S.RES ERJ2GEJ 272 X (2.7K)	[O]	
	7030009140	S.RES ERJ2GEJ 272 X (2.7K)	[K]	
	7030009140	S.RES ERJ2GEJ 272 X (2.7K)	[D]	
	7030009140	S.RES ERJ2GEJ 272 X (2.7K)	[P]	
	7030009140	S.RES ERJ2GEJ 272 X (2.7K)	[E]	
	7030009140	S.RES ERJ2GEJ 272 X (2.7K)	[F]	
	7030009140	S.RES ERJ2GEJ 272 X (2.7K)	[G]	
	7030009140	S.RES ERJ2GEJ 272 X (2.7K)	[K]	
	7030009140	S.RES ERJ2GEJ 272 X (2.7K)	[I]	
	7030009140	S.RES ERJ2GEJ 272 X (2.7K)	[H]	

M.=Mounted side (T: Mounted on the Top side, B: Mounted on the Bottom side)
S.=Surface mount

[FRONT UNIT]

REF NO.	PARTS NO.	DESCRIPTION	M.	H/V LOCATION		
R555	7030005220	S.RES ERJ2GEJ 223 X (22K)	[A]	B 71.4/11.5		
	7030005220	S.RES ERJ2GEJ 223 X (22K)	[M]			
	7030005220	S.RES ERJ2GEJ 223 X (22K)	[J]			
	7030005220	S.RES ERJ2GEJ 223 X (22K)	[B]			
	7030005220	S.RES ERJ2GEJ 223 X (22K)	[N]			
	7030008290	S.RES ERJ2GEJ 183 X (18K)	[C]			
	7030008290	S.RES ERJ2GEJ 183 X (18K)	[O]			
	7030008290	S.RES ERJ2GEJ 183 X (18K)	[K]			
	7030008290	S.RES ERJ2GEJ 183 X (18K)	[D]			
	7030008290	S.RES ERJ2GEJ 183 X (18K)	[P]			
	7030008290	S.RES ERJ2GEJ 183 X (18K)	[E]			
	7030008290	S.RES ERJ2GEJ 183 X (18K)	[F]			
	7030008290	S.RES ERJ2GEJ 183 X (18K)	[G]			
	7030008290	S.RES ERJ2GEJ 183 X (18K)	[K]			
	7030008290	S.RES ERJ2GEJ 183 X (18K)	[I]			
	7030008290	S.RES ERJ2GEJ 183 X (18K)	[H]			
	R556	7030005050	S.RES ERJ2GEJ 103 X (10K)			B 73.2/8.7
	R557	7030005050	S.RES ERJ2GEJ 103 X (10K)			B 71.8/10.2
	R558	7030005060	S.RES ERJ2GEJ 333 X (33K)		[A]	B 74/13.5
		7030005060	S.RES ERJ2GEJ 333 X (33K)		[M]	
7030005060		S.RES ERJ2GEJ 333 X (33K)	[J]			
7030005060		S.RES ERJ2GEJ 333 X (33K)	[B]			
7030005060		S.RES ERJ2GEJ 333 X (33K)	[N]			
7030008010		S.RES ERJ2GEJ 123 X (12K)	[C]			
7030008010		S.RES ERJ2GEJ 123 X (12K)	[O]			
7030008010		S.RES ERJ2GEJ 123 X (12K)	[K]			
7030008010		S.RES ERJ2GEJ 123 X (12K)	[D]			
7030008010		S.RES ERJ2GEJ 123 X (12K)	[P]			
7030008010		S.RES ERJ2GEJ 123 X (12K)	[E]			
7030008010		S.RES ERJ2GEJ 123 X (12K)	[F]			
7030008010		S.RES ERJ2GEJ 123 X (12K)	[G]			
7030008010		S.RES ERJ2GEJ 123 X (12K)	[K]			
7030008010		S.RES ERJ2GEJ 123 X (12K)	[I]			
7030008010		S.RES ERJ2GEJ 123 X (12K)	[H]			
R559		7030005090	S.RES ERJ2GEJ 104 X (100K)		B 11/20.8	
R560		7030005090	S.RES ERJ2GEJ 104 X (100K)		T 6.2/20.8	
C501		4030016930	S.CER ECJ0EB1A104K		B 41.8/30.2	
C502		4030016930	S.CER ECJ0EB1A104K		B 40.9/30.2	
C503	4030016930	S.CER ECJ0EB1A104K		B 42.7/30.2		
C504	4030016930	S.CER ECJ0EB1A104K		B 43.6/30.2		
C505	4030016930	S.CER ECJ0EB1A104K		B 44.5/30.2		
C506	4030017490	S.CER C1608 JB 1A 105K-T		B 44.7/23.2		
C507	4030017460	S.CER ECJ0EB1E102K		B 46.1/22.7		
C508	4030017490	S.CER C1608 JB 1A 105K-T		B 43.4/23.2		
C509	4030017730	S.CER ECJ0EB1E471K		B 13.1/33.3		
C510	4030017730	S.CER ECJ0EB1E471K		B 18.6/30.5		
C511	4030016790	S.CER ECJ0EB1C103K		B 58.3/17.1		
C512	4030016930	S.CER ECJ0EB1A104K		B 62/17.1		
C513	4030017030	S.CER ECJ0EB1A273K		B 59.1/10.2		
C514	4030016930	S.CER ECJ0EB1A104K		B 58.3/18.3		
C515	4030017630	S.CER ECJ0EC1H120J		B 57.1/17.8		
C516	4030017580	S.CER ECJ0EC1H060C		B 48.9/22.7		
C517	4030016790	S.CER ECJ0EB1C103K		B 52.9/22.7		
C518	4030017640	S.CER ECJ0EC1H150J		B 49.8/22.7		
C519	4030016930	S.CER ECJ0EB1A104K		B 53.8/22.7		
C520	4030017420	S.CER ECJ0EC1H470J		T 12.5/36.3		
C521	4030017460	S.CER ECJ0EB1E102K		B 78.8/27.5		
C522	4550006480	S.TAN TEESVA 1C 475M8R		B 87.7/9.8		
C523	4550006250	S.TAN TEESVA 1A 106M8R		B 12.8/7.6		
C524	4550006250	S.TAN TEESVA 1A 106M8R		B 7.2/7.6		
C525	4030017330	S.CER ECJ0EF1C104Z		B 85.7/7.7		
C526	4030016790	S.CER ECJ0EB1C103K		B 84.1/7.7		
C527	4030017420	S.CER ECJ0EC1H470J		T 5.9/17.2		
C528	4030017460	S.CER ECJ0EB1E102K		T 8.4/17.2		
C529	4550006250	S.TAN TEESVA 1A 106M8R		B 82.1/9.8		
C530	4030016930	S.CER ECJ0EB1A104K		B 84.1/12.1		
C531	4030017460	S.CER ECJ0EB1E102K		B 79/22.5		
C533	4030017460	S.CER ECJ0EB1E102K		B 80/22.5		
C534	4030017420	S.CER ECJ0EC1H470J		B 76.2/22.9		
C535	4030016930	S.CER ECJ0EB1A104K		B 5.4/9.1		
C536	4030016930	S.CER ECJ0EB1A104K		B 3.3/18.2		
C537	4030017460	S.CER ECJ0EB1E102K		B 14/25		
C538	4030017330	S.CER ECJ0EF1C104Z		B 6/10.9		
C539	4030017420	S.CER ECJ0EC1H470J		T 10.9/17.2		
C540	4030017460	S.CER ECJ0EB1E102K		B 10.9/17.8		
C541	4030017420	S.CER ECJ0EC1H470J		B 8.5/10.9		
C543	4030017420	S.CER ECJ0EC1H470J		B 77.6/16.7		
C544	4030017420	S.CER ECJ0EC1H470J		B 79.8/16.7		
C545	4030017420	S.CER ECJ0EC1H470J		B 77.6/15.8		
C546	4030017420	S.CER ECJ0EC1H470J		B 74/15.3		
C547	4030017460	S.CER ECJ0EB1E102K		B 74/16.2		
C548	4030017490	S.CER C1608 JB 1A 105K-T		B 9.7/19.3		
C549	4030016930	S.CER ECJ0EB1A104K		B 3.7/21.2		
C550	4030018900	S.CER ECJ0EB0J474K		B 70.1/11.9		
C551	4030016930	S.CER ECJ0EB1A104K		B 70.9/10.2		
C552	4030017460	S.CER ECJ0EB1E102K		B 75.2/6.9		
C553	4030017460	S.CER ECJ0EB1E102K		B 71.4/13.3		
C554	4030016790	S.CER ECJ0EB1C103K		B 74.2/8.7		

[FRONT UNIT]

REF NO.	PARTS NO.	DESCRIPTION	M.	H/V LOCATION
C555	4030017460	S.CER ECJ0EB1E102K	[A]	B 74/14.4
	4030017460	S.CER ECJ0EB1E102K	[M]	
	4030017460	S.CER ECJ0EB1E102K	[J]	
	4030017460	S.CER ECJ0EB1E102K	[B]	
	4030017460	S.CER ECJ0EB1E102K	[N]	
	4030018920	S.CER ECJ0EB1H392K	[C]	
	4030018920	S.CER ECJ0EB1H392K	[O]	
	4030018920	S.CER ECJ0EB1H392K	[K]	
	4030018920	S.CER ECJ0EB1H392K	[D]	
	4030018920	S.CER ECJ0EB1H392K	[P]	
	4030018920	S.CER ECJ0EB1H392K	[E]	
	4030018920	S.CER ECJ0EB1H392K	[F]	
	4030018920	S.CER ECJ0EB1H392K	[G]	
	4030018920	S.CER ECJ0EB1H392K	[K]	
	4030018920	S.CER ECJ0EB1H392K	[I]	
4030018920	S.CER ECJ0EB1H392K	[H]		
C556	4550006480	S.TAN TEESVA 1C 475M8R		B 76.9/10.2
J501	6510022022	S.CON 14FLT-SM2-TB(LF)(SN)(M)		B 88/28.5
J502	6510023092	S.CON 20FLT-SM2-TB(LF)(SN)(M)		B 75.5/19.5
J503	6450002210	CON 3017-8821 <KIN>		
DS501	5030003020	LCD L6-0226TVM-3		T 18.2/35.9
DS502	5040002670	S.LED CL-165HR/YG		T 32.8/6.5
DS503	5040002310	S.LED SML-311YTT86		T 46.1/6.3
DS504	5040002310	S.LED SML-311YTT86		T 59.8/6.3
DS505	5040002310	S.LED SML-311YTT86		T 92.3/24.5
DS506	5040002310	S.LED SML-311YTT86		T 73.1/6.5
DS507	5040002310	S.LED SML-311YTT86		T 31.7/26
DS508	5040002310	S.LED SML-311YTT86		T 40.2/26
DS509	5040002310	S.LED SML-311YTT86		T 48.7/26
DS510	5040002310	S.LED SML-311YTT86		T 74.2/26
DS511	5040002310	S.LED SML-311YTT86		T 65.7/26
DS512	5040002310	S.LED SML-311YTT86		T 57.2/26
DS513	5040002310	S.LED SML-311YTT86		
SP501	2510001400	SPE 3050S-E6227 <PRI>		
W501	8900012711	CAB OPC-1297A (P0.5,N20,L62) <TJM>		
W502	7120000470	JUM ERDS2T0		
W503	7120000470	JUM ERDS2T0		
EP502	8930072220	LCD SRCN-2979-SP-N-W (SHJ)		

M.=Mounted side (T: Mounted on the Top side, B: Mounted on the Bottom side) S.=Surface mount

[CONNECT UNIT]

REF NO.	PARTS NO.	DESCRIPTION	M.	H/V LOCATION
C601	4030017420	S.CER ECJ0EC1H470J	T	12.7/4.6
C602	4030017420	S.CER ECJ0EC1H470J	T	15.4/4.6
C603	4030017420	S.CER ECJ0EC1H470J	T	18.2/4.6
C604	4030017420	S.CER ECJ0EC1H470J	T	19.6/4.6
C605	4030017420	S.CER ECJ0EC1H470J	T	20.9/4.6
C606	4030017420	S.CER ECJ0EC1H470J	T	25.1/4.6
C607	4030017420	S.CER ECJ0EC1H470J	T	37.5/13.2
C608	4030017420	S.CER ECJ0EC1H470J	T	16.8/4.6
C609	4030017420	S.CER ECJ0EC1H470J	T	40.3/13.2
C610	4030017420	S.CER ECJ0EC1H470J	T	41.7/4.6
J601	6510025242	S.CON IMSA-9631S-20Y930	[A]	B 32.2/16.2
	6510025242	S.CON IMSA-9631S-20Y930	[M]	
	6510025242	S.CON IMSA-9631S-20Y930	[J]	
	6510025242	S.CON IMSA-9631S-20Y930	[B]	
	6510025242	S.CON IMSA-9631S-20Y930	[N]	
	6510025240	S.CON IMSA-9631S-20Y912	[C]	
	6510025242	S.CON IMSA-9631S-20Y930	[O]	
	6510025240	S.CON IMSA-9631S-20Y912	[K]	
	6510025240	S.CON IMSA-9631S-20Y912	[D]	
	6510025242	S.CON IMSA-9631S-20Y930	[P]	
	6510025242	S.CON IMSA-9631S-20Y930	[E]	
	6510025242	S.CON IMSA-9631S-20Y930	[F]	
	6510025240	S.CON IMSA-9631S-20Y912	[G]	
	6510025240	S.CON IMSA-9631S-20Y912	[K]	
	6510025242	S.CON IMSA-9631S-20Y930	[I]	
	6510025242	S.CON IMSA-9631S-20Y930	[H]	
J602	6510023210	CON CD6125SA1J0 <CVI>		
W601	8900012711	CAB OPC-1297A (P0.5,N20,L62) <TJM>		

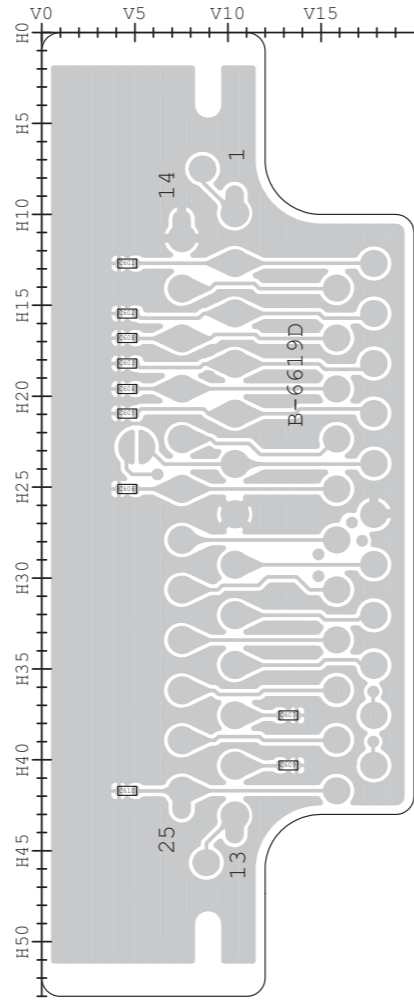
M.=Mounted side (T: Mounted on the Top side, B: Mounted on the Bottom side)
S.=Surface mount

BOARD LAYOUTS

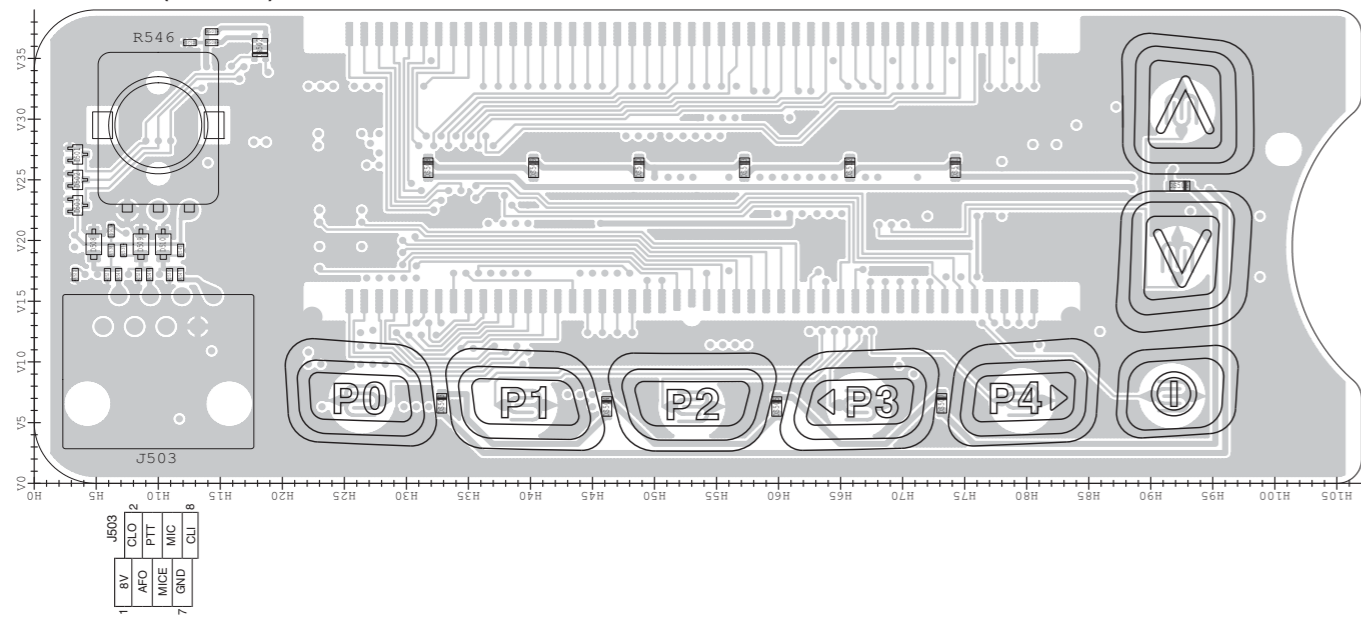
The combination of top side and bottom side of this page shows the actual configuration of P.C. board.

• For IC-F6061D

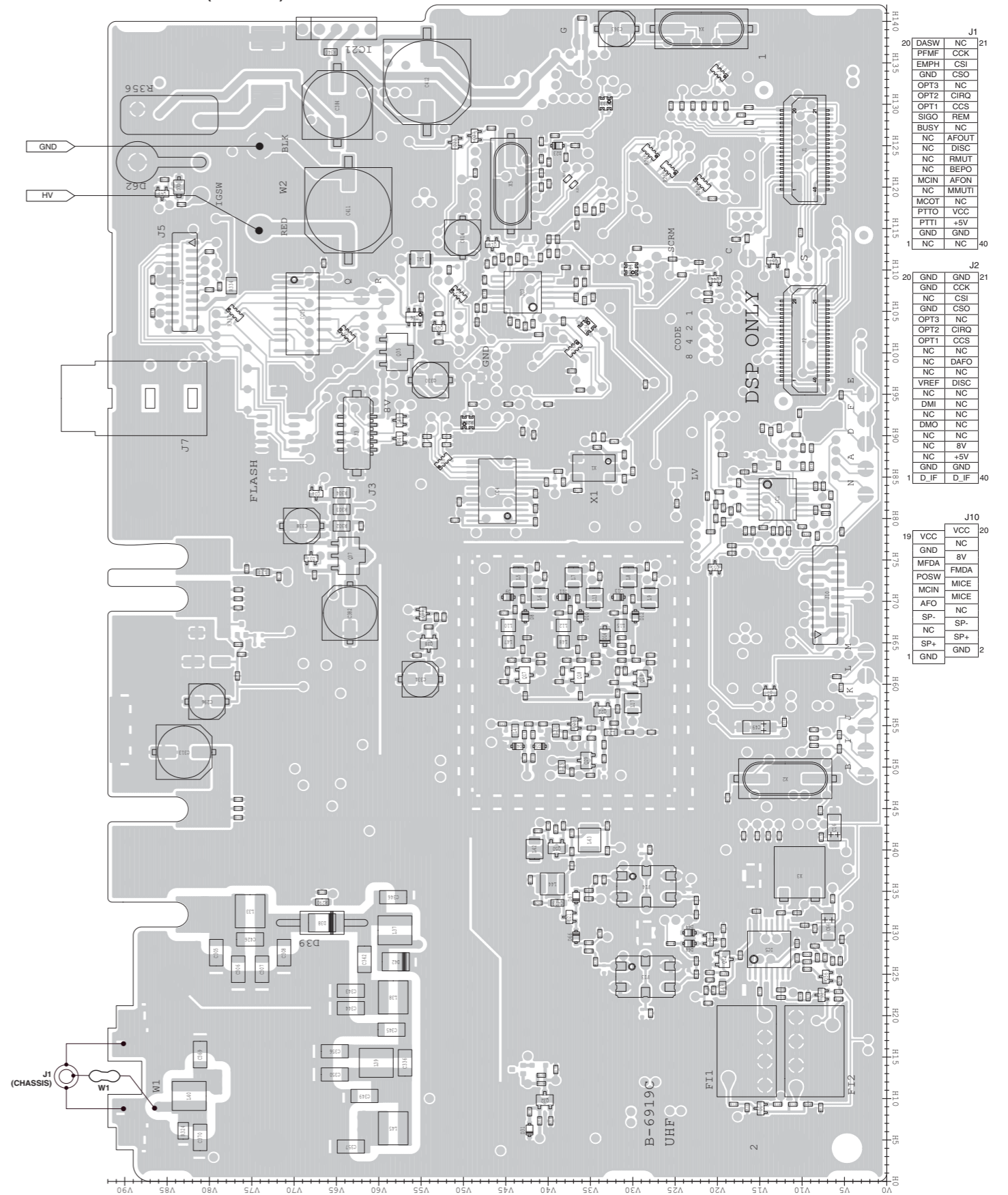
• CONNECT UNIT (TOP VIEW)



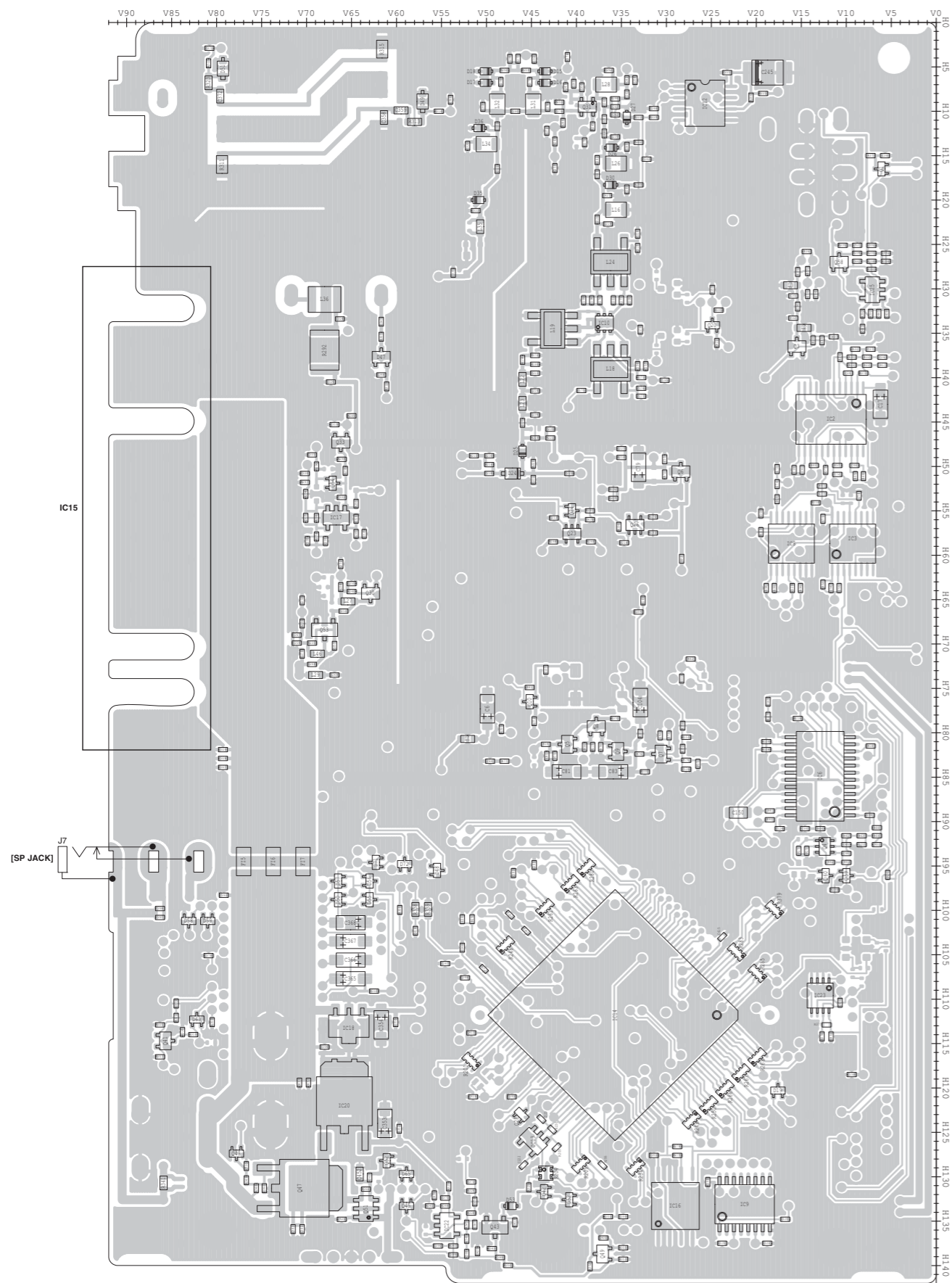
• FRONT UNIT (TOP VIEW)



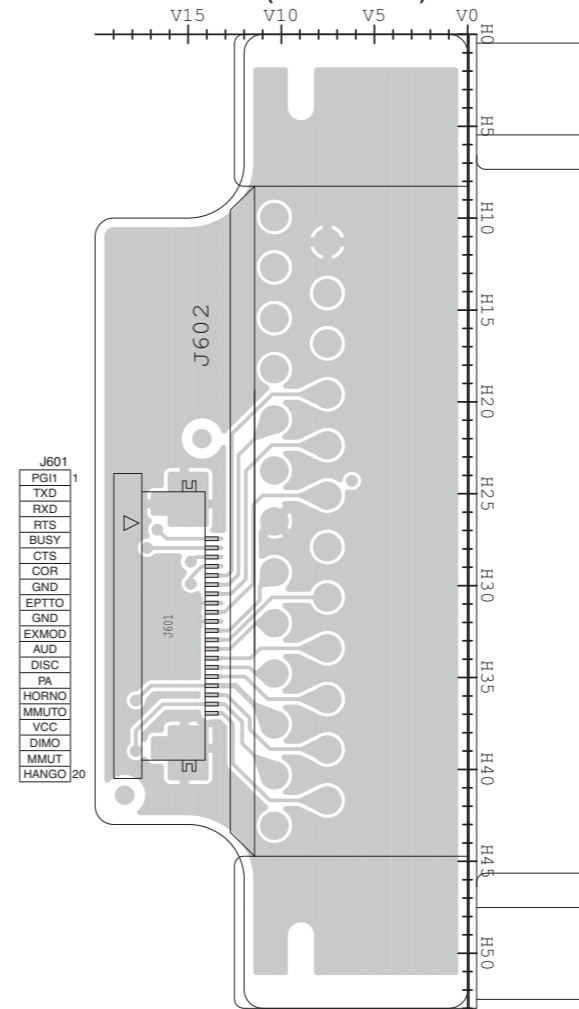
• MAIN-A UNIT (TOP VIEW)



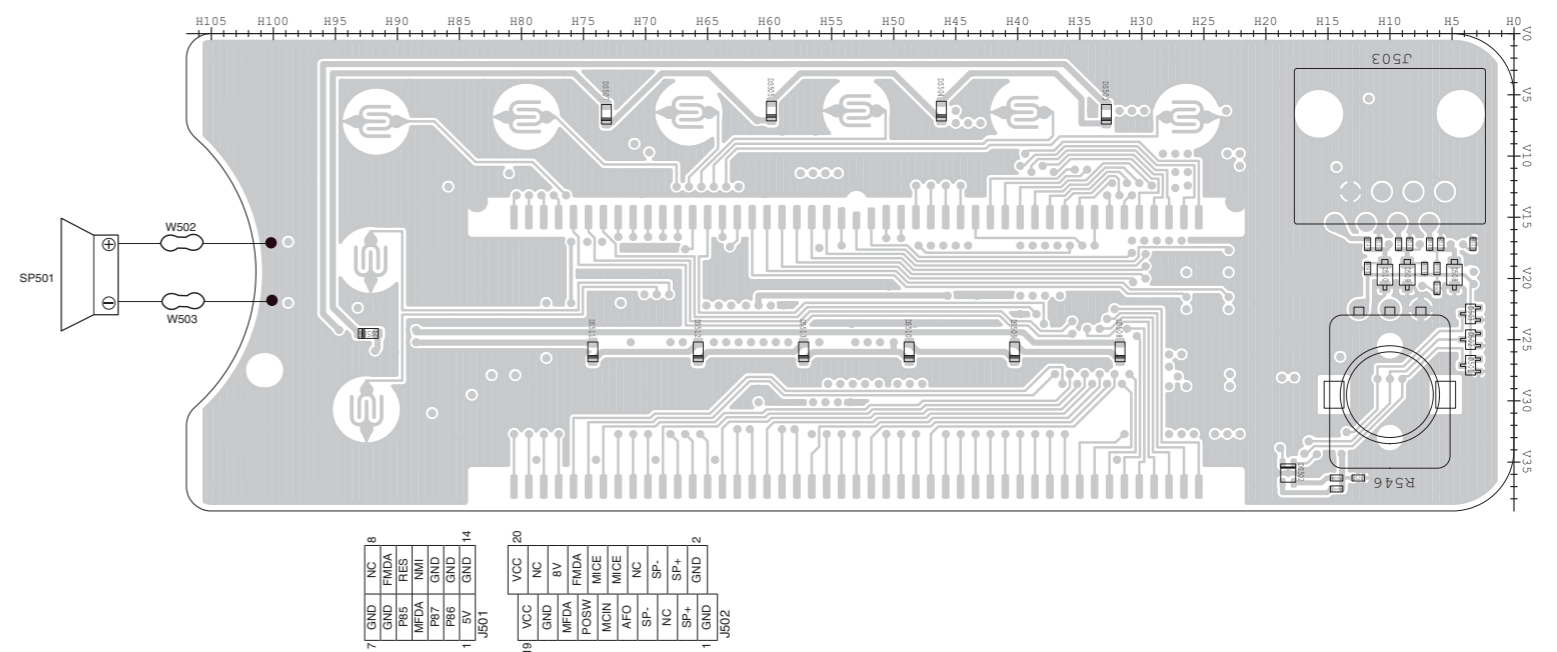
• MAIN-A UNIT (BOTTOM VIEW)



• CONNECT UNIT (BOTTOM VIEW)

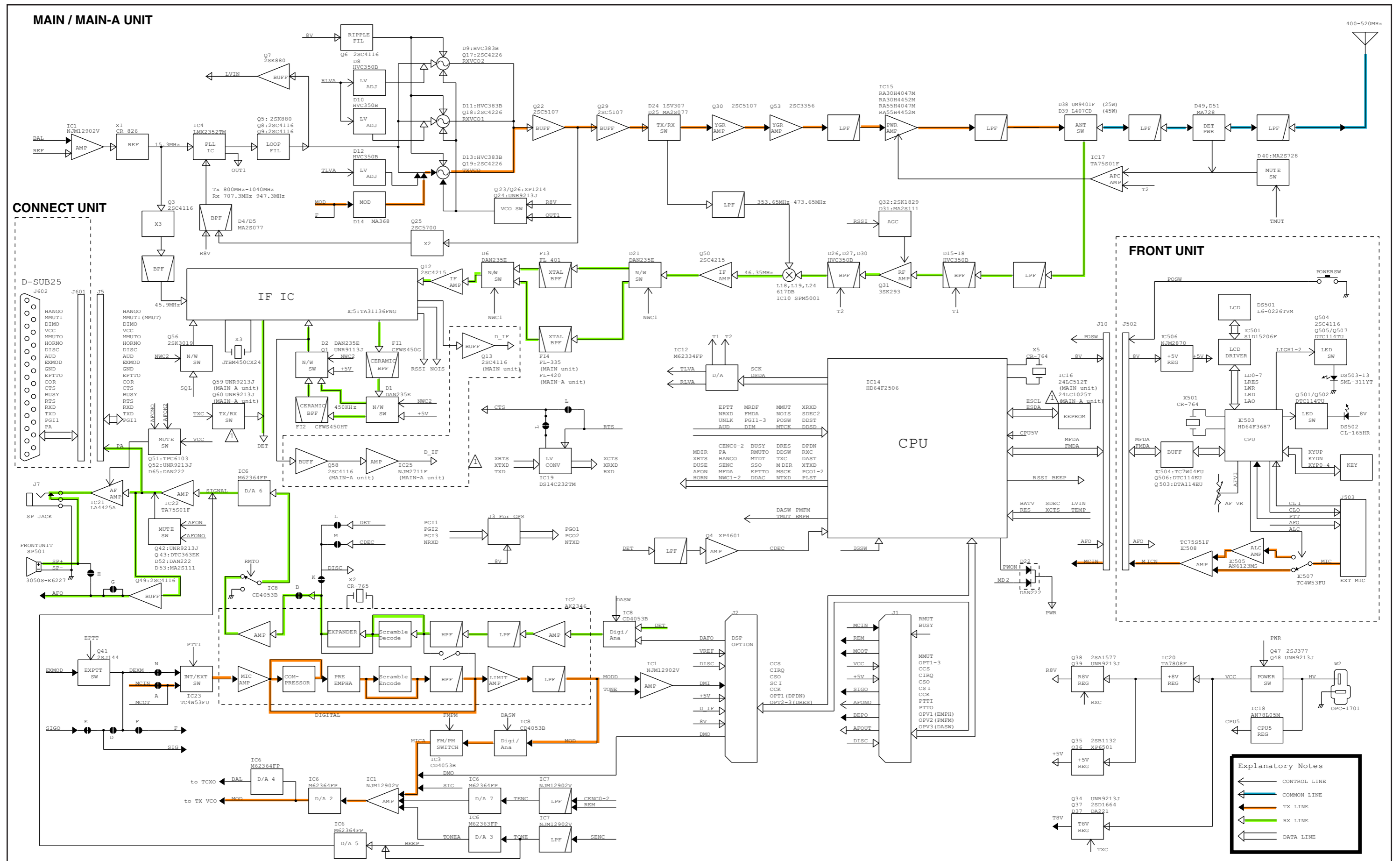


• FRONT UNIT (BOTTOM VIEW)



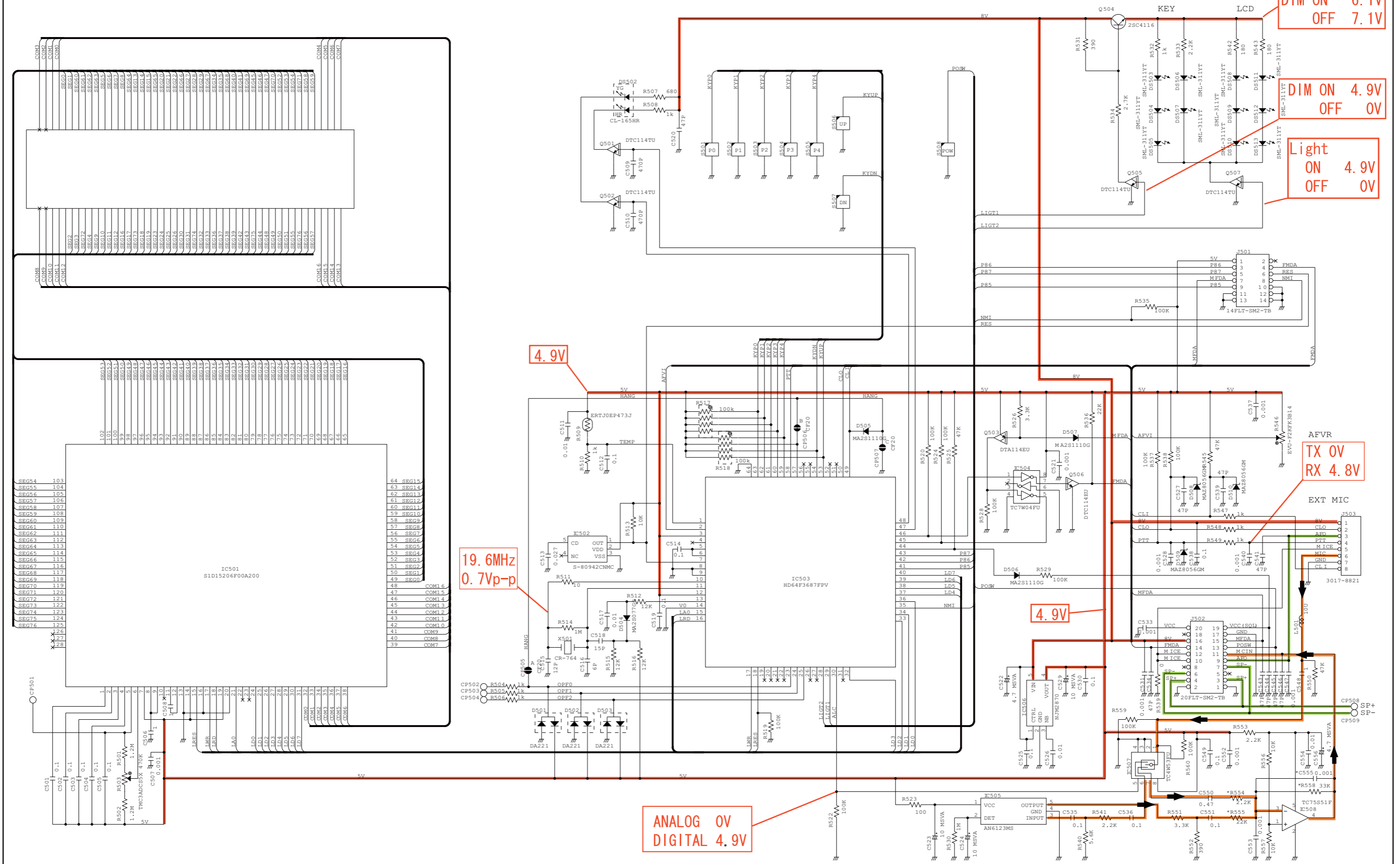
SECTION 10

BLOCK DIAGRAM



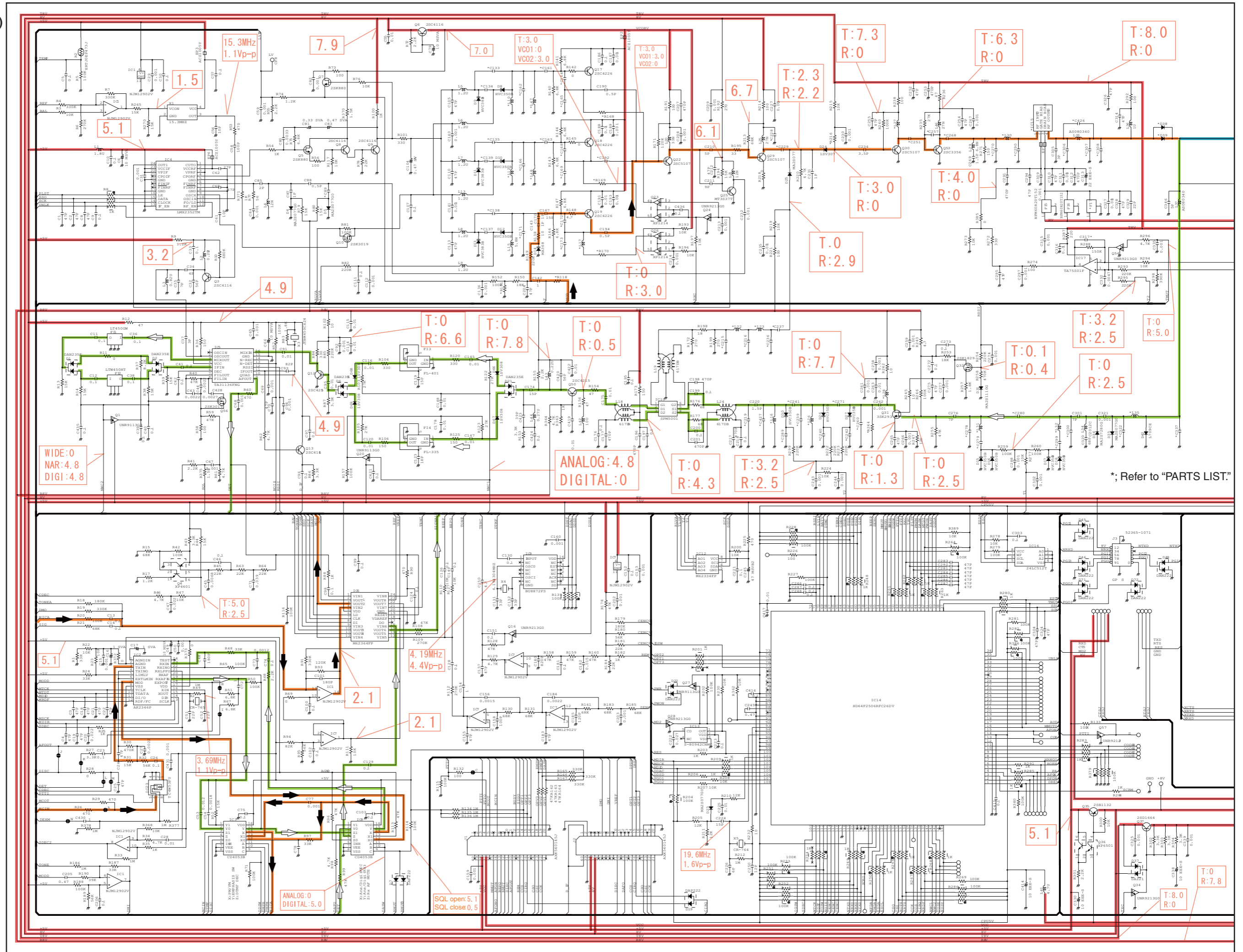
VOLTAGE DIAGRAM

• FRONT UNIT

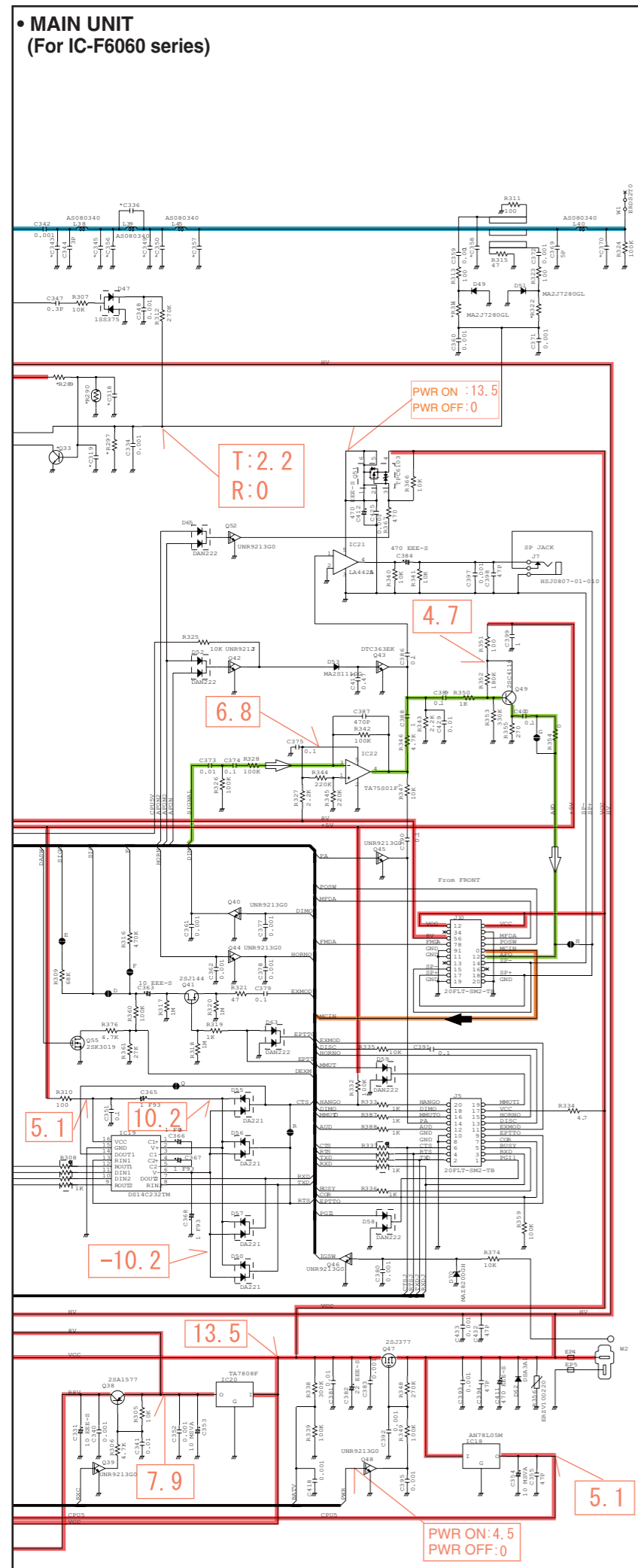


*; Refer to "PARTS LIST"

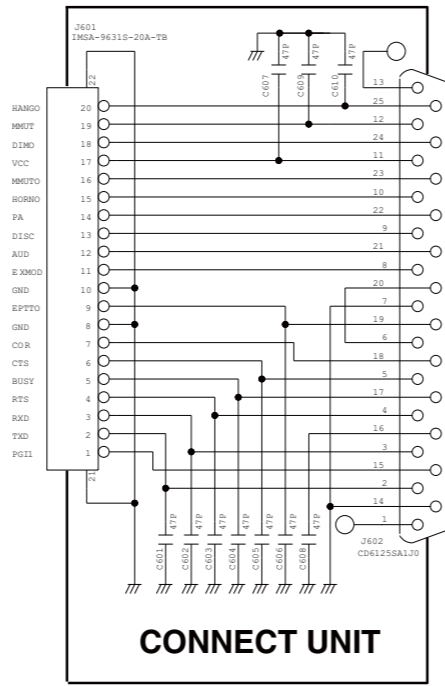
• MAIN UNIT
(For IC-F6060 series)



• MAIN UNIT
(For IC-F6060 series)



To J5 (MAIN UNIT)

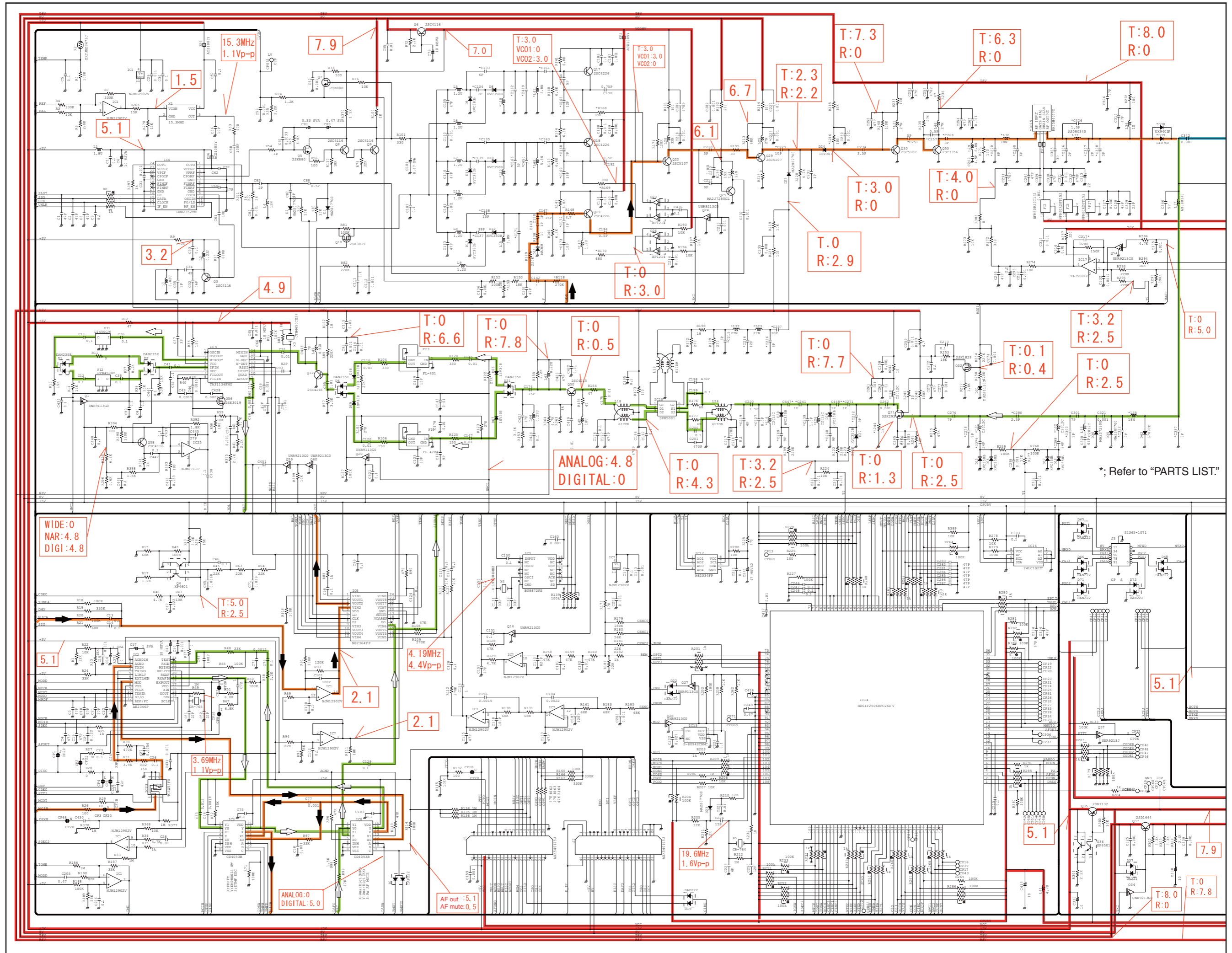


D-SUB 25pin

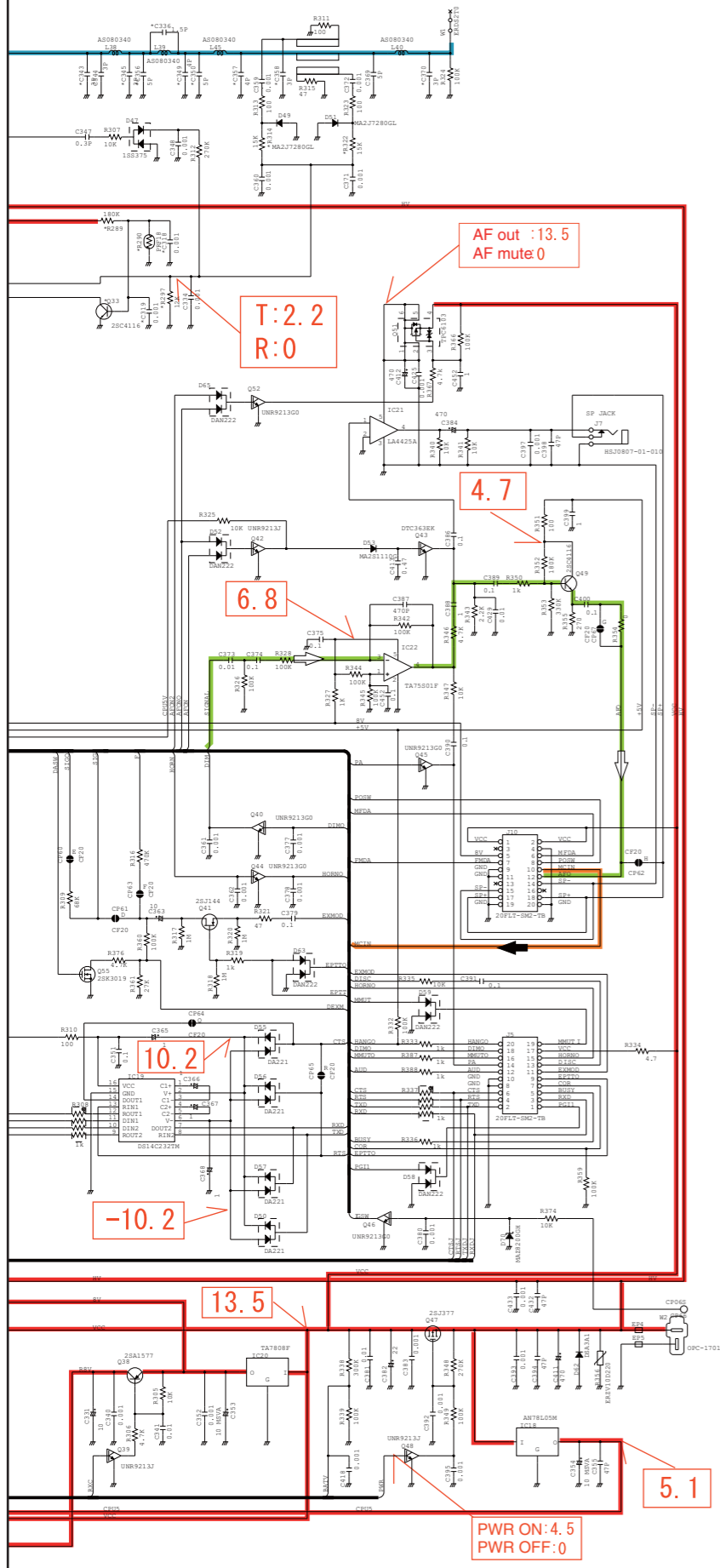
CONNECT UNIT

*; Refer to "PARTS LIST."

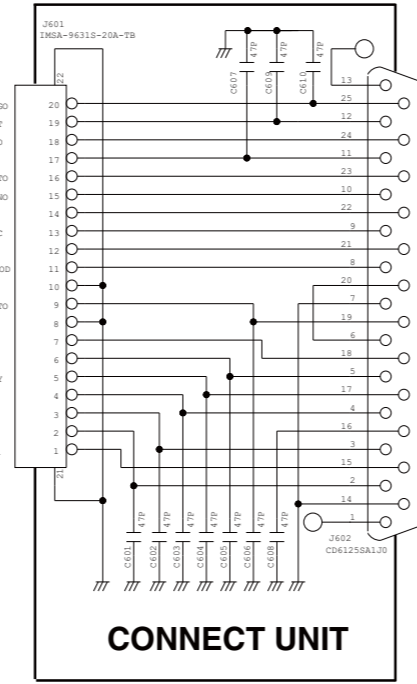
• MAIN-A UNIT
(For IC-F6061D)



• MAIN-A UNIT
(For IC-F6061D)



To J5 (MAIN UNIT)



D-SUB 25pin

*; Refer to "PARTS LIST."



SERVICE MANUAL ADDENDUM

IC-F6061/F6061D/F6062/F6062D/F6063

CONTENTS

REPLACEMENT PAGES	4-1, 4-2
PARTS LIST	1
BOARD LAYOUTS	20
VOLTAGE DIAGRAM	24

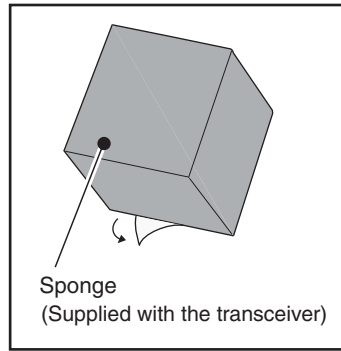
MODEL	VERSION	FREQUENCY RANGE	DESCRIPTION	TX POWER
IC-F6061	USA-01	400-470 MHz (Low band)	-	45 W
	USA-02	450-512 MHz (High band)		
	USA-03	400-470 MHz (Low band)	MDC compatible	
	USA-04	450-512 MHz (High band)		
	USA-55	400-470 MHz (Low band)		
	USA-56	400-470 MHz (Low band)		
IC-F6061D	USA-01	400-470 MHz (Low band)	MDC compatible & UT-126H installed	25 W
	USA-02	450-512 MHz (High band)		
	CHN-01	400-470 MHz (Low band)		
IC-F6062	EUR-01	400-470 MHz (Low band)	-	
	EUR-03	400-470 MHz (Low band)	MDC compatible	
IC-F6062D	EUR-03	400-470 MHz (Low band)	UT-126H installed	
IC-F6063	EXP-01	400-470 MHz (Low band)	-	25 W
	EXP-02	450-520 MHz (High band)		
	EXP-03	400-470 MHz (Low band)	MDC compatible	
	EXP-04	450-520 MHz (High band)		

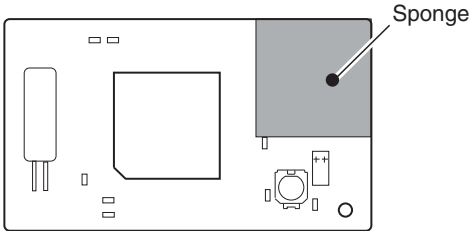
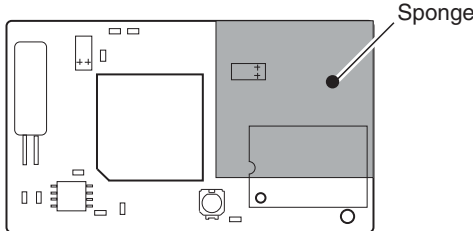
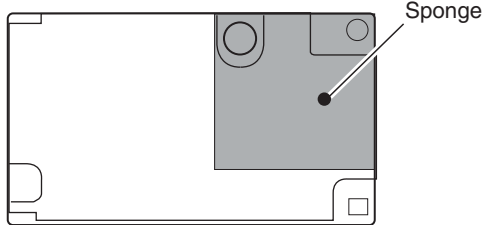
SECTION 4 OPTIONAL UNITS INSTALLATION

BEFORE INSTALLING OPTIONAL UNITS

Before installing optional units, the sponge supplied with the transceiver must be attached to the units. Remove the bottom protective paper, and attach the sponge to the specified position on the optional units as shown below.

NOTE: Attach the sponge by pressing it gently but ensure that it is attached to the unit securely.

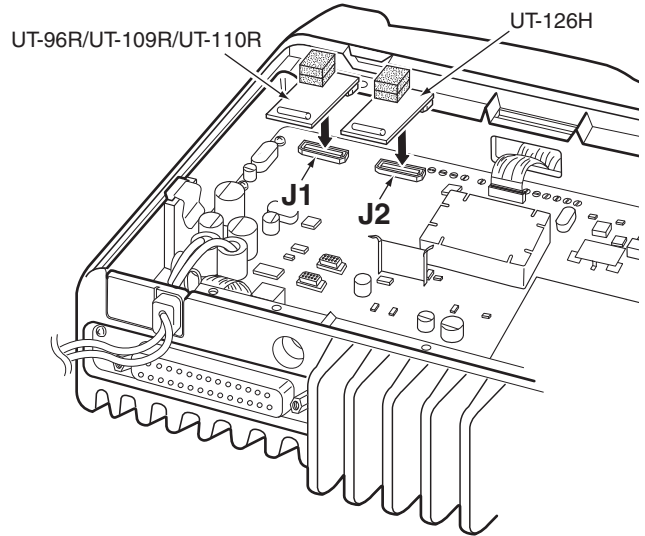


<p>• UT-96R</p> 	<p>• UT-109R/UT-110R</p> 
<p>• UT-126H</p> 	

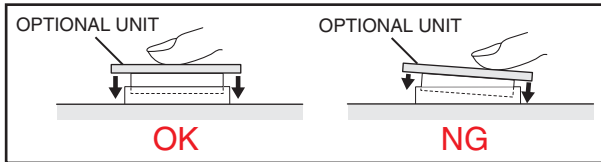
Optional units installation

- ① Turn the transceiver power OFF, then disconnect the DC power cable.
- ② Unscrew the 4 cover screws, then remove the bottom cover.
- ③ Remove the protective paper from the sponge on the bottom of the unit.
- ④ Install the UT-96R/UT-109R/UT-110R to J1 and the UT-126H to J2 as shown.
- ⑤ Replace the bottom cover and screws, then re-connect the DC power cable.

UT-96R/UT-109R/UT-110R must be installed to J1, and UT-126H must be installed to J2.

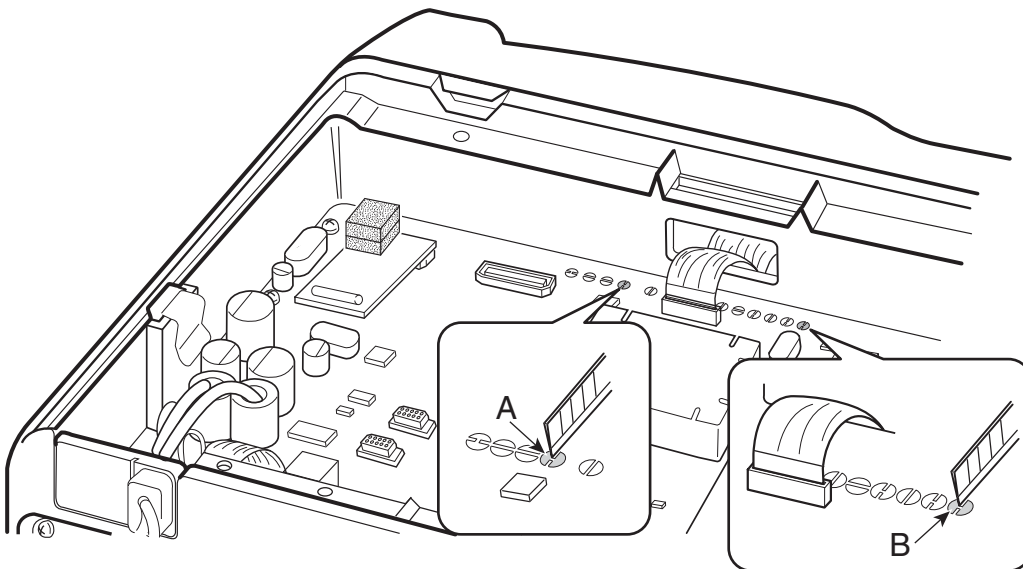


NOTE: When installing the unit
Be sure that the unit is inserted correctly.

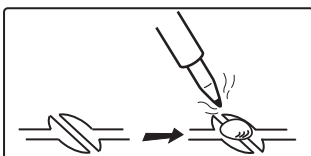


Required modification for the UT-109R and UT-110R

- Cut the pattern on the PCB at the A (MIC) and B (AF OUT) as shown below.



NOTE: When uninstalling the UT109R or UT-110R
Be sure to re-solder the cut points as below when you remove the unit. Otherwise no TX modulation or AF output is available.



PARTS LIST

[VERSION LIST]

MODEL	VERSION	SYMBOL
IC-F6061	USA-01	[A]
	USA-02	[B]
	USA-03	[C]
	USA-04	[D]
	USA-55	[E]
	USA-56	[F]
IC-F6061D	USA-01	[G]
	USA-02	[H]
	CHN-01	[I]
IC-F6062	EUR-01	[J]
	EUR-03	[K]
IC-F6062D	EUR-03	[L]
IC-F6063	EXP-01	[M]
	EXP-02	[N]
	EXP-03	[O]
	EXP-04	[P]

[MAIN UNIT] (For IC-F6060 series)

REF NO.	PARTS NO.	DESCRIPTION	M.	H/V LOCATION
IC1	1110005340	S.IC NJM12902V-TE1-#ZZZB	T	82.3/12.9
IC2	1110006221	S.IC AK2346P-E2/P	B	44.7/11.7
IC3	1140013200	S.IC CD4053BPWR	B	58.7/9.3
IC4	1130010100	S.IC LMX2352TMX/NOPB	T	83.3/46
IC5	1110003491	S.IC TA31136FNG(D,EL)	T	28/13.9
IC6	1190001350	S.IC M62364FP 600D	B	84.9/12.9
IC7	1110005340	S.IC NJM12902V-TE1-#ZZZB	T	107.3/43
IC8	1140013200	S.IC CD4053BPWR	B	58.7/16.1
IC9	1130012960	S.IC BU8872FS-E2	B	133.1/21.3
IC10	1190002051	S.IC SPM5001-TL-E	B	33.8/36.9
IC12	1190001340	S.IC M62334FP 600C	B	9.1/25.7
IC13	1110005771	S.IC S-80942CNMC-G9CT2G	B	126/44.8
IC14	1140014550	S.IC HD64F2506RFC26DV(EMPTY)	B	111.8/35.7
IC15	1150002211	IC RA55H4047M-121	[A]	
	1150002092	IC RA30H4047M-121	[M]	
	1150002092	IC RA30H4047M-121	[J]	
	1150002221	IC RA55H4452M-121	[B]	
	1150002032	IC RA30H4452M-121	[N]	
IC16	1140012950	S.IC 24LC512T-I/SM	B	133.3/29
IC17	1110002751	S.IC TA75S01F(TE85R,F)	B	55.8/66.7
IC18	1180000970	S.IC AN78L05M-(E1)	B	113/65.3
IC19	1120002510	S.IC DS14C232TM S	T	104.7/69
IC20	1180001251	S.IC TA7808F(TE16L,Q)	B	121.5/65.8
IC21	1110003091	IC LA4425A-E		
IC22	1110002751	S.IC TA75S01F(TE85R,F)	B	135.5/54.4
IC23	1130006221	S.IC TC4W53FU(TE12L,F)	B	109.6/12.9
Q1	1590003231	S.TRA UNR9113G0L	B	16.5/6.1
Q3	1530002851	S.TRA 2SC4116-BL(TE85R,F)	B	36.5/15.5
Q4	1590001650	S.TRA XP4601(TX)	B	92.8/12.4
Q5	1560000541	S.FET 2SK880-Y(T5RICOM,F)	B	81.3/41
Q6	1530002851	S.TRA 2SC4116-BL(TE85R,F)	B	50.6/28.4
Q7	1560000541	S.FET 2SK880-Y(T5RICOM,F)	B	82.4/30.6
Q8	1530002851	S.TRA 2SC4116-BL(TE85R,F)	B	79.3/37.8
Q9	1530002851	S.TRA 2SC4116-BL(TE85R,F)	B	82.1/35.4
Q10	1560001360	S.FET 2SK3019 TL	B	76.5/45.2
Q12	1530002601	S.TRA 2SC4215-O(TE85R,F)	T	26.8/19.2
Q13	1530002851	S.TRA 2SC4116-BL(TE85R,F)	B	31.8/9.9
Q16	1590003291	S.TRA UNR9213G0L	T	113.1/46.6
Q17	1530002920	S.TRA 2SC4226-T1 R25	T	60.7/41.9
Q18	1530002920	S.TRA 2SC4226-T1 R25	T	60.7/35.4
Q19	1530002920	S.TRA 2SC4226-T1 R25	T	60.7/28.9
Q20	1590003231	S.TRA UNR9113G0L	B	34.1/24.9
Q22	1530003311	S.TRA 2SC5107-O(TE85R,F)	T	56.7/33.6
Q23	1590001400	S.TRA XP1214(TX)	B	57.6/40.5
Q24	1590003291	S.TRA UNR9213G0L	B	55/40.5
Q25	1530004110	S.TRA MT3S37T(TE85L,F)	T	55.2/36.9
Q26	1590001400	S.TRA XP1214(TX)	B	56.6/33.5
Q27	1590003231	S.TRA UNR9113G0L	T	126.2/48.7
Q28	1590003291	S.TRA UNR9213G0L	B	123/46.1
Q29	1530003311	S.TRA 2SC5107-O(TE85R,F)	T	50.8/35.5
Q30	1530003311	S.TRA 2SC5107-O(TE85R,F)	B	64.3/62.9
Q31	1580000731	S.FET 3SK293(TE85L,F)	B	9.5/38.8
Q32	1560000841	S.FET 2SK1829(TE85R,F)	T	9.8/40.4
Q33	1530002851	S.TRA 2SC4116-BL(TE85R,F)	[A]	
	1530002851	S.TRA 2SC4116-BL(TE85R,F)	[B]	
Q34	1590003291	S.TRA UNR9213G0L	T	83/67.4
Q35	1520000460	S.TRA 2SB1132 T100 R	T	100.1/57.9
Q36	1590001190	S.TRA XP6501-(TX).AB	T	104.3/55.8
Q37	1540000550	S.TRA 2SD1664 T100Q	T	75.5/63.6
Q38	1510000920	S.TRA 2SA1577 T106 Q	T	64.9/54.1
Q39	1590003291	S.TRA UNR9213G0L	T	68.5/54.8
Q40	1590003291	S.TRA UNR9213G0L	T	103/52.9
Q41	1590001451	S.FET 2SJ144-GR (TE85R,F)	B	114.7/85.7
Q42	1590003291	S.TRA UNR9213G0L	B	131.7/43.6
Q43	1590000990	S.TRA DTC363EK T146	B	135.7/49
Q44	1590003291	S.TRA UNR9213G0L	T	108.9/20.3
Q45	1590003291	S.TRA UNR9213G0L	B	133.3/58.9
Q46	1590003291	S.TRA UNR9213G0L	T	119.2/85.6
Q47	1550000100	S.FET 2SJ377 (TE16L1,NQ)	B	131.3/71.5
Q48	1590003291	S.TRA UNR9213G0L	B	124.9/77.8
Q49	1530002851	S.TRA 2SC4116-BL(TE85R,F)	B	138.7/37.1
Q50	1530002601	S.TRA 2SC4215-O(TE85R,F)	T	40.2/39
Q51	1590003321	S.FET TPC6103(TE85L,F)	B	133.6/63.4
Q52	1590003291	S.TRA UNR9213G0L	B	128.2/61.1
Q53	1530000372	S.TRA 2SC3356-T1B R (R24)	B	68.4/68
Q54	1590003291	S.TRA UNR9213G0L	B	51.9/67.1
Q55	1560001360	S.FET 2SK3019 TL	T	74.1/20.3
Q56	1560001360	S.FET 2SK3019 TL	T	24.6/8
Q57	1590003291	S.TRA UNR9213G0L	T	111.1/13.4
D1	1750001070	S.DIO DAN235ETL	T	8.8/14.9
D2	1750001070	S.DIO DAN235ETL	T	22.5/8.5
D4	1790001261	S.DIO MA2S077G0L	T	52.5/43.6
D5	1790001261	S.DIO MA2S077G0L	T	52.5/41
D6	1750001070	S.DIO DAN235ETL	T	29.2/20.9
D7	1160000140	S.DIO DAP222 TL	T	59/13.8
D8	1750000711	S.VAR HVC350BTRF-E	T	68.2/42.7
D9	1750001150	S.VAR HVC383BTRF-E	T	70.5/44.7
D10	1750000711	S.VAR HVC350BTRF-E	T	68.2/36.2
D11	1750001150	S.VAR HVC383BTRF-E	T	70.5/38.2
D12	1750000711	S.VAR HVC350BTRF-E	T	68.2/29.7
D13	1750001150	S.VAR HVC383BTRF-E	T	70.5/31.7
D14	1720000570	S.VAR MA368(TX)	T	65.8/33.3
D15	1750000711	S.VAR HVC350BTRF-E	B	5.5/43.5
D16	1750000711	S.VAR HVC350BTRF-E	B	6.8/43.5

M.=Mounted side (T: Mounted on the Top side, B: Mounted on the Bottom side)
S.=Surface mount

[MAIN UNIT] (For IC-F6060 series)

REF NO.	PARTS NO.	DESCRIPTION	M.	H/V LOCATION
D17	1750000711	S.VAR HVC350BTRF-E	B	6.8/50.1
D18	1750000711	S.VAR HVC350BTRF-E	B	5.5/50.1
D19	1160000140	S.DIO DAP222 TL	B	120.3/17.6
D21	1750001070	S.DIO DAN235ETL	T	31.9/37.5
D22	1750000520	S.DIO DAN222TL	T	125.4/51
D23	1790001261	S.DIO MA25077G0L	T	125/38.9
D24	1750000581	S.DIO 1SV307(TPH3,F)	B	50.8/47.1
D25	1790001261	S.DIO MA25077G0L	B	48.3/46
D26	1750000711	S.VAR HVC350BTRF-E	B	14.1/36.1
D27	1750000711	S.VAR HVC350BTRF-E	B	10.7/36.1
D30	1750000711	S.VAR HVC350BTRF-E	B	18.3/36.2
D31	1790001251	S.DIO MA2S1110GL	T	6.2/42.2
D35	1790001261	S.DIO MA25077G0L	B	20/50.9
D36	1790001241	S.DIO MA2S7280GL	B	11.9/50.8
D37	1750000370	S.DIO DA221 TL	T	75.2/68
D38	1750000511	S.DIO UX9401F-STD/TR <INT>	[M]	T 31.2/66.7
	1750000511	S.DIO UX9401F-STD/TR <INT>	[J]	
	1750000511	S.DIO UX9401F-STD/TR <INT>	[N]	
D39	1710001061	DIO L407CDB	[A]	
	1710001061	DIO L407CDB	[B]	
D42	1750001360	S.DIO L709CER (9401)	T	26.5/58
D45	1750000520	S.DIO DAN222TL	T	91.8/57.5
D46	1750000520	S.DIO DAN222TL	T	89.6/57.5
D47	1790001211	S.DIO 1SS375-TL-E	B	37.7/61.7
D48	1750000520	S.DIO DAN222TL	B	95.5/55.5
D49	1790000661	S.DIO MA2J7280GL	B	8.9/57.1
D50	1750000370	S.DIO DA221 TL	B	98.8/66.5
D51	1790000661	S.DIO MA2J7280GL	B	5.2/79.3
D52	1750000520	S.DIO DAN222TL	B	132.6/40.8
D53	1790001251	S.DIO MA2S1110GL	B	133.3/47.3
D55	1750000370	S.DIO DA221 TL	B	98.8/63
D56	1750000370	S.DIO DA221 TL	B	96.7/63
D57	1750000370	S.DIO DA221 TL	B	96.7/66.5
D58	1750000520	S.DIO DAN222TL	B	101.2/83.1
D59	1750000520	S.DIO DAN222TL	B	101.2/81
D62	1790000700	DIO DSA3A1	B	112.3/82.2
D63	1750000520	S.DIO DAN222TL	B	129.7/58.9
D65	1750000520	S.DIO DAN222TL	B	129.7/58.9
D66	1790001621	S.DIO 1SV308(TPL3,F)	T	29.5/36.7
D67	1790001621	S.DIO 1SV308(TPL3,F)	T	34.3/36.7
D68	1790001621	S.DIO 1SV308(TPL3,F)	T	28.7/23.3
D69	1790001621	S.DIO 1SV308(TPL3,F)	T	30/23.3
D70	1730002411	S.ZEN MAZ8200GHL	T	120/83.6
D71	1750000520	S.DIO DAN222TL	B	94.6/62.3
D72	1750000520	S.DIO DAN222TL	B	94.8/59.1
F11	2020002500	CER LT450GW <JJE>		
F12	2020002510	CER LTW450HT <JJE>		
F13	2030000500	S.MON DSF753SBF 46.35 MHz (FL-401)	T	24.7/28.5
F14	2030000150	S.MON DSF753SB 46.350 MHz (FL-335)	T	35.6/28.4
F15	2040001440	S.LC NFE31PT152Z1E9L (NFM60R20T152)	B	94.5/77
F16	2040001440	S.LC NFE31PT152Z1E9L (NFM60R20T152)	B	94.5/73.7
F17	2040001440	S.LC NFE31PT152Z1E9L (NFM60R20T152)	[A]	B 94.5/70.4
	2040001440	S.LC NFE31PT152Z1E9L (NFM60R20T152)	[B]	
X1	6050012380	S.XTA CR-826 DSA535SD 15.3 MHz	T	86.1/34.6
X2	6050011730	S.XTA CR-765 SMD-49TA 3.6864 MHz <KDS>	T	48.6/12
X3	6070000300	S.DIS JTBM450CX24 <JJE>	T	37.1/10.3
X4	6050012320	S.XTA CR-818 SMD-49 A.194304 MHz <KDS>	T	139.1/21.9
X5	6050011720	S.XTA CR-764 SMD-49TB 19.6608 MHz <KDS>	T	120.4/44.4
L1	6200004660	S.COI MLF1608A 1R8K-T	B	80.7/52.1
L2	6200003540	S.COI MLF1608D R22K-T	B	34.4/14.7
L3	6200004480	S.COI MLF1608D R82K-T	B	29.6/16.2
L4	6200005671	S.COI ELJRE 12NGFA	T	54.4/43.9
L5	6200004741	S.COI NLV25T-1R2J	T	72.9/43.5
L6	6200004741	S.COI NLV25T-1R2J	T	70.4/41
L7	6200004741	S.COI NLV25T-1R2J	T	72.9/37
L8	6200004741	S.COI NLV25T-1R2J	T	72.9/30.5
L9	6200004741	S.COI NLV25T-1R2J	T	70.4/28
L10	6200012970	S.COI 0.30-0.91-4TR 8.6N <COMO>	[A]	T 67.1/44.7
	6200012970	S.COI 0.30-0.91-4TR 8.6N <COMO>	[M]	
	6200012970	S.COI 0.30-0.91-4TR 8.6N <COMO>	[J]	
L12	6200012970	S.COI 0.30-0.91-4TR 8.6N <COMO>	[A]	T 67.1/38.2
	6200012970	S.COI 0.30-0.91-4TR 8.6N <COMO>	[M]	
	6200012970	S.COI 0.30-0.91-4TR 8.6N <COMO>	[J]	
L13	6200004741	S.COI NLV25T-1R2J	T	70.4/34.5
L15	6200012390	S.COI 0.30-0.92-3TR 5.8N <COMO>	T	67.1/31.4
L16	6200010030	S.COI C2012C-15NG-A	[A]	B 21.1/35.6
	6200010030	S.COI C2012C-15NG-A	[M]	
	6200010030	S.COI C2012C-15NG-A	[J]	
	6200010020	S.COI C2012C-12NG-A	[B]	
	6200010020	S.COI C2012C-12NG-A	[N]	
L17	6200004741	S.COI NLV25T-1R2J	[A]	T 57.7/30
	6200004741	S.COI NLV25T-1R2J	[M]	
	6200004741	S.COI NLV25T-1R2J	[J]	
	6200002851	S.COI NLV25T-R82J	[B]	
	6200002851	S.COI NLV25T-R82J	[N]	
L18	6130003000	S.COI #617DB-1714=P3	B	39/36.2
L19	6130003000	S.COI #617DB-1714=P3	B	34.5/42.6
L20	6200005721	S.COI ELJRE 13NGFA	T	54.2/32.6
L21	6200005671	S.COI ELJRE 12NGFA	T	54.4/39.1

[MAIN UNIT] (For IC-F6060 series)

REF NO.	PARTS NO.	DESCRIPTION	M.	H/V LOCATION
L22	6200005711	S.COI ELJRE 27NGFA	[A]	B 40.2/46
	6200005711	S.COI ELJRE 27NGFA	[M]	
	6200005711	S.COI ELJRE 27NGFA	[J]	
	6200005691	S.COI ELJRE 18NGFA	[B]	
	6200005691	S.COI ELJRE 18NGFA	[N]	
L23	6200005711	S.COI ELJRE 27NGFA	[A]	B 42.9/46
	6200005711	S.COI ELJRE 27NGFA	[M]	
	6200005711	S.COI ELJRE 27NGFA	[J]	
	6200005691	S.COI ELJRE 18NGFA	[B]	
	6200005691	S.COI ELJRE 18NGFA	[N]	
L24	6130003000	S.COI #617DB-1714=P3		27/36.2
L25	6200005711	S.COI ELJRE 27NGFA	T	50/38.4
L26	6200010030	S.COI C2012C-15NG-A	B	15.9/35.6
	6200010030	S.COI C2012C-15NG-A	[A]	
	6200010030	S.COI C2012C-15NG-A	[M]	
	6200010020	S.COI C2012C-12NG-A	[J]	
	6200010020	S.COI C2012C-12NG-A	[B]	
	6200010020	S.COI C2012C-12NG-A	[N]	
L27	6200005711	S.COI ELJRE 27NGFA	[A]	B 65.2/65.4
	6200010030	S.COI C2012C-15NG-A	[A]	B 7/36.7
	6200010030	S.COI C2012C-15NG-A	[M]	
	6200010020	S.COI C2012C-12NG-A	[J]	
	6200010020	S.COI C2012C-12NG-A	[B]	
	6200010020	S.COI C2012C-12NG-A	[N]	
L29	6200005641	S.COI ELJRE 6N8ZFA	B	73.5/69
L30	6200005691	S.COI ELJRE 18NGFA	T	73.5/73.7
	6200005701	S.COI ELJRE 22NGFA	[A]	
	6200005701	S.COI ELJRE 22NGFA	[M]	
	6200005691	S.COI ELJRE 18NGFA	[B]	
	6200005691	S.COI ELJRE 18NGFA	[N]	
L31	6200010210	S.COI C2012C-22NG-A	[A]	B 9.2/44.8
	6200010210	S.COI C2012C-22NG-A	[M]	
	6200010210	S.COI C2012C-22NG-A	[J]	
	6200009980	S.COI C2012C-18NG-A	[B]	
	6200009980	S.COI C2012C-18NG-A	[N]	
L32	6200010210	S.COI C2012C-22NG-A	[A]	B 9.2/48.8
	6200010210	S.COI C2012C-22NG-A	[M]	
	6200010210	S.COI C2012C-22NG-A	[J]	
	6200009980	S.COI C2012C-18NG-A	[B]	
	6200009980	S.COI C2012C-18NG-A	[N]	
L33	6200010150	S.COI AS080340-15N	T	32.6/75.2
L34	6200010100	S.COI C2012C-33NG-A	B	13.7/50
L35	6200005691	S.COI ELJRE 18NGFA	[A]	B 23/50.7
	6200005691	S.COI ELJRE 18NGFA	[M]	
	6200005691	S.COI ELJRE 18NGFA	[J]	
	6200006771	S.COI ELJRE 1N5ZFA	[B]	
	6200006771	S.COI ELJRE 1N5ZFA	[N]	
L36	6200010420	S.COI FHW1210HC 1R0JGT <JJE>	B	31.2/68
L37	6200010150	S.COI AS080340-15N	T	30.3/58.1
L38	6200010150	S.COI AS080340-15N	T	22.2/58.3
L39	6200010150	S.COI AS080340-15N	T	14.3/60.3
L40	6200010150	S.COI AS080340-15N	T	10.3/82.4
L41	6200002861	S.COI NLV25T-4R7J	T	111.3/55.1
L42	6200005011	S.COI NLV25T-100J	T	40.1/41.6
L43	6200010680	S.COI C2520C-R22G-A (0.22U)	T	41.2/35.1
L44	6200010740	S.COI C2520C-R27G-A	T	35.9/39.5
L45	6200010150	S.COI AS080340-15N	T	6.4/58.3
L46	6200005711	S.COI ELJRE 27NGFA	B	71.1/68.8
L47	6200012390	S.COI 0.30-0.92-3TR 5.8N <COMO>	[B]	T 65.1/44.7
	6200012390	S.COI 0.30-0.92-3TR 5.8N <COMO>	[N]	
L48	6200012390	S.COI 0.30-0.92-3TR 5.8N <COMO>	[B]	T 65.1/38.2
	6200012390	S.COI 0.30-0.92-3TR 5.8N <COMO>	[N]	
R1	7030005060	S.RES ERJ2GEJ 333 X (33K)	B	38.6/6
R2	7510001730	S.THE ERTJOEP 473J	T	89.3/32.2
R3	7030005050	S.RES ERJ2GEJ 103 X (10K)	T	78.5/11.6
R4	7030005230	S.RES ERJ2GEJ 334 X (330K)	B	88.8/18.5
R5	7030005090	S.RES ERJ2GEJ 104 X (100K)	T	89.8/33.5
R6	7030005700	S.RES ERJ2GEJ 274 X (270K)	T	87.7/19.4
R7	7030005230	S.RES ERJ2GEJ 334 X (330K)	T	84.3/17.5
R8	7410001130	S.ARR EXB28V102JX	T	86.9/52.4
R9	7030007570	S.RES ERJ2GEJ 122 X (1.2K)	B	35.4/11.4
R10	7030007060	S.RES ERJ2GEJ 684X (680K)	B	35.8/13.7
R11	7030010040	S.RES ERJ2GEJ-JPW	T	9.3/12.9
R12	7030004970	S.RES ERJ2GEJ 470 X (47)	T	34.1/6.4
R13	7030007340	S.RES ERJ2GEJ 153 X (15K)	T	8.9/16.5
R14	7030007340	S.RES ERJ2GEJ 153 X (15K)	T	9.3/9.3
R15	7030005070	S.RES ERJ2GEJ 683 X (68K)	B	93.3/14.4
R17	7030007570	S.RES ERJ2GEJ 122 X (1.2K)	B	93.3/15.3
R18	7030008300	S.RES ERJ2GEJ 184 X (180K)	B	81.5/7.3
R19	7030005230	S.RES ERJ2GEJ 334 X (330K)	T	86.3/9.9
R20	7030005090	S.RES ERJ2GEJ 104 X (100K)	T	77.9/8.2
R21	7030005070	S.RES ERJ2GEJ 683 X (68K)	T	88.5/8.9
R22	7030005050	S.RES ERJ2GEJ 103 X (10K)	B	38.6/7.7
R23	7030005050	S.RES ERJ2GEJ 103 X (10K)	B	38.6/9.4
R24	7030005060	S.RES ERJ2GEJ 333 X (33K)	B	37.7/10.7
R25	7030005120	S.RES ERJ2GEJ 102 X (1K)	B	101/51.6
R26	7030005000	S.RES ERJ2GEJ 471 X (470)	B	96.7/5.7
R27	7030007300	S.RES ERJ2GEJ 332 X (3.3K)	T	53.9/5.6
R28	7030010040	S.RES ERJ2GEJ-JPW	T	59.6/5.4
R29	7030005000	S.RES ERJ2GEJ 471 X (470)	T	114.5/10.2
R30	7030005170	S.RES ERJ2GEJ 474 X (470K)	B	37.7/9.4
R31	7030007340	S.RES ERJ2GEJ 153 X (15K)	B	36.8/9
R32	7030005720	S.RES ERJ2GEJ 563 X (56K)	B	37.7/7.7
R33	7030005160	S.RES ERJ2GEJ 105 X (10M)	T	81/8.4
R34	7030005040	S.RES ERJ2GEJ 472 X (4.7K)	T	79/10
R35	7030005120	S.RES ERJ2GEJ 102 X (1K)	T	81.5/7.2
R36	7030007270	S.RES ERJ2GEJ 151 X (150)	B	25.8/14.4
R37	7030005210	S.RES ERJ2GEJ 822 X (8.2K)	B	15/7.3
R38	7030007340	S.RES ERJ2GEJ 153 X (15K)	T	23.1/6.2
R39	7030007340	S.RES ERJ2GEJ 153 X (15K)	T	22.8/10.2
R40	7030005240	S.RES ERJ2GEJ 473 X (47K)	T	25.9/10.6
R41	7030007290	S.RES ERJ2GEJ 222 X (2.2K)	T	26.4/5.3
R42	7030005090	S.RES ERJ2GEJ 104 X (100K)	B	94.7/11.7
R43	7030007300	S.RES ERJ2GEJ 332 X (3.3K)	B	95.2/10.4

M.=Mounted side (T: Mounted on the Top side, B: Mounted on the Bottom side) S.=Surface mount

[MAIN UNIT] (For IC-F6060 series)

REF NO.	PARTS NO.	DESCRIPTION	M.	H/V LOCATION
R44	7030007340	S.RES ERJ2GEJ 153 X (15K)	B	90.8/12.9
R45	7030005220	S.RES ERJ2GEJ 223 X (22K)	B	91.9/10.0
R46	7030005040	S.RES ERJ2GEJ 472 X (4.7K)	T	90.5/13.7
R47	7030005050	S.RES ERJ2GEJ 103 X (10K)	T	90.9/12.7
R48	7030005060	S.RES ERJ2GEJ 333 X (33K)	B	51.1/8.1
R49	7030005160	S.RES ERJ2GEJ 105 X (1M)	B	49.9/13.6
R50	7030005090	S.RES ERJ2GEJ 104 X (100K)	B	49.9/11.1
R51	7030005290	S.RES ERJ2GEJ 682 X (6.8K)	T	52.6/8.6
R52	7030007340	S.RES ERJ2GEJ 153 X (15K)	B	63.3/12.6
R53	7030005000	S.RES ERJ2GEJ 471 X (470)	T	84.4/38.2
R54	7030005120	S.RES ERJ2GEJ 102 X (1K)	B	81.3/43.4
R55	7030007290	S.RES ERJ2GEJ 222 X (2.2K)	B	83.5/26.5
R56	7030004980	S.RES ERJ2GEJ 101 X (100)	B	81.6/39.1
R57	7030005090	S.RES ERJ2GEJ 104 X (100K)	B	28/14.3
R58	7030004980	S.RES ERJ2GEJ 101 X (100)	T	26.4/8.1
R59	7030005240	S.RES ERJ2GEJ 473 X (47K)	T	26.8/7.2
R60	7030005000	S.RES ERJ2GEJ 471 X (470)	T	31/10.3
R61	7030005040	S.RES ERJ2GEJ 472 X (4.7K)	T	27.7/8.4
R62	7030005040	S.RES ERJ2GEJ 472 X (4.7K)	B	32.7/12.5
R63	7030005220	S.RES ERJ2GEJ 223 X (22K)	B	91.9/8.3
R64	7030005220	S.RES ERJ2GEJ 223 X (22K)	B	91.9/6.6
R65	7030005090	S.RES ERJ2GEJ 104 X (100K)	B	51.1/9.1
R67	7030005290	S.RES ERJ2GEJ 682 X (6.8K)	T	53.5/8.6
R68	7030007290	S.RES ERJ2GEJ 222 X (2.2K)	B	53.7/17.7
R69	7030010040	S.RES ERJ2GEJ-JPW	T	85.6/16.8
R71	7030005090	S.RES ERJ2GEJ 104 X (100K)	T	54.5/8.6
R72	7030007290	S.RES ERJ2GEJ 222 X (2.2K)	B	50.9/30.2
R73	7030004980	S.RES ERJ2GEJ 101 X (100)	B	80.3/29.7
R74	7030007570	S.RES ERJ2GEJ 122 X (1.2K)	B	83.1/27.8
R75	7030005290	S.RES ERJ2GEJ 682 X (6.8K)	B	82.6/42.4
R76	7030005050	S.RES ERJ2GEJ 103 X (10K)	B	82.4/33.3
R77	7030005580	S.RES ERJ2GEJ 560 X (56)	B	83.2/48
R78	7030005220	S.RES ERJ2GEJ 223 X (22K)	B	81.6/37.3
R79	7030007340	S.RES ERJ2GEJ 153 X (15K)	T	51.1/42.8
R80	7030007340	S.RES ERJ2GEJ 153 X (15K)	T	51.1/41.8
R81	7030005090	S.RES ERJ2GEJ 104 X (100K)	B	74.9/45.2
R82	7030005110	S.RES ERJ2GEJ 224 X (220K)	B	71.7/27.3
R83	7030008400	S.RES ERJ2GEJ 182 X (1.8K)	T	32.6/9.3
R84	7030007280	S.RES ERJ2GEJ 331 X (330)	T	24.6/18.3
R85	7030005110	S.RES ERJ2GEJ 224 X (220K)	T	24.2/19.3
R86	7030007300	S.RES ERJ2GEJ 332 X (3.3K)	B	33.4/8.8
R87	7030007300	S.RES ERJ2GEJ 332 X (3.3K)	T	30.5/19.3
R88	7030005120	S.RES ERJ2GEJ 102 X (1K)	B	90.7/6.6
R90	7030005000	S.RES ERJ2GEJ 471 X (470)	B	89.8/18.5
R91	7030005230	S.RES ERJ2GEJ 334 X (330K)	T	86.4/12.8
R93	7030005310	S.RES ERJ2GEJ 124 X (120K)	T	83.9/8.4
R94	7030005080	S.RES ERJ2GEJ 823 X (82K)	T	106.7/36.7
R95	7030005720	S.RES ERJ2GEJ 563 X (56K)	T	106.3/35.7
R96	7030005240	S.RES ERJ2GEJ 473 X (47K)	B	63.7/15.1
R97	7030005060	S.RES ERJ2GEJ 333 X (33K)	B	52.2/12.7
R98	7030005040	S.RES ERJ2GEJ 472 X (4.7K)	B	63.7/18.9
R99	7030005240	S.RES ERJ2GEJ 473 X (47K)	B	63.7/18
R100	7030005120	S.RES ERJ2GEJ 102 X (1K)	B	84.4/32.4
R101	7030007280	S.RES ERJ2GEJ 331 X (330)	B	80.1/32.9
R102	7030005530	S.RES ERJ2GEJ 100 X (10)	T	22.5/19.3
R103	7030005600	S.RES ERJ2GEJ 273 X (27K)	T	28.7/25.5
R104	7030007280	S.RES ERJ2GEJ 331 X (330)	T	25/22.5
R105	7030005600	S.RES ERJ2GEJ 273 X (27K)	B	32.4/24.2
R106	7030007270	S.RES ERJ2GEJ 151 X (150)	T	33.9/22.5
R108	7030005240	S.RES ERJ2GEJ 473 X (47K)	B	81/18.9
R109	7030005700	S.RES ERJ2GEJ 274 X (270K)	B	81/18.9
R110	7030005050	S.RES ERJ2GEJ 103 X (10K)	T	78.4/20.8
R111	7030005050	S.RES ERJ2GEJ 103 X (10K)	T	96.2/28.5
R112	7030005700	S.RES ERJ2GEJ 274 X (270K)	T	81.7/20.2
R113	7030005240	S.RES ERJ2GEJ 473 X (47K)	B	57.4/19.5
R114	7030005090	S.RES ERJ2GEJ 104 X (100K)	B	54.1/13.4
R115	7030005090	S.RES ERJ2GEJ 104 X (100K)	T	113.7/17.8
R116	7030005090	S.RES ERJ2GEJ 104 X (100K)	B	78.4/15.4
R117	7030005050	S.RES ERJ2GEJ 103 X (10K)	B	81.6/38.2
R118	7030005700	S.RES ERJ2GEJ 274 X (270K)	[A] T	88.5/9.9
	7030005700	S.RES ERJ2GEJ 274 X (270K)	[M] T	
	7030005700	S.RES ERJ2GEJ 274 X (270K)	[J] T	
	7030005230	S.RES ERJ2GEJ 334 X (330K)	[B] T	
	7030005230	S.RES ERJ2GEJ 334 X (330K)	[N] T	
R120	7030007280	S.RES ERJ2GEJ 331 X (330)	T	26.5/34.4
R122	7030005600	S.RES ERJ2GEJ 273 X (27K)	T	28.8/35.2
R123	7030005600	S.RES ERJ2GEJ 273 X (27K)	T	34.1/35.2
R125	7030007270	S.RES ERJ2GEJ 151 X (150)	T	36.4/34.4
R127	7030005050	S.RES ERJ2GEJ 103 X (10K)	B	78.2/18.7
R128	7030005240	S.RES ERJ2GEJ 473 X (47K)	T	111.5/45.4
R129	7030005040	S.RES ERJ2GEJ 472 X (4.7K)	T	111.1/44.5
R130	7030005070	S.RES ERJ2GEJ 683 X (68K)	T	103.5/41.8
R131	7030005070	S.RES ERJ2GEJ 683 X (68K)	T	103.5/43.6
R132	7030004980	S.RES ERJ2GEJ 101 X (100)	T	113.8/16.5
R133	7030005090	S.RES ERJ2GEJ 104 X (100K)	T	109.6/11.8
R134	7030005160	S.RES ERJ2GEJ 105 X (1M)	T	129.8/25.5
R135	7030005160	S.RES ERJ2GEJ 105 X (1M)	T	129.8/24.2
R136	7030005160	S.RES ERJ2GEJ 105 X (1M)	T	129.8/22.9
R138	7030005530	S.RES ERJ2GEJ 100 X (10)	T	63.8/31.3
R139	7410001140	S.ARR EXB28V104JX	T	133.8/19.8
R140	7030006020	S.RES RR0510P-682-D (6.8K)	T	62.9/44.3
R141	7030006020	S.RES RR0510P-682-D (6.8K)	T	62.9/42.6
R142	7030010040	S.RES ERJ2GEJ-JPW	T	61.6/43.9
R143	7030006020	S.RES RR0510P-682-D (6.8K)	T	62.9/37.8
R144	7030006020	S.RES RR0510P-682-D (6.8K)	T	62.9/36.1
R145	7030010040	S.RES ERJ2GEJ-JPW	T	61.6/37.4
R146	7030006020	S.RES RR0510P-682-D (6.8K)	T	62.9/31.3
R147	7030006020	S.RES RR0510P-682-D (6.8K)	T	62.9/29.6
R148	7030009320	S.RES ERJ2GEJ 4R7 X (4.7)	T	61.6/30.9
R149	7030005110	S.RES ERJ2GEJ 224 X (220K)	B	65.1/32.6
R150	7030008290	S.RES ERJ2GEJ 183 X (18K)	B	79.2/28.2

[MAIN UNIT] (For IC-F6060 series)

REF NO.	PARTS NO.	DESCRIPTION	M.	H/V LOCATION
R151	7030005220	S.RES ERJ2GEJ 223 X (22K)	[A] B	80.5/27.8
	7030005220	S.RES ERJ2GEJ 223 X (22K)	[M] B	
	7030005220	S.RES ERJ2GEJ 223 X (22K)	[J] B	
	7030008290	S.RES ERJ2GEJ 183 X (18K)	[B] B	
	7030008290	S.RES ERJ2GEJ 183 X (18K)	[N] B	
R152	7030005090	S.RES ERJ2GEJ 104 X (100K)	B	81.8/28.2
R153	7030007300	S.RES ERJ2GEJ 332 X (3.3K)	T	36.4/42.1
R154	7030004970	S.RES ERJ2GEJ 470 X (47)	T	42.9/40
R155	7030007290	S.RES ERJ2GEJ 222 X (2.2K)	T	39.9/33
R156	7030004970	S.RES ERJ2GEJ 470 X (47)	T	42.3/41.2
R157	7030005090	S.RES ERJ2GEJ 104 X (100K)	B	30.1/24.9
R158	7030005240	S.RES ERJ2GEJ 473 X (47K)	T	111.1/42.7
R159	7030005240	S.RES ERJ2GEJ 473 X (47K)	T	111.5/40.9
R160	7030005240	S.RES ERJ2GEJ 473 X (47K)	T	113.7/39.9
R161	7030005070	S.RES ERJ2GEJ 683 X (68K)	T	105.4/48.4
R162	7030005240	S.RES ERJ2GEJ 473 X (47K)	T	127.8/16.3
R163	7030005240	S.RES ERJ2GEJ 473 X (47K)	T	128.7/17.2
R164	7030005240	S.RES ERJ2GEJ 473 X (47K)	T	129.6/16.3
R165	7030005230	S.RES ERJ2GEJ 334 X (330K)	T	129.8/21.6
R166	7030005230	S.RES ERJ2GEJ 334 X (330K)	T	129.8/20.3
R167	7030005230	S.RES ERJ2GEJ 334 X (330K)	T	129.8/19
R168	7030011180	S.RES RR0510P-391-D (390)	B	60/42.5
R169	7030009820	S.RES RR0510P-681-D (680)	[A] B	60/38.6
	7030009820	S.RES RR0510P-681-D (680)	[M] B	
	7030009820	S.RES RR0510P-681-D (680)	[J] B	
	7030011180	S.RES RR0510P-391-D (390)	[B] B	
	7030011180	S.RES RR0510P-391-D (390)	[N] B	
R170	7030009820	S.RES RR0510P-681-D (680)	B	55.7/31.5
R171	7030005310	S.RES ERJ2GEJ 124 X (120K)	T	57/31.8
R172	7030008280	S.RES ERJ2GEJ 271 X (270)	B	37.5/44.6
R173	7030007270	S.RES ERJ2GEJ 151 X (150)	B	40/32.8
R176	7030005590	S.RES ERJ2GEJ 680 X (68)	B	31.3/37.4
R177	7030005590	S.RES ERJ2GEJ 680 X (68)	B	31.3/35
R178	7030005240	S.RES ERJ2GEJ 473 X (47K)	T	113.7/38.9
R179	7030008300	S.RES ERJ2GEJ 184 X (180K)	T	117.1/34.6
R180	7030005720	S.RES ERJ2GEJ 563 X (56K)	T	117.5/35.6
R181	7030005220	S.RES ERJ2GEJ 223 X (22K)	T	117.1/36.6
R182	7030005120	S.RES ERJ2GEJ 102 X (1K)	T	117.5/33.6
R183	7030005070	S.RES ERJ2GEJ 683 X (68K)	T	103.7/48.4
R184	7030005220	S.RES ERJ2GEJ 223 X (22K)	T	115.4/36.6
R185	7030005700	S.RES ERJ2GEJ 683 X (68K)	B	102.3/45.6
R186	7030005160	S.RES ERJ2GEJ 105 X (1M)	T	81.3/19.3
R187	7030005600	S.RES ERJ2GEJ 333 X (33K)	T	81.3/17.5
R188	7030005090	S.RES ERJ2GEJ 104 X (100K)	T	78.9/14.6
R189	7030005720	S.RES ERJ2GEJ 563 X (56K)	T	78.5/15.8
R190	7030007350	S.RES ERJ2GEJ 393 X (39K)	T	80.9/18.4
R191	7030004980	S.RES ERJ2GEJ 101 X (100)	T	54.2/30.4
R192	7030008280	S.RES ERJ2GEJ 271 X (270)	B	52.6/35.9
R193	7030005050	S.RES ERJ2GEJ 103 X (10K)	B	57.5/31.5
R194	7030007340	S.RES ERJ2GEJ 153 X (15K)	T	53.5/36.7
R195	7030007260	S.RES ERJ2GEJ 330 X (33)	T	51/33.4
R196	7030005050	S.RES ERJ2GEJ 103 X (10K)	B	56.8/35.3
R197	7030005050	S.RES ERJ2GEJ 103 X (10K)	B	55/38.5
R198	7030010090	S.RES ERJ2GEJ 180 X (18)	B	38/46
R199	7030008280	S.RES ERJ2GEJ 271 X (270)	B	38.5/44.6
R200	7030005050	S.RES ERJ2GEJ 103 X (10K)	B	8.4/20.6
R201	7410001130	S.ARR EXB28V102JX	B	117/51.7
R202	7030005090	S.RES ERJ2GEJ 104 X (100K)	T	127.1/46.7
R203	7030005120	S.RES ERJ2GEJ 102 X (1K)	B	126.7/42.2
R204	7410000750	S.ARR EXB-V4V 104JV (100K)	B	129.6/40.5
R205	7030008010	S.RES ERJ2GEJ 123 X (12K)	T	126.2/39.2
R206	7030005120	S.RES ERJ2GEJ 102 X (1K)	B	128.7/37.1
R207	7030005050	S.RES ERJ2GEJ 103 X (10K)	T	120.3/37
R208	7030005050	S.RES ERJ2GEJ 103 X (10K)	T	121/37.7
R209	7410001130	S.ARR EXB28V102JX	B	128.6/39.5
R210	7030008010	S.RES ERJ2GEJ 123 X (12K)	T	123.6/37.9
R211	7030008010	S.RES ERJ2GEJ 123 X (12K)	T	125.5/40.8
R212	7030005160	S.RES ERJ2GEJ 105 X (1M)	T	121.7/40.8
R213	7030005070	S.RES ERJ2GEJ 683 X (68K)	T	49/35
R214	7030004980	S.RES ERJ2GEJ 101 X (100)	B	49/35
R215	7030005050	S.RES ERJ2GEJ 103 X (10K)	B	48.8/51.4
R216	7030004980	S.RES ERJ2GEJ 101 X (100)	[A] B	49.8/49.7
	7030005120	S.RES ERJ2GEJ 102 X (1K)	[M] B	
	7030005120	S.RES ERJ2GEJ 102 X (1K)	[J] B	
	7030004980	S.RES ERJ2GEJ 101 X (100)	[B] B	
	7030005120	S.RES ERJ2GEJ 102 X (1K)	[N] B	
R218	7030010040	S.RES ERJ2GEJ-JPW	T	53.5/34.9
R219	7030005050	S.RES ERJ2GEJ 103 X (10K)	B	46.8/44.6
R220	7030005040	S.RES ERJ2GEJ 472 X (4.7K)	B	49.7/44.8
R221	7030004980	S.RES ERJ2GEJ 101 X (100)	B	46.8/42.9
R222	7030005110	S.RES ERJ2GEJ 224 X (220K)	B	13.5/33.1
R223	7030005110	S.RES ERJ2GEJ 224 X (220K)	B	10.7/33.1
R224	7030005050	S.RES ER		

[MAIN UNIT] (For IC-F6060 series)

REF NO.	PARTS NO.	DESCRIPTION	M.	H/V LOCATION
R248	7410001130	S.ARR EXB28V102JX	B	103.9/47.9
R249	7410001130	S.ARR EXB28V102JX	B	123.6/27.2
R250	7410001130	S.ARR EXB28V102JX	B	121.9/25.3
R251	7410001140	S.ARR EXB28V104JX	T	122.2/27.9
R252	7410001140	S.ARR EXB28V104JX	T	122.1/25.7
R253	7030008290	S.RES ERJ2GEJ 183 X (18K)	T	11.8/40.8
R254	7030005110	S.RES ERJ2GEJ 224 X (220K)	T	7.3/41.1
R255	7030005240	S.RES ERJ2GEJ 473 X (47K)	B	9/41.9
R257	7030008400	S.RES ERJ2GEJ 182 X (1.8K)	T	7.3/39.7
R258	7030005170	S.RES ERJ2GEJ 474 X (470K)	T	8.4/42.2
R259	7030005090	S.RES ERJ2GEJ 104 X (100K)	B	5.4/45.6
R260	7030005090	S.RES ERJ2GEJ 104 X (100K)	B	5.4/48
R261	7410001130	S.ARR EXB28V102JX	B	99.7/43.5
R262	7410001130	S.ARR EXB28V102JX	T	100.5/37
R263	7410001130	S.ARR EXB28V102JX	B	97/40.7
R264	7410000750	S.ARR EXB-V4V 104JV (100K)	T	103.2/35.4
R265	7030007340	S.RES ERJ2GEJ 153 X (15K)	T	87.7/31
R266	7410001130	S.ARR EXB28V102JX	B	120.1/23.5
R267	7410001130	S.ARR EXB28V102JX	B	118.3/21.7
R268	7410001130	S.ARR EXB28V102JX	B	116.5/19.9
R269	7030005090	S.RES ERJ2GEJ 104 X (100K)	T	118.6/20.6
R270	7030007340	S.RES ERJ2GEJ 153 X (15K)	T	88.6/34.2
R271	7030007270	S.RES ERJ2GEJ 151 X (150)	T	73/71.8
R272	7030007280	S.RES ERJ2GEJ 331 X (330)	T	61/76.2
R273	7030005050	S.RES ERJ2GEJ 103 X (10K)	B	63.6/76.2
R274	7030004980	S.RES ERJ2GEJ 101 X (100)	B	57.9/68.9
R277	7030005050	S.RES ERJ2GEJ 103 X (10K)	B	4.1/46.5
R278	7030005050	S.RES ERJ2GEJ 103 X (10K)	B	126.6/28.8
R279	7030005090	S.RES ERJ2GEJ 104 X (100K)	B	127.6/28.8
R280	7410001130	S.ARR EXB28V102JX	B	95.2/38.9
R281	7030005090	S.RES ERJ2GEJ 104 X (100K)	T	93.8/48.9
R282	7410000750	S.ARR EXB-V4V 104JV (100K)	T	91.6/49.5
R283	7410001130	S.ARR EXB28V102JX	B	104.7/22.2
R284	7030005120	S.RES ERJ2GEJ 102 X (1K)	T	11.3/25.3
R285	7410001130	S.ARR EXB28V102JX	B	107.1/19.9
R286	7410001140	S.ARR EXB28V104JX	T	120.5/21.8
R287	7030004990	S.RES ERJ2GEJ 221 X (220)	B	57.6/64.5
R288	7030005100	S.RES ERJ2GEJ 154 X (150K)	B	55.8/68.9
R289	7030008300	S.RES ERJ2GEJ 184 X (180K)	[A] B	44.3/65
R290	7030008300	S.RES ERJ2GEJ 184 X (180K)	[A] [B]	
	7520000260	S.POS PRF18BB471QB1RB	[B] T	33.7/66.7
	7520000260	S.POS PRF18BB471QB1RB	[B] T	
R291	7030005120	S.RES ERJ2GEJ 102 X (1K)	T	107.2/21.1
R292	7030006070	S.RES ERJ2GEJ 101U (100)	B	36.9/68
R293	7030005110	S.RES ERJ2GEJ 224 X (220K)	B	50.5/65.7
R294	7030005050	S.RES ERJ2GEJ 103 X (10K)	B	53.1/70.1
R295	7030005110	S.RES ERJ2GEJ 224 X (220K)	B	54.2/64.5
R296	7030005040	S.RES ERJ2GEJ 472 X (4.7K)	B	50/68.9
R297	7030008010	S.RES ERJ2GEJ 123 X (12K)	[A] [M] [J] [B] [N]	51.8/70.2
	7030008010	S.RES ERJ2GEJ 123 X (12K)	[A] [M] [J] [B] [N]	
	7030008010	S.RES ERJ2GEJ 123 X (12K)	[A] [M] [J] [B] [N]	
	7030005220	S.RES ERJ2GEJ 223 X (22K)	[B]	
R298	7030006610	S.RES ERJ2GEJ 394 X (390K)	B	49.2/66.1
R299	7030005110	S.RES ERJ2GEJ 224 X (220K)	B	18.3/33.1
R300	7030005050	S.RES ERJ2GEJ 103 X (10K)	B	99.9/59.6
R301	7030007290	S.RES ERJ2GEJ 222 X (2.2K)	T	106.7/55
R302	7030000440	S.RES MCR10EZHH 3.3K (332)	T	79.1/64.4
R303	7030000440	S.RES MCR10EZHH 3.3K (332)	T	81.1/64.4
R304	7030000440	S.RES MCR10EZHH 3.3K (332)	T	83.1/64.4
R305	7030005050	S.RES ERJ2GEJ 103 X (10K)	T	66.9/54.1
R306	7030005040	S.RES ERJ2GEJ 472 X (4.7K)	T	68.1/53.2
R307	7030005050	S.RES ERJ2GEJ 103 X (10K)	B	35.4/61.7
R308	7410001130	S.ARR EXB28V102JX	T	102.3/63.8
R309	7030005070	S.RES ERJ2GEJ 683 X (68K)	T	94.9/5.4
R310	7030004980	S.RES ERJ2GEJ 101 X (100)	B	109.1/62.5
R311	7030000260	S.RES MCR10EZHH 100 (101)	B	16/79.4
R312	7030005700	S.RES ERJ2GEJ 274 X (270K)	B	41/61.1
R313	7030003320	S.RES ERJ3GEVJ 101 V (100)	B	11.2/58
R314	7030007340	S.RES ERJ2GEJ 153 X (15K)	[A] [M] [J] [B] [N]	10/55.3
	7030008400	S.RES ERJ2GEJ 182 X (1.8K)	[A] [M] [J] [B] [N]	
	7030008400	S.RES ERJ2GEJ 182 X (1.8K)	[A] [M] [J] [B] [N]	
	7030007340	S.RES ERJ2GEJ 153 X (15K)	[A] [M] [J] [B] [N]	
	7030007340	S.RES ERJ2GEJ 153 X (15K)	[A] [M] [J] [B] [N]	
R315	7030000220	S.RES MCR10EZHH 47 (470)	B	3/61.6
R316	7030005170	S.RES ERJ2GEJ 474 X (470K)	T	92.7/10.3
R317	7030005160	S.RES ERJ2GEJ 105 X (1M)	B	116.5/86.3
R318	7030005160	S.RES ERJ2GEJ 105 X (1M)	B	113.7/83.8
R319	7030005120	S.RES ERJ2GEJ 102 X (1K)	B	114/82.6
R320	7030005160	S.RES ERJ2GEJ 105 X (1M)	B	112.9/86.3
R321	7030004970	S.RES ERJ2GEJ 470 X (47)	B	112.1/84.5
R322	7030007340	S.RES ERJ2GEJ 153 X (15K)	[A] [M] [J] [B] [N]	4.6/80.9
	7030008400	S.RES ERJ2GEJ 182 X (1.8K)	[A] [M] [J] [B] [N]	
	7030008400	S.RES ERJ2GEJ 182 X (1.8K)	[A] [M] [J] [B] [N]	
	7030007340	S.RES ERJ2GEJ 153 X (15K)	[A] [M] [J] [B] [N]	
	7030007340	S.RES ERJ2GEJ 153 X (15K)	[A] [M] [J] [B] [N]	
R323	7030003320	S.RES ERJ3GEVJ 101 V (100)	B	6.8/80.9
R324	7030000620	S.RES MCR10EZHH 100 K (104)	T	6.1/83.1
R325	7030005050	S.RES ERJ2GEJ 103 X (10K)	B	131.2/45.3
R326	7030005090	S.RES ERJ2GEJ 104 X (100K)	B	131.6/51.7
R327	7030007290	S.RES ERJ2GEJ 222 X (2.2K)	B	131.1/54.2
R328	7030005090	S.RES ERJ2GEJ 104 X (100K)	B	134.1/51.7
R332	7030005090	S.RES ERJ2GEJ 104 X (100K)	T	109.4/24.2
R333	7030005120	S.RES ERJ2GEJ 102 X (1K)	T	112.6/29.5
R334	7030000100	S.RES MCR10EZHH 4.7 (4R7)	T	108.1/77.4
R335	7030005050	S.RES ERJ2GEJ 103 X (10K)	T	108/78.8
R336	7030005120	S.RES ERJ2GEJ 102 X (1K)	T	112.2/80
R337	7410001130	S.ARR EXB28V102JX	T	104.8/77
R338	7030005651	S.RES ERA3YKD 304V (300K)	B	99.9/57.9
R339	7030005871	S.RES ERA3YKD 104V (100K)	B	99.9/56.5
R340	7030003560	S.RES ERJ3GEVJ 103 V (10K)	T	136.3/65.7
R341	7030003560	S.RES ERJ3GEVJ 103 V (10K)	B	130.7/85.9
R342	7030005090	S.RES ERJ2GEJ 104 X (100K)	B	135.4/52.2
R343	7030007290	S.RES ERJ2GEJ 222 X (2.2K)	B	138.1/49.4
R344	7030005110	S.RES ERJ2GEJ 224 X (220K)	B	133.3/54.6

[MAIN UNIT] (For IC-F6060 series)

REF NO.	PARTS NO.	DESCRIPTION	M.	H/V LOCATION
R345	7030005110	S.RES ERJ2GEJ 224 X (220K)	B	133.3/56.3
R346	7030005040	S.RES ERJ2GEJ 472 X (4.7K)	B	137/52.2
R347	7030005050	S.RES ERJ2GEJ 103 X (10K)	B	137.8/53.7
R348	7030005700	S.RES ERJ2GEJ 274 X (270K)	B	129.1/77.2
R349	7030005090	S.RES ERJ2GEJ 104 X (100K)	B	127.8/77.7
R350	7030005120	S.RES ERJ2GEJ 102 X (1K)	B	140/47.6
R351	7030004980	S.RES ERJ2GEJ 101 X (100)	B	134.5/36.5
R352	7030008300	S.RES ERJ2GEJ 184 X (180K)	B	140.1/38.5
R353	7030005230	S.RES ERJ2GEJ 334 X (330K)	B	139.3/34.8
R354	7030010040	S.RES ERJ2GEJ-JPW	T	140.4/36
R355	7030008280	S.RES ERJ2GEJ 271 X (270)	B	138/34.8
R356	7540000290	ABS ERZV10D220		
R359	7030005090	S.RES ERJ2GEJ 104 X (100K)	B	112.6/80.5
R360	7030005090	S.RES ERJ2GEJ 104 X (100K)	T	78.4/5.3
R361	7030005600	S.RES ERJ2GEJ 273 X (27K)	T	76.7/18.3
R362	7030005050	S.RES ERJ2GEJ 103 X (10K)	T	121.7/48.6
R363	7030005120	S.RES ERJ2GEJ 102 X (1K)	T	42.9/38.2
R364	7030005040	S.RES ERJ2GEJ 472 X (4.7K)	T	42/37.2
R366	7030005050	S.RES ERJ2GEJ 103 X (10K)	B	131.4/63.4
R367	7030005000	S.RES ERJ2GEJ 471 X (470)	B	130.1/63
R368	7030005050	S.RES ERJ2GEJ 103 X (10K)	T	80.6/7.2
R370	7030005030	S.RES ERJ2GEJ 152 X (1.5K)	B	78.4/35.7
R371	7030005120	S.RES ERJ2GEJ 102 X (1K)	B	78.7/44.7
R372	7030010040	S.RES ERJ2GEJ-JPW	B	39.5/8.8
R373	7030010040	S.RES ERJ2GEJ-JPW	B	50.4/12.3
R374	7030005050	S.RES ERJ2GEJ 103 X (10K)	T	117.9/83.3
R375	7030005030	S.RES ERJ2GEJ 152 X (1.5K)	T	29.2/5.3
R376	7030005040	S.RES ERJ2GEJ 472 X (4.7K)	T	75.8/18.3
R377	7030005160	S.RES ERJ2GEJ 105 X (1M)	B	112.9/12.2
R378	7030005160	S.RES ERJ2GEJ 105 X (1M)	B	114.2/12.7
R379	7410001140	S.ARR EXB28V104JX	B	99.9/18
R380	7030005090	S.RES ERJ2GEJ 104 X (100K)	T	110.9/22.2
R385	7030010040	S.RES ERJ2GEJ-JPW	T	64.8/76.6
R386	7410000750	S.ARR EXB-V4V 104JV (100K)	T	110.1/30.2
R387	7030005120	S.RES ERJ2GEJ 102 X (1K)	T	104.8/86.7
R388	7030005120	S.RES ERJ2GEJ 102 X (1K)	T	108.8/86.2
R389	7030005050	S.RES ERJ2GEJ 103 X (10K)	T	103.8/38.2
C1	4030017420	S.CER ECJ0EC1H470J	T	88.9/54.3
C2	4030017420	S.CER ECJ0EC1H470J	T	89.9/54.3
C3	4030017420	S.CER ECJ0EC1H470J	T	41.7/15.3
C4	4030017420	S.CER ECJ0EC1H470J	T	50.4/14.9
C5	4030016930	S.CER ECJ0EB1A104K	T	89.8/34.6
C6	4550006250	S.TAN TEESVA 1A 106M8R	B	77.3/49.7
C8	4030017420	S.CER ECJ0EC1H470J	T	89.9/52
C9	4030016930	S.CER ECJ0EB1A104K	T	88.9/52
C10	4030016930	S.CER ECJ0EB1A104K	T	79.8/51
C11	4030016930	S.CER ECJ0EB1A104K	T	9.3/11.1
C12	4030016930	S.CER ECJ0EB1A104K	T	9.3/18.1
C13	4030016930	S.CER ECJ0EB1A104K	T	82.8/6.6
C14	4030016930	S.CER ECJ0EB1A104K	T	86.3/8.9
C15	4030017420	S.CER ECJ0EB1E102K	T	41.5/7.7
C16	4550000460	S.TAN TEESVA 1C 105M8R	T	42.7/6.2
C17	4550000460	S.TAN TEESVA 1C 105M8R	B	43/6.2
C18	4030017420	S.CER ECJ0EC1H470J	T	41.7/14
C19	4030017420	S.CER ECJ0EC1H470J	B	50.4/15.8
C20	4030016970	S.CER ECJ0EB1C223K	B	101/52.7
C21	4030017420	S.CER ECJ0EC1H470J	T	41.7/16.9
C22	4030017420	S.CER ECJ0EC1H470J	T	41.7/12.7
C23	4030016930	S.CER ECJ0EB1A104K	T	52.2/5.6
C24	4030017420	S.CER ECJ0EC1H470J	B	39.5/9.8
C25	4030017420	S.CER ECJ0EC1H470J	T	60.9/5.9
C26	4030016930	S.CER ECJ0EB1A104K	B	37.7/6
C27	4030017760	S.CER ECJ0EB1H222K	B	36.8/7.3
C28	4030016970	S.CER ECJ0EB1C103K	T	78.1/9.5
C29	4030017460	S.CER ECJ0EB1E102K	T	78.5/12.2
C30	4030016930	S.CER ECJ0EB1A104K	T	78.5/13.4
C31	4030017460	S.CER ECJ0EB1E102K	T	82/50.5
C32	4030017500	S.CER ECJ0EC1H560J	B	33.3/15.9
C33	4030016930	S.CER ECJ0EB1A104K	B	35.8/12.7
C34	4030017570	S.CER ECJ0EC1H040B	B	32/15.4
C35	4030017590	S.CER ECJ0EC1H070C	B	30.8/15.9
C36	4030016930	S.CER ECJ0EB1A104K	T	22.9/15
C37	4030017360	S.CER ECJ0EC1H030B	B	28.1/15.4
C38	4030016930	S.CER ECJ0EB1A104K	T	22.1/6.2
C39	4030016930	S.CER ECJ0EB1A104K	B	15/5.7
C40	4030016930	S.CER ECJ0EB1A104K	T	24.4/6
C41	4030016930	S.CER ECJ0EB1A104K	T	22.2/12.5
C42	4030016930	S.CER ECJ0EB1A104K	T	23.1/12.5
C43	4030017760	S.CER ECJ0EB1H222K	T	26.4/9.4
C44	4030017760	S.CER ECJ0EB1H222K	T	25.5/9.4
C45	4030017990	S.CER EC		

[MAIN UNIT] (For IC-F6060 series)

REF NO.	PARTS NO.	DESCRIPTION	M.	H/V LOCATION
C70	4030017420	S.CER ECJ0EC1H470J	B	30.6/14.3
C71	4030016940	S.CER ECJ0EB1A393K	B	92.9/7.8
C72	4030018860	S.CER ECJ0EB0J105K	B	50.9/11
C73	4030017750	S.CER ECJ0EB1E122K	B	50.3/17.7
C74	4030016930	S.CER ECJ0EB1A104K	B	52/17.7
C75	4030016930	S.CER ECJ0EB1A104K	B	55.9/12.6
C77	4030017460	S.CER ECJ0EB1E102K	B	53.1/12.7
C78	4030017460	S.CER ECJ0EB1E102K	B	53.3/8.6
C79	4550006250	S.TAN TEESVA 1A 106M8R	B	50.1/33.1
C80	4030017770	S.CER ECJ0EB1E332K	B	82.6/43.3
C81	4550000560	S.TAN TEESVA 1V 334M8R	B	84.4/41.1
C82	4030017460	S.CER ECJ0EB1E102K	B	80.3/30.7
C83	4550000270	S.TAN TEESVA 1E 474M8R	B	84.4/35.9
C84	4030017460	S.CER ECJ0EB1E102K	B	83.2/49.6
C85	4030017350	S.CER ECJ0EC1H020B	T	55.2/45.4
C87	4030017340	S.CER ECJ0EC1H010B	T	53.9/42.8
C88	4030017530	S.CER ECJ0EC1H0R5B	T	55.2/42.3
C89	4030017550	S.CER ECJ0EC1H1R5B	[A] [M] [J] [B] [N]	T 53.9/41.8
C91	4030017340	S.CER ECJ0EC1H010B	[B] [N]	T
C92	4030017460	S.CER ECJ0EB1E102K	T	27.3/17.3
C93	4030017680	S.CER ECJ0EC1H20J	T	24.6/20.3
C94	4030017460	S.CER ECJ0EB1E102K	B	32.6/12.5
C95	4030016790	S.CER ECJ0EB1C103K	T	30.5/12.5
C96	4030016930	S.CER ECJ0EB1A104K	T	28.8/19.3
C97	4030016930	S.CER ECJ0EB1A104K	B	32.7/6.1
C98	4030016930	S.CER ECJ0EB1A104K	B	29.8/9.4
C99	4030016930	S.CER ECJ0EB1A104K	B	89.3/7.4
C100	4030016930	S.CER ECJ0EB1A104K	B	90.8/14.6
C101	4030017710	S.CER ECJ0EC1H181J	T	86.1/15.6
C102	4030016930	S.CER ECJ0EB1A104K	T	83.9/7.5
C103	4030016930	S.CER ECJ0EB1A104K	T	106.7/34.7
C104	4550000270	S.TAN TEESVA 1E 474M8R	B	55.3/19.5
C105	4030017420	S.CER ECJ0EC1H470J	B	76.6/32.9
C107	4030016930	S.CER ECJ0EB1A104K	B	74.2/41.3
C110	4030017420	S.CER ECJ0EC1H470J	T	72.9/43.4
C111	4030016930	S.CER ECJ0EB1A104K	T	74.2/34.8
C112	4030017460	S.CER ECJ0EB1E102K	B	73.9/28.3
C113	4030017420	S.CER ECJ0EC1H470J	T	73/27.4
C114	4030016790	S.CER ECJ0EB1C103K	T	74.2/28.3
C115	4030016790	S.CER ECJ0EB1C103K	T	24.2/21.3
C116	4030016790	S.CER ECJ0EB1C103K	T	22.5/21.3
C119	4030017640	S.CER ECJ0EC1H150J	T	26.6/22.5
C120	4030016790	S.CER ECJ0EB1C103K	T	20.3/27.9
C123	4030017390	S.CER ECJ0EC1H180J	T	32.2/22.5
C124	4030016930	S.CER ECJ0EB1A104K	T	40/28
C126	4030016930	S.CER ECJ0EB1A104K	B	90.8/17.4
C128	4030016930	S.CER ECJ0EB1A104K	T	82.7/21.2
C129	4030016930	S.CER ECJ0EB1A104K	T	80/20.2
C130	4030016930	S.CER ECJ0EB1A104K	B	63.7/16
C131	4030017660	S.CER ECJ0EC1H330J	B	134.8/16.8
C132	4030017660	S.CER ECJ0EC1H330J	B	137.5/23.8
C133	4030017580	S.CER ECJ0EC1H060C	[A] [M] [J] [B] [N]	T 69/43.9
C134	4030017580	S.CER ECJ0EC1H060C	[A] [M] [J] [B] [N]	T
C135	4030017590	S.CER ECJ0EC1H070C	[A] [M] [J] [B] [N]	T 70.3/43
C136	4030017460	S.CER ECJ0EB1E102K	[A] [M] [J] [B] [N]	T 69/37.4
C137	4030017670	S.CER ECJ0EC1H390J	[A] [M] [J] [B] [N]	T 84.1/27.8
C138	4030017640	S.CER ECJ0EC1H150J	[A] [M] [J] [B] [N]	T 70.3/30
C139	4030017630	S.CER ECJ0EC1H120J	[A] [M] [J] [B] [N]	T 69/30.9
C140	4030017460	S.CER ECJ0EB1E102K	[A] [M] [J] [B] [N]	T 70.3/36.5
C141	4030017460	S.CER ECJ0EB1E102K	[A] [M] [J] [B] [N]	T 73/40.4
C142	4030018860	S.CER ECJ0EB0J105K	[A] [M] [J] [B] [N]	T 73/33.9
C143	4030017340	S.CER ECJ0EC1H010B	[A] [M] [J] [B] [N]	T 90.1/10.7
C145	4030016790	S.CER ECJ0EB1C103K	[A] [M] [J] [B] [N]	T 64.7/31.3
C147	4030016790	S.CER ECJ0EB1C103K	[A] [M] [J] [B] [N]	T 27.8/35.2
C148	4030016790	S.CER ECJ0EB1C103K	[A] [M] [J] [B] [N]	T 35.1/35.2
C149	4030016930	S.CER ECJ0EB1A104K	[A] [M] [J] [B] [N]	T 29.9/33.9
C150	4030018560	S.CER C2012 JB 1A 475K-T	[A] [M] [J] [B] [N]	B 76.5/18.7
C151	4030016930	S.CER ECJ0EB1A104K	[A] [M] [J] [B] [N]	B 89/22
C152	4030016930	S.CER ECJ0EB1A104K	[A] [M] [J] [B] [N]	T 111.1/46.3
C153	4030017460	S.CER ECJ0EB1E102K	[A] [M] [J] [B] [N]	T 108.5/35.7
C154	4030018860	S.CER ECJ0EB0J105K	[A] [M] [J] [B] [N]	T 11.0/35.6
C155	4030017420	S.CER ECJ0EC1H470J	[A] [M] [J] [B] [N]	T 83.2/19.8
C156	4030017910	S.CER ECJ0EB1H152K	[A] [M] [J] [B] [N]	T 110.3/37.9
C157	4030017420	S.CER ECJ0EC1H470J	[A] [M] [J] [B] [N]	T 103.2/42.7
C158	4030017430	S.CER ECJ0EC1H010J	[A] [M] [J] [B] [N]	T 110.7/47.2
C159	4030017460	S.CER ECJ0EB1E102K	[A] [M] [J] [B] [N]	T 108.5/36.7
C160	4030017460	S.CER ECJ0EB1E102K	[A] [M] [J] [B] [N]	B 118.5/9.4
C161	4030017610	S.CER ECJ0EC1H090C	[A] [M] [J] [B] [N]	B 130.6/25.4
	4030017610	S.CER ECJ0EC1H090C	[A] [M] [J] [B] [N]	T 64.2/43
	4030017620	S.CER ECJ0EC1H100C	[A] [M] [J] [B] [N]	T
	4030017620	S.CER ECJ0EC1H100C	[A] [M] [J] [B] [N]	T

[MAIN UNIT] (For IC-F6060 series)

REF NO.	PARTS NO.	DESCRIPTION	M.	H/V LOCATION
C162	4030017380	S.CER ECJ0EC1H050B	[A] [M] [J] [B] [N]	T 68.6/45.2
	4030017380	S.CER ECJ0EC1H050B	[A] [M] [J] [B] [N]	T
	4030017380	S.CER ECJ0EC1H050B	[A] [M] [J] [B] [N]	T
	4030017620	S.CER ECJ0EC1H100C	[A] [M] [J] [B] [N]	T
	4030017620	S.CER ECJ0EC1H100C	[A] [M] [J] [B] [N]	T
C163	4030017640	S.CER ECJ0EC1H150J	[A] [M] [J] [B] [N]	T 64.2/36.5
	4030017640	S.CER ECJ0EC1H150J	[A] [M] [J] [B] [N]	T
	4030017640	S.CER ECJ0EC1H150J	[A] [M] [J] [B] [N]	T
	4030017390	S.CER ECJ0EC1H180J	[A] [M] [J] [B] [N]	T
	4030017390	S.CER ECJ0EC1H180J	[A] [M] [J] [B] [N]	T
C164	4030017380	S.CER ECJ0EC1H050B	[A] [M] [J] [B] [N]	T 61.6/44.8
	4030017380	S.CER ECJ0EC1H050B	[A] [M] [J] [B] [N]	T
	4030017380	S.CER ECJ0EC1H050B	[A] [M] [J] [B] [N]	T
	4030017570	S.CER ECJ0EC1H040B	[A] [M] [J] [B] [N]	T
C165	4030017570	S.CER ECJ0EC1H040B	[A] [M] [J] [B] [N]	T 60.3/45.2
	4030017630	S.CER ECJ0EC1H120J	[A] [M] [J] [B] [N]	T
	4030017630	S.CER ECJ0EC1H120J	[A] [M] [J] [B] [N]	T
	4030017620	S.CER ECJ0EC1H100C	[A] [M] [J] [B] [N]	T
C166	4030017380	S.CER ECJ0EC1H050B	[A] [M] [J] [B] [N]	T 68.6/38.7
	4030017380	S.CER ECJ0EC1H050B	[A] [M] [J] [B] [N]	T
	4030017380	S.CER ECJ0EC1H050B	[A] [M] [J] [B] [N]	T
	4030017580	S.CER ECJ0EC1H060C	[A] [M] [J] [B] [N]	T
C167	4030017640	S.CER ECJ0EC1H150J	[A] [M] [J] [B] [N]	T 64.2/30
C168	4030017630	S.CER ECJ0EC1H120J	[A] [M] [J] [B] [N]	T 61.6/38.3
	4030017630	S.CER ECJ0EC1H120J	[A] [M] [J] [B] [N]	T
	4030017610	S.CER ECJ0EC1H090C	[A] [M] [J] [B] [N]	T
	4030017610	S.CER ECJ0EC1H090C	[A] [M] [J] [B] [N]	T
C169	4030017640	S.CER ECJ0EC1H150J	[A] [M] [J] [B] [N]	T 60.3/38.7
	4030017640	S.CER ECJ0EC1H150J	[A] [M] [J] [B] [N]	T
	4030017640	S.CER ECJ0EC1H150J	[A] [M] [J] [B] [N]	T
	4030017390	S.CER ECJ0EC1H180J	[A] [M] [J] [B] [N]	T
C170	4030017340	S.CER ECJ0EC1H010B	[A] [M] [J] [B] [N]	T 65.6/31.3
C171	4030017570	S.CER ECJ0EC1H040B	[A] [M] [J] [B] [N]	T 68.6/32.2
	4030017570	S.CER ECJ0EC1H040B	[A] [M] [J] [B] [N]	T
	4030017570	S.CER ECJ0EC1H040B	[A] [M] [J] [B] [N]	T
	4030017560	S.CER ECJ0EC1H2R5B	[A] [M] [J] [B] [N]	T
	4030017560	S.CER ECJ0EC1H2R5B	[A] [M] [J] [B] [N]	T
C172	4030017600	S.CER ECJ0EC1H080C	[A] [M] [J] [B] [N]	T 61.6/31.8
	4030017600	S.CER ECJ0EC1H080C	[A] [M] [J] [B] [N]	T
	4030017600	S.CER ECJ0EC1H080C	[A] [M] [J] [B] [N]	T
	4030017570	S.CER ECJ0EC1H040B	[A] [M] [J] [B] [N]	T
C173	4030017620	S.CER ECJ0EC1H100C	[A] [M] [J] [B] [N]	T 60.2/32.2
	4030017620	S.CER ECJ0EC1H100C	[A] [M] [J] [B] [N]	T
	4030017620	S.CER ECJ0EC1H100C	[A] [M] [J] [B] [N]	T
	4030017580	S.CER ECJ0EC1H060C	[A] [M] [J] [B] [N]	T
	4030017580	S.CER ECJ0EC1H060C	[A] [M] [J] [B] [N]	T
C174	4030017640	S.CER ECJ0EC1H150J	[A] [M] [J] [B] [N]	T 38.1/37.2
C175	4030016790	S.CER ECJ0EB1C103K	[A] [M] [J] [B] [N]	B 41.4/39.4
C176	4030016930	S.CER ECJ0EB1A104K	[A] [M] [J] [B] [N]	B 41.2/32.8
C177	4030017730	S.CER ECJ0EB1E471K	[A] [M] [J] [B] [N]	B 42.1/32.8
C178	4030016790	S.CER ECJ0EB1C103K	[A] [M] [J] [B] [N]	B 34.6/32.9
C180	4030017740	S.CER ECJ0EB1E821K	[A] [M] [J] [B] [N]	T 108.8/47.5
C181	4030016930	S.CER ECJ0EB1A104K	[A] [M] [J] [B] [N]	T 111.5/43.6
C182	4030016780	S.CER ECJ0EB1C153K	[A] [M] [J] [B] [N]	T 112/39.9
C183	4030017420	S.CER ECJ0EC1H470J	[A] [M] [J] [B] [N]	T 103.8/44.5
C184	4030017760	S.CER ECJ0EB1H222K	[A] [M] [J] [B] [N]	T 105.4/47.5
C185	4030017690	S.CER ECJ0EC1H121J	[A] [M] [J] [B] [N]	T 107.1/47.5
C186	4030016930	S.CER ECJ0EB1A104K	[A] [M] [J] [B] [N]	T 62.6/40.9
C187	4030017460	S.CER ECJ0EB1E102K	[A] [M] [J] [B] [N]	T 63.5/40.9
C188	4030016790	S.CER ECJ0EB1C103K	[A] [M] [J] [B] [N]	T 62.6/34.4
C189	4030017460	S.CER ECJ0EB1E102K	[A] [M] [J] [B] [N]	T 63.5/34.4
C190	4030017530	S.CER ECJ0EC1H0R5B	[A] [M] [J] [B] [N]	T 58.6/42.7
C191	4030016790	S.CER ECJ0EB1C103K	[A] [M] [J] [B] [N]	T 62.6/27.9
C192	4030017520	S.CER ECJ0EC1H0R3B	[A] [M] [J] [B] [N]	T 58.6/36.2
	4030017520	S.CER ECJ0EC1H0R3B	[A] [M] [J] [B] [N]	T
	4030017520	S.CER ECJ0EC1H0R3B	[A] [M] [J] [B] [N]	T
	4030017530	S.CER ECJ0EC1H0R5B	[A] [M] [J] [B] [N]	T
	4030017530	S.CER ECJ0EC1H0R5B	[A] [M] [J] [B] [N]	T
C193	4030017460	S.CER ECJ0EB1E102K	[A] [M] [J] [B] [N]	T 63.5/27.9
C194	4030017530	S.CER ECJ0EC1H0R5B	[A] [M] [J] [B] [N]	T 58.9/31.8
C195	4030016930	S.CER ECJ0EB1A104K	[A] [M] [J] [B] [N]	T 40.3/30.2
C196	4030017730	S.CER ECJ0EB1E471K	[A] [M] [J] [B] [N]	B 38.7/33.2
C197	4030016930	S.CER ECJ0EB1A104K	[A] [M] [J] [B] [N]	B 38.7/32.3
C198	4030017730	S.CER ECJ0EB1E471K	[A] [M] [J] [B] [N]	B 31.3/38.3
C199	4030016930	S.CER ECJ0EB1A104K	[A] [M] [J] [B] [N]	B 31.3/39.2
C200	4030016930	S.CER ECJ0EB1A104K	[A] [M] [J] [B] [N]	B 31.3/34.1
C201	4030017730	S.CER ECJ0EB1E471K	[A] [M] [J] [B] [N]	B 31.3/35.9
C202	4030017460	S.CER ECJ0EB1E102K	[A] [M] [J] [B] [N]	T 112/38.9
C203	4030017460	S.CER EC		

[MAIN UNIT] (For IC-F6060 series)

REF NO.	PARTS NO.	DESCRIPTION	M.	H/V LOCATION
C216	4030017630	S.CER ECJ0EC1H120J	[A]	B 41.5/44.6
	4030017630	S.CER ECJ0EC1H120J	[J]	
	4030017630	S.CER ECJ0EC1H120J	[M]	
	4030017390	S.CER ECJ0EC1H180J	[B]	
C217	4030017730	S.CER ECJ0EB1E471K	B	25.4/33.2
	4030016930	S.CER ECJ0EB1A104K	B	
C218	4030016930	S.CER ECJ0EB1A104K	B	23.8/33.2
	4030017570	S.CER ECJ0EC1H040B	[A]	
C219	4030017570	S.CER ECJ0EC1H040B	[A]	B 22.7/36.5
	4030017570	S.CER ECJ0EC1H040B	[M]	
	4030017570	S.CER ECJ0EC1H040B	[J]	
C220	4030017550	S.CER ECJ0EC1H1R5B	B	22.2/37.7
	4030016930	S.CER ECJ0EB1A104K	B	
C221	4030016930	S.CER ECJ0EB1A104K	B	5.6/23.2
C222	4030017030	S.CER ECJ0EB1A273K	B	128.7/45.9
C223	4030016930	S.CER ECJ0EB1A104K	B	123.5/43.9
C224	4030017640	S.CER ECJ0EC1H150J	T	123/39.9
C225	4030016790	S.CER ECJ0EB1C103K	T	125/36.8
C226	4030017580	S.CER ECJ0EC1H060C	T	123.4/40.8
C227	4030017460	S.CER ECJ0EB1E102K	B	48/35
C228	4030017460	S.CER ECJ0EB1E102K	[A]	T 49.4/37.2
	4030017460	S.CER ECJ0EB1E102K	[M]	
C229	4030017420	S.CER ECJ0EB1H470J	[J]	B 50.8/40.8
	4030017420	S.CER ECJ0EC1H470J	[N]	
	4030017620	S.CER ECJ0EC1H100C	[A]	
	4030017620	S.CER ECJ0EC1H100C	[M]	
	4030017620	S.CER ECJ0EC1H100C	[J]	
	4030017570	S.CER ECJ0EC1H040B	[B]	
	4030017570	S.CER ECJ0EC1H040B	[N]	
	4030017460	S.CER ECJ0EB1E102K	B	
	4030017340	S.CER ECJ0EC1H010B	B	
	4030017460	S.CER ECJ0EB1E102K	T	
	4030017370	S.CER ECJ0EC1H3R5B	B	
C230	4030017460	S.CER ECJ0EB1E102K	B	48.8/49.7
	4030017340	S.CER ECJ0EC1H010B	B	
C231	4030017460	S.CER ECJ0EB1E102K	T	55.2/40.6
C232	4030017370	S.CER ECJ0EC1H3R5B	B	50.8/49.7
C233	4030017460	S.CER ECJ0EB1E102K	B	45.8/42.9
C236	4030017580	S.CER ECJ0EC1H060C	[A]	B 44.2/44.6
	4030017580	S.CER ECJ0EC1H060C	[M]	
	4030017580	S.CER ECJ0EC1H060C	[J]	
	4030017620	S.CER ECJ0EC1H100C	[B]	
	4030017620	S.CER ECJ0EC1H100C	[N]	
	4030017620	S.CER ECJ0EC1H100C	[A]	
	4030017620	S.CER ECJ0EC1H100C	[M]	
	4030017620	S.CER ECJ0EC1H100C	[J]	
	4030017400	S.CER ECJ0EC1H220J	[B]	
	4030017400	S.CER ECJ0EC1H220J	[N]	
	4030017350	S.CER ECJ0EC1H020B	[A]	
	4030017350	S.CER ECJ0EC1H020B	[M]	
C239	4030017550	S.CER ECJ0EB1H1R5B	[J]	B 12.9/35.7
	4030017350	S.CER ECJ0EC1H020B	[B]	
	4030017350	S.CER ECJ0EC1H020B	[N]	
	4030017350	S.CER ECJ0EC1H020B	[A]	
	4030017610	S.CER ECJ0EC1H090C	[M]	
	4030017610	S.CER ECJ0EC1H090C	[J]	
	4030017600	S.CER ECJ0EC1H080C	[B]	
C240	4030017600	S.CER ECJ0EC1H080C	[N]	B 14/34.4
	4030017600	S.CER ECJ0EC1H080C	[A]	
C241	4030017520	S.CER ECJ0EC1H0R3B	[A]	B 17.1/37.7
	4030017520	S.CER ECJ0EC1H0R3B	[M]	
	4030017530	S.CER ECJ0EC1H0R5B	[J]	
	4030017520	S.CER ECJ0EC1H0R3B	[B]	
	4030017520	S.CER ECJ0EC1H0R3B	[N]	
C242	4030017610	S.CER ECJ0EC1H090C	[A]	B 10.2/34.4
	4030017610	S.CER ECJ0EC1H090C	[M]	
	4030017610	S.CER ECJ0EC1H090C	[J]	
	4030017600	S.CER ECJ0EC1H080C	[B]	
	4030017600	S.CER ECJ0EC1H080C	[N]	
	4030017600	S.CER ECJ0EC1H080C	[A]	
C243	4030017460	S.CER ECJ0EB1E102K	B	15.4/32.2
	4030017460	S.CER ECJ0EB1E102K	B	
C244	4550006780	S.TAN TEESVB2 0J 476M8R	B	5.6/18.7
C245	4030016930	S.CER ECJ0EB1A104K	B	104.2/52.7
C246	4030016930	S.CER ECJ0EB1A104K	B	106/54.6
C247	4030016930	S.CER ECJ0EB1A104K	B	107.6/52.4
C248	4030018900	S.CER ECJ0EB0J474K	B	121/47.2
C249	4030017630	S.CER ECJ0EC1H120J	T	120.4/39.9
C250	4030017380	S.CER ECJ0EC1H050B	[A]	B 66.3/65.9
	4030017380	S.CER ECJ0EC1H050B	[M]	
	4030017380	S.CER ECJ0EC1H050B	[J]	
	4030017370	S.CER ECJ0EC1H3R5B	[B]	
	4030017370	S.CER ECJ0EC1H3R5B	[N]	
	4030017420	S.CER ECJ0EC1H470J	B	
	4030017730	S.CER ECJ0EB1E471K	B	
	4030017420	S.CER ECJ0EC1H470J	B	
	4030017420	S.CER ECJ0EC1H470J	B	
	4030017530	S.CER ECJ0EC1H0R5B	[A]	
C251	4030017530	S.CER ECJ0EC1H0R5B	[M]	B 70.2/66.9
	4030017530	S.CER ECJ0EC1H0R5B	[J]	
	4030017520	S.CER ECJ0EC1H0R3B	[B]	
	4030017520	S.CER ECJ0EC1H0R3B	[N]	
	4030017460	S.CER ECJ0EB1E102K	B	
	4030017460	S.CER ECJ0EB1E102K	B	
	4030016930	S.CER ECJ0EB1A104K	B	
	4030016930	S.CER ECJ0EB1A104K	B	
	4030016930	S.CER ECJ0EB1A104K	B	
	4030018900	S.CER ECJ0EB0J474K	B	
C252	4030017420	S.CER ECJ0EC1H470J	B	61/66.2
	4030017730	S.CER ECJ0EB1E471K	B	
C253	4030017420	S.CER ECJ0EC1H470J	B	65.1/70.5
C254	4030017420	S.CER ECJ0EC1H470J	B	69.9/71.1
C255	4030017420	S.CER ECJ0EC1H470J	B	63.2/65
C257	4030017530	S.CER ECJ0EC1H0R5B	[A]	B 70.2/66.9
	4030017530	S.CER ECJ0EC1H0R5B	[M]	
C258	4030017530	S.CER ECJ0EC1H0R5B	[J]	B 70.2/66.9
	4030017520	S.CER ECJ0EC1H0R3B	[B]	
	4030017520	S.CER ECJ0EC1H0R3B	[N]	
	4030017460	S.CER ECJ0EB1E102K	B	
	4030017460	S.CER ECJ0EB1E102K	B	
	4030017530	S.CER ECJ0EC1H0R5B	[A]	
	4030017530	S.CER ECJ0EC1H0R5B	[M]	
C260	4030017340	S.CER ECJ0EC1H010B	[B]	B 9.5/35.7
	4030017340	S.CER ECJ0EC1H010B	[N]	
C261	4030017460	S.CER ECJ0EB1E102K	B	8.1/34.4
C262	4030017460	S.CER ECJ0EB1E102K	B	9/36.9
C263	4030016790	S.CER ECJ0EB1C103K	B	5.4/36.4
C265	4030017420	S.CER ECJ0EC1H470J	B	6.9/40.3
C266	4030017460	S.CER ECJ0EB1E102K	B	7.3/39.4
C267	4030017460	S.CER ECJ0EB1E102K	B	69/71.1
C268	4030017360	S.CER ECJ0EC1H030B	B	72.3/69.4
C269	4030017550	S.CER ECJ0EC1H1R5B	B	73.5/66.9
C270	4030017580	S.CER ECJ0EC1H060C	[A]	B 71.1/70.5
	4030017580	S.CER ECJ0EC1H060C	[M]	
	4030017580	S.CER ECJ0EC1H060C	[J]	
	4030017570	S.CER ECJ0EC1H040B	[B]	
	4030017570	S.CER ECJ0EC1H040B	[N]	

[MAIN UNIT] (For IC-F6060 series)

REF NO.	PARTS NO.	DESCRIPTION	M.	H/V LOCATION		
C271	4030017520	S.CER ECJ0EC1H0R3B	[A]	B 12.1/36.9		
	4030017520	S.CER ECJ0EC1H0R3B	[M]			
	4030017530	S.CER ECJ0EC1H0R5B	[J]			
	4030017520	S.CER ECJ0EC1H0R3B	[B]			
	4030017520	S.CER ECJ0EC1H0R3B	[N]			
C272	4030016930	S.CER ECJ0EB1A104K	B	12.2/43.3		
C273	4030016930	S.CER ECJ0EB1A104K	B	12.8/40.8		
C274	4030017460	S.CER ECJ0EB1E102K	T	3.9/41		
C275	4030017420	S.CER ECJ0EC1H470J	B	13.5/39.1		
C276	4030017590	S.CER ECJ0EC1H070C	B	10/41.9		
C277	4030017460	S.CER ECJ0EB1E102K	T	13.5/39.1		
C278	4030017590	S.CER ECJ0EC1H070C	[A]	B 9.5/43.2		
	4030017590	S.CER ECJ0EC1H070C	[M]			
C279	4030017590	S.CER ECJ0EC1H070C	[J]	B 6.7/45.2		
	4030017600	S.CER ECJ0EC1H080C	[B]			
	4030017600	S.CER ECJ0EC1H080C	[N]			
	4030017410	S.CER ECJ0EC1H240J	[A]			
	4030017410	S.CER ECJ0EC1H240J	[M]			
	4030017410	S.CER ECJ0EC1H240J	[J]			
	4030017390	S.CER ECJ0EC1H180J	[B]			
	4030017390	S.CER ECJ0EC1H180J	[N]			
	C280	4030017560	S.CER ECJ0EC1H2R5B		B	10/46.8
	C281	4030017420	S.CER ECJ0EC1H470J		T	95.5/35.9
C282	4030017420	S.CER ECJ0EC1H470J	T	102.2/41.1		
C283	4030017420	S.CER ECJ0EC1H470J	B	95.8/47		
C284	4030017420	S.CER ECJ0EC1H470J	T	97.8/37.2		
C285	4030017420	S.CER ECJ0EC1H470J	B	94.9/44.7		
C286	4030017420	S.CER ECJ0EC1H470J	B	93.8/44.7		
C287	4030017420	S.CER ECJ0EC1H470J	T	93.8/40		
C288	4030017460	S.CER ECJ0EB1E102K	B	4.1/47.4		
C289	4030017610	S.CER ECJ0EC1H090C	[A]	B 18.8/34.4		
	4030017610	S.CER ECJ0EC1H090C	[M]			
C290	4030017600	S.CER ECJ0EC1H080C	[B]	T 73.9/75.6		
	4030017600	S.CER ECJ0EC1H080C	[A]			
	4030017580	S.CER ECJ0EC1H060C	[N]			
	4030017580	S.CER ECJ0EC1H060C	[M]			
	4030017580	S.CER ECJ0EC1H060C	[J]			
	4030017570	S.CER ECJ0EC1H040B	[B]			
	4030017570	S.CER ECJ0EC1H040B	[N]			
	C291	4030017730	S.CER ECJ0EB1E471K		T	69.2/76.6
	C294	4030017420	S.CER ECJ0EC1H470J		T	70.3/76.6
	C295	4030017420	S.CER ECJ0EC1H470J		B	58.4/69.9
	C297	4030017460	S.CER ECJ0EB1E102K		B	58.4/67.9
C299	4030017410	S.CER ECJ0EC1H240J	[A]	B 6.7/48.4		
	4030017410	S.CER ECJ0EC1H240J	[M]			
C300	4030017410	S.CER ECJ0EC1H240J	[J]	B 9.5/50.4		
	4030017390	S.CER ECJ0EC1H180J	[B]			
	4030017390	S.CER ECJ0EC1H180J	[N]			
	4030017590	S.CER ECJ0EC1H070C	[A]			
	4030017590	S.CER ECJ0EC1H070C	[M]			
	4030017590	S.CER ECJ0EC1H070C	[J]			
	4030017600	S.CER ECJ0EC1H080C	[B]			
	4030017600	S.CER ECJ0EC1H080C	[N]			
	C301	4030017590	S.CER ECJ0EC1H070C		B	11.7/48.8
	C302	4030017460	S.CER ECJ0EB1E102K		B	4.1/44.7
	C303	4030016930	S.CER ECJ0EB1A104K		B	127.6/31.4
	C304	4030017420	S.CER ECJ0EC1H470J		T	90.5/43
C305	4030011050	S.CER GRM31M3C2H3R0CY21L (GRM42-6 CJ)	T	27.6/79.2		
C306	4030011040	S.CER GRM31M4C2H2R0CY21L (GRM42-6 CK)	[A]	T 25.6/76.6		
	4030011050	S.CER GRM31M3C2H3R0CY21L (GRM42-6 CJ)	[M]			
C307	4030011030	S.CER GRM31M4C2H1R5CY21L (GRM42-6 CK)	[J]	B 25.6/73.8		
	4030011030	S.CER GRM31M4C2H1R5CY21L (GRM42-6 CK)	[B]			
	4030011030	S.CER GRM31M4C2H1R5CY21L (GRM42-6 CK)	[N]			
	4030011040	S.CER GRM31M4C2H2R0CY21L (GRM42-6 CK)	[A]			
C308	4030011040	S.CER GRM31M4C2H2R0CY21L (GRM42-6 CK)	[M]	T 27.6/71.2		
	4030011040	S.CER GRM31M4C2H2R0CY21L (GRM42-6 CK)	[J]			
	4030011040	S.CER GRM31M4C2H2R0CY21L (GRM42-6 CK)	[B]			
	4030011020	S.CER GRM31M4C2H1R0CY21L (GRM42-6 CK)	[N]			
	4030011050	S.CER GRM31M3C2H3R0CY21L (GRM42-6 CJ)	[A]			
	4030011040	S.CER GRM31M4C2H2R0CY21L (GRM42-6 CK)	[M]			
	4030011040	S.CER GRM31M4C2H2R0CY21L (GRM42-6 CK)	[J]			
	4030011040	S.CER GRM31M4C2H2R0CY21L (GRM42-6 CK)	[B]			
	4030011020	S.CER GRM31M4C2H1R0CY21L (GRM42-6 CK)	[N]			
	4030011020	S.CER GRM31M4C2H1R0CY21L (GRM42-6 CK)	[A]			
C309	4030017460					

[MAIN UNIT] (For IC-F6060 series)

REF NO.	PARTS NO.	DESCRIPTION	M.	H/V LOCATION
C322	4030017350	S.CER ECJ0EC1H020B	[A]	B 21.2/51.2
	4030017350	S.CER ECJ0EC1H020B	[M]	
	4030017350	S.CER ECJ0EC1H0R5B	[B]	
	4030017350	S.CER ECJ0EC1H0R5B	[N]	
C324	4030017420	S.CER ECJ0EC1H470J	T	90.1/41.7
C325	4030017460	S.CER ECJ0EB1E102K	T	73.2/67.6
C326	4030017420	S.CER ECJ0EC1H470J	B	40.5/67.3
C327	4030017460	S.CER ECJ0EB1E102K	B	83.9/79.3
C328	4030017420	S.CER ECJ0EC1H470J	B	82.9/79.3
C329	4030017400	S.CER ECJ0EC1H220J	B	81.9/79.3
C330	4510008540	S.ELE EEE1CA100SR	T	96.7/53.9
C331	4510008540	S.ELE EEE1CA100SR	T	60.6/55.1
C332	4030017780	S.CER ECJ0EB1E472K	B	53.5/66.1
C334	4030017460	S.CER ECJ0EB1E102K	B	50.8/70.2
C335	4030017460	S.CER ECJ0EB1E102K	B	48.7/69.4
C336	4030011030	S.CER GRM31M4C2H1R5CY21L (GRM42-6 CK)	[M]	T 14.3/56.9
	4030011030	S.CER GRM31M4C2H1R5CY21L (GRM42-6 CK)	[J]	
C337	4030017600	S.CER ECJ0EC1H080C	[A]	B 28.2/53.7
	4030017600	S.CER ECJ0EC1H080C	[M]	
	4030017600	S.CER ECJ0EC1H080C	[J]	
	4030017380	S.CER ECJ0EC1H050B	[B]	
C338	4030017380	S.CER ECJ0EC1H050B	[N]	T 79.1/69.1
	4510008540	S.ELE EEE1CA100SR	T	
	4030017460	S.CER ECJ0EB1E102K	T	
	4030017460	S.CER ECJ0EB1E102K	T	
C340	4030017460	S.CER ECJ0EB1E102K	T	63.5/55.5
C341	4030016790	S.CER ECJ0EB1C103K	T	68.1/52.3
C342	4030017200	S.CER GRM31BR32J102KY01L (GHM1030 R)	T	26.8/61.7
C343	4030011050	S.CER GRM31M3C2H3R0CY21L (GRM42-6 CJ)	[A]	T 23/63.3
	4030011050	S.CER GRM31M3C2H3R0CY21L (GRM42-6 CJ)	[M]	
	4030011050	S.CER GRM31M3C2H3R0CY21L (GRM42-6 CJ)	[J]	
C344	4030011040	S.CER GRM31M4C2H2R0CY21L (GRM42-6 CK)	[B]	T 20.9/63.3
	4030011040	S.CER GRM31M4C2H2R0CY21L (GRM42-6 CK)	[N]	
	4030011050	S.CER GRM31M3C2H3R0CY21L (GRM42-6 CJ)	T	
C345	4030011050	S.CER GRM31M3C2H3R0CY21L (GRM42-6 CJ)	[A]	T 18.3/58.5
	4030011060	S.CER GRM31M2C2H4R0CY21L (GRM42-6 CH)	[M]	
	4030011060	S.CER GRM31M2C2H4R0CY21L (GRM42-6 CH)	[J]	
C346	4030011050	S.CER GRM31M3C2H3R0CY21L (GRM42-6 CJ)	[B]	T 11.9/46.8
	4030011050	S.CER GRM31M3C2H3R0CY21L (GRM42-6 CJ)	[N]	
	4030011070	S.CER GRM31M2C2H5R0CY21L (GRM42-6 CH)	T	
C347	4030017520	S.CER ECJ0EC1H0R3B	B	33.7/61.7
C348	4030017460	S.CER ECJ0EB1E102K	B	39.7/61.7
C349	4030011060	S.CER GRM31M2C2H4R0CY21L (GRM42-6 CH)	T	10.3/61.7
C350	4030011070	S.CER GRM31M2C2H5R0CY21L (GRM42-6 CH)	[A]	T 12.9/65.2
	4030011060	S.CER GRM31M2C2H4R0CY21L (GRM42-6 CH)	[M]	
	4030011060	S.CER GRM31M2C2H4R0CY21L (GRM42-6 CH)	[J]	
C351	4030011050	S.CER GRM31M3C2H3R0CY21L (GRM42-6 CJ)	[B]	T 110.8/66.5
	4030011050	S.CER GRM31M3C2H3R0CY21L (GRM42-6 CJ)	[N]	
	4030011050	S.CER GRM31M3C2H3R0CY21L (GRM42-6 CJ)	T	
C352	4030016930	S.CER ECJ0EB1A104K	T	112.4/61.7
C353	4030017460	S.CER ECJ0EB1E102K	B	124.6/59.7
C354	4550006250	S.TAN TEESVA 1A 106M8R	B	124.6/59.7
C355	4550006250	S.TAN TEESVA 1A 106M8R	B	112.9/61.7
C356	4030017420	S.CER ECJ0EC1H470J	B	112.6/60.1
C357	4030011070	S.CER GRM31M2C2H5R0CY21L (GRM42-6 CH)	[A]	T 15.7/65.2
	4030011070	S.CER GRM31M2C2H5R0CY21L (GRM42-6 CH)	[M]	
	4030011070	S.CER GRM31M2C2H5R0CY21L (GRM42-6 CH)	[J]	
C358	4030011060	S.CER GRM31M2C2H4R0CY21L (GRM42-6 CH)	[B]	T 10.7/61.4
	4030011060	S.CER GRM31M2C2H4R0CY21L (GRM42-6 CH)	[N]	
	4030011060	S.CER GRM31M2C2H4R0CY21L (GRM42-6 CH)	[M]	
C359	4030011060	S.CER GRM31M2C2H4R0CY21L (GRM42-6 CH)	[J]	T 10.7/65.1
	4030011030	S.CER GRM31M4C2H1R5CY21L (GRM42-6 CK)	[B]	
	4030011030	S.CER GRM31M4C2H1R5CY21L (GRM42-6 CK)	[N]	
C358	4030009530	S.CER C1608 CH 1H 030B-T	B	10.7/61.4
C359	4030006860	S.CER C1608 JB 1H 102K-T	B	9.9/59.5
C360	4030017460	S.CER ECJ0EB1E102K	B	8.7/54
C361	4030017460	S.CER ECJ0EB1E102K	T	101.3/52.9
C362	4030017460	S.CER ECJ0EB1E102K	T	106.3/21.1
C363	4510008540	S.ELE EEE1CA100SR	T	139.1/31.9
C365	4550007650	S.TAN F931V105MAABMA	B	107.7/65.1
C366	4550007650	S.TAN F931V105MAABMA	B	105.6/65.1
C367	4550007650	S.TAN F931V105MAABMA	B	103.5/65.1
C368	4550007650	S.TAN F931V105MAABMA	B	101.4/65.1

[MAIN UNIT] (For IC-F6060 series)

REF NO.	PARTS NO.	DESCRIPTION	M.	H/V LOCATION
C369	4030011070	S.CER GRM31M2C2H5R0CY21L (GRM42-6 CH)	T	15.3/81.1
C370	4030011050	S.CER GRM31M3C2H3R0CY21L (GRM42-6 CJ)	[A]	T 5.3/81.1
	4030011060	S.CER GRM31M2C2H4R0CY21L (GRM42-6 CH)	[M]	
C371	4030011060	S.CER GRM31M2C2H4R0CY21L (GRM42-6 CH)	[J]	T 105.1/80.9
	4030011040	S.CER GRM31M4C2H2R0CY21L (GRM42-6 CK)	[B]	
C372	4030011040	S.CER GRM31M4C2H2R0CY21L (GRM42-6 CK)	[N]	T 110.5/84.5
	4030011460	S.CER ECJ0EB1E102K	B	
C372	4030006860	S.CER C1608 JB 1H 102K-T	B	2.9/80.8
C373	4030016790	S.CER ECJ0EB1C103K	B	8.3/79.6
C374	4030016930	S.CER ECJ0EB1A104K	B	130.6/51.7
C375	4030016930	S.CER ECJ0EB1A104K	B	132.8/51.3
C377	4030017460	S.CER ECJ0EB1E102K	B	104.7/52.9
C378	4030017460	S.CER ECJ0EB1E102K	T	105.1/80.9
C379	4030016930	S.CER ECJ0EB1A104K	B	110.5/84.5
C380	4030017460	S.CER ECJ0EB1E102K	T	120.9/85.3
C381	4030016790	S.CER ECJ0EB1C103K	B	135.9/70.5
C382	4510008680	S.ELE EEE1EA220SP	T	68.6/63.4
C383	4030017460	S.CER ECJ0EB1E102K	B	135.9/71.5
C384	4510008870	S.ELE EEE1AA471UP	T	129.9/64.9
C386	4030016930	S.CER ECJ0EB1A104K	B	138.8/53.7
C387	4030017730	S.CER ECJ0EB1E471K	B	135.4/51.3
C388	4030018860	S.CER ECJ0EB0J105K	B	138.7/52.2
C389	4030016930	S.CER ECJ0EB1A104K	B	139.1/48.5
C390	4030016930	S.CER ECJ0EB1A104K	B	137.8/55.4
C391	4030016930	S.CER ECJ0EB1A104K	T	107.6/80
C392	4030017460	S.CER ECJ0EB1E102K	B	127.8/76.8
C393	4030017460	S.CER ECJ0EB1E102K	B	98.3/79.2
C394	4030017420	S.CER ECJ0EC1H470J	B	115.4/68
C395	4030017460	S.CER ECJ0EB1E102K	B	126.5/77.2
C397	4030017460	S.CER ECJ0EB1E102K	B	100.8/86.3
C398	4030017420	S.CER ECJ0EC1H470J	B	99.8/86.3
C399	4030018860	S.CER ECJ0EB0J105K	B	134.5/34.8
C400	4030016930	S.CER ECJ0EB1A104K	B	136.9/37
C411	4510008780	S.ELE EEE1EA471P	T	117.2/63.6
C412	4510008780	S.ELE EEE1EA471P	T	132.7/54.3
C413	4030018900	S.CER ECJ0EB0J474K	B	135.1/46.8
C414	4510008540	S.ELE EEE1CA100SR	T	113.9/50.1
C415	4030016930	S.CER ECJ0EB1A104K	B	103/23.8
C416	4030016930	S.CER ECJ0EB1A104K	B	121/51.5
C417	4030016790	S.CER ECJ0EB1C103K	B	113.8/51.7
C418	4030017460	S.CER ECJ0EB1E102K	B	102.3/57.9
C419	4030016790	S.CER ECJ0EB1C103K	T	42.5/39.1
C420	4030017500	S.CER ECJ0EC1H560J	T	39.8/37.2
C421	4030016930	S.CER ECJ0EB1A104K	B	36.1/24.4
C422	4030016790	S.CER ECJ0EB1C103K	T	42.9/33
C423	4030007080	S.CER C1608 CH 1H 390J-T	T	33.6/38.9
C424	4030016930	S.CER ECJ0EB1A104K	T	35.6/41.2
C425	4030017460	S.CER ECJ0EB1E102K	B	134.8/66.1
C426	4030011030	S.CER GRM31M4C2H1R5CY21L (GRM42-6 CK)	[A]	T 29.2/75.2
C427	4030011020	S.CER GRM31M4C2H1R0CY21L (GRM42-6 CK)	[M]	T 19.5/36.6
	4030011020	S.CER GRM31M4C2H1R0CY21L (GRM42-6 CK)	[J]	
	4030011020	S.CER GRM31M4C2H1R0CY21L (GRM42-6 CK)	[B]	
C428	4030017530	S.CER ECJ0EC1H0R5B	[A]	B 19.5/36.6
	4030017530	S.CER ECJ0EC1H0R5B	[M]	
	4030017530	S.CER ECJ0EC1H0R5B	[J]	
	4030017340	S.CER ECJ0EC1H010B	[B]	
	4030017340	S.CER ECJ0EC1H010B	[N]	
	4030018110	S.CER ECJ0EB1H272K	T	
	4030016790	S.CER ECJ0EB1C103K	T	
C429	4030018860	S.CER ECJ0EB0J105K	B	24.6/10.2
C430	4030018860	S.CER ECJ0EB0J105K	B	138.4/51
C431	4030017460	S.CER ECJ0EB1E102K	B	110.4/10.7
C432	4030017420	S.CER ECJ0EC1H470J	B	114.2/11.7
C433	4030017460	S.CER ECJ0EB1E102K	B	119.4/69.8
C435	4030016930	S.CER ECJ0EB1A104K	B	119.4/70.8
C436	4030016930	S.CER ECJ0EB1A104K	T	8.9/7.8
J1	6510026770	S.CON AXK540147YG	T	56/38.5
J2	6510026770	S.CON AXK540147YG	T	124.5/9.7
J3	6510021301	S.CON 52365-1071	T	101.5/9.7
J5	6510023092	S.CON 20FLT-SM2-TB(LF)(SN)(M)	T	90.3/62.6
J7	6450000140	CON HSJ0807-01-010	T	108.3/83.2
J10	6510023092	S.CON 20FLT-SM2-TB(LF)(SN)(M)	T	71/7
W1	7120000470	JUM ERDS2T0		
W2	8900016250	CAB OPC-1701 <CMI>T/H!		
EP2	6910015370	S.BEA ACZ1005Y-102-T	B	60.4/28.3
EP3	6910015370	S.BEA ACZ1005Y-102-T	T	85.7/30
EP4	6910010280	BEA HF70BB9.5X10.4X4.9		
EP5	6910010280	BEA HF70BB9.5X10.4X4.9		
EP6	6910015370	S.BEA ACZ1005Y-102-T	T	79.6/41.5
EP7	6910011560	BEA HF70BB4.5X5X1.6		

M.=Mounted side (T: Mounted on the Top side, B: Mounted on the Bottom side) S.=Surface mount

[FRONT UNIT]

REF NO.	PARTS NO.	DESCRIPTION	M.	H/V LOCATION
IC501	1130009121	S.IC S1D15206F00A200	B	33.1/19.5
IC502	1110005771	S.IC S-80942CNMC-G9CT2G	B	61.4/9.7
IC503	1140010771	S.IC HD64F3687FPV(EMPTY)	B	62.1/25.2
IC504	1130007111	S.IC TC7W04FU(TE12L,F)	B	73.9/26.3
IC505	1110005310	S.IC AN6123MS	B	10/8.4
IC506	1110005350	S.IC NJM2870F05-TE1-#FZZB	B	84.9/9.9
IC507	1130006221	S.IC TC4W53FU(TE12L,F)	B	6.5/19
IC508	1130008561	S.IC TC75S51F(TE85L,F)	B	74/11.3
Q501	1590001050	S.TRA DTC114TUA T106	B	15.1/32.9
Q502	1590001050	S.TRA DTC114TUA T106	B	18/32.9
Q503	1590001330	S.TRA DTA114EUA T106	B	77/24.7
Q504	1530002851	S.TRA 2SC4116-BL(TE85R,F)	B	91.5/22.4
Q505	1590001050	S.TRA DTC114TUA T106	B	92.5/18.8
Q506	1590000680	S.TRA DTC114EUA T106	B	77/27.4
Q507	1590001050	S.TRA DTC114TUA T106	B	51.4/30.2
D501	1750000370	S.DIO DA221 TL	T	3.5/27.1
D502	1750000370	S.DIO DA221 TL	T	3.5/25
D503	1750000370	S.DIO DA221 TL	T	3.5/22.9
D504	1790001261	S.DIO MA25077G0L	B	50.9/23.1
D505	1790001251	S.DIO MA251110GL	B	3.3/23.3
D506	1790001251	S.DIO MA251110GL	B	82.1/21.7
D507	1790001251	S.DIO MA251110GL	B	79.7/25.8
D508	1790000951	S.ZEN MAZ8056GML	T	4.8/19.7
D509	1790000951	S.ZEN MAZ8056GML	T	8.6/19.7
D510	1790000951	S.ZEN MAZ8056GML	T	10.4/19.7
X501	6050011720	S.XTA CR-764 SMD-49TB 19.6608 MHZ <KDS>	B	49.6/18.9
L501	6200003640	S.COI MLF1608E 100K-T	B	12/19.1
R501	7030003810	S.RES ERJ3GGEYJ 125 V (1.2M)	B	46/28.8
R502	7030003810	S.RES ERJ3GGEYJ 125 V (1.2M)	B	46.6/23.8
R503	7310005510	S.TRI TMC3ADCS5X (470K)	B	45.5/26.5
R504	7030005120	S.RES ERJ2GEJ 102 X (1K)	B	8/29.3
R505	7030005120	S.RES ERJ2GEJ 102 X (1K)	B	10/29.3
R506	7030005120	S.RES ERJ2GEJ 102 X (1K)	B	12/29.3
R507	7030005010	S.RES ERJ2GEJ 681 X (680)	T	14.3/37.2
R508	7030005120	S.RES ERJ2GEJ 102 X (1K)	T	14.3/36.3
R509	7510001730	S.THE ERTJOEJP 473J	B	59.9/17.1
R510	7030005120	S.RES ERJ2GEJ 102 X (1K)	B	61.1/17.1
R511	7030005530	S.RES ERJ2GEJ 100 X (10)	B	57.1/19.4
R512	7030008010	S.RES ERJ2GEJ 123 X (12K)	B	52/22.7
R513	7030005050	S.RES ERJ2GEJ 103 X (10K)	B	63.8/10.2
R514	7030005160	S.RES ERJ2GEJ 105 X (1M)	B	56.1/20.7
R515	7030008010	S.RES ERJ2GEJ 123 X (12K)	B	52.3/23.9
R516	7030008010	S.RES ERJ2GEJ 123 X (12K)	B	49.5/23.9
R517	7410001140	S.ARR EXB28V104JX	B	66.5/10.8
R518	7410001140	S.ARR EXB28V104JX	B	67.5/19.2
R519	7030005090	S.RES ERJ2GEJ 104 X (100K)	B	51.5/26.9
R520	7030005090	S.RES ERJ2GEJ 104 X (100K)	B	71.6/26.8
R522	7030005090	S.RES ERJ2GEJ 104 X (100K)	B	3.3/17.2
R523	7030004980	S.RES ERJ2GEJ 101 X (100)	B	13.2/10.9
R524	7030005090	S.RES ERJ2GEJ 104 X (100K)	B	71.6/28.4
R525	7030005240	S.RES ERJ2GEJ 473 X (47K)	B	80.2/27
R526	7030007300	S.RES ERJ2GEJ 332 X (3.3K)	B	79/24.4
R528	7030005090	S.RES ERJ2GEJ 104 X (100K)	B	71.7/24.1
R529	7030005090	S.RES ERJ2GEJ 104 X (100K)	B	82.1/19.6
R530	7030005160	S.RES ERJ2GEJ 105 X (1M)	B	5.4/10
R531	7030009280	S.RES ERJ2GEJ 391 X	B	92/20.6
R532	7030005120	S.RES ERJ2GEJ 102 X (1K)	B	91.4/24.2
R533	7030007290	S.RES ERJ2GEJ 222 X (2.2K)	B	91.4/25.2
R534	7030009140	S.RES ERJ2GEJ 272 X (2.7K)	B	90.6/20.2
R535	7030005090	S.RES ERJ2GEJ 104 X (100K)	B	82.4/31.4
R536	7030005220	S.RES ERJ2GEJ 223 X (22K)	B	77.8/22.9
R537	7030005090	S.RES ERJ2GEJ 104 X (100K)	T	7.2/19.2
R538	7030005090	S.RES ERJ2GEJ 104 X (100K)	T	6.2/19.2
R539	7030010040	S.RES ERJ2GEJ-JPW	B	76/15.9
R540	7030009290	S.RES ERJ2GEJ 562 X (5.6K)	B	4.3/10.9
R541	7030007290	S.RES ERJ2GEJ 222 X (2.2K)	B	3.3/16.6
R542	7030009160	S.RES ERJ2GEJ 181 X (180)	B	89.8/24.2
R543	7030009160	S.RES ERJ2GEJ 181 X (180)	B	89.8/25.2
R545	7030005240	S.RES ERJ2GEJ 473 X (47K)	T	11.8/19.2
R546	7210003050	VAR EVU-F2KFK3 B14 (10KB)		
R547	7030005120	S.RES ERJ2GEJ 102 X (1K)	T	11.8/17.2
R548	7030005120	S.RES ERJ2GEJ 102 X (1K)	T	6.8/17.2
R549	7030005120	S.RES ERJ2GEJ 102 X (1K)	T	9.3/17.2
R550	7030005240	S.RES ERJ2GEJ 473 X (47K)	B	10.9/19.4
R551	7030007300	S.RES ERJ2GEJ 332 X (3.3K)	B	11/5.8
R552	7030009280	S.RES ERJ2GEJ 391 X	B	10.1/5.8
R553	7030007290	S.RES ERJ2GEJ 222 X (2.2K)	B	75.2/8.7
R554	7030007290	S.RES ERJ2GEJ 222 X (2.2K)	[A] B	71.4/12.4
			[M]	
			[J]	
			[B]	
			[N]	
			[C]	
			[O]	
			[K]	
			[D]	
			[P]	
			[E]	
			[F]	
			[G]	
			[I]	
			[H]	

[FRONT UNIT]

REF NO.	PARTS NO.	DESCRIPTION	M.	H/V LOCATION
R555	7030005220	S.RES ERJ2GEJ 223 X (22K)	[A] B	71.4/11.5
	7030005220	S.RES ERJ2GEJ 223 X (22K)	[M]	
	7030005220	S.RES ERJ2GEJ 223 X (22K)	[J]	
	7030005220	S.RES ERJ2GEJ 223 X (22K)	[B]	
	7030005220	S.RES ERJ2GEJ 223 X (22K)	[N]	
	7030008290	S.RES ERJ2GEJ 183 X (18K)	[C]	
	7030008290	S.RES ERJ2GEJ 183 X (18K)	[O]	
	7030008290	S.RES ERJ2GEJ 183 X (18K)	[K]	
	7030008290	S.RES ERJ2GEJ 183 X (18K)	[D]	
	7030008290	S.RES ERJ2GEJ 183 X (18K)	[P]	
	7030008290	S.RES ERJ2GEJ 183 X (18K)	[E]	
	7030008290	S.RES ERJ2GEJ 183 X (18K)	[F]	
	7030008290	S.RES ERJ2GEJ 183 X (18K)	[G]	
	7030008290	S.RES ERJ2GEJ 183 X (18K)	[I]	
	7030008290	S.RES ERJ2GEJ 183 X (18K)	[H]	
R556	7030005050	S.RES ERJ2GEJ 103 X (10K)	B	73.2/8.7
R557	7030005050	S.RES ERJ2GEJ 103 X (10K)	B	71.8/10.2
R558	7030005060	S.RES ERJ2GEJ 333 X (33K)	[A] B	74/13.5
	7030005060	S.RES ERJ2GEJ 333 X (33K)	[M]	
	7030005060	S.RES ERJ2GEJ 333 X (33K)	[J]	
	7030005060	S.RES ERJ2GEJ 333 X (33K)	[B]	
	7030005060	S.RES ERJ2GEJ 333 X (33K)	[N]	
	7030008010	S.RES ERJ2GEJ 123 X (12K)	[C]	
	7030008010	S.RES ERJ2GEJ 123 X (12K)	[O]	
	7030008010	S.RES ERJ2GEJ 123 X (12K)	[K]	
	7030008010	S.RES ERJ2GEJ 123 X (12K)	[D]	
	7030008010	S.RES ERJ2GEJ 123 X (12K)	[P]	
	7030008010	S.RES ERJ2GEJ 123 X (12K)	[E]	
	7030008010	S.RES ERJ2GEJ 123 X (12K)	[F]	
	7030008010	S.RES ERJ2GEJ 123 X (12K)	[G]	
	7030008010	S.RES ERJ2GEJ 123 X (12K)	[I]	
	7030008010	S.RES ERJ2GEJ 123 X (12K)	[H]	
R559	7030005090	S.RES ERJ2GEJ 104 X (100K)	B	11/20.8
R560	7030005090	S.RES ERJ2GEJ 104 X (100K)	T	6.2/20.8
C501	4030016930	S.CER ECJ0EB1A104K	B	41.8/30.2
C502	4030016930	S.CER ECJ0EB1A104K	B	40.9/30.2
C503	4030016930	S.CER ECJ0EB1A104K	B	42.7/30.2
C504	4030016930	S.CER ECJ0EB1A104K	B	43.6/30.2
C505	4030016930	S.CER ECJ0EB1A104K	B	44.5/30.2
C506	4030017490	S.CER C1608 JB 1A 105K-T	B	44.7/23.2
C507	4030017460	S.CER ECJ0EB1E102K	B	46.1/22.7
C508	4030017490	S.CER C1608 JB 1A 105K-T	B	43.4/23.2
C509	4030017730	S.CER ECJ0EB1E471K	B	13.1/33.3
C510	4030017730	S.CER ECJ0EB1E471K	B	18.6/30.5
C511	4030016790	S.CER ECJ0EB1C103K	B	58.3/17.1
C512	4030016930	S.CER ECJ0EB1A104K	B	62/17.1
C513	4030017030	S.CER ECJ0EB1A273K	B	59.1/10.2
C514	4030016930	S.CER ECJ0EB1A104K	B	58.3/18.3
C515	4030017630	S.CER ECJ0EC1H120J	B	57.1/17.8
C516	4030017580	S.CER ECJ0EC1H060C	B	48.9/22.7
C517	4030016790	S.CER ECJ0EB1C103K	B	52.9/22.7
C518	4030017640	S.CER ECJ0EC1H150J	B	49.8/22.7
C519	4030016930	S.CER ECJ0EB1A104K	B	53.8/22.7
C520	4030017420	S.CER ECJ0EC1H470J	T	12.5/36.3
C521	4030017460	S.CER ECJ0EB1E102K	B	78.8/27.5
C522	4550006480	S.TAN TEESVA 1C 475M8R	B	87.7/9.8
C523	4550006250	S.TAN TEESVA 1A 106M8R	B	12.8/7.6
C524	4550006250	S.TAN TEESVA 1A 106M8R	B	7.2/7.6
C525	4030017330	S.CER ECJ0EF1C104Z	B	85.7/7.7
C526	4030016790	S.CER ECJ0EB1C103K	B	84.1/7.7
C527	4030017420	S.CER ECJ0EC1H470J	T	5.9/17.2
C528	4030017460	S.CER ECJ0EB1E102K	T	8.4/17.2
C529	4550006250	S.TAN TEESVA 1A 106M8R	B	82.1/9.8
C530	4030016930	S.CER ECJ0EB1A104K	B	84.1/12.1
C531	4030017460	S.CER ECJ0EB1E102K	B	79/22.5
C533	4030017460	S.CER ECJ0EB1E102K	B	80/22.5
C534	4030017420	S.CER ECJ0EC1H470J	B	76.2/22.9
C535	4030016930	S.CER ECJ0EB1A104K	B	5.4/9.1
C536	4030016930	S.CER ECJ0EB1A104K	B	3.3/18.2
C537	4030017460	S.CER ECJ0EB1E102K	B	14/25
C538	4030017330	S.CER ECJ0EF1C104Z	B	6/10.9
C539	4030017420	S.CER ECJ0EC1H470J	T	10.9/17.2
C540	4030017460	S.CER ECJ0EB1E102K	B	10.9/17.8
C541	4030017420	S.CER ECJ0EC1H470J	B	8.5/10.9
C543	4030017420	S.CER ECJ0EC1H470J	B	77.6/16.7
C544	4030017420	S.CER ECJ0EC1H470J	B	79.8/16.7
C545	4030017420	S.CER ECJ0EC1H470J	B	77.6/15.8
C546	4030017420	S.CER ECJ0EC1H470J	B	74/15.3
C547	4030017460	S.CER ECJ0EB1E102K	B	74/16.2
C548	4030017490	S.CER C1608 JB 1A 105K-T	B	9.7/19.3
C549	4030016930	S.CER ECJ0EB1A104K	B	3.7/21.2
C550	4030018900	S.CER ECJ0EB0J474K	B	70.1/11.9
C551	4030016930	S.CER ECJ0EB1A104K	B	70.9/10.2
C552	4030017460	S.CER ECJ0EB1E102K	B	75.2/6.9
C553	4030017460	S.CER ECJ0EB1E102K	B	71.4/13.3
C554	4030016790	S.CER ECJ0EB1C103K	B	74.2/8.7

M.=Mounted side (T: Mounted on the Top side, B: Mounted on the Bottom side)
S.=Surface mount

[FRONT UNIT]

REF NO.	PARTS NO.	DESCRIPTION	M.	H/V LOCATION		
C555	4030017460	S.CER ECJ0EB1E102K	[A]	B 74/14.4		
	4030017460	S.CER ECJ0EB1E102K	[M]			
	4030017460	S.CER ECJ0EB1E102K	[J]			
	4030017460	S.CER ECJ0EB1E102K	[B]			
	4030017460	S.CER ECJ0EB1E102K	[N]			
	4030018920	S.CER ECJ0EB1H392K	[C]			
	4030018920	S.CER ECJ0EB1H392K	[O]			
	4030018920	S.CER ECJ0EB1H392K	[K]			
	4030018920	S.CER ECJ0EB1H392K	[D]			
	4030018920	S.CER ECJ0EB1H392K	[P]			
	4030018920	S.CER ECJ0EB1H392K	[E]			
	4030018920	S.CER ECJ0EB1H392K	[F]			
	4030018920	S.CER ECJ0EB1H392K	[G]			
	4030018920	S.CER ECJ0EB1H392K	[K]			
	4030018920	S.CER ECJ0EB1H392K	[I]			
	4030018920	S.CER ECJ0EB1H392K	[H]			
	C556	4550006480	S.TAN TEESVA 1C 475M8R			B 76.9/10.2
	J501	6510022022	S.CON 14FLT-SM2-TB(LF)(SN)(M)			B 88/28.5
	J502	6510023092	S.CON 20FLT-SM2-TB(LF)(SN)(M)			B 75.5/19.5
	J503	6450002210	CON 3017-8821 <KIN>			
DS501	5030003020	LCD L6-0226TVM-3		T 18.2/35.9		
	5040002670	S.LED CL-165HR/YG				
	5040002310	S.LED SML-311YTT86				
	5040002310	S.LED SML-311YTT86				
	5040002310	S.LED SML-311YTT86				
	5040002310	S.LED SML-311YTT86				
	5040002310	S.LED SML-311YTT86				
	5040002310	S.LED SML-311YTT86				
	5040002310	S.LED SML-311YTT86				
	5040002310	S.LED SML-311YTT86				
	5040002310	S.LED SML-311YTT86				
	5040002310	S.LED SML-311YTT86				
	5040002310	S.LED SML-311YTT86				
	5040002310	S.LED SML-311YTT86				
SP501	2510001400	SPE 3050S-E6227 <PRI>				
W501	8900012711	CAB OPC-1297A (P0.5,N20,L62) <TJM>				
W502	7120000470	JUM ERDS2T0				
W503	7120000470	JUM ERDS2T0				
EP502	8930072220	LCD SRCN-2979-SP-N-W (SHJ)				

[CONNECT UNIT]

REF NO.	PARTS NO.	DESCRIPTION	M.	H/V LOCATION
C601	4030017420	S.CER ECJ0EC1H470J		T 12.7/4.6
	4030017420	S.CER ECJ0EC1H470J		
	4030017420	S.CER ECJ0EC1H470J		
	4030017420	S.CER ECJ0EC1H470J		
	4030017420	S.CER ECJ0EC1H470J		
	4030017420	S.CER ECJ0EC1H470J		
	4030017420	S.CER ECJ0EC1H470J		
	4030017420	S.CER ECJ0EC1H470J		
	4030017420	S.CER ECJ0EC1H470J		
	4030017420	S.CER ECJ0EC1H470J		
	4030017420	S.CER ECJ0EC1H470J		
	4030017420	S.CER ECJ0EC1H470J		
	4030017420	S.CER ECJ0EC1H470J		
	4030017420	S.CER ECJ0EC1H470J		
	4030017420	S.CER ECJ0EC1H470J		
	J601	6510025242	S.CON IMSA-9631S-20Y930	
6510025242	S.CON IMSA-9631S-20Y930	[M]		
6510025242	S.CON IMSA-9631S-20Y930	[J]		
6510025242	S.CON IMSA-9631S-20Y930	[B]		
6510025242	S.CON IMSA-9631S-20Y930	[N]		
6510025240	S.CON IMSA-9631S-20Y912	[C]		
6510025242	S.CON IMSA-9631S-20Y930	[O]		
6510025240	S.CON IMSA-9631S-20Y912	[K]		
6510025240	S.CON IMSA-9631S-20Y912	[D]		
6510025242	S.CON IMSA-9631S-20Y930	[P]		
6510025242	S.CON IMSA-9631S-20Y930	[E]		
6510025242	S.CON IMSA-9631S-20Y930	[F]		
6510025240	S.CON IMSA-9631S-20Y912	[G]		
6510025240	S.CON IMSA-9631S-20Y912	[K]		
6510025242	S.CON IMSA-9631S-20Y930	[I]		
6510025242	S.CON IMSA-9631S-20Y930	[H]		
J602	6510023210	CON CD6125SA1J0 <CVI>		
W601	8900012711	CAB OPC-1297A (P0.5,N20,L62) <TJM>		

M.=Mounted side (T: Mounted on the Top side, B: Mounted on the Bottom side)
S.=Surface mount

[MAIN-A UNIT] (For MDC compatible versions)

REF NO.	PARTS NO.	DESCRIPTION	M.	H/V LOCATION
IC1	1110005340	S.IC NJM12902V-TE1-#ZZZB	T	82.3/12.9
IC2	1110006221	S.IC AK2346P-E2/P	B	44.7/11.7
IC3	1140013200	S.IC CD4053BPWR	B	58.7/9.3
IC4	1130010100	S.IC LMX2352TMX/NOBP	T	83.3/46
IC5	1110003491	S.IC TA31136FNG(D,EL)	T	28/13.9
IC6	1190001350	S.IC M62364FP 600D	B	84.9/12.9
IC7	1110005340	S.IC NJM12902V-TE1-#ZZZB	T	107.3/43
IC8	1140013200	S.IC CD4053BPWR	B	58.7/16.1
IC9	1130012960	S.IC BU8872FS-E2	B	133.1/21.3
IC10	1190002051	S.IC SPM5001-TL-E	B	33.8/36.9
IC12	1190001340	S.IC M62334FP 600C	B	9.1/25.7
IC13	1110005771	S.IC S-80942CNMC-G9CT2G	B	126/44.8
IC14	1140014550	S.IC HD64F2506RFC26DV(EMPTY)	B	111.8/35.7
IC15	1150002211	IC RA55H4047M-121 [C]		
	1150002092	IC RA30H4047M-121 [O]		
	1150002092	IC RA30H4047M-121 [K]		
	1150002221	IC RA55H4452M-121 [D]		
	1150002032	IC RA30H4452M-121 [P]		
	1150002211	IC RA55H4047M-121 [E]		
	1150002211	IC RA55H4047M-121 [F]		
	1150002211	IC RA55H4047M-121 [G]		
	1150002092	IC RA30H4047M-121 [K]		
	1150002211	IC RA55H4047M-121 [I]		
	1150002221	IC RA55H4452M-121 [H]		
IC16	1140014160	S.IC 24LC1025T-I/SM	B	133.3/29
IC17	1110002751	S.IC TA75S01F(TE85R,F)	B	55.8/66.7
IC18	1180000970	S.IC AN78L05M-(E1)	B	113/65.3
IC19	1120002510	S.IC DS14C232T S	T	104.7/69
IC20	1180001251	S.IC TA7808F(TE16L,Q)	B	121.5/65.8
IC21	1110003091	IC LA4425A-E		
IC22	1110002751	S.IC TA75S01F(TE85R,F)	B	135.5/54.4
IC23	1130006221	S.IC TC4W53FU(TE12L,F)	B	109.6/12.9
IC25	1110006230	S.IC NJM2711F-TE1-#ZZZB	B	30.1/7.1
Q1	1590003231	S.TRA UNR9113G0L	B	16.5/6.1
Q3	1530002851	S.TRA 2SC4116-BL(TE85R,F)	B	36.5/15.5
Q4	1590001650	S.TRA XP4601(TX)	B	92.8/12.4
Q5	1560000541	S.FET 2SK880-Y(T5RICOM,F)	B	81.3/41
Q6	1530002851	S.TRA 2SC4116-BL(TE85R,F)	B	50.6/28.4
Q7	1560000541	S.FET 2SK880-Y(T5RICOM,F)	B	82.4/30.6
Q8	1530002851	S.TRA 2SC4116-BL(TE85R,F)	B	79.3/37.8
Q9	1530002851	S.TRA 2SC4116-BL(TE85R,F)	B	82.1/35.4
Q10	1560001360	S.FET 2SK3019 TL	B	76.5/45.2
Q12	1530002601	S.TRA 2SC4215-O(TE85R,F)	T	26.8/19.2
Q16	1590003291	S.TRA UNR9213G0L	T	113.1/46.6
Q17	1530002920	S.TRA 2SC4226-T1 R25	T	61.1/42.8
Q18	1530002920	S.TRA 2SC4226-T1 R25	T	61.1/36.3
Q19	1530002920	S.TRA 2SC4226-T1 R25	T	60.7/28.9
Q20	1590003231	S.TRA UNR9113G0L	B	34.1/24.9
Q22	1530003311	S.TRA 2SC5107-O(TE85R,F)	T	56.7/33.6
Q23	1590001400	S.TRA XP1214(TX)	B	57.6/40.5
Q24	1590003291	S.TRA UNR9213G0L	B	55/40.5
Q25	1530004110	S.TRA MT3S37T(TE85L,F)	T	55.2/36.9
Q26	1590001400	S.TRA XP1214(TX)	B	56.6/33.5
Q27	1590003231	S.TRA UNR9113G0L	T	126.2/48.7
Q28	1590003291	S.TRA UNR9213G0L	B	123/46.1
Q29	1530003311	S.TRA 2SC5107-O(TE85R,F)	T	50.8/35.5
Q30	1530003311	S.TRA 2SC5107-O(TE85R,F)	B	64.3/62.9
Q31	1580000731	S.FET 3SK293(TE85L,F)	B	9.5/38.8
Q32	1560000841	S.FET 2SK1829(TE85R,F)	T	9.8/40.4
Q33	1530002851	S.TRA 2SC4116-BL(TE85R,F) [C]	B	47.3/66.2
	1530002851	S.TRA 2SC4116-BL(TE85R,F) [D]		
	1530002851	S.TRA 2SC4116-BL(TE85R,F) [E]		
	1530002851	S.TRA 2SC4116-BL(TE85R,F) [F]		
	1530002851	S.TRA 2SC4116-BL(TE85R,F) [G]		
	1530002851	S.TRA 2SC4116-BL(TE85R,F) [I]		
	1530002851	S.TRA 2SC4116-BL(TE85R,F) [H]		
Q34	1590003291	S.TRA UNR9213G0L	T	83/67.4
Q35	1520000460	S.TRA 2SB1132 T100 R	T	100.1/57.9
Q36	1590001190	S.TRA XP6501-(TX).AB	T	104.3/55.8
Q37	1540000550	S.TRA 2SD1664 T100Q	T	75.5/63.6
Q38	1510000920	S.TRA 2SA1577 T106 Q	T	64.9/54.1
Q39	1590003291	S.TRA UNR9213G0L	T	68.5/54.8
Q40	1590003291	S.TRA UNR9213G0L	T	103/52.9
Q41	1590001451	S.FET 2SJ144-GR (TE85R,F)	B	114.7/85.7
Q42	1590003291	S.TRA UNR9213G0L	B	131.7/43.6
Q43	1590000990	S.TRA DTC363EK T146	B	135.7/49
Q44	1590003291	S.TRA UNR9213G0L	T	108.9/20.3
Q45	1590003291	S.TRA UNR9213G0L	B	133.3/58.9
Q46	1590003291	S.TRA UNR9213G0L	T	119.2/85.6
Q47	1550000100	S.FET 2SJ377 (TE16L1,NQ)	B	131.3/71.5
Q48	1590003291	S.TRA UNR9213G0L	B	127.4/77.8
Q49	1530002851	S.TRA 2SC4116-BL(TE85R,F)	B	138.7/37.1
Q50	1530002601	S.TRA 2SC4215-O(TE85R,F)	T	40.2/39
Q51	1590003321	S.FET TPC6103(TE85L,F)	B	133.6/63.4
Q52	1590003291	S.TRA UNR9213G0L	B	128.2/61.1
Q53	1530000372	S.TRA 2SC3356-T1B R (R24)	B	68.4/68
Q54	1590003291	S.TRA UNR9213G0L	B	51.9/67.1
Q55	1560001360	S.FET 2SK3019 TL	T	74.1/20.3
Q56	1560001360	S.FET 2SK3019 TL	T	24.7/7.2
Q57	1590003291	S.TRA UNR9213G0L	T	111.1/13.4
Q58	1530002851	S.TRA 2SC4116-BL(TE85R,F)	B	27/10.8
Q59	1590003291	S.TRA UNR9213G0L	B	96.1/10
Q60	1590003291	S.TRA UNR9213G0L	B	96.1/12.3
D1	1750001070	S.DIO DAN235ETL	T	8.8/14.9
D2	1750001070	S.DIO DAN235ETL	T	22.5/7.7
D4	1790001261	S.DIO MA2S077G0L	T	52.5/43.6
D5	1790001261	S.DIO MA2S077G0L	T	52.5/41
D6	1750001070	S.DIO DAN235ETL	T	29.2/20.9
D7	1160000140	S.DIO DAP222 TL	T	59/13.8
D8	1750000711	S.VAR HVC350BTRF-E	T	68.2/42.7
D9	1750001150	S.VAR HVC383BTRF-E	T	70.5/44.7
D10	1750000711	S.VAR HVC350BTRF-E	T	68.2/36.2
D11	1750001150	S.VAR HVC383BTRF-E	T	70.5/38.2
D12	1750000711	S.VAR HVC350BTRF-E	T	68.2/29.7
D13	1750001150	S.VAR HVC383BTRF-E	T	70.5/31.7
D14	1720000570	S.VAR MA368(TX)	T	65.8/33.7
D15	1750000711	S.VAR HVC350BTRF-E	B	5.5/43.5
D16	1750000711	S.VAR HVC350BTRF-E	B	6.8/43.5
D17	1750000711	S.VAR HVC350BTRF-E	B	6.8/50.1
D18	1750000711	S.VAR HVC350BTRF-E	B	5.5/50.1
D19	1160000140	S.DIO DAP222 TL	B	120.3/17.6
D21	1750001070	S.DIO DAN235ETL	T	31.9/37.5
D22	1750000520	S.DIO DAN222TL	T	125.4/51
D23	1790001261	S.DIO MA2S077G0L	T	125/38.9
D24	1750000581	S.DIO 1SV307(TPL3,F)	B	50.8/47.1
D25	1790001261	S.DIO MA2S077G0L	B	48.3/46
D26	1750000711	S.VAR HVC350BTRF-E	B	14.1/36.1
D27	1750000711	S.VAR HVC350BTRF-E	B	10.7/34.4
D30	1750000711	S.VAR HVC350BTRF-E	B	18.3/36.2
D31	1790001251	S.DIO MA2S1110GL	T	6.2/42.2
D35	1790001261	S.DIO MA2S077G0L	B	20/50.9
D36	1790001241	S.DIO MA2S7280GL	B	11.9/50.8
D37	1750000370	S.DIO DA221 TL	T	75.2/68
D38	1750000511	S.DIO UX9401F-STD/TR <INT> [O]	T	31.2/66.7
	1750000511	S.DIO UX9401F-STD/TR <INT> [K]		
	1750000511	S.DIO UX9401F-STD/TR <INT> [P]		
	1750000511	S.DIO UX9401F-STD/TR <INT> [K]		
D39	1710001061	DIO L407CDB [C]		
	1710001061	DIO L407CDB [D]		
	1710001061	DIO L407CDB [E]		
	1710001061	DIO L407CDB [F]		
	1710001061	DIO L407CDB [G]		
	1710001061	DIO L407CDB [I]		
	1710001061	DIO L407CDB [H]		
D42	1750001360	S.DIO L709CER (9401)	T	26.5/58
D45	1750000520	S.DIO DAN222TL	T	91.8/57.5
D46	1750000520	S.DIO DAN222TL	T	89.6/57.5
D47	1790001211	S.DIO 1SS375-TL-E	B	37.7/61.7
D48	1750000520	S.DIO DAN222TL	B	95.5/55.2
D49	1790000661	S.DIO MA2J7280GL	B	8.9/57.1
D50	1750000370	S.DIO DA221 TL	B	98.8/66.5
D51	1790000661	S.DIO MA2J7280GL	B	5.2/79.3
D52	1750000520	S.DIO DAN222TL	B	132.6/40.8
D53	1790001251	S.DIO MA2S1110GL	B	133.3/47.3
D55	1750000370	S.DIO DA221 TL	B	98.8/63
D56	1750000370	S.DIO DA221 TL	B	96.7/63
D57	1750000370	S.DIO DA221 TL	B	96.7/66.5
D58	1750000520	S.DIO DAN222TL	B	101.2/83.1
D59	1750000520	S.DIO DAN222TL	B	101.2/81
D62	1790000700	DIO DSA3A1		
D63	1750000520	S.DIO DAN222TL	B	112.3/82.2
D65	1750000520	S.DIO DAN222TL	B	129.7/58.9
D66	1790001621	S.DIO 1SV308(TPL3,F)	T	29.5/36.7
D67	1790001621	S.DIO 1SV308(TPL3,F)	T	34.3/36.7
D68	1790001621	S.DIO 1SV308(TPL3,F)	T	28.7/23.3
D69	1790001621	S.DIO 1SV308(TPL3,F)	T	30/23.3
D70	1730002411	S.ZEN MAZ8200GHL	T	120/83.6
D71	1750000520	S.DIO DAN222TL	B	94.6/62.3
D72	1750000520	S.DIO DAN222TL	B	94.8/59.1
F11	2020002500	CER LT450GW <JJE>		
F12	2020002510	CER LTW450HT <JJE>		
F13	2030000500	S.MON DSF753SFBF 46.35 MHz (FL-401)	T	24.7/28.5
F14	2030000670	S.MON DSF753SFBF 46.35 MHz (FL-420)	T	35.6/28.4
F15	2040001440	S.LC NFE31PT152Z1E9L (NFM60R20T152)	B	94.5/77
F16	2040001440	S.LC NFE31PT152Z1E9L (NFM60R20T152)	B	94.5/73.7
F17	2040001440	S.LC NFE31PT152Z1E9L (NFM60R20T152)	[C]	B 94.5/70.4
	2040001440	S.LC NFE31PT152Z1E9L (NFM60R20T152)	[D]	
	2040001440	S.LC NFE31PT152Z1E9L (NFM60R20T152)	[E]	
	2040001440	S.LC NFE31PT152Z1E9L (NFM60R20T152)	[F]	
	2040001440	S.LC NFE31PT152Z1E9L (NFM60R20T152)	[G]	
	2040001440	S.LC NFE31PT152Z1E9L (NFM60R20T152)	[I]	
	2040001440	S.LC NFE31PT152Z1E9L (NFM60R20T152)	[H]	
X1	6050012380	S.XTA CR-826 DSA535SD 15.3 MHz	T	86.1/34.6
X2	6050011730	S.XTA CR-765 SMD-49TA 3.6864 MHz <KDS>	T	48.6/12
X3	6070000300	S.DIS JTBM450CX24 <JJE>	T	37.1/10.3
X4	6050012320	S.XTA CR-818 SMD-49 A.194304 MHz <KDS>	T	139.1/21.9
X5	6050011720	S.XTA CR-764 SMD-49TB 19.6608 MHz <KDS>	T	120.4/44.4
L1	6200004660	S.COI MLF1608A 1R8K-T	B	80.7/52.1
L2	6200003540	S.COI MLF1608D R22K-T	B	34.4/14.7
L3	6200004480	S.COI MLF1608D R82K-T	B	29.6/16.2
L4	6200005671	S.COI ELJRE 12NGFA	T	54.4/43.9
L5	6200004741	S.COI NLV25T-1R2J	T	72.9/43.5
L6	6200004741	S.COI NLV25T-1R2J	T	70.4/41
L7	6200004741	S.COI NLV25T-1R2J	T	72.9/37
L8	6200004741	S.COI NLV25T-1R2J	T	72.9/30.5
L9	6200004741	S.COI NLV25T-1R2J	T	70.4/28

[MAIN-A UNIT] (For MDC compatible versions)

REF NO.	PARTS NO.	DESCRIPTION	M.	H/V LOCATION
---------	-----------	-------------	----	--------------

M.=Mounted side (T: Mounted on the Top side, B: Mounted on the Bottom side)
S.=Surface mount

[MAIN-A UNIT] (For MDC compatible versions)

REF NO.	PARTS NO.	DESCRIPTION	M.	H/V LOCATION
L10	6200012970	S.COI 0.30-0.91-4TR 8.6N <COMO>	[C]	T 67.1/44.7
	6200012970	S.COI 0.30-0.91-4TR 8.6N <COMO>	[O]	
	6200012970	S.COI 0.30-0.91-4TR 8.6N <COMO>	[J]	
	6200012970	S.COI 0.30-0.91-4TR 8.6N <COMO>	[E]	
	6200012970	S.COI 0.30-0.91-4TR 8.6N <COMO>	[F]	
	6200012970	S.COI 0.30-0.91-4TR 8.6N <COMO>	[G]	
	6200012970	S.COI 0.30-0.91-4TR 8.6N <COMO>	[K]	
	6200012970	S.COI 0.30-0.91-4TR 8.6N <COMO>	[I]	
L12	6200012970	S.COI 0.30-0.91-4TR 8.6N <COMO>	[C]	T 67.1/38.2
	6200012970	S.COI 0.30-0.91-4TR 8.6N <COMO>	[O]	
	6200012970	S.COI 0.30-0.91-4TR 8.6N <COMO>	[J]	
	6200012970	S.COI 0.30-0.91-4TR 8.6N <COMO>	[K]	
	6200012970	S.COI 0.30-0.91-4TR 8.6N <COMO>	[E]	
	6200012970	S.COI 0.30-0.91-4TR 8.6N <COMO>	[F]	
	6200012970	S.COI 0.30-0.91-4TR 8.6N <COMO>	[G]	
	6200012970	S.COI 0.30-0.91-4TR 8.6N <COMO>	[K]	
	6200012970	S.COI 0.30-0.91-4TR 8.6N <COMO>	[I]	
L13	6200004741	S.COI NLV25T-1R2J	[C]	T 70.4/34.5
L15	6200012390	S.COI 0.30-0.92-3TR 5.8N <COMO>	[C]	T 67.1/31.4
L16	6200010030	S.COI C2012C-15NG-A	[O]	B 21.1/35.6
	6200010030	S.COI C2012C-15NG-A	[J]	
	6200010030	S.COI C2012C-15NG-A	[K]	
	6200010020	S.COI C2012C-12NG-A	[D]	
	6200010020	S.COI C2012C-12NG-A	[P]	
	6200010030	S.COI C2012C-15NG-A	[E]	
	6200010030	S.COI C2012C-15NG-A	[F]	
	6200010030	S.COI C2012C-15NG-A	[G]	
	6200010030	S.COI C2012C-15NG-A	[K]	
	6200010030	S.COI C2012C-15NG-A	[I]	
	6200010020	S.COI C2012C-12NG-A	[H]	
L17	6200004741	S.COI NLV25T-1R2J	[C]	T 57.7/30
	6200004741	S.COI NLV25T-1R2J	[O]	
	6200004741	S.COI NLV25T-1R2J	[K]	
	6200002851	S.COI NLV25T-R82J	[D]	
	6200002851	S.COI NLV25T-R82J	[P]	
	6200004741	S.COI NLV25T-1R2J	[E]	
	6200004741	S.COI NLV25T-1R2J	[F]	
	6200004741	S.COI NLV25T-1R2J	[G]	
	6200004741	S.COI NLV25T-1R2J	[I]	
	6200004741	S.COI NLV25T-1R2J	[J]	
	6200002851	S.COI NLV25T-R82J	[H]	
L18	6130003000	S.COI #617DB-1714=P3	[C]	B 39/36.2
L19	6130003000	S.COI #617DB-1714=P3	[O]	T 34.5/42.6
L20	6200005721	S.COI ELJRE 33NGFA	[C]	B 54.2/32.6
L21	6200005671	S.COI ELJRE 12NGFA	[C]	T 54.4/39.1
L22	6200005711	S.COI ELJRE 27NGFA	[O]	B 40.2/46
	6200005711	S.COI ELJRE 27NGFA	[J]	
	6200005711	S.COI ELJRE 27NGFA	[K]	
	6200005691	S.COI ELJRE 18NGFA	[D]	
	6200005691	S.COI ELJRE 18NGFA	[P]	
	6200005711	S.COI ELJRE 27NGFA	[E]	
	6200005711	S.COI ELJRE 27NGFA	[F]	
	6200005711	S.COI ELJRE 27NGFA	[G]	
	6200005711	S.COI ELJRE 27NGFA	[K]	
	6200005711	S.COI ELJRE 27NGFA	[I]	
	6200005691	S.COI ELJRE 18NGFA	[H]	
L23	6200005711	S.COI ELJRE 27NGFA	[C]	B 42.9/46
	6200005711	S.COI ELJRE 27NGFA	[O]	
	6200005691	S.COI ELJRE 18NGFA	[J]	
	6200005691	S.COI ELJRE 18NGFA	[K]	
	6200005711	S.COI ELJRE 27NGFA	[E]	
	6200005711	S.COI ELJRE 27NGFA	[F]	
	6200005711	S.COI ELJRE 27NGFA	[G]	
	6200005711	S.COI ELJRE 27NGFA	[K]	
	6200005711	S.COI ELJRE 27NGFA	[I]	
	6200005691	S.COI ELJRE 18NGFA	[H]	
L24	6130003000	S.COI #617DB-1714=P3	[C]	B 27/36.2
L25	6200005711	S.COI ELJRE 27NGFA	[C]	T 50/38.4
L26	6200010030	S.COI C2012C-15NG-A	[O]	B 15.9/35.6
	6200010030	S.COI C2012C-15NG-A	[J]	
	6200010020	S.COI C2012C-12NG-A	[D]	
	6200010020	S.COI C2012C-12NG-A	[P]	
	6200010030	S.COI C2012C-15NG-A	[E]	
	6200010030	S.COI C2012C-15NG-A	[F]	
	6200010030	S.COI C2012C-15NG-A	[G]	
	6200010030	S.COI C2012C-15NG-A	[K]	
	6200010030	S.COI C2012C-15NG-A	[I]	
	6200010020	S.COI C2012C-12NG-A	[H]	
L27	6200005711	S.COI ELJRE 27NGFA	[C]	B 65.2/65.4
L28	6200010030	S.COI C2012C-15NG-A	[O]	B 7/36.7
	6200010030	S.COI C2012C-15NG-A	[J]	
	6200010020	S.COI C2012C-12NG-A	[D]	
	6200010020	S.COI C2012C-12NG-A	[P]	
	6200010030	S.COI C2012C-15NG-A	[E]	
	6200010030	S.COI C2012C-15NG-A	[F]	
	6200010030	S.COI C2012C-15NG-A	[G]	
	6200010030	S.COI C2012C-15NG-A	[K]	
	6200010030	S.COI C2012C-15NG-A	[I]	
	6200010020	S.COI C2012C-12NG-A	[H]	
L29	6200005641	S.COI ELJRE 6N8ZFA	[C]	B 73.5/69
L30	6200005691	S.COI ELJRE 18NGFA	[C]	T 73.5/73.7
	6200005701	S.COI ELJRE 22NGFA	[O]	
	6200005691	S.COI ELJRE 18NGFA	[J]	
	6200005691	S.COI ELJRE 18NGFA	[K]	
	6200005691	S.COI ELJRE 18NGFA	[E]	
	6200005691	S.COI ELJRE 18NGFA	[F]	
	6200005691	S.COI ELJRE 18NGFA	[G]	
	6200005701	S.COI ELJRE 22NGFA	[K]	
	6200005691	S.COI ELJRE 18NGFA	[I]	
	6200005691	S.COI ELJRE 18NGFA	[H]	

[MAIN-A UNIT] (For MDC compatible versions)

REF NO.	PARTS NO.	DESCRIPTION	M.	H/V LOCATION
L31	6200010210	S.COI C2012C-22NG-A	[C]	B 9.2/44.8
	6200010210	S.COI C2012C-22NG-A	[O]	
	6200010210	S.COI C2012C-22NG-A	[J]	
	6200009980	S.COI C2012C-18NG-A	[D]	
	6200009980	S.COI C2012C-18NG-A	[P]	
	6200010210	S.COI C2012C-22NG-A	[E]	
	6200010210	S.COI C2012C-22NG-A	[F]	
	6200010210	S.COI C2012C-22NG-A	[G]	
	6200010210	S.COI C2012C-22NG-A	[K]	
	6200010210	S.COI C2012C-22NG-A	[I]	
	6200009980	S.COI C2012C-18NG-A	[H]	
L32	6200010210	S.COI C2012C-22NG-A	[C]	B 9.2/48.8
	6200010210	S.COI C2012C-22NG-A	[O]	
	6200010210	S.COI C2012C-22NG-A	[J]	
	6200009980	S.COI C2012C-18NG-A	[D]	
	6200009980	S.COI C2012C-18NG-A	[P]	
	6200010210	S.COI C2012C-22NG-A	[E]	
	6200010210	S.COI C2012C-22NG-A	[F]	
	6200010210	S.COI C2012C-22NG-A	[G]	
	6200010210	S.COI C2012C-22NG-A	[K]	
	6200010210	S.COI C2012C-22NG-A	[I]	
L33	6200010150	S.COI AS080340-15N	[C]	T 32.6/75.2
L34	6200010100	S.COI C2012C-33NG-A	[O]	B 13.7/50
L35	6200005691	S.COI ELJRE 18NGFA	[C]	B 23/50.7
	6200005691	S.COI ELJRE 18NGFA	[O]	
	6200006771	S.COI ELJRE 1N5ZFA	[K]	
	6200006771	S.COI ELJRE 1N5ZFA	[P]	
	6200005691	S.COI ELJRE 18NGFA	[E]	
	6200005691	S.COI ELJRE 18NGFA	[F]	
	6200005691	S.COI ELJRE 18NGFA	[G]	
	6200005691	S.COI ELJRE 18NGFA	[K]	
	6200005691	S.COI ELJRE 18NGFA	[I]	
	6200006771	S.COI ELJRE 1N5ZFA	[H]	
L36	6200010420	S.COI FHW1210HC 1R0JGT <JJE>	[C]	B 31.2/68
L37	6200010150	S.COI AS080340-15N	[O]	T 30.3/58.1
L38	6200010150	S.COI AS080340-15N	[J]	T 22.2/58.3
L39	6200010150	S.COI AS080340-15N	[C]	T 14.3/60.3
L40	6200010150	S.COI AS080340-15N	[O]	T 10.3/82.4
L41	6200002861	S.COI NLV25T-4R7J	[C]	T 111.3/55.1
L42	6200005011	S.COI NLV25T-100J	[C]	T 40.1/41.6
L43	6200010680	S.COI C2520C-R22G-A (0.22U)	[C]	T 41.2/35.1
L44	6200010740	S.COI C2520C-R27G-A	[C]	T 35.9/39.5
L45	6200010150	S.COI AS080340-15N	[C]	T 6.4/58.3
L46	6200005711	S.COI ELJRE 27NGFA	[O]	B 71.1/68.8
L47	6200012390	S.COI 0.30-0.92-3TR 5.8N <COMO>	[D]	T 65.1/44.7
	6200012390	S.COI 0.30-0.92-3TR 5.8N <COMO>	[P]	
	6200012390	S.COI 0.30-0.92-3TR 5.8N <COMO>	[H]	
L48	6200012390	S.COI 0.30-0.92-3TR 5.8N <COMO>	[D]	T 65.1/38.2
	6200012390	S.COI 0.30-0.92-3TR 5.8N <COMO>	[P]	
	6200012390	S.COI 0.30-0.92-3TR 5.8N <COMO>	[H]	
L49	6200004480	S.COI MLF1608D R82K-T	[C]	T 23.3/19.4
R1	7030005060	S.RES ERJ2GEJ 333 X (33K)	[C]	B 38.6/6
R2	7510001730	S.THE ERTJOEP 473J	[C]	T 89.3/32.2
R3	7030005050	S.RES ERJ2GEJ 103 X (10K)	[C]	T 78.5/11.6
R4	7030005230	S.RES ERJ2GEJ 334 X (330K)	[C]	B 88.8/18.5
R5	7030005090	S.RES ERJ2GEJ 104 X (100K)	[C]	T 89.8/33.5
R6	7030005700	S.RES ERJ2GEJ 274 X (270K)	[C]	T 87.7/19.4
R7	7030005230	S.RES ERJ2GEJ 334 X (330K)	[C]	T 84.3/17.5
R8	7410001130	S.ARR EXB28V102JX	[C]	T 86.9/52.4
R9	7030007570	S.RES ERJ2GEJ 122 X (1.2K)	[C]	B 35.4/11.4
R10	7030007060	S.RES ERJ2GEJ 684X (680K)	[C]	B 35.8/13.7
R11	7030010040	S.RES ERJ2GEJ-JPW	[C]	T 9.3/12.9
R12	7030004970	S.RES ERJ2GEJ 470 X (47K)	[C]	T 34.1/6.4
R13	7030007340	S.RES ERJ2GEJ 153 X (15K)	[C]	T 8.9/16.5
R14	7030007340	S.RES ERJ2GEJ 153 X (15K)	[C]	T 9.3/9.3
R15	7030005070	S.RES ERJ2GEJ 683 X (68K)	[C]	B 93.3/14.4
R17	7030007570	S.RES ERJ2GEJ 122 X (1.2K)	[C]	B 93.3/15.3
R18	7030008300	S.RES ERJ2GEJ 184 X (180K)	[C]	B 81.5/7.3
R19	7030005230	S.RES ERJ2GEJ 334 X (330K)	[C]	T 86.3/9.9
R20	7030005090	S.RES ERJ2GEJ 104 X (100K)	[C]	T 77.9/8.2
R21	7030005070	S.RES ERJ2GEJ 683 X (68K)	[C]	T 88.5/8.9
R22	7030005050	S.RES ERJ2GEJ 103 X (10K)	[C]	B 38.6/7.7
R23	7030005050	S.RES ERJ2GEJ 103 X (10K)	[C]	B 38.6/9.4
R24	7030005060	S.RES ERJ2GEJ 333 X (33K)	[C]	B 37.7/10.7
R25	7030005120	S.RES ERJ2GEJ 102 X (1K)	[C]	B 101.5/1.6
R26	7030004980	S.RES ERJ2GEJ 101 X (100)	[C]	B 96/5.4
R27	7030007300	S.RES ERJ2GEJ 332 X (3.3K)	[C]	T 53.9/5.6
R28	7030010040	S.RES ERJ2GEJ-JPW	[C]	T 59.6/5.4
R29	7030005530	S.RES ERJ2GEJ 100 X (10)	[C]	T 114.5/10.2
R30	7030005170	S.RES ERJ2GEJ 474 X (470K)	[C]	B 37.7/9.4
R31	7030008410	S.RES ERJ2GEJ 392 X (3.9K)	[C]	B 36.8/9
R32	7030007340	S.RES ERJ2GEJ 153 X (15K)	[C]	B 37.7/7.7
R33	7030005160	S.RES ERJ2GEJ 105 X (1M)	[C]	T 81/8.4
R34	7030005040	S.RES ERJ2GEJ 472 X (4.7K)	[C]	T 79/10
R35	7030005120	S.RES ERJ2GEJ 102 X (1		

[MAIN-A UNIT] (For MDC compatible versions)

REF NO.	PARTS NO.	DESCRIPTION	M.	H/V LOCATION
R52	7030007340	S.RES ERJ2GEJ 153 X (15K)	B	63.3/12.6
R53	7030005000	S.RES ERJ2GEJ 471 X (470)	T	84.4/38.2
R54	7030005120	S.RES ERJ2GEJ 102 X (1K)	T	81.3/43.4
R55	7030007290	S.RES ERJ2GEJ 222 X (2.2K)	B	83.5/26.5
R56	7030004980	S.RES ERJ2GEJ 101 X (100)	B	81.6/39.1
R57	7030005090	S.RES ERJ2GEJ 104 X (100K)	B	28/14.3
R58	7030004980	S.RES ERJ2GEJ 101 X (100)	T	27/8.2
R59	7030008290	S.RES ERJ2GEJ 183 X (18K)	T	27/7.3
R60	7030005000	S.RES ERJ2GEJ 471 X (470)	T	30.9/9.7
R61	7030005040	S.RES ERJ2GEJ 472 X (4.7K)	T	28.4/8.5
R63	7030005220	S.RES ERJ2GEJ 223 X (22K)	B	91.6/8.3
R64	7030005220	S.RES ERJ2GEJ 223 X (22K)	B	91.6/6.6
R65	7030005090	S.RES ERJ2GEJ 104 X (100K)	B	51.1/9
R67	7030005290	S.RES ERJ2GEJ 682 X (6.8K)	T	53.5/8.6
R68	7030007290	S.RES ERJ2GEJ 222 X (2.2K)	B	53.7/17.7
R69	7030010040	S.RES ERJ2GEJ-JPW	T	85.6/16.8
R71	7030005090	S.RES ERJ2GEJ 104 X (100K)	T	54.5/8.6
R72	7030007290	S.RES ERJ2GEJ 222 X (2.2K)	T	50.9/30.2
R73	7030004980	S.RES ERJ2GEJ 101 X (100)	B	80.3/29.7
R74	7030007570	S.RES ERJ2GEJ 122 X (1.2K)	B	83.1/27.8
R75	7030005290	S.RES ERJ2GEJ 682 X (6.8K)	B	82.6/42.4
R76	7030005050	S.RES ERJ2GEJ 103 X (10K)	B	82.4/33
R77	7030005580	S.RES ERJ2GEJ 560 X (56)	B	83.2/48
R78	7030005220	S.RES ERJ2GEJ 223 X (22K)	B	81.6/37.3
R79	7030007340	S.RES ERJ2GEJ 153 X (15K)	T	51.1/42.8
R80	7030007340	S.RES ERJ2GEJ 153 X (15K)	T	51.1/41.8
R81	7030005090	S.RES ERJ2GEJ 104 X (100K)	B	74.9/45.2
R82	7030005110	S.RES ERJ2GEJ 224 X (220K)	B	71.7/27.3
R83	7030008400	S.RES ERJ2GEJ 182 X (1.8K)	T	32.4/10.6
R85	7030005110	S.RES ERJ2GEJ 224 X (220K)	T	25/19.2
R87	7030007300	S.RES ERJ2GEJ 332 X (3.3K)	T	30.5/19.3
R88	7030005120	S.RES ERJ2GEJ 102 X (1K)	B	90.7/6.6
R90	7030005000	S.RES ERJ2GEJ 471 X (470)	B	89.8/18.5
R91	7030005230	S.RES ERJ2GEJ 334 X (330K)	T	86.4/12.8
R93	7030005310	S.RES ERJ2GEJ 124 X (120K)	T	83.9/8.4
R94	7030005080	S.RES ERJ2GEJ 823 X (82K)	T	106.7/36.7
R95	7030005720	S.RES ERJ2GEJ 563 X (56K)	T	106.3/35.7
R96	7030005240	S.RES ERJ2GEJ 473 X (47K)	B	63.7/15.1
R97	7030005060	S.RES ERJ2GEJ 333 X (33K)	B	52.2/12.7
R98	7030005030	S.RES ERJ2GEJ 152 X (1.5K)	B	63.7/18.9
R99	7030005240	S.RES ERJ2GEJ 473 X (47K)	B	63.7/18.9
R100	7030005800	S.RES RR0510P-102-D (1K)	B	84.4/32.4
R101	7030007280	S.RES ERJ2GEJ 331 X (330)	B	80.1/32.9
R102	7030005530	S.RES ERJ2GEJ 100 X (10)	T	23/21.3
R103	7030005600	S.RES ERJ2GEJ 273 X (27K)	T	28.7/25.3
R104	7030007280	S.RES ERJ2GEJ 331 X (330)	T	25/22.5
R105	7030005600	S.RES ERJ2GEJ 273 X (27K)	B	32.4/24.2
R106	7030007270	S.RES ERJ2GEJ 151 X (150)	T	33.9/22.5
R108	7030005240	S.RES ERJ2GEJ 473 X (47K)	B	81.9/18.9
R109	7030005700	S.RES ERJ2GEJ 274 X (270K)	B	81/18.9
R110	7030005050	S.RES ERJ2GEJ 103 X (10K)	T	78.4/20.8
R111	7030005050	S.RES ERJ2GEJ 103 X (10K)	T	96.2/28.5
R112	7030005700	S.RES ERJ2GEJ 274 X (270K)	T	81.7/20.2
R113	7030005240	S.RES ERJ2GEJ 473 X (47K)	B	57.4/19.5
R114	7030005090	S.RES ERJ2GEJ 104 X (100K)	B	54.1/13.4
R115	7030005090	S.RES ERJ2GEJ 104 X (100K)	T	113.7/17.8
R116	7030005090	S.RES ERJ2GEJ 104 X (100K)	B	78.4/15.4
R117	7030005050	S.RES ERJ2GEJ 103 X (10K)	B	81.6/38.2
R118	7030005700	S.RES ERJ2GEJ 274 X (270K)	T	88.5/9.9
	7030005700	S.RES ERJ2GEJ 274 X (270K)	[C]	
	7030005700	S.RES ERJ2GEJ 274 X (270K)	[O]	
	7030005700	S.RES ERJ2GEJ 274 X (270K)	[K]	
	7030005700	S.RES ERJ2GEJ 274 X (270K)	[D]	
	7030005700	S.RES ERJ2GEJ 274 X (270K)	[P]	
	7030005700	S.RES ERJ2GEJ 274 X (270K)	[E]	
	7030005700	S.RES ERJ2GEJ 274 X (270K)	[F]	
	7030005700	S.RES ERJ2GEJ 274 X (270K)	[G]	
	7030005700	S.RES ERJ2GEJ 274 X (270K)	[I]	
	7030005700	S.RES ERJ2GEJ 274 X (270K)	[H]	
R120	7030007280	S.RES ERJ2GEJ 331 X (330)	T	26.5/34.4
R122	7030005600	S.RES ERJ2GEJ 273 X (27K)	T	28.8/35.2
R123	7030005600	S.RES ERJ2GEJ 273 X (27K)	T	34.1/35.2
R125	7030007270	S.RES ERJ2GEJ 151 X (150)	T	36.4/34.4
R127	7030005050	S.RES ERJ2GEJ 103 X (10K)	B	78.2/18.7
R128	7030005240	S.RES ERJ2GEJ 473 X (47K)	T	111.5/45.4
R129	7030005040	S.RES ERJ2GEJ 472 X (4.7K)	T	111.1/44.5
R130	7030005070	S.RES ERJ2GEJ 683 X (68K)	T	103.5/41.8
R131	7030005070	S.RES ERJ2GEJ 683 X (68K)	T	103.5/43.6
R132	7030004980	S.RES ERJ2GEJ 101 X (100)	T	113.8/16.5
R133	7030005090	S.RES ERJ2GEJ 104 X (100K)	T	109.6/11.8
R134	7030005160	S.RES ERJ2GEJ 105 X (1M)	T	129.8/25.5
R135	7030005160	S.RES ERJ2GEJ 105 X (1M)	T	129.8/24.2
R136	7030005160	S.RES ERJ2GEJ 105 X (1M)	T	129.8/22.9
R138	7030005530	S.RES ERJ2GEJ 100 X (10)	T	63.8/31.3
R139	7410001140	S.ARR EXB28V104JX	T	133.8/19.8
R140	7030006020	S.RES RR0510P-682-D (6.8K)	T	62.9/44.3
R141	7030006020	S.RES RR0510P-682-D (6.8K)	T	62.9/42.6
R143	7030006020	S.RES RR0510P-682-D (6.8K)	T	62.9/37.8
R144	7030006020	S.RES RR0510P-682-D (6.8K)	T	62.9/36.1
R146	7030006020	S.RES RR0510P-682-D (6.8K)	T	62.9/31.3
R147	7030006020	S.RES RR0510P-682-D (6.8K)	T	62.9/29.6
R148	7030009320	S.RES ERJ2GEJ 477 X (4.7)	T	61.6/30.9
R149	7030005110	S.RES ERJ2GEJ 224 X (220K)	B	65.1/32.6
R150	7030008290	S.RES ERJ2GEJ 183 X (18K)	B	79.2/28.2
R151	7030005220	S.RES ERJ2GEJ 223 X (22K)	B	80.5/27.8
	7030005220	S.RES ERJ2GEJ 223 X (22K)	[C]	
	7030005220	S.RES ERJ2GEJ 223 X (22K)	[O]	
	7030005220	S.RES ERJ2GEJ 223 X (22K)	[K]	
	7030005220	S.RES ERJ2GEJ 223 X (22K)	[D]	
	7030005220	S.RES ERJ2GEJ 223 X (22K)	[P]	
	7030005220	S.RES ERJ2GEJ 223 X (22K)	[E]	
	7030005220	S.RES ERJ2GEJ 223 X (22K)	[F]	
	7030005220	S.RES ERJ2GEJ 223 X (22K)	[G]	
	7030005220	S.RES ERJ2GEJ 223 X (22K)	[I]	
	7030005220	S.RES ERJ2GEJ 223 X (22K)	[H]	

[MAIN-A UNIT] (For MDC compatible versions)

REF NO.	PARTS NO.	DESCRIPTION	M.	H/V LOCATION
R152	7030005090	S.RES ERJ2GEJ 104 X (100K)	B	81.8/28.2
R153	7030007300	S.RES ERJ2GEJ 332 X (3.3K)	T	36.4/42.1
R154	7030004970	S.RES ERJ2GEJ 470 X (47)	T	42.9/40
R155	7030007290	S.RES ERJ2GEJ 222 X (2.2K)	T	39.9/33
R156	7030004970	S.RES ERJ2GEJ 470 X (47)	T	42.3/41.2
R157	7030005090	S.RES ERJ2GEJ 104 X (100K)	B	30.1/24.9
R158	7030005240	S.RES ERJ2GEJ 473 X (47K)	T	111.1/42.7
R159	7030005240	S.RES ERJ2GEJ 473 X (47K)	T	111.5/40.9
R160	7030005240	S.RES ERJ2GEJ 473 X (47K)	T	113.7/39.9
R161	7030005070	S.RES ERJ2GEJ 683 X (68K)	T	105.4/48.4
R162	7030005240	S.RES ERJ2GEJ 473 X (47K)	T	127.8/16.3
R163	7030005240	S.RES ERJ2GEJ 473 X (47K)	T	128.7/17.2
R164	7030005240	S.RES ERJ2GEJ 473 X (47K)	T	129.6/16.3
R165	7030005230	S.RES ERJ2GEJ 334 X (330K)	T	129.8/21.6
R166	7030005230	S.RES ERJ2GEJ 334 X (330K)	T	129.8/20.3
R167	7030005230	S.RES ERJ2GEJ 334 X (330K)	T	129.8/19
R168	7030011180	S.RES RR0510P-391-D (390)	B	58.5/42.6
R169	7030011180	S.RES RR0510P-391-D (390)	B	58.5/38.4
R170	7030009820	S.RES RR0510P-681-D (680)	B	55.7/31.5
R171	7030005310	S.RES ERJ2GEJ 124 X (120K)	T	57/31.8
R172	7030008280	S.RES ERJ2GEJ 271 X (270)	B	37.5/44.6
R173	7030007270	S.RES ERJ2GEJ 151 X (150)	B	40/32.8
R176	7030005590	S.RES ERJ2GEJ 680 X (68)	B	31.3/37.4
R177	7030005590	S.RES ERJ2GEJ 680 X (68)	B	31.3/35
R178	7030005240	S.RES ERJ2GEJ 473 X (47K)	T	113.7/38.9
R179	7030008300	S.RES ERJ2GEJ 184 X (180K)	T	117.1/34.6
R180	7030005720	S.RES ERJ2GEJ 563 X (56K)	T	117.5/35.6
R181	7030005220	S.RES ERJ2GEJ 223 X (22K)	T	117.1/36.6
R182	7030005120	S.RES ERJ2GEJ 102 X (1K)	T	117.5/33.6
R183	7030005070	S.RES ERJ2GEJ 683 X (68K)	T	103.7/48.4
R184	7030005220	S.RES ERJ2GEJ 223 X (22K)	T	115.4/36.6
R185	7030005070	S.RES ERJ2GEJ 683 X (68K)	B	102.3/45.6
R186	7030005160	S.RES ERJ2GEJ 105 X (1M)	T	81.3/19.3
R187	7030005060	S.RES ERJ2GEJ 333 X (33K)	T	81.3/17.5
R188	7030005090	S.RES ERJ2GEJ 104 X (100K)	T	78.9/14.6
R189	7030005720	S.RES ERJ2GEJ 563 X (56K)	T	78.5/15.8
R190	7030005080	S.RES ERJ2GEJ 823 X (82K)	T	80.9/18.4
R191	7030004980	S.RES ERJ2GEJ 101 X (100)	T	54.2/40.8
R192	7030008280	S.RES ERJ2GEJ 271 X (270)	B	52.6/35.9
R193	7030005050	S.RES ERJ2GEJ 103 X (10K)	B	57.5/31.5
R194	7030007340	S.RES ERJ2GEJ 153 X (15K)	T	53.5/36.7
R195	7030007260	S.RES ERJ2GEJ 330 X (33)	B	51/33.4
R196	7030005050	S.RES ERJ2GEJ 103 X (10K)	B	56.8/35.3
R197	7030005050	S.RES ERJ2GEJ 103 X (10K)	B	55/38.5
R198	7030010090	S.RES ERJ2GEJ 180 X (18)	B	38/46
R199	7030008280	S.RES ERJ2GEJ 271 X (270)	B	38.5/44.6
R200	7030005050	S.RES ERJ2GEJ 103 X (10K)	B	8.4/20.6
R201	7410001130	S.ARR EXB28V102JX	B	117/51.7
R202	7030005090	S.RES ERJ2GEJ 104 X (100K)	T	127.1/46.7
R203	7030005120	S.RES ERJ2GEJ 102 X (1K)	B	126.7/42.2
R204	7410000750	S.ARR EXB-V4V 104JV (100K)	B	129.6/43.4
R205	7030008010	S.RES ERJ2GEJ 123 X (12K)	T	126.2/39.2
R206	7030005120	S.RES ERJ2GEJ 102 X (1K)	B	128.7/37.1
R207	7030005050	S.RES ERJ2GEJ 103 X (10K)	T	120.3/37
R208	7030005050	S.RES ERJ2GEJ 103 X (10K)	T	121/37.7
R209	7410001130	S.ARR EXB28V102JX	B	128.6/39.5
R210	7030008010	S.RES ERJ2GEJ 123 X (12K)	T	123.6/37.9
R211	7030008010	S.RES ERJ2GEJ 123 X (12K)	T	125.5/40.8
R212	7030005160	S.RES ERJ2GEJ 105 X (1M)	T	121.7/40.8
R213	7030005070	S.RES ERJ2GEJ 683 X (68K)	T	49/35
R214	7030004980	S.RES ERJ2GEJ 101 X (100)	B	49/35
R215	7030005050	S.RES ERJ2GEJ 103 X (10K)	B	48.8/51.4
R216	7030004980	S.RES ERJ2GEJ 101 X (100)	B	49.8/49.7
	7030005120	S.RES ERJ2GEJ 102 X (1K)	[C]	
	7030005120	S.RES ERJ2GEJ 102 X (1K)	[O]	
	7030004980	S.RES ERJ2GEJ 101 X (100)	[K]	
	7030005120	S.RES ERJ2GEJ 102 X (1K)	[D]	
	7030005120	S.RES ERJ2GEJ 102 X (1K)	[P]	
	7030004980	S.RES ERJ2GEJ 101 X (100)	[E]	
	7030004980	S.RES ERJ2GEJ 101 X (100)	[F]	
	7030004980	S.RES ERJ2GEJ 101 X (100)	[G]	
	7030005120	S.RES ERJ2GEJ 102 X (1K)	[I]	
	7030004980	S.RES ERJ2GEJ 101 X (100)	[H]	
R218	7030010040	S.RES ERJ2GEJ-JPW	T	53.5/34.9
R219	7030005050	S.RES ERJ2GEJ 103 X (10K)	B	46.8/44.6
R220	7030005040	S.RES ERJ2GEJ 472 X (4.7K)	B	49.7/44.8
R221	7030004980	S.RES ERJ2GEJ 101 X (100)	B	46.8/42.9
R222	7030005110	S.RES ERJ2GEJ 224 X (220K)	B	13.5/33.1
R223	7030005110	S.RES ERJ2GEJ 224 X (220K)	B	10.7/33.1
R224	7030005050	S.RES ERJ2GEJ 103 X (10K)	B	10.7/31.4
R225	7030005000	S.RES ERJ2GEJ 471 X (470)	B	8/19.2
R226	7030004980	S.RES ERJ2GEJ 101 X		

[MAIN-A UNIT] (For MDC compatible versions)

Table with columns: REF NO., PARTS NO., DESCRIPTION, M., H/V LOCATION. Contains parts R245 through R320 with various descriptions and locations.

[MAIN-A UNIT] (For MDC compatible versions)

Table with columns: REF NO., PARTS NO., DESCRIPTION, M., H/V LOCATION. Contains parts R321 through R399 and C1 through C26 with various descriptions and locations.

M.=Mounted side (T: Mounted on the Top side, B: Mounted on the Bottom side) S.=Surface mount

[MAIN-A UNIT] (For MDC compatible versions)

REF NO.	PARTS NO.	DESCRIPTION	M.	H/V LOCATION
C27	4030018240	S.CER ECJ0EB1E562K	B	36.8/7.3
C28	4030016790	S.CER ECJ0EB1C103K	T	78.1/9.5
C29	4030017460	S.CER ECJ0EB1E102K	T	78.5/12.5
C30	4030016930	S.CER ECJ0EB1A104K	T	78.5/13.4
C31	4030017460	S.CER ECJ0EB1E102K	T	82/50.5
C32	4030017500	S.CER ECJ0EC1H560J	B	33.3/15.9
C33	4030016930	S.CER ECJ0EB1A104K	B	35.8/12.7
C34	4030017570	S.CER ECJ0EC1H040B	B	32/15.4
C35	4030017590	S.CER ECJ0EC1H070C	B	30.8/15.9
C36	4030016930	S.CER ECJ0EB1A104K	T	22.9/15
C37	4030017360	S.CER ECJ0EC1H030B	B	28.1/15.4
C38	4030016930	S.CER ECJ0EB1A104K	T	22/5.7
C39	4030016930	S.CER ECJ0EB1A104K	B	15/5.7
C40	4030016930	S.CER ECJ0EB1A104K	T	24.2/5.6
C41	4030016930	S.CER ECJ0EB1A104K	T	22.2/12.5
C42	4030016930	S.CER ECJ0EB1A104K	T	23.1/12.5
C43	4030017910	S.CER ECJ0EB1H152K	T	27.4/9.4
C44	4030017910	S.CER ECJ0EB1H152K	T	26.5/9.4
C45	4030017790	S.CER ECJ0EB1E682K	B	92.6/10
C46	4030016930	S.CER ECJ0EB1A104K	B	93.6/10
C47	4030016970	S.CER ECJ0EB1C223K	T	90.9/14.7
C48	4030017710	S.CER ECJ0EC1H181J	B	49.9/9.1
C49	4550006250	S.TAN TEESVA 1A 106M8R	T	54.8/15.4
C50	4030017460	S.CER ECJ0EB1E102K	T	55.4/12.1
C51	4030017400	S.CER ECJ0EC1H220J	T	46.3/18.8
C52	4030017400	S.CER ECJ0EC1H220J	T	44.7/7.8
C53	4030017900	S.CER ECJ0EB1C123K	B	63.7/10.8
C54	4030018080	S.CER ECJ0EB1H182K	B	63.7/11.7
C55	4030016790	S.CER ECJ0EB1C103K	B	49.2/30.2
C56	4030017620	S.CER ECJ0EC1H100C	T	83.4/36.5
C57	4030016930	S.CER ECJ0EB1A104K	T	84.8/31
C58	4030017430	S.CER ECJ0EC1H101J	T	85.7/38.8
C59	4030017460	S.CER ECJ0EB1E102K	T	81.8/24.8
C60	4030017420	S.CER ECJ0EC1H470J	T	83/41.5
C61	4030017620	S.CER ECJ0EC1H100C	T	84.4/40.2
C62	4030017650	S.CER ECJ0EC1H270J	T	81.2/41.5
C65	4030017460	S.CER ECJ0EB1E102K	T	28.7/10.6
C66	4550006250	S.TAN TEESVA 1A 106M8R	T	30.7/6.9
C67	4030017460	S.CER ECJ0EB1E102K	T	26.6/6.4
C68	4030017460	S.CER ECJ0EB1E102K	T	30.5/8.5
C69	4030017460	S.CER ECJ0EB1E102K	T	32.6/15.4
C70	4030017420	S.CER ECJ0EC1H470J	B	30.6/14.3
C71	4030016940	S.CER ECJ0EB1A393K	B	92.6/8.3
C72	4030018860	S.CER ECJ0EB0J105K	B	50.9/11
C73	4030017750	S.CER ECJ0EB1E122K	B	50.3/17.7
C74	4030016930	S.CER ECJ0EB1A104K	B	52/17.7
C75	4030016930	S.CER ECJ0EB1A104K	B	55.9/12.6
C77	4030017460	S.CER ECJ0EB1E102K	B	53.1/12.7
C78	4030017460	S.CER ECJ0EB1E102K	B	53.3/8.6
C79	4550006250	S.TAN TEESVA 1A 106M8R	B	50.1/33.1
C80	4030017770	S.CER ECJ0EB1E332K	B	82.6/43.3
C81	4550000560	S.TAN TEESVA 1V 334M8R	B	84.4/41.1
C82	4030017460	S.CER ECJ0EB1E102K	B	80.3/30.7
C83	4550000270	S.TAN TEESVA 1E 474M8R	B	84.4/35.9
C84	4030017460	S.CER ECJ0EB1E102K	B	83.2/49.6
C85	4030017350	S.CER ECJ0EC1H020B	T	55.2/45.4
C87	4030017340	S.CER ECJ0EC1H010B	T	53.9/42.8
C88	4030017530	S.CER ECJ0EC1H0R5B	T	55.2/42.3
C89	4030017550	S.CER ECJ0EC1H1R5B	[C] T	53.9/41.8
	4030017550	S.CER ECJ0EC1H1R5B	[O] T	
	4030017550	S.CER ECJ0EC1H1R5B	[K] T	
	4030017340	S.CER ECJ0EC1H010B	[D] T	
	4030017340	S.CER ECJ0EC1H010B	[P] T	
	4030017550	S.CER ECJ0EC1H1R5B	[E] T	
	4030017550	S.CER ECJ0EC1H1R5B	[F] T	
	4030017550	S.CER ECJ0EC1H1R5B	[G] T	
	4030017550	S.CER ECJ0EC1H1R5B	[K] T	
	4030017550	S.CER ECJ0EC1H1R5B	[I] T	
	4030017340	S.CER ECJ0EC1H010B	[H] T	
C91	4030016790	S.CER ECJ0EB1C103K	T	27.3/17.3
C92	4030017460	S.CER ECJ0EB1E102K	T	25.2/20.9
C93	4030017680	S.CER ECJ0EC1H820J	T	32.4/12.5
C94	4030017460	S.CER ECJ0EB1E102K	B	30.6/13.4
C95	4030016790	S.CER ECJ0EB1C103K	T	28.8/19.3
C98	4030016930	S.CER ECJ0EB1A104K	B	89.3/7.4
C99	4030016930	S.CER ECJ0EB1A104K	B	90.8/14.6
C100	4030016930	S.CER ECJ0EB1A104K	T	86.1/15.6
C101	4030017710	S.CER ECJ0EC1H181J	T	83.9/7.5
C102	4030016930	S.CER ECJ0EB1A104K	T	106.7/34.7
C103	4030016930	S.CER ECJ0EB1A104K	B	55.3/19.5
C104	4550000270	S.TAN TEESVA 1E 474M8R	B	76.6/32.9
C105	4030017420	S.CER ECJ0EC1H470J	T	74.2/41.3
C107	4030016930	S.CER ECJ0EB1A104K	B	72.9/43.4
C110	4030017420	S.CER ECJ0EC1H470J	T	74.2/34.8
C111	4030016930	S.CER ECJ0EB1A104K	B	73.9/28.3
C112	4030017460	S.CER ECJ0EB1E102K	T	73/27.4
C113	4030017420	S.CER ECJ0EC1H470J	T	74.2/28.3
C114	4030016790	S.CER ECJ0EB1C103K	T	24.3/20.9
C115	4030016790	S.CER ECJ0EB1C103K	T	21.5/21.1
C116	4030016790	S.CER ECJ0EB1C103K	T	26.6/22.5
C119	4030017640	S.CER ECJ0EC1H150J	T	20.3/27.9
C120	4030016790	S.CER ECJ0EB1C103K	T	32.2/22.5
C123	4030017660	S.CER ECJ0EC1H330J	T	40/28
C124	4030016930	S.CER ECJ0EB1A104K	B	90.8/17.4
C126	4030016930	S.CER ECJ0EB1A104K	T	82.7/21.2
C128	4030016930	S.CER ECJ0EB1A104K	T	80/20.2
C129	4030016930	S.CER ECJ0EB1A104K	B	63.7/16
C130	4030016930	S.CER ECJ0EB1A104K	B	134.8/16.8
C131	4030017660	S.CER ECJ0EC1H330J	B	137.5/23.8
C132	4030017660	S.CER ECJ0EC1H330J	B	137.5/18.8

[MAIN-A UNIT] (For MDC compatible versions)

REF NO.	PARTS NO.	DESCRIPTION	M.	H/V LOCATION
C133	4030017580	S.CER ECJ0EC1H060C	[C] T	69/43.9
	4030017580	S.CER ECJ0EC1H060C	[O] T	
	4030017580	S.CER ECJ0EC1H060C	[K] T	
	4030017380	S.CER ECJ0EC1H050B	[D] T	
	4030017380	S.CER ECJ0EC1H050B	[P] T	
	4030017580	S.CER ECJ0EC1H060C	[E] T	
	4030017580	S.CER ECJ0EC1H060C	[F] T	
	4030017580	S.CER ECJ0EC1H060C	[G] T	
	4030017580	S.CER ECJ0EC1H060C	[K] T	
	4030017580	S.CER ECJ0EC1H060C	[I] T	
	4030017380	S.CER ECJ0EC1H050B	[H] T	
C134	4030017590	S.CER ECJ0EC1H070C	T	70.3/43
C135	4030017590	S.CER ECJ0EC1H070C	T	69/37.4
C136	4030017460	S.CER ECJ0EB1E102K	B	84.1/27.8
C137	4030017670	S.CER ECJ0EC1H390J	[C] T	70.3/30
	4030017670	S.CER ECJ0EC1H390J	[O] T	
	4030017670	S.CER ECJ0EC1H390J	[K] T	
	4030017630	S.CER ECJ0EC1H120J	[D] T	
	4030017630	S.CER ECJ0EC1H120J	[P] T	
	4030017670	S.CER ECJ0EC1H390J	[E] T	
	4030017670	S.CER ECJ0EC1H390J	[G] T	
	4030017670	S.CER ECJ0EC1H390J	[I] T	
	4030017670	S.CER ECJ0EC1H390J	[H] T	
C138	4030017640	S.CER ECJ0EC1H150J	T	69/30.9
	4030017640	S.CER ECJ0EC1H150J	[C] T	
	4030017640	S.CER ECJ0EC1H150J	[O] T	
	4030017620	S.CER ECJ0EC1H100C	[D] T	
	4030017620	S.CER ECJ0EC1H100C	[P] T	
	4030017640	S.CER ECJ0EC1H150J	[E] T	
	4030017640	S.CER ECJ0EC1H150J	[F] T	
	4030017640	S.CER ECJ0EC1H150J	[G] T	
	4030017640	S.CER ECJ0EC1H150J	[K] T	
	4030017640	S.CER ECJ0EC1H150J	[I] T	
	4030017620	S.CER ECJ0EC1H100C	[H] T	
C139	4030017630	S.CER ECJ0EC1H120J	T	70.3/36.5
	4030017630	S.CER ECJ0EC1H120J	[C] T	
	4030017630	S.CER ECJ0EC1H120J	[O] T	
	4030017620	S.CER ECJ0EC1H100C	[D] T	
	4030017620	S.CER ECJ0EC1H100C	[P] T	
	4030017630	S.CER ECJ0EC1H120J	[E] T	
	4030017630	S.CER ECJ0EC1H120J	[F] T	
	4030017630	S.CER ECJ0EC1H120J	[G] T	
	4030017630	S.CER ECJ0EC1H120J	[K] T	
	4030017630	S.CER ECJ0EC1H120J	[I] T	
	4030017620	S.CER ECJ0EC1H100C	[H] T	
C140	4030017460	S.CER ECJ0EB1E102K	T	73/40.4
C141	4030017460	S.CER ECJ0EB1E102K	T	73/33.9
C142	4030018860	S.CER ECJ0EB0J105K	T	90.1/10.7
C143	4030017340	S.CER ECJ0EC1H010B	T	64.7/31.3
C145	4030016790	S.CER ECJ0EB1C103K	T	27.8/35.2
C146	4030017610	S.CER ECJ0EC1H090C	T	36.4/33.4
C147	4030016790	S.CER ECJ0EB1C103K	T	35.1/35.2
C148	4030016790	S.CER ECJ0EB1C103K	T	29.9/33.9
C149	4030016930	S.CER ECJ0EB1A104K	T	76.5/18.7
C150	4030018560	S.CER C2012 JB 1A 475K-T	B	89/22
C151	4030016930	S.CER ECJ0EB1A104K	T	111.1/46.3
C152	4030016930	S.CER ECJ0EB1A104K	T	108.5/35.7
C153	4030017460	S.CER ECJ0EB1E102K	T	110.3/35.6
C154	4030018860	S.CER ECJ0EB0J105K	T	83.2/19.8
C155	4030017420	S.CER ECJ0EC1H470J	T	110.3/37.9
C156	4030017910	S.CER ECJ0EB1H152K	T	103.2/42.7
C157	4030017420	S.CER ECJ0EC1H470J	T	110.7/47.2
C158	4030017430	S.CER ECJ0EC1H101J	T	108.5/36.7
C159	4030017460	S.CER ECJ0EB1E102K	T	118.5/9.4
C160	4030017460	S.CER ECJ0EB1E102K	B	130.6/25.4
C161	4030017610	S.CER ECJ0EC1H090C	T	64.2/43
	4030017610	S.CER ECJ0EC1H090C	[C] T	
	4030017610	S.CER ECJ0EC1H090C	[O] T	
	4030017620	S.CER ECJ0EC1H100C	[D] T	
	4030017620	S.CER ECJ0EC1H100C	[P] T	
	4030017610	S.CER ECJ0EC1H090C	[E] T	
	4030017610	S.CER ECJ0EC1H090C	[F] T	
	4030017610	S.CER ECJ0EC1H090C	[G] T	
	4030017610	S.CER ECJ0EC1H090C	[I] T	
	4030017620	S.CER ECJ0EC1H100C	[H] T	
C162	4030017380	S.CER ECJ0EC1H050B	T	68.6/45.2
	4030017380	S.CER ECJ0EC1H050B	[C] T	
	4030017580	S.CER ECJ0EC1H060C	[D] T	
	4030017580	S.CER ECJ0EC1H060C	[P] T	
	4030017380	S.CER ECJ0EC1H050B	[E] T	
	4030017380	S.CER ECJ0EC1H050B	[F] T	
	4030017380	S.CER ECJ0EC1H050B	[G] T	
	4030017380	S.CER ECJ0EC1H050B	[K] T	
	4030017380	S.CER ECJ0EC1H050B	[I] T	
	4030017580	S.CER ECJ0EC1H060C	[H] T	
C163	4030017610	S.CER ECJ0EC1H090C	T	64.2/36.5
	4030017610	S.CER ECJ0EC1H090C	[C] T	
	4030017610	S.CER ECJ0EC1H090C	[O] T	
	4030017610	S.CER ECJ0EC1H090C	[D] T	
	4030017390	S.CER ECJ0EC1H180J	[E] T	
	4030017390	S.CER ECJ0EC1H180J	[P] T	
	4030017610	S.CER ECJ0EC1H090C	[F] T	
	4030017610	S.CER ECJ0EC1H090C	[G] T	
	4030017610	S.CER ECJ0EC1H090C	[K] T	
	4030017610	S.CER ECJ0EC1H090C	[I] T	
	4030017390	S.CER ECJ0EC1H180J	[H] T	

M.=Mounted side (T: Mounted on the Top side, B: Mounted on the Bottom side)
S.=Surface mount

[MAIN-A UNIT] (For MDC compatible versions)

REF NO.	PARTS NO.	DESCRIPTION	M.	H/V LOCATION
C164	4030017380	S.CER ECJ0EC1H050B	[C]	T 61.6/44.8
	4030017380	S.CER ECJ0EC1H050B	[O]	
	4030017380	S.CER ECJ0EC1H050B	[K]	
	4030017570	S.CER ECJ0EC1H040B	[D]	
	4030017570	S.CER ECJ0EC1H040B	[P]	
	4030017380	S.CER ECJ0EC1H050B	[E]	
	4030017380	S.CER ECJ0EC1H050B	[F]	
	4030017380	S.CER ECJ0EC1H050B	[G]	
	4030017380	S.CER ECJ0EC1H050B	[I]	
	4030017380	S.CER ECJ0EC1H050B	[J]	
	4030017570	S.CER ECJ0EC1H040B	[H]	
C165	4030017630	S.CER ECJ0EC1H120J	[C]	T 60.3/45.2
	4030017630	S.CER ECJ0EC1H120J	[O]	
	4030017630	S.CER ECJ0EC1H120J	[K]	
	4030017620	S.CER ECJ0EC1H100C	[D]	
	4030017620	S.CER ECJ0EC1H100C	[P]	
	4030017630	S.CER ECJ0EC1H120J	[E]	
	4030017630	S.CER ECJ0EC1H120J	[F]	
	4030017630	S.CER ECJ0EC1H120J	[G]	
	4030017630	S.CER ECJ0EC1H120J	[K]	
	4030017630	S.CER ECJ0EC1H120J	[I]	
	4030017620	S.CER ECJ0EC1H100C	[H]	
C166	4030017380	S.CER ECJ0EC1H050B	[C]	T 68.6/38.7
	4030017380	S.CER ECJ0EC1H050B	[O]	
	4030017380	S.CER ECJ0EC1H050B	[K]	
	4030017580	S.CER ECJ0EC1H060C	[D]	
	4030017580	S.CER ECJ0EC1H060C	[P]	
	4030017380	S.CER ECJ0EC1H050B	[E]	
	4030017380	S.CER ECJ0EC1H050B	[F]	
	4030017380	S.CER ECJ0EC1H050B	[G]	
	4030017380	S.CER ECJ0EC1H050B	[K]	
	4030017380	S.CER ECJ0EC1H050B	[I]	
	4030017580	S.CER ECJ0EC1H060C	[H]	
C167	4030017640	S.CER ECJ0EC1H150J	[C]	T 64.2/30
C168	4030017590	S.CER ECJ0EC1H070C	[O]	T 61.6/38.3
	4030017590	S.CER ECJ0EC1H070C	[K]	
	4030017590	S.CER ECJ0EC1H070C	[D]	
	4030017610	S.CER ECJ0EC1H090C	[P]	
	4030017610	S.CER ECJ0EC1H090C	[E]	
	4030017590	S.CER ECJ0EC1H070C	[F]	
	4030017590	S.CER ECJ0EC1H070C	[G]	
	4030017590	S.CER ECJ0EC1H070C	[K]	
	4030017590	S.CER ECJ0EC1H070C	[I]	
	4030017610	S.CER ECJ0EC1H090C	[H]	
C169	4030017390	S.CER ECJ0EC1H180J	[C]	T 60.3/38.7
C170	4030017340	S.CER ECJ0EC1H010B	[O]	T 65.6/31.3
C171	4030017370	S.CER ECJ0EC1H3R5B	[K]	T 68.6/32.2
	4030017370	S.CER ECJ0EC1H3R5B	[D]	
	4030017370	S.CER ECJ0EC1H3R5B	[P]	
	4030017560	S.CER ECJ0EC1H2R5B	[E]	
	4030017560	S.CER ECJ0EC1H2R5B	[F]	
	4030017370	S.CER ECJ0EC1H3R5B	[G]	
	4030017370	S.CER ECJ0EC1H3R5B	[K]	
	4030017370	S.CER ECJ0EC1H3R5B	[I]	
	4030017560	S.CER ECJ0EC1H2R5B	[H]	
C172	4030017600	S.CER ECJ0EC1H080C	[C]	T 61.6/31.8
	4030017600	S.CER ECJ0EC1H080C	[O]	
	4030017600	S.CER ECJ0EC1H080C	[K]	
	4030017570	S.CER ECJ0EC1H040B	[D]	
	4030017570	S.CER ECJ0EC1H040B	[P]	
	4030017600	S.CER ECJ0EC1H080C	[E]	
	4030017600	S.CER ECJ0EC1H080C	[F]	
	4030017600	S.CER ECJ0EC1H080C	[G]	
	4030017600	S.CER ECJ0EC1H080C	[K]	
	4030017600	S.CER ECJ0EC1H080C	[I]	
	4030017570	S.CER ECJ0EC1H040B	[H]	
C173	4030017620	S.CER ECJ0EC1H100C	[C]	T 60.2/32.2
	4030017620	S.CER ECJ0EC1H100C	[O]	
	4030017620	S.CER ECJ0EC1H100C	[K]	
	4030017580	S.CER ECJ0EC1H060C	[D]	
	4030017580	S.CER ECJ0EC1H060C	[P]	
	4030017620	S.CER ECJ0EC1H100C	[E]	
	4030017620	S.CER ECJ0EC1H100C	[F]	
	4030017620	S.CER ECJ0EC1H100C	[G]	
	4030017620	S.CER ECJ0EC1H100C	[K]	
	4030017620	S.CER ECJ0EC1H100C	[I]	
	4030017620	S.CER ECJ0EC1H100C	[H]	
C174	4030017640	S.CER ECJ0EC1H150J	[C]	T 38.1/37.2
C175	4030016790	S.CER ECJ0EB1C103K	[B]	B 41.4/39.4
C176	4030016930	S.CER ECJ0EB1A104K	[B]	B 41.2/32.8
C177	4030017730	S.CER ECJ0EB1E471K	[B]	B 42.1/32.8
C178	4030016790	S.CER ECJ0EB1C103K	[B]	B 34.6/32.9
C180	4030017740	S.CER ECJ0EB1E821K	[B]	T 108.8/47.5
C181	4030016930	S.CER ECJ0EB1A104K	[B]	T 111.5/43.6
C182	4030016780	S.CER ECJ0EB1C153K	[B]	T 112/39.9
C183	4030017420	S.CER ECJ0EB1H470J	[B]	T 103.8/44.5
C184	4030017760	S.CER ECJ0EB1H222K	[B]	T 105.4/47.5
C185	4030017690	S.CER ECJ0EB1H121J	[B]	T 107.1/47.5
C186	4030016930	S.CER ECJ0EB1A104K	[B]	T 62.6/40.9
C187	4030017460	S.CER ECJ0EB1E102K	[B]	T 63.5/40.9
C188	4030016790	S.CER ECJ0EB1C103K	[B]	T 62.6/34.4
C189	4030017460	S.CER ECJ0EB1E102K	[B]	T 63.5/34.4
C190	4030017540	S.CER ECJ0EB1HR75B	[B]	T 58.6/42.7
C191	4030016790	S.CER ECJ0EB1C103K	[B]	T 62.6/27.9
C192	4030017530	S.CER ECJ0EB1H0R5B	[B]	T 58.6/36.2
C193	4030017460	S.CER ECJ0EB1E102K	[B]	T 63.5/27.9
C194	4030017530	S.CER ECJ0EB1H0R5B	[B]	T 58.9/31.8
C195	4030016930	S.CER ECJ0EB1A104K	[B]	B 40.3/30.2
C196	4030017730	S.CER ECJ0EB1E471K	[B]	B 38.7/33.2
C197	4030016930	S.CER ECJ0EB1A104K	[B]	B 38.7/32.3
C198	4030017730	S.CER ECJ0EB1E471K	[B]	B 31.3/38.3
C199	4030016930	S.CER ECJ0EB1A104K	[B]	B 31.3/39.2

[MAIN-A UNIT] (For MDC compatible versions)

REF NO.	PARTS NO.	DESCRIPTION	M.	H/V LOCATION
C200	4030016930	S.CER ECJ0EB1A104K	[B]	B 31.3/34.1
C201	4030017730	S.CER ECJ0EB1E471K	[B]	B 31.3/35.9
C202	4030017460	S.CER ECJ0EB1E102K	[B]	T 112/38.9
C203	4030017460	S.CER ECJ0EB1E102K	[B]	T 100.5/47.4
C204	4030017420	S.CER ECJ0EB1H470J	[B]	B 66.4/33.1
C205	4030018900	S.CER ECJ0EB0J474K	[B]	T 79.6/19.3
C206	4030016930	S.CER ECJ0EB1A104K	[B]	T 54.7/16.7
C207	4030017730	S.CER ECJ0EB1E471K	[B]	T 54.2/27.8
C208	4030017460	S.CER ECJ0EB1E102K	[B]	T 55.3/32.2
C209	4030017460	S.CER ECJ0EB1E102K	[B]	T 53.6/35.9
C210	4030017380	S.CER ECJ0EC1H050B	[B]	T 52.7/33.4
C211	4030017610	S.CER ECJ0EC1H090C	[B]	T 78.5/34.9
C212	4030017460	S.CER ECJ0EB1E102K	[B]	T 53.9/38
C213	4030017460	S.CER ECJ0EB1E102K	[B]	T 55.8/42.5
C214	4030017460	S.CER ECJ0EB1E102K	[B]	B 58.6/34.7
C215	4030017580	S.CER ECJ0EC1H060C	[C]	B 39.5/44.6
	4030017580	S.CER ECJ0EC1H060C	[O]	
	4030017580	S.CER ECJ0EC1H060C	[K]	
	4030017620	S.CER ECJ0EC1H100C	[D]	
	4030017620	S.CER ECJ0EC1H100C	[P]	
	4030017580	S.CER ECJ0EC1H060C	[E]	
	4030017580	S.CER ECJ0EC1H060C	[F]	
	4030017580	S.CER ECJ0EC1H060C	[G]	
	4030017580	S.CER ECJ0EC1H060C	[K]	
	4030017580	S.CER ECJ0EC1H060C	[I]	
	4030017620	S.CER ECJ0EC1H100C	[H]	
C216	4030017630	S.CER ECJ0EC1H120J	[C]	B 41.5/44.6
	4030017630	S.CER ECJ0EC1H120J	[O]	
	4030017630	S.CER ECJ0EC1H120J	[K]	
	4030017390	S.CER ECJ0EC1H180J	[D]	
	4030017390	S.CER ECJ0EC1H180J	[P]	
	4030017630	S.CER ECJ0EC1H120J	[E]	
	4030017630	S.CER ECJ0EC1H120J	[F]	
	4030017630	S.CER ECJ0EC1H120J	[G]	
	4030017630	S.CER ECJ0EC1H120J	[K]	
	4030017630	S.CER ECJ0EC1H120J	[I]	
	4030017390	S.CER ECJ0EC1H180J	[H]	
C217	4030017730	S.CER ECJ0EB1E471K	[C]	B 25.4/33.2
C218	4030016930	S.CER ECJ0EB1A104K	[B]	B 23.8/33.2
C219	4030017570	S.CER ECJ0EC1H040B	[O]	B 22.7/36.5
	4030017570	S.CER ECJ0EC1H040B	[K]	
	4030017570	S.CER ECJ0EC1H040B	[E]	
	4030017570	S.CER ECJ0EC1H040B	[F]	
	4030017570	S.CER ECJ0EC1H040B	[G]	
	4030017570	S.CER ECJ0EC1H040B	[K]	
	4030017570	S.CER ECJ0EC1H040B	[I]	
C220	4030017550	S.CER ECJ0EC1H1R5B	[B]	B 22.2/37.7
C221	4030016930	S.CER ECJ0EB1A104K	[B]	B 5.6/23.2
C222	4030017030	S.CER ECJ0EB1A273K	[B]	B 128.7/45.9
C223	4030016930	S.CER ECJ0EB1A104K	[B]	T 123.5/43.9
C224	4030017640	S.CER ECJ0EC1H150J	[B]	T 123/39.9
C225	4030016790	S.CER ECJ0EB1C103K	[B]	T 125/36.8
C226	4030017580	S.CER ECJ0EC1H060C	[B]	T 123.4/40.8
C227	4030017460	S.CER ECJ0EB1E102K	[B]	T 48/35
C228	4030017460	S.CER ECJ0EB1E102K	[C]	T 49.4/37.2
	4030017460	S.CER ECJ0EB1E102K	[O]	
	4030017460	S.CER ECJ0EB1E102K	[K]	
	4030017420	S.CER ECJ0EC1H470J	[D]	
	4030017420	S.CER ECJ0EC1H470J	[P]	
	4030017460	S.CER ECJ0EB1E102K	[E]	
	4030017460	S.CER ECJ0EB1E102K	[F]	
	4030017460	S.CER ECJ0EB1E102K	[G]	
	4030017460	S.CER ECJ0EB1E102K	[K]	
	4030017460	S.CER ECJ0EB1E102K	[I]	
	4030017460	S.CER ECJ0EB1E102K	[H]	
C229	4030017620	S.CER ECJ0EC1H100C	[C]	B 50.8/40.8
	4030017620	S.CER ECJ0EC1H100C	[O]	
	4030017620	S.CER ECJ0EC1H100C	[K]	
	4030017620	S.CER ECJ0EC1H100C	[D]	
	4030017570	S.CER ECJ0EC1H040B	[P]	
	4030017620	S.CER ECJ0EC1H100C	[E]	
	4030017620	S.CER ECJ0EC1H100C	[F]	
	4030017620	S.CER ECJ0EC1H100C	[G]	
	4030017620	S.CER ECJ0EC1H100C	[K]	
	4030017620	S.CER ECJ0EC1H100C	[I]	
	4030017620	S.CER ECJ0EC1H100C	[H]	
C230	4030017460	S.CER ECJ0EB1E102K	[B]	B 48.8/49.7
C231	4030017340	S.CER ECJ0EC1H010B	[B]	B 51.5/44.8
C232	4030017460	S.CER ECJ0EB1E102K	[B]	B 55.2/40.6
C234	4030017370	S.CER ECJ0EB1H3R5B	[B]	T 50.8/49.7
C235	4030017460	S.CER ECJ0EB1E102K	[B]	B 45.8/42.9
C236	4030017580	S.CER ECJ0EC1H060C	[B]	B 44.2/44.6
	4030017580	S.CER ECJ0EC1H060C	[O]	
	4030017580	S.CER ECJ0EC1H060C	[K]	
	4030017620	S.CER ECJ0EC1H100C	[D]	
	4030017620	S.CER ECJ0EC1H100C	[P]	
	4030017620	S.CER ECJ0EC1H100C	[E]	
	4030017620	S.CER ECJ0EC1H100C	[F]	
	4030017620	S.CER ECJ0EC1H100C	[G]	
	4030017620	S.CER ECJ0EC1H100C	[K]	
	4030017620	S.CER ECJ0EC1H100C	[I]	
	4030017620	S.CER ECJ0EC1H100C	[H]	
C237	4030017620	S.CER ECJ0EC1H100C	[C]	B 45.1/46
	4030017620	S.CER ECJ0EC1H100C	[O]	
	4030017620	S.CER ECJ0EC1H100C	[K]	
	4030017400	S.CER ECJ0EC1H220J	[D]	
	4030017400	S.CER ECJ0EC1H220J	[P]	
	4030017620	S.CER ECJ0EC1H100C	[E]	
	4030017620	S.CER ECJ0EC1H100C	[F]	
	4030017620	S.CER ECJ0EC1H100C	[G]	
	4030017620	S.CER ECJ0EC1H100C	[K]	
	4030017620	S.CER ECJ0EC1H100C	[I]	
	4030017620	S.CER ECJ0EC1H100C	[H]	

M.=Mounted side (T: Mounted on the Top side, B: Mounted on the Bottom side)
S.=Surface mount

[MAIN-A UNIT] (For MDC compatible versions)

REF NO.	PARTS NO.	DESCRIPTION	M.	H/V LOCATION
C239	4030017550	S.CER ECJ0EC1H1R5B	[C]	B 12.9/35.7
	4030017550	S.CER ECJ0EC1H1R5B	[O]	
	4030017550	S.CER ECJ0EC1H1R5B	[K]	
	4030017350	S.CER ECJ0EC1H020B	[D]	
	4030017350	S.CER ECJ0EC1H020B	[P]	
	4030017550	S.CER ECJ0EC1H1R5B	[E]	
	4030017550	S.CER ECJ0EC1H1R5B	[F]	
	4030017550	S.CER ECJ0EC1H1R5B	[G]	
	4030017550	S.CER ECJ0EC1H1R5B	[I]	
	4030017550	S.CER ECJ0EC1H1R5B	[L]	
	4030017350	S.CER ECJ0EC1H020B	[H]	
C240	4030017610	S.CER ECJ0EC1H090C	[C]	B 14/34.4
	4030017610	S.CER ECJ0EC1H090C	[O]	
	4030017610	S.CER ECJ0EC1H090C	[K]	
	4030017600	S.CER ECJ0EC1H080C	[D]	
	4030017600	S.CER ECJ0EC1H080C	[P]	
	4030017610	S.CER ECJ0EC1H090C	[E]	
	4030017610	S.CER ECJ0EC1H090C	[F]	
	4030017610	S.CER ECJ0EC1H090C	[G]	
	4030017610	S.CER ECJ0EC1H090C	[I]	
	4030017600	S.CER ECJ0EC1H080C	[L]	
	4030017340	S.CER ECJ0EC1H010B	[H]	
C241	4030017340	S.CER ECJ0EC1H010B	[C]	B 15.5/37.7
	4030017340	S.CER ECJ0EC1H010B	[O]	
	4030017340	S.CER ECJ0EC1H010B	[K]	
	4030017520	S.CER ECJ0EC1H0R3B	[D]	
	4030017520	S.CER ECJ0EC1H0R3B	[P]	
	4030017340	S.CER ECJ0EC1H010B	[E]	
	4030017340	S.CER ECJ0EC1H010B	[F]	
	4030017340	S.CER ECJ0EC1H010B	[G]	
	4030017340	S.CER ECJ0EC1H010B	[I]	
	4030017520	S.CER ECJ0EC1H0R3B	[L]	
	4030017340	S.CER ECJ0EC1H010B	[H]	
C242	4030017610	S.CER ECJ0EC1H090C	[C]	B 10.4/35.7
	4030017610	S.CER ECJ0EC1H090C	[O]	
	4030017610	S.CER ECJ0EC1H090C	[K]	
	4030017600	S.CER ECJ0EC1H080C	[D]	
	4030017600	S.CER ECJ0EC1H080C	[P]	
	4030017610	S.CER ECJ0EC1H090C	[E]	
	4030017610	S.CER ECJ0EC1H090C	[F]	
	4030017610	S.CER ECJ0EC1H090C	[G]	
	4030017610	S.CER ECJ0EC1H090C	[I]	
	4030017610	S.CER ECJ0EC1H090C	[L]	
	4030017610	S.CER ECJ0EC1H090C	[H]	
C243	4030017460	S.CER ECJ0EB1E102K	[C]	B 15.4/32.2
	4030017460	S.CER ECJ0EB1E102K	[O]	
C244	4030017460	S.CER ECJ0EB1E102K	[K]	B 9.7/31.4
C245	4550006780	S.TAN TEESVB2 0J 476M8R	[D]	B 5.6/18.7
C246	4030016930	S.CER ECJ0EB1A104K	[P]	B 104.2/52.7
C247	4030016930	S.CER ECJ0EB1A104K	[E]	B 106/54.6
C248	4030016930	S.CER ECJ0EB1A104K	[F]	B 107.6/52.4
C249	4030018900	S.CER ECJ0EB0J474K	[G]	B 121/47.2
C250	4030017630	S.CER ECJ0EC1H120J	[I]	T 120.4/39.9
C251	4030017380	S.CER ECJ0EC1H050B	[C]	B 66.3/65.9
	4030017380	S.CER ECJ0EC1H050B	[O]	
	4030017380	S.CER ECJ0EC1H050B	[K]	
	4030017370	S.CER ECJ0EC1H3R5B	[D]	
	4030017370	S.CER ECJ0EC1H3R5B	[P]	
	4030017380	S.CER ECJ0EC1H050B	[E]	
	4030017380	S.CER ECJ0EC1H050B	[F]	
	4030017380	S.CER ECJ0EC1H050B	[G]	
	4030017380	S.CER ECJ0EC1H050B	[I]	
	4030017370	S.CER ECJ0EC1H3R5B	[L]	
	4030017370	S.CER ECJ0EC1H3R5B	[H]	
C252	4030017420	S.CER ECJ0EC1H470J	[C]	B 61/66.2
	4030017730	S.CER ECJ0EB1E471K	[O]	
C253	4030017420	S.CER ECJ0EC1H470J	[K]	B 65.1/70.5
C254	4030017420	S.CER ECJ0EC1H470J	[D]	B 69.9/71.1
C255	4030017420	S.CER ECJ0EC1H470J	[P]	B 63.2/65
C257	4030017530	S.CER ECJ0EC1H0R5B	[C]	B 70.2/66.9
	4030017530	S.CER ECJ0EC1H0R5B	[O]	
	4030017530	S.CER ECJ0EC1H0R5B	[K]	
	4030017520	S.CER ECJ0EC1H0R3B	[D]	
	4030017520	S.CER ECJ0EC1H0R3B	[P]	
	4030017530	S.CER ECJ0EC1H0R5B	[E]	
	4030017530	S.CER ECJ0EC1H0R5B	[F]	
	4030017530	S.CER ECJ0EC1H0R5B	[G]	
	4030017530	S.CER ECJ0EC1H0R5B	[I]	
	4030017530	S.CER ECJ0EC1H0R5B	[L]	
	4030017520	S.CER ECJ0EC1H0R3B	[H]	
C258	4030017460	S.CER ECJ0EB1E102K	[C]	B 6.5/33.5
	4030017460	S.CER ECJ0EB1E102K	[O]	
C259	4030017460	S.CER ECJ0EB1E102K	[K]	B 16.4/42.4
C260	4030017340	S.CER ECJ0EC1H010B	[D]	B
	4030017340	S.CER ECJ0EC1H010B	[P]	
C261	4030017460	S.CER ECJ0EB1E102K	[C]	B 8.1/34.4
	4030017460	S.CER ECJ0EB1E102K	[O]	
	4030016790	S.CER ECJ0EB1C103K	[K]	
	4030017420	S.CER ECJ0EC1H470J	[D]	
	4030017460	S.CER ECJ0EB1E102K	[P]	
	4030017460	S.CER ECJ0EB1E102K	[E]	
	4030017360	S.CER ECJ0EC1H030B	[F]	
	4030017550	S.CER ECJ0EC1H1R5B	[G]	
	4030017580	S.CER ECJ0EC1H060C	[I]	
	4030017580	S.CER ECJ0EC1H060C	[L]	
	4030017570	S.CER ECJ0EC1H040B	[H]	
C262	4030017460	S.CER ECJ0EB1E102K	[C]	B 9/36.9
	4030017460	S.CER ECJ0EB1E102K	[O]	
	4030016790	S.CER ECJ0EB1C103K	[K]	
	4030017420	S.CER ECJ0EC1H470J	[D]	
	4030017460	S.CER ECJ0EB1E102K	[P]	
	4030017460	S.CER ECJ0EB1E102K	[E]	
	4030017360	S.CER ECJ0EC1H030B	[F]	
	4030017550	S.CER ECJ0EC1H1R5B	[G]	
	4030017580	S.CER ECJ0EC1H060C	[I]	
	4030017580	S.CER ECJ0EC1H060C	[L]	
	4030017570	S.CER ECJ0EC1H040B	[H]	
C263	4030017460	S.CER ECJ0EB1E102K	[C]	B 5.4/36.4
	4030017460	S.CER ECJ0EB1E102K	[O]	
	4030016790	S.CER ECJ0EB1C103K	[K]	
	4030017420	S.CER ECJ0EC1H470J	[D]	
	4030017460	S.CER ECJ0EB1E102K	[P]	
	4030017460	S.CER ECJ0EB1E102K	[E]	
	4030017360	S.CER ECJ0EC1H030B	[F]	
	4030017550	S.CER ECJ0EC1H1R5B	[G]	
	4030017580	S.CER ECJ0EC1H060C	[I]	
	4030017580	S.CER ECJ0EC1H060C	[L]	
	4030017570	S.CER ECJ0EC1H040B	[H]	
C264	4030017460	S.CER ECJ0EB1E102K	[C]	B 7.3/39.4
	4030017460	S.CER ECJ0EB1E102K	[O]	
	4030016790	S.CER ECJ0EB1C103K	[K]	
	4030017420	S.CER ECJ0EC1H470J	[D]	
	4030017460	S.CER ECJ0EB1E102K	[P]	
	4030017460	S.CER ECJ0EB1E102K	[E]	
	4030017360	S.CER ECJ0EC1H030B	[F]	
	4030017550	S.CER ECJ0EC1H1R5B	[G]	
	4030017580	S.CER ECJ0EC1H060C	[I]	
	4030017580	S.CER ECJ0EC1H060C	[L]	
	4030017570	S.CER ECJ0EC1H040B	[H]	
C265	4030017460	S.CER ECJ0EB1E102K	[C]	B 72.3/69.4
	4030017460	S.CER ECJ0EB1E102K	[O]	
	4030016790	S.CER ECJ0EB1C103K	[K]	
	4030017420	S.CER ECJ0EC1H470J	[D]	
	4030017460	S.CER ECJ0EB1E102K	[P]	
	4030017460	S.CER ECJ0EB1E102K	[E]	
	4030017360	S.CER ECJ0EC1H030B	[F]	
	4030017550	S.CER ECJ0EC1H1R5B	[G]	
	4030017580	S.CER ECJ0EC1H060C	[I]	
	4030017580	S.CER ECJ0EC1H060C	[L]	
	4030017570	S.CER ECJ0EC1H040B	[H]	
C266	4030017460	S.CER ECJ0EB1E102K	[C]	B 71.1/70.5
	4030017460	S.CER ECJ0EB1E102K	[O]	
	4030016790	S.CER ECJ0EB1C103K	[K]	
	4030017420	S.CER ECJ0EC1H470J	[D]	
	4030017460	S.CER ECJ0EB1E102K	[P]	
	4030017460	S.CER ECJ0EB1E102K	[E]	
	4030017360	S.CER ECJ0EC1H030B	[F]	
	4030017550	S.CER ECJ0EC1H1R5B	[G]	
	4030017580	S.CER ECJ0EC1H060C	[I]	
	4030017580	S.CER ECJ0EC1H060C	[L]	
	4030017570	S.CER ECJ0EC1H040B	[H]	

[MAIN-A UNIT] (For MDC compatible versions)

REF NO.	PARTS NO.	DESCRIPTION	M.	H/V LOCATION	
C271	4030017340	S.CER ECJ0EC1H010B	[C]	B 10.9/36.9	
	4030017340	S.CER ECJ0EC1H010B	[O]		
	4030017340	S.CER ECJ0EC1H010B	[K]		
	4030017520	S.CER ECJ0EC1H0R3B	[D]		
	4030017520	S.CER ECJ0EC1H0R3B	[P]		
	4030017340	S.CER ECJ0EC1H010B	[E]		
	4030017340	S.CER ECJ0EC1H010B	[F]		
	4030017340	S.CER ECJ0EC1H010B	[G]		
	4030017340	S.CER ECJ0EC1H010B	[I]		
	4030017340	S.CER ECJ0EC1H010B	[L]		
	4030017340	S.CER ECJ0EC1H010B	[H]		
C272	4030016930	S.CER ECJ0EB1A104K	[C]	B 12.2/43.3	
	4030016930	S.CER ECJ0EB1A104K	[O]		
	4030017460	S.CER ECJ0EB1E102K	[K]		
	4030017420	S.CER ECJ0EC1H470J	[D]		
	4030017590	S.CER ECJ0EC1H070C	[P]		
	4030017590	S.CER ECJ0EC1H070C	[E]		
	4030017590	S.CER ECJ0EC1H070C	[F]		
	4030017590	S.CER ECJ0EC1H070C	[G]		
	4030017590	S.CER ECJ0EC1H070C	[I]		
	4030017590	S.CER ECJ0EC1H070C	[L]		
	4030017590	S.CER ECJ0EC1H070C	[H]		
C273	4030016930	S.CER ECJ0EB1A104K	[C]	B 12.8/40.8	
	4030016930	S.CER ECJ0EB1A104K	[O]		
C274	4030017460	S.CER ECJ0EB1E102K	[K]	B 3.9/41	
	4030017420	S.CER ECJ0EC1H470J	[D]		
C275	4030017590	S.CER ECJ0EC1H070C	[P]	B 13.5/39.1	
	4030017590	S.CER ECJ0EC1H070C	[E]		
C276	4030017590	S.CER ECJ0EC1H070C	[F]	B 10/41.9	
	4030017590	S.CER ECJ0EC1H070C	[G]		
C277	4030017590	S.CER ECJ0EC1H070C	[I]	B 13.5/39.1	
	4030017590	S.CER ECJ0EC1H070C	[L]		
C278	4030017590	S.CER ECJ0EC1H070C	[C]	B 9.5/43.2	
	4030017590	S.CER ECJ0EC1H070C	[O]		
C279	4030017580	S.CER ECJ0EC1H060C	[K]	B 6.7/45.2	
	4030017580	S.CER ECJ0EC1H060C	[D]		
	4030017590	S.CER ECJ0EC1H070C	[P]		
	4030017590	S.CER ECJ0EC1H070C	[E]		
	4030017590	S.CER ECJ0EC1H070C	[F]		
	4030017590	S.CER ECJ0EC1H070C	[G]		
	4030017590	S.CER ECJ0EC1H070C	[I]		
	4030017590	S.CER ECJ0EC1H070C	[L]		
	4030017590	S.CER ECJ0EC1H070C	[H]		
	4030017410	S.CER ECJ0EC1H240J	[C]		B 6.7/45.2
	4030017560	S.CER ECJ0EC1H2R5B	[O]		
C280	4030017560	S.CER ECJ0EC1H2R5B	[K]	B 10/46.8	
	4030017560	S.CER ECJ0EC1H2R5B	[D]		
C281	4030017350	S.CER ECJ0EC1H020B	[C]	B 95.5/36.2	
	4030017350	S.CER ECJ0EC1H020B	[O]		
	4030017560	S.CER ECJ0EC1H2R5B	[K]		
	4030017560	S.CER ECJ0EC1H2R5B	[D]		
	4030017560	S.CER ECJ0EC1H2R5B	[P]		
	4030017560	S.CER ECJ0EC1H2R5B	[E]		
	4030017560	S.CER ECJ0EC1H2R5B	[F]		
	4030017560	S.CER ECJ0EC1H2R5B	[G]		
	4030017560	S.CER ECJ0EC1H2R5B	[I]		
	4030017350	S.CER ECJ0EC1H020B	[L]		
	4030017350	S.CER ECJ0EC1H020B	[H]		
C282	4030017420	S.CER ECJ0EC1H470J	[C]	T 95.5/36.2	
	4030017420	S.CER ECJ0EC1H470J	[O]		
C283	4030017420	S.CER ECJ0EC1H470J	[K]	T 102.2/41.1	
	4030017420	S.CER ECJ0EC1H470J	[D]		
C284	4030017420	S.CER ECJ0EC1H470J	[P]	T 95.8/47	
	4030017420	S.CER ECJ0EC1H470J	[E]		
C285	4030017420	S.CER ECJ0EC1H470J	[F]	T 97.8/37.2	
	4030017420	S.CER ECJ0EC1H470J	[G]		
C286	4030017420	S.CER ECJ0EC1H470J	[I]	T 94.9/44.7	
	4030017420	S.CER ECJ0EC1H470J	[L]		
C287	4030017420	S.CER ECJ0EC1H470J	[C]	T 93.8/44.7	
	4030017420	S.CER ECJ0EC1H470J	[O]		
C288	4030017460	S.CER ECJ0EB1E102K	[K]	T 93	

[MAIN-A UNIT] (For MDC compatible versions)

REF NO.	PARTS NO.	DESCRIPTION	M.	H/V LOCATION	
C306	4030011040	S.CER GRM31M4C2H2R0CY21L (GRM42-6 CK)	[C]	T 25.6/76.6	
	4030011050	S.CER GRM31M3C2H3R0CY21L (GRM42-6 CJ)	[O]		
	4030011050	S.CER GRM31M3C2H3R0CY21L (GRM42-6 CJ)	[K]		
	4030011030	S.CER GRM31M4C2H1R5CY21L (GRM42-6 CK)	[D]		
	4030011030	S.CER GRM31M4C2H1R5CY21L (GRM42-6 CK)	[P]		
	4030011040	S.CER GRM31M4C2H2R0CY21L (GRM42-6 CK)	[E]		
	4030011040	S.CER GRM31M4C2H2R0CY21L (GRM42-6 CK)	[F]		
	4030011040	S.CER GRM31M4C2H2R0CY21L (GRM42-6 CK)	[G]		
	4030011050	S.CER GRM31M3C2H3R0CY21L (GRM42-6 CJ)	[K]		
	4030011040	S.CER GRM31M4C2H2R0CY21L (GRM42-6 CK)	[I]		
	4030011030	S.CER GRM31M4C2H1R5CY21L (GRM42-6 CK)	[H]		
	C307	4030011040	S.CER GRM31M4C2H2R0CY21L (GRM42-6 CK)	[C]	T 25.6/73.8
		4030011040	S.CER GRM31M4C2H2R0CY21L (GRM42-6 CK)	[O]	
		4030011040	S.CER GRM31M4C2H2R0CY21L (GRM42-6 CK)	[K]	
		4030011040	S.CER GRM31M4C2H2R0CY21L (GRM42-6 CK)	[D]	
		4030011020	S.CER GRM31M4C2H1R0CY21L (GRM42-6 CK)	[P]	
4030011040		S.CER GRM31M4C2H2R0CY21L (GRM42-6 CK)	[E]		
4030011040		S.CER GRM31M4C2H2R0CY21L (GRM42-6 CK)	[F]		
4030011040		S.CER GRM31M4C2H2R0CY21L (GRM42-6 CK)	[G]		
4030011040		S.CER GRM31M4C2H2R0CY21L (GRM42-6 CK)	[K]		
4030011040		S.CER GRM31M4C2H2R0CY21L (GRM42-6 CK)	[I]		
4030011040		S.CER GRM31M4C2H2R0CY21L (GRM42-6 CK)	[H]		
C308		4030011050	S.CER GRM31M3C2H3R0CY21L (GRM42-6 CJ)	[C]	T 27.6/71.2
		4030011040	S.CER GRM31M4C2H2R0CY21L (GRM42-6 CK)	[O]	
		4030011040	S.CER GRM31M4C2H2R0CY21L (GRM42-6 CK)	[K]	
		4030011040	S.CER GRM31M4C2H2R0CY21L (GRM42-6 CK)	[D]	
		4030011020	S.CER GRM31M4C2H1R0CY21L (GRM42-6 CK)	[P]	
	4030011050	S.CER GRM31M3C2H3R0CY21L (GRM42-6 CJ)	[E]		
	4030011050	S.CER GRM31M3C2H3R0CY21L (GRM42-6 CJ)	[F]		
	4030011050	S.CER GRM31M3C2H3R0CY21L (GRM42-6 CJ)	[G]		
	4030011040	S.CER GRM31M4C2H2R0CY21L (GRM42-6 CK)	[K]		
	4030011050	S.CER GRM31M3C2H3R0CY21L (GRM42-6 CJ)	[I]		
	4030011040	S.CER GRM31M4C2H2R0CY21L (GRM42-6 CK)	[H]		
	C309	4030017460	S.CER ECJ0EB1E102K	[C]	T 71.4/76.6
		4030017420	S.CER ECJ0EC1H470J	[O]	43.9/76.6
		4030017460	S.CER ECJ0EB1E102K	[K]	45/76.6
		4030017730	S.CER ECJ0EB1E471K	[D]	46.1/76.6
		4510008680	S.ELE EEE1EA220SP	[E]	51.8/83
4030017420		S.CER ECJ0EC1H470J	[F]	33.4/66.3	
4030017460		S.CER ECJ0EB1E102K	[G]	57.6/63.6	
4030016790		S.CER ECJ0EB1C103K	[H]	55.9/64.5	
4030016970		S.CER ECJ0EB1C223K	[I]	55.8/70.1	
4030016930		S.CER ECJ0EB1A104K	[J]		
4030016930		S.CER ECJ0EB1A104K	[K]		
4030016970		S.CER ECJ0EB1C223K	[L]		
4030016930		S.CER ECJ0EB1A104K	[M]		
4030016970		S.CER ECJ0EB1C223K	[N]		
4030016970		S.CER ECJ0EB1C223K	[O]		
C318		4030017460	S.CER ECJ0EB1E102K	[C]	T 34.9/66.7
		4030017460	S.CER ECJ0EB1E102K	[D]	
	4030017460	S.CER ECJ0EB1E102K	[E]		
	4030017460	S.CER ECJ0EB1E102K	[F]		
	4030017460	S.CER ECJ0EB1E102K	[G]		
	4030017460	S.CER ECJ0EB1E102K	[H]		
	4030017460	S.CER ECJ0EB1E102K	[I]		
	4030017460	S.CER ECJ0EB1E102K	[J]		
C319	4030017460	S.CER ECJ0EB1E102K	[C]	B 45.3/66.9	
	4030017460	S.CER ECJ0EB1E102K	[D]		
	4030017460	S.CER ECJ0EB1E102K	[E]		
	4030017460	S.CER ECJ0EB1E102K	[F]		
	4030017460	S.CER ECJ0EB1E102K	[G]		
	4030017460	S.CER ECJ0EB1E102K	[H]		
	4030017460	S.CER ECJ0EB1E102K	[I]		
C320	4030017510	S.CER ECJ0EC1H680J	[C]	B 13.9/52.1	
	4030017460	S.CER ECJ0EB1E102K	[D]	B 16.5/48.8	

[MAIN-A UNIT] (For MDC compatible versions)

REF NO.	PARTS NO.	DESCRIPTION	M.	H/V LOCATION	
C322	4030017350	S.CER ECJ0EC1H020B	[C]	B 21.2/51.2	
	4030017350	S.CER ECJ0EC1H020B	[O]		
	4030017350	S.CER ECJ0EC1H020B	[K]		
	C324	4030017350	S.CER ECJ0EC1H0R5B	[D]	
		4030017350	S.CER ECJ0EC1H0R5B	[P]	
		4030017350	S.CER ECJ0EC1H020B	[E]	
		4030017350	S.CER ECJ0EC1H020B	[F]	
		4030017350	S.CER ECJ0EC1H020B	[G]	
		4030017350	S.CER ECJ0EC1H020B	[K]	
		4030017350	S.CER ECJ0EC1H020B	[I]	
		4030017350	S.CER ECJ0EC1H0R5B	[H]	
		4030017420	S.CER ECJ0EC1H470J	[C]	T 90.1/41.7
		4030017460	S.CER ECJ0EB1E102K	[O]	73.2/67.6
		4030017420	S.CER ECJ0EC1H470J	[K]	40.5/67.3
		4030017460	S.CER ECJ0EB1E102K	[D]	83.9/79.3
	4030017420	S.CER ECJ0EC1H470J	[O]	82.9/79.3	
	4030017400	S.CER ECJ0EC1H220J	[K]	81.9/79.3	
	4510008540	S.ELE EEE1CA100SR	[D]	96.7/53.9	
	4510008540	S.ELE EEE1CA100SR	[P]	60.6/55.1	
	4030017780	S.CER ECJ0EB1E472K	[E]	53.5/66.1	
	4030017460	S.CER ECJ0EB1E102K	[F]	50.8/70.2	
	4030017460	S.CER ECJ0EB1E102K	[G]	48.7/69.4	
	4030011030	S.CER GRM31M4C2H1R5CY21L (GRM42-6 CK)	[O]	T 14.3/56.9	
	4030011030	S.CER GRM31M4C2H1R5CY21L (GRM42-6 CK)	[K]		
	4030011030	S.CER GRM31M4C2H1R5CY21L (GRM42-6 CK)	[D]		
	C337	4030017600	S.CER ECJ0EC1H080C	[C]	B 28.2/53.7
		4030017600	S.CER ECJ0EC1H080C	[O]	
		4030017600	S.CER ECJ0EC1H080C	[K]	
		4030017380	S.CER ECJ0EC1H050B	[D]	
		4030017380	S.CER ECJ0EC1H050B	[P]	
		4030017600	S.CER ECJ0EC1H080C	[E]	
		4030017600	S.CER ECJ0EC1H080C	[F]	
		4030017600	S.CER ECJ0EC1H080C	[G]	
4030017600		S.CER ECJ0EC1H080C	[K]		
4030017600		S.CER ECJ0EC1H080C	[I]		
4030017380		S.CER ECJ0EC1H050B	[H]		
4510008540		S.ELE EEE1CA100SR	[J]	T 79.1/69.1	
4030017460	S.CER ECJ0EB1E102K	[K]	T 79.1/62.1		
4030017460	S.CER ECJ0EB1E102K	[L]	T 63.5/55.5		
4030016790	S.CER ECJ0EB1C103K	[M]	T 68.1/62.9		
4030017200	S.CER GRM31BR32J102KY01L (GHM1030 R)	[N]	T 26.8/61.7		
C343	4030011050	S.CER GRM31M3C2H3R0CY21L (GRM42-6 CJ)	[C]	T 23/63.3	
	4030011050	S.CER GRM31M3C2H3R0CY21L (GRM42-6 CJ)	[O]		
	4030011050	S.CER GRM31M3C2H3R0CY21L (GRM42-6 CJ)	[K]		
	4030011040	S.CER GRM31M4C2H2R0CY21L (GRM42-6 CK)	[D]		
	4030011040	S.CER GRM31M4C2H2R0CY21L (GRM42-6 CK)	[P]		
	4030011050	S.CER GRM31M3C2H3R0CY21L (GRM42-6 CJ)	[E]		
	4030011050	S.CER GRM31M3C2H3R0CY21L (GRM42-6 CJ)	[F]		
	4030011050	S.CER GRM31M3C2H3R0CY21L (GRM42-6 CJ)	[G]		
	4030011050	S.CER GRM31M3C2H3R0CY21L (GRM42-6 CJ)	[K]		
	4030011050	S.CER GRM31M3C2H3R0CY21L (GRM42-6 CJ)	[I]		
	4030011040	S.CER GRM31M4C2H2R0CY21L (GRM42-6 CK)	[H]		
	C344	4030011050	S.CER GRM31M3C2H3R0CY21L (GRM42-6 CJ)	[C]	T 20.9/63.3
4030011050		S.CER GRM31M3C2H3R0CY21L (GRM42-6 CJ)	[O]		
C345	4030011050	S.CER GRM31M3C2H3R0CY21L (GRM42-6 CJ)	[C]	T 18.3/58.5	
	4030011060	S.CER GRM31M2C2H4R0CY21L (GRM42-6 CH)	[O]		
	4030011060	S.CER GRM31M2C2H4R0CY21L (GRM42-6 CH)	[K]		
	4030011050	S.CER GRM31M3C2H3R0CY21L (GRM42-6 CJ)	[D]		
	4030011050	S.CER GRM31M3C2H3R0CY21L (GRM42-6 CJ)	[P]		
	4030011050	S.CER GRM31M3C2H3R0CY21L (GRM42-6 CJ)	[E]		
	4030011050	S.CER GRM31M3C2H3R0CY21L (GRM42-6 CJ)	[F]		
	4030011050	S.CER GRM31M3C2H3R0CY21L (GRM42-6 CJ)	[G]		
	4030011050	S.CER GRM31M3C2H3R0CY21L (GRM42-6 CJ)	[K]		
	4030011050	S.CER GRM31M3C2H3R0CY21L (GRM42-6 CJ)	[I]		
	4030011050	S.CER GRM31M3C2H3R0CY21L (GRM42-6 CJ)	[H]		
	C346	4030011070	S.CER GRM31M2C2H5R0CY21L (GRM42-6 CH)	[C]	T 34.3/58.3
4030017520		S.CER ECJ0EC1H0R3B	[D]	B 33.7/61.7	
4030017460		S.CER ECJ0EB1E102K	[E]	B 39.7/61.7	
4030011060		S.CER GRM31M2C2H4R0CY21L (GRM42-6 CH)	[F]	T 10.3/61.7	

M.=Mounted side (T: Mounted on the Top side, B: Mounted on the Bottom side)
S.=Surface mount

[MAIN-A UNIT] (For MDC compatible versions)

REF NO.	PARTS NO.	DESCRIPTION	M.	H/V LOCATION	
C350	4030011070	S.CER GRM31M2C2H5R0CY21L (GRM42-6 CH)	[C]	T 12.9/65.2	
	4030011060	S.CER GRM31M2C2H4R0CY21L (GRM42-6 CH)	[O]		
	4030011060	S.CER GRM31M2C2H4R0CY21L (GRM42-6 CH)	[K]		
	4030011050	S.CER GRM31M3C2H3R0CY21L (GRM42-6 CJ)	[D]		
	4030011050	S.CER GRM31M3C2H3R0CY21L (GRM42-6 CJ)	[P]		
	4030011070	S.CER GRM31M2C2H5R0CY21L (GRM42-6 CH)	[E]		
	4030011070	S.CER GRM31M2C2H5R0CY21L (GRM42-6 CH)	[F]		
	4030011070	S.CER GRM31M2C2H5R0CY21L (GRM42-6 CH)	[G]		
	4030011060	S.CER GRM31M2C2H4R0CY21L (GRM42-6 CH)	[K]		
	4030011070	S.CER GRM31M2C2H5R0CY21L (GRM42-6 CH)	[I]		
C351	4030016930	S.CER ECJ0EB1A104K		T 110.8/66.5	
	4030017460	S.CER ECJ0EB1E102K	B	T 124.6/59.7	
	C353	4550006250	S.TAN TEESVA 1A 106M8R	B	124/61.3
	C354	4550006250	S.TAN TEESVA 1A 106M8R	B	112.9/61.7
	C355	4030017420	S.CER ECJ0EC1H470J	B	112.6/60.1
	C356	40300011070	S.CER GRM31M2C2H5R0CY21L (GRM42-6 CH)	[C]	T 15.7/65.2
		4030011070	S.CER GRM31M2C2H5R0CY21L (GRM42-6 CH)	[O]	
		4030011070	S.CER GRM31M2C2H5R0CY21L (GRM42-6 CH)	[K]	
		4030011060	S.CER GRM31M2C2H4R0CY21L (GRM42-6 CH)	[D]	
		4030011060	S.CER GRM31M2C2H4R0CY21L (GRM42-6 CH)	[P]	
4030011070		S.CER GRM31M2C2H5R0CY21L (GRM42-6 CH)	[E]		
4030011070		S.CER GRM31M2C2H5R0CY21L (GRM42-6 CH)	[F]		
4030011070		S.CER GRM31M2C2H5R0CY21L (GRM42-6 CH)	[G]		
4030011070		S.CER GRM31M2C2H5R0CY21L (GRM42-6 CH)	[K]		
4030011070		S.CER GRM31M2C2H5R0CY21L (GRM42-6 CH)	[I]		
C357	4030011060	S.CER GRM31M2C2H4R0CY21L (GRM42-6 CH)	[C]	T 4.2/63.3	
	4030011060	S.CER GRM31M2C2H4R0CY21L (GRM42-6 CH)	[O]		
	4030011060	S.CER GRM31M2C2H4R0CY21L (GRM42-6 CH)	[K]		
	4030011030	S.CER GRM31M4C2H1R5CY21L (GRM42-6 CK)	[D]		
	4030011030	S.CER GRM31M4C2H1R5CY21L (GRM42-6 CK)	[P]		
	4030011060	S.CER GRM31M2C2H4R0CY21L (GRM42-6 CH)	[E]		
	4030011060	S.CER GRM31M2C2H4R0CY21L (GRM42-6 CH)	[F]		
	4030011060	S.CER GRM31M2C2H4R0CY21L (GRM42-6 CH)	[G]		
	4030011060	S.CER GRM31M2C2H4R0CY21L (GRM42-6 CH)	[K]		
	4030011060	S.CER GRM31M2C2H4R0CY21L (GRM42-6 CH)	[I]		
C358	4030009530	S.CER C1608 CH 1H 030B-T	B	10.7/61.4	
	C359	4030006860	S.CER C1608 JB 1H 102K-T	B	9.9/59.5
	C360	4030017460	S.CER ECJ0EB1E102K	B	8.7/54
	C361	4030017460	S.CER ECJ0EB1E102K	T	101.3/52.9
	C362	4030017460	S.CER ECJ0EB1E102K	T	106.3/21.1
	C363	4510008540	S.ELF EEE1CA100SR	T	139.1/31.9
	C365	4550007650	S.TAN F931V105MAABMA	B	107.7/65.1
	C366	4550007650	S.TAN F931V105MAABMA	B	105.6/65.1
	C367	4550007650	S.TAN F931V105MAABMA	B	103.5/65.1
	C368	4550007650	S.TAN F931V105MAABMA	B	101.4/65.1
C370	4030011050	S.CER GRM31M3C2H3R0CY21L (GRM42-6 CJ)	[C]	T 15.3/81.1	
	4030011060	S.CER GRM31M2C2H4R0CY21L (GRM42-6 CH)	[O]		
	4030011060	S.CER GRM31M2C2H4R0CY21L (GRM42-6 CH)	[K]		
	4030011040	S.CER GRM31M4C2H2R0CY21L (GRM42-6 CK)	[D]		
	4030011040	S.CER GRM31M4C2H2R0CY21L (GRM42-6 CK)	[P]		
	4030011050	S.CER GRM31M3C2H3R0CY21L (GRM42-6 CJ)	[E]		
	4030011050	S.CER GRM31M3C2H3R0CY21L (GRM42-6 CJ)	[F]		
	4030011050	S.CER GRM31M3C2H3R0CY21L (GRM42-6 CJ)	[G]		
	4030011060	S.CER GRM31M2C2H4R0CY21L (GRM42-6 CH)	[K]		
	4030011050	S.CER GRM31M3C2H3R0CY21L (GRM42-6 CJ)	[I]		

[MAIN-A UNIT] (For MDC compatible versions)

REF NO.	PARTS NO.	DESCRIPTION	M.	H/V LOCATION
C371	4030017460	S.CER ECJ0EB1E102K	B	2.9/80.8
C372	4030006860	S.CER C1608 JB 1H 102K-T	B	8.3/79.6
C373	4030016790	S.CER ECJ0EB1C103K	B	130.6/51.7
C374	4030016930	S.CER ECJ0EB1A104K	B	132.8/51.3
C375	4030016930	S.CER ECJ0EB1A104K	B	132.4/54.6
C377	4030017460	S.CER ECJ0EB1E102K	T	104.7/52.9
C378	4030017460	S.CER ECJ0EB1E102K	B	105.1/80.9
C379	4030016930	S.CER ECJ0EB1A104K	B	110.5/84.5
C380	4030017460	S.CER ECJ0EB1E102K	T	120.9/85.3
C381	4030016790	S.CER ECJ0EB1C103K	B	135.9/70.5
C382	4510008680	S.ELF EEE1EA220SP	T	68.6/63.4
C383	4030017460	S.CER ECJ0EB1E102K	B	135.9/71.5
C384	4510008870	S.ELF EEE1AA471UP	T	129.9/64.9
C386	4030016930	S.CER ECJ0EB1A104K	B	138.8/53.7
C387	4030017730	S.CER ECJ0EB1E471K	B	135.4/51.3
C388	4030018860	S.CER ECJ0EB0J105K	B	138.7/52.2
C389	4030016930	S.CER ECJ0EB1A104K	B	139.1/48.5
C390	4030016930	S.CER ECJ0EB1A104K	B	137.8/55.4
C391	4030016930	S.CER ECJ0EB1A104K	T	107.6/80
C392	4030017460	S.CER ECJ0EB1E102K	B	131.3/74.7
C393	4030017460	S.CER ECJ0EB1E102K	B	98.3/79.2
C394	4030017420	S.CER ECJ0EC1H470J	B	115.4/68
C395	4030017460	S.CER ECJ0EB1E102K	B	128.8/76.7
C397	4030017460	S.CER ECJ0EB1E102K	B	100.8/86.3
C398	4030017420	S.CER ECJ0EC1H470J	B	99.8/86.3
C399	4030018860	S.CER ECJ0EB0J105K	B	134.5/34.8
C400	4030016930	S.CER ECJ0EB1A104K	B	136.9/37
C411	4510008780	S.ELF EEE1EA471P	T	117.2/63.6
C412	4510008780	S.ELF EEE1EA471P	T	132.7/54.3
C413	4030018900	S.CER ECJ0EB0J474K	B	135.1/46.8
C414	4510008540	S.ELF EEE1CA100SR	T	113.9/50.1
C415	4030016930	S.CER ECJ0EB1A104K	B	103/23.8
C416	4030016930	S.CER ECJ0EB1A104K	B	121/51.5
C417	4030016790	S.CER ECJ0EB1C103K	B	113.8/51.7
C418	4030017460	S.CER ECJ0EB1E102K	B	102.3/57.9
C419	4030016790	S.CER ECJ0EB1C103K	T	42.5/39.1
C420	4030017420	S.CER ECJ0EC1H470J	T	39.8/37.4
C421	4030016930	S.CER ECJ0EB1A104K	B	36.1/24.2
C422	4030016790	S.CER ECJ0EB1C103K	T	42.9/33
C423	4030007090	S.CER C1608 CH 1H 470J-T	T	33.6/38.9
C424	4030016930	S.CER ECJ0EB1A104K	T	33.6/41.2
C425	4030017460	S.CER ECJ0EB1E102K	B	134.8/66.1
C426	4030011030	S.CER GRM31M4C2H1R5CY21L (GRM42-6 CK)	[C]	T 29.2/75.2
	4030011020	S.CER GRM31M4C2H1R0CY21L (GRM42-6 CK)	[O]	
	4030011020	S.CER GRM31M4C2H1R0CY21L (GRM42-6 CK)	[K]	
	4030011020	S.CER GRM31M4C2H1R0CY21L (GRM42-6 CK)	[D]	
	4030011020	S.CER GRM31M4C2H1R0CY21L (GRM42-6 CK)	[P]	
	4030011030	S.CER GRM31M4C2H1R5CY21L (GRM42-6 CK)	[E]	
	4030011030	S.CER GRM31M4C2H1R5CY21L (GRM42-6 CK)	[F]	
	4030011030	S.CER GRM31M4C2H1R5CY21L (GRM42-6 CK)	[G]	
	4030011020	S.CER GRM31M4C2H1R0CY21L (GRM42-6 CK)	[K]	
	4030011030	S.CER GRM31M4C2H1R5CY21L (GRM42-6 CK)	[I]	
	4030011020	S.CER GRM31M4C2H1R0CY21L (GRM42-6 CK)	[H]	
C427	4030017530	S.CER ECJ0EC1H0R5B	B	19.5/36.6
C428	4030018110	S.CER ECJ0EB1H272K	T	25.6/9.4
C429	4030016790	S.CER ECJ0EB1C103K	B	138.4/51
C430	4030018860	S.CER ECJ0EB0J105K	B	110.4/10.7
C431	4030017460	S.CER ECJ0EB1E102K	B	114.2/11.7
C432	4030017420	S.CER ECJ0EC1H470J	B	119.4/69.8
C433	4030017460	S.CER ECJ0EB1E102K	B	119.4/70.8
C435	4030016930	S.CER ECJ0EB1A104K	T	8.9/7.8
C436	4030016930	S.CER ECJ0EB1A104K	B	56/38.5
C437	4030016930	S.CER ECJ0EB1A104K	B	25.1/8.8
C438	4030016930	S.CER ECJ0EB1A104K	B	32.8/5.5
C440	4030016930	S.CER ECJ0EB1A104K	B	25.1/7.2
C441	4030016930	S.CER ECJ0EB1A104K	B	26.5/6
C442	4030016930	S.CER ECJ0EB1A104K	B	26.9/8.8
C443	4030017040	S.CER ECJ0EB1A333K	B	34.5/8.2
C444	4030016930	S.CER ECJ0EB1A104K	T	22.3/10.2
C445	4030017650	S.CER ECJ0EC1H270J	B	32.8/6.4
C446	4030017590	S.CER ECJ0EC1H070C	T	23/20.4
C447	4030017340	S.CER ECJ0EC1H010B	B	17.1/37.7
	4030017340	S.CER ECJ0EC1H010B	[C]	
	4030017340	S.CER ECJ0EC1H010B	[O]	
	4030017340	S.CER ECJ0EC1H010B	[K]	
	4030017340	S.CER ECJ0EB1E102K	[D]	
	4030017340	S.CER ECJ0EB1E102K	[P]	
	4030017340	S.CER ECJ0EC1H010B	[E]	
	4030017340	S.CER ECJ0EC1H010B	[F]	
	4030017340	S.CER ECJ0EC1H010B	[G]	
	4030017340	S.CER ECJ0EC1H010B	[K]	
	4030017340	S.CER ECJ0EC1H010B	[I]	
	4030017460	S.CER ECJ0EB1E102K	[H]	
C448	4030017340	S.CER ECJ0EC1H010B	[C]	B 12.5/36.9
	4030017340	S.CER ECJ0EC1H010B	[O]	
	4030017340	S.CER ECJ0EC1H010B	[K]	
	4030017460	S.CER ECJ0EB1E102K	[D]	
	4030017460	S.CER ECJ0EB1E102K	[P]	
	4030017340	S.CER ECJ0EC1H010B	[E]	
	4030017340	S.CER ECJ0EC1H010B	[F]	
	4030017340	S.CER ECJ0EC1H010B	[G]	
	4030017340	S.CER ECJ0EC1H010B	[K]	
	4030017340	S.CER ECJ0EC1H010B	[I]	
	4030017460	S.CER ECJ0EB1E102K	[H]	

M.=Mounted side (T: Mounted on the Top side, B: Mounted on the Bottom side)
S.=Surface mount

[MAIN-A UNIT] (For MDC compatible versions)

REF NO.	PARTS NO.	DESCRIPTION	M.	H/V LOCATION
C450	4030017550	S.CER ECJ0EC1H1R5B	[C]	T 65.6/36
	4030017550	S.CER ECJ0EC1H1R5B	[O]	
	4030017550	S.CER ECJ0EC1H1R5B	[K]	
	4030017550	S.CER ECJ0EC1H1R5B	[E]	
	4030017550	S.CER ECJ0EC1H1R5B	[F]	
	4030017550	S.CER ECJ0EC1H1R5B	[G]	
	4030017550	S.CER ECJ0EC1H1R5B	[K]	
	4030017550	S.CER ECJ0EC1H1R5B	[I]	
C451	4030018860	S.CER ECJ0EB0J105K	B	92.6/6.6
J1	6510026770	S.CON AXK540147YG	T	124.5/9.7
J2	6510026770	S.CON AXK540147YG	T	101.5/9.7
J3	6510021301	S.CON 52365-1071	T	90.3/62.6
J5	6510023092	S.CON 20FLT-SM2-TB(LF)(SN)(M)	T	108.3/83.2
J7	6450000140	CON HSJ0807-01-010		
J10	6510023092	S.CON 20FLT-SM2-TB(LF)(SN)(M)	T	71/7
W1	7120000470	JUM ERDS2T0		
W2	8900016250	CAB OPC-1701 <CMI>T/H!		
EP2	6910015370	S.BEA ACZ1005Y-102-T	B	60.4/28.3
EP3	6910015370	S.BEA ACZ1005Y-102-T	T	85.7/30
EP4	6910010280	BEA HF70BB9.5X10.4X4.9		
EP5	6910010280	BEA HF70BB9.5X10.4X4.9		
EP6	6910015370	S.BEA ACZ1005Y-102-T	T	79.6/41.5
EP7	6910011560	BEA HF70BB4.5X5X1.6		
EP8	0880002600	UNI EX-2887 [K] UT-126H	[G]	
	0880002600	UNI EX-2887 [K] UT-126H	[K]	
	0880002600	UNI EX-2887 [K] UT-126H	[I]	
	0880002600	UNI EX-2887 [K] UT-126H	[H]	

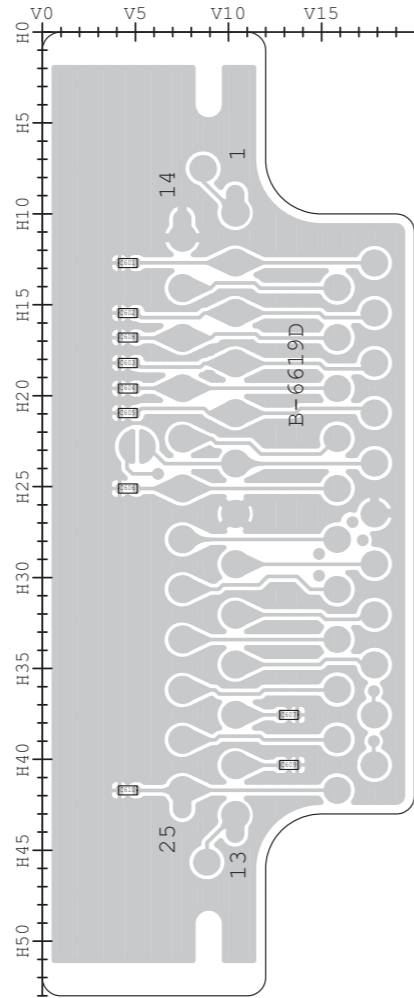
M.=Mounted side (T: Mounted on the Top side, B: Mounted on the Bottom side)
S.=Surface mount

BOARD LAYOUTS

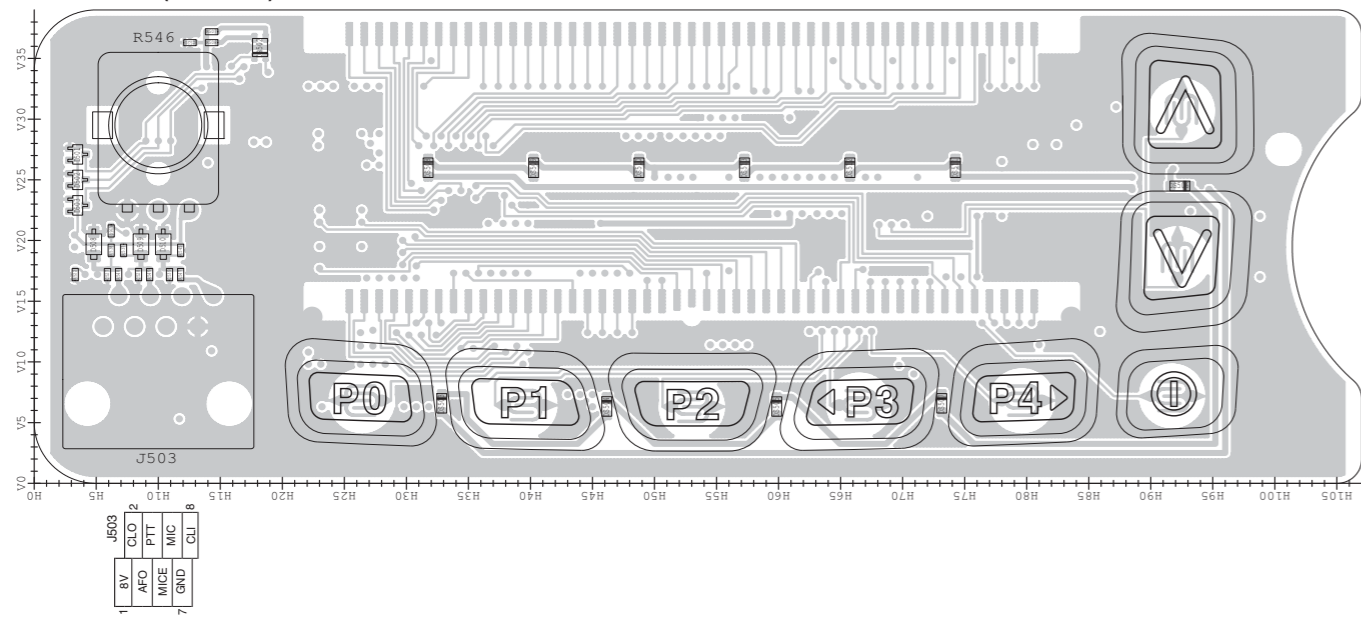
The combination of top side and bottom side of this page shows the actual configuration of P.C. board.

• For IC-F6060 series

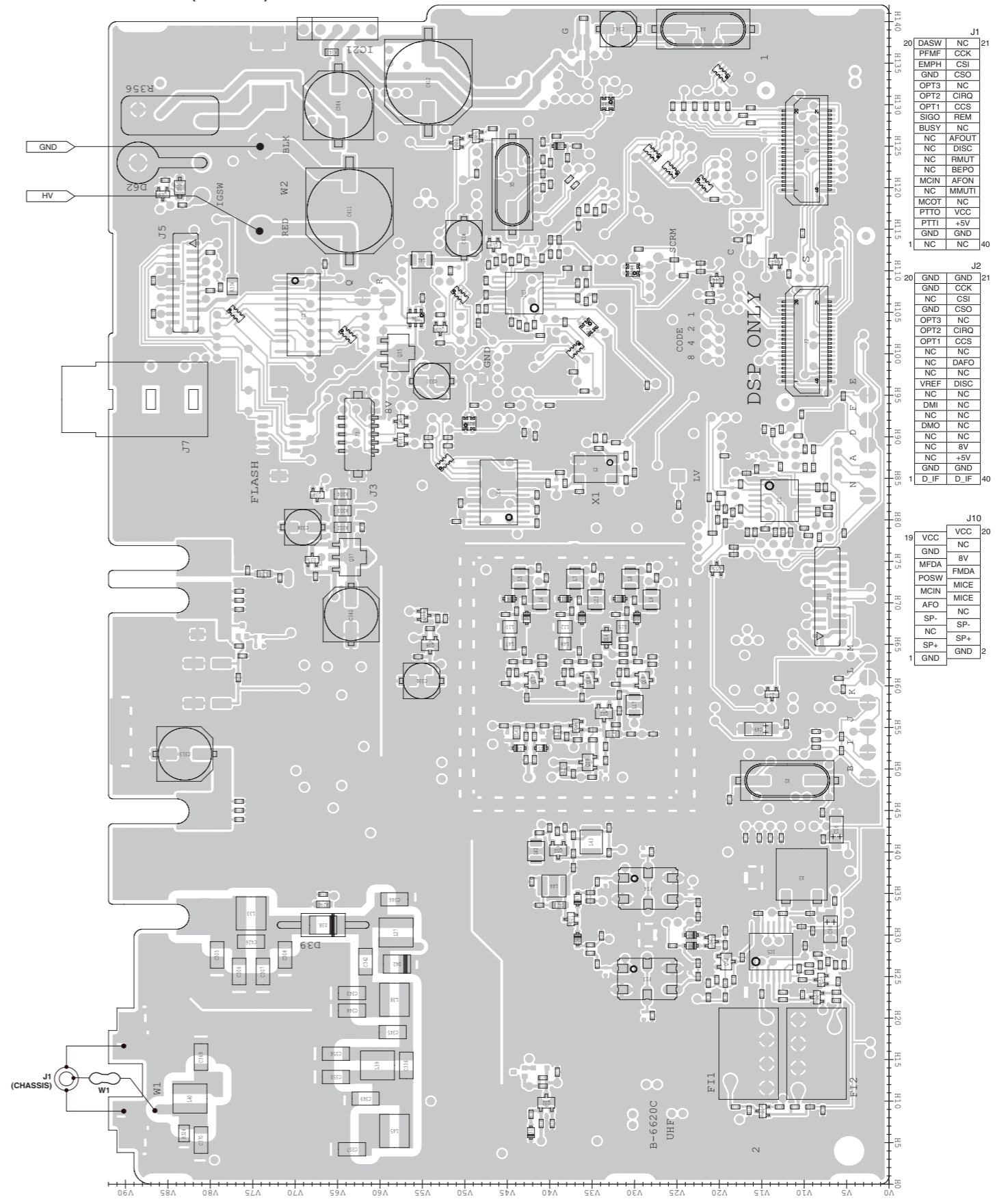
• CONNECT UNIT (TOP VIEW)



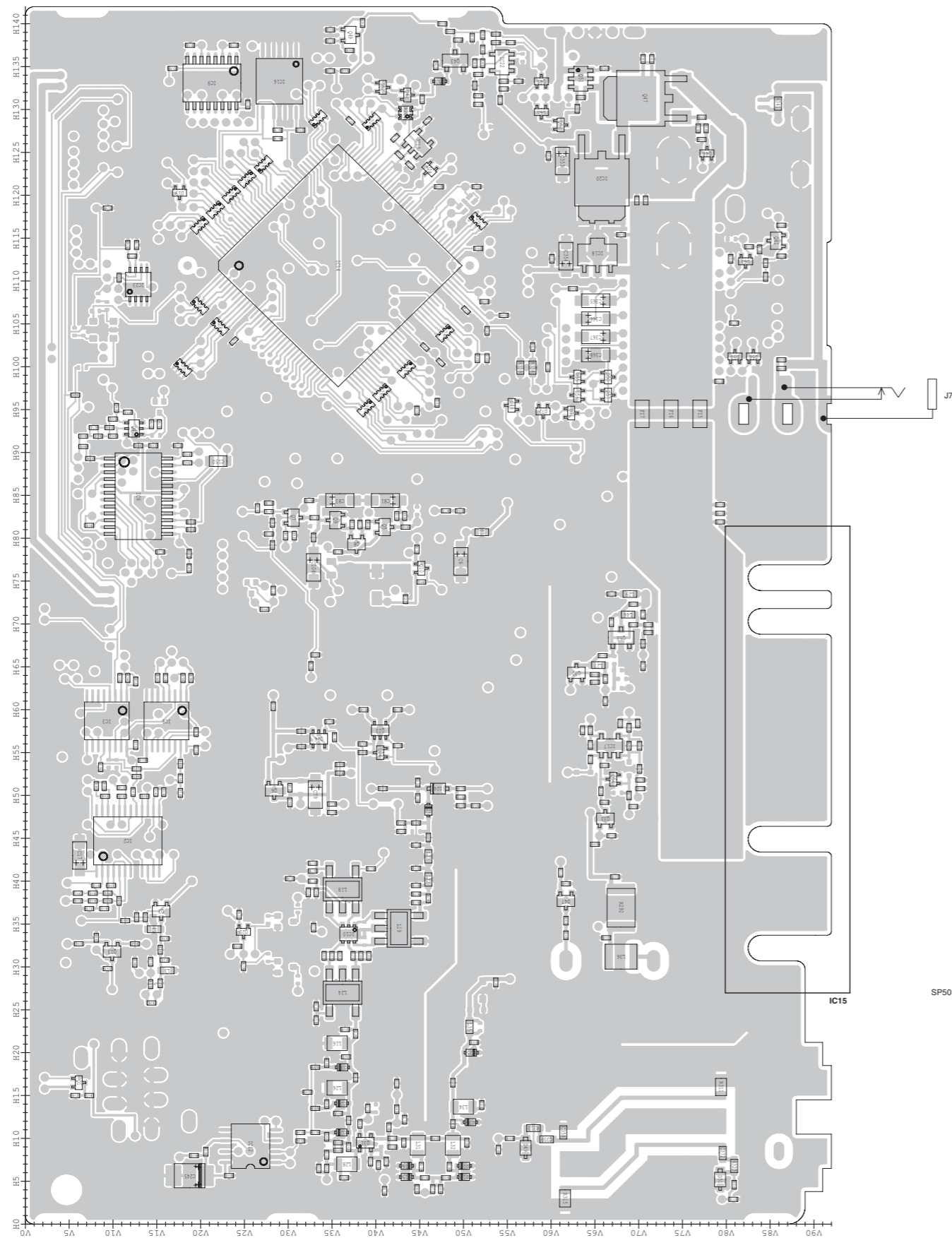
• FRONT UNIT (TOP VIEW)



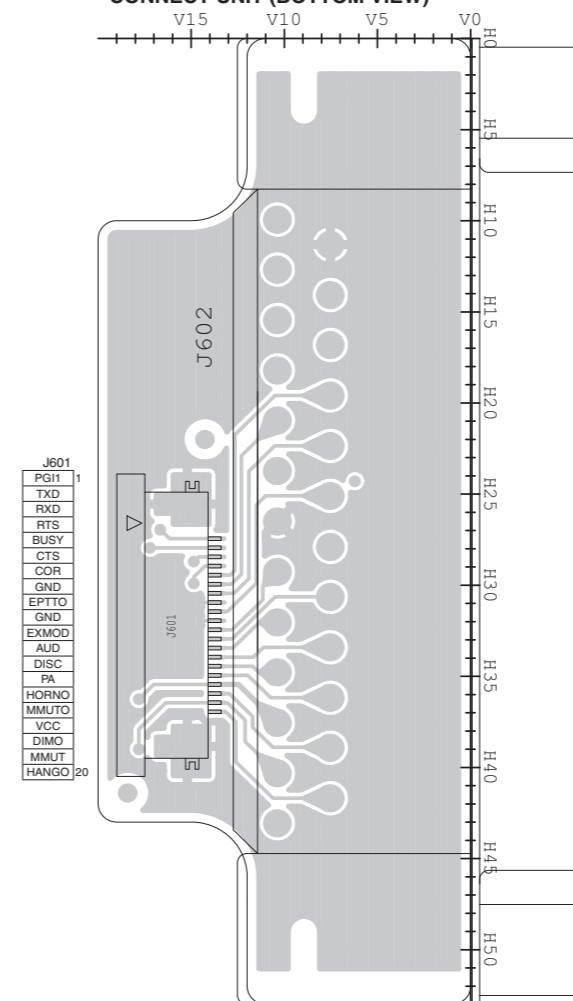
• MAIN UNIT (TOP VIEW)



• MAIN UNIT (BOTTOM VIEW)

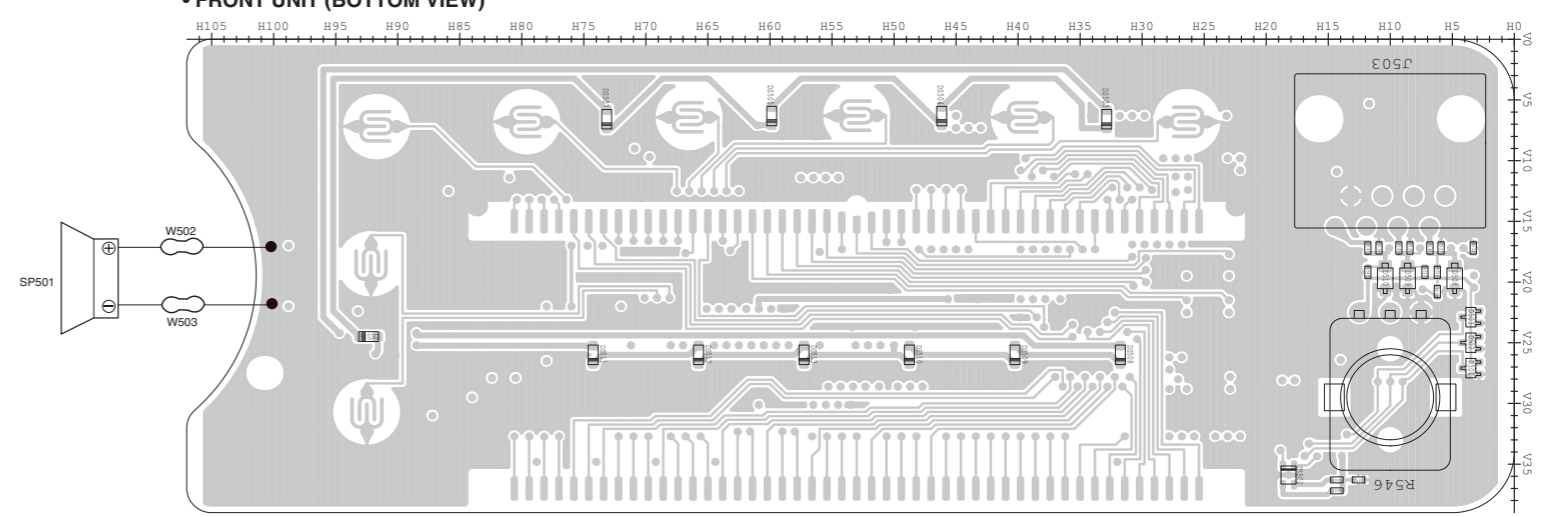


• CONNECT UNIT (BOTTOM VIEW)



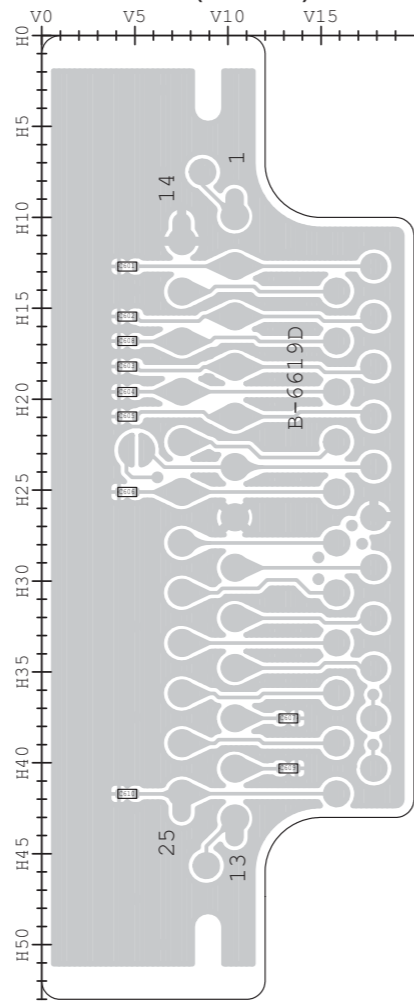
J601
PGI1
TXD
RXD
RTS
BUSY
CTS
COR
GND
EPTTO
GND
EXMOD
AUD
DISC
PA
HORNO
MMUTO
VCC
DIMO
MMUT
HANGO ²⁰

• FRONT UNIT (BOTTOM VIEW)

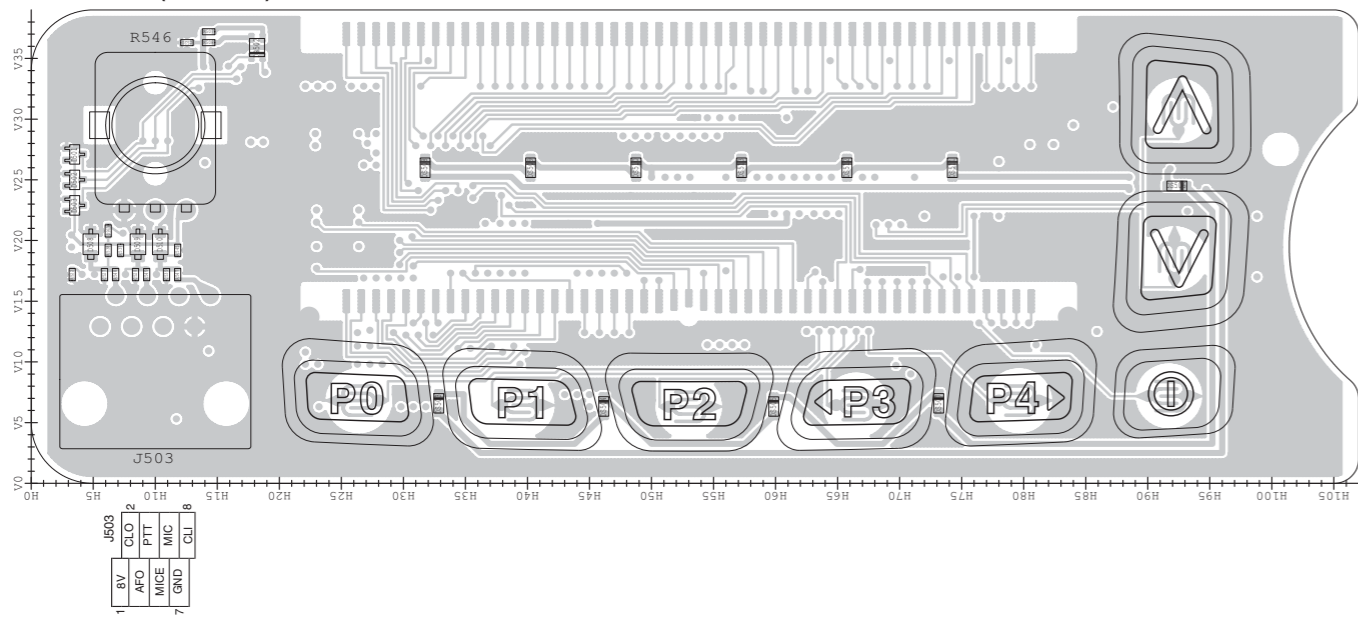


7	GND	NC
8	GND	FNDA
9	PRS	RES
10	MFCA	NMI
11	PR7	GND
12	PR6	GND
13	5V	GND
14	J501	
15	VCC	NC
16	GND	5V
17	MFDA	FNDA
18	POSW	MICE
19	MCIN	MICE
20	AFC	NC
21	SP-	SP-
22	NC	SP+
23	SP+	SP+
24	GND	GND
25	J502	

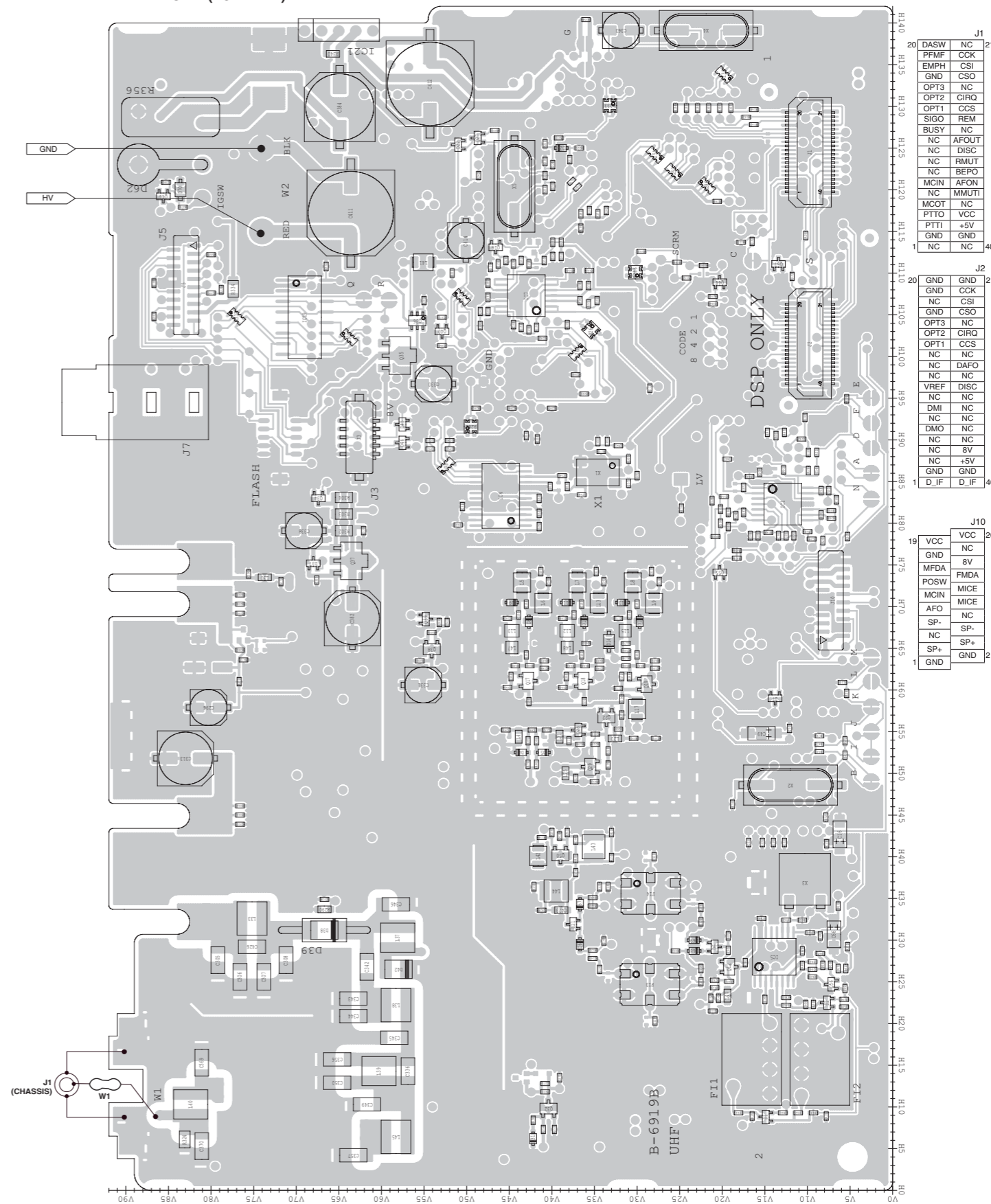
• CONNECT UNIT (TOP VIEW)



• FRONT UNIT (TOP VIEW)



• MAIN-A UNIT (TOP VIEW)

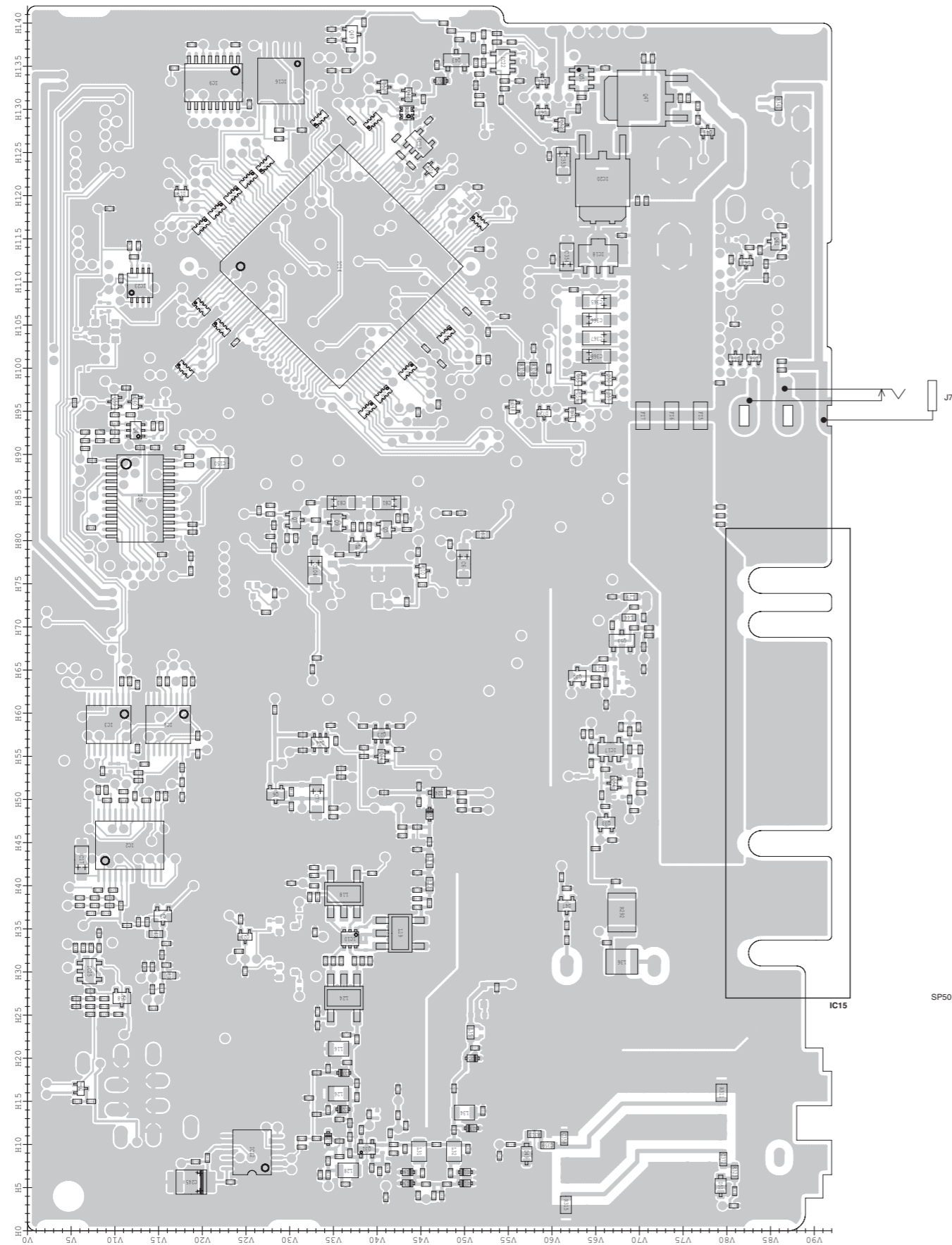


20	DASW	NC	J1	21
	PFMF	CCK		
	EMPH	CSI		
	GND	CSO		
	OPT3	NC		
	OPT2	CIRQ		
	OPT1	CCS		
	SIGO	REM		
	BUSY	NC		
	NC	AFOUT		
	NC	DISC		
	NC	RMUT		
	NC	BEPO		
	MCIN	AFON		
	NC	MMUTI		
	MCOT	NC		
	PTTO	VCC		
	PTTI	+5V		
	GND	GND		
	NC	NC		

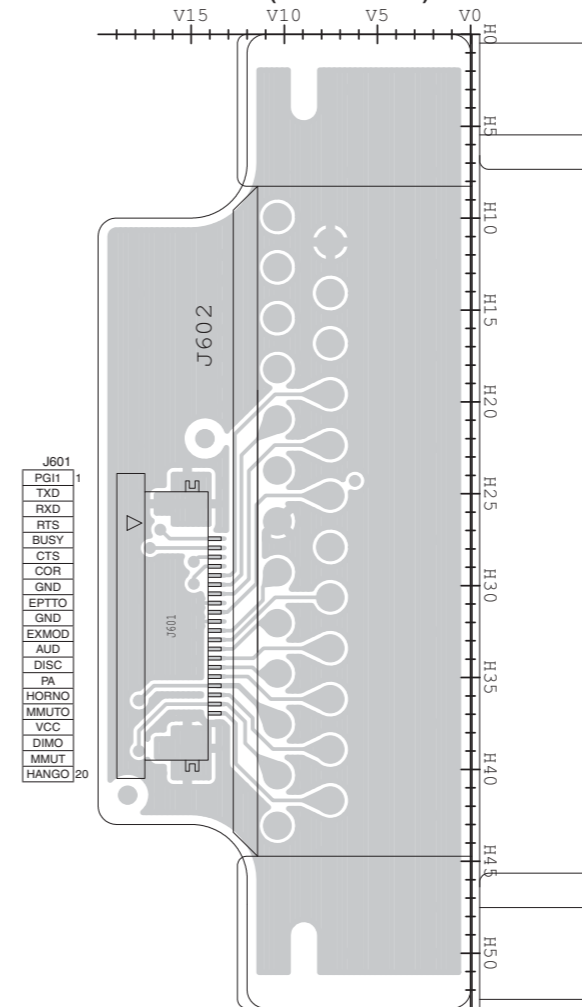
20	GND	GND	J2	21
	GND	CCK		
	NC	CSI		
	GND	CSO		
	OPT3	NC		
	OPT2	CIRQ		
	OPT1	CCS		
	NC	NC		
	NC	DAFO		
	NC	NC		
	VREF	DISC		
	NC	NC		
	DMI	NC		
	DMO	NC		
	NC	NC		
	NC	8V		
	NC	+5V		
	GND	GND		
	D_IF	D_IF		

19	VCC	VCC	J10	20
	GND	NC		
	MFDA	8V		
	POSW	FMDA		
	MCIN	MICE		
	AFO	MICE		
	SP-	NC		
	NC	SP+		
	SP+	GND		
	GND	GND		

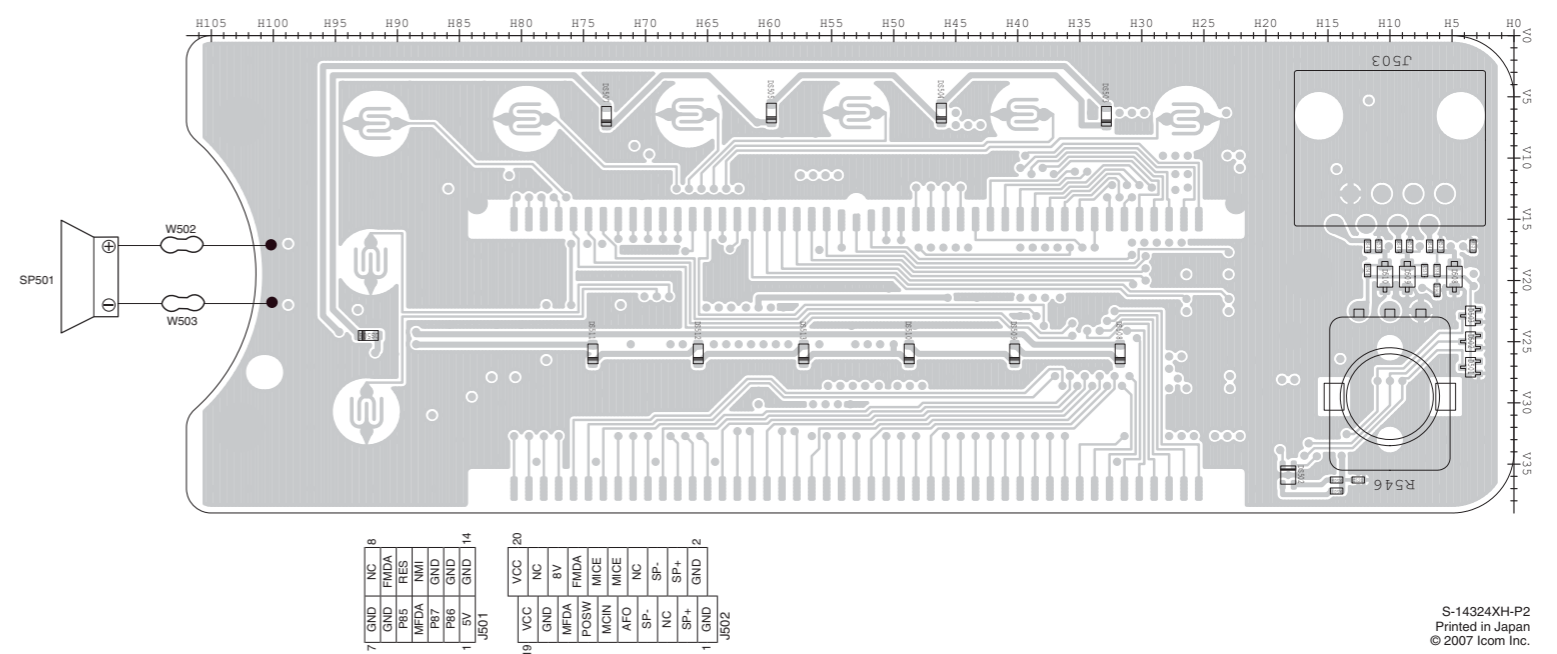
• MAIN-A UNIT (BOTTOM VIEW)



• CONNECT UNIT (BOTTOM VIEW)

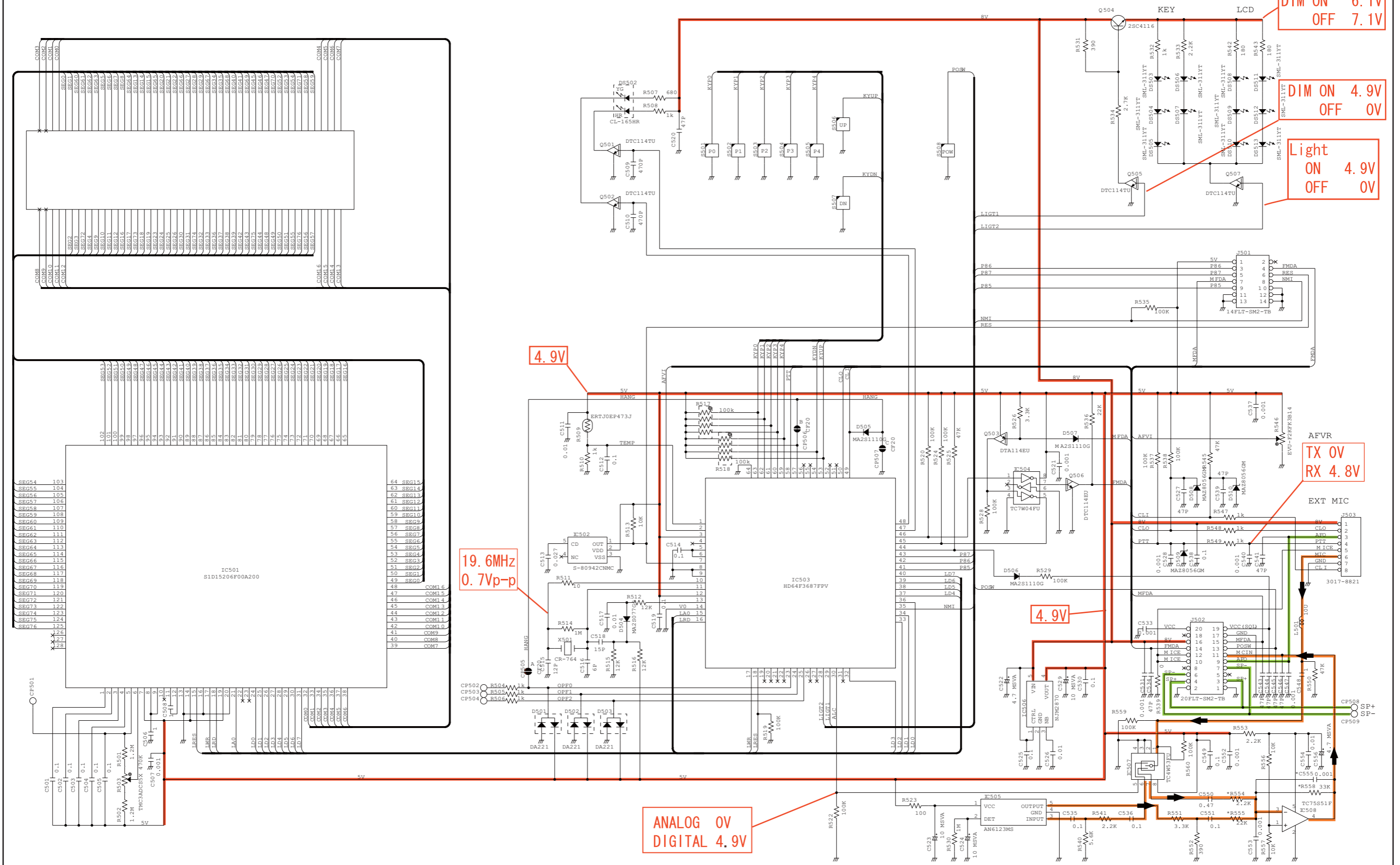


• FRONT UNIT (BOTTOM VIEW)



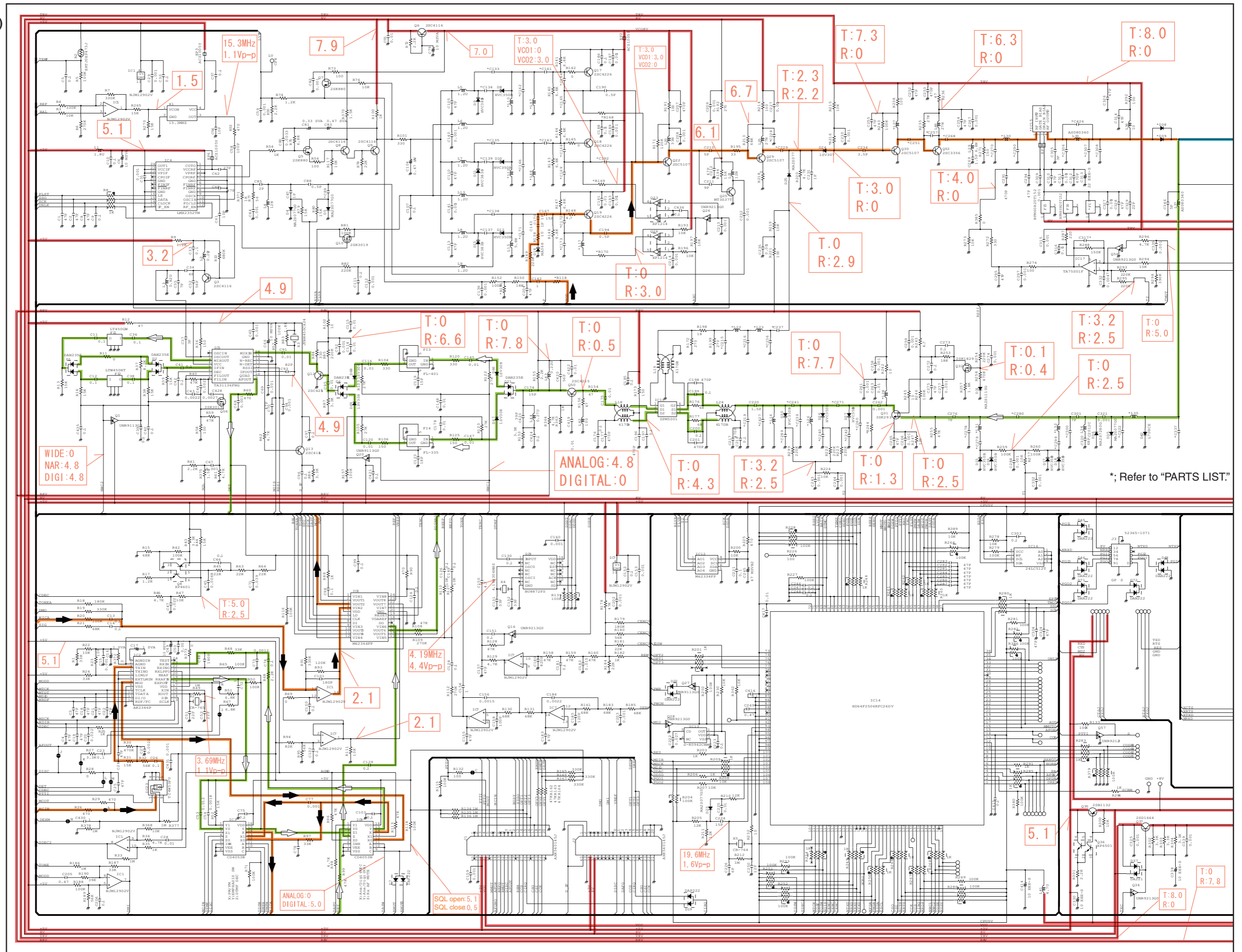
VOLTAGE DIAGRAM

• FRONT UNIT

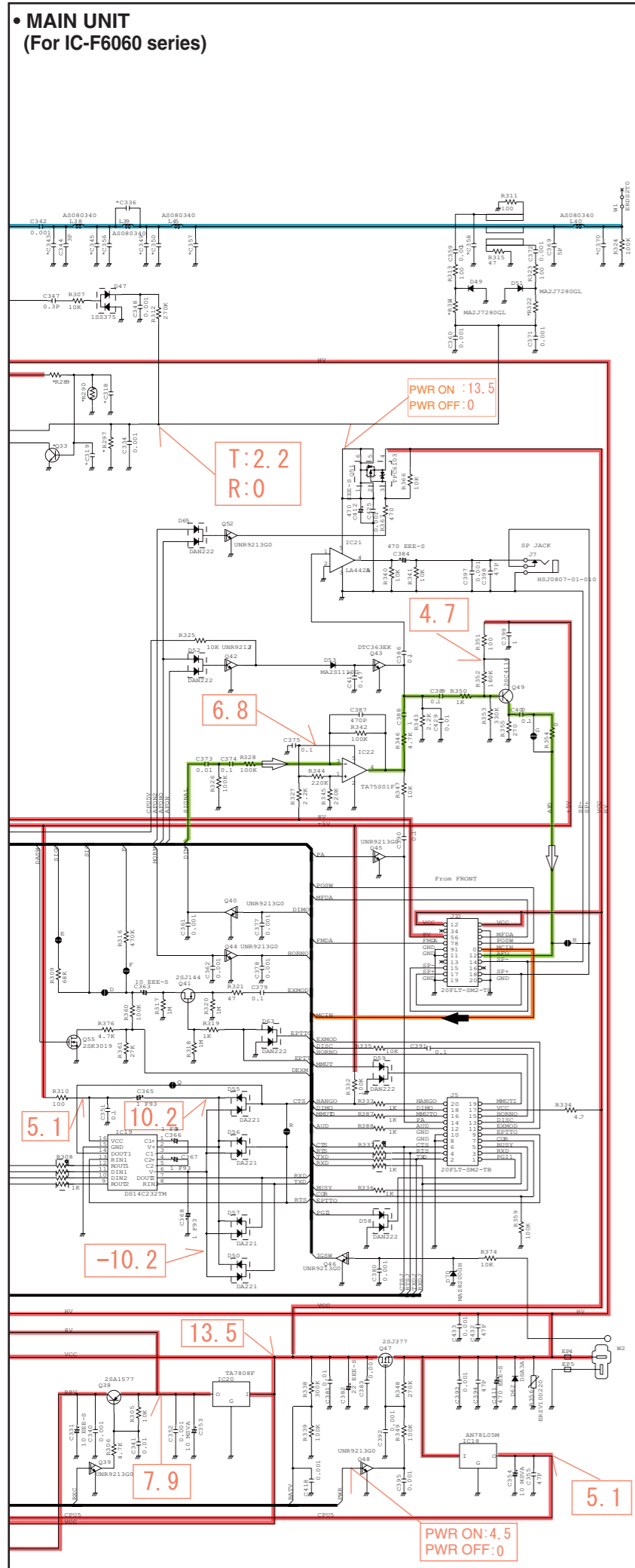


*; Refer to "PARTS LIST"

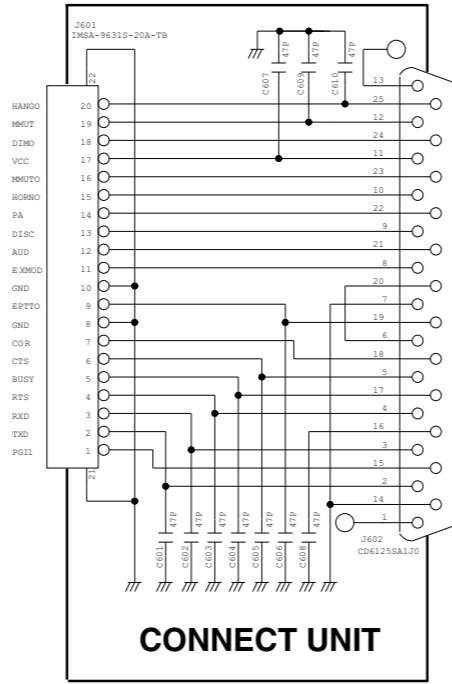
• MAIN UNIT
(For IC-F6060 series)



• MAIN UNIT
(For IC-F6060 series)



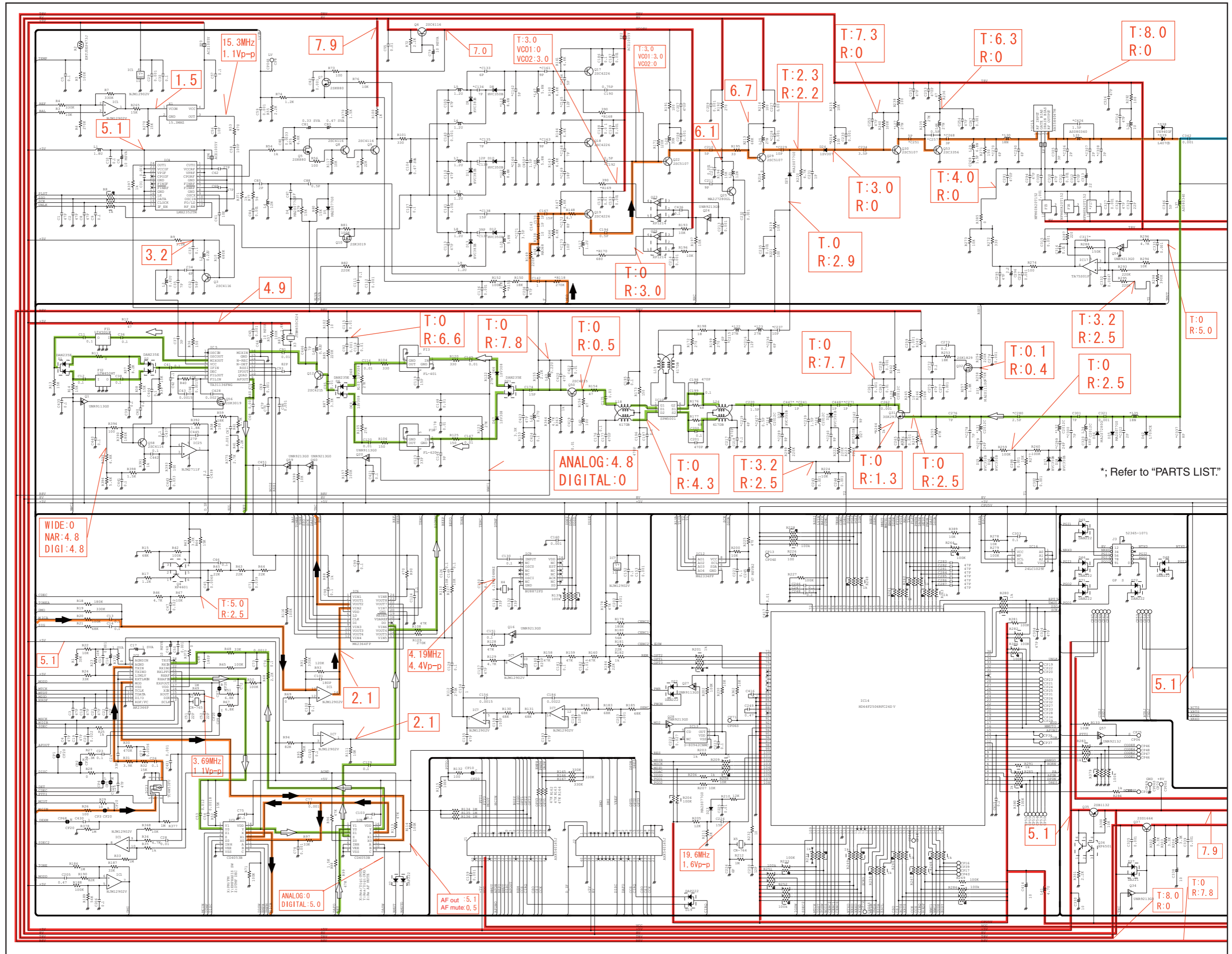
To J5 (MAIN UNIT)



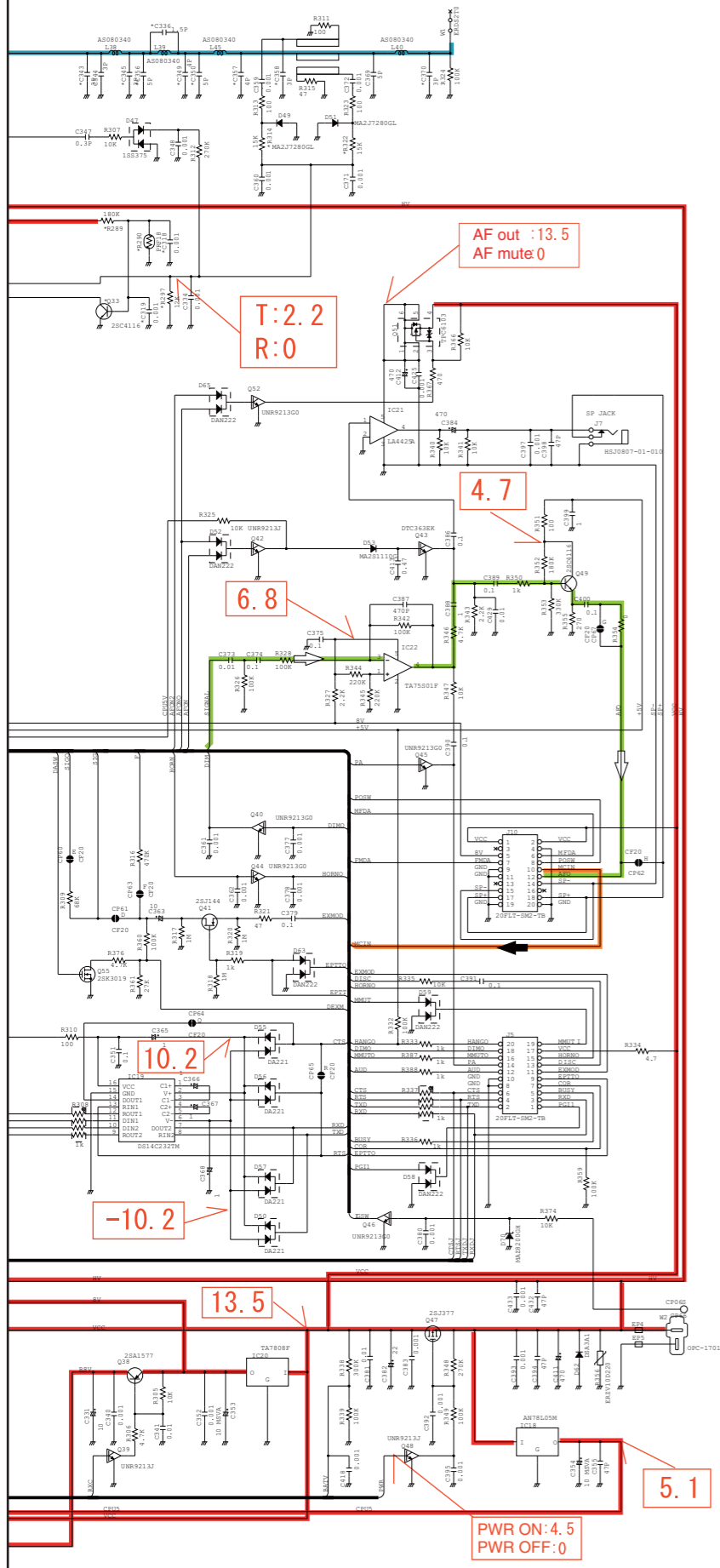
D-SUB 25pin

*; Refer to "PARTS LIST."

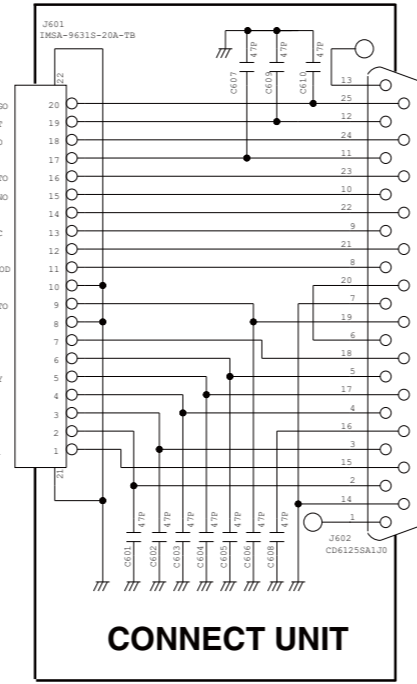
• MAIN-A UNIT
(For IC-F6061D)



**• MAIN-A UNIT
(For IC-F6061D)**



To J5 (MAIN UNIT)



D-SUB 25pin

CONNECT UNIT

*; Refer to "PARTS LIST."

IC-F6061/F6061D/F6062/F6063

CONTENTS

REPLACEMENT PAGES	6-1 to 6-6
PARTS LIST	1
VOLTAGE DIAGRAM	20

MODEL	VERSION	FREQUENCY RANGE	DESCRIPTION	TX POWER
IC-F6061	USA-01	400-470 MHz (Low band)	-	45 W
	USA-02	450-512 MHz (High band)		
	USA-03	400-470 MHz (Low band)	MDC compatible	
	USA-04	450-512 MHz (High band)		
	USA-55	400-470 MHz		
	USA-56	(Low band)		
IC-F6061D	USA-01	400-470 MHz (Low band)	MDC compatible & UT-126H installed	
	USA-02	450-512 MHz (High band)		
	CHN-01	400-470 MHz (Low band)		
IC-F6062	EUR-01	400-470 MHz (Low band)	-	25 W
	EUR-03	400-470 MHz (Low band)	MDC compatible	
IC-F6063	EXP-01	400-470 MHz (Low band)	-	
	EXP-02	450-520 MHz (High band)		
	EXP-03	400-470 MHz (Low band)	MDC compatible	
	EXP-04	450-520 MHz (High band)		

SECTION 6 ADJUSTMENT PROCEDURES

6-1 PREPARATION

When adjusting IC-F6060 series, CS-F6060 CLONING SOFTWARE, CS-F5060 ADJ ADJUSTMENT SOFTWARE (Rev. 1.0 or later), OPC-1122/U/ JIG CABLE and the following test equipments are required.

EQUIPMENT	GRADE AND RANGE	EQUIPMENT	GRADE AND RANGE
DC power supply	Output voltage : 13.6 V DC [USA],[EXP],[CHN] 13.2 V DC [EUR]	Attenuator	Power attenuation : 50 or 60 dB
	Current capacity : More than 20 A		Capacity : 50 W [USA],[CHN] 30 W [EUR],[EXP]
modulation analyzer	Frequency range : DC-600 MHz	External speaker	Input impedance : 4 Ω
	Measuring range : 0 to ±10 kHz		Capacity : 5 W or more
Frequency counter	Frequency range : 0.1-600 MHz	Standard signal generator (SSG)	Frequency range : 0.1-600 MHz
	Frequency accuracy : ±1 ppm or better		Output level : 0.1 μV to 32 mV (-127 to -17 dBm)
RF power meter	Sensitivity : 100 mV or better	Oscilloscope	Frequency rang : DC-20 MHz
	Measuring range : 0.1-50 W [USA],[CHN] 0.1-30 W [EUR],[EXP]		Measuring range : 0.01-20 V
	Frequency range : 100-800 MHz	Digital voltmeter	Input impedance : 50 kΩ
	Impedance : 50 Ω		Measuring range : 0.1-10V
	SWR : Better than 1.2 : 1		

■ SYSTEM REQUIREMENTS (for the ADJUSTMENT SOFTWARE)

- Microsoft® Windows® 98/98SE/Me/2000/XP
- RS-232C serial port (D-sub 9 pin) or USB port

■ ADJUSTMENT SOFTWARE INSTALLATION

- ① Quit all applications when Windows is running.
- ② Insert the CD into the appropriate CD drive.
- ③ Double-click the "Setup.exe" contained in the 'CS-F5060 ADJ' folder in the CD drive.
- ④ The "Welcome to the InstallShield Wizard for CS-F5060 ADJ" will appear. Click [Next>].
- ⑤ The "Choose Destination Location" will appear. Then click [Next>] to install the software to the destination folder. (e.g. C:\Program Files\lcom\CS-F5060 ADJ)
- ⑥ After the installation is completed, the "InstallShield Wizard Complete" will appear. Then click [Finish].
- ⑦ Eject the CD.
- ⑧ Program group 'CS-F5060 ADJ' appears in the 'Programs' folder of the start menu, and 'CS-F5060 ADJ' icon appears on the desk top screen.

■ STARTING SOFTWARE ADJUSTMENT

- ① Connect the transceiver and PC with OPC-1122/U JIG CABLE.
- ② Turn the transceiver power ON.
- ③ Boot up Windows, and click the program group 'CS-F5060 ADJ' in the 'Programs' folder of the [Start] menu, then CS-F5060 ADJ's window appears.
- ④ Click 'Connect' on the CS-F5060 ADJ's window, then the window shows transceiver's condition and adjustment items as below.
- ⑤ Set or modify adjustment data as specified.

Microsoft and Windows are registered trademarks of Microsoft Corporation in the U.S.A. and other countries.

■ BEFORE STARTING SOFTWARE ADJUSTMENT

Clone the adjustment frequencies and settings into the transceiver, and set the configuration using the CS-F6060 CLONING SOFTWARE before starting the software adjustment. Otherwise, the software adjustment can not be started.

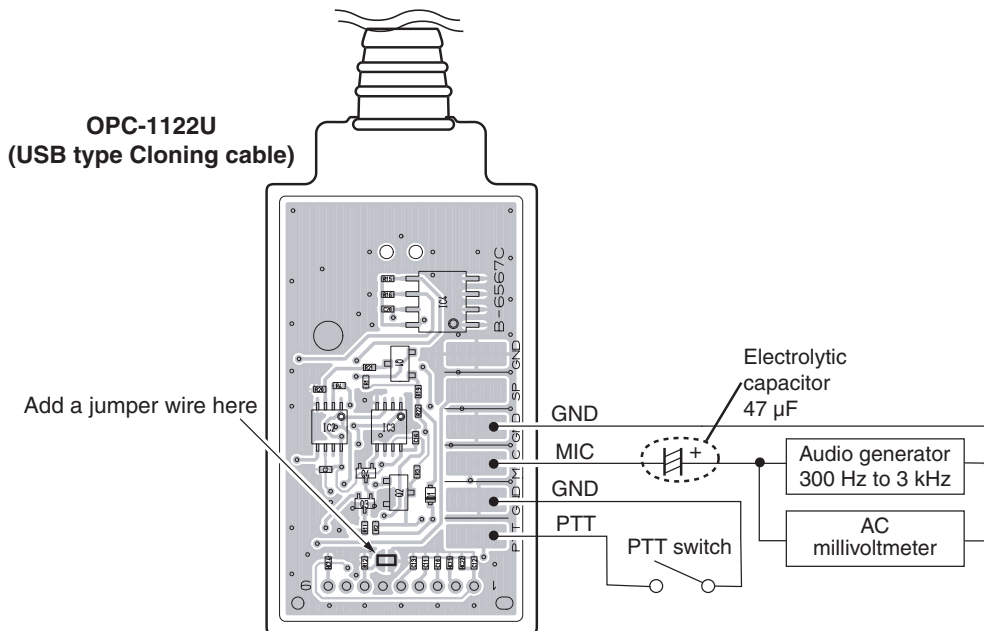
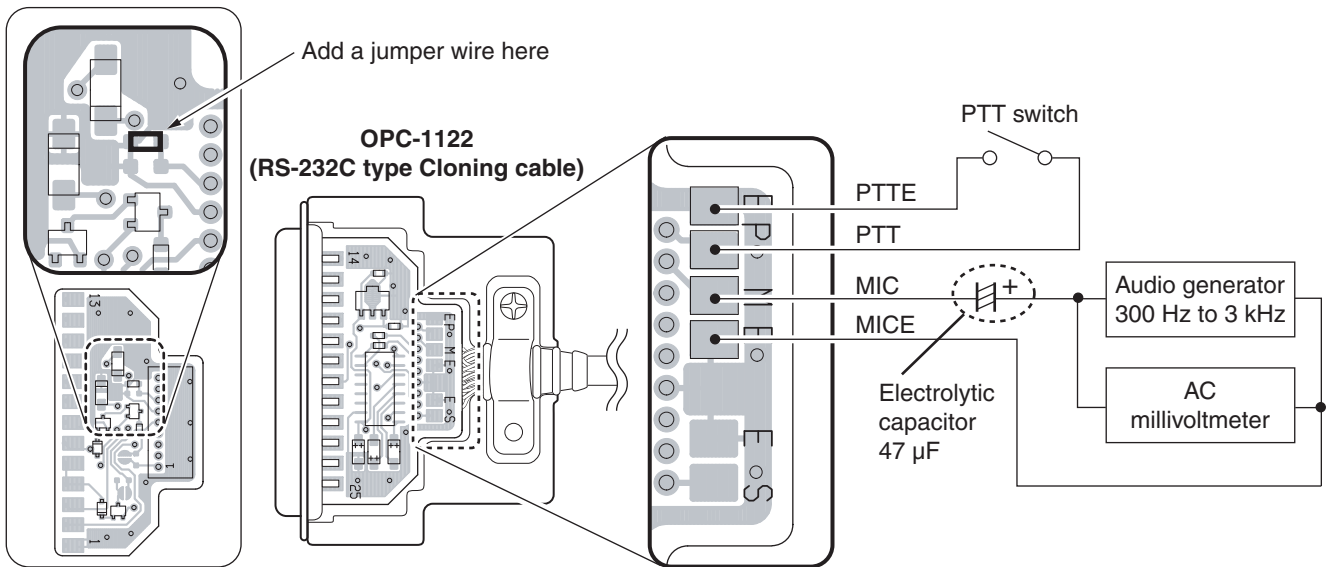
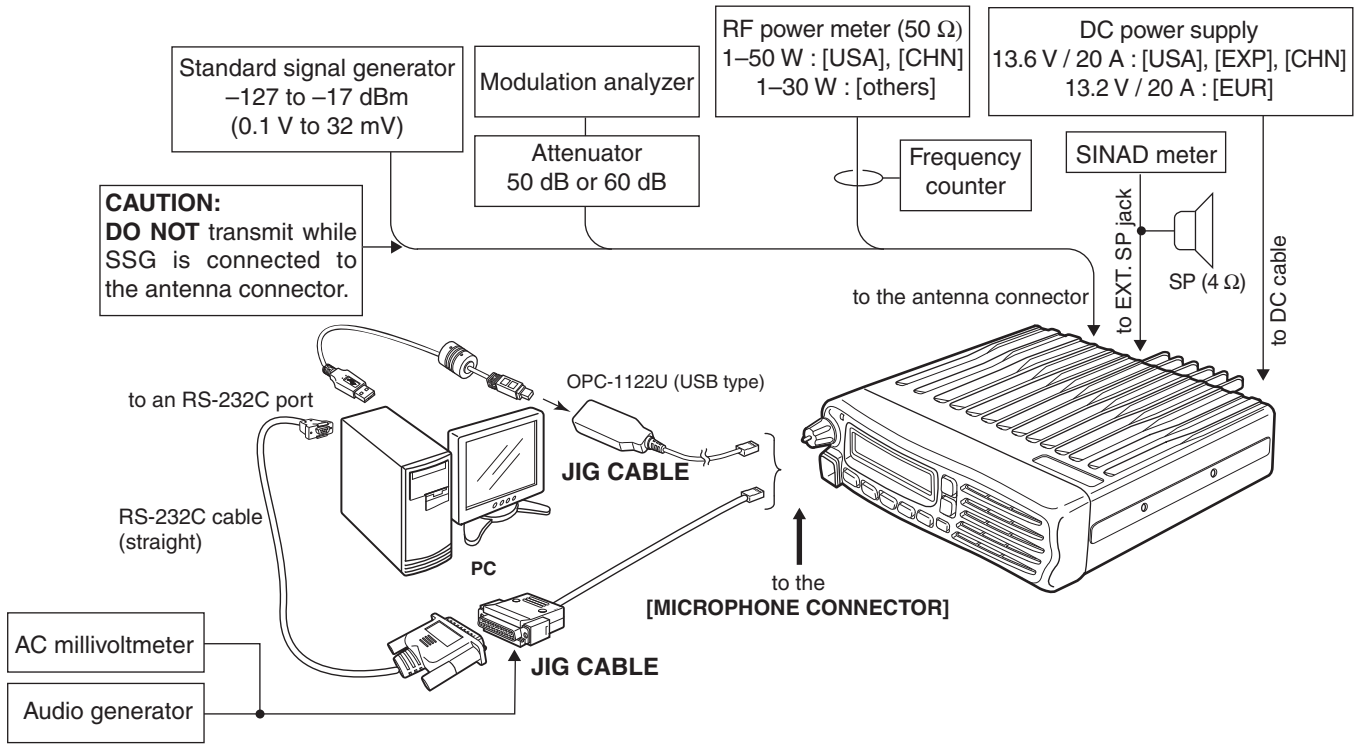
CAUTION!: BACK UP the originally programmed memory data in the transceiver before programming the adjustment frequencies. When program the adjustment frequencies into the transceiver, the transceiver's memory data will be overwritten and lose original memory data at the same time.

• ADJUSTMENT FREQUENCY LIST

CH	FREQUENCY (MHz)		SETTING	CH	FREQUENCY (MHz)		SETTING
	(Low) [‡]	(High) [‡]			(Low) [‡]	(High) [‡]	
1	400.000	450.000	• TX power : Low1 • Mode : Narrow	9	470.000	520.000	• TX power : Low1 • Mode : Wide
2	435.000	485.000	• TX power : Low1 • Mode : Narrow	10	435.000	485.000	• TX power : Low1 • Mode : Middle ([EUR] only)
3	434.950	484.950	• TX power : Low1 • Mode : Narrow	11	400.000	450.000	• TX power : High • Mode : Middle ([EUR] only)
4	470.000	520.000	• TX power : Low1 • Mode : Narrow	12	470.000	520.000	• TX power : Low1 • Mode : Middle ([EUR] only)
5	435.000	485.000	• TX power : High • Mode : Narrow	13	435.000	485.000	• TX power : Low1 • Mode : Digital
6	435.000	485.000	• TX power : Low2 • Mode : Narrow	14	400.000	450.000	• TX power : Low1 • Mode : Digital
7	435.000	485.000	• TX power : Low1 • Mode : Wide	15	470.000	520.000	• TX power : Low1 • Mode : Digital
8	400.000	450.000	• TX power : Low1 • Mode : Wide	16	435.000	485.000	• TX power : Low1 • Mode : Wide • CTCSS : 151.4 Hz

[‡]; (Low)=[USA-01], [USA-03], [USA-55], [USA-56], [EXP-01], [EXP-03], [EUR-01], [EUR-03] (High)=[USA-02], [USA-04], [EXP-02], [EXP04]

• CONNECTION



• ADJUSTMENT SOFTWARE WINDOW

Adjust Utility

Setting

CH No.	1	RX=0.00000, TX=0.00000
		RF Power=High, Mode=Wide
		CH Type=Analog

Adjust

Transmit output power	Power (Hi)	0	[_____]
	Power (L2)	0	[_____]
	Power (L1)	0	[_____]
Modulation balance	BAL (Wide)	0	[_____]
	BAL (Mid)	0	[_____]
	BAL (Narrow)	0	[_____]
	BAL (Digital)	0	[_____]
FM deviation	MOD (Wide)	0	[_____]
	MOD (Mid)	0	[_____]
	MOD (Narrow)	0	[_____]
	MOD (Digital)	0	[_____]
CTCSS/DTCS deviation	CTCSS/DTCS	0	[_____]
Squelch level	SQL	0	[_____]
Reference frequency	REF	0	[_____]
RX sensitivity (Auto.)	BPF C ALL		[Enter] to Sweep
RX sensitivity (Manu.)	BPF T1 C	0	[_____] [Enter] to Sweep
	BPF T2 C	0	[_____] [Enter] to Sweep
	BPF L ALL		[Enter] to Sweep
	BPF T1 L	0	[_____] [Enter] to Sweep
	BPF T2 L	0	[_____] [Enter] to Sweep
	BPF H ALL		[Enter] to Sweep
	BPF T1 H	0	[_____] [Enter] to Sweep
	BPF T2 H	0	[_____] [Enter] to Sweep
PLL lock Voltage (Adjustment)	RX LVA1	0	[_____] [Enter] to Sweep
	RX LVA2	0	[_____] [Enter] to Sweep
	TX LVA	0	[_____] [Enter] to Sweep
PLL lock Voltage (Preset)	LV (RX1)	0	0.00V
	LV (RX2)	0	0.00V
	LV (TX)	0	0.00V
S-meter	RSSI	0	[Enter] to Capture
FM deviation (Narrow)	MOD N C	0	[Enter] to Capture
	MOD N L	0	[Enter] to Capture
	MOD N H	0	[Enter] to Capture
FM deviation (Middle)	MOD M C	0	[Enter] to Capture
	MOD M L	0	[Enter] to Capture
	MOD M H	0	[Enter] to Capture
FM deviation (Wide)	MOD W C	0	[Enter] to Capture
	MOD W L	0	[Enter] to Capture
	MOD W H	0	[Enter] to Capture
Digital deviation	MOD D C	0	[Enter] to Capture
	MOD D L	0	[Enter] to Capture
	MOD D H	0	[Enter] to Capture
Digital mode preset	Digital Mode	1	
2/5tone, DTMF	S.Tone	0	[_____]

*; **DO NOT** put the cursor on these items and push the [ENTER] key. Otherwise, some adjustment items will not be adjusted properly.

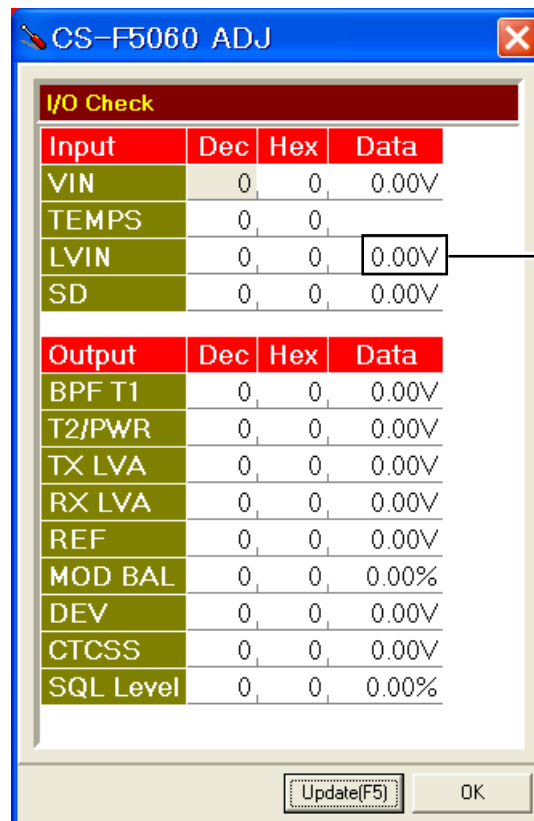
NOTE: The above screen is an example only. Each transceiver has its own specific values for each setting.

6-2 FREQUENCY ADJUSTMENT

Select an adjustment item using [↑]/[↓] keys, then set to the specified value using [←-]/[→] keys on the connected PC's keyboard.

ADJUSTMENT	ADJUSTMENT CONDITION	UNIT	OPERATION	VALUE	
PLL LOCK VOLTAGE [RX LVA1]	1	Set the preset value of [LV (RX1)] to "36 [0.70 V] (Low)"/"31 [0.60 V] (High)" and [LV RX2] to "31 [0.60 V]", and [LV TX] to "39 [0.76 V]" on the PC screen.			
	2	<ul style="list-style-type: none"> Channel : CH 1 Preset : 36 [0.70 V] (Low) 31 [0.60 V] (High) Receiving 	PC screen	Click [Reload (F5)] button, then check the "LVIN" item on the CS-F5060 ADJ's screen as below.	0.70 V (Low) 0.60 V (High)
	[RX LVA2]	<ul style="list-style-type: none"> Channel : CH 2 Preset : 31 [0.60 V] Receiving 			0.60 V
	[TX LVA]	<ul style="list-style-type: none"> Channel : CH 1 Preset : 39 [0.76 V] Transmitting 			0.76 V
CONVENIENT: The "PLL LOCK VOLTAGE" can be adjusted automatically. 1: Set the Lock voltage preset ([LV RX1], [LV RX2], [LV TX]). 2: Push the [ENTER] key on the connected PC's keyboard.					
PLL LOCK VOLATGE (Verify)	1	<ul style="list-style-type: none"> Channel : CH 3 Receiving 	PC screen	Click [Reload (F5)] button, then check the "LVIN" item on the CS-F5060 ADJ's screen.	3.2-4.2 V (Verify) (Low)
	2	<ul style="list-style-type: none"> Channel : CH 4 Receiving 			3.0-4.2 V (Verify) (High)
	3	<ul style="list-style-type: none"> Channel : CH 4 Transmitting 			3.2-4.4 V (Verify) (Low) 3.4-4.4 V (Verify) (High)
REFERENCE FREQUENCY [REF]	1	<ul style="list-style-type: none"> Channel : CH 9 Connect an RF power meter to the antenna connector. Transmitting 	Top panel	Loosely couple a frequency counter to the antenna connector.	470.000 MHz (Low) [‡] 520.000 MHz (High) [‡]

[‡]; (Low)=[USA-01], [USA-03], [EXP-01], [EXP-03], [EUR-01], [EUR-03] (High)=[USA-02], [USA-04], [EXP-02], [EXP04]

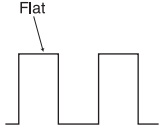


PLL LOCK VOLTAGE will be appeared here

NOTE: The above screen is an example only.
Each item's voltage will appear when pushing [Update] button.

6-3 TRANSMIT ADJUSTMENT

Select an adjustment item using [↑] / [↓] keys, then set to the specified value using [←] / [→] keys on the connected PC's keyboard.

ADJUSTMENT	ADJUSTMENT CONDITION	UNIT	OPERATION	VALUE
OUTPUT POWER [Power (Hi)]	1 • Channel : CH 5 • Transmitting	Rear panel	Connect an RF power meter to the antenna connector.	45 W [USA] and [CHN] 25 W [others]
[Power (L2)]	2 • Channel : CH 6 • Transmitting			25 W [USA] and [CHN] 10 W [others]
[Power (L1)]	3 • Channel : CH 2 • Transmitting			4.5 W [USA] and [CHN] 2.5 W [others]
MODULATION BALANCE [BAL]	1 • [MOD N] : 80 2 • Channel : CH 2 • No audio signals applied to the JIG cable. • Set a modulation analyzer same as; HPF : OFF LPF : 20 kHz De-emphasis : OFF Detector : (P-P)/2 • Push [P0] while transmitting	Rear panel	Connect the modulation analyzer with an oscilloscope to the antenna connector through an attenuator.	Set to square wave 
FM DEVIATION (NARROW) [MOD N C]	1 • Channel : CH 2 • Connect an audio generator to the JIG cable and set as; Frequency : 1.0 kHz Level : 40 mV rms • Set the modulation analyzer to the same-condition as "MODULATION BALANCE." • Transmitting			Rear panel
(NARROW) [MOD N L]	2 • Channel : CH 1 • Transmitting			
(NARROW) [MOD N H]	3 • Channel : CH 4 • Transmitting			
(WIDE) [MOD W C]	4 • Channel : CH 7 • Transmitting	±4.05 to ±4.15 kHz		
(WIDE) [MOD W L]	5 • Channel : CH 8 • Transmitting			
(WIDE) [MOD W H]	6 • Channel : CH 9 • Transmitting			
(MIDDLE)* [MOD M C]	7 • Channel : CH 10 • Transmitting	±3.15 to ±3.25 kHz		
(MIDDLE)* [MOD M L]	8 • Channel : CH 11 • Transmitting			
(MIDDLE)* [MOD M H]	9 • Channel : CH 12 • Transmitting			
DIGITAL DAVIATION [MOD D C]	1 Set the [Digital Mode] to "7." 2 • Channel : CH 13 • Attach the UT-119H or UT-126H to J2. (See page 4-1 for installation.)	Rear panel	Connect the modulation analyzer to the antenna connector through an attenuator.	±1.35 to ±1.39 kHz
[MOD D L]	3 • Channel : CH 14			
[MOD D H]	4 • Channel : CH 15			
CTCSS/DTCS DEVIATION [CTCS/DTCS]	1 • Channel : CH 16 • No audio signals applied to the JIG cable. • Set the modulation analyzer to the same-condition as "MODULATION BALANCE." • Transmitting	Rear panel	Connect a modulation analyzer to the antenna connector through an attenuator.	±0.68 to ±0.72 kHz
2TONE, 5TONE, DTMF [S.Tone]	1 • Channel : CH 2 • Push [P3] while transmitting	Rear panel	Connect a modulation analyzer to the antenna connector through an attenuator.	±1.50 kHz

*; [EUR] only.

‡; (Low)=[USA-01], [USA-03], [EXP-01], [EXP-03], [EUR-01], [EUR-03] (High)=[USA-02], [USA-04], [EXP-02], [EXP04]

6-4 RECEIVE ADJUSTMENT

Select an adjustment item using [↑] / [↓] keys, then set to the specified value using [←] / [→] keys on the connected PC's keyboard.

ADJUSTMENT	ADJUSTMENT CONDITION	UNIT	LOCATION	VALUE	
RECEIVE SENSITIVITY [BPF (T1)] [BPF (T2)]	NOTE: "RECEIVE SENSITIVITY" must be adjusted before "S-METER." Otherwise, "S-METER" will not be adjusted properly.				
	1	<ul style="list-style-type: none"> Channel : CH 8 Connect the SSG to the antenna connector and set as; <ul style="list-style-type: none"> Frequency : 400.00 MHz (Low)[†] 450.00 MHz (High)[‡] Level : +20 dBμ[†] (-87 dBm) Modulation : 1 kHz Deviation : ±3.5 kHz Receiving 	[MIC/SP] jack	Connect the SINAD meter with an 4 Ω load to the JIG cable.	Minimum distortion level
	CONVENIENT: The "RECEIVE SENSITIVITY" can be adjusted automatically. 1: Put the cursor on "BPF C ALL" and push [ENTER] key. 2: The connected PC tunes BPF's to peak levels automatically.				
S-METER (S3 level) [RSSI S3 level]	1	<ul style="list-style-type: none"> Channel : CH 8 Connect the SSG to the antenna connector and set as; <ul style="list-style-type: none"> Frequency : 400.00 MHz (Low)[†] 450.00 MHz (High)[‡] Level : +23 dBμ[†] (-84 dBm) Modulation : 1 kHz Deviation : ±3.5 kHz Receiving 	Push the [ENTER] key on the connected PC's keyboard to set "S3" level.		
[RSSI S1 level] (S1 level)	2	<ul style="list-style-type: none"> Set the SSG as; <ul style="list-style-type: none"> Level : -7 dBμ[†] (-114 dBm) Receiving 	Push the [ENTER] key again to set "S1" level.		
SQUELCH [SQL]	1	<ul style="list-style-type: none"> Channel : CH 3 Set the Squelch Level "2." Close the squelch by adjusting the value of [SQL] item on the CS-F6060 ADJ's screen. Connect the SSG to the antenna connector and set as; <ul style="list-style-type: none"> Frequency : 400.00 MHz (Low)[†] 450.00 MHz (High)[‡] Level : -14 dBμ[†] (-121 dBm) Modulation : 1 kHz Deviation : ±3.5 kHz Receiving 	External speaker	Connect an 4 Ω speaker to the JIG cable.	Close the squelch by increase the value of [SQL]. Set the [SQL] to the value that the audio signals just appears.

[†]; The output level of the standard signal generator (SSG) is indicated as the SSG's open circuit.

[‡]; (Low)=[USA-01], [USA-03], [EXP-01], [EXP-03], [EUR-01], [EUR-03] (High)=[USA-02], [USA-04], [EXP-02], [EXP04]

PARTS LIST

[MAIN UNIT] (For IC-F6060 series)

REF NO.	ORDER NO.	DESCRIPTION	M.	H/V LOCATION
IC1	1110005340	S.IC NJM12902V-TE1-#ZZZB	T	82.3/12.9
IC2	1110006221	S.IC AK2346P-E2/P	B	44.7/11.7
IC3	1140013200	S.IC CD4053BPWR	B	58.7/9.3
IC4	1130010100	S.IC LMX2352T/MX/NOPB	T	83.3/46
IC5	1110003491	S.IC TA31136FNG(D,EL)	T	28/13.9
IC6	1190001350	S.IC M62364FP 600D	B	84.9/12.9
IC7	1110005340	S.IC NJM12902V-TE1-#ZZZB	T	107.3/43
IC8	1140013200	S.IC CD4053BPWR	B	58.7/16.1
IC9	1130012960	S.IC BU8872FS-E2	B	133.1/21.3
IC10	1190002051	S.IC SPM5001-TL-E	B	33.8/36.9
IC12	1190001340	S.IC M62334FP 600C	B	9.1/25.7
IC13	1110005771	S.IC S-80942CNMC-G9CT2G	B	126/44.8
IC14	1140014550	S.IC HD64F2506RFC26DV(EMPTY)	B	111.8/35.7
IC15	1150002211	IC RA55H4047M-121 [USA-01]		
	1150002092	IC RA30H4047M-121 [EXP-01]		
	1150002092	IC RA30H4047M-121 [EUR-01]		
	1150002221	IC RA55H4452M-121 [USA-02]		
	1150002032	IC RA30H4452M-121 [EXP-02]		
IC16	1140012950	S.IC 24LC512T-/SM	B	133.3/29
IC17	1110002751	S.IC TA75S01F(TE85R,F)	B	55.8/66.7
IC18	1180000970	S.IC AN78L05M-(E1)	B	113/65.3
IC19	1120002510	S.IC DS14C232TM S	T	104.7/69
IC20	1180001251	S.IC TA7808F(TE16L,Q)	B	121.5/65.8
IC21	1110003091	S.IC LA4425A-E		
IC22	1110002751	S.IC TA75S01F(TE85R,F)	B	135.5/54.4
IC23	1130006221	S.IC TC4W53FU(TE12L,F)	B	109.6/12.9
Q1	1590003230	S.TRA UNR9113J-(TX)	B	16.5/6.1
Q3	1530002851	S.TRA 2SC4116-BL(TE85R,F)	B	36.5/15.5
Q4	1590001650	S.TRA XP4601(TX)	B	92.8/12.4
Q5	1560000541	S.FET 2SK880-Y(T5RICOM,F)	B	81.3/41
Q6	1530002851	S.TRA 2SC4116-BL(TE85R,F)	B	50.6/28.4
Q7	1560000541	S.FET 2SK880-Y(T5RICOM,F)	B	82.4/30.6
Q8	1530002851	S.TRA 2SC4116-BL(TE85R,F)	B	79.3/37.8
Q9	1530002851	S.TRA 2SC4116-BL(TE85R,F)	B	82.1/35.4
Q10	1560001360	S.FET 2SK3019 TL	B	76.5/45.2
Q12	1530002601	S.TRA 2SC4215-O(TE85R,F)	T	26.8/19.2
Q13	1530002851	S.TRA 2SC4116-BL(TE85R,F)	B	31.8/9.9
Q16	1590003290	S.TRA UNR9213J-(TX)	T	113.1/46.6
Q17	1530002920	S.TRA 2SC4226-T1 R25	T	60.7/41.9
Q18	1530002920	S.TRA 2SC4226-T1 R25	T	60.7/35.4
Q19	1530002920	S.TRA 2SC4226-T1 R25	T	60.7/28.9
Q20	1590003230	S.TRA UNR9113J-(TX)	B	34.1/24.9
Q22	1530003311	S.TRA 2SC5107-O(TE85R,F)	T	56.7/33.6
Q23	1590001400	S.TRA XP1214(TX)	B	57.6/40.5
Q24	1590003290	S.TRA UNR9213J-(TX)	B	55/40.5
Q25	1530003980	S.TRA 2SC5700WB-TR-E	T	55.2/36.9
Q26	1590001400	S.TRA XP1214(TX)	B	56.6/33.5
Q27	1590003230	S.TRA UNR9113J-(TX)	T	126.2/48.7
Q28	1590003290	S.TRA UNR9213J-(TX)	B	123/46.1
Q29	1530003311	S.TRA 2SC5107-O(TE85R,F)	T	50.8/35.5
Q30	1530003311	S.TRA 2SC5107-O(TE85R,F)	B	64.3/62.9
Q31	1580000731	S.FET 3SK293(TE85L,F)	B	9.5/38.8
Q32	1560000841	S.FET 2SK1829(TE85R,F)	T	9.8/40.4
Q33	1530002851	S.TRA 2SC4116-BL(TE85R,F) [USA-01]		
	1530002851	S.TRA 2SC4116-BL(TE85R,F) [USA-02]		
Q34	1590003290	S.TRA UNR9213J-(TX)	T	83/67.4
Q35	1520000460	S.TRA 2SB1132 T100 R	T	100.1/57.9
Q36	1590001190	S.TRA XP6501-(TX).AB	T	104.3/55.8
Q37	1540000550	S.TRA 2SD1664 T100Q	T	75.5/63.6
Q38	1510000920	S.TRA 2SA1577 T106 Q	T	64.9/54.1
Q39	1590003290	S.TRA UNR9213J-(TX)	T	68.5/54.8
Q40	1590003290	S.TRA UNR9213J-(TX)	T	103/52.7
Q41	1590001451	S.FET 2SJ144-GR (TE85R,F)	B	114.7/85.7
Q42	1590003290	S.TRA UNR9213J-(TX)	B	131.7/43.6
Q43	1590000990	S.TRA DTC363EK T146	B	135.7/49
Q44	1590003290	S.TRA UNR9213J-(TX)	T	108.9/20.3
Q45	1590003290	S.TRA UNR9213J-(TX)	B	133.3/58.9
Q46	1590003290	S.TRA UNR9213J-(TX)	T	119.2/85.6
Q47	1550000100	S.FET 2SJ377 (TE16L1,NQ)	B	131.3/71.5
Q48	1590003290	S.TRA UNR9213J-(TX)	B	124.9/77.8
Q49	1530002851	S.TRA 2SC4116-BL(TE85R,F)	B	138.7/37.1
Q50	1530002601	S.TRA 2SC4215-O(TE85R,F)	T	40.2/39
Q51	1590003321	S.FET TPC6103(TE85L,F)	B	133.6/63.4
Q52	1590003290	S.TRA UNR9213J-(TX)	B	128.2/61.1
Q53	1530000372	S.TRA 2SC3356-T1B R (R24)	B	68.4/68
Q54	1590003290	S.TRA UNR9213J-(TX)	B	51.9/67.1
Q55	1560001360	S.FET 2SK3019 TL	T	74.1/20.3
Q56	1560001360	S.FET 2SK3019 TL	T	24.6/8
Q57	1590003290	S.TRA UNR9213J-(TX)	T	111.1/13.4
D1	1750001070	S.DIO DAN235ETL	T	8.8/14.9
D2	1750001070	S.DIO DAN235ETL	T	22.5/8.5
D4	1790001260	S.DIO MA2S077-(TX)	T	52.5/43.6
D5	1790001260	S.DIO MA2S077-(TX)	T	52.5/41
D6	1750001070	S.DIO DAN235ETL	T	29.2/20.9
D7	1160000140	S.DIO DAP222 TL	T	59/13.8
D8	1750000711	S.VAR HVC350BTRF-E	T	68.2/42.7
D9	1750001150	S.VAR HVC383BTRF-E	T	70.5/44.7
D10	1750000711	S.VAR HVC350BTRF-E	T	68.2/36.2
D11	1750001150	S.VAR HVC383BTRF-E	T	70.5/38.2
D12	1750000711	S.VAR HVC350BTRF-E	T	68.2/29.7
D13	1750001150	S.VAR HVC383BTRF-E	T	70.5/31.7
D14	1720000570	S.VAR MA368(TX)	T	65.8/33.3
D15	1750000711	S.VAR HVC350BTRF-E	B	5.5/43.5
D16	1750000711	S.VAR HVC350BTRF-E	B	6.8/43.5

[MAIN UNIT] (For IC-F6060 series)

REF NO.	ORDER NO.	DESCRIPTION	M.	H/V LOCATION
D17	1750000711	S.VAR HVC350BTRF-E	B	6.8/50.1
D18	1750000711	S.VAR HVC350BTRF-E	B	5.5/50.1
D19	1160000140	S.DIO DAP222 TL	B	120.3/17.6
D21	1750001070	S.DIO DAN235ETL	T	31.9/37.5
D22	1750000520	S.DIO DAN222TL	T	125.4/51
D23	1790001260	S.DIO MA2S077-(TX)	T	125/38.9
D24	1750000581	S.DIO 1SV307(TPH3,F)	B	50.8/47.1
D25	1790001260	S.DIO MA2S077-(TX)	B	48.3/46
D26	1750000711	S.VAR HVC350BTRF-E	B	14.1/36.1
D27	1750000711	S.VAR HVC350BTRF-E	B	10.7/36.1
D30	1750000711	S.VAR HVC350BTRF-E	B	18.3/36.2
D31	1790001250	S.DIO MA2S111-(TX)	T	6.2/42.2
D35	1790001260	S.DIO MA2S077-(TX)	B	20/50.9
D36	1790001240	S.DIO MA2S728-(TX)	B	11.9/50.8
D37	1750000370	S.DIO DA221 TL	T	75.2/68
D38	1750000511	S.DIO UX9401F-STD/TR [EXP-01]	T	31.2/66.7
	1750000511	S.DIO UX9401F-STD/TR [EUR-01]		
	1750000511	S.DIO UX9401F-STD/TR [EXP-02]		
D39	1710001061	DIO L407CDB [USA-01]		
	1710001061	DIO L407CDB [USA-02]		
D42	1750001360	S.DIO L709CER (9401)	T	26.5/58
D45	1750000520	S.DIO DAN222TL	T	91.8/57.5
D46	1750000520	S.DIO DAN222TL	T	89.6/57.5
D47	1790001211	S.DIO 1SS375-TL-E	B	37.7/61.7
D48	1750000520	S.DIO DAN222TL	B	95.5/55.5
D49	1790000660	S.DIO MA728(TX)	B	8.9/57.1
D50	1750000370	S.DIO DA221 TL	B	98.8/66.5
D51	1790000660	S.DIO MA728(TX)	B	5.2/79.3
D52	1750000520	S.DIO DAN222TL	B	132.6/40.8
D53	1790001250	S.DIO MA2S111-(TX)	B	133.3/47.3
D55	1750000370	S.DIO DA221 TL	B	98.8/63
D56	1750000370	S.DIO DA221 TL	B	96.7/63
D57	1750000370	S.DIO DA221 TL	B	96.7/66.5
D58	1750000520	S.DIO DAN222TL	B	101.2/83.1
D59	1750000520	S.DIO DAN222TL	B	101.2/81
D62	1790000700	DIO DSA3A1		
D63	1750000520	S.DIO DAN222TL	B	112.3/82.2
D65	1750000520	S.DIO DAN222TL	B	129.7/58.9
D66	1790001621	S.DIO 1SV308(TPL3,F)	T	29.5/36.7
D67	1790001621	S.DIO 1SV308(TPL3,F)	T	34.3/36.7
D68	1790001621	S.DIO 1SV308(TPL3,F)	T	28.7/23.3
D69	1790001621	S.DIO 1SV308(TPL3,F)	T	30/23.3
D70	1730002410	S.ZEN MA8200-H(TX)	T	120/83.6
D71	1750000520	S.DIO DAN222TL	B	94.6/62.3
D72	1750000520	S.DIO DAN222TL	B	94.8/59.1
F11	2020002500	CER LT450GW <JJE>		
F12	2020002510	CER LTW450HT <LJE>		
F13	2030000050	S.MON DSF753SBF 46.35 MHz(FL-401)	T	24.7/28.5
F14	2030000150	S.MON DSF753SB 46.350 MHz(FL-335)	T	35.6/28.4
F15	20400001440	S.LC NFE31PT152Z1E9L (NFM60R20T152)	B	94.5/77
F16	20400001440	S.LC NFE31PT152Z1E9L (NFM60R20T152)	B	94.5/73.7
F17	20400001440	S.LC NFE31PT152Z1E9L (NFM60R20T152) [USA-01]	B	94.5/70.4
	20400001440	S.LC NFE31PT152Z1E9L (NFM60R20T152) [USA-02]		
X1	6050012380	S.XTA CR-826 DSA535SD 15.3 MHz	T	86.1/34.6
X2	6050011730	S.XTA CR-765 SMD-49TA 3.6864 MHz	T	48.6/12
X3	6070000300	S.DIS JTBM450CX24 <LJE>	T	37.1/10.3
X4	6050012320	S.XTA CR-818 SMD-49 4.194304 MHz	T	139.1/21.9
X5	6050011720	S.XTA CR-764 SMD-49TB 19.6608 MHz	T	120.4/44.4
L1	6200004660	S.COI MLF1608A 1R8K-T	B	80.7/52.1
L2	6200003540	S.COI MLF1608D R22K-T	B	34.4/14.7
L3	6200004480	S.COI MLF1608D R82K-T	B	29.6/16.2
L4	6200005671	S.COI ELJRE 12NGFA	T	54.4/43.9
L5	6200004741	S.COI NLV25T-1R2J	T	72.9/43.5
L6	6200004741	S.COI NLV25T-1R2J	T	70.4/41
L7	6200004741	S.COI NLV25T-1R2J	T	72.9/37
L8	6200004741	S.COI NLV25T-1R2J	T	72.9/30.5
L9	6200004741	S.COI NLV25T-1R2J	T	70.4/28
L10	6200012970	S.COI 0.30-0.91-4TR 8.6N [USA-01]	T	67.1/44.7
	6200012970	S.COI 0.30-0.91-4TR 8.6N [EXP-01]		
	6200012970	S.COI 0.30-0.91-4TR 8.6N [EUR-01]		
L12	6200012970	S.COI 0.30-0.91-4TR 8.6N [USA-01]	T	67.1/38.2
	6200012970	S.COI 0.30-0.91-4TR 8.6N [EXP-01]		
	6200012970	S.COI 0.30-0.91-4TR 8.6N [EUR-01]		
L13	6200004741	S.COI NLV25T-1R2J	T	70.4/34.5
L15	6200012390	S.COI 0.30-0.92-3TR 5.8N	T	67.1/31.4
L16	6200010030	S.COI C2012C-15NG-A [USA-01]	B	21.1/35.6
	6200010030	S.COI C2012C-15NG-A [EXP-01]		
	6200010030	S.COI C2012C-15NG-A [EUR-01]		
	6200010020	S.COI C2012C-12NG-A [USA-02]		
	6200010020	S.COI C2012C-12NG-A [EXP-02]		

M.=Mounted side (T: Mounted on the Top side, B: Mounted on the Bottom side) S.=Surface mount

[MAIN UNIT] (For IC-F6060 series)

REF NO.	ORDER NO.	DESCRIPTION	M.	H/V LOCATION
L17	6200004741	S.COI NLV25T-1R2J [USA-01]	T	57.7/30
	6200004741	S.COI NLV25T-1R2J [EXP-01]		
	6200004741	S.COI NLV25T-1R2J [EUR-01]		
	6200002851	S.COI NLV25T-R82J [USA-02]		
	6200002851	S.COI NLV25T-R82J [EXP-02]		
L18	6130003000	S.COI #617DB-1714=P3	B	39/36.2
L19	6130003000	S.COI #617DB-1714=P3	B	34.5/42.6
L20	6200005721	S.COI ELJRE 18NGFA	T	54.2/32.6
L21	6200005671	S.COI ELJRE 12NGFA	T	54.4/39.1
L22	6200005711	S.COI ELJRE 27NGFA [USA-01]	B	40.2/46
	6200005711	S.COI ELJRE 27NGFA [EXP-01]		
	6200005711	S.COI ELJRE 27NGFA [EUR-01]		
	6200005691	S.COI ELJRE 18NGFA [USA-02]		
	6200005691	S.COI ELJRE 18NGFA [EXP-02]		
L23	6200005711	S.COI ELJRE 27NGFA [USA-01]	B	42.9/46
	6200005711	S.COI ELJRE 27NGFA [EXP-01]		
	6200005711	S.COI ELJRE 27NGFA [EUR-01]		
	6200005691	S.COI ELJRE 18NGFA [USA-02]		
	6200005691	S.COI ELJRE 18NGFA [EXP-02]		
L24	6130003000	S.COI #617DB-1714=P3	B	27/36.2
L25	6200005711	S.COI ELJRE 27NGFA	T	50/38.4
L26	6200010030	S.COI C2012C-15NG-A [USA-01]	B	15.9/35.6
	6200010030	S.COI C2012C-15NG-A [EXP-01]		
	6200010030	S.COI C2012C-15NG-A [EUR-01]		
	6200010020	S.COI C2012C-12NG-A [USA-02]		
	6200010020	S.COI C2012C-12NG-A [EXP-02]		
L27	6200005711	S.COI ELJRE 27NGFA	B	65.2/65.4
L28	6200010030	S.COI C2012C-15NG-A [USA-01]	B	7/36.7
	6200010030	S.COI C2012C-15NG-A [EXP-01]		
	6200010030	S.COI C2012C-15NG-A [EUR-01]		
	6200010020	S.COI C2012C-12NG-A [USA-02]		
	6200010020	S.COI C2012C-12NG-A [EXP-02]		
L29	6200005641	S.COI ELJRE 6N8ZFA	B	73.5/69
L30	6200005691	S.COI ELJRE 18NGFA [USA-01]	T	73.5/73.7
	6200005701	S.COI ELJRE 22NGFA [EXP-01]		
	6200005701	S.COI ELJRE 22NGFA [EUR-01]		
	6200005691	S.COI ELJRE 18NGFA [USA-02]		
	6200005691	S.COI ELJRE 18NGFA [EXP-02]		
L31	6200010210	S.COI C2012C-22NG-A [USA-01]	B	9.2/44.8
	6200010210	S.COI C2012C-22NG-A [EXP-01]		
	6200010210	S.COI C2012C-22NG-A [EUR-01]		
L32	6200009980	S.COI C2012C-18NG-A [USA-02]	B	9.2/48.8
	6200009980	S.COI C2012C-18NG-A [EXP-02]		
	6200010210	S.COI C2012C-22NG-A [USA-01]		
	6200010210	S.COI C2012C-22NG-A [EXP-01]		
	6200010210	S.COI C2012C-22NG-A [EUR-01]		
	6200009980	S.COI C2012C-18NG-A [USA-02]		
	6200009980	S.COI C2012C-18NG-A [EXP-02]		
L33	6200010150	S.COI AS080340-15N	T	32.6/75.2
L34	6200010100	S.COI C2012C-33NG-A	B	13.7/50
L35	6200005691	S.COI ELJRE 18NGFA [USA-01]	B	23/50.7
	6200005691	S.COI ELJRE 18NGFA [EXP-01]		
	6200005691	S.COI ELJRE 18NGFA [EUR-01]		
	6200006771	S.COI ELJRE 1N5ZFA [USA-02]		
	6200006771	S.COI ELJRE 1N5ZFA [EXP-02]		
L36	6200010420	S.COI FHW1210HC 1R0JGT <JJE>	B	31.2/68
L37	6200010150	S.COI AS080340-15N	T	30.3/58.1
L38	6200010150	S.COI AS080340-15N	T	22.2/58.3
L39	6200010150	S.COI AS080340-15N	T	14.3/60.3
L40	6200010150	S.COI AS080340-15N	T	10.3/82.4
L41	6200002861	S.COI NLV25T-4R7J	T	111.3/55.1
L42	6200005011	S.COI NLV25T-100J	T	40.1/41.6
L43	6200010680	S.COI C2520C-R22G-A (0.22U)	T	41.2/35.1
L44	6200010740	S.COI C2520C-R27G-A	T	35.9/39.5
L45	6200010150	S.COI AS080340-15N	T	6.4/58.3
L46	6200005711	S.COI ELJRE 27NGFA	B	71.1/68.8
L47	6200012390	S.COI 0.30-0.92-3TR 5.8N [USA-02]	T	65.1/44.7
	6200012390	S.COI 0.30-0.92-3TR 5.8N [EXP-02]		
L48	6200012390	S.COI 0.30-0.92-3TR 5.8N [USA-02]	T	65.1/38.2
	6200012390	S.COI 0.30-0.92-3TR 5.8N [EXP-02]		
R1	7030005060	S.RES ERJ2GEJ 333 X (33K)	B	38.6/6
R2	7510001730	S.THE ERTJJOEP 473J	T	89.3/32.2
R3	7030005050	S.RES ERJ2GEJ 103 X (10K)	T	78.5/11.6
R4	7030005230	S.RES ERJ2GEJ 334 X (330K)	B	88.8/18.5
R5	7030005090	S.RES ERJ2GEJ 104 X (100K)	T	89.8/33.5
R6	7030005700	S.RES ERJ2GEJ 274 X (270K)	T	87.7/19.4
R7	7030005230	S.RES ERJ2GEJ 334 X (330K)	T	84.3/17.5
R8	7410001130	S.ARR EXB28V102JX	T	86.9/52.4
R9	7030007570	S.RES ERJ2GEJ 122 X (1.2K)	B	35.4/11.4
R10	7030007060	S.RES ERJ2GEJ 684X (680K)	B	35.8/13.7
R11	7030010040	S.RES ERJ2GEJ-JPW	T	9.3/12.9
R12	7030004970	S.RES ERJ2GEJ 470 X (47)	T	34.1/6.4
R13	7030007340	S.RES ERJ2GEJ 153 X (15K)	T	8.9/16.5
R14	7030007340	S.RES ERJ2GEJ 153 X (15K)	T	9.3/9.3
R15	7030005070	S.RES ERJ2GEJ 683 X (68K)	B	93.3/14.4
R17	7030007570	S.RES ERJ2GEJ 122 X (1.2K)	B	93.3/15.3
R18	7030008300	S.RES ERJ2GEJ 184 X (180K)	B	81.5/7.3
R19	7030005230	S.RES ERJ2GEJ 334 X (330K)	T	86.3/9.9
R20	7030005090	S.RES ERJ2GEJ 104 X (100K)	T	77.9/8.2
R21	7030005070	S.RES ERJ2GEJ 683 X (68K)	T	88.5/8.9
R22	7030005050	S.RES ERJ2GEJ 103 X (10K)	B	38.6/7.7
R23	7030005050	S.RES ERJ2GEJ 103 X (10K)	B	38.6/9.4
R24	7030005060	S.RES ERJ2GEJ 333 X (33K)	B	37.7/10.7
R25	7030005120	S.RES ERJ2GEJ 102 X (1K)	B	101/51.6
R26	7030005000	S.RES ERJ2GEJ 471 X (470)	B	96.7/5.7
R27	7030007300	S.RES ERJ2GEJ 332 X (3.3K)	T	53.9/5.6
R28	7030010040	S.RES ERJ2GEJ-JPW	T	59.6/5.4
R29	7030005000	S.RES ERJ2GEJ 471 X (470)	T	114.5/10.2
R30	7030005170	S.RES ERJ2GEJ 474 X (470K)	B	37.7/9.4
R31	7030007340	S.RES ERJ2GEJ 153 X (15K)	B	36.8/9
R32	7030005720	S.RES ERJ2GEJ 563 X (56K)	B	37.7/7.7
R33	7030005160	S.RES ERJ2GEJ 105 X (1M)	T	81/8.4

[MAIN UNIT] (For IC-F6060 series)

REF NO.	ORDER NO.	DESCRIPTION	M.	H/V LOCATION
R34	7030005040	S.RES ERJ2GEJ 472 X (4.7K)	T	79/10
R35	7030005120	S.RES ERJ2GEJ 102 X (1K)	T	81.5/7.2
R36	7030007270	S.RES ERJ2GEJ 151 X (150)	B	25.8/14.4
R37	7030005210	S.RES ERJ2GEJ 822 X (8.2K)	B	15/7.3
R38	7030007340	S.RES ERJ2GEJ 153 X (15K)	T	23.1/6.2
R39	7030007340	S.RES ERJ2GEJ 153 X (15K)	T	22.8/10.2
R40	7030005240	S.RES ERJ2GEJ 473 X (47K)	T	25.9/10.6
R41	7030007290	S.RES ERJ2GEJ 272 X (2.2K)	T	26.4/5.3
R42	7030005090	S.RES ERJ2GEJ 104 X (100K)	B	94.7/11.7
R43	7030007300	S.RES ERJ2GEJ 332 X (3.3K)	B	95.2/10.4
R44	7030007340	S.RES ERJ2GEJ 153 X (15K)	B	90.8/12.9
R45	7030005220	S.RES ERJ2GEJ 223 X (22K)	B	91.9/10
R46	7030005040	S.RES ERJ2GEJ 472 X (4.7K)	T	90.5/13.7
R47	7030005050	S.RES ERJ2GEJ 103 X (10K)	T	90.9/12.7
R48	7030005060	S.RES ERJ2GEJ 333 X (33K)	B	51.1/8.1
R49	7030005160	S.RES ERJ2GEJ 105 X (1M)	B	49.9/13.6
R50	7030005090	S.RES ERJ2GEJ 104 X (100K)	B	49.9/11
R51	7030005290	S.RES ERJ2GEJ 682 X (6.8K)	T	52.6/8.6
R52	7030007340	S.RES ERJ2GEJ 153 X (15K)	B	63.3/12.6
R53	7030005000	S.RES ERJ2GEJ 471 X (470)	T	84.4/38.2
R54	7030005120	S.RES ERJ2GEJ 102 X (1K)	B	81.3/43.4
R55	7030007290	S.RES ERJ2GEJ 222 X (2.2K)	B	83.5/26.5
R56	7030004980	S.RES ERJ2GEJ 101 X (100)	B	81.6/39.1
R57	7030005090	S.RES ERJ2GEJ 104 X (100K)	B	28/14.3
R58	7030004980	S.RES ERJ2GEJ 101 X (100)	T	26.4/8.1
R59	7030005240	S.RES ERJ2GEJ 473 X (47K)	T	26.8/7.2
R60	7030005000	S.RES ERJ2GEJ 471 X (470)	T	31/10.3
R61	7030005040	S.RES ERJ2GEJ 472 X (4.7K)	T	27.7/8.4
R62	7030005040	S.RES ERJ2GEJ 472 X (4.7K)	B	32.7/12.5
R63	7030005220	S.RES ERJ2GEJ 223 X (22K)	B	91.9/8.3
R64	7030005220	S.RES ERJ2GEJ 223 X (22K)	B	91.9/6.6
R65	7030005090	S.RES ERJ2GEJ 104 X (100K)	B	51.1/9
R67	7030005290	S.RES ERJ2GEJ 682 X (6.8K)	T	53.5/8.6
R68	7030007290	S.RES ERJ2GEJ 222 X (2.2K)	B	53.7/17.9
R69	7030010040	S.RES ERJ2GEJ-JPW	T	85.6/16.8
R71	7030005090	S.RES ERJ2GEJ 104 X (100K)	T	54.5/8.6
R72	7030007290	S.RES ERJ2GEJ 222 X (2.2K)	B	50.9/30.2
R73	7030004980	S.RES ERJ2GEJ 101 X (100)	B	80.3/29.7
R74	7030007570	S.RES ERJ2GEJ 122 X (1.2K)	B	83.1/27.8
R75	7030005290	S.RES ERJ2GEJ 682 X (6.8K)	B	82.6/42.4
R76	7030005050	S.RES ERJ2GEJ 103 X (10K)	B	82.4/33
R77	7030005580	S.RES ERJ2GEJ 560 X (56)	B	83.2/48
R78	7030005220	S.RES ERJ2GEJ 223 X (22K)	B	81.6/37.3
R79	7030007340	S.RES ERJ2GEJ 153 X (15K)	T	51.1/42.8
R80	7030007340	S.RES ERJ2GEJ 153 X (15K)	T	51.1/41.8
R81	7030005090	S.RES ERJ2GEJ 104 X (100K)	B	74.9/45.2
R82	7030005110	S.RES ERJ2GEJ 224 X (220K)	B	71.7/27.3
R83	7030008400	S.RES ERJ2GEJ 182 X (1.8K)	T	32.6/9.3
R84	7030007280	S.RES ERJ2GEJ 331 X (330)	T	24.6/18.3
R85	7030005110	S.RES ERJ2GEJ 224 X (220K)	T	24.2/19.3
R86	7030007300	S.RES ERJ2GEJ 332 X (3.3K)	B	33.4/8.8
R87	7030007300	S.RES ERJ2GEJ 332 X (3.3K)	T	30.5/19.3
R88	7030005120	S.RES ERJ2GEJ 102 X (1K)	B	90.7/6.6
R90	7030005000	S.RES ERJ2GEJ 471 X (470)	B	89.8/18.5
R91	7030005230	S.RES ERJ2GEJ 334 X (330K)	T	86.4/12.8
R93	7030005310	S.RES ERJ2GEJ 124 X (120K)	T	83.9/8.4
R94	7030005080	S.RES ERJ2GEJ 823 X (82K)	T	106.7/36.7
R95	7030005720	S.RES ERJ2GEJ 560 X (56K)	T	106.3/35.7
R96	7030005240	S.RES ERJ2GEJ 473 X (47K)	B	63.7/15.1
R97	7030005060	S.RES ERJ2GEJ 333 X (33K)	B	52.2/12.7
R98	7030005040	S.RES ERJ2GEJ 472 X (4.7K)	B	63.7/18.9
R99	7030005240	S.RES ERJ2GEJ 473 X (47K)	B	63.7/18
R100	7030005120	S.RES ERJ2GEJ 102 X (1K)	B	84.4/32.4
R101	7030007280	S.RES ERJ2GEJ 331 X (330)	B	80.1/32.9
R102	7030005530	S.RES ERJ2GEJ 100 X (10)	T	22.5/19.3
R103	7030005600	S.RES ERJ2GEJ 273 X (27K)	T	28.7/25.5
R104	7030007280	S.RES ERJ2GEJ 331 X (330)	T	25/22.5
R105	7030005600	S.RES ERJ2GEJ 273 X (27K)	B	32.4/24.2
R106	7030007270	S.RES ERJ2GEJ 151 X (150)	T	33.9/22.5
R108	7030005240	S.RES ERJ2GEJ 473 X (47K)	B	81.9/18.9
R109	7030005700	S.RES ERJ2GEJ 274 X (270K)	B	81/18.9
R110	7030005050	S.RES ERJ2GEJ 103 X (10K)	T	78.4/20.8
R111	7030005050	S.RES ERJ2GEJ 103 X (10K)	T	96.2/28.5
R112	7030005700	S.RES ERJ2GEJ 274 X (270K)	B	81.7/20.2
R113	7030005240	S.RES ERJ2GEJ 473 X (47K)	B	57.4/19.5
R114	7030005090	S.RES ERJ2GEJ 104 X (100K)	B	54.1/13.4
R115	7030005090	S.RES ERJ2GEJ 104 X (100K)	T	113.7/17.8
R116	7030005090	S.RES ERJ2GEJ 104 X (100K)	B	78.4/15.4
R117	7030005050	S.RES ERJ2GEJ 103 X (10K)	B	81.6/38.2
R118	7030005700	S.RES ERJ2GEJ 274 X (270K) [USA-01]	T	88.5/9.9
	7030005700	S.RES ERJ2GEJ 274 X (270K) [EXP-01]		
	7030005700	S.RES ERJ2GEJ 274 X (270K) [EUR-01]		
	7030005230	S.RES ERJ2GEJ 334 X (330K) [USA-02]		
	7030005230	S.RES ERJ2GEJ 334 X (330K) [EXP-02]		
R120	7030007280	S.RES ERJ2GEJ 331 X (330)	T	26.5/34.4
R122	7030005600	S.RES ERJ2GEJ 273 X (27K)	T	28.8/35.2
R123	7030005600	S.RES ERJ2GEJ 273 X (27K)	T	34.1/35.2
R125	7030007270	S.RES ERJ2GEJ 151 X (150)	T	36.4/34.4
R127	7030005050	S.RES ERJ2GEJ 103 X (10K)	B	78.2/17.8
R128				

[MAIN UNIT] (For IC-F6060 series)

REF NO.	ORDER NO.	DESCRIPTION	M.	H/V LOCATION
R144	7030006020	S.RES RR0510P-682-D (6.8K)	T	62.9/36.1
R145	7030010040	S.RES ERJ2GGEJ-JPW	T	61.6/37.4
R146	7030006020	S.RES RR0510P-682-D (6.8K)	T	62.9/31.3
R147	7030006020	S.RES RR0510P-682-D (6.8K)	T	62.9/29.6
R148	7030009320	S.RES ERJ2GGEJ 4R7 X (4.7)	T	61.6/30.9
R149	7030005110	S.RES ERJ2GGEJ 224 X (220K)	B	65.1/32.6
R150	7030008290	S.RES ERJ2GGEJ 183 X (18K)	B	79.2/28.2
R151	7030005220	S.RES ERJ2GGEJ 223 X (22K) [USA-01]	B	80.5/27.8
	7030005220	S.RES ERJ2GGEJ 223 X (22K) [EXP-01]		
	7030005220	S.RES ERJ2GGEJ 223 X (22K) [EUR-01]		
	7030008290	S.RES ERJ2GGEJ 183 X (18K) [USA-02]		
	7030008290	S.RES ERJ2GGEJ 183 X (18K) [EXP-02]		
R152	7030005090	S.RES ERJ2GGEJ 104 X (100K)	B	81.8/28.2
R153	7030007300	S.RES ERJ2GGEJ 332 X (3.3K)	T	36.4/42.1
R154	7030004970	S.RES ERJ2GGEJ 470 X (47)	T	42.9/40
R155	7030007290	S.RES ERJ2GGEJ 222 X (2.2K)	T	39.9/33
R156	7030004970	S.RES ERJ2GGEJ 470 X (47)	T	42.3/41.2
R157	7030005090	S.RES ERJ2GGEJ 104 X (100K)	B	30.1/24.9
R158	7030005240	S.RES ERJ2GGEJ 473 X (47K)	T	111.1/42.7
R159	7030005240	S.RES ERJ2GGEJ 473 X (47K)	T	111.5/40.9
R160	7030005240	S.RES ERJ2GGEJ 473 X (47K)	T	113.7/39.9
R161	7030005070	S.RES ERJ2GGEJ 683 X (68K)	T	105.4/48.4
R162	7030005240	S.RES ERJ2GGEJ 473 X (47K)	T	127.8/16.3
R163	7030005240	S.RES ERJ2GGEJ 473 X (47K)	T	128.7/17.2
R164	7030005240	S.RES ERJ2GGEJ 473 X (47K)	T	129.6/17.3
R165	7030005230	S.RES ERJ2GGEJ 334 X (330K)	T	129.8/21.6
R166	7030005230	S.RES ERJ2GGEJ 334 X (330K)	T	129.8/20.3
R167	7030005230	S.RES ERJ2GGEJ 334 X (330K)	T	129.8/19
R168	7030011180	S.RES RR0510P-391-D (390)	B	60.4/25.5
R169	7030009820	S.RES RR0510P-681-D (680) [USA-01]	B	60.3/38.6
	7030009820	S.RES RR0510P-681-D (680) [EXP-01]		
	7030009820	S.RES RR0510P-681-D (680) [EUR-01]		
	7030011180	S.RES RR0510P-391-D (390) [USA-02]		
	7030011180	S.RES RR0510P-391-D (390) [EXP-02]		
R170	7030009820	S.RES RR0510P-681-D (680)	B	55.7/31.5
R171	7030005310	S.RES ERJ2GGEJ 124 X (120K)	T	57.3/1.8
R172	7030008280	S.RES ERJ2GGEJ 271 X (270)	B	37.5/44.6
R173	7030007270	S.RES ERJ2GGEJ 151 X (150)	B	40.3/2.8
R176	7030005590	S.RES ERJ2GGEJ 680 X (68)	B	31.3/37.4
R177	7030005590	S.RES ERJ2GGEJ 680 X (68)	B	31.3/35
R178	7030005240	S.RES ERJ2GGEJ 473 X (47K)	T	113.7/38.9
R179	7030008300	S.RES ERJ2GGEJ 184 X (180K)	T	117.1/34.6
R180	7030005720	S.RES ERJ2GGEJ 563 X (56K)	T	117.5/35.6
R181	7030005220	S.RES ERJ2GGEJ 223 X (22K)	T	117.1/36.2
R182	7030005120	S.RES ERJ2GGEJ 102 X (1K)	T	117.5/33.6
R183	7030005070	S.RES ERJ2GGEJ 683 X (68K)	T	103.7/48.4
R184	7030005220	S.RES ERJ2GGEJ 223 X (22K)	T	115.4/36.6
R185	7030005070	S.RES ERJ2GGEJ 683 X (68K)	B	102.3/45.6
R186	7030005160	S.RES ERJ2GGEJ 105 X (1M)	T	81.3/19.3
R187	7030005060	S.RES ERJ2GGEJ 333 X (33K)	T	81.3/17.5
R188	7030005090	S.RES ERJ2GGEJ 104 X (100K)	T	78.9/14.6
R189	7030005720	S.RES ERJ2GGEJ 563 X (56K)	T	78.5/15.8
R190	7030007350	S.RES ERJ2GGEJ 393 X (39K)	T	80.9/18.4
R191	7030004980	S.RES ERJ2GGEJ 101 X (100)	T	54.2/30.4
R192	7030005000	S.RES ERJ2GGEJ 471 X (470)	B	52.6/35.9
R193	7030005050	S.RES ERJ2GGEJ 103 X (10K)	B	57.5/31.0
R194	7030005110	S.RES ERJ2GGEJ 224 X (220K)	T	53.5/36.7
R195	7030007260	S.RES ERJ2GGEJ 330 X (33)	T	51.3/3.4
R196	7030005050	S.RES ERJ2GGEJ 103 X (10K)	B	56.8/35.3
R197	7030005050	S.RES ERJ2GGEJ 103 X (10K)	B	55/38.5
R198	7030010090	S.RES ERJ2GGEJ 180 X (18)	B	38/46
R199	7030008280	S.RES ERJ2GGEJ 271 X (270)	B	38.5/44.6
R200	7030005050	S.RES ERJ2GGEJ 103 X (10K)	B	8.4/20.6
R201	7410001130	S.ARR EXB28V102JX	B	117.5/1.7
R202	7030005090	S.RES ERJ2GGEJ 104 X (100K)	T	127.1/46.7
R203	7030005120	S.RES ERJ2GGEJ 102 X (1K)	B	126.7/42.2
R204	7410000750	S.ARR EXB-V4V 104JV (100K)	B	129.6/43.4
R205	7030008010	S.RES ERJ2GGEJ 123 X (12K)	T	126.2/32.9
R206	7030005120	S.RES ERJ2GGEJ 102 X (1K)	B	127.7/37.1
R207	7030005050	S.RES ERJ2GGEJ 103 X (10K)	T	120.3/37
R208	7030005050	S.RES ERJ2GGEJ 103 X (10K)	T	121/37.7
R209	7410001130	S.ARR EXB28V102JX	B	128.6/39.5
R210	7030008010	S.RES ERJ2GGEJ 123 X (12K)	T	123.6/37.9
R211	7030008010	S.RES ERJ2GGEJ 123 X (12K)	T	125.5/40.8
R212	7030005160	S.RES ERJ2GGEJ 105 X (1M)	T	121.7/40.8
R213	7030005070	S.RES ERJ2GGEJ 683 X (68K)	T	49/35
R214	7030004980	S.RES ERJ2GGEJ 101 X (100)	B	49/35
R215	7030005050	S.RES ERJ2GGEJ 103 X (10K)	B	48.8/51.4
R216	7030004980	S.RES ERJ2GGEJ 101 X (100) [USA-01]	B	49.8/49.7
	7030005120	S.RES ERJ2GGEJ 102 X (1K) [EXP-01]		
	7030005120	S.RES ERJ2GGEJ 102 X (1K) [EUR-01]		
	7030004980	S.RES ERJ2GGEJ 101 X (100) [USA-02]		
	7030005120	S.RES ERJ2GGEJ 102 X (1K) [EXP-02]		
R218	7030010040	S.RES ERJ2GGEJ-JPW	T	53.5/34.9
R219	7030005050	S.RES ERJ2GGEJ 103 X (10K)	B	46.8/44.6
R220	7030005040	S.RES ERJ2GGEJ 472 X (4.7K)	B	49.7/44.8
R221	7030004980	S.RES ERJ2GGEJ 101 X (100)	B	46.8/42.9
R222	7030005110	S.RES ERJ2GGEJ 224 X (220K)	B	13.5/33.1
R223	7030005110	S.RES ERJ2GGEJ 224 X (220K)	B	10.7/33.1
R224	7030005050	S.RES ERJ2GGEJ 103 X (10K)	B	10.7/31.4
R225	7030005000	S.RES ERJ2GGEJ 471 X (470)	B	8/19.2
R226	7030004980	S.RES ERJ2GGEJ 101 X (100)	T	110.5/1.7
R227	7030005090	S.RES ERJ2GGEJ 104 X (100K)	B	106.6/50.3
R228	7410001140	S.ARR EXB28V104JX	B	107.1/50.6
R230	7030005050	S.RES ERJ2GGEJ 103 X (10K)	B	124.7/42.7
R232	7030005530	S.RES ERJ2GGEJ 100 X (10)	T	120/40.8
R233	7410000750	S.ARR EXB-V4V 104JV (100K)	T	130.1/33.2
R234	7410001130	S.ARR EXB28V102JX	B	128.9/33.4
R235	7030005600	S.RES ERJ2GGEJ 273 X (27K)	B	69.9/69.4
R236	7030004970	S.RES ERJ2GGEJ 470 X (47)	B	67.7/70.5
R238	7030004980	S.RES ERJ2GGEJ 101 X (100)	B	63.6/66.2
R240	7030005090	S.RES ERJ2GGEJ 104 X (100K)	B	64.1/65
R242	7030005530	S.RES ERJ2GGEJ 100 X (10)	B	6.5/34.4
R243	7030009320	S.RES ERJ2GGEJ 4R7 X (4.7)	B	13.4/42.4

[MAIN UNIT] (For IC-F6060 series)

REF NO.	ORDER NO.	DESCRIPTION	M.	H/V LOCATION
R244	7030009290	S.RES ERJ2GGEJ 562 X (5.6K) [USA-01]	B	8.6/35.7
	7030009290	S.RES ERJ2GGEJ 562 X (5.6K) [EXP-01]		
	7030005120	S.RES ERJ2GGEJ 102 X (1K) [EUR-01]		
	7030005040	S.RES ERJ2GGEJ 472 X (4.7K) [USA-02]		
	7030005040	S.RES ERJ2GGEJ 472 X (4.7K) [EXP-02]		
R245	7030005530	S.RES ERJ2GGEJ 100 X (10)	B	11.7/38.2
R246	7030005090	S.RES ERJ2GGEJ 104 X (100K)	B	11.3/41.5
R247	7030005710	S.RES ERJ2GGEJ 121 X (120)	B	7.3/41.2
R248	7410001130	S.ARR EXB28V102JX	B	103.9/47.9
R249	7410001130	S.ARR EXB28V102JX	B	123.6/27.2
R250	7410001130	S.ARR EXB28V102JX	B	121.9/25.3
R251	7410001140	S.ARR EXB28V104JX	T	124.2/27.9
R252	7410001140	S.ARR EXB28V104JX	T	122.1/25.7
R253	7030008290	S.RES ERJ2GGEJ 183 X (18K)	T	11.8/40.8
R254	7030005110	S.RES ERJ2GGEJ 224 X (220K)	T	7.3/41
R255	7030005240	S.RES ERJ2GGEJ 473 X (47K)	B	9/41.9
R257	7030008400	S.RES ERJ2GGEJ 182 X (1.8K)	T	7.3/39.7
R258	7030005170	S.RES ERJ2GGEJ 474 X (470K)	T	8.4/42.2
R259	7030005090	S.RES ERJ2GGEJ 104 X (100K)	B	5.4/45.6
R260	7030005090	S.RES ERJ2GGEJ 104 X (100K)	B	5.4/48
R261	7410001130	S.ARR EXB28V102JX	B	99.7/43.5
R262	7410001130	S.ARR EXB28V102JX	T	100.5/37
R263	7410001130	S.ARR EXB28V102JX	B	97/40.7
R264	7410000750	S.ARR EXB-V4V 104JV (100K)	T	103.2/35.4
R265	7030007340	S.RES ERJ2GGEJ 153 X (15K)	T	87.7/31.7
R266	7410001130	S.ARR EXB28V102JX	B	120.1/23.5
R267	7410001130	S.ARR EXB28V102JX	B	118.3/21.7
R268	7410001130	S.ARR EXB28V102JX	B	116.5/19.9
R269	7030005090	S.RES ERJ2GGEJ 104 X (100K)	T	118.6/20.6
R270	7030007340	S.RES ERJ2GGEJ 153 X (15K)	T	88.6/34.2
R271	7030007270	S.RES ERJ2GGEJ 151 X (150)	T	73/71.8
R272	7030007280	S.RES ERJ2GGEJ 331 X (330)	T	61.7/6.7
R273	7030005050	S.RES ERJ2GGEJ 103 X (10K)	T	63.6/76.2
R274	7030004980	S.RES ERJ2GGEJ 101 X (100)	B	57.9/68.9
R277	7030005050	S.RES ERJ2GGEJ 103 X (10K)	B	4.1/46.5
R278	7030005050	S.RES ERJ2GGEJ 103 X (10K)	B	126.6/28.8
R279	7030005050	S.RES ERJ2GGEJ 104 X (100K)	B	127.6/28.8
R280	7410001130	S.ARR EXB28V102JX	B	95.2/38.9
R281	7030005090	S.RES ERJ2GGEJ 104 X (100K)	T	93.8/48.9
R282	7410000750	S.ARR EXB-V4V 104JV (100K)	T	91.6/49.5
R283	7410001130	S.ARR EXB28V102JX	B	104.7/22.2
R284	7030005120	S.RES ERJ2GGEJ 102 X (1K)	T	111.3/25.3
R285	7410001130	S.ARR EXB28V102JX	B	107.1/19.9
R286	7410001140	S.ARR EXB28V104JX	T	120.5/21.8
R287	7030004990	S.RES ERJ2GGEJ 221 X (220)	B	57.6/64.5
R288	7030005100	S.RES ERJ2GGEJ 154 X (150K)	B	55.8/68.9
R289	7030008300	S.RES ERJ2GGEJ 184 X (180K) [USA-01]	B	44.3/65
	7030008300	S.RES ERJ2GGEJ 184 X (180K) [USA-02]		
R290	7520000260	S.POS PRF18BB471QB1RB [USA-01]	T	33.7/66.7
	7520000260	S.POS PRF18BB471QB1RB [USA-02]		
R291	7030005120	S.RES ERJ2GGEJ 102 X (1K)	T	107.2/21.1
R292	7030006070	S.RES ERJ12VJ101U (100)	B	36.9/68
R293	7030005110	S.RES ERJ2GGEJ 224 X (220K)	B	50.5/65.7
R294	7030005050	S.RES ERJ2GGEJ 103 X (10K)	B	53.1/70.1
R295	7030005110	S.RES ERJ2GGEJ 224 X (220K)	B	54.2/64.5
R296	7030005040	S.RES ERJ2GGEJ 472 X (4.7K)	B	50/68.9
R297	7030008010	S.RES ERJ2GGEJ 123 X (12K) [USA-01]	B	51.8/70.2
	7030008010	S.RES ERJ2GGEJ 123 X (12K) [EXP-01]		
	7030008010	S.RES ERJ2GGEJ 123 X (12K) [EUR-01]		
	7030008010	S.RES ERJ2GGEJ 123 X (12K) [USA-02]		
	7030005220	S.RES ERJ2GGEJ 223 X (22K) [EXP-02]		
R298	7030006610	S.RES ERJ2GGEJ 394 X (390K)	B	49.2/66.1
R299	7030005110	S.RES ERJ2GGEJ 224 X (220K)	B	18.3/33.1
R300	7030005050	S.RES ERJ2GGEJ 103 X (10K)	B	99.9/59.6
R301	7030007290	S.RES ERJ2GGEJ 222 X (2.2K)	T	106.7/55
R302	7030000440	S.RES MCR10EZJH 3.3K (332)	T	79.1/64.4
R303	7030000440	S.RES MCR10EZJH 3.3K (332)	T	81.1/64.4
R304	7030000440	S.RES MCR10EZJH 3.3K (332)	T	83.1/64.4
R305	7030005050	S.RES ERJ2GGEJ 103 X (10K)	T	66.9/54.1
R306	7030005040	S.RES ERJ2GGEJ 472 X (4.7K)	T	68.1/53.2
R307	7030005050	S.RES ERJ2GGEJ 103 X (10K)	B	35.4/61.7
R308	7410001130	S.ARR EXB28V102JX	T	102.3/63.8
R309	7030005070	S.RES ERJ2GGEJ 683 X (68K)	T	94.9/5.4
R310	7030004980	S.RES ERJ2GGEJ 101 X (100)	B	109.1/62.5
R311	7030000260	S.RES MCR10EZJH 100 (101)	B	16/79.4
R312	7030005700	S.RES ERJ2GGEJ 274 X (270K)	B	41/61.1
R313	7030003320	S.RES ERJ3GGEYJ 101 V (100)	B	11.2/58
R314	7030007340	S.RES ERJ2GGEJ 153 X (

[MAIN UNIT] (For IC-F6060 series)

REF NO.	ORDER NO.	DESCRIPTION	M.	H/V LOCATION
R336	7030005120	S.RES ERJ2GEJ 102 X (1K)	T	112.2/80
R337	7410001130	S.ARR EXB28V102JX	T	104.8/77
R338	7030005651	S.RES ERA3YKD 304V (300K)	B	99.9/57.9
R339	7030005871	S.RES ERA3YKD 104V (100K)	B	99.9/56.5
R340	7030003560	S.RES ERJ3GEYJ 103 V (10K)	T	136.3/65.7
R341	7030003560	S.RES ERJ3GEYJ 103 V (10K)	B	130.7/85.9
R342	7030005090	S.RES ERJ2GEJ 104 X (100K)	B	135.4/52.2
R343	7030007290	S.RES ERJ2GEJ 222 X (2.2K)	B	138.1/49.4
R344	7030005110	S.RES ERJ2GEJ 224 X (220K)	B	133.3/54.6
R345	7030005110	S.RES ERJ2GEJ 224 X (220K)	B	133.3/56.3
R346	7030005040	S.RES ERJ2GEJ 472 X (4.7K)	B	137/52.2
R347	7030005050	S.RES ERJ2GEJ 103 X (10K)	B	137.8/53.7
R348	7030005700	S.RES ERJ2GEJ 274 X (270K)	B	129.1/77.2
R349	7030005090	S.RES ERJ2GEJ 104 X (100K)	B	127.8/77.7
R350	7030005120	S.RES ERJ2GEJ 102 X (1K)	B	140/47.6
R351	7030004980	S.RES ERJ2GEJ 101 X (100)	B	134.5/36.5
R352	7030008300	S.RES ERJ2GEJ 184 X (180K)	B	140.1/38.5
R353	7030005230	S.RES ERJ2GEJ 334 X (330K)	B	139.3/34.8
R354	7030010040	S.RES ERJ2GEJ-JPW	T	140/4/36
R355	7030008280	S.RES ERJ2GEJ 271 X (270)	B	138/34.8
R356	7540000290	ABS ERZV10D220		
R359	7030005090	S.RES ERJ2GEJ 104 X (100K)	B	112.6/80.5
R360	7030005090	S.RES ERJ2GEJ 104 X (100K)	T	78.4/5.3
R361	7030005600	S.RES ERJ2GEJ 273 X (27K)	T	76.7/18.3
R362	7030005050	S.RES ERJ2GEJ 103 X (10K)	T	121.7/48.6
R363	7030005120	S.RES ERJ2GEJ 102 X (1K)	T	42.9/38.2
R364	7030005040	S.RES ERJ2GEJ 472 X (4.7K)	T	42/37.2
R366	7030005050	S.RES ERJ2GEJ 103 X (10K)	B	131.4/63.4
R367	7030005000	S.RES ERJ2GEJ 471 X (470)	B	130.1/63
R368	7030005050	S.RES ERJ2GEJ 103 X (10K)	T	80.6/7.2
R370	7030005030	S.RES ERJ2GEJ 152 X (1.5K)	B	78.4/35.7
R371	7030005120	S.RES ERJ2GEJ 102 X (1K)	B	78.7/44.7
R372	7030010040	S.RES ERJ2GEJ-JPW	B	39.5/8.1
R373	7030010040	S.RES ERJ2GEJ-JPW	B	50.4/12.3
R374	7030005050	S.RES ERJ2GEJ 103 X (10K)	T	117.9/83.3
R375	7030005030	S.RES ERJ2GEJ 152 X (1.5K)	T	29.2/5.3
R376	7030005040	S.RES ERJ2GEJ 472 X (4.7K)	T	75.8/18.3
R377	7030005160	S.RES ERJ2GEJ 105 X (1M)	B	112.9/12.2
R378	7030005160	S.RES ERJ2GEJ 105 X (1M)	B	114.2/12.7
R379	7410001140	S.ARR EXB28V104JX	B	99.9/18
R380	7030005090	S.RES ERJ2GEJ 104 X (100K)	T	110.9/22.2
R385	7030010040	S.RES ERJ2GEJ-JPW	T	64.8/76.6
R386	7410000750	S.ARR EXB-V4V 104JV (100K)	T	110.1/30.2
R387	7030005120	S.RES ERJ2GEJ 102 X (1K)	T	104.8/86.7
R388	7030005120	S.RES ERJ2GEJ 102 X (1K)	T	108.8/86.7
R389	7030005050	S.RES ERJ2GEJ 103 X (10K)	T	103.8/38.2
C1	4030017420	S.CER ECJ0EC1H470J	T	88.9/54.3
C2	4030017420	S.CER ECJ0EC1H470J	T	89.9/54.3
C3	4030017420	S.CER ECJ0EC1H470J	T	41.7/15.3
C4	4030017420	S.CER ECJ0EC1H470J	T	50.4/14.9
C5	4030016930	S.CER ECJ0EB1A104K	T	89.8/34.6
C6	4550006250	S.TAN TEESVA 1A 106M8R	B	77.3/49.7
C8	4030017420	S.CER ECJ0EC1H470J	T	89.9/52
C9	4030016930	S.CER ECJ0EB1A104K	T	88.9/52
C10	4030016930	S.CER ECJ0EB1A104K	T	79.8/51
C11	4030016930	S.CER ECJ0EB1A104K	T	9.3/11.1
C12	4030016930	S.CER ECJ0EB1A104K	T	9.3/11.1
C13	4030016930	S.CER ECJ0EB1A104K	T	82.8/6.6
C14	4030016930	S.CER ECJ0EB1A104K	T	86.3/8.9
C15	4030017460	S.CER ECJ0EB1E102K	T	41.5/7.7
C16	4550000460	S.TAN TEESVA 1C 105M8R	T	42.7/6.2
C17	4550000460	S.TAN TEESVA 1C 105M8R	B	43/6.2
C18	4030017420	S.CER ECJ0EC1H470J	T	41.7/14
C19	4030017420	S.CER ECJ0EC1H470J	B	50.4/15.8
C20	4030016970	S.CER ECJ0EB1C223K	B	101/52.7
C21	4030017420	S.CER ECJ0EC1H470J	T	41.7/16.9
C22	4030017420	S.CER ECJ0EC1H470J	T	41.7/12.7
C23	4030016930	S.CER ECJ0EB1A104K	T	52.2/5.6
C24	4030017420	S.CER ECJ0EC1H470J	B	39.5/9.8
C25	4030017420	S.CER ECJ0EC1H470J	T	60.9/5.9
C26	4030016930	S.CER ECJ0EB1A104K	B	37.7/6
C27	4030017760	S.CER ECJ0EB1H222K	B	36.8/7.3
C28	4030016790	S.CER ECJ0EB1C103K	T	78.1/9.5
C29	4030017460	S.CER ECJ0EB1E102K	T	78.5/12.5
C30	4030016930	S.CER ECJ0EB1A104K	T	78.5/13.4
C31	4030017460	S.CER ECJ0EB1E102K	T	82/50.5
C32	4030017500	S.CER ECJ0EC1H560J	B	33.3/15.9
C33	4030016930	S.CER ECJ0EB1A104K	B	35.8/12.7
C34	4030017570	S.CER ECJ0EC1H040B	B	32/15.4
C35	4030017590	S.CER ECJ0EC1H070C	B	30.8/15.9
C36	4030016930	S.CER ECJ0EB1A104K	T	22.9/15
C37	4030017360	S.CER ECJ0EC1H030B	B	28.1/15.4
C38	4030016930	S.CER ECJ0EB1A104K	T	22.1/6.2
C39	4030016930	S.CER ECJ0EB1A104K	B	15/5.7
C40	4030016930	S.CER ECJ0EB1A104K	T	24.4/6
C41	4030016930	S.CER ECJ0EB1A104K	T	22.2/12.5
C42	4030016930	S.CER ECJ0EB1A104K	T	23.1/12.5
C43	4030017760	S.CER ECJ0EB1H222K	T	26.4/9.4
C44	4030017760	S.CER ECJ0EB1H222K	T	25.5/9.4
C45	4030017790	S.CER ECJ0EB1E682K	B	92.9/9.6
C46	4030016930	S.CER ECJ0EB1A104K	B	93.9/10
C47	4030016970	S.CER ECJ0EB1C223K	T	90.9/14.7
C48	4030017710	S.CER ECJ0EC1H181J	B	49.9/9.1
C49	4550006250	S.TAN TEESVA 1A 106M8R	T	54.8/15.4
C50	4030017460	S.CER ECJ0EB1E102K	T	55.4/12.1
C51	4030017400	S.CER ECJ0EC1H220J	T	46.3/18.8
C52	4030017400	S.CER ECJ0EC1H220J	T	44.7/7.8
C53	4030017900	S.CER ECJ0EB1C123K	B	63.7/10.8
C54	4030018080	S.CER ECJ0EB1H182K	B	63.7/11.7
C55	4030016790	S.CER ECJ0EB1C103K	B	49.2/30.2
C56	4030017620	S.CER ECJ0EC1H100C	T	83.4/36.5
C57	4030016930	S.CER ECJ0EB1A104K	T	84.8/31

[MAIN UNIT] (For IC-F6060 series)

REF NO.	ORDER NO.	DESCRIPTION	M.	H/V LOCATION
C58	4030017430	S.CER ECJ0EC1H101J	T	85.7/38.8
C59	4030017460	S.CER ECJ0EB1E102K	T	81.8/24.8
C60	4030017420	S.CER ECJ0EC1H470J	T	83/41.5
C61	4030017620	S.CER ECJ0EC1H100C	T	84.4/40.2
C62	4030017650	S.CER ECJ0EC1H270J	T	81.2/41.5
C65	4030017460	S.CER ECJ0EB1E102K	T	28.7/9.9
C66	4550006250	S.TAN TEESVA 1A 106M8R	T	30.7/6.9
C67	4030017460	S.CER ECJ0EB1E102K	T	26.4/6.3
C68	4030017460	S.CER ECJ0EB1E102K	T	30.5/9
C69	4030017460	S.CER ECJ0EB1E102K	T	32.6/15.4
C70	4030017420	S.CER ECJ0EC1H470J	B	30.6/14.3
C71	4030016940	S.CER ECJ0EB1A393K	B	92.9/7.8
C72	4030018860	S.CER ECJ0EB0J105K	B	50.9/11
C73	4030017750	S.CER ECJ0EB1E122K	B	50.3/17.7
C74	4030016930	S.CER ECJ0EB1A104K	B	52/17.7
C75	4030016930	S.CER ECJ0EB1A104K	B	55.9/12.6
C77	4030017460	S.CER ECJ0EB1E102K	B	53.1/12.7
C78	4030017460	S.CER ECJ0EB1E102K	B	53.3/8.6
C79	4550006250	S.TAN TEESVA 1A 106M8R	B	50.1/33.1
C80	4030017770	S.CER ECJ0EB1E332K	B	82.6/43.3
C81	4550000560	S.TAN TEESVA 1V 324M8R	B	84.4/41.1
C82	4030017460	S.CER ECJ0EB1E102K	B	80.3/30.7
C83	4550000270	S.TAN TEESVA 1E 474M8R	B	84.4/35.9
C84	4030017460	S.CER ECJ0EB1E102K	B	83.2/49.6
C85	4030017350	S.CER ECJ0EC1H020B	T	55.2/45.4
C87	4030017340	S.CER ECJ0EC1H010B	T	53.9/42.8
C88	4030017530	S.CER ECJ0EC1HOR5B	T	55.2/42.3
C89	4030017550	S.CER ECJ0EC1H1R5B	[USA-01] [EXP-01] [EUR-01] [USA-02] [EXP-02]	53.9/41.8
C91	4030016790	S.CER ECJ0EB1C103K	T	27.3/17.3
C92	4030017460	S.CER ECJ0EB1E102K	T	24.6/20.3
C93	4030017680	S.CER ECJ0EC1H820J	T	32.6/12.5
C94	4030017460	S.CER ECJ0EB1E102K	B	30.5/12.5
C95	4030016790	S.CER ECJ0EB1C103K	T	28.8/19.3
C96	4030016930	S.CER ECJ0EB1A104K	B	32.7/6.1
C97	4030016930	S.CER ECJ0EB1A104K	B	29.8/9.4
C98	4030016930	S.CER ECJ0EB1A104K	B	89.3/7.4
C99	4030016930	S.CER ECJ0EB1A104K	B	90.8/14.6
C100	4030016930	S.CER ECJ0EB1A104K	T	86.1/15.6
C101	4030017710	S.CER ECJ0EC1H181J	T	83.9/7.5
C102	4030016930	S.CER ECJ0EB1A104K	T	106.7/34.7
C103	4030016930	S.CER ECJ0EB1A104K	B	55.3/19.5
C104	4550000270	S.TAN TEESVA 1E 474M8R	B	76.6/32.9
C105	4030017420	S.CER ECJ0EC1H470J	T	74.2/41.3
C107	4030016930	S.CER ECJ0EB1A104K	B	72.9/43.4
C110	4030017420	S.CER ECJ0EC1H470J	B	74.2/34.8
C111	4030016930	S.CER ECJ0EB1A104K	B	73.9/28.3
C112	4030017460	S.CER ECJ0EB1E102K	T	73/27.4
C113	4030017420	S.CER ECJ0EC1H470J	T	74.2/28.3
C114	4030016790	S.CER ECJ0EB1C103K	T	24.2/21.3
C115	4030016790	S.CER ECJ0EB1C103K	T	22.5/21.3
C116	4030016790	S.CER ECJ0EB1C103K	T	26.6/22.5
C119	4030017640	S.CER ECJ0EC1H150J	T	20.3/27.9
C120	4030016790	S.CER ECJ0EB1C103K	T	32.2/22.5
C123	4030017390	S.CER ECJ0EC1H180J	T	40/28
C124	4030016930	S.CER ECJ0EB1A104K	B	90.8/17.4
C126	4030016930	S.CER ECJ0EB1A104K	T	82.7/21.2
C128	4030016930	S.CER ECJ0EB1A104K	T	80/20.2
C129	4030016930	S.CER ECJ0EB1A104K	B	63.7/16
C130	4030016930	S.CER ECJ0EB1A104K	B	134.8/16.8
C131	4030017660	S.CER ECJ0EC1H330J	B	137.5/23.8
C132	4030017660	S.CER ECJ0EC1H330J	B	137.5/18.8
C133	4030017580	S.CER ECJ0EC1H060C	[USA-01] [EXP-01] [EXP-01] [USA-02] [EXP-02]	69/43.9
C134	4030017580	S.CER ECJ0EC1H060C	[USA-01] [EXP-01] [EUR-01] [USA-02] [EXP-02]	70.3/37.4
C135	4030017590	S.CER ECJ0EC1H070C	T	69/43.4
C136	4030017460	S.CER ECJ0EB1E102K	B	84.1/27.8
C137	4030017670	S.CER ECJ0EC1H390J	T	70.3/30
C138	4030017670	S.CER ECJ0EC1H390J	[USA-01] [EXP-01] [EUR-01] [USA-02] [EXP-02]	
C138	4030017630	S.CER ECJ0EC1H120J	[USA-01] [EXP-01] [EUR-01] [USA-02] [EXP-02]	
C138	4030017640	S.CER ECJ0EC1H150J	[USA-01] [EXP-01] [EUR-01] [USA-02] [EXP-02]	69/30.9
C138	4030017620	S.CER ECJ0EC1H100C	[USA-01] [EXP-01] [EUR-01] [USA-02] [EXP-02]	
C139	4030017630	S.CER ECJ0EC1H120J	[USA-01] [EXP-01] [EUR-01] [USA-02] [EXP-02]	70.3/36.5
C139	4030017630	S.CER ECJ0EC1H120J	[USA-01] [EXP-01] [EUR-01] [USA-02] [EXP-02]	
C139	4030017630	S.CER ECJ0EC1H100C	[USA-01] [EXP-01] [EUR-01] [USA-02] [EXP-02]	
C140	4030017460	S.CER ECJ0EB1E102K	T	73/40.4
C141	4030017460	S.CER ECJ0EB1E102K	T	73/33.9
C142	4030018860	S.CER ECJ0EB0J105K	T	90.1/10.7
C143	4030017340	S.CER ECJ0EC1H010B	T	64.7/31.3
C145	4030016790	S.CER ECJ0EB1C103K	T	27.8/35.2
C147	4030016790	S.CER ECJ0EB1C103K	T	35.1/35.2
C148	4030016790	S.CER ECJ0EB1C103K	T	29.9/33.9
C149	4030016930	S.CER ECJ0EB1A104K	B	76.5/18.7
C150	4030018560	S.CER C2012 JB 1A 475K-T	B	89/22
C151	4030016930			

[MAIN UNIT] (For IC-F6060 series)

REF NO.	ORDER NO.	DESCRIPTION	M.	H/V LOCATION
C158	4030017430	S.CER ECJ0EC1H101J	T	108.5/36.7
C159	4030017460	S.CER ECJ0EB1E102K	B	118.5/9.4
C160	4030017460	S.CER ECJ0EB1E102K	B	130.6/25.4
C161	4030017610	S.CER ECJ0EC1H090C [USA-01]	T	64.2/43
	4030017610	S.CER ECJ0EC1H090C [EXP-01]		
	4030017610	S.CER ECJ0EC1H090C [EUR-01]		
	4030017620	S.CER ECJ0EC1H100C [USA-02]		
	4030017620	S.CER ECJ0EC1H100C [EXP-02]		
C162	4030017380	S.CER ECJ0EC1H050B [USA-01]	T	68.6/45.2
	4030017380	S.CER ECJ0EC1H050B [EXP-01]		
	4030017380	S.CER ECJ0EC1H050B [EUR-01]		
	4030017620	S.CER ECJ0EC1H100C [USA-02]		
	4030017620	S.CER ECJ0EC1H100C [EXP-02]		
C163	4030017640	S.CER ECJ0EC1H150J [USA-01]	T	64.2/36.5
	4030017640	S.CER ECJ0EC1H150J [EXP-01]		
	4030017640	S.CER ECJ0EC1H150J [EUR-01]		
	4030017390	S.CER ECJ0EC1H180J [USA-02]		
	4030017390	S.CER ECJ0EC1H180J [EXP-02]		
C164	4030017380	S.CER ECJ0EC1H050B [USA-01]	T	61.6/44.8
	4030017380	S.CER ECJ0EC1H050B [EXP-01]		
	4030017380	S.CER ECJ0EC1H050B [EUR-01]		
	4030017570	S.CER ECJ0EC1H040B [USA-02]		
	4030017570	S.CER ECJ0EC1H040B [EXP-02]		
C165	4030017630	S.CER ECJ0EC1H120J [USA-01]	T	60.3/45.2
	4030017630	S.CER ECJ0EC1H120J [EXP-01]		
	4030017630	S.CER ECJ0EC1H120J [EUR-01]		
	4030017620	S.CER ECJ0EC1H100C [USA-02]		
	4030017620	S.CER ECJ0EC1H100C [EXP-02]		
C166	4030017380	S.CER ECJ0EC1H050B [USA-01]	T	68.6/38.7
	4030017380	S.CER ECJ0EC1H050B [EXP-01]		
	4030017380	S.CER ECJ0EC1H050B [EUR-01]		
	4030017580	S.CER ECJ0EC1H060C [USA-02]		
	4030017580	S.CER ECJ0EC1H060C [EXP-02]		
C167	4030017640	S.CER ECJ0EC1H150J	T	64.2/30
C168	4030017630	S.CER ECJ0EC1H120J [USA-01]	T	61.6/38.3
	4030017630	S.CER ECJ0EC1H120J [EXP-01]		
	4030017630	S.CER ECJ0EC1H120J [EUR-01]		
	4030017610	S.CER ECJ0EC1H090C [USA-02]		
	4030017610	S.CER ECJ0EC1H090C [EXP-02]		
C169	4030017640	S.CER ECJ0EC1H150J [USA-01]	T	60.3/38.7
	4030017640	S.CER ECJ0EC1H150J [EXP-01]		
	4030017640	S.CER ECJ0EC1H150J [EUR-01]		
	4030017390	S.CER ECJ0EC1H180J [USA-02]		
	4030017390	S.CER ECJ0EC1H180J [EXP-02]		
C170	4030017340	S.CER ECJ0EC1H010B	T	65.6/31.3
C171	4030017570	S.CER ECJ0EC1H040B [USA-01]	T	68.6/32.2
	4030017570	S.CER ECJ0EC1H040B [EXP-01]		
	4030017570	S.CER ECJ0EC1H040B [EUR-01]		
	4030017560	S.CER ECJ0EC1H2R5B [USA-02]		
	4030017560	S.CER ECJ0EC1H2R5B [EXP-02]		
C172	4030017600	S.CER ECJ0EC1H080C [USA-01]	T	61.6/31.8
	4030017600	S.CER ECJ0EC1H080C [EXP-01]		
	4030017600	S.CER ECJ0EC1H080C [EUR-01]		
	4030017570	S.CER ECJ0EC1H040B [USA-02]		
	4030017570	S.CER ECJ0EC1H040B [EXP-02]		
C173	4030017620	S.CER ECJ0EC1H100C [USA-01]	T	60.2/32.2
	4030017620	S.CER ECJ0EC1H100C [EXP-01]		
	4030017620	S.CER ECJ0EC1H100C [EUR-01]		
	4030017580	S.CER ECJ0EC1H060C [USA-02]		
	4030017580	S.CER ECJ0EC1H060C [EXP-02]		
C174	4030017640	S.CER ECJ0EC1H150J	T	38.1/37.2
C175	4030016790	S.CER ECJ0EB1C103K	B	41.4/39.4
C176	4030016930	S.CER ECJ0EB1A104K	B	41.2/32.8
C177	4030017730	S.CER ECJ0EB1E471K	B	42.1/32.8
C178	4030016790	S.CER ECJ0EB1C103K	B	34.6/32.9
C180	4030017740	S.CER ECJ0EB1E821K	T	108.8/47.5
C181	4030016930	S.CER ECJ0EB1A104K	T	111.5/43.6
C182	4030016780	S.CER ECJ0EB1C153K	T	112/39.9
C183	4030017420	S.CER ECJ0EC1H470J	T	103.8/44.5
C184	4030017760	S.CER ECJ0EB1H222K	T	105.4/47.5
C185	4030017690	S.CER ECJ0EC1H121J	T	107.1/47.5
C186	4030016930	S.CER ECJ0EB1A104K	T	62.6/40.9
C187	4030017460	S.CER ECJ0EB1E102K	T	63.5/40.9
C188	4030016790	S.CER ECJ0EB1C103K	T	62.6/34.4
C189	4030017460	S.CER ECJ0EB1E102K	T	63.5/34.4
C190	4030017530	S.CER ECJ0EC1H0R5B	T	58.6/42.7
C191	4030016790	S.CER ECJ0EB1C103K	T	62.6/27.9
C192	4030017520	S.CER ECJ0EC1H0R3B [USA-01]	T	58.6/36.2
	4030017520	S.CER ECJ0EC1H0R3B [EXP-01]		
	4030017520	S.CER ECJ0EC1H0R3B [EUR-01]		
	4030017530	S.CER ECJ0EC1H0R5B [USA-02]		
	4030017530	S.CER ECJ0EC1H0R5B [EXP-02]		
C193	4030017460	S.CER ECJ0EB1E102K	T	63.5/27.9
C194	4030017530	S.CER ECJ0EC1H0R5B	T	58.9/31.8
C195	4030016930	S.CER ECJ0EB1A104K	B	40.3/30.2
C196	4030017730	S.CER ECJ0EB1E471K	B	38.7/33.2
C197	4030016930	S.CER ECJ0EB1A104K	B	38.7/32.3
C198	4030017730	S.CER ECJ0EB1E471K	B	31.3/38.3
C199	4030016930	S.CER ECJ0EB1A104K	B	31.3/39.2
C200	4030016930	S.CER ECJ0EB1A104K	B	31.3/34.1
C201	4030017730	S.CER ECJ0EB1E471K	B	31.3/35.9
C202	4030017460	S.CER ECJ0EB1E102K	T	112/38.9
C203	4030017460	S.CER ECJ0EB1E102K	B	100.5/47.4
C204	4030017420	S.CER ECJ0EC1H470J	B	66.4/33.1
C205	4030018900	S.CER ECJ0EB0J474K	T	79.6/19.3
C206	4030016930	S.CER ECJ0EB1A104K	T	78.5/16.7
C207	4030017730	S.CER ECJ0EB1E471K	T	54.2/27.8
C208	4030017460	S.CER ECJ0EB1E102K	T	55.3/32.2
C209	4030017460	S.CER ECJ0EB1E102K	B	53.6/35.9
C210	4030017380	S.CER ECJ0EC1H050B	T	52.7/33.4
C211	4030017580	S.CER ECJ0EC1H060C	T	54.7/34.9
C212	4030017420	S.CER ECJ0EC1H470J	B	53.9/38
C213	4030017460	S.CER ECJ0EB1E102K	B	55.8/42.5
C214	4030017460	S.CER ECJ0EB1E102K	B	58.6/34.7

[MAIN UNIT] (For IC-F6060 series)

REF NO.	ORDER NO.	DESCRIPTION	M.	H/V LOCATION
C215	4030017580	S.CER ECJ0EC1H060C [USA-01]	B	39.5/44.6
	4030017580	S.CER ECJ0EC1H060C [EXP-01]		
	4030017580	S.CER ECJ0EC1H060C [EUR-01]		
	4030017620	S.CER ECJ0EC1H100C [USA-02]		
	4030017620	S.CER ECJ0EC1H100C [EXP-02]		
C216	4030017630	S.CER ECJ0EC1H120J [USA-01]	B	41.5/44.6
	4030017630	S.CER ECJ0EC1H120J [EXP-01]		
	4030017630	S.CER ECJ0EC1H120J [EUR-01]		
	4030017390	S.CER ECJ0EC1H180J [USA-02]		
	4030017390	S.CER ECJ0EC1H180J [EXP-02]		
C217	4030017730	S.CER ECJ0EB1E471K	B	25.4/33.2
C218	4030016930	S.CER ECJ0EB1A104K	B	23.8/33.2
C219	4030017570	S.CER ECJ0EC1H040B [USA-01]	B	22.7/36.5
	4030017570	S.CER ECJ0EC1H040B [EXP-01]		
	4030017570	S.CER ECJ0EC1H040B [EUR-01]		
C220	4030017550	S.CER ECJ0EC1H1R5B	B	22.2/37.7
C221	4030016930	S.CER ECJ0EB1A104K	B	5.6/23.2
C222	4030017030	S.CER ECJ0EB1A273K	B	128.7/45.9
C223	4030016930	S.CER ECJ0EB1A104K	B	123.5/43.9
C224	4030017640	S.CER ECJ0EC1H150J	T	123/39.9
C225	4030016790	S.CER ECJ0EB1C103K	T	125/36.8
C226	4030017580	S.CER ECJ0EC1H060C	T	123.4/40.8
C227	4030017460	S.CER ECJ0EB1E102K	B	48/35
C228	4030017460	S.CER ECJ0EB1E102K [USA-01]	T	49.4/37.2
	4030017460	S.CER ECJ0EB1E102K [EXP-01]		
	4030017460	S.CER ECJ0EB1E102K [EUR-01]		
	4030017420	S.CER ECJ0EC1H470J [USA-02]		
	4030017420	S.CER ECJ0EC1H470J [EXP-02]		
C229	4030017620	S.CER ECJ0EC1H100C [USA-01]	B	50.8/40.8
	4030017620	S.CER ECJ0EC1H100C [EXP-01]		
	4030017620	S.CER ECJ0EC1H100C [EUR-01]		
	4030017570	S.CER ECJ0EC1H040B [USA-02]		
	4030017570	S.CER ECJ0EC1H040B [EXP-02]		
C230	4030017460	S.CER ECJ0EB1E102K	B	48.8/49.7
C231	4030017340	S.CER ECJ0EC1H010B	B	51.5/44.8
C232	4030017460	S.CER ECJ0EB1E102K	T	55.2/40.6
C234	4030017370	S.CER ECJ0EC1H3R5B	B	50.8/49.7
C235	4030017460	S.CER ECJ0EB1E102K	B	45.8/42.9
C236	4030017580	S.CER ECJ0EC1H060C [USA-01]	B	44.2/44.6
	4030017580	S.CER ECJ0EC1H060C [EXP-01]		
	4030017580	S.CER ECJ0EC1H060C [EUR-01]		
	4030017620	S.CER ECJ0EC1H100C [USA-02]		
	4030017620	S.CER ECJ0EC1H100C [EXP-02]		
C237	4030017620	S.CER ECJ0EC1H100C [USA-01]	B	45.1/46
	4030017620	S.CER ECJ0EC1H100C [EXP-01]		
	4030017620	S.CER ECJ0EC1H100C [EUR-01]		
	4030017400	S.CER ECJ0EC1H220J [USA-02]		
	4030017400	S.CER ECJ0EC1H220J [EXP-02]		
C239	4030017350	S.CER ECJ0EC1H020B [USA-01]	B	12.9/35.7
	4030017350	S.CER ECJ0EC1H020B [EXP-01]		
	4030017550	S.CER ECJ0EC1H1R5B [EUR-01]		
	4030017350	S.CER ECJ0EC1H020B [USA-02]		
	4030017350	S.CER ECJ0EC1H020B [EXP-02]		
C240	4030017610	S.CER ECJ0EC1H090C [USA-01]	B	14/34.4
	4030017610	S.CER ECJ0EC1H090C [EXP-01]		
	4030017610	S.CER ECJ0EC1H090C [EUR-01]		
	4030017600	S.CER ECJ0EC1H080C [USA-02]		
	4030017600	S.CER ECJ0EC1H080C [EXP-02]		
C241	4030017520	S.CER ECJ0EC1H0R3B [USA-01]	B	17.1/37.7
	4030017520	S.CER ECJ0EC1H0R3B [EXP-01]		
	4030017530	S.CER ECJ0EC1H0R5B [EUR-01]		
	4030017520	S.CER ECJ0EC1H0R3B [USA-02]		
	4030017520	S.CER ECJ0EC1H0R3B [EXP-02]		
C242	4030017610	S.CER ECJ0EC1H090C [USA-01]	B	10.2/34.4
	4030017610	S.CER ECJ0EC1H090C [EXP-01]		
	4030017610	S.CER ECJ0EC1H090C [EUR-01]		
	4030017600	S.CER ECJ0EC1H080C [USA-02]		
	4030017600	S.CER ECJ0EC1H080C [EXP-02]		
C243	4030017460	S.CER ECJ0EB1E102K	B	15.4/32.2
C244	4030017460	S.CER ECJ0EB1E102K	B	9.7/31.4
C245	4550006780	S.TAN TEESVB2 0J 476M8R	B	5.6/18.7
C246	4030016930	S.CER ECJ0EB1A104K	B	104.2/52.7
C247	4030016930	S.CER ECJ0EB1A104K	B	106/54.6
C248	4030016930	S.CER ECJ0EB1A104K	B	107.6/52.4
C249	4030018900	S.CER ECJ0EB0J474K	B	121/47.2
C250	4030017630	S.CER ECJ0EC1H120J	T	120.4/39.9
C251	4030017380	S.CER ECJ0EC1H050B [USA-01]	B	66.3/65.9
	4030017380	S.CER ECJ0EC1H050B [EXP-01]		
	4030017380	S.CER ECJ0EC1H050B [EUR-01]		
	4030017370	S.CER ECJ0EC1H3R5B [USA-02]		
	4030017370	S.CER ECJ0EC1H3R5B [EXP-02]		
C252	4030017420	S.CER ECJ0EC1H470J	B	61/66.2
C253	4030017730	S.CER ECJ0EB1E471K	B	65.1/70.5
C254	4030017420	S.CER ECJ0EC1H470J	B	69.9/71.1
C255	4030017420	S.CER ECJ0EC1H470J	B	63.2/65
C257	4030017530	S.CER ECJ0EC1H0R5B [USA-01]	B	70.2/66.9
	4030017530	S.CER ECJ0EC1H0R5B [EXP-01]		
	4030017530	S.CER ECJ0EC1H0R5B [EUR-01]		
	4030017520	S.CER ECJ0EC1H0R3B [USA-02]		
	4030017520	S.CER ECJ0EC1H0R3B [EXP-02]		
C258	4030017460	S.CER ECJ0EB1E102K	B	6.5/33.5
C259	4030017460	S.CER ECJ0EB1E102K	B	16.4/42.4
C260	4030017530	S.CER ECJ0EC1H0R5B [USA-01]	B	9.5/35.7
	4030017530	S.CER ECJ0EC1H0R5B [EXP-01]		
	4030017340	S.CER ECJ0EC1H010B [USA-02]		
	4030017340	S.CER ECJ0EC1H010B [EXP-02]		
C261	4030017460	S.CER ECJ0EB1E102K	B	8.1/34.4
C262	4030017460	S.CER ECJ0EB1E102K	B	9/36.9
C263	4030016790			

[MAIN UNIT] (For IC-F6060 series)

REF NO.	ORDER NO.	DESCRIPTION	M.	H/V LOCATION		
C270	4030017580	S.CER ECJ0EC1H060C [USA-01]	B	71.1/70.5		
	4030017580	S.CER ECJ0EC1H060C [EXP-01]				
	4030017580	S.CER ECJ0EC1H060C [EUR-01]				
	4030017570	S.CER ECJ0EC1H040B [USA-02]				
C271	4030017570	S.CER ECJ0EC1H040B [EXP-02]		12.1/36.9		
	4030017520	S.CER ECJ0EC1H0R3B [USA-01]	B			
	4030017520	S.CER ECJ0EC1H0R3B [EXP-01]				
	4030017530	S.CER ECJ0EC1H0R5B [EUR-01]				
	4030017520	S.CER ECJ0EC1H0R3B [USA-02]				
C272	4030016930	S.CER ECJ0EB1A104K	B	12.2/43.3		
	4030016930	S.CER ECJ0EB1A104K	T	12.8/40.8		
C274	4030017460	S.CER ECJ0EB1E102K	B	3.9/41		
C275	4030017420	S.CER ECJ0EC1H470J	B	13.5/39.1		
C276	4030017590	S.CER ECJ0EC1H070C	B	10.4/9.1		
C277	4030017460	S.CER ECJ0EB1E102K	T	13.5/39.1		
C278	4030017590	S.CER ECJ0EC1H070C [USA-01]	B	9.5/43.2		
	4030017590	S.CER ECJ0EC1H070C [EXP-01]				
C279	4030017600	S.CER ECJ0EC1H080C [EUR-01]		6.7/45.2		
	4030017600	S.CER ECJ0EC1H080C [USA-02]				
	4030017600	S.CER ECJ0EC1H080C [EXP-02]				
	4030017410	S.CER ECJ0EC1H240J [USA-01]	B			
	4030017410	S.CER ECJ0EC1H240J [EXP-01]				
	4030017410	S.CER ECJ0EC1H240J [EUR-01]				
	4030017390	S.CER ECJ0EC1H180J [USA-02]				
	4030017390	S.CER ECJ0EC1H180J [EXP-02]				
	4030017560	S.CER ECJ0EC1H2R5B	B		10/46.8	
	4030017420	S.CER ECJ0EC1H470J	T		95.5/35.9	
	C282	4030017420	S.CER ECJ0EC1H470J		T	102.2/41.1
	C283	4030017420	S.CER ECJ0EC1H470J		B	95.8/47
C284	4030017420	S.CER ECJ0EC1H470J	T	97.8/37.2		
C285	4030017420	S.CER ECJ0EC1H470J	B	94.9/44.7		
C286	4030017420	S.CER ECJ0EC1H470J	T	93.8/44.7		
C287	4030017420	S.CER ECJ0EC1H470J	T	93.8/40		
C288	4030017460	S.CER ECJ0EB1E102K	B	4.1/47.4		
C289	4030017610	S.CER ECJ0EC1H090C [USA-01]	B	18.8/34.4		
	4030017610	S.CER ECJ0EC1H090C [EXP-01]				
	4030017610	S.CER ECJ0EC1H090C [EUR-01]				
	4030017600	S.CER ECJ0EC1H080C [USA-02]				
	4030017600	S.CER ECJ0EC1H080C [EXP-02]				
	4030017580	S.CER ECJ0EC1H060C [USA-01]	T		73.9/75.6	
	4030017580	S.CER ECJ0EC1H060C [EXP-01]				
	4030017580	S.CER ECJ0EC1H060C [EUR-01]				
	4030017570	S.CER ECJ0EC1H040B [USA-02]				
	4030017570	S.CER ECJ0EC1H040B [EXP-02]				
	C291	4030017730	S.CER ECJ0EB1E471K		T	69.2/76.6
	C294	4030017420	S.CER ECJ0EC1H470J		B	70.3/76.6
C295	4030017420	S.CER ECJ0EC1H470J	B	58.4/69.9		
C297	4030017460	S.CER ECJ0EB1E102K	B	58.4/67.9		
C299	4030017410	S.CER ECJ0EC1H240J [USA-01]	B	6.7/48.4		
	4030017410	S.CER ECJ0EC1H240J [EXP-01]				
	4030017410	S.CER ECJ0EC1H240J [EUR-01]				
	4030017390	S.CER ECJ0EC1H180J [USA-02]				
	4030017390	S.CER ECJ0EC1H180J [EXP-02]				
	4030017590	S.CER ECJ0EC1H070C [USA-01]	B		9.5/50.4	
	4030017590	S.CER ECJ0EC1H070C [EXP-01]				
	4030017590	S.CER ECJ0EC1H070C [EUR-01]				
	4030017600	S.CER ECJ0EC1H080C [USA-02]				
	4030017600	S.CER ECJ0EC1H080C [EXP-02]				
	C301	4030017590	S.CER ECJ0EC1H070C		B	11.7/48.8
	C302	4030017460	S.CER ECJ0EB1E102K		B	4.1/44.7
C303	4030016930	S.CER ECJ0EB1A104K	B	127.6/31.4		
C304	4030017420	S.CER ECJ0EC1H470J	T	90.5/43		
C305	4030011050	S.CER GRM31M3C2H3R0CY21L (GRM42-6 CJ) [USA-01]	T	27.6/79.2		
	4030011050	S.CER GRM31M3C2H3R0CY21L (GRM42-6 CJ) [EXP-01]				
C306	4030011040	S.CER GRM31M4C2H2R0CY21L (GRM42-6 CK) [USA-01]	T	25.6/76.6		
	4030011050	S.CER GRM31M3C2H3R0CY21L (GRM42-6 CJ) [EXP-01]				
C307	4030011050	S.CER GRM31M3C2H3R0CY21L (GRM42-6 CJ) [EUR-01]		25.6/73.8		
	4030011030	S.CER GRM31M4C2H1R5CY21L (GRM42-6 CK) [USA-02]				
	4030011030	S.CER GRM31M4C2H1R5CY21L (GRM42-6 CK) [EXP-02]				
	4030011040	S.CER GRM31M4C2H2R0CY21L (GRM42-6 CK) [USA-01]	T			
	4030011040	S.CER GRM31M4C2H2R0CY21L (GRM42-6 CK) [EXP-01]				
	4030011040	S.CER GRM31M4C2H2R0CY21L (GRM42-6 CK) [EUR-01]				
	4030011040	S.CER GRM31M4C2H2R0CY21L (GRM42-6 CK) [USA-02]				
	4030011020	S.CER GRM31M4C2H1R0CY21L (GRM42-6 CK) [EXP-02]				
	C308	4030011050	S.CER GRM31M3C2H3R0CY21L (GRM42-6 CJ) [USA-01]		T	27.6/71.2
		4030011040	S.CER GRM31M4C2H2R0CY21L (GRM42-6 CK) [EXP-01]			
		4030011040	S.CER GRM31M4C2H2R0CY21L (GRM42-6 CK) [EUR-01]			
		4030011040	S.CER GRM31M4C2H2R0CY21L (GRM42-6 CK) [USA-02]			
4030011020		S.CER GRM31M4C2H1R0CY21L (GRM42-6 CK) [EXP-02]				
C309	4030017460	S.CER ECJ0EB1E102K	T	71.4/76.6		
C310	4030017420	S.CER ECJ0EC1H470J	T	43.9/76.6		
C311	4030017460	S.CER ECJ0EB1E102K	T	45/76.6		
C312	4030017730	S.CER ECJ0EB1E471K	T	46.1/76.6		
C313	4510008680	S.ELE EEE1EA220SP	T	51.8/83		
C314	4030017420	S.CER ECJ0EC1H470J	B	33.4/66.3		
C315	4030017460	S.CER ECJ0EB1E102K	B	57.6/63.6		
C316	4030016790	S.CER ECJ0EB1C103K	B	55.9/64.5		
C317	4030016970	S.CER ECJ0EB1C223K	B	55.8/70.1		

[MAIN UNIT] (For IC-F6060 series)

REF NO.	ORDER NO.	DESCRIPTION	M.	H/V LOCATION		
C318	4030017460	S.CER ECJ0EB1E102K [USA-01]	T	34.9/66.7		
C319	4030017460	S.CER ECJ0EB1E102K [USA-02]		45.3/66.9		
	4030017460	S.CER ECJ0EB1E102K [USA-01]	B			
C320	4030017460	S.CER ECJ0EB1E102K [USA-02]		13.9/52.1		
	4030017510	S.CER ECJ0EC1H680J	B			
C321	4030017460	S.CER ECJ0EB1E102K	B	16.5/48.8		
C322	4030017350	S.CER ECJ0EC1H020B [USA-01]	B	21.2/51.2		
	4030017350	S.CER ECJ0EC1H020B [EXP-01]				
	4030017350	S.CER ECJ0EC1H020B [EUR-01]				
	4030017530	S.CER ECJ0EC1H0R5B [USA-02]				
	4030017530	S.CER ECJ0EC1H0R5B [EXP-02]				
	4030017420	S.CER ECJ0EC1H470J	T		90.1/41.7	
	C324	4030017460	S.CER ECJ0EB1E102K		T	73.2/67.6
	C325	4030017420	S.CER ECJ0EC1H470J		B	40.5/67.3
C326	4030017460	S.CER ECJ0EB1E102K	B	83.9/79.3		
C327	4030017420	S.CER ECJ0EC1H470J	B	82.9/79.3		
C328	4030017400	S.CER ECJ0EC1H220J	B	81.9/79.3		
C329	4510008540	S.ELE EEE1CA100SR	T	96.7/53.9		
C330	4510008540	S.ELE EEE1CA100SR	T	60.6/55.1		
C331	4510008540	S.ELE EEE1CA100SR	T	53.5/66.1		
C332	4030017780	S.CER ECJ0EB1E472K	B	50.8/70.2		
C333	4030017460	S.CER ECJ0EB1E102K	B	48.7/69.4		
C334	4030011030	S.CER GRM31M4C2H1R5CY21L (GRM42-6 CK) [EXP-01]	T	14.3/56.9		
	4030011030	S.CER GRM31M4C2H1R5CY21L (GRM42-6 CK) [EUR-01]				
C337	4030017600	S.CER ECJ0EC1H080C [USA-01]	B	28.2/53.7		
	4030017600	S.CER ECJ0EC1H080C [EXP-01]				
	4030017600	S.CER ECJ0EC1H080C [EUR-01]				
	4030017380	S.CER ECJ0EC1H050B [USA-02]				
	4030017380	S.CER ECJ0EC1H050B [EXP-02]				
C338	4510008540	S.ELE EEE1CA100SR	T	79.1/69.1		
C339	4030017460	S.CER ECJ0EB1E102K	T	79.1/62.1		
C340	4030017460	S.CER ECJ0EB1E102K	T	63.5/55.5		
C341	4030016790	S.CER ECJ0EB1C103K	T	68.1/52.3		
C342	4030017200	S.CER GRM31BR32J102KY01L (GHM1030 R)	T	26.8/61.7		
	4030011050	S.CER GRM31M3C2H3R0CY21L (GRM42-6 CJ) [USA-01]	T		23/63.3	
C343	4030011050	S.CER GRM31M3C2H3R0CY21L (GRM42-6 CJ) [EXP-01]		20.9/63.3		
	4030011050	S.CER GRM31M3C2H3R0CY21L (GRM42-6 CJ) [EUR-01]				
C344	4030011040	S.CER GRM31M4C2H2R0CY21L (GRM42-6 CK) [USA-02]		18.3/58.5		
	4030011040	S.CER GRM31M4C2H2R0CY21L (GRM42-6 CK) [EXP-02]				
C345	4030011050	S.CER GRM31M3C2H3R0CY21L (GRM42-6 CJ) [USA-01]	T	18.3/58.5		
	4030011060	S.CER GRM31M2C2H4R0CY21L (GRM42-6 CH) [EXP-01]				
C346	4030011060	S.CER GRM31M2C2H4R0CY21L (GRM42-6 CH) [EUR-01]		10.3/61.7		
	4030011050	S.CER GRM31M3C2H3R0CY21L (GRM42-6 CJ) [USA-02]				
C347	4030011070	S.CER GRM31M2C2H5R0CY21L (GRM42-6 CH) [EXP-02]		12.9/65.2		
	4030011060	S.CER GRM31M2C2H4R0CY21L (GRM42-6 CH) [USA-01]	T			
C348	4030017520	S.CER ECJ0EC1H0R3B	T	34.3/58.3		
C349	4030017460	S.CER ECJ0EB1E102K	B	33.7/61.7		
C350	4030011060	S.CER GRM31M2C2H4R0CY21L (GRM42-6 CH) [EXP-01]	T	39.6/71.7		
C351	4030011070	S.CER GRM31M2C2H5R0CY21L (GRM42-6 CH) [USA-01]	T	10.3/61.7		
	4030011070	S.CER GRM31M2C2H5R0CY21L (GRM42-6 CH) [EXP-01]				
C352	4030011060	S.CER GRM31M2C2H4R0CY21L (GRM42-6 CH) [EUR-01]		110.8/66.5		
	4030011070	S.CER GRM31M2C2H5R0CY21L (GRM42-6 CH) [EXP-01]				
C353	4550006250	S.TAN TEESVA 1A 106M8R	B	124.6/59.7		
C354	4550006250	S.TAN TEESVA 1A 106M8R	B	124/61.3		
C355	4030017420	S.CER ECJ0EC1H470J	B	112.9/61.7		
C356	4030011070	S.CER GRM31M2C2H5R0CY21L (GRM42-6 CH) [USA-01]	T	112.6/60.1		
C357	4030011070	S.CER GRM31M2C2H5R0CY21L (GRM42-6 CH) [EXP-01]		15.7/65.2		
	4030011070	S.CER GRM31M2C2H5R0CY21L (GRM42-6 CH) [EUR-01]				
C358	4030011060	S.CER GRM31M2C2H4R0CY21L (GRM42-6 CH) [USA-01]	T	4.2/63.3		
	4030011060	S.CER GRM31M2C2H4R0CY21L (GRM42-6 CH) [EXP-01]				
C359	4030011060	S.CER GRM31M2C2H4R0CY21L (GRM42-6 CH) [EUR-01]		11.8/66.5		
C360	4030011030	S.CER GRM31M4C2H1R5CY21L (GRM42-6 CK) [USA-02]	B	124.6/59.7		
C361	4030011030	S.CER GRM31M4C2H1R5CY21L (GRM42-6 CK) [EXP-02]	B	124/61.3		
C362	4030009530	S.CER C1608 CH 1H 030B-T	B	112.9/61.7		
C363	4030006860	S.CER C1608 JB 1H 102K-T	B	112.6/60.1		
C364	4030017460	S.CER ECJ0EB1E102K	B	112.6/60.1		
C365	4030017460	S.CER ECJ0EB1E102K	T	15.7/65.2		

M.=Mounted side (T: Mounted on the Top side, B: Mounted on the Bottom side) S.=Surface mount

[MAIN UNIT] (For IC-F6060 series)

REF NO.	ORDER NO.	DESCRIPTION	M.	H/V LOCATION
C362	4030017460	S.CER ECJ0EB1E102K	T	106.3/21.1
C363	4510008540	S.ELE EEE1CA100SR	T	139.1/31.9
C365	4550007650	S.TAN F931V105MAABMA	B	107.7/65.1
C366	4550007650	S.TAN F931V105MAABMA	B	105.6/65.1
C367	4550007650	S.TAN F931V105MAABMA	B	103.5/65.1
C368	4550007650	S.TAN F931V105MAABMA	B	101.4/65.1
C369	4030011070	S.CER GRM31M2C2H5R0CY21L (GRM42-6 CH)	T	15.3/81.1
C370	4030011050	S.CER GRM31M3C2H3R0CY21L (GRM42-6 CJ) [USA-01]	T	5.3/81.1
	4030011060	S.CER GRM31M2C2H4R0CY21L (GRM42-6 CH) [EXP-01]		
	4030011060	S.CER GRM31M2C2H4R0CY21L (GRM42-6 CH) [EUR-01]		
	4030011040	S.CER GRM31M4C2H2R0CY21L (GRM42-6 CK) [USA-02]		
	4030011040	S.CER GRM31M4C2H2R0CY21L (GRM42-6 CK) [EXP-02]		
C371	4030017460	S.CER ECJ0EB1E102K	B	2.9/80.8
C372	4030006860	S.CER C1608 JB 1H 102K-T	B	8.3/79.6
C373	4030016790	S.CER ECJ0EB1C103K	B	130.6/51.7
C374	4030016930	S.CER ECJ0EB1A104K	B	132.8/51.3
C375	4030016930	S.CER ECJ0EB1A104K	B	132.4/54.6
C377	4030017460	S.CER ECJ0EB1E102K	T	104.7/52.9
C378	4030017460	S.CER ECJ0EB1E102K	B	105.1/80.9
C379	4030016930	S.CER ECJ0EB1A104K	B	110.5/84.5
C380	4030017460	S.CER ECJ0EB1E102K	T	120.9/85.3
C381	4030016790	S.CER ECJ0EB1C103K	B	135.9/70.5
C382	4510008680	S.ELE EEE1EA220SP	T	68.6/63.4
C383	4030017460	S.CER ECJ0EB1E102K	B	135.9/71.5
C384	4510008870	S.ELE EEE1AA471UP	T	129.9/64.9
C386	4030016930	S.CER ECJ0EB1A104K	B	138.8/53.7
C387	4030017730	S.CER ECJ0EB1E471K	B	135.4/51.3
C388	4030018860	S.CER ECJ0EB0J105K	B	138.7/52.2
C389	4030016930	S.CER ECJ0EB1A104K	B	139.1/48.5
C390	4030016930	S.CER ECJ0EB1A104K	B	137.8/55.4
C391	4030016930	S.CER ECJ0EB1A104K	T	107.6/80
C392	4030017460	S.CER ECJ0EB1E102K	B	127.8/76.8
C393	4030017460	S.CER ECJ0EB1E102K	B	98.3/79.2
C394	4030017420	S.CER ECJ0EC1H470J	B	115.4/68
C395	4030017460	S.CER ECJ0EB1E102K	B	126.5/77.2
C397	4030017460	S.CER ECJ0EB1E102K	B	100.8/86.3
C398	4030017420	S.CER ECJ0EC1H470J	B	99.8/86.3
C399	4030018860	S.CER ECJ0EB0J105K	B	134.5/34.8
C400	4030016930	S.CER ECJ0EB1A104K	B	136.9/37
C411	4510008780	S.ELE EEE1EA471P	T	117.2/63.6
C412	4510008780	S.ELE EEE1EA471P	T	132.7/54.3
C413	4030018900	S.CER ECJ0EB0J474K	B	135.1/46.8
C414	4510008540	S.ELE EEE1CA100SR	T	113.9/50.1
C415	4030016930	S.CER ECJ0EB1A104K	B	103/23.8
C416	4030016930	S.CER ECJ0EB1A104K	B	121/51.5
C417	4030016790	S.CER ECJ0EB1C103K	B	113.8/51.7
C418	4030017460	S.CER ECJ0EB1E102K	B	102.3/57.9
C419	4030016790	S.CER ECJ0EB1C103K	T	42.5/39.1
C420	4030017500	S.CER ECJ0EC1H560J	T	39.8/37.2
C421	4030016930	S.CER ECJ0EB1A104K	B	36.1/24.4
C422	4030016790	S.CER ECJ0EB1C103K	T	42.9/33
C423	4030007080	S.CER C1608 CH 1H 390J-T	T	33.6/38.9
C424	4030016930	S.CER ECJ0EB1A104K	T	33.6/41.2
C425	4030017460	S.CER ECJ0EB1E102K	B	134.8/66.1
C426	4030011030	S.CER GRM31M4C2H1R5CY21L (GRM42-6 CK) [USA-01]	T	29.2/75.2
	4030011020	S.CER GRM31M4C2H1R0CY21L (GRM42-6 CK) [EXP-01]		
	4030011020	S.CER GRM31M4C2H1R0CY21L (GRM42-6 CK) [EUR-01]		
	4030011020	S.CER GRM31M4C2H1R0CY21L (GRM42-6 CK) [USA-02]		
	4030011020	S.CER GRM31M4C2H1R0CY21L (GRM42-6 CK) [EXP-02]		
C427	4030017530	S.CER ECJ0EC1H0R5B [USA-01]	B	19.5/36.6
	4030017530	S.CER ECJ0EC1H0R5B [EXP-01]		
	4030017530	S.CER ECJ0EC1H0R5B [EUR-01]		
	4030017340	S.CER ECJ0EC1H010B [USA-02]		
	4030017340	S.CER ECJ0EC1H010B [EXP-02]		
C428	4030018110	S.CER ECJ0EB1H272K	T	24.6/10.2
C429	4030016790	S.CER ECJ0EB1C103K	B	138.4/51
C430	4030018860	S.CER ECJ0EB0J105K	B	110.4/10.7
C431	4030017460	S.CER ECJ0EB1E102K	B	114.2/11.7
C432	4030017420	S.CER ECJ0EC1H470J	B	119.4/69.8
C433	4030017460	S.CER ECJ0EB1E102K	B	119.4/70.8
C435	4030016930	S.CER ECJ0EB1A104K	T	8.9/7.8
C436	4030016930	S.CER ECJ0EB1A104K	B	56/38.5
J1	6510026770	S.CON AXK540147YG	T	124.5/9.7
J2	6510026770	S.CON AXK540147YG	T	101.5/9.7
J3	6510021301	S.CON 52365-1071	T	90.3/62.6
J5	6510023092	S.CON 20FLT-SM2-TB(LF)(SN)(M)	T	108.3/83.2
J7	6450000140	CON HSJ0807-01-010		
J10	6510023092	S.CON 20FLT-SM2-TB(LF)(SN)(M)	T	71/7
W1	7120000470	JUM ERDS2T0		
W2	8900016250	CAB OPC-1701 <CMI>T/H!		
EP2	6910015370	S.BEA ACZ1005Y-102-T	B	60.4/28.3
EP3	6910015370	S.BEA ACZ1005Y-102-T	T	85.7/30
EP4	6910010280	BEA HF70BB9.5X10.4X4.9		
EP5	6910010280	BEA HF70BB9.5X10.4X4.9		
EP6	6910015370	S.BEA ACZ1005Y-102-T	T	79.6/41.5
EP7	6910011560	BEA HF70BB4.5X5X1.6		

[FRONT UNIT]

REF NO.	ORDER NO.	DESCRIPTION	M.	H/V LOCATION
IC501	1130009121	S.IC S1D15206F00A200	B	33.1/19.5
IC502	1110005771	S.IC S-80942CNMC-G9CT2G	B	61.4/9.7
IC503	1140010771	S.IC HD64F3687FPV(EMPTY)	B	62.1/25.2
IC504	1130007111	S.IC TC7W04FU(TE12L,F)	B	73.9/26.3
IC505	1110005310	S.IC AN6123MS	B	10/8.4
IC506	1110005350	S.IC NJM2870F05-TE1-#FZZB	B	84.9/9.9
IC507	1130006221	S.IC TC4W53FU(TE12L,F)	B	6.5/19.3
IC508	1130008561	S.IC TC75S51F(TE85L,F)	B	74/11.3
Q501	1590001050	S.TRA DTC114TUA T106	B	15.1/32.9
Q502	1590001050	S.TRA DTC114TUA T106	B	18/32.9
Q503	1590001330	S.TRA DTA114EUA T106	B	77/24.7
Q504	1530002851	S.TRA 2SC4116-BL(TE85R,F)	B	91.5/22.4
Q505	1590001050	S.TRA DTC114TUA T106	B	92.5/18.8
Q506	1590000680	S.TRA DTC114EUA T106	B	77/27.4
Q507	1590001050	S.TRA DTC114TUA T106	B	51.4/30.2
D501	1750000370	S.DIO DA221 TL	T	3.5/27.1
D502	1750000370	S.DIO DA221 TL	T	3.5/25
D503	1750000370	S.DIO DA221 TL	T	3.5/22.9
D504	1790001260	S.DIO MA2S077-(TX) [USA-01]	B	50.9/23.1
	1790001260	S.DIO MA2S077-(TX) [EXP-01]		
	1790001260	S.DIO MA2S077-(TX) [EUR-01]		
	1790001260	S.DIO MA2S077-(TX) [USA-02]		
	1790001260	S.DIO MA2S077-(TX) [EXP-02]		
	1790001260	S.DIO MA2S077-(TX) [USA-03]		
	1790001260	S.DIO MA2S077-(TX) [EXP-03]		
	1790001260	S.DIO MA2S077-(TX) [EUR-03]		
	1790001260	S.DIO MA2S077-(TX) [USA-04]		
	1790001260	S.DIO MA2S077-(TX) [EXP-04]		
	1790001260	S.DIO MA2S077-(TX) [USA-05]		
	1790001260	S.DIO MA2S077-(TX) [USA-06]		
	1790001260	S.DIO MA2S077-(TX) [USA-01]		
	1790001261	S.DIO MA2S077G0L [CHN-01]		
	1790001260	S.DIO MA2S077-(TX) [USA-02]		
D505	1790001250	S.DIO MA2S111-(TX) [USA-01]	B	3.3/23.3
	1790001250	S.DIO MA2S111-(TX) [EXP-01]		
	1790001250	S.DIO MA2S111-(TX) [EUR-01]		
	1790001250	S.DIO MA2S111-(TX) [USA-02]		
	1790001250	S.DIO MA2S111-(TX) [EXP-02]		
	1790001250	S.DIO MA2S111-(TX) [USA-03]		
	1790001250	S.DIO MA2S111-(TX) [EXP-03]		
	1790001250	S.DIO MA2S111-(TX) [USA-04]		
	1790001250	S.DIO MA2S111-(TX) [EXP-04]		
	1790001250	S.DIO MA2S111-(TX) [USA-05]		
	1790001250	S.DIO MA2S111-(TX) [USA-06]		
	1790001250	S.DIO MA2S111-(TX) [USA-01]		
	1790001251	S.DIO MA2S1110GL [CHN-01]		
D506	1790001250	S.DIO MA2S111-(TX) [USA-02]	B	82.1/21.7
	1790001250	S.DIO MA2S111-(TX) [EXP-01]		
	1790001250	S.DIO MA2S111-(TX) [EUR-01]		
	1790001250	S.DIO MA2S111-(TX) [USA-02]		
	1790001250	S.DIO MA2S111-(TX) [EXP-02]		
	1790001250	S.DIO MA2S111-(TX) [USA-03]		
	1790001250	S.DIO MA2S111-(TX) [EXP-03]		
	1790001250	S.DIO MA2S111-(TX) [USA-04]		
	1790001250	S.DIO MA2S111-(TX) [EXP-04]		
	1790001250	S.DIO MA2S111-(TX) [USA-05]		
	1790001250	S.DIO MA2S111-(TX) [USA-06]		
	1790001250	S.DIO MA2S111-(TX) [USA-01]		
	1790001251	S.DIO MA2S1110GL [CHN-01]		
D507	1790001250	S.DIO MA2S111-(TX) [USA-02]	B	79.7/25.8
	1790001250	S.DIO MA2S111-(TX) [EXP-01]		
	1790001250	S.DIO MA2S111-(TX) [EUR-01]		
	1790001250	S.DIO MA2S111-(TX) [USA-02]		
	1790001250	S.DIO MA2S111-(TX) [EXP-02]		
	1790001250	S.DIO MA2S111-(TX) [USA-03]		
	1790001250	S.DIO MA2S111-(TX) [EXP-03]		
	1790001250	S.DIO MA2S111-(TX) [USA-04]		
	1790001250	S.DIO MA2S111-(TX) [EXP-04]		
	1790001250	S.DIO MA2S111-(TX) [USA-05]		
	1790001250	S.DIO MA2S111-(TX) [USA-06]		
	1790001250	S.DIO MA2S111-(TX) [USA-01]		
	1790001251	S.DIO MA2S1110GL [CHN-01]		
D508	1790001250	S.DIO MA2S111-(TX) [USA-02]	B	4.8/19.7
	1790000950	S.ZEN MA8056-M(TX) [USA-01]	T	
	1790000950	S.ZEN MA8056-M(TX) [EXP-01]		
	1790000950	S.ZEN MA8056-M(TX) [EUR-01]		
	1790000950	S.ZEN MA8056-M(TX) [USA-02]		
	1790000950	S.ZEN MA8056-M(TX) [EXP-02]		
	1790000950	S.ZEN MA8056-M(TX) [USA-03]		
	1790000950	S.ZEN MA8056-M(TX) [EXP-03]		
	1790000950	S.ZEN MA8056-M(TX) [EUR-03]		
	1790000950	S.ZEN MA8056-M(TX) [USA-04]		
	1790000950	S.ZEN MA8056-M(TX) [EXP-04]		
	1790000950	S.ZEN MA8056-M(TX) [USA-05]		
	1790000950	S.ZEN MA8056-M(TX) [USA-06]		
	1790000950	S.ZEN MA8056-M(TX) [USA-01]		
	1790000951	S.ZEN MAZ8056GML [CHN-01]		
	1790000950	S.ZEN MA8056-M(TX) [USA-02]		

M.=Mounted side (T: Mounted on the Top side, B: Mounted on the Bottom side)
S.=Surface mount

[FRONT UNIT]

Table with columns: REF NO., ORDER NO., DESCRIPTION, M., H/V LOCATION. Contains multiple rows for various components like S.ZEN MA8056-M(TX) and S.XTA CR-764 SMD-49TB.

[FRONT UNIT]

Table with columns: REF NO., ORDER NO., DESCRIPTION, M., H/V LOCATION. Contains multiple rows for various components like S.RES ERJ2GEJ 223 X and S.CER ECJ0EB1A104K.

M.=Mounted side (T: Mounted on the Top side, B: Mounted on the Bottom side) S.=Surface mount

[FRONT UNIT]

REF NO.	ORDER NO.	DESCRIPTION	M.	H/V LOCATION
C556	4550006480	S.TAN TEESVA 1C 475M8R	B	76.9/10.2
J501	6510022022	S.CON 14FLT-SM2-TB(LF)(SN)(M)	B	88/28.5
J502	6510023092	S.CON 20FLT-SM2-TB(LF)(SN)(M)	B	75.5/19.5
J503	6450002210	CON 3017-8821 <KIN>		
DS501	5030003020	LCD L6-0226TVM-3		
DS502	5040002670	S.LED CL-165HR/YG	T	18.2/35.9
DS503	5040002310	S.LED SML-311YTT86	T	32.8/6.5
DS504	5040002310	S.LED SML-311YTT86	T	46.1/6.3
DS505	5040002310	S.LED SML-311YTT86	T	59.8/6.3
DS506	5040002310	S.LED SML-311YTT86	T	92.3/24.5
DS507	5040002310	S.LED SML-311YTT86	T	73.1/6.5
DS508	5040002310	S.LED SML-311YTT86	T	31.7/26
DS509	5040002310	S.LED SML-311YTT86	T	40.2/26
DS510	5040002310	S.LED SML-311YTT86	T	48.7/26
DS511	5040002310	S.LED SML-311YTT86	T	74.2/26
DS512	5040002310	S.LED SML-311YTT86	T	65.7/26
DS513	5040002310	S.LED SML-311YTT86	T	57.2/26

[CONNECT UNIT]

REF NO.	ORDER NO.	DESCRIPTION	M.	H/V LOCATION
C601	4030017420	S.CER ECJ0EC1H470J	T	12.7/4.6
C602	4030017420	S.CER ECJ0EC1H470J	T	15.4/4.6
C603	4030017420	S.CER ECJ0EC1H470J	T	18.2/4.6
C604	4030017420	S.CER ECJ0EC1H470J	T	19.6/4.6
C605	4030017420	S.CER ECJ0EC1H470J	T	20.9/4.6
C606	4030017420	S.CER ECJ0EC1H470J	T	25.1/4.6
C607	4030017420	S.CER ECJ0EC1H470J	T	37.5/13.2
C608	4030017420	S.CER ECJ0EC1H470J	T	16.8/4.6
C609	4030017420	S.CER ECJ0EC1H470J	T	40.3/13.2
C610	4030017420	S.CER ECJ0EC1H470J	T	41.7/4.6
J601	6510025240	S.CON IMSA-9631S-20Y912 [USA-01]	B	32.2/16.2
	6510025240	S.CON IMSA-9631S-20Y912 [EXP-01]		
	6510025240	S.CON IMSA-9631S-20Y912 [EUR-01]		
	6510025240	S.CON IMSA-9631S-20Y912 [USA-02]		
	6510025240	S.CON IMSA-9631S-20Y912 [EXP-02]		
	6510025240	S.CON IMSA-9631S-20Y912 [USA-03]		
	6510025240	S.CON IMSA-9631S-20Y912 [USA-02]		
	6510025240	S.CON IMSA-9631S-20Y912 [EXP-03]		
	6510025240	S.CON IMSA-9631S-20Y912 [EUR-03]		
	6510025240	S.CON IMSA-9631S-20Y912 [USA-04]		
	6510025240	S.CON IMSA-9631S-20Y912 [EXP-04]		
	6510025240	S.CON IMSA-9631S-20Y912 [USA-55]		
	6510025240	S.CON IMSA-9631S-20Y912 [USA-56]		
	6510025240	S.CON IMSA-9631S-20Y912 [USA-01]		
	6510025242	S.CON IMSA-9631S-20Y930 [CHN-01]		
	6510025240	S.CON IMSA-9631S-20Y912 [USA-02]		
J602	6510023210	CON CD6125SA1J0 <CVI>		

[MAIN-A UNIT] (For MDC compatible versions)

REF NO.	ORDER NO.	DESCRIPTION	M.	H/V LOCATION
IC1	1110005340	S.IC NJM12902V-TE1-#ZZZB	T	82.3/12.9
IC2	1110006221	S.IC AK2346P-E2/P	B	44.7/11.7
IC3	1140013200	S.IC CD4053BPWR	B	58.7/9.3
IC4	1130010100	S.IC LMX2352TMX/NOPB	T	83.3/46
IC5	1110003491	S.IC TA31136FNG(D,EL)	T	28/13.9
IC6	1190001350	S.IC M62364FP 600D	B	84.9/12.9
IC7	1110005340	S.IC NJM12902V-TE1-#ZZZB	T	107.3/43
IC8	1140013200	S.IC CD4053BPWR	B	58.7/16.1
IC9	1130012960	S.IC BU8872FS-E2	B	133.1/21.3
IC10	1190002051	S.IC SPM5001-TL-E	B	33.8/36.9
IC12	1190001340	S.IC M62334FP 600C	B	9.1/25.7
IC13	1110005771	S.IC S-80942CNMC-G9CT2G	B	126/44.8
IC14	1140014550	S.IC HD64F2506RFC26DV(EMPTY)	B	111.8/35.7
IC15	1150002211	IC RA55H4047M-121 [USA-03]		
	1150002092	IC RA30H4047M-121 [EXP-03]		
	1150002092	IC RA30H4047M-121 [EUR-03]		
	1150002221	IC RA55H4452M-121 [USA-04]		
	1150002032	IC RA30H4452M-121 [EXP-04]		
	1150002211	IC RA55H4047M-121 [USA-55]		
	1150002211	IC RA55H4047M-121 [USA-56]		
	1150002211	IC RA55H4047M-121 [USA-01]		
	1150002211	IC RA55H4047M-121 [CHN-01]		
	1150002221	IC RA55H4452M-121 [USA-02]		
IC16	1140014160	S.IC 24LC1025T-I/SM	B	133.3/29
IC17	1110002751	S.IC TA75S01F(TE85R,F)	B	55.8/66.7
IC18	1180000970	S.IC AN78L05M-(E1)	B	113/65.3
IC19	1120002510	S.IC DS14C232TM S	T	104.7/69
IC20	1180001251	S.IC TA7808F(TE16L,Q)	B	121.5/65.8
IC21	1110003091	IC LA4425A-E		
IC22	1110002751	S.IC TA75S01F(TE85R,F)	B	135.5/54.4
IC23	1130006221	S.IC TC4W53FU(TE12L,F)	B	109.6/12.9
IC25	1110006230	S.IC NJM2711F-TE1-#ZZZB	B	30.1/7.1
Q1	1590003230	S.TRA UNR9113J-(TX) [USA-03]	B	16.5/6.1
	1590003230	S.TRA UNR9113J-(TX) [EXP-03]		
	1590003230	S.TRA UNR9113J-(TX) [EUR-03]		
	1590003230	S.TRA UNR9113J-(TX) [USA-04]		
	1590003230	S.TRA UNR9113J-(TX) [EXP-04]		
	1590003230	S.TRA UNR9113J-(TX) [USA-55]		
	1590003230	S.TRA UNR9113J-(TX) [USA-56]		
	1590003230	S.TRA UNR9113J-(TX) [USA-01]		
	1590003231	S.TRA UNR9113G0L [CHN-01]		
	1590003230	S.TRA UNR9113J-(TX) [USA-02]		
Q3	1530002851	S.TRA 2SC4116-BL(TE85R,F)	B	36.5/15.5
Q4	1590001650	S.TRA XP4601(TX)	B	92.8/12.4
Q5	1560000541	S.FET 2SK880-Y(T5RICOM,F)	B	81.3/41
Q6	1530002851	S.TRA 2SC4116-BL(TE85R,F)	B	50.6/28.4
Q7	1560000541	S.FET 2SK880-Y(T5RICOM,F)	B	82.4/30.6
Q8	1530002851	S.TRA 2SC4116-BL(TE85R,F)	B	79.3/37.8
Q9	1530002851	S.TRA 2SC4116-BL(TE85R,F)	B	82.1/35.4
Q10	1560001360	S.FET 2SK3019 TL	B	76.5/45.2
Q12	1530002601	S.TRA 2SC4215-O(TE85R,F)	T	26.8/19.2
Q16	1590003290	S.TRA UNR9213J-(TX) [USA-03]	T	113.1/46.6
	1590003290	S.TRA UNR9213J-(TX) [EXP-03]		
	1590003290	S.TRA UNR9213J-(TX) [EUR-03]		
	1590003290	S.TRA UNR9213J-(TX) [USA-04]		
	1590003290	S.TRA UNR9213J-(TX) [EXP-04]		
	1590003290	S.TRA UNR9213J-(TX) [USA-55]		
	1590003290	S.TRA UNR9213J-(TX) [USA-56]		
	1590003290	S.TRA UNR9213J-(TX) [USA-01]		
	1590003291	S.TRA UNR9213G0L [CHN-01]		
	1590003290	S.TRA UNR9213J-(TX) [USA-02]		
Q17	1530002920	S.TRA 2SC4226-T1 R25	T	61.1/42.8
Q18	1530002920	S.TRA 2SC4226-T1 R25	T	61.1/36.3
Q19	1530002920	S.TRA 2SC4226-T1 R25	T	60.7/28.9
Q20	1590003230	S.TRA UNR9113J-(TX) [USA-03]	B	34.1/24.9
	1590003230	S.TRA UNR9113J-(TX) [EXP-03]		
	1590003230	S.TRA UNR9113J-(TX) [EUR-03]		
	1590003230	S.TRA UNR9113J-(TX) [USA-04]		
	1590003230	S.TRA UNR9113J-(TX) [EXP-04]		
	1590003230	S.TRA UNR9113J-(TX) [USA-55]		
	1590003230	S.TRA UNR9113J-(TX) [USA-56]		
	1590003230	S.TRA UNR9113J-(TX) [USA-01]		
	1590003231	S.TRA UNR9113G0L [CHN-01]		
	1590003230	S.TRA UNR9113J-(TX) [USA-02]		
Q22	1530003311	S.TRA 2SC5107-O(TE85R,F)	T	56.7/33.6
Q23	1590001400	S.TRA XP1214(TX)	B	57.6/40.5
Q24	1590003290	S.TRA UNR9213J-(TX) [USA-03]	B	55/40.5
	1590003290	S.TRA UNR9213J-(TX) [EXP-03]		
	1590003290	S.TRA UNR9213J-(TX) [EUR-03]		
	1590003290	S.TRA UNR9213J-(TX) [USA-04]		
	1590003290	S.TRA UNR9213J-(TX) [EXP-04]		
	1590003290	S.TRA UNR9213J-(TX) [USA-55]		
	1590003290	S.TRA UNR9213J-(TX) [USA-56]		
	1590003290	S.TRA UNR9213J-(TX) [USA-01]		
	1590003291	S.TRA UNR9213G0L [CHN-01]		
	1590003290	S.TRA UNR9213J-(TX) [USA-02]		
Q25	1530003980	S.TRA 2SC5700WB-TR-E	T	55.2/36.9
Q26	1590001400	S.TRA XP1214(TX)	B	56.6/33.5
Q27	1590003230	S.TRA UNR9113J-(TX) [USA-03]	T	126.2/48.7
	1590003230	S.TRA UNR9113J-(TX) [EXP-03]		
	1590003230	S.TRA UNR9113J-(TX) [EUR-03]		
	1590003230	S.TRA UNR9113J-(TX) [USA-04]		
	1590003230	S.TRA UNR9113J-(TX) [EXP-04]		
	1590003230	S.TRA UNR9113J-(TX) [USA-55]		
	1590003230	S.TRA UNR9113J-(TX) [USA-56]		
	1590003230	S.TRA UNR9113J-(TX) [USA-01]		
	1590003231	S.TRA UNR9113G0L [CHN-01]		
	1590003230	S.TRA UNR9113J-(TX) [USA-02]		

M.=Mounted side (T: Mounted on the Top side, B: Mounted on the Bottom side)
S.=Surface mount

[MAIN-A UNIT] (For MDC compatible versions)

REF NO.	ORDER NO.	DESCRIPTION	M.	H/V LOCATION
D19	1160000140	S.DIO DAP222 TL	B	120.3/17.6
D21	1750001070	S.DIO DAN235ETL	T	31.9/37.5
D22	1750000520	S.DIO DAN222TL	T	125.4/51.5
D23	1790001260	S.DIO MA2S077-(TX) [USA-03]	T	125/38.9
	1790001260	S.DIO MA2S077-(TX) [EXP-03]		
	1790001260	S.DIO MA2S077-(TX) [EUR-03]		
	1790001260	S.DIO MA2S077-(TX) [USA-04]		
	1790001260	S.DIO MA2S077-(TX) [EXP-04]		
	1790001260	S.DIO MA2S077-(TX) [USA-55]		
	1790001260	S.DIO MA2S077-(TX) [USA-56]		
	1790001260	S.DIO MA2S077-(TX) [USA-01]		
	1790001261	S.DIO MA2S077G0L [CHN-01]		
	1790001260	S.DIO MA2S077-(TX) [USA-02]		
D24	1750000581	S.DIO 1SV307(TPH3,F)	B	50.8/47.1
D25	1790001260	S.DIO MA2S077-(TX) [USA-03]	B	48.3/46
	1790001260	S.DIO MA2S077-(TX) [EXP-03]		
	1790001260	S.DIO MA2S077-(TX) [EUR-03]		
	1790001260	S.DIO MA2S077-(TX) [USA-04]		
	1790001260	S.DIO MA2S077-(TX) [EXP-04]		
	1790001260	S.DIO MA2S077-(TX) [USA-55]		
	1790001260	S.DIO MA2S077-(TX) [USA-56]		
	1790001260	S.DIO MA2S077-(TX) [USA-01]		
	1790001261	S.DIO MA2S077G0L [CHN-01]		
	1790001260	S.DIO MA2S077-(TX) [USA-02]		
D26	1750000711	S.VAR HVC350BTRF-E	B	14.1/36.1
D27	1750000711	S.VAR HVC350BTRF-E	B	10.7/34.4
D30	1750000711	S.VAR HVC350BTRF-E	B	18.3/36.2
D31	1790001250	S.DIO MA2S111-(TX) [USA-03]	T	6.2/42.2
	1790001250	S.DIO MA2S111-(TX) [EXP-03]		
	1790001250	S.DIO MA2S111-(TX) [EUR-03]		
	1790001250	S.DIO MA2S111-(TX) [USA-04]		
	1790001250	S.DIO MA2S111-(TX) [EXP-04]		
	1790001250	S.DIO MA2S111-(TX) [USA-55]		
	1790001250	S.DIO MA2S111-(TX) [USA-56]		
	1790001250	S.DIO MA2S111-(TX) [USA-01]		
	1790001251	S.DIO MA2S1110GL [CHN-01]		
	1790001250	S.DIO MA2S111-(TX) [USA-02]		
D35	1790001260	S.DIO MA2S077-(TX) [USA-03]	B	20/50.9
	1790001260	S.DIO MA2S077-(TX) [EXP-03]		
	1790001260	S.DIO MA2S077-(TX) [EUR-03]		
	1790001260	S.DIO MA2S077-(TX) [USA-04]		
	1790001260	S.DIO MA2S077-(TX) [USA-55]		
	1790001260	S.DIO MA2S077-(TX) [USA-56]		
	1790001260	S.DIO MA2S077-(TX) [USA-01]		
	1790001261	S.DIO MA2S077G0L [CHN-01]		
	1790001260	S.DIO MA2S077-(TX) [USA-02]		
D36	1790001240	S.DIO MA2S728-(TX) [USA-03]	B	11.9/50.8
	1790001240	S.DIO MA2S728-(TX) [EXP-03]		
	1790001240	S.DIO MA2S728-(TX) [EUR-03]		
	1790001240	S.DIO MA2S728-(TX) [USA-04]		
	1790001240	S.DIO MA2S728-(TX) [EXP-04]		
	1790001240	S.DIO MA2S728-(TX) [USA-55]		
	1790001240	S.DIO MA2S728-(TX) [USA-56]		
	1790001240	S.DIO MA2S728-(TX) [USA-01]		
	1790001241	S.DIO MA2S7280GL [CHN-01]		
	1790001240	S.DIO MA2S728-(TX) [USA-02]		
D37	1750000370	S.DIO DA221 TL	T	75.2/68
D38	1750000511	S.DIO UX9401F-STD/TR [EXP-03]	T	31.2/66.7
	1750000511	S.DIO UX9401F-STD/TR [EUR-03]		
	1750000511	S.DIO UX9401F-STD/TR [EXP-04]		
D39	1710001061	DIO L407CDB [USA-03]		
	1710001061	DIO L407CDB [USA-04]		
	1710001061	DIO L407CDB [USA-55]		
	1710001061	DIO L407CDB [USA-56]		
	1710001061	DIO L407CDB [USA-01]		
	1710001061	DIO L407CDB [CHN-01]		
	1710001061	DIO L407CDB [USA-02]		
D42	1750001360	S.DIO L709CER (9401)	T	26.5/58
D45	1750000520	S.DIO DAN222TL	T	91.8/57.5
D46	1750000520	S.DIO DAN222TL	T	89.6/57.5
D47	1790001211	S.DIO 1SS375-TL-E	B	37.7/61.7
D48	1750000520	S.DIO DAN222TL	B	95.5/55.5
D49	1790000660	S.DIO MA728(TX)	B	8.9/57.1
D50	1750000370	S.DIO DA221 TL	B	98.8/66.5
D51	1790000660	S.DIO MA728(TX)	B	5.2/79.3
D52	1750000520	S.DIO DAN222TL	B	132.6/40.8
D53	1790001250	S.DIO MA2S111-(TX) [USA-03]	B	133.3/47.3
	1790001250	S.DIO MA2S111-(TX) [EXP-03]		
	1790001250	S.DIO MA2S111-(TX) [EUR-03]		
	1790001250	S.DIO MA2S111-(TX) [USA-04]		
	1790001250	S.DIO MA2S111-(TX) [EXP-04]		
	1790001250	S.DIO MA2S111-(TX) [USA-55]		
	1790001250	S.DIO MA2S111-(TX) [USA-56]		
	1790001250	S.DIO MA2S111-(TX) [USA-01]		
	1790001251	S.DIO MA2S1110GL [CHN-01]		
	1790001250	S.DIO MA2S111-(TX) [USA-02]		
D55	1750000370	S.DIO DA221 TL	B	98.8/63
D56	1750000370	S.DIO DA221 TL	B	96.7/63
D57	1750000370	S.DIO DA221 TL	B	96.7/66.5
D58	1750000520	S.DIO DAN222TL	B	101.2/83.1
D59	1750000520	S.DIO DAN222TL	B	101.2/81
D62	1790000700	DIO DSA3A1		
D63	1750000520	S.DIO DAN222TL	B	112.3/82.2
D65	1750000520	S.DIO DAN222TL	B	129.7/58.9
D66	1790001621	S.DIO 1SV308(TPL3,F)	T	29.5/36.7
D67	1790001621	S.DIO 1SV308(TPL3,F)	T	34.3/36.7
D68	1790001621	S.DIO 1SV308(TPL3,F)	T	28.7/23.3
D69	1790001621	S.DIO 1SV308(TPL3,F)	T	30/23.3

[MAIN-A UNIT] (For MDC compatible versions)

REF NO.	ORDER NO.	DESCRIPTION	M.	H/V LOCATION
D70	1730002410	S.ZEN MA8200-H(TX) [USA-03]	T	120/83.6
	1730002410	S.ZEN MA8200-H(TX) [EXP-03]		
	1730002410	S.ZEN MA8200-H(TX) [EUR-03]		
	1730002410	S.ZEN MA8200-H(TX) [USA-04]		
	1730002410	S.ZEN MA8200-H(TX) [EXP-04]		
	1730002410	S.ZEN MA8200-H(TX) [USA-55]		
	1730002410	S.ZEN MA8200-H(TX) [USA-56]		
	1730002410	S.ZEN MA8200-H(TX) [USA-01]		
	1730002411	S.ZEN MA28200GHL [CHN-01]		
	1730002410	S.ZEN MA8200-H(TX) [USA-02]		
D71	1750000520	S.DIO DAN222TL	B	94.6/62.3
D72	1750000520	S.DIO DAN222TL	B	94.8/59.1
F11	2020002500	CER LT450GW <JJE>		
F12	2020002510	CER LTW450HT <JJE>		
F13	2030000500	S.MON DSF753SBF 46.35 MHz(FL-401)	T	24.7/28.5
F14	2030000670	S.MON DSF753SBF 46.35 MHz(FL-420)	T	35.6/28.4
F15	2040001440	S.LC NFE31PT152Z1E9L (NFM60R20T152)	B	94.5/77
F16	2040001440	S.LC NFE31PT152Z1E9L (NFM60R20T152)	B	94.5/73.7
F17	2040001440	S.LC NFE31PT152Z1E9L (NFM60R20T152) [USA-03]	B	94.5/70.4
	2040001440	S.LC NFE31PT152Z1E9L (NFM60R20T152) [USA-04]		
	2040001440	S.LC NFE31PT152Z1E9L (NFM60R20T152) [USA-55]		
	2040001440	S.LC NFE31PT152Z1E9L (NFM60R20T152) [USA-56]		
	2040001440	S.LC NFE31PT152Z1E9L (NFM60R20T152) [USA-01]		
	2040001440	S.LC NFE31PT152Z1E9L (NFM60R20T152) [CHN-01]		
	2040001440	S.LC NFE31PT152Z1E9L (NFM60R20T152) [USA-02]		
X1	6050012380	S.XTA CR-826 DSA535SD 15.3 MHz	T	86.1/34.6
X2	6050011730	S.XTA CR-765 SMD-49TA 3.6864 MHz	T	48.6/12
X3	6070000300	S.DIS JTBM450CX24 <JJE>	T	37.1/10.3
X4	6050012320	S.XTA CR-818 SMD-49 4.194304 MHz	T	139.1/21.9
X5	6050011720	S.XTA CR-764 SMD-49TB 19.6608 MHz	T	120.4/44.4
L1	6200004660	S.COI MLF1608A 1R8K-T	B	80.7/52.1
L2	6200003540	S.COI MLF1608D R22K-T	B	34.4/14.7
L3	6200004480	S.COI MLF1608D R82K-T	B	29.6/16.2
L4	6200005671	S.COI ELJRE 12NGFA	T	54.4/43.9
L5	6200004741	S.COI NLV25T-1R2J	T	72.9/43.5
L6	6200004741	S.COI NLV25T-1R2J	T	70.4/41
L7	6200004741	S.COI NLV25T-1R2J	T	72.9/37
L8	6200004741	S.COI NLV25T-1R2J	T	72.9/30.5
L9	6200004741	S.COI NLV25T-1R2J	T	70.4/28
L10	6200012970	S.COI 0.30-0.91-4TR 8.6N [USA-03]	T	67.1/44.7
	6200012970	S.COI 0.30-0.91-4TR 8.6N [EXP-03]		
	6200012970	S.COI 0.30-0.91-4TR 8.6N [EUR-03]		
	6200012970	S.COI 0.30-0.91-4TR 8.6N [USA-55]		
	6200012970	S.COI 0.30-0.91-4TR 8.6N [USA-56]		
	6200012970	S.COI 0.30-0.91-4TR 8.6N [USA-01]		
	6200012970	S.COI 0.30-0.91-4TR 8.6N [CHN-01]		
L12	6200012970	S.COI 0.30-0.91-4TR 8.6N [USA-03]	T	67.1/38.2
	6200012970	S.COI 0.30-0.91-4TR 8.6N [EXP-03]		
	6200012970	S.COI 0.30-0.91-4TR 8.6N [EUR-03]		
	6200012970	S.COI 0.30-0.91-4TR 8.6N [USA-55]		
	6200012970	S.COI 0.30-0.91-4TR 8.6N [USA-56]		
	6200012970	S.COI 0.30-0.91-4TR 8.6N [USA-01]		
	6200012970	S.COI 0.30-0.91-4TR 8.6N [CHN-01]		
L13	6200004741	S.COI NLV25T-1R2J	T	70.4/34.5
L15	6200012390	S.COI 0.30-0.92-3TR 5.8N	T	67.1/31.4
L16	6200010030	S.COI C2012C-15NG-A [USA-03]	B	21.1/35.6
	6200010030	S.COI C2012C-15NG-A [EXP-03]		
	6200010030	S.COI C2012C-15NG-A [EUR-03]		
	6200010020	S.COI C2012C-12NG-A [USA-04]		
	6200010020	S.COI C2012C-12NG-A [EXP-04]		
	6200010030	S.COI C2012C-15NG-A [USA-55]		
	6200010030	S.COI C2012C-15NG-A [USA-56]		
	6200010030	S.COI C2012C-15NG-A [USA-01]		
	6200010030	S.COI C2012C-15NG-A [CHN-01]		
	6200010020	S.COI C2012C-12NG-A [USA-02]		
L17	6200004741	S.COI NLV25T-1R2J [USA-03]	T	57.7/30
	6200004741	S.COI NLV25T-1R2J [EXP-03]		
	6200004741	S.COI NLV25T-1R2J [EUR-03]		
	6200002851	S.COI NLV25T-R82J [USA-04]		
	6200002851	S.COI NLV25T-R82J [EXP-04]		
	6200004741	S.COI NLV25T-1R2J [USA-55]		
	6200004741	S.COI NLV25T-1R2J [USA-56]		
	6200004741	S.COI NLV25T-1R2J [USA-01]		
	6200004741	S.COI NLV25T-1R2J [CHN-01]		
	6200002851	S.COI NLV25T-R82J [USA-02]		
L18	6130003000	S.COI #617DB-1714-P3	B	39/36.2
L19	6130003000	S.COI #617DB-1714-P3	B	34.5/42.6
L20	6200005721	S.COI ELJRE 33NGFA	T	54.2/32.6
L21	6200005671	S.COI ELJRE 12NGFA	T	54.4/39.1
L22	6200005711	S.COI ELJRE 27NGFA [USA-03]	B	40.2/46
	6200005711	S.COI ELJRE 27NGFA [EXP-03]		
	6200005711	S.COI ELJRE 27NGFA [EUR-03]		
	6200005691	S.COI ELJRE 18NGFA [USA-04]		
	6200005691	S.COI ELJRE 18NGFA [EXP-04]		
	6200005711	S.COI ELJRE 27NGFA [USA-55]		
	6200005711	S.COI ELJRE 27NGFA [USA-56]		
	6200005711	S.COI ELJRE 27NGFA [USA-01]		
	6200005711	S.COI ELJRE 27NGFA [CHN-01]		
	6200005691	S.COI ELJRE 18NGFA [USA-02]		

M.=Mounted side (T: Mounted on the Top side, B: Mounted on the Bottom side)
S.=Surface mount

[MAIN-A UNIT] (For MDC compatible versions)

REF NO.	ORDER NO.	DESCRIPTION	M.	H/V LOCATION
L23	6200005711	S.COI ELJRE 27NGFA [USA-03]	B	42.9/46
	6200005711	S.COI ELJRE 27NGFA [EXP-03]		
	6200005711	S.COI ELJRE 27NGFA [EUR-03]		
	6200005691	S.COI ELJRE 18NGFA [USA-04]		
	6200005691	S.COI ELJRE 18NGFA [EXP-04]		
	6200005711	S.COI ELJRE 27NGFA [USA-55]		
	6200005711	S.COI ELJRE 27NGFA [USA-56]		
	6200005711	S.COI ELJRE 27NGFA [USA-01]		
	6200005711	S.COI ELJRE 27NGFA [CHN-01]		
	6200005691	S.COI ELJRE 18NGFA [USA-02]		
L24	6130003000	S.COI #617DB-1714=P3	B	27/36.2
L25	6200005711	S.COI ELJRE 27NGFA	T	50/38.4
L26	6200010030	S.COI C2012C-15NG-A [USA-03]	B	15.9/35.6
	6200010030	S.COI C2012C-15NG-A [EXP-03]	T	
	6200010030	S.COI C2012C-15NG-A [EUR-03]		
	6200010030	S.COI C2012C-12NG-A [USA-04]		
	6200010020	S.COI C2012C-12NG-A [EXP-04]		
	6200010030	S.COI C2012C-15NG-A [USA-55]		
	6200010030	S.COI C2012C-15NG-A [USA-56]		
	6200010030	S.COI C2012C-15NG-A [USA-01]		
	6200010030	S.COI C2012C-15NG-A [CHN-01]		
	6200010020	S.COI C2012C-12NG-A [USA-02]		
L27	6200005711	S.COI ELJRE 27NGFA	B	65.2/65.4
L28	6200010030	S.COI C2012C-15NG-A [USA-03]	B	7/36.7
	6200010030	S.COI C2012C-15NG-A [EXP-03]		
	6200010030	S.COI C2012C-15NG-A [EUR-03]		
	6200010020	S.COI C2012C-12NG-A [USA-04]		
	6200010020	S.COI C2012C-12NG-A [EXP-04]		
	6200010030	S.COI C2012C-15NG-A [USA-55]		
	6200010030	S.COI C2012C-15NG-A [USA-56]		
	6200010030	S.COI C2012C-15NG-A [USA-01]		
	6200010030	S.COI C2012C-15NG-A [CHN-01]		
	6200010020	S.COI C2012C-12NG-A [USA-02]		
L29	6200005641	S.COI ELJRE 6N8ZFA	B	73.5/69
L30	6200005691	S.COI ELJRE 18NGFA [USA-03]	T	73.5/73.7
	6200005701	S.COI ELJRE 22NGFA [EXP-03]		
	6200005701	S.COI ELJRE 22NGFA [EUR-03]		
	6200005691	S.COI ELJRE 18NGFA [USA-04]		
	6200005691	S.COI ELJRE 18NGFA [EXP-04]		
	6200005691	S.COI ELJRE 18NGFA [USA-55]		
	6200005691	S.COI ELJRE 18NGFA [USA-56]		
	6200005691	S.COI ELJRE 18NGFA [CHN-01]		
	6200005691	S.COI ELJRE 18NGFA [USA-02]		
L31	6200010210	S.COI C2012C-22NG-A [USA-03]	B	9.2/44.8
	6200010210	S.COI C2012C-22NG-A [EXP-03]		
	6200010210	S.COI C2012C-22NG-A [EUR-03]		
	6200009980	S.COI C2012C-18NG-A [USA-04]		
	6200009980	S.COI C2012C-18NG-A [EXP-04]		
	6200010210	S.COI C2012C-22NG-A [USA-55]		
	6200010210	S.COI C2012C-22NG-A [USA-56]		
	6200010210	S.COI C2012C-22NG-A [USA-01]		
	6200010210	S.COI C2012C-22NG-A [CHN-01]		
	6200009980	S.COI C2012C-18NG-A [USA-02]		
L32	6200010210	S.COI C2012C-22NG-A [USA-03]	B	9.2/48.8
	6200010210	S.COI C2012C-22NG-A [EXP-03]		
	6200010210	S.COI C2012C-22NG-A [EUR-03]		
	6200009980	S.COI C2012C-18NG-A [USA-04]		
	6200009980	S.COI C2012C-18NG-A [EXP-04]		
	6200010210	S.COI C2012C-22NG-A [USA-55]		
	6200010210	S.COI C2012C-22NG-A [USA-56]		
	6200010210	S.COI C2012C-22NG-A [USA-01]		
	6200010210	S.COI C2012C-22NG-A [CHN-01]		
	6200009980	S.COI C2012C-18NG-A [USA-02]		
L33	6200010150	S.COI AS080340-15N	T	32.6/75.2
L34	6200010100	S.COI C2012C-33NG-A	B	13.7/50
L35	6200005691	S.COI ELJRE 18NGFA [USA-03]	B	23/50.7
	6200005691	S.COI ELJRE 18NGFA [EXP-03]		
	6200005691	S.COI ELJRE 18NGFA [EUR-03]		
	6200006771	S.COI ELJRE 1N5ZFA [USA-04]		
	6200006771	S.COI ELJRE 1N5ZFA [EXP-04]		
	6200005691	S.COI ELJRE 18NGFA [USA-55]		
	6200005691	S.COI ELJRE 18NGFA [USA-56]		
	6200005691	S.COI ELJRE 18NGFA [USA-01]		
	6200005691	S.COI ELJRE 18NGFA [CHN-01]		
	6200006771	S.COI ELJRE 1N5ZFA [USA-02]		
L36	6200010420	S.COI FHW1210HC 1R0JGT <JE>	B	31.2/68
L37	6200010150	S.COI AS080340-15N	T	30.3/58.1
L38	6200010150	S.COI AS080340-15N	T	22.2/58.3
L39	6200010150	S.COI AS080340-15N	T	14.3/62.4
L40	6200010150	S.COI AS080340-15N	T	10.3/62.4
L41	6200002861	S.COI NLV25T-4R7J	T	111.3/55.1
L42	6200005011	S.COI NLV25T-100J	T	40.1/41.6
L43	6200010680	S.COI C2520C-R22G-A (0.22U)	T	41.2/35.1
L44	6200010740	S.COI C2520C-R27G-A	T	35.9/39.5
L45	6200010150	S.COI AS080340-15N	T	6.4/58.3
L46	6200005711	S.COI ELJRE 27NGFA	B	71.1/68.8
L47	6200012390	S.COI 0.30-0.92-3TR 5.8N [USA-04]	T	65.1/44.7
	6200012390	S.COI 0.30-0.92-3TR 5.8N [EXP-04]		
	6200012390	S.COI 0.30-0.92-3TR 5.8N [USA-02]		
L48	6200012390	S.COI 0.30-0.92-3TR 5.8N [USA-04]	T	65.1/38.2
	6200012390	S.COI 0.30-0.92-3TR 5.8N [EXP-04]		
	6200012390	S.COI 0.30-0.92-3TR 5.8N [USA-02]		
L49	6200004480	S.COI MLF1608D R82K-T	T	23.3/19.4
R1	7030005060	S.RES ERJ2GEJ 333 X (33K)	B	38.6/6
R2	7510001730	S.THE ERTJOEP 473J	T	89.3/32.2
R3	7030005050	S.RES ERJ2GEJ 103 X (10K)	T	78.5/11.6
R4	7030005230	S.RES ERJ2GEJ 334 X (330K)	B	88.8/18.5
R5	7030005090	S.RES ERJ2GEJ 104 X (100K)	T	88.8/33.5
R6	7030005700	S.RES ERJ2GEJ 274 X (270K)	T	87.7/19.4
R7	7030005230	S.RES ERJ2GEJ 334 X (330K)	T	84.3/17.5
R8	7410001130	S.ARR EXB28V102JX	T	86.9/52.4

[MAIN-A UNIT] (For MDC compatible versions)

REF NO.	ORDER NO.	DESCRIPTION	M.	H/V LOCATION
R9	7030007570	S.RES ERJ2GEJ 122 X (1.2K)	B	35.4/11.4
R10	7030007060	S.RES ERJ2GEJ 684X (680K)	B	35.8/13.7
R11	7030010040	S.RES ERJ2GEJ-JPW	T	9.3/12.9
R12	7030004970	S.RES ERJ2GEJ 470 X (47)	T	34.1/6.4
R13	7030007340	S.RES ERJ2GEJ 153 X (15K)	T	8.9/16.5
R14	7030007340	S.RES ERJ2GEJ 153 X (15K)	T	9.3/9.3
R15	7030005070	S.RES ERJ2GEJ 683 X (68K)	B	93.3/14.4
R17	7030007570	S.RES ERJ2GEJ 122 X (1.2K)	B	93.3/15.3
R18	7030008300	S.RES ERJ2GEJ 184 X (180K)	B	81.5/7.3
R19	7030005230	S.RES ERJ2GEJ 334 X (330K)	T	86.3/9.9
R20	7030005090	S.RES ERJ2GEJ 104 X (100K)	T	77.9/8.2
R21	7030005070	S.RES ERJ2GEJ 683 X (68K)	T	88.5/8.9
R22	7030005050	S.RES ERJ2GEJ 103 X (10K)	B	38.6/7.7
R23	7030005050	S.RES ERJ2GEJ 103 X (10K)	B	38.6/9.4
R24	7030005060	S.RES ERJ2GEJ 333 X (33K)	B	37.7/10.7
R25	7030005120	S.RES ERJ2GEJ 102 X (1K)	B	101/51.6
R26	7030004980	S.RES ERJ2GEJ 101 X (100)	B	96/5.4
R27	7030007300	S.RES ERJ2GEJ 332 X (3.3K)	T	53.9/5.6
R28	7030010040	S.RES ERJ2GEJ-JPW	T	59.6/5.4
R29	7030005530	S.RES ERJ2GEJ 100 X (10)	T	114.5/10.2
R30	7030005170	S.RES ERJ2GEJ 474 X (470K)	B	37.7/9.4
R31	7030008410	S.RES ERJ2GEJ 392 X (3.9K)	B	36.8/9
R32	7030007340	S.RES ERJ2GEJ 153 X (15K)	B	37.7/7.7
R33	7030005160	S.RES ERJ2GEJ 105 X (1M)	T	81/8.4
R34	7030005040	S.RES ERJ2GEJ 472 X (4.7K)	T	79/10
R35	7030005120	S.RES ERJ2GEJ 102 X (1K)	T	81.5/7.2
R36	7030007270	S.RES ERJ2GEJ 151 X (150)	B	25.8/14.4
R37	7030005210	S.RES ERJ2GEJ 822 X (8.2K)	B	15/7.3
R38	7030007340	S.RES ERJ2GEJ 153 X (15K)	T	22.9/5.7
R39	7030007340	S.RES ERJ2GEJ 153 X (15K)	T	22.3/9.3
R40	7030005240	S.RES ERJ2GEJ 473 X (47K)	T	26.9/10.6
R41	7030007290	S.RES ERJ2GEJ 222 X (2.2K)	T	26.6/5.5
R42	7030005090	S.RES ERJ2GEJ 104 X (100K)	B	94.6/11.8
R43	7030007300	S.RES ERJ2GEJ 332 X (3.3K)	B	94.6/10
R44	7030007340	S.RES ERJ2GEJ 153 X (15K)	B	90.8/12.9
R45	7030005220	S.RES ERJ2GEJ 223 X (22K)	B	91.6/10
R46	7030005040	S.RES ERJ2GEJ 472 X (4.7K)	T	90.5/13.7
R47	7030005050	S.RES ERJ2GEJ 103 X (10K)	T	90.9/12.7
R48	7030005060	S.RES ERJ2GEJ 333 X (33K)	B	51.1/8.1
R49	7030005160	S.RES ERJ2GEJ 105 X (1M)	B	49.9/13.6
R50	7030005090	S.RES ERJ2GEJ 104 X (100K)	B	49.9/11
R51	7030005290	S.RES ERJ2GEJ 682 X (6.8K)	T	52.6/8.6
R52	7030007340	S.RES ERJ2GEJ 153 X (15K)	B	63.3/12.6
R53	7030005000	S.RES ERJ2GEJ 471 X (470)	T	84.4/38.2
R54	7030005120	S.RES ERJ2GEJ 102 X (1K)	B	81.3/43.4
R55	7030007290	S.RES ERJ2GEJ 222 X (2.2K)	B	83.5/26.5
R56	7030004980	S.RES ERJ2GEJ 101 X (100)	B	81.6/39.1
R57	7030005090	S.RES ERJ2GEJ 104 X (100K)	B	28/14.3
R58	7030004980	S.RES ERJ2GEJ 101 X (100)	T	27/8.2
R59	7030008290	S.RES ERJ2GEJ 183 X (18K)	T	27/7.3
R60	7030005000	S.RES ERJ2GEJ 471 X (470)	T	30.9/9.7
R61	7030005040	S.RES ERJ2GEJ 472 X (4.7K)	T	28.4/8.5
R63	7030005220	S.RES ERJ2GEJ 223 X (22K)	B	91.6/8.3
R64	7030005220	S.RES ERJ2GEJ 223 X (22K)	B	91.6/6.6
R65	7030005090	S.RES ERJ2GEJ 104 X (100K)	B	51.1/9
R67	7030005290	S.RES ERJ2GEJ 682 X (6.8K)	T	53.5/8.6
R68	7030007290	S.RES ERJ2GEJ 222 X (2.2K)	B	53.7/17.7
R69	7030010040	S.RES ERJ2GEJ-JPW	T	85.6/16.8
R71	7030005090	S.RES ERJ2GEJ 104 X (100K)	T	54.5/8.6
R72	7030007290	S.RES ERJ2GEJ 222 X (2.2K)	B	50.9/30.2
R73	7030004980	S.RES ERJ2GEJ 101 X (100)	B	80.3/29.7
R74	7030007570	S.RES ERJ2GEJ 122 X (1.2K)	B	83.1/27.8
R75	7030005290	S.RES ERJ2GEJ 682 X (6.8K)	B	82.6/42.4
R76	7030005050	S.RES ERJ2GEJ 103 X (10K)	B	82.4/33
R77	7030005580	S.RES ERJ2GEJ 560 X (56)	B	83.2/48
R78	7030005220	S.RES ERJ2GEJ 223 X (22K)	B	81.6/37.3
R79	7030007340	S.RES ERJ2GEJ 153 X (15K)	T	51.1/42.8
R80	7030007340	S.RES ERJ2GEJ 153 X (15K)	T	51.1/41.8
R81	7030005090	S.RES ERJ2GEJ 104 X (100K)	B	74.9/45.2
R82	7030005110	S.RES ERJ2GEJ 224 X (220K)	B	71.7/27.3
R83	7030008400	S.RES ERJ2GEJ 182 X (1.8K)	T	32.4/10.6
R85	7030005110	S.RES ERJ2GEJ 224 X (220K)	T	25/19.2
R87	7030007300	S.RES ERJ2GEJ 332 X (3.3K)	T	30.5/19.3
R88	7030005120	S.RES ERJ2GEJ 102 X (1K)	B	90.7/6.6
R90	7030005000	S.RES ERJ2GEJ 471 X (470)	B	89.8/18.5
R91	7030005230	S.RES ERJ2GEJ 334 X (330K)	T	86.4/12.8
R9				

[MAIN-A UNIT] (For MDC compatible versions)

REF NO.	ORDER NO.	DESCRIPTION	M.	H/V LOCATION
R118	7030005700	S.RES ERJ2GEJ 274 X (270K) [USA-03]	T	88.5/9.9
	7030005700	S.RES ERJ2GEJ 274 X (270K) [EXP-03]		
	7030005700	S.RES ERJ2GEJ 274 X (270K) [EUR-03]		
	7030005230	S.RES ERJ2GEJ 334 X (330K) [USA-04]		
	7030005230	S.RES ERJ2GEJ 334 X (330K) [EXP-04]		
	7030005700	S.RES ERJ2GEJ 274 X (270K) [USA-55]		
	7030005700	S.RES ERJ2GEJ 274 X (270K) [USA-56]		
	7030005700	S.RES ERJ2GEJ 274 X (270K) [USA-01]		
	7030005230	S.RES ERJ2GEJ 334 X (330K) [USA-02]		
R120	7030007280	S.RES ERJ2GEJ 331 X (330)	T	26.5/34.4
R122	7030005600	S.RES ERJ2GEJ 273 X (27K)	T	28.8/35.2
R123	7030005600	S.RES ERJ2GEJ 273 X (27K)	T	34.1/35.2
R125	7030007270	S.RES ERJ2GEJ 151 X (150)	T	36.4/34.4
R127	7030005050	S.RES ERJ2GEJ 103 X (10K)	B	78.2/18.7
R128	7030005240	S.RES ERJ2GEJ 473 X (47K)	T	111.5/45.4
R129	7030005040	S.RES ERJ2GEJ 472 X (4.7K)	T	111.1/44.5
R130	7030005070	S.RES ERJ2GEJ 683 X (68K)	T	103.5/41.8
R131	7030005070	S.RES ERJ2GEJ 683 X (68K)	T	103.5/43.6
R132	7030004980	S.RES ERJ2GEJ 101 X (100)	T	113.8/16.5
R133	7030005090	S.RES ERJ2GEJ 104 X (100K)	T	109.6/11.8
R134	7030005160	S.RES ERJ2GEJ 105 X (1M)	T	129.8/25.5
R135	7030005160	S.RES ERJ2GEJ 105 X (1M)	T	129.8/24.2
R136	7030005160	S.RES ERJ2GEJ 105 X (1M)	T	129.8/22.9
R138	7030005530	S.RES ERJ2GEJ 100 X (10)	T	63.8/31.3
R139	7410001140	S.ARR EXB28V104JX	T	133.8/19.8
R140	7030006020	S.RES RR0510P-682-D (6.8K)	T	62.9/44.8
R141	7030006020	S.RES RR0510P-682-D (6.8K)	T	62.9/42.6
R143	7030006020	S.RES RR0510P-682-D (6.8K)	T	62.9/37.8
R144	7030006020	S.RES RR0510P-682-D (6.8K)	T	62.9/36.1
R146	7030006020	S.RES RR0510P-682-D (6.8K)	T	62.9/31.3
R147	7030006020	S.RES RR0510P-682-D (6.8K)	T	62.9/29.6
R148	7030009320	S.RES ERJ2GEJ 4R7 X (4.7)	T	61.6/30.9
R149	7030005110	S.RES ERJ2GEJ 224 X (220K)	B	65.1/32.6
R150	7030008290	S.RES ERJ2GEJ 183 X (18K)	B	79.2/28.2
R151	7030005220	S.RES ERJ2GEJ 223 X (22K) [USA-03]	B	80.5/27.8
	7030005220	S.RES ERJ2GEJ 223 X (22K) [EXP-03]		
	7030005220	S.RES ERJ2GEJ 223 X (22K) [EUR-03]		
	7030008290	S.RES ERJ2GEJ 183 X (18K) [USA-04]		
	7030008290	S.RES ERJ2GEJ 183 X (18K) [EXP-04]		
	7030005220	S.RES ERJ2GEJ 223 X (22K) [USA-55]		
	7030005220	S.RES ERJ2GEJ 223 X (22K) [USA-56]		
	7030005220	S.RES ERJ2GEJ 223 X (22K) [USA-01]		
	7030005220	S.RES ERJ2GEJ 223 X (22K) [CHN-01]		
	7030008290	S.RES ERJ2GEJ 183 X (18K) [USA-02]		
R152	7030005090	S.RES ERJ2GEJ 104 X (100K)	B	81.8/28.2
R153	7030007300	S.RES ERJ2GEJ 332 X (3.3K)	T	36.4/42.1
R154	7030004970	S.RES ERJ2GEJ 470 X (47)	T	42.9/40
R155	7030007290	S.RES ERJ2GEJ 222 X (2.2K)	T	39.9/33
R156	7030004970	S.RES ERJ2GEJ 470 X (47)	T	42.3/41.2
R157	7030005090	S.RES ERJ2GEJ 104 X (100K)	B	30.1/24.9
R158	7030005240	S.RES ERJ2GEJ 473 X (47K)	T	111.1/42.7
R159	7030005240	S.RES ERJ2GEJ 473 X (47K)	T	111.5/40.9
R160	7030005240	S.RES ERJ2GEJ 473 X (47K)	T	113.7/39.9
R161	7030005070	S.RES ERJ2GEJ 683 X (68K)	T	105.4/48.4
R162	7030005240	S.RES ERJ2GEJ 473 X (47K)	T	127.8/17.3
R163	7030005240	S.RES ERJ2GEJ 473 X (47K)	T	128.7/17.2
R164	7030005240	S.RES ERJ2GEJ 473 X (47K)	T	129.6/16.2
R165	7030005230	S.RES ERJ2GEJ 334 X (330K)	T	129.8/21.6
R166	7030005230	S.RES ERJ2GEJ 334 X (330K)	T	129.8/20.3
R167	7030005230	S.RES ERJ2GEJ 334 X (330K)	T	129.8/19
R168	7030011180	S.RES RR0510P-391-D (390)	B	58.5/42.6
R169	7030011180	S.RES RR0510P-391-D (390)	B	58.5/38.4
R170	7030009820	S.RES RR0510P-681-D (680)	B	55.7/31.5
R171	7030005310	S.RES ERJ2GEJ 124 X (120K)	T	57/31.8
R172	7030008280	S.RES ERJ2GEJ 271 X (270)	B	37.5/44.6
R173	7030007270	S.RES ERJ2GEJ 151 X (150)	B	40/32.8
R176	7030005590	S.RES ERJ2GEJ 680 X (68)	B	31.3/37.4
R177	7030005590	S.RES ERJ2GEJ 680 X (68)	B	31.3/35
R178	7030005240	S.RES ERJ2GEJ 473 X (47K)	T	113.7/38.9
R179	7030008300	S.RES ERJ2GEJ 184 X (180K)	T	117.1/34.6
R180	7030005720	S.RES ERJ2GEJ 563 X (56K)	T	117.5/35.6
R181	7030005220	S.RES ERJ2GEJ 223 X (22K)	T	117.1/36.6
R182	7030005120	S.RES ERJ2GEJ 102 X (1K)	T	117.5/33.6
R183	7030005070	S.RES ERJ2GEJ 683 X (68K)	T	103.7/48.4
R184	7030005220	S.RES ERJ2GEJ 223 X (22K)	T	115.4/36.6
R185	7030005070	S.RES ERJ2GEJ 683 X (68K)	B	102.3/45.6
R186	7030005160	S.RES ERJ2GEJ 105 X (1M)	T	81.3/19.3
R187	7030005060	S.RES ERJ2GEJ 333 X (33K)	T	81.3/17.5
R188	7030005090	S.RES ERJ2GEJ 104 X (100K)	T	78.9/14.6
R189	7030005720	S.RES ERJ2GEJ 563 X (56K)	T	78.5/15.8
R190	7030005080	S.RES ERJ2GEJ 823 X (82K)	T	80.9/18.4
R191	7030004980	S.RES ERJ2GEJ 101 X (100)	T	54.2/30.4
R192	7030004980	S.RES ERJ2GEJ 101 X (100)	B	52.6/35.9
R193	7030005050	S.RES ERJ2GEJ 103 X (10K)	B	57.5/31.3
R194	7030005110	S.RES ERJ2GEJ 224 X (220K)	T	53.5/36.7
R195	7030007260	S.RES ERJ2GEJ 330 X (33)	T	51/33.4
R196	7030005050	S.RES ERJ2GEJ 103 X (10K)	B	56.8/35.3
R197	7030005050	S.RES ERJ2GEJ 103 X (10K)	B	55/38.5
R198	7030010090	S.RES ERJ2GEJ 180 X (18)	B	38/46
R199	7030008280	S.RES ERJ2GEJ 271 X (270)	B	38.5/44.6
R200	7030005050	S.RES ERJ2GEJ 103 X (10K)	B	8.4/20.6
R201	7410001130	S.ARR EXB28V102JX	B	117/51.7
R202	7030005090	S.RES ERJ2GEJ 104 X (100K)	T	127.1/46.7
R203	7030005120	S.RES ERJ2GEJ 102 X (1K)	B	126.7/42.2
R204	7410000750	S.ARR EXB-V4V 104JV (100K)	B	129.6/43.4
R205	7030008010	S.RES ERJ2GEJ 123 X (12K)	T	126.2/39.2
R206	7030005120	S.RES ERJ2GEJ 102 X (1K)	B	128.7/37.1
R207	7030005050	S.RES ERJ2GEJ 103 X (10K)	T	120.3/37
R208	7030005050	S.RES ERJ2GEJ 103 X (10K)	T	121/37.7
R209	7410001130	S.ARR EXB28V102JX	B	128.6/39.5
R210	7030008010	S.RES ERJ2GEJ 123 X (12K)	T	123.6/37.9
R211	7030008010	S.RES ERJ2GEJ 123 X (12K)	T	125.5/40.8
R212	7030005160	S.RES ERJ2GEJ 105 X (1M)	T	121.7/40.8

[MAIN-A UNIT] (For MDC compatible versions)

REF NO.	ORDER NO.	DESCRIPTION	M.	H/V LOCATION
R213	7030005070	S.RES ERJ2GEJ 683 X (68K)	T	49/35
R214	7030004980	S.RES ERJ2GEJ 101 X (100)	B	49/35
R215	7030005050	S.RES ERJ2GEJ 103 X (10K)	B	48.8/51.4
R216	7030004980	S.RES ERJ2GEJ 101 X (100) [USA-03]	B	49.8/49.7
	7030005120	S.RES ERJ2GEJ 102 X (1K) [EXP-03]		
	7030005120	S.RES ERJ2GEJ 102 X (1K) [EUR-03]		
	7030004980	S.RES ERJ2GEJ 101 X (100) [USA-04]		
	7030005120	S.RES ERJ2GEJ 102 X (1K) [EXP-04]		
	7030004980	S.RES ERJ2GEJ 101 X (100) [USA-55]		
	7030004980	S.RES ERJ2GEJ 101 X (100) [USA-56]		
	7030004980	S.RES ERJ2GEJ 101 X (100) [USA-01]		
	7030004980	S.RES ERJ2GEJ 101 X (100) [CHN-01]		
	7030004980	S.RES ERJ2GEJ 101 X (100) [USA-02]		
R218	7030010040	S.RES ERJ2GEJ-JPW	T	53.5/34.9
R219	7030005050	S.RES ERJ2GEJ 103 X (10K)	B	46.8/44.6
R220	7030005040	S.RES ERJ2GEJ 472 X (4.7K)	B	49.7/44.8
R221	7030004980	S.RES ERJ2GEJ 101 X (100)	B	46.8/42.9
R222	7030005110	S.RES ERJ2GEJ 224 X (220K)	B	13.5/33.1
R223	7030005110	S.RES ERJ2GEJ 224 X (220K)	B	10.7/33.1
R224	7030005050	S.RES ERJ2GEJ 103 X (10K)	B	10.7/31.4
R225	7030005000	S.RES ERJ2GEJ 471 X (470)	B	8/19.2
R226	7030004980	S.RES ERJ2GEJ 101 X (100)	T	110/51.7
R227	7030005090	S.RES ERJ2GEJ 104 X (100K)	B	106.6/50.3
R228	7410001140	S.ARR EXB28V104JX	T	107.1/50.6
R230	7030005050	S.RES ERJ2GEJ 103 X (10K)	B	124.7/42.7
R232	7030005530	S.RES ERJ2GEJ 100 X (10)	T	120/40.8
R233	7410000750	S.ARR EXB-V4V 104JV (100K)	T	130.1/33.2
R234	7410001130	S.ARR EXB28V102JX	B	128.9/33.4
R235	7030005600	S.RES ERJ2GEJ 273 X (27K)	B	69.9/69.4
R236	7030004970	S.RES ERJ2GEJ 470 X (47)	B	67.7/70.5
R238	7030004980	S.RES ERJ2GEJ 101 X (100)	B	63.6/66.2
R240	7030005090	S.RES ERJ2GEJ 104 X (100K)	B	64.1/65.5
R242	7030005530	S.RES ERJ2GEJ 100 X (10)	B	6.5/34.4
R243	7030009320	S.RES ERJ2GEJ 4R7 X (4.7)	B	13.4/42.4
R244	7030005120	S.RES ERJ2GEJ 102 X (1K) [USA-03]	B	8.6/35.7
	7030005120	S.RES ERJ2GEJ 102 X (1K) [EXP-03]		
	7030005120	S.RES ERJ2GEJ 102 X (1K) [EUR-03]		
	7030005040	S.RES ERJ2GEJ 472 X (4.7K) [USA-04]		
	7030005040	S.RES ERJ2GEJ 472 X (4.7K) [EXP-04]		
	7030005120	S.RES ERJ2GEJ 102 X (1K) [USA-55]		
	7030005120	S.RES ERJ2GEJ 102 X (1K) [USA-56]		
	7030005120	S.RES ERJ2GEJ 102 X (1K) [USA-01]		
	7030005120	S.RES ERJ2GEJ 102 X (1K) [CHN-01]		
	7030005040	S.RES ERJ2GEJ 472 X (4.7K) [USA-02]		
R245	7030005530	S.RES ERJ2GEJ 100 X (10)	B	11.7/38.2
R246	7030005090	S.RES ERJ2GEJ 104 X (100K)	B	11.3/41.5
R247	7030005710	S.RES ERJ2GEJ 121 X (120)	B	7.3/41.2
R248	7410001130	S.ARR EXB28V102JX	B	103.9/47.9
R249	7410001130	S.ARR EXB28V102JX	B	123.6/27.2
R250	7410001130	S.ARR EXB28V102JX	B	121.9/25.3
R251	7410001140	S.ARR EXB28V104JX	T	124.2/27.9
R252	7410001140	S.ARR EXB28V104JX	T	122.1/25.7
R253	7030008290	S.RES ERJ2GEJ 183 X (18K)	T	11.8/40.8
R254	7030005110	S.RES ERJ2GEJ 224 X (220K)	T	7.3/41
R255	7030005240	S.RES ERJ2GEJ 473 X (47K)	B	9/41.9
R257	7030008400	S.RES ERJ2GEJ 127 X (1.27K)	T	7.3/39.7
R258	7030005170	S.RES ERJ2GEJ 474 X (470K)	T	8.4/42.2
R259	7030005090	S.RES ERJ2GEJ 104 X (100K)	B	5.4/46.5
R260	7030005090	S.RES ERJ2GEJ 104 X (100K)	B	5.4/48
R261	7410001130	S.ARR EXB28V102JX	B	99.7/43.5
R262	7410001130	S.ARR EXB28V102JX	T	100.5/37
R263	7410001130	S.ARR EXB28V102JX	B	97/40.7
R264	7410000750	S.ARR EXB-V4V 104JV (100K)	T	103.2/35.4
R265	7030007340	S.RES ERJ2GEJ 153 X (15K)	T	87.7/31
R266	7410001130	S.ARR EX		

[MAIN-A UNIT] (For MDC compatible versions)

REF NO.	ORDER NO.	DESCRIPTION	M.	H/V LOCATION
R296	7030005040	S.RES ERJ2GEJ 472 X (4.7K)	B	50/68.9
R297	7030008010	S.RES ERJ2GEJ 123 X (12K) [USA-03]	B	51.8/70.2
	7030008010	S.RES ERJ2GEJ 123 X (12K) [EXP-03]		
	7030008010	S.RES ERJ2GEJ 123 X (12K) [EUR-03]		
	7030008010	S.RES ERJ2GEJ 123 X (12K) [USA-04]		
	7030005220	S.RES ERJ2GEJ 223 X (22K) [EXP-04]		
	7030008010	S.RES ERJ2GEJ 123 X (12K) [USA-55]		
	7030008010	S.RES ERJ2GEJ 123 X (12K) [USA-56]		
	7030008010	S.RES ERJ2GEJ 123 X (12K) [USA-01]		
	7030008010	S.RES ERJ2GEJ 123 X (12K) [CHN-01]		
	7030008010	S.RES ERJ2GEJ 123 X (12K) [USA-02]		
R298	7030006610	S.RES ERJ2GEJ 394 X (390K)	B	49.2/66.1
R299	7030005110	S.RES ERJ2GEJ 224 X (220K)	B	18.3/33.1
R300	7030005050	S.RES ERJ2GEJ 103 X (10K)	B	99.9/59.6
R301	7030007290	S.RES ERJ2GEJ 222 X (2.2K)	T	106.7/55
R302	7030000440	S.RES MCR10EZHJ 3.3K (332)	T	79.1/64.4
R303	7030000440	S.RES MCR10EZHJ 3.3K (332)	T	81.1/64.4
R304	7030000440	S.RES MCR10EZHJ 3.3K (332)	T	83.1/64.4
R305	7030005050	S.RES ERJ2GEJ 103 X (10K)	T	66.9/54.1
R306	7030005040	S.RES ERJ2GEJ 472 X (4.7K)	T	68.1/53.2
R307	7030005050	S.RES ERJ2GEJ 103 X (10K)	B	35.4/61.7
R308	7410001130	S.ARR EXB28V102JX	T	102.3/63.8
R309	7030005070	S.RES ERJ2GEJ 683 X (68K)	T	94.9/5.4
R310	7030004980	S.RES ERJ2GEJ 101 X (100)	B	109.1/62.5
R311	7030000260	S.RES MCR10EZHJ 100 (101)	B	16/79.4
R312	7030005700	S.RES ERJ2GEJ 274 X (270K)	B	41/61.1
R313	7030003320	S.RES ERJ3GEYJ 101 V (100)	B	11.2/58
R314	7030007340	S.RES ERJ2GEJ 153 X (15K) [USA-03]	B	10/55.3
	7030008400	S.RES ERJ2GEJ 182 X (1.8K) [EXP-03]		
	7030008400	S.RES ERJ2GEJ 182 X (1.8K) [EUR-03]		
	7030007340	S.RES ERJ2GEJ 153 X (15K) [USA-04]		
	7030007340	S.RES ERJ2GEJ 153 X (15K) [EXP-04]		
	7030007340	S.RES ERJ2GEJ 153 X (15K) [USA-55]		
	7030007340	S.RES ERJ2GEJ 153 X (15K) [USA-56]		
	7030007340	S.RES ERJ2GEJ 153 X (15K) [USA-01]		
	7030007340	S.RES ERJ2GEJ 153 X (15K) [CHN-01]		
	7030007340	S.RES ERJ2GEJ 153 X (15K) [USA-02]		
R315	7030000220	S.RES MCR10EZHJ 47 (470)	B	3/61.6
R316	7030005170	S.RES ERJ2GEJ 474 X (470K)	T	92.7/10.3
R317	7030005160	S.RES ERJ2GEJ 105 X (1M)	B	116.5/86.3
R318	7030005160	S.RES ERJ2GEJ 105 X (1M)	B	113.7/83.8
R319	7030005120	S.RES ERJ2GEJ 102 X (1K)	B	114/82.6
R320	7030005160	S.RES ERJ2GEJ 105 X (1M)	B	112.9/86.3
R321	7030004970	S.RES ERJ2GEJ 470 X (47)	B	112.1/84.5
R322	7030007340	S.RES ERJ2GEJ 153 X (15K) [USA-03]	B	4.6/80.9
	7030008400	S.RES ERJ2GEJ 182 X (1.8K) [EXP-03]		
	7030008400	S.RES ERJ2GEJ 182 X (1.8K) [EUR-03]		
	7030007340	S.RES ERJ2GEJ 153 X (15K) [USA-04]		
	7030007340	S.RES ERJ2GEJ 153 X (15K) [EXP-04]		
	7030007340	S.RES ERJ2GEJ 153 X (15K) [USA-55]		
	7030007340	S.RES ERJ2GEJ 153 X (15K) [USA-56]		
	7030007340	S.RES ERJ2GEJ 153 X (15K) [USA-01]		
	7030007340	S.RES ERJ2GEJ 153 X (15K) [CHN-01]		
	7030007340	S.RES ERJ2GEJ 153 X (15K) [USA-02]		
R323	7030003320	S.RES ERJ3GEYJ 101 V (100)	B	6.8/80.9
R324	7030000620	S.RES MCR10EZHJ 100 K (104)	T	6.1/83.1
R325	7030005050	S.RES ERJ2GEJ 103 X (10K)	B	131.2/45.3
R326	7030005090	S.RES ERJ2GEJ 104 X (100K)	B	131.6/51.7
R327	7030007290	S.RES ERJ2GEJ 222 X (2.2K)	B	131.1/54.2
R328	7030005090	S.RES ERJ2GEJ 104 X (100K)	B	134.1/51.7
R332	7030005090	S.RES ERJ2GEJ 104 X (100K)	T	109.4/24.2
R333	7030005120	S.RES ERJ2GEJ 102 X (1K)	T	112.6/29.5
R334	7520000270	S.POS PRG21BC4R7MM1RA	T	108.1/77.4
R335	7030005050	S.RES ERJ2GEJ 103 X (10K)	T	108/78.8
R336	7030005120	S.RES ERJ2GEJ 102 X (1K)	T	112.2/80
R337	7410001130	S.ARR EXB28V102JX	T	104.8/77
R338	7030005651	S.RES ERA3YKD 304V (300K)	B	99.9/57.9
R339	7030005871	S.RES ERA3YKD 104V (100K)	B	99.9/56.5
R340	7030003560	S.RES ERJ3GEYJ 103 V (10K)	T	136.3/65.7
R341	7030003560	S.RES ERJ3GEYJ 103 V (10K)	B	130.7/85.9
R342	7030005090	S.RES ERJ2GEJ 104 X (100K)	B	135.4/52.2
R343	7030007290	S.RES ERJ2GEJ 222 X (2.2K)	B	138.1/49.4
R344	7030005110	S.RES ERJ2GEJ 224 X (220K)	B	133.3/54.6
R345	7030005110	S.RES ERJ2GEJ 224 X (220K)	B	133.3/56.3
R346	7030005040	S.RES ERJ2GEJ 472 X (4.7K)	B	137/52.2
R347	7030005050	S.RES ERJ2GEJ 103 X (10K)	B	137.8/53.7
R348	7030005700	S.RES ERJ2GEJ 274 X (270K)	B	131.3/75.6
R349	7030005090	S.RES ERJ2GEJ 104 X (100K)	B	130.4/76.7
R350	7030005120	S.RES ERJ2GEJ 102 X (1K)	B	140/47.6
R351	7030004980	S.RES ERJ2GEJ 101 X (100)	B	134.5/36.5
R352	7030008300	S.RES ERJ2GEJ 184 X (180K)	B	140.1/38.5
R353	7030005230	S.RES ERJ2GEJ 334 X (330K)	B	139.3/34.8
R354	7030010040	S.RES ERJ2GEJ-JPW	T	140.4/36
R355	7030008280	S.RES ERJ2GEJ 271 X (270)	B	138/34.8
R356	7540000290	ABS ERZV10D220	B	
R359	7030005090	S.RES ERJ2GEJ 104 X (100K)	B	112.6/80.5
R360	7030005090	S.RES ERJ2GEJ 104 X (100K)	T	78.4/5.3
R361	7030005600	S.RES ERJ2GEJ 273 X (27K)	T	76.7/18.3
R362	7030005050	S.RES ERJ2GEJ 103 X (10K)	T	121.7/48.6
R363	7030005120	S.RES ERJ2GEJ 102 X (1K)	T	42.9/38.2
R364	7030005040	S.RES ERJ2GEJ 472 X (4.7K)	T	42/37.2
R366	7030005050	S.RES ERJ2GEJ 103 X (10K)	B	131.4/63.4
R367	7030005000	S.RES ERJ2GEJ 471 X (470)	B	130.1/63
R368	7030005050	S.RES ERJ2GEJ 103 X (10K)	T	80.6/7.2
R370	7030005810	S.RES RR0510P-152-D (1.5K)	B	78.4/35.7
R371	7030005120	S.RES ERJ2GEJ 102 X (1K)	B	78.7/44.7
R372	7030010040	S.RES ERJ2GEJ-JPW	B	39.5/8.1
R373	7030010040	S.RES ERJ2GEJ-JPW	B	50.4/12.3
R374	7030005050	S.RES ERJ2GEJ 103 X (10K)	T	117.9/83.3
R375	7030009140	S.RES ERJ2GEJ 272 X (2.7K)	T	29.2/5.3
R376	7030005040	S.RES ERJ2GEJ 472 X (4.7K)	T	75.8/18.3
R377	7030005160	S.RES ERJ2GEJ 105 X (1M)	B	112.9/12.2
R378	7030005160	S.RES ERJ2GEJ 105 X (1M)	B	114.2/12.7
R379	7410001140	S.ARR EXB28V104JX	B	99.9/18

[MAIN-A UNIT] (For MDC compatible versions)

REF NO.	ORDER NO.	DESCRIPTION	M.	H/V LOCATION
R380	7030005090	S.RES ERJ2GEJ 104 X (100K)	T	110.9/22.2
R385	7030010040	S.RES ERJ2GEJ-JPW	T	64.8/76.6
R386	7410000750	S.ARR EXB-V4V 104JV (100K)	T	110.1/30.2
R387	7030005120	S.RES ERJ2GEJ 102 X (1K)	T	104.8/86.7
R388	7030005120	S.RES ERJ2GEJ 102 X (1K)	T	108.8/86.7
R389	7030005050	S.RES ERJ2GEJ 103 X (10K)	T	103.8/38.2
R390	7030008300	S.RES ERJ2GEJ 184 X (180K)	B	25.1/10.4
R391	7030005120	S.RES ERJ2GEJ 102 X (1K)	B	27.8/7.2
R392	7030008400	S.RES ERJ2GEJ 182 X (1.8K)	B	32.8/7.3
R393	7030004980	S.RES ERJ2GEJ 101 X (100)	B	32.8/8.2
R394	7030004980	S.RES ERJ2GEJ 101 X (100)	B	26/8.8
R395	7030005290	S.RES ERJ2GEJ 682 X (6.8K)	B	26/7.2
R396	7030009290	S.RES ERJ2GEJ 562 X (5.6K)	B	26.9/5.6
R397	7030005120	S.RES ERJ2GEJ 102 X (1K)	B	79.6/48.3
R398	7030005030	S.RES ERJ2GEJ 152 X (1.5K)	B	26.9/7.2
R399	7030005050	S.RES ERJ2GEJ 103 X (10K)	B	97.7/11.3
C1	4030017420	S.CER ECJ0EC1H470J	T	88.9/54.3
C2	4030017420	S.CER ECJ0EC1H470J	T	89.9/54.3
C3	4030017420	S.CER ECJ0EC1H470J	T	41.7/15.3
C4	4030017420	S.CER ECJ0EC1H470J	B	50.4/14.9
C5	4030016930	S.CER ECJ0EB1A104K	T	89.8/34.6
C6	4550006250	S.TAN TEESVA 1A 106M8R	B	77.3/49.9
C8	4030017420	S.CER ECJ0EC1H470J	T	89.9/52
C9	4030016930	S.CER ECJ0EB1A104K	T	88.9/52
C10	4030016930	S.CER ECJ0EB1A104K	T	79.8/51
C11	4030016930	S.CER ECJ0EB1A104K	T	9.3/18.1
C12	4030016930	S.CER ECJ0EB1A104K	T	9.3/11.1
C13	4030016930	S.CER ECJ0EB1A104K	T	82.8/6.6
C14	4030016930	S.CER ECJ0EB1A104K	T	86.3/8.9
C15	4030017460	S.CER ECJ0EB1E102K	T	41.5/7.7
C16	4550000460	S.TAN TEESVA 1C 105M8R	T	42.7/6.2
C17	4550000460	S.TAN TEESVA 1C 105M8R	B	43/6.2
C18	4030017420	S.CER ECJ0EC1H470J	T	41.7/14
C19	4030017420	S.CER ECJ0EC1H470J	B	50.4/15.8
C20	4030016970	S.CER ECJ0EB1C223K	B	101/52.7
C21	4030017420	S.CER ECJ0EC1H470J	T	41.7/16.9
C22	4030017420	S.CER ECJ0EC1H470J	T	41.7/12.7
C23	4030016930	S.CER ECJ0EB1A104K	T	52.2/5.6
C24	4030017660	S.CER ECJ0EC1H330J	B	39.5/9.8
C25	4030017420	S.CER ECJ0EC1H470J	T	60.9/5.9
C26	4030016930	S.CER ECJ0EB1A104K	B	37.7/6
C27	4030018240	S.CER ECJ0EB1E562K	B	36.8/7.3
C28	4030016970	S.CER ECJ0EB1C103K	T	78.1/9.5
C29	4030017460	S.CER ECJ0EB1E102K	T	78.5/12.5
C30	4030016930	S.CER ECJ0EB1A104K	T	78.5/13.4
C31	4030017460	S.CER ECJ0EB1E102K	T	82/50.5
C32	4030017500	S.CER ECJ0EC1H560J	B	33.3/15.9
C33	4030016930	S.CER ECJ0EB1A104K	B	35.8/12.7
C34	4030017570	S.CER ECJ0EC1H040B	B	32/15.4
C35	4030017590	S.CER ECJ0EC1H070C	B	30.8/15.9
C36	4030016930	S.CER ECJ0EB1A104K	T	22.9/15
C37	4030017360	S.CER ECJ0EC1H030B	B	28.1/15.4
C38	4030016930	S.CER ECJ0EB1A104K	T	22/5.7
C39	4030016930	S.CER ECJ0EB1A104K	B	15/5.7
C40	4030016930	S.CER ECJ0EB1A104K	T	24.2/5.6
C41	4030016930	S.CER ECJ0EB1A104K	T	22.2/12.5
C42	4030016930	S.CER ECJ0EB1A104K	T	23.1/12.5
C43	4030017910	S.CER ECJ0EB1H152K	T	27.4/9.4
C44	4030017910	S.CER ECJ0EB1H152K	T	26.5/9.4
C45	4030017790	S.CER ECJ0EB1E682K	B	92.6/10
C46	4030016930	S.CER ECJ0EB1A104K	B	93.6/10
C47	4030016970	S.CER ECJ0EB1C223K	T	90.9/14.7
C48	4030017710	S.CER ECJ0EC1H181J	B	49.9/1.9
C49	4550006250	S.TAN TEESVA 1A 106M8R	T	54.8/15.4
C50	4030017460	S.CER ECJ0EB1E102K	T	55.4/12.1
C51	4030017400	S.CER ECJ0EC1H220J	T	46.3/18.8
C52	4030017400	S.CER ECJ0EC1H220J	T	44.7/7.8
C53	4030017900	S.CER ECJ0EB1C123K	B	63.7/10.8
C54	4030018080	S.CER ECJ0EB1H182K	B	63.7/11.7
C55	4030016970	S.CER ECJ0EB1C103K	B	49.2/30.2
C56	4030017620	S.CER ECJ0EC1H100C	T	83.4/36.5
C57	4030016930	S.CER ECJ0EB1A104K	T	84.8/31
C58	4030017430	S.CER ECJ0EB1H101J	T	85.7/38.8
C59	4030017460	S.CER ECJ0EB1E102K	T	81.8/24.8
C60	4030017420	S.CER ECJ0EC1H470J	T	83/41.5
C61	4030017620	S.CER ECJ0EC1H100C	T	84.4/40.2
C62	4030017650	S.CER ECJ0EC1H270J	T	81.2/41.5
C65	4030017460	S.CER ECJ0EB1E102K	T	28.7/10.6
C66	4550006250	S.TAN TEESVA 1A 106M8R	T	30.7/6.9
C67	4030017460	S.CER ECJ0EB1E102K	T	26.6/4.4
C68	4030017460	S.CER ECJ0EB1E102K	T	30.5/8.5
C69	4030017460	S.CER ECJ0EB1E102K	T	32.6/15.4
C70	4030017420	S.CER ECJ0EC1H470J	B	30.6/14.3
C71	4030016940	S.CER ECJ0EB1A393K	B	92.6/8.3
C72	4030018860	S.CER ECJ0EB0J105K		

[MAIN-A UNIT] (For MDC compatible versions)

REF NO.	ORDER NO.	DESCRIPTION	M.	H/V LOCATION
C89	4030017550	S.CER ECJ0EC1H1R5B	[USA-03]	T 53.9/41.8
	4030017550	S.CER ECJ0EC1H1R5B	[EXP-03]	
	4030017550	S.CER ECJ0EC1H1R5B	[EUR-03]	
	4030017340	S.CER ECJ0EC1H010B	[USA-04]	
	4030017340	S.CER ECJ0EC1H010B	[EXP-04]	
	4030017550	S.CER ECJ0EC1H1R5B	[USA-55]	
	4030017550	S.CER ECJ0EC1H1R5B	[USA-56]	
	4030017550	S.CER ECJ0EC1H1R5B	[USA-01]	
	4030017550	S.CER ECJ0EC1H1R5B	[CHN-01]	
	4030017340	S.CER ECJ0EC1H010B	[USA-02]	
C91	4030016790	S.CER ECJ0EB1C103K	T	27.3/17.3
C92	4030017460	S.CER ECJ0EB1E102K	T	25.2/20.9
C93	4030017680	S.CER ECJ0EC1H820J	T	32.4/12.5
C94	4030017460	S.CER ECJ0EB1E102K	B	30.6/13.4
C95	4030016790	S.CER ECJ0EB1C103K	T	28.8/19.3
C98	4030016930	S.CER ECJ0EB1A104K	B	89.3/7.4
C99	4030016930	S.CER ECJ0EB1A104K	B	90.8/14.6
C100	4030016930	S.CER ECJ0EB1A104K	T	86.1/15.6
C101	4030017710	S.CER ECJ0EC1H181J	T	83.9/7.5
C102	4030016930	S.CER ECJ0EB1A104K	T	106.7/34.7
C103	4030016930	S.CER ECJ0EB1A104K	B	55.3/19.5
C104	4550000270	S.TAN TEESVA 1E 474M8R	B	76.6/32.9
C105	4030017420	S.CER ECJ0EC1H470J	T	74.2/41.3
C107	4030016930	S.CER ECJ0EB1A104K	B	72.9/43.4
C110	4030017420	S.CER ECJ0EC1H470J	B	74.2/34.8
C111	4030016930	S.CER ECJ0EB1A104K	B	73.9/28.3
C112	4030017460	S.CER ECJ0EB1E102K	T	73/27.4
C113	4030017420	S.CER ECJ0EC1H470J	T	74.2/28.3
C114	4030016790	S.CER ECJ0EB1C103K	T	24.3/20.9
C115	4030016790	S.CER ECJ0EB1C103K	T	21.5/21.1
C116	4030016790	S.CER ECJ0EB1C103K	T	26.6/22.5
C119	4030017640	S.CER ECJ0EC1H150J	T	20.3/27.9
C120	4030016790	S.CER ECJ0EB1C103K	T	32.2/22.5
C123	4030017660	S.CER ECJ0EC1H330J	T	40/28
C124	4030016930	S.CER ECJ0EB1A104K	B	90.8/17.4
C126	4030016930	S.CER ECJ0EB1A104K	T	82.7/21.2
C128	4030016930	S.CER ECJ0EB1A104K	T	80/20.2
C129	4030016930	S.CER ECJ0EB1A104K	B	63.7/16
C130	4030016930	S.CER ECJ0EB1A104K	B	134.8/16.8
C131	4030017660	S.CER ECJ0EC1H330J	B	137.5/23.8
C132	4030017660	S.CER ECJ0EC1H330J	B	137.5/18.8
C133	4030017580	S.CER ECJ0EC1H060C	[USA-03]	T 69/43.9
	4030017580	S.CER ECJ0EC1H060C	[EXP-03]	
	4030017580	S.CER ECJ0EC1H060C	[EUR-03]	
	4030017380	S.CER ECJ0EC1H050B	[USA-04]	
	4030017380	S.CER ECJ0EC1H050B	[EXP-04]	
	4030017580	S.CER ECJ0EC1H060C	[USA-55]	
	4030017580	S.CER ECJ0EC1H060C	[USA-56]	
	4030017580	S.CER ECJ0EC1H060C	[USA-01]	
	4030017580	S.CER ECJ0EC1H060C	[CHN-01]	
	4030017380	S.CER ECJ0EC1H050B	[USA-02]	
C134	4030017590	S.CER ECJ0EC1H070C	T	70.3/43
C135	4030017590	S.CER ECJ0EC1H070C	T	69/37.4
C136	4030017460	S.CER ECJ0EB1E102K	B	84.1/27.8
C137	4030017670	S.CER ECJ0EC1H390J	[USA-03]	T 70.3/30
	4030017670	S.CER ECJ0EC1H390J	[EXP-03]	
	4030017670	S.CER ECJ0EC1H390J	[EUR-03]	
	4030017630	S.CER ECJ0EC1H120J	[USA-04]	
	4030017630	S.CER ECJ0EC1H120J	[EXP-04]	
	4030017670	S.CER ECJ0EC1H390J	[USA-55]	
	4030017670	S.CER ECJ0EC1H390J	[USA-56]	
	4030017670	S.CER ECJ0EC1H390J	[CHN-01]	
	4030017670	S.CER ECJ0EC1H390J	[USA-01]	
	4030017630	S.CER ECJ0EC1H120J	[USA-02]	
C138	4030017640	S.CER ECJ0EC1H150J	[USA-03]	T 69/30.9
	4030017640	S.CER ECJ0EC1H150J	[EXP-03]	
	4030017640	S.CER ECJ0EC1H150J	[EUR-03]	
	4030017620	S.CER ECJ0EC1H100C	[USA-04]	
	4030017620	S.CER ECJ0EC1H100C	[EXP-04]	
	4030017640	S.CER ECJ0EC1H150J	[USA-55]	
	4030017640	S.CER ECJ0EC1H150J	[USA-56]	
	4030017640	S.CER ECJ0EC1H150J	[USA-01]	
	4030017640	S.CER ECJ0EC1H150J	[CHN-01]	
	4030017620	S.CER ECJ0EC1H100C	[USA-02]	
C139	4030017630	S.CER ECJ0EC1H120J	[USA-03]	T 70.3/36.5
	4030017630	S.CER ECJ0EC1H120J	[EXP-03]	
	4030017630	S.CER ECJ0EC1H120J	[EUR-03]	
	4030017620	S.CER ECJ0EC1H100C	[USA-04]	
	4030017620	S.CER ECJ0EC1H100C	[EXP-04]	
	4030017630	S.CER ECJ0EC1H120J	[USA-55]	
	4030017630	S.CER ECJ0EC1H120J	[USA-56]	
	4030017630	S.CER ECJ0EC1H120J	[USA-01]	
	4030017630	S.CER ECJ0EC1H120J	[CHN-01]	
	4030017620	S.CER ECJ0EC1H100C	[USA-02]	
C140	4030017460	S.CER ECJ0EB1E102K	T	73/40.4
C141	4030017460	S.CER ECJ0EB1E102K	T	73/33.9
C142	4030018860	S.CER ECJ0EB0J105K	T	90.1/10.7
C143	4030017340	S.CER ECJ0EC1H010B	T	64.7/31.3
C145	4030016790	S.CER ECJ0EB1C103K	T	27.8/35.2
C146	4030017610	S.CER ECJ0EC1H090C	T	36.4/33.4
C147	4030016790	S.CER ECJ0EB1C103K	T	35.1/35.2
C148	4030016790	S.CER ECJ0EB1C103K	T	29.9/33.9
C149	4030016930	S.CER ECJ0EB1A104K	B	76.5/18.7
C150	4030018560	S.CER C2012 JB 1A 475K-T	B	89/22
C151	4030016930	S.CER ECJ0EB1A104K	T	111.1/46.3
C152	4030016930	S.CER ECJ0EB1A104K	T	108.5/35.7
C153	4030017460	S.CER ECJ0EB1E102K	T	110.3/35.6
C154	4030018860	S.CER ECJ0EB0J105K	T	83.2/19.8
C155	4030017420	S.CER ECJ0EC1H470J	T	110.3/37.9
C156	4030017910	S.CER ECJ0EB1H152K	T	103.2/42.7
C157	4030017420	S.CER ECJ0EC1H470J	T	110.7/47.2
C158	4030017430	S.CER ECJ0EC1H101J	T	108.5/36.7
C159	4030017460	S.CER ECJ0EB1E102K	B	118.5/9.4
C160	4030017460	S.CER ECJ0EB1E102K	B	130.6/25.4

[MAIN-A UNIT] (For MDC compatible versions)

REF NO.	ORDER NO.	DESCRIPTION	M.	H/V LOCATION
C161	4030017610	S.CER ECJ0EC1H090C	[USA-03]	T 64.2/43
	4030017610	S.CER ECJ0EC1H090C	[EXP-03]	
	4030017610	S.CER ECJ0EC1H090C	[EUR-03]	
	4030017620	S.CER ECJ0EC1H100C	[USA-04]	
	4030017620	S.CER ECJ0EC1H100C	[EXP-04]	
	4030017610	S.CER ECJ0EC1H090C	[USA-55]	
	4030017610	S.CER ECJ0EC1H090C	[USA-56]	
	4030017610	S.CER ECJ0EC1H090C	[USA-01]	
	4030017610	S.CER ECJ0EC1H090C	[CHN-01]	
	4030017620	S.CER ECJ0EC1H100C	[USA-02]	
C162	4030017380	S.CER ECJ0EC1H050B	[USA-03]	T 68.6/45.2
	4030017380	S.CER ECJ0EC1H050B	[EXP-03]	
	4030017380	S.CER ECJ0EC1H050B	[EUR-03]	
	4030017580	S.CER ECJ0EC1H060C	[USA-04]	
	4030017580	S.CER ECJ0EC1H060C	[EXP-04]	
	4030017380	S.CER ECJ0EC1H050B	[USA-55]	
	4030017380	S.CER ECJ0EC1H050B	[USA-56]	
	4030017380	S.CER ECJ0EC1H050B	[USA-01]	
	4030017380	S.CER ECJ0EC1H050B	[CHN-01]	
	4030017580	S.CER ECJ0EC1H060C	[USA-02]	
C163	4030017610	S.CER ECJ0EC1H090C	[USA-03]	T 64.2/36.5
	4030017610	S.CER ECJ0EC1H090C	[EXP-03]	
	4030017610	S.CER ECJ0EC1H090C	[EUR-03]	
	4030017390	S.CER ECJ0EC1H180J	[USA-04]	
	4030017390	S.CER ECJ0EC1H180J	[EXP-04]	
	4030017610	S.CER ECJ0EC1H090C	[USA-55]	
	4030017610	S.CER ECJ0EC1H090C	[USA-56]	
	4030017610	S.CER ECJ0EC1H090C	[USA-01]	
	4030017610	S.CER ECJ0EC1H090C	[CHN-01]	
	4030017390	S.CER ECJ0EC1H180J	[USA-02]	
C164	4030017380	S.CER ECJ0EC1H050B	[USA-03]	T 61.6/44.8
	4030017380	S.CER ECJ0EC1H050B	[EXP-03]	
	4030017380	S.CER ECJ0EC1H050B	[EUR-03]	
	4030017570	S.CER ECJ0EC1H040B	[USA-04]	
	4030017570	S.CER ECJ0EC1H040B	[EXP-04]	
	4030017380	S.CER ECJ0EC1H050B	[USA-55]	
	4030017380	S.CER ECJ0EC1H050B	[USA-56]	
	4030017380	S.CER ECJ0EC1H050B	[USA-01]	
	4030017380	S.CER ECJ0EC1H050B	[CHN-01]	
	4030017570	S.CER ECJ0EC1H040B	[USA-02]	
C165	4030017630	S.CER ECJ0EC1H120J	[USA-03]	T 60.3/45.2
	4030017630	S.CER ECJ0EC1H120J	[EXP-03]	
	4030017620	S.CER ECJ0EC1H100C	[USA-04]	
	4030017620	S.CER ECJ0EC1H100C	[EXP-04]	
	4030017630	S.CER ECJ0EC1H120J	[USA-55]	
	4030017630	S.CER ECJ0EC1H120J	[USA-56]	
	4030017630	S.CER ECJ0EC1H120J	[USA-01]	
	4030017630	S.CER ECJ0EC1H120J	[CHN-01]	
	4030017630	S.CER ECJ0EC1H120J	[USA-02]	
C166	4030017380	S.CER ECJ0EC1H050B	[USA-03]	T 68.6/38.7
	4030017380	S.CER ECJ0EC1H050B	[EXP-03]	
	4030017380	S.CER ECJ0EC1H050B	[EUR-03]	
	4030017580	S.CER ECJ0EC1H060C	[USA-04]	
	4030017580	S.CER ECJ0EC1H060C	[EXP-04]	
	4030017380	S.CER ECJ0EC1H050B	[USA-55]	
	4030017380	S.CER ECJ0EC1H050B	[USA-56]	
	4030017380	S.CER ECJ0EC1H050B	[USA-01]	
	4030017380	S.CER ECJ0EC1H050B	[CHN-01]	
	4030017580	S.CER ECJ0EC1H060C	[USA-02]	
C167	4030017640	S.CER ECJ0EC1H150J	[USA-03]	T 64.2/30
C168	4030017590	S.CER ECJ0EC1H070C	[USA-03]	T 61.6/38.3
	4030017590	S.CER ECJ0EC1H070C	[EXP-03]	
	4030017590	S.CER ECJ0EC1H070C	[EUR-03]	
	4030017610	S.CER ECJ0EC1H090C	[USA-04]	
	4030017610	S.CER ECJ0EC1H090C	[EXP-04]	
	4030017590	S.CER ECJ0EC1H070C	[USA-55]	
	4030017590	S.CER ECJ0EC1H070C	[USA-56]	
	4030017590	S.CER ECJ0EC1H070C	[USA-01]	
	4030017590	S.CER ECJ0EC1H070C	[CHN-01]	
	4030017610	S.CER ECJ0EC1H090C	[USA-02]	
C169	4030017390	S.CER ECJ0EC1H180J	[USA-03]	T 60.3/38.7
C170	4030017340	S.CER ECJ0EC1H010B	[USA-03]	T 65.6/31.3
C171	4030017370	S.CER ECJ0EC1H3R5B	[USA-03]	T 68.6/32.2
	4030017370	S.CER ECJ0EC1H3R5B	[EXP-03]	
	4030017370	S.CER ECJ0EC1H3R5B	[EUR-03]	
	4030017560	S.CER ECJ0EC1H2R5B	[USA-04]	
	4030017560	S.CER ECJ0EC1H2R5B	[EXP-04]	
	4030017370	S.CER ECJ0EC1H3R5B	[USA-55]	
	4030017370	S.CER ECJ0EC1H3R5B	[USA-56]	
	4030017370	S.CER ECJ0EC1H3R5B	[USA-01]	
	4030017370	S.CER ECJ0EC1H3R5B	[CHN-01]	
	4030017560	S.CER ECJ0EC1H2R5B	[USA-02]	
C172	4030017600			

[MAIN-A UNIT] (For MDC compatible versions)

REF NO.	ORDER NO.	DESCRIPTION	M.	H/V LOCATION
C175	4030016790	S.CER ECJ0EB1C103K	B	41.4/39.4
C176	4030016930	S.CER ECJ0EB1A104K	B	41.2/32.8
C177	4030017730	S.CER ECJ0EB1E471K	B	42.1/32.8
C178	4030016790	S.CER ECJ0EB1C103K	B	34.6/32.9
C180	4030017740	S.CER ECJ0EB1E821K	T	108.8/47.5
C181	4030016930	S.CER ECJ0EB1A104K	T	111.5/43.6
C182	4030016780	S.CER ECJ0EB1C153K	T	112/39.9
C183	4030017420	S.CER ECJ0EC1H470J	T	103.8/44.5
C184	4030017760	S.CER ECJ0EB1H222K	T	105.4/47.5
C185	4030017690	S.CER ECJ0EC1H121J	T	107.1/47.5
C186	4030016930	S.CER ECJ0EB1A104K	T	62.6/40.9
C187	4030017460	S.CER ECJ0EB1E102K	T	63.5/40.9
C188	4030016790	S.CER ECJ0EB1C103K	T	62.6/34.4
C189	4030017460	S.CER ECJ0EB1E102K	T	63.5/34.4
C190	4030017540	S.CER ECJ0EC1HR75B	T	58.6/42.7
C191	4030016790	S.CER ECJ0EB1C103K	T	62.6/27.9
C192	4030017530	S.CER ECJ0EC1H0R5B	T	58.6/36.2
C193	4030017460	S.CER ECJ0EB1E102K	T	63.5/27.9
C194	4030017530	S.CER ECJ0EC1H0R5B	T	58.9/31.8
C195	4030016930	S.CER ECJ0EB1A104K	B	40.3/30.2
C196	4030017730	S.CER ECJ0EB1E471K	B	38.7/32.2
C197	4030016930	S.CER ECJ0EB1A104K	B	38.7/32.3
C198	4030017730	S.CER ECJ0EB1E471K	B	31.3/38.3
C199	4030016930	S.CER ECJ0EB1A104K	B	31.3/39.2
C200	4030016930	S.CER ECJ0EB1A104K	B	31.3/34.1
C201	4030017730	S.CER ECJ0EB1E471K	B	31.3/35.9
C202	4030017460	S.CER ECJ0EB1E102K	T	112/38.9
C203	4030017460	S.CER ECJ0EB1E102K	B	100.5/47.4
C204	4030017420	S.CER ECJ0EC1H470J	B	66.4/33.1
C205	4030018900	S.CER ECJ0EB0J474K	T	79.6/19.3
C206	4030016930	S.CER ECJ0EB1A104K	T	78.5/16.7
C207	4030017730	S.CER ECJ0EB1E471K	T	54.2/27.8
C208	4030017460	S.CER ECJ0EB1E102K	T	55.3/32.2
C209	4030017460	S.CER ECJ0EB1E102K	B	53.6/35.9
C210	4030017380	S.CER ECJ0EC1H050B	T	52.7/33.4
C211	4030017580	S.CER ECJ0EC1H060C	T	54.7/34.9
C212	4030017460	S.CER ECJ0EB1E102K	T	53.9/38
C213	4030017460	S.CER ECJ0EB1E102K	B	55.8/42.5
C214	4030017460	S.CER ECJ0EB1E102K	B	58.6/34.7
C215	4030017580	S.CER ECJ0EC1H060C	B	39.5/44.6
		4030017580	S.CER ECJ0EC1H060C	[USA-03]
		4030017580	S.CER ECJ0EC1H060C	[EXP-03]
		4030017580	S.CER ECJ0EC1H060C	[EUR-03]
		4030017620	S.CER ECJ0EC1H100C	[USA-04]
		4030017620	S.CER ECJ0EC1H100C	[EXP-04]
		4030017580	S.CER ECJ0EC1H060C	[USA-55]
		4030017580	S.CER ECJ0EC1H060C	[USA-56]
		4030017580	S.CER ECJ0EC1H060C	[USA-01]
		4030017580	S.CER ECJ0EC1H060C	[CHN-01]
		4030017620	S.CER ECJ0EC1H100C	[USA-02]
C216	4030017630	S.CER ECJ0EC1H120J	B	41.5/44.6
		4030017630	S.CER ECJ0EC1H120J	[USA-03]
		4030017630	S.CER ECJ0EC1H120J	[EXP-03]
		4030017630	S.CER ECJ0EC1H120J	[EUR-03]
		4030017390	S.CER ECJ0EC1H180J	[USA-04]
		4030017390	S.CER ECJ0EC1H180J	[EXP-04]
		4030017630	S.CER ECJ0EC1H120J	[USA-55]
		4030017630	S.CER ECJ0EC1H120J	[USA-56]
		4030017630	S.CER ECJ0EC1H120J	[USA-01]
		4030017630	S.CER ECJ0EC1H120J	[CHN-01]
		4030017390	S.CER ECJ0EC1H180J	[USA-02]
C217	4030017730	S.CER ECJ0EB1E471K	B	25.4/33.2
C218	4030016930	S.CER ECJ0EB1A104K	B	23.8/33.2
C219	4030017570	S.CER ECJ0EC1H040B	B	22.7/36.5
		4030017570	S.CER ECJ0EC1H040B	[USA-03]
		4030017570	S.CER ECJ0EC1H040B	[EXP-03]
		4030017570	S.CER ECJ0EC1H040B	[EUR-03]
		4030017570	S.CER ECJ0EC1H040B	[USA-55]
		4030017570	S.CER ECJ0EC1H040B	[USA-56]
		4030017570	S.CER ECJ0EC1H040B	[USA-01]
		4030017570	S.CER ECJ0EC1H040B	[CHN-01]
C220	4030017550	S.CER ECJ0EC1H1R5B	B	22.2/37.7
C221	4030016930	S.CER ECJ0EB1A104K	B	5.6/23.2
C222	4030017030	S.CER ECJ0EB1A273K	B	128.7/45.9
C223	4030016930	S.CER ECJ0EB1A104K	B	123.5/43.9
C224	4030017640	S.CER ECJ0EC1H150J	T	123/39.9
C225	4030016790	S.CER ECJ0EB1C103K	T	125/36.8
C226	4030017580	S.CER ECJ0EC1H060C	T	123.4/40.8
C227	4030017460	S.CER ECJ0EB1E102K	B	48/35
C228	4030017460	S.CER ECJ0EB1E102K	T	49.4/37.2
		4030017460	S.CER ECJ0EB1E102K	[USA-03]
		4030017460	S.CER ECJ0EB1E102K	[EXP-03]
		4030017460	S.CER ECJ0EB1E102K	[EUR-03]
		4030017420	S.CER ECJ0EC1H470J	[USA-04]
		4030017420	S.CER ECJ0EC1H470J	[EXP-04]
		4030017460	S.CER ECJ0EB1E102K	[USA-55]
		4030017460	S.CER ECJ0EB1E102K	[USA-56]
		4030017460	S.CER ECJ0EB1E102K	[USA-01]
		4030017460	S.CER ECJ0EB1E102K	[CHN-01]
		4030017460	S.CER ECJ0EB1E102K	[USA-02]
C229	4030017620	S.CER ECJ0EC1H100C	B	50.8/40.8
		4030017620	S.CER ECJ0EC1H100C	[USA-03]
		4030017620	S.CER ECJ0EC1H100C	[EXP-03]
		4030017620	S.CER ECJ0EC1H100C	[EUR-03]
		4030017570	S.CER ECJ0EC1H040B	[USA-04]
		4030017570	S.CER ECJ0EC1H040B	[EXP-04]
		4030017620	S.CER ECJ0EC1H100C	[USA-55]
		4030017620	S.CER ECJ0EC1H100C	[USA-56]
		4030017620	S.CER ECJ0EC1H100C	[USA-01]
		4030017620	S.CER ECJ0EC1H100C	[CHN-01]
		4030017570	S.CER ECJ0EC1H040B	[USA-02]
C230	4030017460	S.CER ECJ0EB1E102K	B	48.8/49.7
C231	4030017340	S.CER ECJ0EC1H010B	B	51.5/44.8
C232	4030017460	S.CER ECJ0EB1E102K	T	55.2/40.6
C234	4030017370	S.CER ECJ0EC1H3R5B	B	50.8/49.7
C235	4030017460	S.CER ECJ0EB1E102K	B	45.8/42.9

[MAIN-A UNIT] (For MDC compatible versions)

REF NO.	ORDER NO.	DESCRIPTION	M.	H/V LOCATION
C236	4030017580	S.CER ECJ0EC1H060C	B	44.2/44.6
	4030017580	S.CER ECJ0EC1H060C	[USA-03]	
	4030017580	S.CER ECJ0EC1H060C	[EXP-03]	
	4030017620	S.CER ECJ0EC1H100C	[USA-04]	
	4030017620	S.CER ECJ0EC1H100C	[EXP-04]	
	4030017580	S.CER ECJ0EC1H060C	[USA-55]	
	4030017580	S.CER ECJ0EC1H060C	[USA-56]	
	4030017580	S.CER ECJ0EC1H060C	[USA-01]	
	4030017580	S.CER ECJ0EC1H060C	[CHN-01]	
	4030017620	S.CER ECJ0EC1H100C	[USA-02]	
C237	4030017620	S.CER ECJ0EC1H100C	B	45.1/46
	4030017620	S.CER ECJ0EC1H100C	[EXP-03]	
	4030017620	S.CER ECJ0EC1H100C	[EUR-03]	
	4030017400	S.CER ECJ0EC1H220J	[USA-04]	
	4030017400	S.CER ECJ0EC1H220J	[EXP-04]	
	4030017620	S.CER ECJ0EC1H100C	[USA-55]	
	4030017620	S.CER ECJ0EC1H100C	[USA-56]	
	4030017620	S.CER ECJ0EC1H100C	[USA-01]	
	4030017620	S.CER ECJ0EC1H100C	[CHN-01]	
	4030017400	S.CER ECJ0EC1H220J	[USA-02]	
C239	4030017550	S.CER ECJ0EC1H1R5B	B	12.9/35.7
	4030017550	S.CER ECJ0EC1H1R5B	[EXP-03]	
	4030017550	S.CER ECJ0EC1H1R5B	[EUR-03]	
	4030017350	S.CER ECJ0EC1H020B	[USA-04]	
	4030017350	S.CER ECJ0EC1H020B	[EXP-04]	
	4030017550	S.CER ECJ0EC1H1R5B	[USA-55]	
	4030017550	S.CER ECJ0EC1H1R5B	[USA-56]	
	4030017550	S.CER ECJ0EC1H1R5B	[USA-01]	
	4030017550	S.CER ECJ0EC1H1R5B	[CHN-01]	
	4030017350	S.CER ECJ0EC1H020B	[USA-02]	
C240	4030017610	S.CER ECJ0EC1H090C	B	14/34.4
	4030017610	S.CER ECJ0EC1H090C	[USA-03]	
	4030017610	S.CER ECJ0EC1H090C	[EUR-03]	
	4030017600	S.CER ECJ0EC1H080C	[USA-04]	
	4030017600	S.CER ECJ0EC1H080C	[EXP-04]	
	4030017610	S.CER ECJ0EC1H090C	[USA-55]	
	4030017610	S.CER ECJ0EC1H090C	[USA-56]	
	4030017610	S.CER ECJ0EC1H090C	[USA-01]	
	4030017610	S.CER ECJ0EC1H090C	[CHN-01]	
	4030017600	S.CER ECJ0EC1H080C	[USA-02]	
C241	4030017340	S.CER ECJ0EC1H010B	B	15.5/37.7
	4030017340	S.CER ECJ0EC1H010B	[EXP-03]	
	4030017340	S.CER ECJ0EC1H010B	[EUR-03]	
	4030017520	S.CER ECJ0EC1H0R3B	[USA-04]	
	4030017520	S.CER ECJ0EC1H0R3B	[EXP-04]	
	4030017340	S.CER ECJ0EC1H010B	[USA-55]	
	4030017340	S.CER ECJ0EC1H010B	[USA-56]	
	4030017340	S.CER ECJ0EC1H010B	[USA-01]	
	4030017340	S.CER ECJ0EC1H010B	[CHN-01]	
	4030017520	S.CER ECJ0EC1H0R3B	[USA-02]	
C242	4030017610	S.CER ECJ0EC1H090C	B	10.4/35.7
	4030017610	S.CER ECJ0EC1H090C	[EXP-03]	
	4030017610	S.CER ECJ0EC1H090C	[EUR-03]	
	4030017600	S.CER ECJ0EC1H080C	[USA-04]	
	4030017600	S.CER ECJ0EC1H080C	[EXP-04]	
	4030017610	S.CER ECJ0EC1H090C	[USA-55]	
	4030017610	S.CER ECJ0EC1H090C	[USA-56]	
	4030017610	S.CER ECJ0EC1H090C	[USA-01]	
	4030017610	S.CER ECJ0EC1H090C	[CHN-01]	
	4030017600	S.CER ECJ0EC1H080C	[USA-02]	
C243	4030017460	S.CER ECJ0EB1E102K	B	15.4/32.2
C244	4030017460	S.CER ECJ0EB1E102K	B	9.7/31.4
C245	4550006780	S.TAN TEESVB2 0J 476M8R	B	5.6/18.7
C246	4030016930	S.CER ECJ0EB1A104K	B	104.2/52.7
C247	4030016930	S.CER ECJ0EB1A104K	B	106/54.6
C248	4030016930	S.CER ECJ0EB1A104K	B	107.6/52.4
C249	4030018900	S.CER ECJ0EB0J474K	B	121/47.2
C250	4030017630	S.CER ECJ0EC1H120J	T	120.4/39.9
C251	4030017380	S.CER ECJ0EC1H050B	B	66.3/65.9
	4030017380	S.CER ECJ0EC1H050B	[USA-03]	
	4030017380	S.CER ECJ0EC1H050B	[EXP-03]	
	4030017380	S.CER ECJ0EC1H050B	[EUR-03]	
	4030017370	S.CER ECJ0EC1H3R5B	[USA-04]	
	4030017370	S.CER ECJ0EC1H3R5B	[EXP-04]	
	4030017380	S.CER ECJ0EC1H050B	[USA-55]	
	4030017380	S.CER ECJ0EC1H050B	[USA-56]	
	4030017380	S.CER ECJ0EC1H050B	[USA-01]	
	4030017380	S.CER ECJ0EC1H050B	[CHN-01]	
	4030017370	S.CER ECJ0EC1H3R5B	[USA-02]	
C252	4030017420	S.CER ECJ0EC1H470J	B	61/66.2
C253	4030017730	S.CER ECJ0EB1E471K	B	65.1/70.5
C254	4030017420	S.CER ECJ0EC1H470J	B	69.9/71.1
C255	4030017420	S.CER ECJ0EC1H470J	B	63.2/65
C257	4030017530	S.CER ECJ0EC1H0R5B	B	70.2/66.9
	4030017530	S.CER ECJ0EC1H0R5B	[USA-03]	
	4030017530	S.CER ECJ0EC1H0R5B	[EXP-03]	
	4030017530	S.CER ECJ0EC1H0R5B	[EUR-03]	
	4030017520	S.CER ECJ0EC1H0R3B	[USA-04]	
	4030017520	S.CER ECJ0EC1H0R3B	[EXP-04]	
	4030017530	S.CER ECJ0EC1H0R5B	[USA-55]	
	4030017530	S.CER ECJ0EC1H0R5B	[USA-56]	
	4030017530	S.CER ECJ0EC1H0R5B	[USA-01]	
	4030017530	S.CER ECJ0EC1H0R5B	[CHN-01]	
	4030017520	S.CER ECJ0EC1H0R3B	[USA-02]	
C258	4030017460	S.CER ECJ0EB1E102K	B	6.5/33.5
C259	4030017460	S.CER ECJ0EB1E102K	B	16.4/42.4
C260	4030017340	S.CER ECJ0EC1H010B	[USA-04]	
	4030017340	S.CER ECJ0EC1H010B	[EXP-04]	
	4030017340	S.CER ECJ0EC1H010B	[USA-02]	
C261	4030017460	S.CER ECJ0EB1E102K	B	8.1/34.4
C262	4030017460	S.CER ECJ0EB1E102K	B	9/36.9
C263	4030016790	S.CER ECJ0EB1C103K	B	5.4/36.4
C265	4030017420	S.CER ECJ0EC1H470J	B	6.9/40.3
C266	4030017460	S.CER ECJ0EB1E102K	B	7.3/39.4
C267	4030017460	S.CER ECJ0EB1E102K	B	69/71.1
C268	4030017360	S.CER ECJ0EC1H030B	B	72.3/69.4

M.=

[MAIN-A UNIT] (For MDC compatible versions)

REF NO.	ORDER NO.	DESCRIPTION	M.	H/V LOCATION
C269	4030017550	S.CER ECJ0EC1H1R5B	B	73.5/66.9
C270	4030017580	S.CER ECJ0EC1H060C [USA-03]	B	71.1/70.5
	4030017580	S.CER ECJ0EC1H060C [EXP-03]		
	4030017580	S.CER ECJ0EC1H060C [EUR-03]		
	4030017570	S.CER ECJ0EC1H040B [USA-04]		
	4030017570	S.CER ECJ0EC1H040B [EXP-04]		
	4030017580	S.CER ECJ0EC1H060C [USA-55]		
	4030017580	S.CER ECJ0EC1H060C [USA-56]		
	4030017580	S.CER ECJ0EC1H060C [USA-01]		
	4030017580	S.CER ECJ0EC1H060C [CHN-01]		
	4030017570	S.CER ECJ0EC1H040B [USA-02]		
C271	4030017340	S.CER ECJ0EC1H010B [USA-03]	B	10.9/36.9
	4030017340	S.CER ECJ0EC1H010B [EXP-03]		
	4030017340	S.CER ECJ0EC1H010B [EUR-03]		
	4030017520	S.CER ECJ0EC1H0R3B [USA-04]		
	4030017520	S.CER ECJ0EC1H0R3B [EXP-04]		
	4030017340	S.CER ECJ0EC1H010B [USA-55]		
	4030017340	S.CER ECJ0EC1H010B [USA-56]		
	4030017340	S.CER ECJ0EC1H010B [USA-01]		
	4030017340	S.CER ECJ0EC1H010B [CHN-01]		
	4030017520	S.CER ECJ0EC1H0R3B [USA-02]		
C272	4030016930	S.CER ECJ0EB1A104K	B	12.2/43.3
C273	4030016930	S.CER ECJ0EB1A104K	T	12.8/40.8
C274	4030017460	S.CER ECJ0EB1E102K	B	3.9/41
C275	4030017420	S.CER ECJ0EC1H470J	B	13.5/39.1
C276	4030017590	S.CER ECJ0EC1H070C	B	10/41.9
C277	4030017460	S.CER ECJ0EB1E102K	T	13.5/39.1
C278	4030017590	S.CER ECJ0EC1H070C [USA-03]	B	9.5/43.2
	4030017590	S.CER ECJ0EC1H070C [EXP-03]		
	4030017590	S.CER ECJ0EC1H070C [EUR-03]		
	4030017580	S.CER ECJ0EC1H060C [USA-04]		
	4030017580	S.CER ECJ0EC1H060C [EXP-04]		
	4030017590	S.CER ECJ0EC1H070C [USA-55]		
	4030017590	S.CER ECJ0EC1H070C [USA-56]		
	4030017590	S.CER ECJ0EC1H070C [USA-01]		
	4030017590	S.CER ECJ0EC1H070C [CHN-01]		
	4030017580	S.CER ECJ0EC1H060C [USA-02]		
C279	4030017410	S.CER ECJ0EC1H240J	B	6.7/45.2
C280	4030017560	S.CER ECJ0EC1H2R5B [USA-03]	B	10/46.8
	4030017560	S.CER ECJ0EC1H2R5B [EXP-03]		
	4030017560	S.CER ECJ0EC1H2R5B [EUR-03]		
	4030017560	S.CER ECJ0EC1H2R5B [USA-04]		
	4030017350	S.CER ECJ0EC1H020B [USA-05]		
	4030017350	S.CER ECJ0EC1H020B [EXP-04]		
	4030017560	S.CER ECJ0EC1H2R5B [USA-56]		
	4030017560	S.CER ECJ0EC1H2R5B [USA-01]		
	4030017560	S.CER ECJ0EC1H2R5B [CHN-01]		
	4030017350	S.CER ECJ0EC1H020B [USA-02]		
C281	4030017420	S.CER ECJ0EC1H470J	T	95.5/36.2
C282	4030017420	S.CER ECJ0EC1H470J	T	102.2/41.1
C283	4030017420	S.CER ECJ0EC1H470J	T	95.8/47
C284	4030017420	S.CER ECJ0EC1H470J	T	97.8/37.2
C285	4030017420	S.CER ECJ0EC1H470J	B	94.9/44.7
C286	4030017420	S.CER ECJ0EC1H470J	T	93.8/44.7
C287	4030017420	S.CER ECJ0EC1H470J	T	93.8/40
C288	4030017460	S.CER ECJ0EB1E102K	B	4.1/47.4
C289	4030017610	S.CER ECJ0EC1H090C [USA-03]	B	18.8/34.4
	4030017610	S.CER ECJ0EC1H090C [EXP-03]		
	4030017610	S.CER ECJ0EC1H090C [EUR-03]		
	4030017600	S.CER ECJ0EC1H080C [USA-04]		
	4030017600	S.CER ECJ0EC1H080C [EXP-04]		
	4030017610	S.CER ECJ0EC1H090C [USA-55]		
	4030017610	S.CER ECJ0EC1H090C [USA-56]		
	4030017610	S.CER ECJ0EC1H090C [USA-01]		
	4030017610	S.CER ECJ0EC1H090C [CHN-01]		
	4030017600	S.CER ECJ0EC1H080C [USA-02]		
C290	4030017580	S.CER ECJ0EC1H060C [USA-03]	T	73.9/75.6
	4030017580	S.CER ECJ0EC1H060C [EXP-03]		
	4030017580	S.CER ECJ0EC1H060C [EUR-03]		
	4030017570	S.CER ECJ0EC1H040B [USA-04]		
	4030017570	S.CER ECJ0EC1H040B [EXP-04]		
	4030017580	S.CER ECJ0EC1H060C [USA-55]		
	4030017580	S.CER ECJ0EC1H060C [USA-56]		
	4030017580	S.CER ECJ0EC1H060C [USA-01]		
	4030017580	S.CER ECJ0EC1H060C [CHN-01]		
	4030017570	S.CER ECJ0EC1H040B [USA-02]		
C291	4030017730	S.CER ECJ0EB1E471K	T	69.2/76.6
C294	4030017420	S.CER ECJ0EC1H470J	T	70.3/76.6
C295	4030017420	S.CER ECJ0EC1H470J	T	58.4/69.9
C296	4510008530	S.ELE EEE1HA2R2SR	B	57.9/80.3
C297	4030017460	S.CER ECJ0EB1E102K	B	58.4/67.9
C299	4030017410	S.CER ECJ0EC1H240J	B	6.7/48.4
C300	4030017590	S.CER ECJ0EC1H070C [USA-03]	B	9.5/50.4
	4030017590	S.CER ECJ0EC1H070C [EXP-03]		
	4030017590	S.CER ECJ0EC1H070C [EUR-03]		
	4030017580	S.CER ECJ0EC1H060C [USA-04]		
	4030017580	S.CER ECJ0EC1H060C [EXP-04]		
	4030017590	S.CER ECJ0EC1H070C [USA-55]		
	4030017590	S.CER ECJ0EC1H070C [USA-56]		
	4030017590	S.CER ECJ0EC1H070C [USA-01]		
	4030017590	S.CER ECJ0EC1H070C [CHN-01]		
	4030017580	S.CER ECJ0EC1H060C [USA-02]		
C301	4030017590	S.CER ECJ0EC1H070C	B	11.7/48.8
C302	4030017460	S.CER ECJ0EB1E102K	B	4.1/44.7
C303	4030016930	S.CER ECJ0EB1A104K	B	127.6/31.4
C304	4030017420	S.CER ECJ0EC1H470J	T	90.5/43
C305	4030011050	S.CER GRM31M3C2H3R0CY21L (GRM42-6 CJ)	T	27.6/79.2

[MAIN-A UNIT] (For MDC compatible versions)

REF NO.	ORDER NO.	DESCRIPTION	M.	H/V LOCATION
C306	4030011040	S.CER GRM31M4C2H2R0CY21L (GRM42-6 CK) [USA-03]	T	25.6/76.6
	4030011050	S.CER GRM31M3C2H3R0CY21L (GRM42-6 CJ) [EXP-03]		
	4030011050	S.CER GRM31M3C2H3R0CY21L (GRM42-6 CJ) [EUR-03]		
	4030011030	S.CER GRM31M4C2H1R5CY21L (GRM42-6 CK) [USA-04]		
	4030011030	S.CER GRM31M4C2H1R5CY21L (GRM42-6 CK) [EXP-04]		
	4030011040	S.CER GRM31M4C2H2R0CY21L (GRM42-6 CK) [USA-55]		
	4030011040	S.CER GRM31M4C2H2R0CY21L (GRM42-6 CK) [USA-56]		
	4030011040	S.CER GRM31M4C2H2R0CY21L (GRM42-6 CK) [USA-01]		
	4030011040	S.CER GRM31M4C2H2R0CY21L (GRM42-6 CK) [CHN-01]		
C307	4030011040	S.CER GRM31M4C2H2R0CY21L (GRM42-6 CK) [USA-02]	T	25.6/73.8
	4030011040	S.CER GRM31M4C2H2R0CY21L (GRM42-6 CK) [EXP-03]		
	4030011040	S.CER GRM31M4C2H2R0CY21L (GRM42-6 CK) [EUR-03]		
	4030011040	S.CER GRM31M4C2H2R0CY21L (GRM42-6 CK) [USA-04]		
	4030011020	S.CER GRM31M4C2H1R0CY21L (GRM42-6 CK) [EXP-04]		
	4030011040	S.CER GRM31M4C2H2R0CY21L (GRM42-6 CK) [USA-55]		
	4030011040	S.CER GRM31M4C2H2R0CY21L (GRM42-6 CK) [USA-56]		
	4030011040	S.CER GRM31M4C2H2R0CY21L (GRM42-6 CK) [USA-01]		
	4030011040	S.CER GRM31M4C2H2R0CY21L (GRM42-6 CK) [CHN-01]		
	4030011040	S.CER GRM31M4C2H2R0CY21L (GRM42-6 CK) [USA-02]		
C308	4030011050	S.CER GRM31M3C2H3R0CY21L (GRM42-6 CJ) [USA-03]	T	27.6/71.2
	4030011040	S.CER GRM31M4C2H2R0CY21L (GRM42-6 CK) [EXP-03]		
	4030011040	S.CER GRM31M4C2H2R0CY21L (GRM42-6 CK) [EUR-03]		
	4030011040	S.CER GRM31M4C2H2R0CY21L (GRM42-6 CK) [USA-04]		
	4030011040	S.CER GRM31M4C2H2R0CY21L (GRM42-6 CK) [USA-01]		
	4030011040	S.CER GRM31M4C2H2R0CY21L (GRM42-6 CK) [CHN-01]		
	4030011040	S.CER GRM31M4C2H2R0CY21L (GRM42-6 CK) [USA-02]		
	4030011050	S.CER GRM31M3C2H3R0CY21L (GRM42-6 CJ) [USA-55]		
	4030011050	S.CER GRM31M3C2H3R0CY21L (GRM42-6 CJ) [USA-56]		
	4030011050	S.CER GRM31M3C2H3R0CY21L (GRM42-6 CJ) [USA-01]		
C309	4030017460	S.CER ECJ0EB1E102K	T	71.4/76.6
C310	4030017420	S.CER ECJ0EC1H470J	T	43.9/76.6
C311	4030017460	S.CER ECJ0EB1E102K	T	45/76.6
C312	4030017730	S.CER ECJ0EB1E471K	T	46.1/76.6
C313	4510008680	S.ELE EEE1EA220SP	T	51.8/83
C314	4030017420	S.CER ECJ0EC1H470J	B	33.4/66.3
C315	4030017460	S.CER ECJ0EB1E102K	B	57.6/63.6
C316	4030016790	S.CER ECJ0EB1C103K	B	55.9/64.5
C317	4030016970	S.CER ECJ0EB1C223K [USA-03]	B	55.8/70.1
	4030016930	S.CER ECJ0EB1A104K [EXP-03]		
	4030016930	S.CER ECJ0EB1A104K [EUR-03]		
	4030016970	S.CER ECJ0EB1C223K [USA-04]		
	4030016970	S.CER ECJ0EB1A104K [EXP-04]		
	4030016970	S.CER ECJ0EB1C223K [USA-55]		
	4030016970	S.CER ECJ0EB1C223K [USA-56]		
	4030016970	S.CER ECJ0EB1C223K [USA-01]		
	4030016970	S.CER ECJ0EB1C223K [CHN-01]		
	4030016970	S.CER ECJ0EB1C223K [USA-02]		
C318	4030017460	S.CER ECJ0EB1E102K [USA-03]	T	34.9/66.7
	4030017460	S.CER ECJ0EB1E102K [USA-04]		
	4030017460	S.CER ECJ0EB1E102K [USA-55]		
	4030017460	S.CER ECJ0EB1E102K [USA-56]		
	4030017460	S.CER ECJ0EB1E102K [USA-01]		
	4030017460	S.CER ECJ0EB1E102K [CHN-01]		
	4030017460	S.CER ECJ0EB1E102K [USA-02]		
	4030017460	S.CER ECJ0EB1E102K [USA-05]		
C319	4030017460	S.CER ECJ0EB1E102K [USA-03]	B	45.3/66.9
	4030017460	S.CER ECJ0EB1E102K [USA-04]		
	4030017460	S.CER ECJ0EB1E102K [USA-55]		
	4030017460	S.CER ECJ0EB1E102K [USA-56]		
	4030017460	S.CER ECJ0EB1E102K [USA-01]		
	4030017460	S.CER ECJ0EB1E102K [CHN-01]		
	4030017460	S.CER ECJ0EB1E102K [USA-02]		
	4030017460	S.CER ECJ0EB1E102K [USA-05]		
	4030017460	S.CER ECJ0EB1E102K [USA-06]		
	4030017460	S.CER ECJ0EB1E102K [USA-07]		
C320	4030017510	S.CER ECJ0EC1H680J	B	13.9/52.1
C321	4030017460	S.CER ECJ0EB1E102K	B	16.5/48.8
C322	4030017350	S.CER ECJ0EC1H020B [USA-03]	B	21.2/51.2
	4030017350	S.CER ECJ0EC1H020B [EXP-03]		
	4030017530	S.CER ECJ0EC1H0R5B [USA-04]		
	4030017530	S.CER ECJ0EC1H0R5B [EXP-04]		
	4030017350	S.CER ECJ0EC1H020B [USA-55]		
	4030017350	S.CER ECJ0EC1H020B [USA-56]		
	4030017350	S.CER ECJ0EC1H020B [USA-01]		
	4030017350	S.CER ECJ0EC1H020B [CHN-01]		
	4030017530	S.CER ECJ0EC1H0R5B [USA-02]		

M.=Mounted side (T: Mounted on the Top side, B: Mounted on the Bottom side)
S.=Surface mount

[MAIN-A UNIT] (For MDC compatible versions)

REF NO.	ORDER NO.	DESCRIPTION	M.	H/V LOCATION
C324	4030017420	S.CER ECJ0EC1H470J	T	90.1/41.7
C325	4030017460	S.CER ECJ0EB1E102K	B	73.2/67.6
C326	4030017420	S.CER ECJ0EC1H470J	T	40.5/67.3
C327	4030017460	S.CER ECJ0EB1E102K	B	83.9/79.3
C328	4030017420	S.CER ECJ0EC1H470J	B	82.9/79.3
C329	4030017400	S.CER ECJ0EC1H220J	B	81.9/79.3
C330	4510008540	S.ELE EEE1CA100SR	T	96.7/53.9
C331	4510008540	S.ELE EEE1CA100SR	T	60.6/55.1
C332	4030017780	S.CER ECJ0EB1E472K	B	53.5/66.1
C334	4030017460	S.CER ECJ0EB1E102K	B	50.8/70.2
C335	4030017460	S.CER ECJ0EB1E102K	B	48.7/69.4
C336	4030011030	S.CER GRM31M4C2H1R5CY21L (GRM42-6 CK) [EXP-03]	T	14.3/56.9
C337	4030011030	S.CER GRM31M4C2H1R5CY21L (GRM42-6 CK) [EUR-03]	B	28.2/53.7
	4030017600	S.CER ECJ0EC1H080C [USA-03]		
	4030017600	S.CER ECJ0EC1H080C [EXP-03]		
	4030017600	S.CER ECJ0EC1H080C [EUR-03]		
	4030017380	S.CER ECJ0EC1H050B [USA-04]		
	4030017380	S.CER ECJ0EC1H050B [EXP-04]		
	4030017600	S.CER ECJ0EC1H080C [USA-55]		
	4030017600	S.CER ECJ0EC1H080C [USA-56]		
	4030017600	S.CER ECJ0EC1H080C [USA-01]		
	4030017600	S.CER ECJ0EC1H080C [CHN-01]		
4030017380	S.CER ECJ0EC1H050B [USA-02]			
C338	4510008540	S.ELE EEE1CA100SR	T	79.1/69.1
C339	4030017460	S.CER ECJ0EB1E102K	T	79.1/62.1
C340	4030017460	S.CER ECJ0EB1E102K	T	63.5/55.5
C341	4030016790	S.CER ECJ0EB1C103K	T	68.1/52.3
C342	4030017200	S.CER GRM31BR32J102KY01L (GHM1030 R)	T	26.8/61.7
C343	4030011050	S.CER GRM31M3C2H3R0CY21L (GRM42-6 CJ) [USA-03]	T	23/63.3
	4030011050	S.CER GRM31M3C2H3R0CY21L (GRM42-6 CJ) [EXP-03]		
	4030011050	S.CER GRM31M3C2H3R0CY21L (GRM42-6 CJ) [EUR-03]		
	4030011040	S.CER GRM31M4C2H2R0CY21L (GRM42-6 CK) [USA-04]		
	4030011040	S.CER GRM31M4C2H2R0CY21L (GRM42-6 CK) [EXP-04]		
	4030011050	S.CER GRM31M3C2H3R0CY21L (GRM42-6 CJ) [USA-55]		
	4030011050	S.CER GRM31M3C2H3R0CY21L (GRM42-6 CJ) [USA-56]		
	4030011050	S.CER GRM31M3C2H3R0CY21L (GRM42-6 CJ) [USA-01]		
	4030011050	S.CER GRM31M3C2H3R0CY21L (GRM42-6 CJ) [CHN-01]		
	4030011040	S.CER GRM31M4C2H2R0CY21L (GRM42-6 CK) [USA-02]		
C344	4030011050	S.CER GRM31M3C2H3R0CY21L (GRM42-6 CJ)	T	20.9/63.3
C345	4030011050	S.CER GRM31M3C2H3R0CY21L (GRM42-6 CJ) [USA-03]	T	18.3/58.5
	4030011060	S.CER GRM31M2C2H4R0CY21L (GRM42-6 CH) [EXP-03]		
	4030011060	S.CER GRM31M2C2H4R0CY21L (GRM42-6 CH) [EUR-03]		
	4030011050	S.CER GRM31M3C2H3R0CY21L (GRM42-6 CJ) [USA-04]		
	4030011050	S.CER GRM31M3C2H3R0CY21L (GRM42-6 CJ) [EXP-04]		
	4030011050	S.CER GRM31M3C2H3R0CY21L (GRM42-6 CJ) [USA-55]		
	4030011050	S.CER GRM31M3C2H3R0CY21L (GRM42-6 CJ) [USA-56]		
	4030011050	S.CER GRM31M3C2H3R0CY21L (GRM42-6 CJ) [USA-01]		
	4030011050	S.CER GRM31M3C2H3R0CY21L (GRM42-6 CJ) [CHN-01]		
	4030011050	S.CER GRM31M3C2H3R0CY21L (GRM42-6 CJ) [USA-02]		
C346	4030011070	S.CER GRM31M2C2H5R0CY21L (GRM42-6 CH) [USA-04]	T	34.3/58.3
C347	4030017520	S.CER ECJ0EC1H0R3B	B	33.7/61.7
C348	4030017460	S.CER ECJ0EB1E102K	B	39.7/61.7
C349	4030011060	S.CER GRM31M2C2H4R0CY21L (GRM42-6 CH)	T	10.3/61.7
C350	4030011070	S.CER GRM31M2C2H5R0CY21L (GRM42-6 CH) [USA-03]	T	12.9/65.2
	4030011060	S.CER GRM31M2C2H4R0CY21L (GRM42-6 CH) [EXP-03]		
	4030011060	S.CER GRM31M2C2H4R0CY21L (GRM42-6 CH) [EUR-03]		
	4030011050	S.CER GRM31M3C2H3R0CY21L (GRM42-6 CJ) [USA-04]		
	4030011050	S.CER GRM31M3C2H3R0CY21L (GRM42-6 CJ) [EXP-04]		
	4030011070	S.CER GRM31M2C2H5R0CY21L (GRM42-6 CH) [USA-55]		
	4030011070	S.CER GRM31M2C2H5R0CY21L (GRM42-6 CH) [USA-56]		
	4030011070	S.CER GRM31M2C2H5R0CY21L (GRM42-6 CH) [USA-01]		
	4030011070	S.CER GRM31M2C2H5R0CY21L (GRM42-6 CH) [CHN-01]		
	4030011050	S.CER GRM31M3C2H3R0CY21L (GRM42-6 CJ) [USA-02]		
C351	4030016930	S.CER ECJ0EB1A104K	T	110.8/66.5
C352	4030017460	S.CER ECJ0EB1E102K	B	124.6/59.7
C353	4550006250	S.TAN TEESVA 1A 106M8R	B	124/61.3
C354	4550006250	S.TAN TEESVA 1A 106M8R	B	112.9/61.7
C355	4030017420	S.CER ECJ0EC1H470J	B	112.6/60.1

[MAIN-A UNIT] (For MDC compatible versions)

REF NO.	ORDER NO.	DESCRIPTION	M.	H/V LOCATION
C356	4030011070	S.CER GRM31M2C2H5R0CY21L (GRM42-6 CH) [USA-03]	T	15.7/65.2
4030011070	S.CER GRM31M2C2H5R0CY21L (GRM42-6 CH) [EXP-03]			
4030011070	S.CER GRM31M2C2H5R0CY21L (GRM42-6 CH) [EUR-03]			
4030011060	S.CER GRM31M2C2H4R0CY21L (GRM42-6 CH) [USA-04]			
4030011060	S.CER GRM31M2C2H4R0CY21L (GRM42-6 CH) [EXP-04]			
4030011070	S.CER GRM31M2C2H5R0CY21L (GRM42-6 CH) [USA-55]			
4030011070	S.CER GRM31M2C2H5R0CY21L (GRM42-6 CH) [USA-56]			
4030011070	S.CER GRM31M2C2H5R0CY21L (GRM42-6 CH) [USA-01]			
4030011070	S.CER GRM31M2C2H5R0CY21L (GRM42-6 CH) [CHN-01]			
4030011060	S.CER GRM31M2C2H4R0CY21L (GRM42-6 CH) [USA-02]			
C357	4030011060	S.CER GRM31M2C2H4R0CY21L (GRM42-6 CH) [USA-03]	T	4.2/63.3
	4030011060	S.CER GRM31M2C2H4R0CY21L (GRM42-6 CH) [EXP-03]		
	4030011060	S.CER GRM31M2C2H4R0CY21L (GRM42-6 CH) [EUR-03]		
	4030011030	S.CER GRM31M4C2H1R5CY21L (GRM42-6 CK) [USA-04]		
	4030011030	S.CER GRM31M4C2H1R5CY21L (GRM42-6 CK) [EXP-04]		
	4030011060	S.CER GRM31M2C2H4R0CY21L (GRM42-6 CH) [USA-55]		
	4030011060	S.CER GRM31M2C2H4R0CY21L (GRM42-6 CH) [USA-56]		
	4030011060	S.CER GRM31M2C2H4R0CY21L (GRM42-6 CH) [USA-01]		
	4030011060	S.CER GRM31M2C2H4R0CY21L (GRM42-6 CH) [CHN-01]		
	4030011030	S.CER GRM31M4C2H1R5CY21L (GRM42-6 CK) [USA-02]		
C358	4030009530	S.CER C1608 CH 1H 030B-T	B	10.7/61.4
C359	4030006860	S.CER C1608 JB 1H 102K-T	B	9.9/59.5
C360	4030017460	S.CER ECJ0EB1E102K	B	8.7/54
C361	4030017460	S.CER ECJ0EB1E102K	T	101.3/52.9
C362	4030017460	S.CER ECJ0EB1E102K	T	106.3/21.1
C363	4510008540	S.ELE EEE1CA100SR	T	139.1/31.9
C365	4550007650	S.TAN F931V105MAABMA	B	107.7/65.1
C366	4550007650	S.TAN F931V105MAABMA	B	105.6/65.1
C367	4550007650	S.TAN F931V105MAABMA	B	103.5/65.1
C368	4550007650	S.TAN F931V105MAABMA	B	101.4/65.1
C369	4030011070	S.CER GRM31M2C2H5R0CY21L (GRM42-6 CH)	T	15.3/81.1
C370	4030011050	S.CER GRM31M3C2H3R0CY21L (GRM42-6 CJ) [USA-03]	T	5.3/81.1
	4030011060	S.CER GRM31M2C2H4R0CY21L (GRM42-6 CH) [EXP-03]		
	4030011060	S.CER GRM31M2C2H4R0CY21L (GRM42-6 CH) [EUR-03]		
	4030011040	S.CER GRM31M4C2H2R0CY21L (GRM42-6 CK) [USA-04]		
	4030011040	S.CER GRM31M4C2H2R0CY21L (GRM42-6 CK) [EXP-04]		
	4030011050	S.CER GRM31M3C2H3R0CY21L (GRM42-6 CJ) [USA-55]		
	4030011050	S.CER GRM31M3C2H3R0CY21L (GRM42-6 CJ) [USA-56]		
	4030011050	S.CER GRM31M3C2H3R0CY21L (GRM42-6 CJ) [USA-01]		
	4030011050	S.CER GRM31M3C2H3R0CY21L (GRM42-6 CJ) [CHN-01]		
	4030011040	S.CER GRM31M4C2H2R0CY21L (GRM42-6 CK) [USA-02]		
C371	4030017460	S.CER ECJ0EB1E102K	B	2.9/80.8
C372	4030006860	S.CER C1608 JB 1H 102K-T	B	8.3/79.6
C373	4030016790	S.CER ECJ0EB1C103K	B	130.6/51.7
C374	4030016930	S.CER ECJ0EB1A104K	B	132.8/51.3
C375	4030016930	S.CER ECJ0EB1A104K	B	132.4/54.6
C377	4030017460	S.CER ECJ0EB1E102K	T	104.7/52.9
C378	4030017460	S.CER ECJ0EB1E102K	B	105.1/80.9
C379	4030016930	S.CER ECJ0EB1A104K	B	110.5/84.5
C380	4030017460	S.CER ECJ0EB1E102K	T	120.9/85.3
C381	4030016790	S.CER ECJ0EB1C103K	B	135.9/70.5
C382	4510008680	S.ELE EEE1EA220SP	T	68.6/63.4
C383	4030017460	S.CER ECJ0EB1E102K	B	135.9/71.5
C384	4510008870	S.ELE EEE1AA471UP	T	129.9/64.9
C386	4030016930	S.CER ECJ0EB1A104K	B	138.8/53.7
C387	4030017730	S.CER ECJ0EB1E471K	B	135.4/51.3
C388	4030018860	S.CER ECJ0EB0J105K	B	138.7/52.2
C389	4030016930	S.CER ECJ0EB1A104K	B	139.1/48.5
C390	4030016930	S.CER ECJ0EB1A104K	B	137.8/55.4
C391	4030016930	S.CER ECJ0EB1A104K	T	107.6/80
C392	4030017460	S.CER ECJ0EB1E102K	B	131.3/74.7
C393	4030017460	S.CER ECJ0EB1E102K	B	98.3/79.2
C394	4030017420	S.CER ECJ0EC1H470J	B	115.4/68
C395	4030017460	S.CER ECJ0EB1E102K	B	128.8/76.7
C397	4030017460	S.CER ECJ0EB1E102K	B	100.8/86.3
C398	4030017420	S.CER ECJ0EC1H470J	B	99.8/86.3
C399	4030018860	S.CER ECJ0EB0J105K	B	134.5/34.8
C400	4030016930	S.CER ECJ0EB1A104K	B	136.9/37
C411	4510008780	S.ELE EEE1EA471P	T	117.2/63.6
C412	4510008780	S.ELE EEE1EA471P	T	132.7/54.3
C413	4030018900	S.CER ECJ0EB0J474K	B	135.1/46.8
C414	4510008540	S.ELE EEE1CA100SR	T	113.9/50.1
C415	4030016930	S.CER ECJ0EB1A104K	B	103/23.8

M.=Mounted side (T: Mounted on the Top side, B: Mounted on the Bottom side) S.=Surface mount

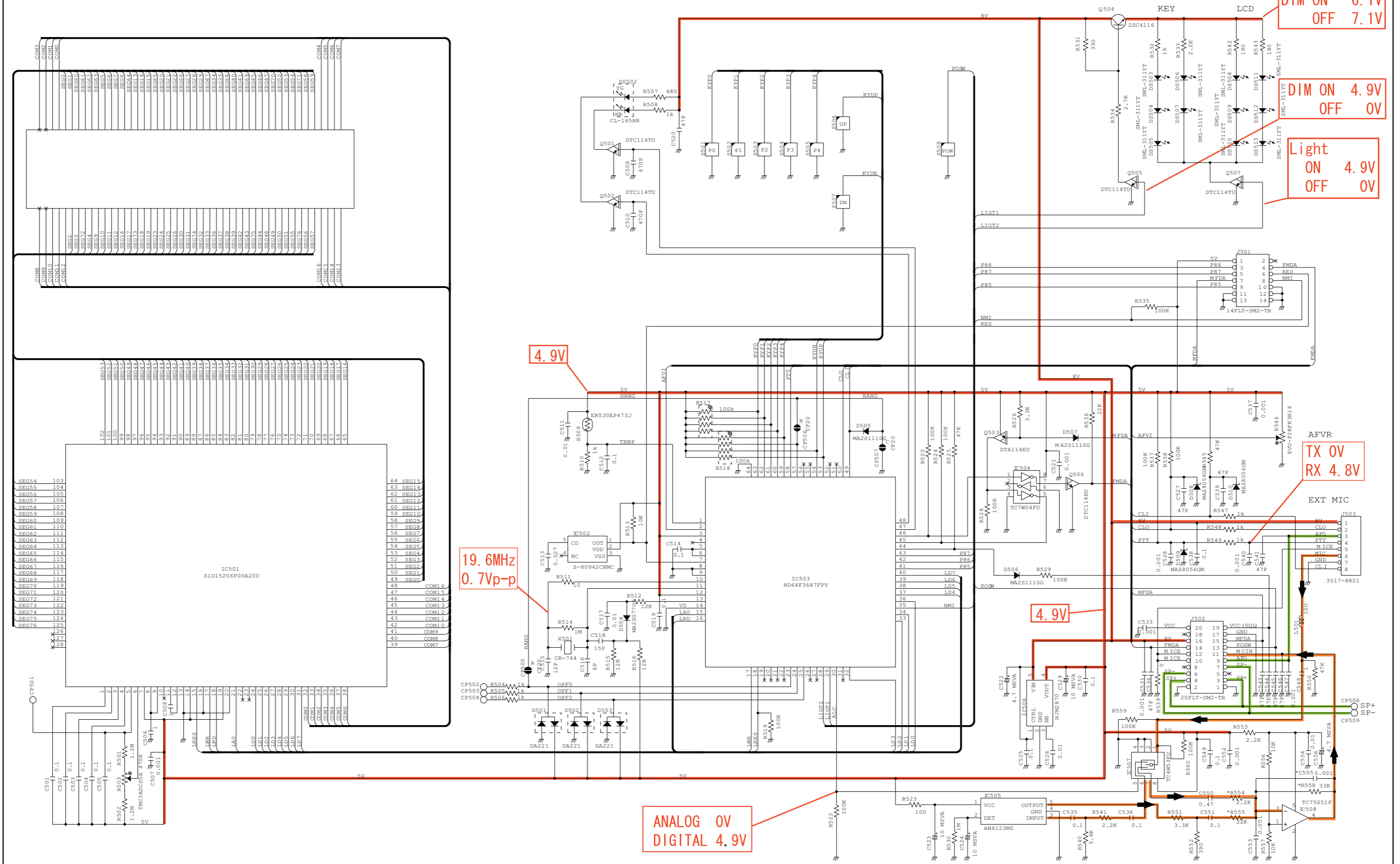
[MAIN-A UNIT] (For MDC compatible versions)

REF NO.	ORDER NO.	DESCRIPTION	M.	H/V LOCATION
C416	4030016930	S.CER ECJ0EB1A104K	B	121/51.5
C417	4030016790	S.CER ECJ0EB1C103K	B	113.8/51.7
C418	4030017460	S.CER ECJ0EB1E102K	B	102.3/57.9
C419	4030016790	S.CER ECJ0EB1C103K	T	42.5/39.1
C420	4030017420	S.CER ECJ0EC1H470J	T	39.8/37.2
C421	4030016930	S.CER ECJ0EB1A104K	B	36.1/24.4
C422	4030016790	S.CER ECJ0EB1C103K	T	42.9/33
C423	4030007090	S.CER C1608 CH 1H 470J-T	T	33.6/38.9
C424	4030016930	S.CER ECJ0EB1A104K	T	33.6/41.2
C425	4030017460	S.CER ECJ0EB1E102K	B	134.8/66.1
C426	4030011030	S.CER GRM31M4C2H1R5CY21L (GRM42-6 CK) [USA-03]	T	29.2/75.2
	4030011020	S.CER GRM31M4C2H1R0CY21L (GRM42-6 CK) [EXP-03]		
	4030011020	S.CER GRM31M4C2H1R0CY21L (GRM42-6 CK) [EUR-03]		
	4030011020	S.CER GRM31M4C2H1R0CY21L (GRM42-6 CK) [USA-04]		
	4030011020	S.CER GRM31M4C2H1R0CY21L (GRM42-6 CK) [EXP-04]		
	4030011030	S.CER GRM31M4C2H1R5CY21L (GRM42-6 CK) [USA-55]		
	4030011030	S.CER GRM31M4C2H1R5CY21L (GRM42-6 CK) [USA-56]		
	4030011030	S.CER GRM31M4C2H1R5CY21L (GRM42-6 CK) [USA-01]		
	4030011030	S.CER GRM31M4C2H1R5CY21L (GRM42-6 CK) [CHN-01]		
	4030011020	S.CER GRM31M4C2H1R0CY21L (GRM42-6 CK) [USA-02]		
C427	4030017530	S.CER ECJ0EC1H0R5B	B	19.5/36.6
C428	4030018110	S.CER ECJ0EB1H272K	T	25.6/9.4
C429	4030016790	S.CER ECJ0EB1C103K	B	138.4/51
C430	4030018860	S.CER ECJ0EB0J105K	B	110.4/10.7
C431	4030017460	S.CER ECJ0EB1E102K	B	114.2/11.7
C432	4030017420	S.CER ECJ0EC1H470J	B	119.4/69.8
C433	4030017460	S.CER ECJ0EB1E102K	B	119.4/70.8
C435	4030016930	S.CER ECJ0EB1A104K	T	8.9/7.8
C436	4030016930	S.CER ECJ0EB1A104K	B	56/38.5
C437	4030016930	S.CER ECJ0EB1A104K	B	25.1/8.8
C438	4030016930	S.CER ECJ0EB1A104K	B	32.8/5.5
C440	4030016930	S.CER ECJ0EB1A104K	B	25.1/7.2
C441	4030016930	S.CER ECJ0EB1A104K	B	26/5.6
C442	4030016930	S.CER ECJ0EB1A104K	B	26.9/8.8
C443	4030017040	S.CER ECJ0EB1A333K	B	34.5/8.2
C444	4030016930	S.CER ECJ0EB1A104K	T	22.3/10.2
C445	4030017650	S.CER ECJ0EC1H270J	B	32.8/6.4
C446	4030017590	S.CER ECJ0EC1H070C	T	23/20.4
C447	4030017340	S.CER ECJ0EC1H010B [USA-03]	B	17.1/37.7
	4030017340	S.CER ECJ0EC1H010B [EXP-03]		
	4030017340	S.CER ECJ0EC1H010B [EUR-03]		
	4030017460	S.CER ECJ0EB1E102K [USA-04]		
	4030017460	S.CER ECJ0EB1E102K [EXP-04]		
	4030017340	S.CER ECJ0EC1H010B [USA-55]		
	4030017340	S.CER ECJ0EC1H010B [USA-56]		
	4030017340	S.CER ECJ0EC1H010B [USA-01]		
	4030017340	S.CER ECJ0EC1H010B [CHN-01]		
	4030017460	S.CER ECJ0EB1E102K [USA-02]		
C448	4030017340	S.CER ECJ0EC1H010B [USA-03]	B	12.5/36.9
	4030017340	S.CER ECJ0EC1H010B [EXP-03]		
	4030017340	S.CER ECJ0EC1H010B [EUR-03]		
	4030017460	S.CER ECJ0EB1E102K [USA-04]		
	4030017460	S.CER ECJ0EB1E102K [EXP-04]		
	4030017340	S.CER ECJ0EC1H010B [USA-55]		
	4030017340	S.CER ECJ0EC1H010B [USA-56]		
	4030017340	S.CER ECJ0EC1H010B [USA-01]		
	4030017340	S.CER ECJ0EC1H010B [CHN-01]		
	4030017460	S.CER ECJ0EB1E102K [USA-02]		
C450	4030017550	S.CER ECJ0EC1H1R5B [USA-03]	T	65.6/36
	4030017550	S.CER ECJ0EC1H1R5B [EXP-03]		
	4030017550	S.CER ECJ0EC1H1R5B [EUR-03]		
	4030017550	S.CER ECJ0EC1H1R5B [USA-55]		
	4030017550	S.CER ECJ0EC1H1R5B [USA-56]		
	4030017550	S.CER ECJ0EC1H1R5B [USA-01]		
	4030017550	S.CER ECJ0EC1H1R5B [CHN-01]		
C451	4030018860	S.CER ECJ0EB0J105K	B	92.6/6.6
J1	6510026770	S.CON AXK540147YG	T	124.5/9.7
J2	6510026770	S.CON AXK540147YG	T	101.5/9.7
J3	6510021301	S.CON 52365-1071	T	90.3/62.6
J5	6510023092	S.CON 20FLT-SM2-TB(LF)(SN)(M)	T	108.3/83.2
J7	6450000140	CON HSJ0807-01-010		
J10	6510023092	S.CON 20FLT-SM2-TB(LF)(SN)(M)	T	71/7
W1	7120000470	JUM ERDS2T0		
W2	8900016250	CAB OPC-1701 <CMI>T/H!		
EP2	6910015370	S.BEA ACZ1005Y-102-T	B	60.4/28.3
EP3	6910015370	S.BEA ACZ1005Y-102-T	T	85.7/30
EP4	6910010280	BEA HF70BB9.5X10.4X4.9		
EP5	6910010280	BEA HF70BB9.5X10.4X4.9		
EP6	6910015370	S.BEA ACZ1005Y-102-T	T	79.6/41.5
EP7	6910011560	BEA HF70BB4.5X5X1.6		
EP8	0880002600	UNI EX-2887 UT-126H [USA-01]		
	0880002600	UNI EX-2887 UT-126H [CHN-01]		
	0880002600	UNI EX-2887 UT-126H [USA-02]		

M.=Mounted side (T: Mounted on the Top side, B: Mounted on the Bottom side)
S.=Surface mount

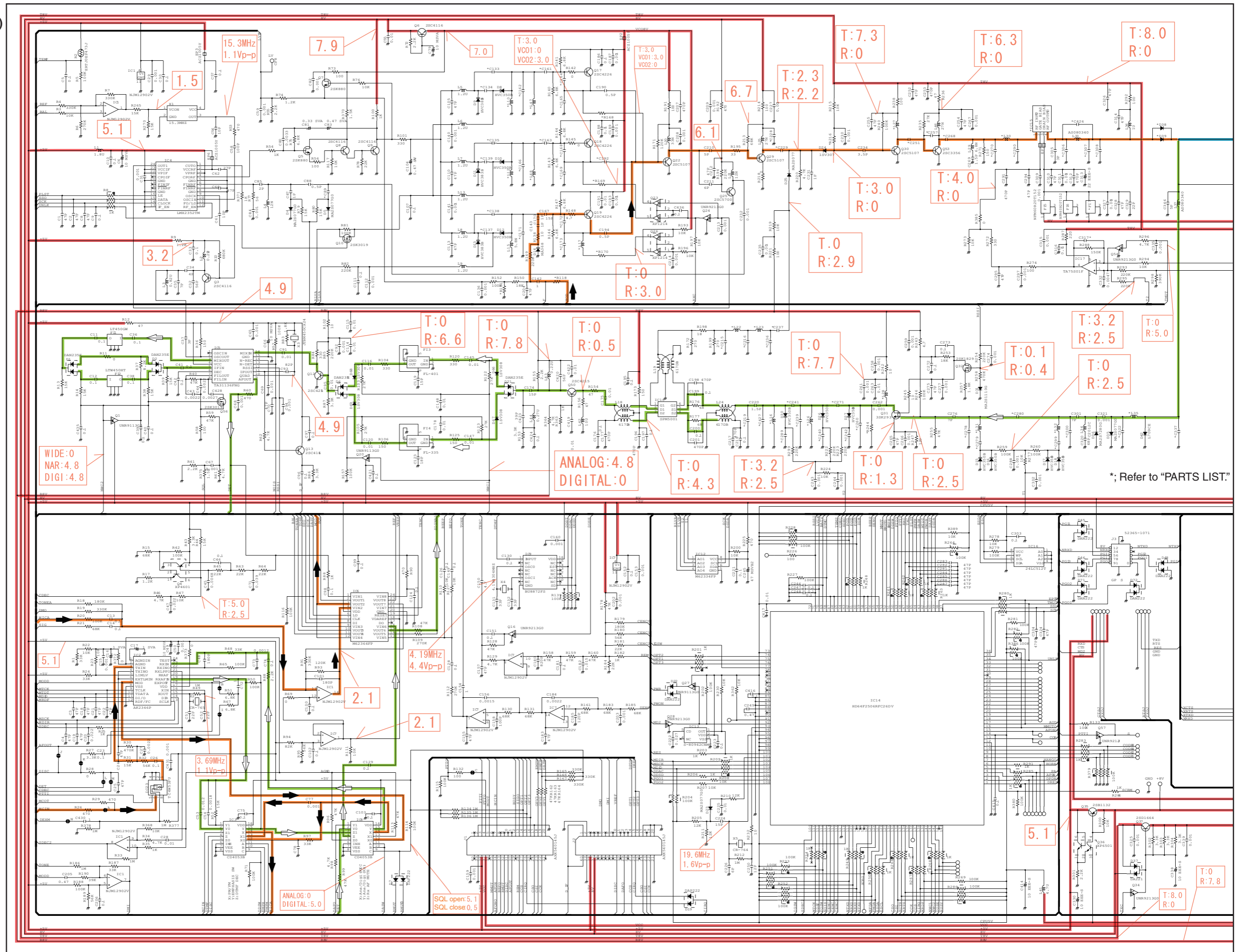
VOLTAGE DIAGRAM

• FRONT UNIT

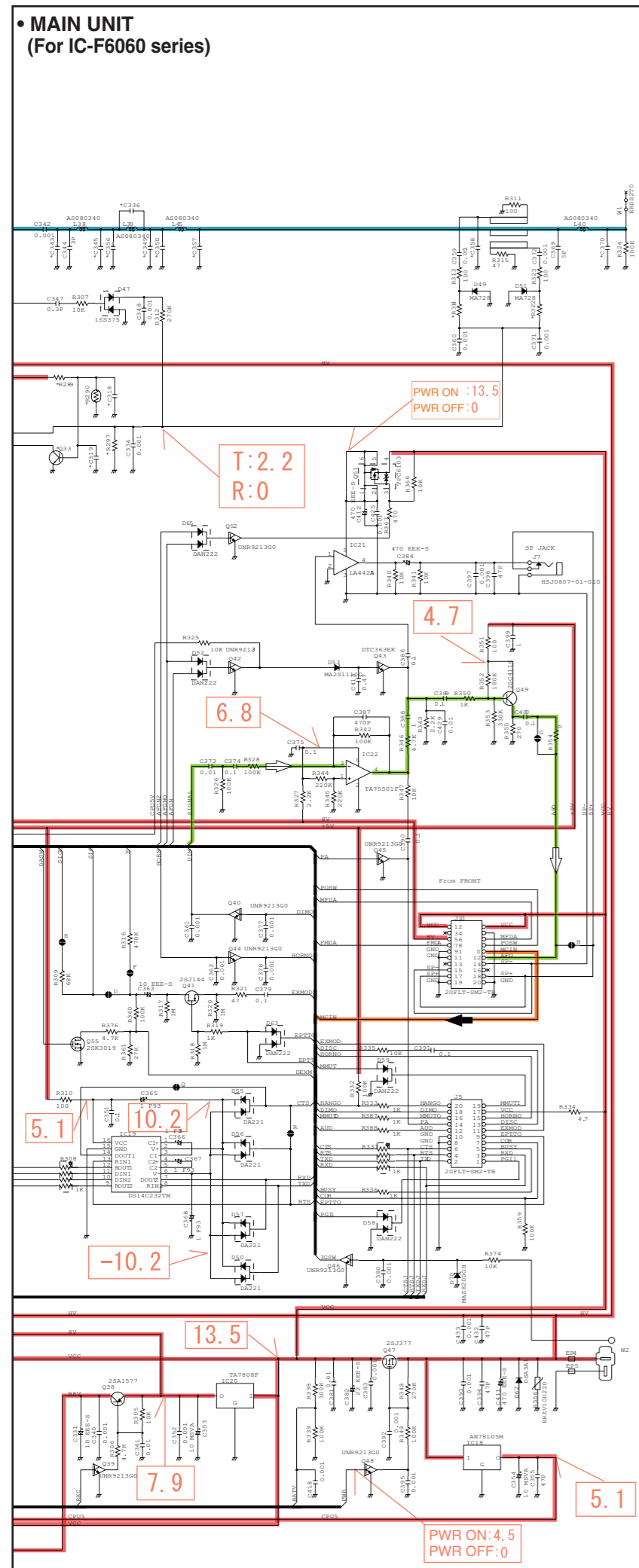


*; Refer to "PARTS LIST"

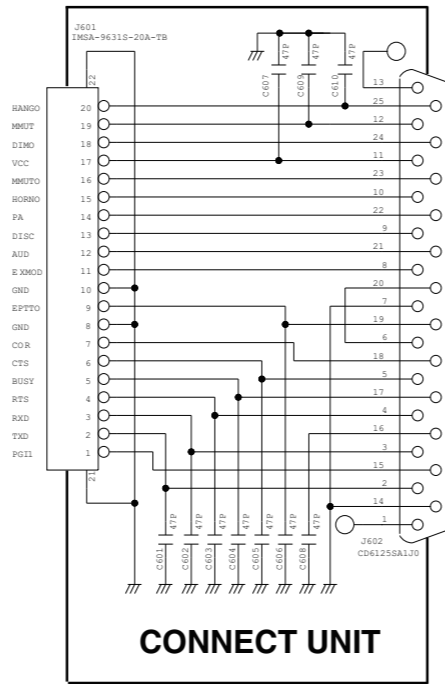
• MAIN UNIT
(For IC-F6060 series)



• MAIN UNIT
(For IC-F6060 series)



To J5 (MAIN UNIT)

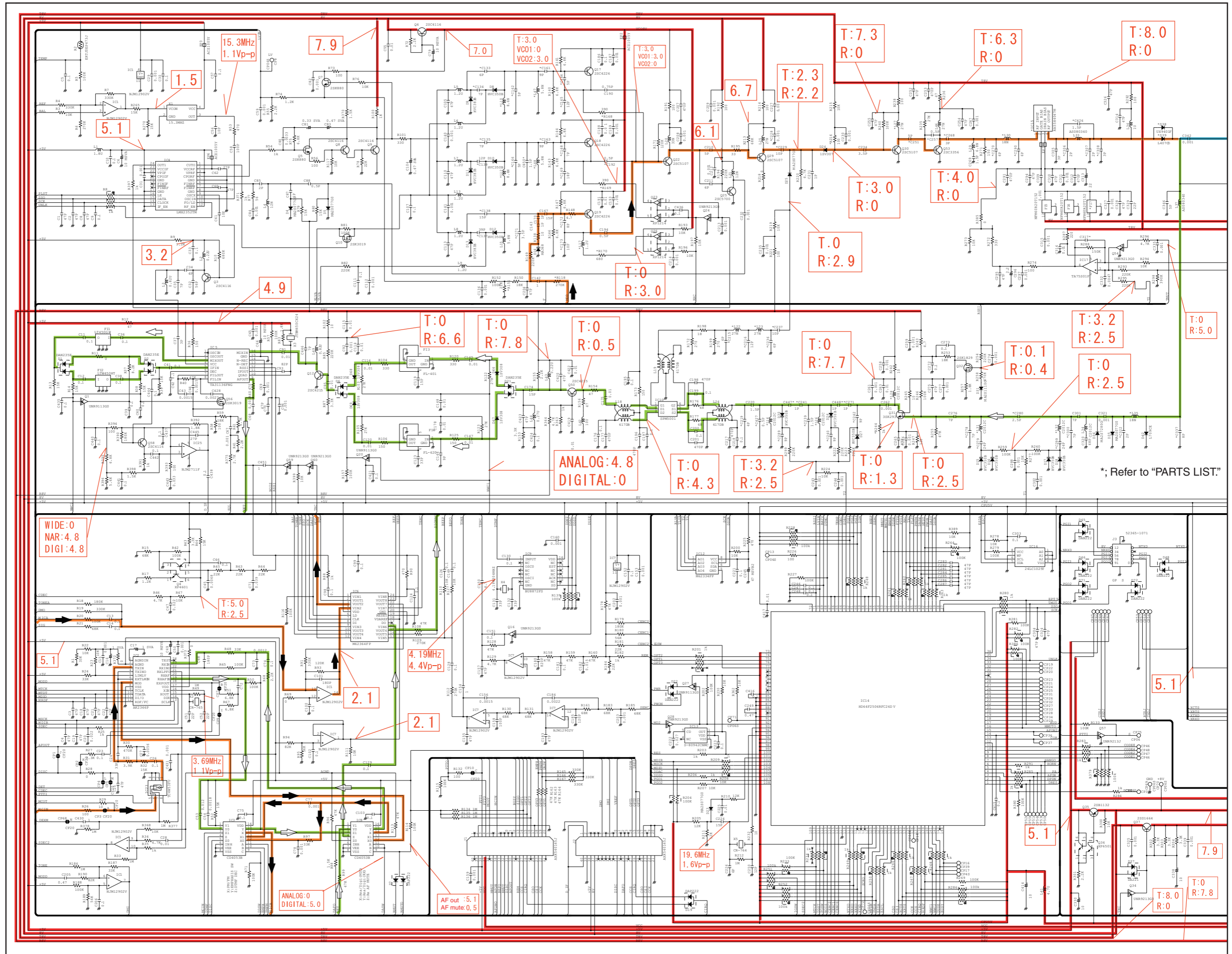


D-SUB 25pin

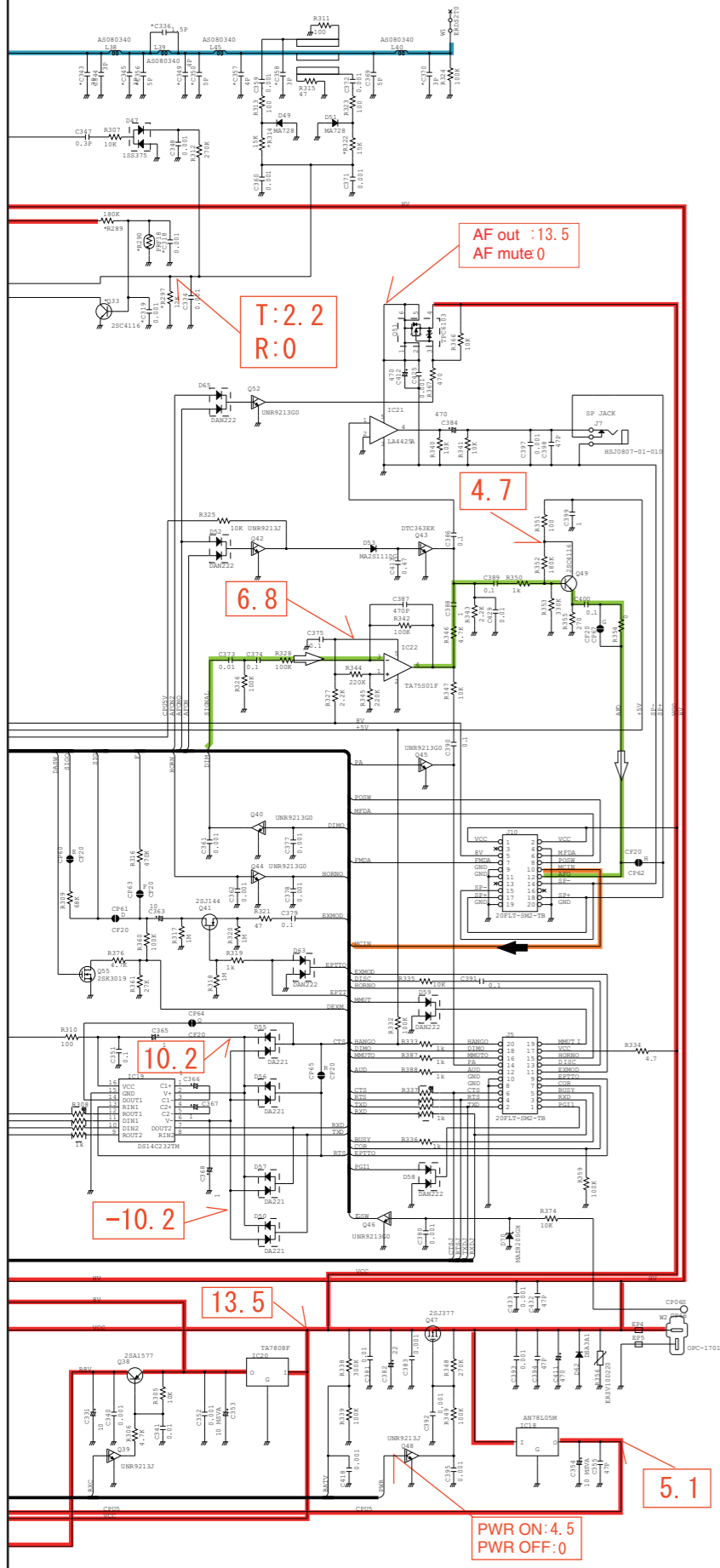
CONNECT UNIT

*; Refer to "PARTS LIST."

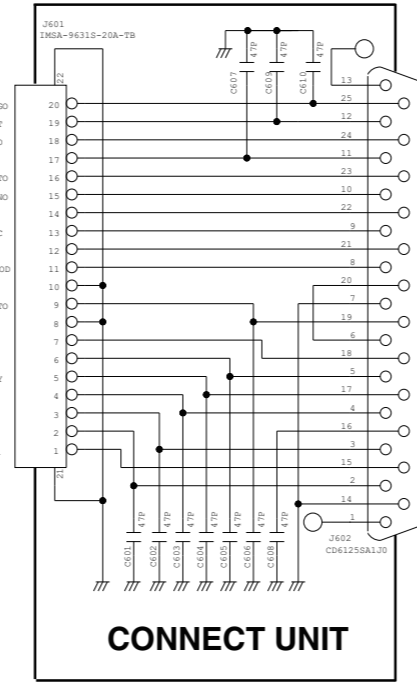
• MAIN-A UNIT
(For IC-F6061D)



**• MAIN-A UNIT
(For IC-F6061D)**



To J5 (MAIN UNIT)



D-SUB 25pin

*; Refer to "PARTS LIST."



SERVICE MANUAL

UHF TRANSCEIVER

IC-F6061
IC-F6061D
IC-F6062
IC-F6063

S-14324XZ-C1-②
Jan. 2008

Icom Inc.

INTRODUCTION

This service manual describes the latest service information for the **IC-F6061/F6061D/F6062/F6063** UHF TRANSCEIVER at the time of publication.

MODEL	VERSION	FREQUENCY RANGE	DESCRIPTION	TX POWER	
IC-F6061	USA-01	400–470 MHz (Low band)	–	45 W	
	USA-02	450–512 MHz (High band)			
	USA-03	400–470 MHz (Low band)	MDC compatible		
	USA-04	450–512 MHz (High band)			
IC-F6061D	USA-01	400–470 MHz (Low band)	MDC compatible & UT-126H installed		
	USA-02	450–512 MHz (High band)			
IC-F6062	EUR-01	400–470 MHz (Low band)	–		25 W
	EUR-03	400–470 MHz (Low band)	MDC compatible		
IC-F6063	EXP-01	400–470 MHz (Low band)	–		
	EXP-02	450–520 MHz (High band)			
	EXP-03	400–470 MHz (Low band)	MDC compatible		
	EXP-04	450–520 MHz (High band)			

CAUTION

NEVER connect the transceiver to an AC outlet or to a DC power supply that uses more than 15 V. This will ruin the transceiver.

DO NOT expose the transceiver to rain, snow or any liquids.

DO NOT reverse the polarities of the power supply when connecting the transceiver.

DO NOT apply an RF signal of more than 20 dBm (100 mW) to the antenna connector. This could damage the transceiver's front end.

To upgrade quality, any electrical or mechanical parts and internal circuits are subject to change without notice or obligation.



ORDERING PARTS

Be sure to include the following four points when ordering replacement parts:

1. 10-digit Icom parts numbers
2. Component part number and name
3. Equipment model name and unit name
4. Quantity required

<SAMPLE ORDER>

1110003491 S.IC TA31136FNG IC-F6061 MAIN UNIT 5 pieces
 8820001210 Screw 2438 screw IC-F6062 Top cover 10 pieces
 Addresses are provided on the inside back cover for your convenience.

REPAIR NOTES

1. Make sure the problem is internal before disassembling the transceiver.
2. **DO NOT** open the transceiver until the transceiver is disconnected from its power source.
3. **DO NOT** force any of the variable components. Turn them slowly and smoothly.
4. **DO NOT** short any circuits or electronic parts. An insulated tuning tool **MUST** be used for all adjustments.
5. **DO NOT** keep power ON for a long time when the transceiver is defective.
6. **DO NOT** transmit power into a signal generator or a sweep generator.
7. **ALWAYS** connect a 50 dB to 60 dB attenuator between the transceiver and a deviation meter or spectrum analyzer when using such test equipment.
8. **READ** the instructions of test equipment thoroughly before connecting equipment to the transceiver.

CONTENTS

SECTION 1 SPECIFICATIONS

SECTION 2 INSIDE VIEWS

SECTION 3 DISASSEMBLY INSTRUCTIONS

SECTION 4 OPTIONAL UNITS INSTALLATION

SECTION 5 CIRCUIT DESCRIPITON

5-1	RECEIVER CIRCUITS.....	5-1
5-2	TRANSMITTER CIRCUITS.....	5-2
5-3	FREQUENCY SYNTHESIZER CIRCUITS.....	5-3
5-4	POWER SUPPLY CIRCUITS.....	5-4
5-5	PORT ALLOCATIONS.....	5-5

SECTION 6 ADJUSTMENT PROCEDURES

6-1	PREPARATION.....	6-1
6-2	FREQUENCY ADJUSTMENT.....	6-4
6-3	TRANSMIT ADJUSTMENT.....	6-5
6-4	RECEIVE ADJUSTMENT.....	6-6

SECTION 7 PARTS LIST

SECTION 8 MECHANICAL PARTS

SECTION 9 BOARD LAYOUTS

SECTION 10 BLOCK DIAGRAM

SECTION 11 VOLTAGE DIAGRAM

SECTION 12 HM-152

SECTION 1

SPECIFICATIONS

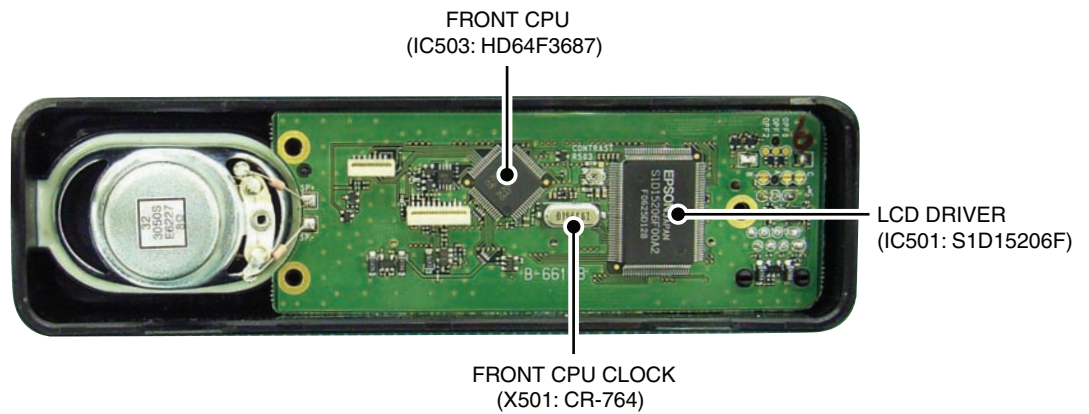
		[USA]	[EXP]	[EUR]	
GENERAL	• Frequency coverage	400–470 MHz [USA-01] 450–512 MHz [USA-02]	400–470 MHz [EXP-01] 450–520 MHz EXP-02]	400–470 MHz	
	• Type of emission	Wide	16K0F3E (25.0 kHz)		
		Middle	–		
		Narrow	11K0F3E (12.5 kHz) 11K0F7E/D (12.5 kHz)* 8K10F1E/D (12.5 kHz)* 4K00F1E/D (6.25 kHz)*	8K50F3E (12.5 kHz) 4K00F1E/D (6.25 kHz)*	
	• Number of programable channels	max. 512 channels (128 zones)			
	• Antenna impedance	50 Ω (nominal)			
	• Operating temperature range	–30° to +60°; –22°F to +140°F; –22°F to +140°F		–25°C to +55°C	
	• Power supply requirement (negative ground)	13.6 V DC (nominal)		13.2 V DC (nominal)	
	• Current drain (approx.)	RX	Stand-by	300 mA	
			Max.audio	1200 mA	
TX		at 25 W	7 A		
		at 45 W	14 A		
• Dimensions (projections not included)	160 (W) × 45 (H) × 150 (D) mm; 2 ^{3/32} (W) × 4 ^{23/32} (H) × 1 ^{9/32} (D) in				
• Weight	1310 g; 2 lb 14 oz				
TRANSMITTER	• Transmit output power	45 W	25 W		
	• Modulation	Variable reactance frequency modulation			
	• Max. permissible deviation	Wide	±5.0 kHz		
		Middle	–		
		Narrow	±2.5 kHz		
	• Frequency error	±1.0 ppm	±1.5 kHz		
	• Spurious emission	75 dB typ.		0.25 μW (≤1 GHz), 1.0 μW (>1 GHz)	
	• Adjacent channel power	Wide	More than 70 dB		
		Middle	–		
		Narrow	More than 60 dB		
	• Audio harmonic distortion	3% typ. (with 1 kHz AF 40% deviation)			
	• FM hum and noise (without CCITT filter)	Wide	More than 40 dB (45 dB typ.)		
Narrow		More than 34 dB (40 dB typ.)			
• Limiting charact of modulation	70–100% of max. deviation				
• Microphone impedance	600 Ω				
RECEIVER	• Receive system	Double-conversion superheterodyne			
	• Intermediate frequencies	1st IF; 46.35 MHz, 2nd IF; 450 kHz			
	• Sensitivity	0.25 μV typ. at 12 dB SINAD		–4 dBμV (EMF) typ. at 20 dB SINAD	
	• Squelch sensitivity (at threshold)	0.25 μV typ.			
	• Adjacent channel selectivity	Wide	More than 80 dB (85 dB typ.)		
		Middle	–		
		Narrow	More than 70 dB (75 dB typ.)		
	• Spurious response	More than 85 dB (90 dB typ.)			
	• Intermodulation	More than 75 dB (77 dB typ.)		More than 65 dB (70 dB typ.)	
	• Hum and noise (without CCITT filter)	Wide	More than 45 dB (50 dB typ.)		
Narrow		More than 40 dB (45 dB typ.)			
• Audio output power	4 W typ. at 10% distortion with a 4 Ω load				
• Audio output impedance	4 Ω				

*; Available when an optional digital unit (UT-119H/UT-126H) is installed.

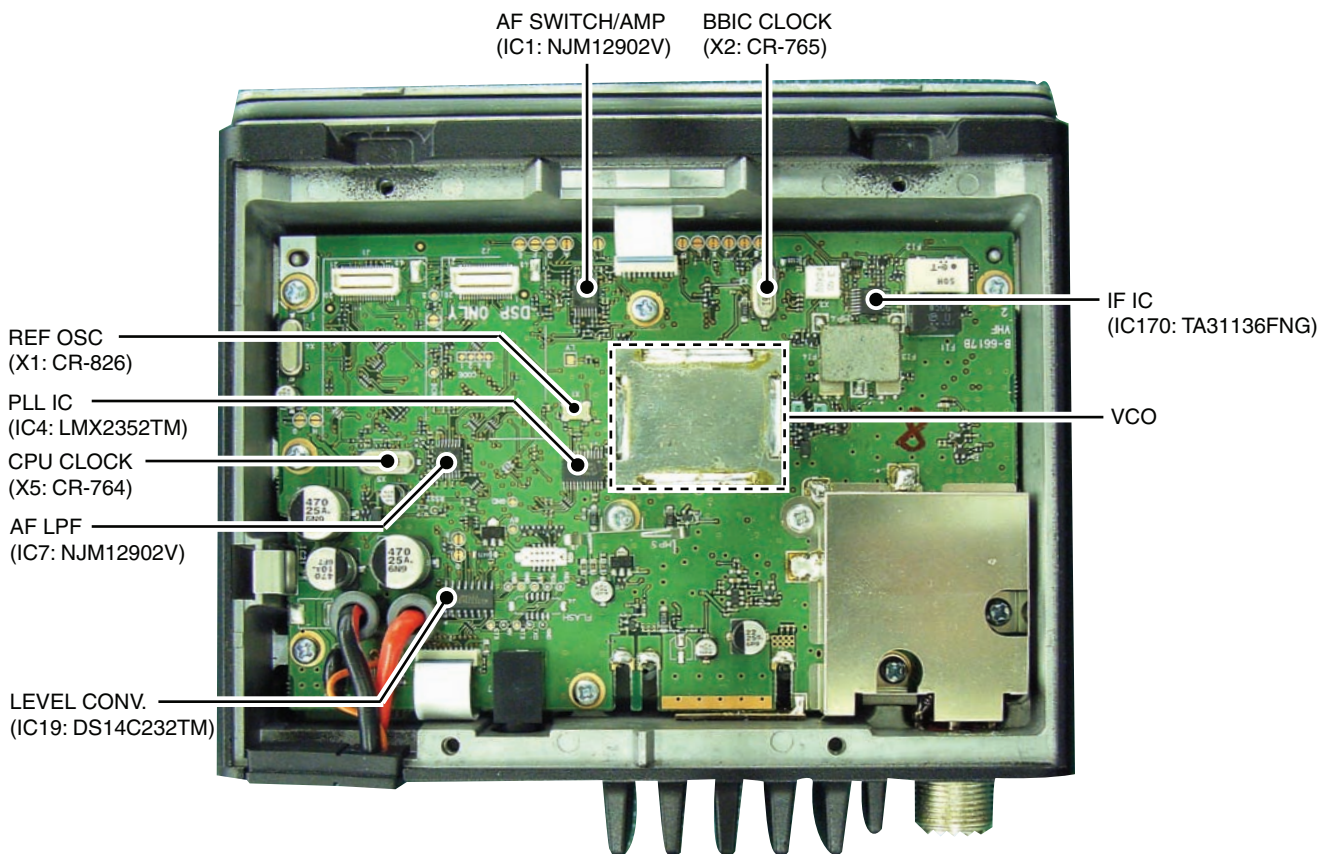
SECTION 2

INSIDE VIEWS

• FRONT UNIT



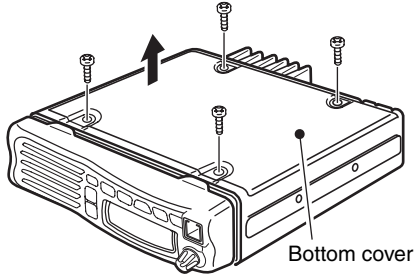
• MAIN UNIT



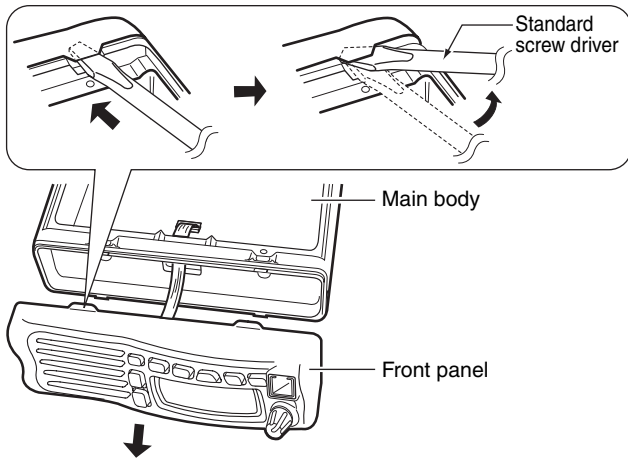
SECTION 3 DISASSEMBLY INSTRUCTION

1. Removing the front panel

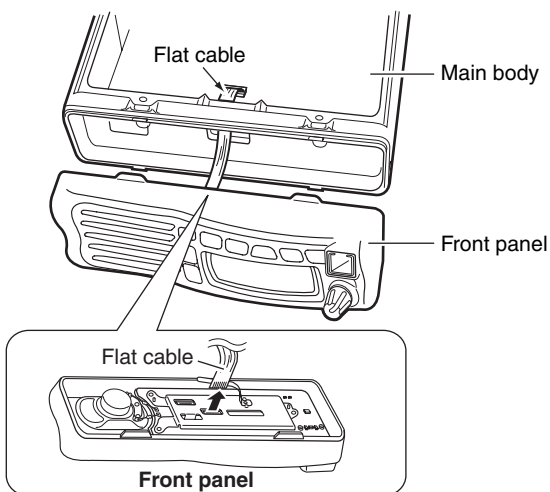
- ① Turn the transceiver's power OFF, then disconnect the DC power cable
- ② Unscrew the 4 bottom screws, then remove the bottom cover from the transceiver in the direction of the arrow.



- ③ Remove the front panel from the main body using a standard cabinet screw driver as shown below.

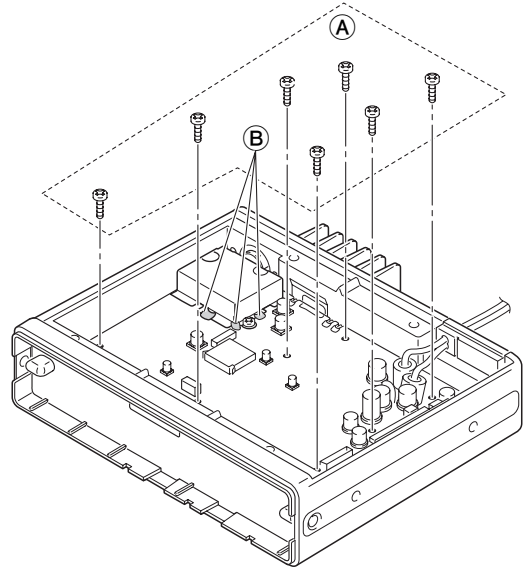


- ④ Disconnect the flat cable from the front panel.

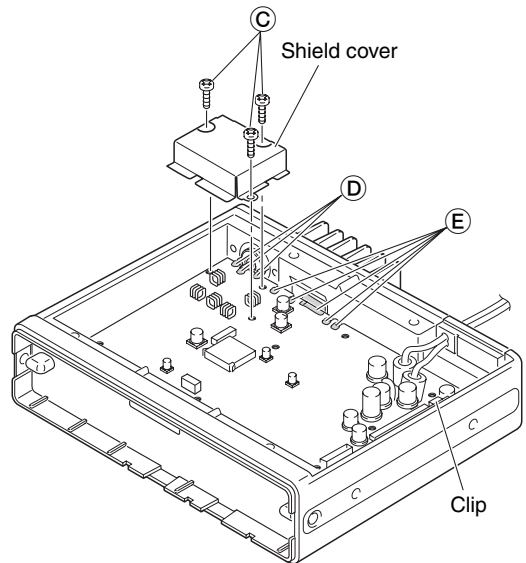


2. Removing the MAIN UNIT

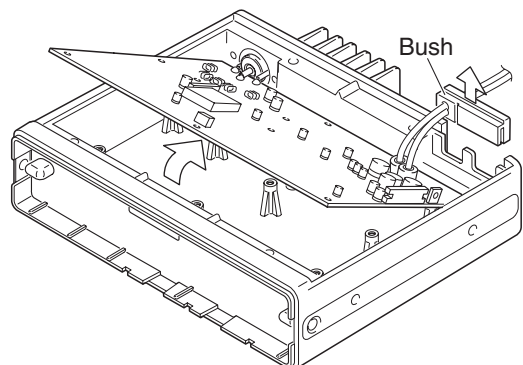
- ① Unscrew 7 screws (A), and unsolder 3 points (B).



- ② Unscrew 3 screws (C) and remove the shield cover.
- ③ Unsolder 3 points (D) (at the antenna connector) and 5 points (E) (at the PA module).
- ④ Remove the clip.



- ⑤ Remove the bush, and remove the MAIN UNIT in the direction of the arrow.

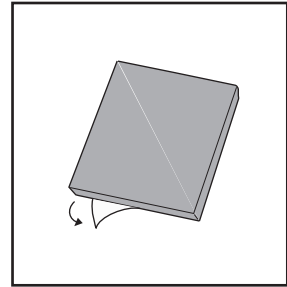


SECTION 4 OPTIONAL UNITS INSTALLATION

BEFORE INSTALLING OPTIONAL UNITS

A sponge with an adhesive strip has been added to optional units (UT-96R, UT-108R, UT-109R, UT-110R, UT-119R, UT-124, UT-124R).

Remove the bottom protective paper, and attach the sponge to the specified position on the optional units as below.

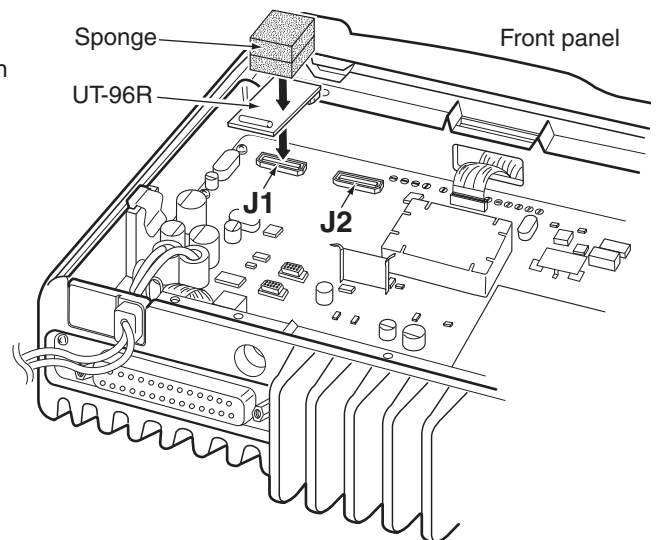


<p>• UT-96R</p> A schematic diagram of the UT-96R unit. A grey rectangular area on the right side of the unit is labeled 'Supplied sponge' with a dot and a line pointing to it. The diagram shows various components like a vertical slot on the left, a large central square, and a circular component at the bottom right.	<p>• UT-108R/UT-124/UT-124R</p> A schematic diagram of the UT-108R, UT-124, and UT-124R units. A grey rectangular area on the right side of the unit is labeled 'Supplied sponge' with a dot and a line pointing to it. The diagram shows a vertical slot on the left and a small circle at the bottom right.
<p>• UT-109R/UT-110R</p> A schematic diagram of the UT-109R and UT-110R units. A grey rectangular area on the right side of the unit is labeled 'Supplied sponge' with a dot and a line pointing to it. The diagram shows a vertical slot on the left, a large central square, and a circular component at the bottom right.	<p>• UT-119R</p> A schematic diagram of the UT-119R unit. A grey rectangular area on the right side of the unit is labeled 'Supplied sponge' with a dot and a line pointing to it. The diagram shows a large central square and a circular component at the bottom right.

Optional UT-96R, UT-119H or UT-126H installation

Install the optional units as follows:

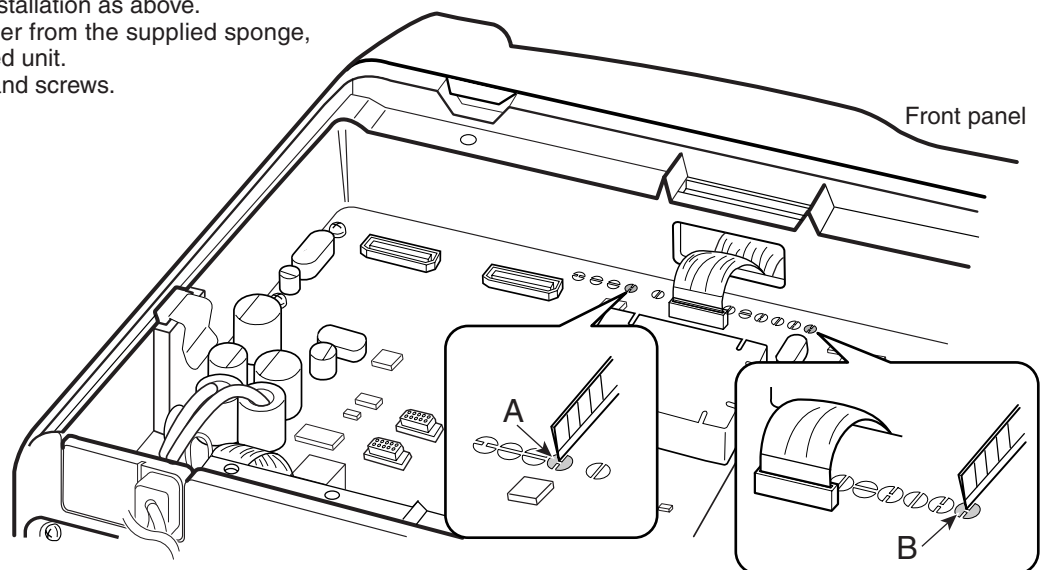
- ① Turn the power OFF, then disconnect the DC power cable.
- ② Unscrew the 4 cover screws, then remove the bottom cover.
- ③ Install the UT-96R to J1 and the UT-119H/UT-126H to J2 as shown in the diagram below.
- ④ Remove the protective paper from the supplied sponge, then attach it on the installed unit.
- ⑤ Replace the bottom cover and screws, then re-connect the DC power cable.



*This illustration describes the UT-96R installation.

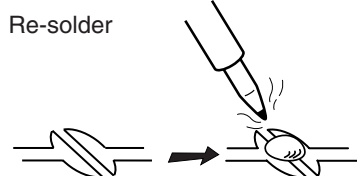
Optional UT-109R or UT-110R installation

- ① Turn the power OFF, then disconnect the DC power cable.
- ② Unscrew the 4 cover screws, then remove the bottom cover.
- ③ Cut the pattern on the PCB at the A (MIC) and B (AF OUT) as shown below.
- ④ Install the scrambler unit to J1 as described in the installation of optional UT-96R installation as above.
- ⑤ Remove the protective paper from the supplied sponge, then attach it on the installed unit.
- ⑥ Replace the bottom cover and screws.



NOTE: When uninstalling the unit

Be sure to re-solder the disconnected points as below when you remove the unit. Otherwise no TX modulation or AF output is available.



5-1 RECEIVER CIRCUITS

RF CIRCUITS

The antenna switching circuit toggles between the receive (RX) line and transmit (TX) line. RF amplifier amplifies the received signals within the frequency coverage.

Received signals from the antenna are passed through Low Pass filter (LPF; L40, C369, C370), TX power detector (D47, D49, D51) and another LPF (L38, L39, L45, C343, C345, C349, C350, C356, C357), then applied to the antenna switching circuit (D38, D39, L37, C337, C346).

The received signals are passed through the antenna switching circuit as an LPF (L37, C337, C346), LPF (L35, C322, C322, C323, C336) and two-staged tuned Bandpass Filter (BPF; D34, L32, C299, C300 and D31, L31, C278, C279), then applied to the RF amplifier (Q31).

The amplified signals are passed through another two-staged tuned BPF (D27, L28, C260–C263, C242 and D26, L26, C219, C220, C240) and applied to the 1st mixer (IC10; pins 4, 5, L18, L19, L24).

1ST IF CIRCUITS

The amplified received signals from the RF circuit are converted into the 1st IF signal, filtered and amplified at the 1st IF circuits.

The received signals from the RF circuits are mixed with 1st Local Oscillator (LO) signal from the RX VCOs, to be converted into the 1st IF signal. The converted 1st IF signal is amplified by 1st IF amplifier (Q50). The amplified 1st IF signal is passed through the 1st IF filter (FI3 for analog mode, FI4 for digital mode) via filter switches (Q20, D21, D66, D67 on input side; D6, D68, D69 on output side) to suppress unwanted signals. The filtered 1st IF signal is amplified by another 1st IF amplifier (Q12), then applied to the 2nd IF circuits.

2ND IF CIRCUITS

The 1st IF signal is converted into the 2nd IF signal, amplified and demodulated in the IF IC.

The 1st IF signal from the 1st IF amplifier (Q12) is applied to the IF IC (IC5, pin 16). The applied signal is converted into the 2nd IF signal by being mixed with the 2nd LO signal from X1 via tripler (Q3, L3, L2, C32–C35).

The converted 2nd IF signal is output from pin 3, and passed through the 2nd IF filter (FI1). The filtered 2nd IF signal is passed through (bypassed) another 2nd IF filter (FI2) via filter switches (D1 on input side; D2 on output side). The filtered signal is then applied to the IF IC (IC5, pin 5), and amplified by 2nd IF amplifier. The amplified signal is FM-demodulated by quadrature detector (IC5, pins 10, 11; X3).

The demodulated AF signals are output from pin 9, then applied to the AF circuits.

AF CIRCUITS

The demodulated AF signals from the IF IC are amplified and filtered at AF circuits.

This transceiver employs the base band IC for audio signal processing for both transmit and receive. The base band IC is an audio processor and composed of pre-amplifier, compressor, expander, scrambler, etc. in its package.

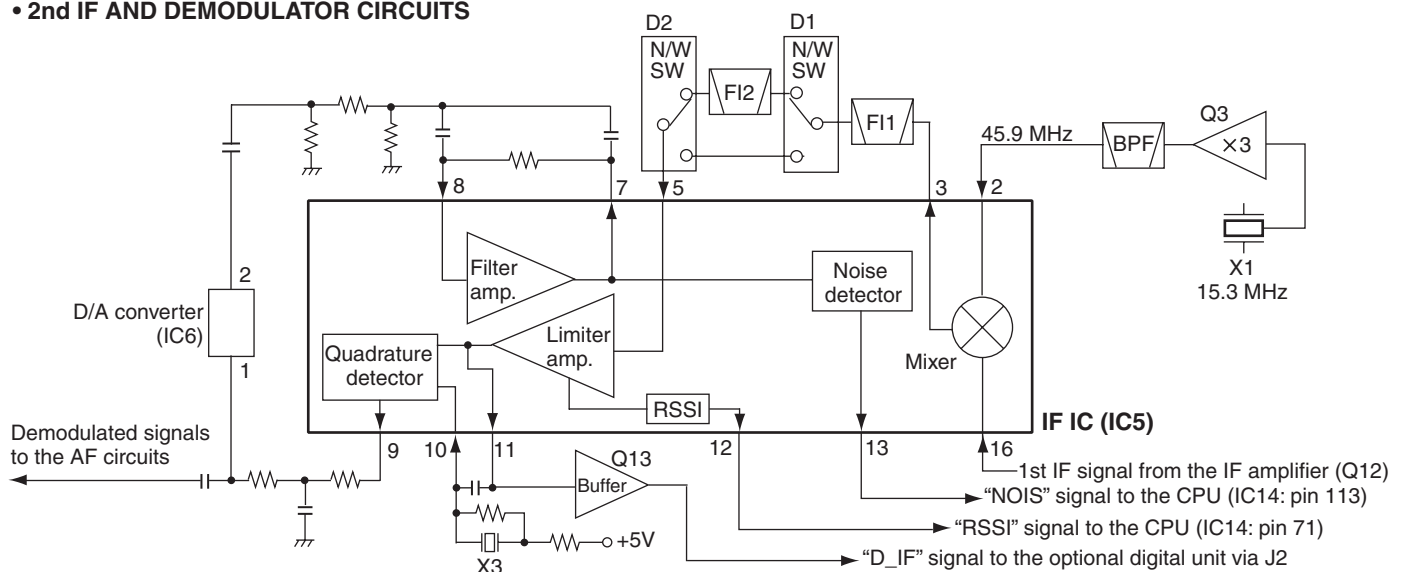
The demodulated AF signals from IF IC (IC5, pin 9) are passed through Digital/Analog switch (IC8, pins 2, 15), and applied to the base band IC (IC2, pin 23).

The applied AF signals are amplified at the amplifier section and level adjusted at the volume controller section, then suppressed unwanted 3 kHz and higher audio signals at LPF. The filtered AF signals are applied (bypassed) the TX/RX HPF, scrambler, de-emphasis sections in sequence.

The TX/RX HPF filters out 250 Hz and lower audio signals, and the de-emphasis circuit obtains -6 dB/oct of audio characteristics. The expander expands the compressed audio signals and also noise reduction function is provided.

The AF signals are then level adjusted at the volume controller section and amplified at the amplifier section, then output from pin 20 (IC2).

• 2nd IF AND DEMODULATOR CIRCUITS



The processed AF signals from the base band IC (IC2) are passed through the AF mute switch (IC8, pins 3, 4) and D/A converter (IC6, pins 15, 16) for level adjustment. The level adjusted AF signals are amplified by AF amplifier (IC22).

The amplified AF signals are then;

- Output from D-sub 25 pin connector (CONNECT UNIT; J602).
or
- Buffer-amplified by Q49, then applied to connected microphone via FRONT UNIT.
or
- Applied to the AF power amplifier (IC21, pin 1) to obtain AF output power level, then applied to the internal/external speaker via external speaker jack (J7).

SQUELCH CIRCUITS

<NOISE SQUELCH>

The squelch mutes the AF output signals when no RF signals are received. By detecting noise components (30 kHz and higher signals) in the demodulated AF signals, the squelch circuit toggles the AF power amplifier ON and OFF.

A portion of the demodulated AF signals from the IF IC (IC5, pin 9) are applied to the D/A converter (IC6, pin 1) for level adjustment (squelch threshold adjustment). The level-adjusted AF signals are output from pin 2 and passed through the noise filter (IC5, pins 7, 8, R121–R124, C216–C218). The filtered noise signals are amplified the noise components only.

The amplified noise components are converted into the pulse-type signal at the noise detector section, and output from pin 13 as the “NOIS” signal. The “NOIS” signal is applied to the CPU (IC14, pin 113). Then the CPU outputs signal “AFON2” signal from pin 15 to the AF power amplifier controller (Q51, Q52, D65), according to the “NOIS” signal level. The AF power amplifier controller toggles AF power amplifier (IC21) ON and OFF according to the “AFON” signal.

<TONE SQUELCH>

The tone squelch circuit detects tone signals and opens the squelch only when receiving a signal containing a matched sub audible tone. When the tone squelch is in use, and a signal with a mismatched or no sub audible tone is received, the tone squelch circuit mutes the AF signals even when the noise squelch is open.

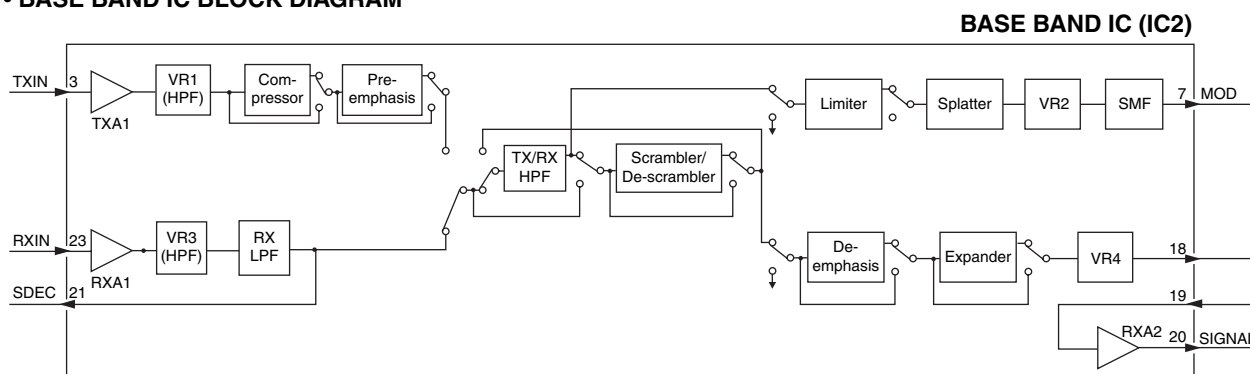
• CTCSS/DTCS

A portion of the demodulated AF signals are passed through the active LPF (Q4, R45, R46, R47, R63, R64, C45, C46, C47, C71) to filters CTCSS/DTCS signal. The filtered signal is applied to the CPU (IC14, pin 64). The CPU compares the applied signal and the set CTCSS/DTCS, then outputs control signal as same as “NOISE SQUELCH.”

• 2/5 TONE AND DTMF

2/5 tone signals in the demodulated AF signals are passed through the LPF in the base band IC (IC2) and output from pin 21, then applied to the CPU (IC14, pin 63) via tone amplifier (IC1, pins 8, 9), and decoded.

• BASE BAND IC BLOCK DIAGRAM



5-2 TRANSMITTER CIRCUITS MICROPHONE AMPLIFIER CIRCUITS

The AF signals from the microphone (MIC signals) are filtered and level-adjusted at the microphone amplifier circuits.

AF signals from the connected microphone (MIC signals) are passed through (bypassed) the ALC (Automatic Level Control) amplifier (FRONT UNIT; IC505, pins 3, 5) via AF switch (FRONT UNIT; IC507, pins 1, 6/7), then applied to the microphone amplifier (FRONT UNIT; IC508, pin 3). The amplified MIC signals are output from pin 4, and applied to the MAIN UNIT.

The MIC signals from the FRONT UNIT are passed through the Int./Ext. MIC switch (IC23, pins 1, 6), and applied to the base band IC (IC2, pin 3) and processed.

The applied MIC signals are amplified at the amplifier (TXA1), and level adjusted at the volume controller (VR1). The level adjusted MIC signals are applied (bypassed) the compressor section, pre-emphasis section, TX/RX HPF, de-scrambler, limiter, splatter, in sequence, then applied to another volume controller.

The compressor compresses the MIC signals to provide high S/N ratio for receive side, and the pre-emphasis obtains +6 dB/oct audio characteristics. The TX/RX HPF filters out 250 Hz and lower audio signals, the limiter limits its level and the splatter filters out 3 kHz and higher audio signals. The filtered MIC signals are level adjusted at another volume controller (VR2), and then output from pin 7 via smoothing filter (SMF).

The MIC signals from the base band IC are passed through the digital/analog switch (IC8, pins 12, 14), FM/PM switch (IC3, pins 13, 14), and applied to the AF mixer (IC1, pin 13) where the MIC signals and tone signals are mixed with. The mixed MIC signals are passed through D/A converter (IC6, pins 3, 4) for level adjustment. The level adjusted MIC signals are then applied to the VCO as modulation signals.

MODULATION CIRCUITS

The modulation circuits modulates the VCO oscillating signal using the modulation signals.

The MIC signals from the microphone amplifier circuits are applied to the D20 of TX VCO (Q19, D14, D17, D18, D20) as the modulation signals, and modulate the VCO oscillating signal by changing the reactance of D20.

The FM-modulated VCO output is amplified by buffer-amplifiers (Q22, Q29), then applied to the power amplifiers via D24 as the TX signal.

SIGNALING ENCODE

5/2-TONE, DTMF and CTCSS/DTCS signals are output from the CPU (IC14) and passed through the LPF (IC7) and level converter (IC6), then applied to the AF mixer (IC1, pin 13) and mixed with MIC signals. The mixed tone signals are passed through the D/A converter (IC6, pins 3, 4) for level adjustment. The level adjusted tone signals are applied to the both of TX VCO (Q19, D14, D17, D18, D20) and reference frequency oscillator (X1, pin 1) via the level adjuster (IC1, pins 1, 3).

TX POWER AMPLIFIERS

The transmit signal from the TX VCO is amplified to the transmit output level by the transmit amplifiers.

The TX VCO output signal from buffer amplifier (Q29) is applied to the YGR amplifiers (Q30, Q53) via the TX/RX switch (D24). The amplified TX signal is passed through the LPF (L29, L30, C269–C271, C290), and applied to the RF power module (IC15, pin 1) and power-amplified to obtain 50 W/25 W (max.) of TX output power.

The power-amplified TX signal is passed through the LPF as a harmonic filter (L33, C305–C308), the antenna switching circuit (D38, D39) and LPF (L38, L39, L45, C343, C345, C349, C350, C356, C357).

The TX signal is also gone through the power detector (D47, D49, D51) and LPF (L40, C369, C370) before being applied to the antenna connector.

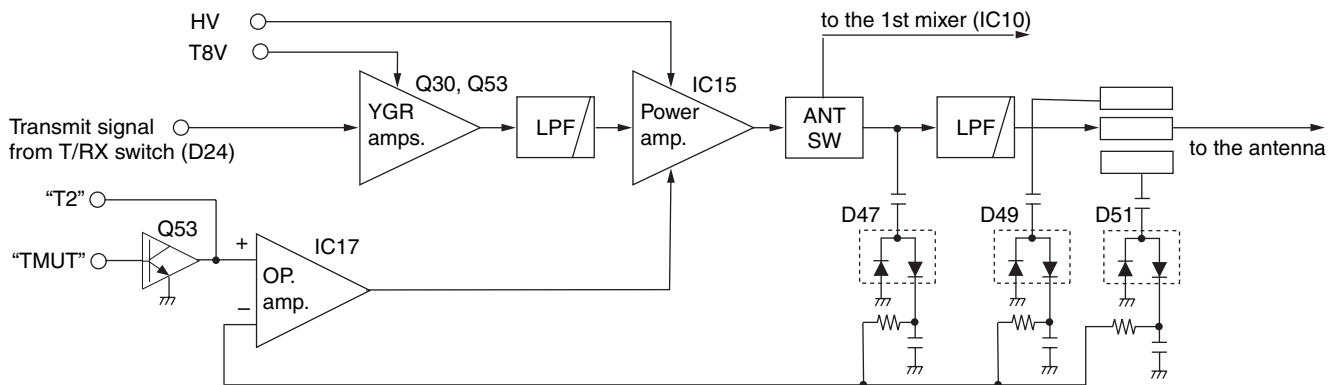
APC CIRCUIT

The APC (Automatic Power Control) circuit prevents the transition of the transmit output power level which is caused by load mismatching or heat effect, etc. At the power detector, a portion of the transmit signal is rectified to produce DC voltage which is in proportion of the transmit power level.

The rectified voltage is applied to the inverted input terminal of the operational amplifier (IC17, pin 3). The TX power setting voltage “T2” from the D/A converter (IC12, pin 2) is applied to the non-inverted input terminal as the reference.

The operational amplifier compares the rectified voltage and reference voltage “T2,” and the difference of the voltage is output from the operational amplifier pin 4, and the output voltage controls the bias of YGR amplifiers (Q30, Q53) and power module (IC15) for stable transmit output power.

• APC CIRCUIT



5-3 FREQUENCY SYNTHESIZER CIRCUITS

VCO is a oscillator whose oscillating frequency is controlled by adding voltage (lock voltage).

• RX VCO1 (Q18, D10, D13)

RX VCO1 generates the 1st LO signal for receiving 485 MHz and below signals.

• RX VCO2 (Q17, D8, D9)

RX VCO2 generates the 1st LO signal for receiving 485 MHz and above signals.

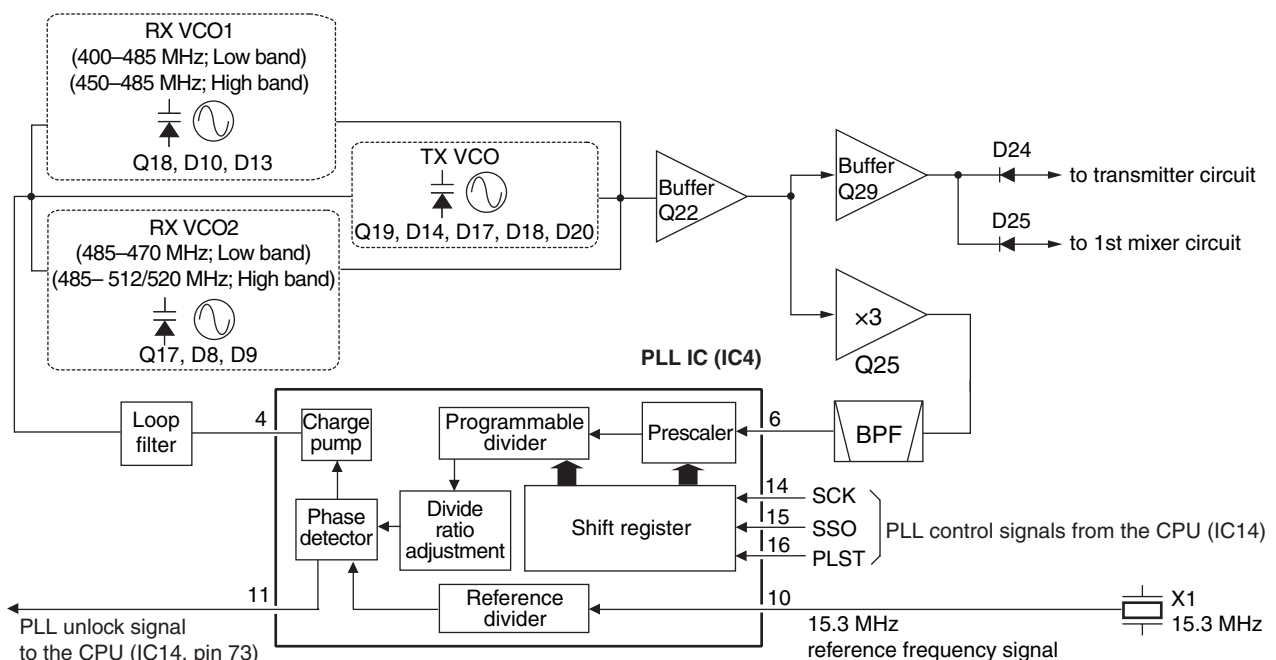
Each output signals are amplified by the buffer amplifiers (Q22, Q29), and applied to the 1st mixer (IC10, pins 4, 5) via TX/RX switch (D25 is ON, D24 is OFF) and LPF (L22, L23, C215, C216, C236, C237), to be mixed with the received signals to produce the 46.35 MHz 1st IF signal.

• TX VCO (Q19, D14, D17, D18, D20)

The output signal is applied to the transmit amplifiers via the buffer amplifiers (Q22, Q29) and TX/RX switch (D24 is ON, D25 is OFF).

A portion of the buffer-amplified VCO output signals from the buffer amplifier (Q22) are applied to the PLL IC (IC4, pin 6) via doubler (Q25) and BPF (Q5, D4, D5, L4, R77, C84–C90).

• PLL CIRCUITS



PLL IC

The PLL circuit provides stable oscillation of the transmit frequency and receive 1st LO frequency. The PLL output frequency is controlled by the divided ratio (N-data) from the CPU.

The applied signals are divided at the prescaler and programmable counter according to the control signals ("SSO," "PLST" and "SCK") from the CPU. The divided signal is phase-compared with the reference frequency signal from the reference frequency oscillator (X1, pin 3), at the phase detector.

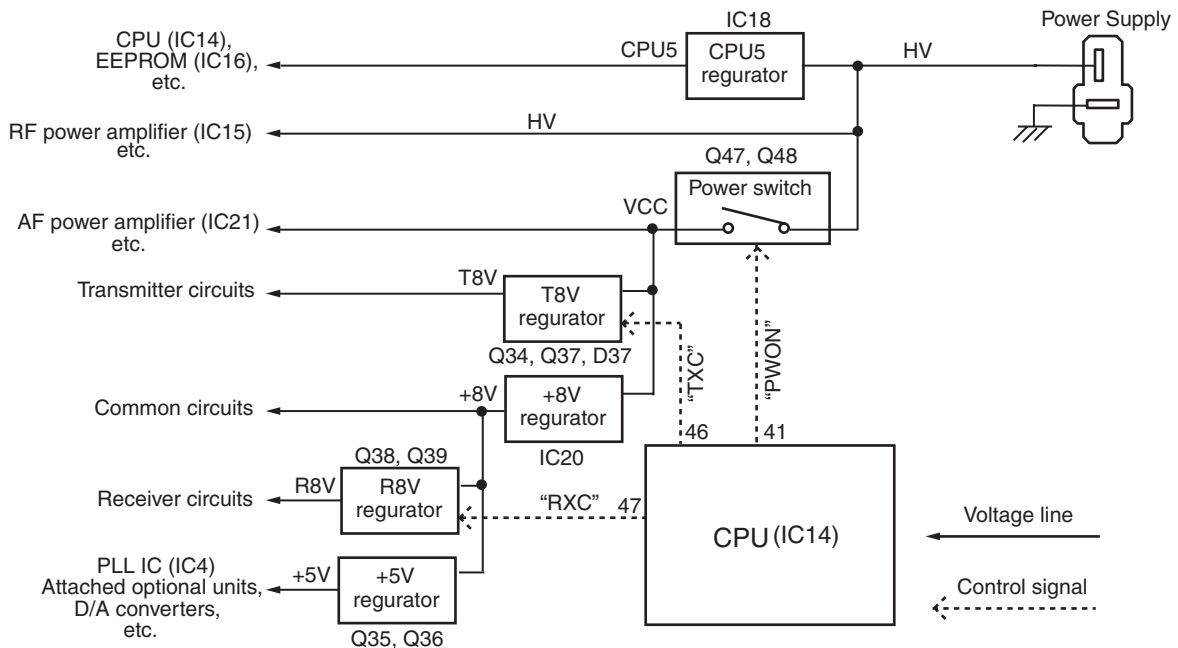
The phase difference is output from pin 4 as a pulse type signal after being passed through the internal charge pump. The output signal is converted into the DC voltage (lock voltage) by passing through the loop filter (Q8, Q9). The lock voltage is applied to the variable capacitors (D10 and D13 of RX VCO1, D8 and D9 of RX VCO2, D14 and D17 of TX VCO), and locked to keep the VCO frequency constant.

If the oscillated signal drifts, its phase changes from that of the reference frequency, causing a lock voltage change to compensate for the drift in the VCO oscillating frequency.

5-4 POWER SUPPLY CIRCUITS

Voltage from the attached battery pack is routed to whole of the circuit in the transceiver via switches and regulators.

• POWER SUPPLY CIRCUITS



5-5 PORT ALLOCATIONS

• CPU (MAIN UNIT; IC14)

Pin No.	Port Name	Description
1	DSDA	Outputs serial data to the D/A converter (IC20, pin 6).
2	DAST	Outputs strobe signal to the D/A converter (IC4, pin 6).
3	SIDE3	Input port for [Side3] key (S4). "Low"=When the key is pushed.
4-7	CBIO-3	Input ports for [ROTARY SELECTOR] (VR UNIT; S701).
10	SSO	Outputs serial data to the PLL IC (IC1, pin 15), D/A converter (IC4, pin 8).
11	SCK	Outputs serial clock signal to the PLL IC (IC1, pin 14), D/A converter (IC4, pin 8).
13	PLST	Outputs PLL strobe signal to the PLL IC (RF UNIT; IC1, pin 16).
15	DASW	Outputs mode (Digital/Analog) switching signal to the D/A converter (IC14, pins 10, 11).
17	TMUT	Outputs transmit mute signal to the transmit mute switch (RF UNIT; Q606).
18	NWC2	Outputs Narrow/Wide mode switching signal to the bandwidth switches (Q26, D32, D33).
19	NWC1	Outputs Narrow/Wide mode switching signal to the bandwidth switches (Q27, Q41, Q42, D34, D35).
20	DDSD	Outputs serial data to the DTMF decode IC (IC10, pin 9).
21	DDAC	Outputs serial clock signal to the DTMF decode IC (IC10, pin 11).
26	T5C	Outputs T5V line control signal to the T5V regulator (Q15). "Low"= While transmitting.
27	R5C	Output R5V line control signal to the R5V regulator (Q16). "Low"= While receiving.
28	S5C	Output S5V line control signal to the S5V regulator (Q14). "Low"=While power save mode.
29	PTTSW	Input port for [PTT] switch (S3). "Low"=When the switch is pushed.
30	SIDE2	Input port for [Side2] key (S5). "Low"=When the key is pushed.
32	RMUT	Outputs mute signal to the AF mute switch (D42).
37	NOIS	Input port for the noise level from the IF IC (IC3, pin 13).
38	POSW	Input port for power switch (VR UNIT; R702) from power controller (D36).
39	DDST	Outputs strobe signal to the DTMF decode IC (MAIN UNIT; IC10, pin 14).
40	MTCK	Outputs serial clock signal to the base band IC (MAIN UNIT; IC5, pin 9).
41	PWON	Outputs VCC line control signal to the power switch (Q30, Q31). "Low"=While the power is ON.
43	SENC	Outputs single tone encode signal to the LPF (IC17, pin 10).
44	BEEP	Outputs beep sound to the AF circuits (IC4, pin 13).
45	SDEC	Input port for decoded 2/5 tone and DTMF signals.
46	CDEC	Input port for decoded CTCSS/DTCS signal.
47	ISENS	Input port for power amplifier current detect signal from the current detector (RF UNIT; Q604, Q605).
48	BATV	Input port for remaining battery power.
49	LVIN	Input port for VCO lock voltage.
50	RSSI	Input port for RSSI signal from the IF IC (IC3, pin 12).
55	EMER	Input port for [Emer] switch (VR UNIT; S702).

Pin No.	Port Name	Description
70	CSFT	Outputs CPU clock frequency shift signal to the CPU clock oscillator (X2, D38).
71	DUSE	Outputs CTCSS/DTCS select signal to the CTCSS/DTCS switch (Q34).
73	UNLK	Input port for PLL unlock detect signal from the PLL IC (IC1, pin 11).
74	RLED	Outputs RX indicator (VR UNIT; DS701) control signal to the LED driver (VR UNIT; Q701).
75	TLED	Outputs TX indicator (VR UNIT; DS701) control signal to the LED driver (VR UNIT; Q701).
78	FSDA	Outputs serial data to the expand IC (FRONT UNIT; IC505, pin 3).
79	FSCL	Outputs serial clock signal to the expand IC (FRONT UNIT; IC505, pin 3).
81	CIRQ	Input port for external connection detect signal from J1 and J2.
88	SIDE1	Input port for [Side1] key (S6). "Low"=When the key is pushed.
89-91	CENC0-2	Output CTCSS/DTCS signals to the LPF (IC17, pin 3).
92	EMPH	Outputs emphasis characteristic change signal to the D/A converter (IC13, pins 9, 10).
93	MTDT	Outputs serial data to the base band IC (IC5, pin 10).
96	MSCK	Outputs serial clock signal to the base band IC (MAIN UNIT; IC5, pin 13).
97	PMFM	Outputs modulation mode switching signal to the PM/FM switch (IC13, pin 11).
98	ESDA	Outputs serial data to the EEPROM (IC19, pin 5).
99	ESCL	Outputs serial clock signal to the EEPROM (IC19, pin 6).
100	RESL	Input port for reset signal from the reset IC (IC8, pin 1).

• D/A CONVERTER (MAIN UNIT; IC6)

Pin No.	Port Name	Description
1	T1	Outputs BPF tuning voltage to the tunable BPF (D23, D24, L31, L32, C120-C122, C125-C127).
2	T2	<ul style="list-style-type: none"> • While receiving Outputs BPF tuning voltage to the tunable BPF (D28, D29, L33, L34, C140-C144, C147). • While transmitting Outputs TX power setting voltage to the APC amplifier (RF UNIT; IC601).
3	TXLVA	Outputs oscillation frequency adjust voltage to the TX VCO (Q3, D10-D12).
4	RXLVA	Outputs oscillation frequency adjust voltage to the RX VCO1/2 (Q1, D1-D4/Q2, D5-D8).

SECTION 6 ADJUSTMENT PROCEDURES

6-1 PREPARATION

When adjusting IC-F6060 series, CS-F6060 CLONING SOFTWARE, CS-F5060 ADJ ADJUSTMENT SOFTWARE (Rev. 1.0 or later), OPC-1122/U/JIG CABLE and the following test equipments are required.

EQUIPMENT	GRADE AND RANGE	EQUIPMENT	GRADE AND RANGE
DC power supply	Output voltage : 13.6 V DC [USA],[EXP] 13.2 V DC [EUR]	Attenuator	Power attenuation : 50 or 60 dB
	Current capacity : More than 20 A		Capacity : 50 W [USA],[EXP] 30 W [EUR]
modulation analyzer	Frequency range : DC–600 MHz	External speaker	Input impedance : 4 Ω
	Measuring range : 0 to ±10 kHz		Capacity : 5 W or more
Frequency counter	Frequency range : 0.1–600 MHz	Standard signal generator (SSG)	Frequency range : 0.1–600 MHz
	Frequency accuracy : ±1 ppm or better		Output level : 0.1 μV to 32 mV (–127 to –17 dBm)
	Sensitivity : 100 mV or better		
RF power meter	Measuring range : 0.1–50 W [USA],[EXP] 0.1–30 W [EUR]	Oscilloscope	Frequency rang : DC–20 MHz
	Frequency range : 100–800 MHz		Measuring range : 0.01–20 V
	Impedance : 50 Ω	Digital voltmeter	Input impedance : 50 kΩ
	SWR : Better than 1.2 : 1		Measuring range : 0.1–10V

■ SYSTEM REQUIREMENTS (for the ADJUSTMENT SOFTWARE)

- Microsoft® Windows® 98/98SE/Me/2000/XP
- RS-232C serial port (D-sub 9 pin) or USB port

■ ADJUSTMENT SOFTWARE INSTALLATION

- ① Quit all applications when Windows is running.
- ② Insert the CD into the appropriate CD drive.
- ③ Double-click the “Setup.exe” contained in the ‘CS-F5060 ADJ’ folder in the CD drive.
- ④ The “Welcome to the InstallShield Wizard for CS-F5060 ADJ” will appear. Click [Next>].
- ⑤ The “Choose Destination Location” will appear. Then click [Next>] to install the software to the destination folder. (e.g. C:\Program Files\lcom\CS-F5060 ADJ)
- ⑥ After the installation is completed, the “InstallShield Wizard Complete” will appear. Then click [Finish].
- ⑦ Eject the CD.
- ⑧ Program group ‘CS-F5060 ADJ’ appears in the ‘Programs’ folder of the start menu, and ‘CS-F5060 ADJ’ icon appears on the desk top screen.

■ STARTING SOFTWARE ADJUSTMENT

- ① Connect the transceiver and PC with OPC-1122/U JIG CABLE.
- ② Turn the transceiver power ON.
- ③ Boot up Windows, and click the program group ‘CS-F5060 ADJ’ in the ‘Programs’ folder of the [Start] menu, then CS-F5060 ADJ’s window appears.
- ④ Click ‘Connect’ on the CS-F5060 ADJ’s window, then the window shows transceiver’s condition and adjustment items as below.
- ⑤ Set or modify adjustment data as specified.

Microsoft and Windows are registered trademarks of Microsoft Corporation in the U.S.A. and other countries.

■ BEFORE STARTING SOFTWARE ADJUSTMENT

Clone the adjustment frequencies and settings into the transceiver, and set the configuration using the CS-F6060 CLONING SOFTWARE before starting the software adjustment. Otherwise, the software adjustment can not be started.

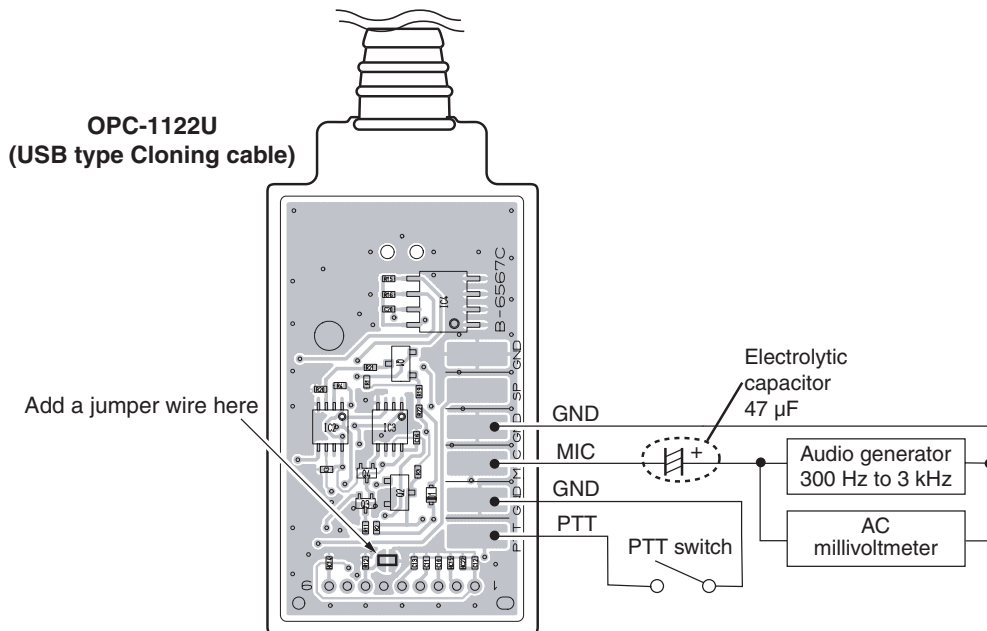
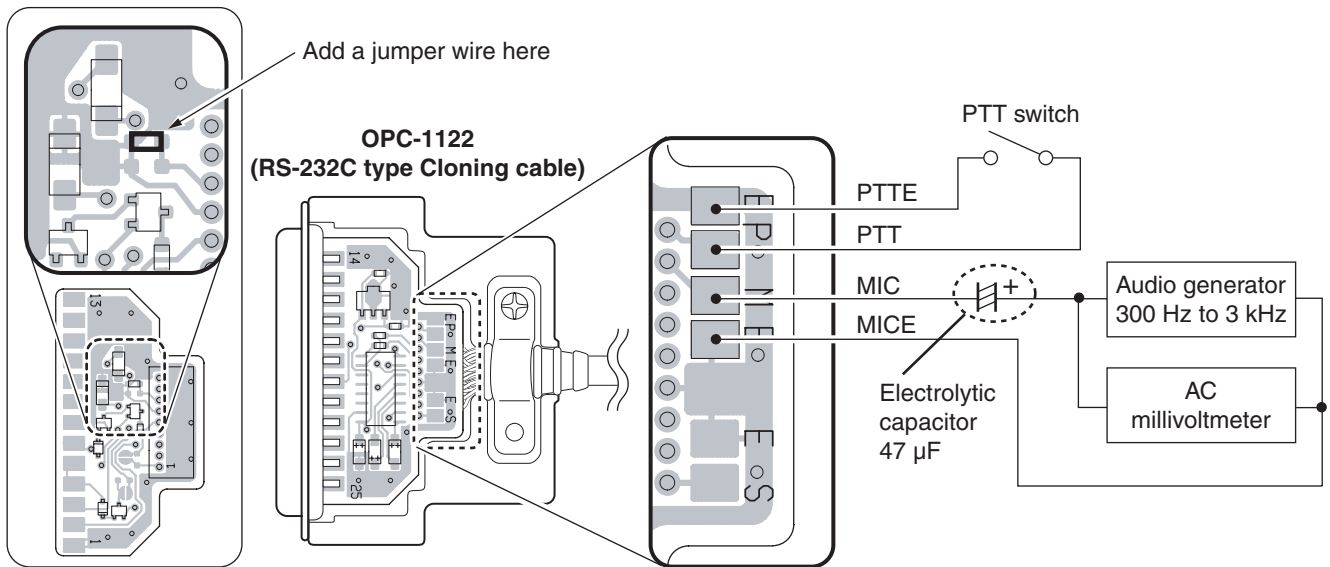
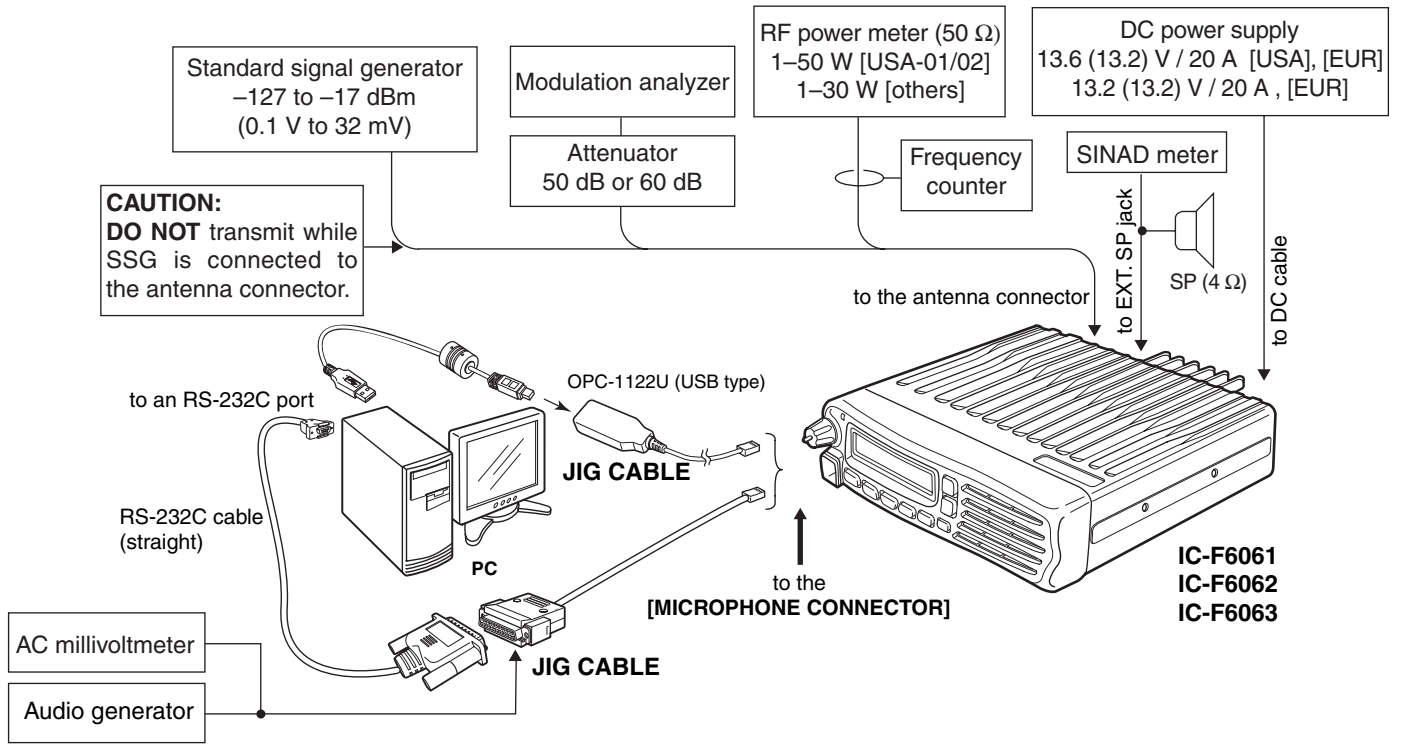
CAUTION!: **BACK UP** the originally programmed memory data in the transceiver before programming the adjustment frequencies. When program the adjustment frequencies into the transceiver, the transceiver’s memory data will be overwritten and lose original memory data at the same time.

• ADJUSTMENT FREQUENCY LIST

CH	FREQUENCY (MHz)		SETTING	CH	FREQUENCY (MHz)		SETTING
	(Low) [‡]	(High) [‡]			(Low) [‡]	(High) [‡]	
1	400.000	450.000	• TX power : Low1 • Mode : Narrow	9	470.000	520.000	• TX power : Low1 • Mode : Wide
2	435.000	485.000	• TX power : Low1 • Mode : Narrow	10	435.000	485.000	• TX power : Low1 • Mode : Middle
3	434.950	484.950	• TX power : Low1 • Mode : Narrow	11	400.000	450.000	• TX power : High • Mode : Middle
4	470.000	520.000	• TX power : Low1 • Mode : Narrow	12	470.000	520.000	• TX power : Low1 • Mode : Middle
5	435.000	485.000	• TX power : High • Mode : Narrow	13	435.000	485.000	• TX power : Low1 • Mode : Digital
6	435.000	485.000	• TX power : Low2 • Mode : Narrow	14	400.000	450.000	• TX power : Low1 • Mode : Digital
7	435.000	485.000	• TX power : Low1 • Mode : Wide	15	470.000	520.000	• TX power : Low1 • Mode : Digital
8	400.000	450.000	• TX power : Low1 • Mode : Wide	16	435.000	485.000	• TX power : Low1 • Mode : Wide • CTCSS : 151.4 Hz

*; [EUR] only ‡; (Low)=[USA-01], [EXP-01], [EUR-01] (High)=[USA-02], [EXP-02]

• CONNECTION



• ADJUSTMENT SOFTWARE WINDOW

Adjust Utility

Setting

CH No. 1 RX=0.00000, TX=0.00000
 RF Power=High, Mode=Wide
 CH Type=Analog

Adjust

Transmit output power	Power (Hi)	0	[_____]	
	Power (L2)	0	[_____]	
	Power (L1)	0	[_____]	
	BAL (Wide)	0	[_____]	
	BAL (Mid)	0	[_____]	
Modulation balance	BAL (Narrow)	0	[_____]	
	BAL (Digital)	0	[_____]	
	MOD (Wide)	0	[_____]	
	MOD (Mid)	0	[_____]	
FM deviation	MOD (Narrow)	0	[_____]	
	MOD (Digital)	0	[_____]	
CTCSS/DTCS deviation	CTCS/DTCS	0	[_____]	
Squelch level	SQL	0	[_____]	
Reference frequency	REF	0	[_____]	
RX sensitivity (Auto.)	BPF C ALL			[Enter] to Sweep
RX sensitivity (Manu.)	BPF T1 C	0	[_____]	[Enter] to Sweep
	BPF T2 C	0	[_____]	[Enter] to Sweep
	BPF L ALL			[Enter] to Sweep
	BPF T1 L	0	[_____]	[Enter] to Sweep
	BPF T2 L	0	[_____]	[Enter] to Sweep
	BPF H ALL			[Enter] to Sweep
	BPF T1 H	0	[_____]	[Enter] to Sweep
	BPF T2 H	0	[_____]	[Enter] to Sweep
PLL lock Voltage (Adjustment)	RX LVA1	0	[_____]	[Enter] to Sweep
	RX LVA2	0	[_____]	[Enter] to Sweep
	TX LVA	0	[_____]	[Enter] to Sweep
PLL lock Voltage (Preset)	LV (RX1)	0	0.00V	
	LV (RX2)	0	0.00V	
	LV (TX)	0	0.00V	
S-meter	RSSI	0	[_____]	[Enter] to Capture
FM deviation (Narrow)	MOD N C	0	[_____]	[Enter] to Capture
	MOD N L	0	[_____]	[Enter] to Capture
	MOD N H	0	[_____]	[Enter] to Capture
FM deviation (Middle)	MOD M C	0	[_____]	[Enter] to Capture
	MOD M L	0	[_____]	[Enter] to Capture
	MOD M H	0	[_____]	[Enter] to Capture
FM deviation (Wide)	MOD W C	0	[_____]	[Enter] to Capture
	MOD W L	0	[_____]	[Enter] to Capture
	MOD W H	0	[_____]	[Enter] to Capture
Digital deviation	MOD D C	0	[_____]	[Enter] to Capture
	MOD D L	0	[_____]	[Enter] to Capture
	MOD D H	0	[_____]	[Enter] to Capture
Digital mode preset	Digital Mode	1		
2/5tone, DTMF	S.Tone	0	[_____]	

*; DO NOT put the cursor on these items and push the [ENTER] key. Otherwise, some adjustment items will not be adjusted properly.

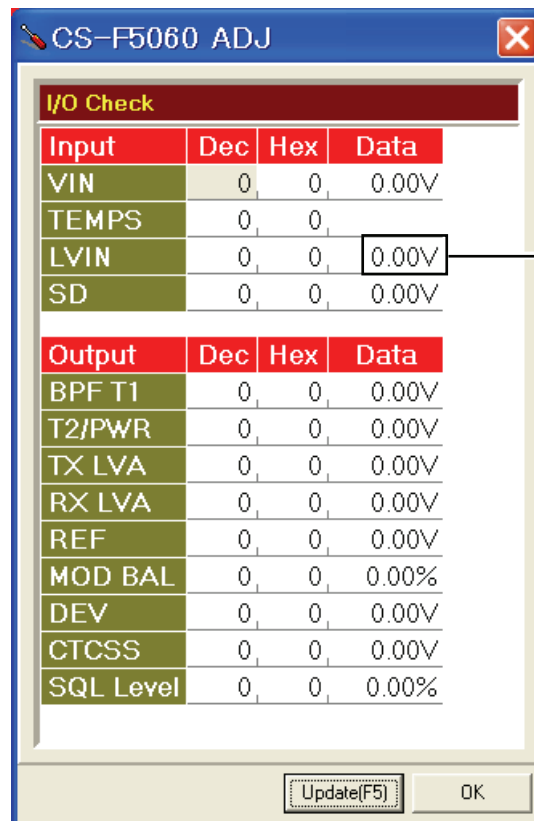
NOTE: The above screen is an example only. Each transceiver has its own specific values for each setting.

6-2 FREQUENCY ADJUSTMENT

Select an adjustment item using [↑] / [↓] keys, then set to the specified value using [←] / [→] keys on the connected PC's keyboard.

ADJUSTMENT	ADJUSTMENT CONDITION	UNIT	OPERATION	VALUE	
PLL LOCK VOLTAGE [RX LVA1]	1	Set the preset value of [LV (RX1)] to "36 [0.70 V] (Low)"/"31 [0.60 V] (High)" and [LV RX2] to "31 [0.60 V]", and [LV TX] to "39 [0.76 V]" on the PC screen.			
	2	<ul style="list-style-type: none"> • Channel : CH 1 • Preset : 36 [0.70 V] (Low) 31 [0.60 V] (High) • Receiving 	PC screen	Click [Reload (F5)] button, then check the "LVIN" item on the CS-F5060 ADJ's screen as below.	0.70 V (Low) 0.60 V (High)
	[RX LVA2]	<ul style="list-style-type: none"> • Channel : CH 2 • Preset : 31 [0.60 V] • Receiving 			0.60 V
	[TX LVA]	<ul style="list-style-type: none"> • Channel : CH 1 • Preset : 39 [0.76 V] • Transmitting 			0.76 V
CONVENIENT: The "PLL LOCK VOLTAGE" can be adjusted automatically. 1: Set the Lock voltage preset ([LV RX1], [LV RX2], [LV TX]). 2: Push the [ENTER] key on the connected PC's keyboard.					
PLL LOCK VOLATGE (Verify)	1	<ul style="list-style-type: none"> • Channel : CH 3 • Receiving 	PC screen	Click [Reload (F5)] button, then check the "LVIN" item on the CS-F5060 ADJ's screen.	3.2–4.2 V (Verify) (Low)
	2	<ul style="list-style-type: none"> • Channel : CH 4 • Receiving 			3.0–4.2 V (Verify) (High)
	3	<ul style="list-style-type: none"> • Channel : CH 4 • Transmitting 			3.4–4.4 V (Verify)
REFERENCE FREQUENCY [REF]	1	<ul style="list-style-type: none"> • Channel : CH 9 • Connect an RF power meter to the antenna connector. • Transmitting 	Top panel	Loosely couple a frequency counter to the antenna connector.	470.000 MHz (Low) [‡] 520.000 MHz (High) [‡]

[‡]; (Low)=[USA-01], [EXP-01], [EUR-01] (High)=[USA-02], [EXP-02]

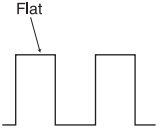


PLL LOCK VOLTAGE will be appeared here

NOTE: The above screen is an example only. Each item's voltage will appear when pushing [Update] button.

6-3 TRANSMIT ADJUSTMENT

Select an adjustment item using [↑] / [↓] keys, then set to the specified value using [←] / [→] keys on the connected PC's keyboard.

ADJUSTMENT	ADJUSTMENT CONDITION	UNIT	OPERATION	VALUE
OUTPUT POWER [Power (Hi)]	1 • Channel : CH 5 • Transmitting	Rear panel	Connect an RF power meter to the antenna connector.	45 W [USA] 25 W [others]
[Power (L2)]	2 • Channel : CH 6 • Transmitting			25 W [USA] 10 W [others]
[Power (L1)]	3 • Channel : CH 2 • Transmitting			4.5 W [USA] 2.5 W [others]
MODULATION BALANCE [BAL]	1 • [MOD N] : 80 2 • Channel : CH 2 • No audio signals applied to the JIG cable. • Set a modulation analyzer same as; HPF : OFF LPF : 20 kHz De-emphasis : OFF Detector : (P-P)/2 • Push [P0] while transmitting	Rear panel	Connect the modulation analyzer with an oscilloscope to the antenna connector through an attenuator.	Set to square wave 
FM DEVIATION (NARROW) [MOD N C]	1 • Channel : CH 2 • Connect an audio generator to the JIG cable and set as; Frequency : 1.0 kHz Level : 40 mV rms • Set the modulation analyzer to the same condition as "MODULATION BALANCE." • Transmitting			Rear panel
(NARROW) [MOD N L]	2 • Channel : CH 1 • Transmitting			
(NARROW) [MOD N H]	3 • Channel : CH 4 • Transmitting			
(WIDE) [MOD W C]	4 • Channel : CH 7 • Transmitting	±4.05 to ±4.15 kHz		
(WIDE) [MOD W L]	5 • Channel : CH 8 • Transmitting			
(WIDE) [MOD W H]	6 • Channel : CH 9 • Transmitting			
(MIDDLE)* [MOD M C]	7 • Channel : CH 10 • Transmitting	±3.15 to ±3.25 kHz		
(MIDDLE)* [MOD M L]	8 • Channel : CH 11 • Transmitting			
(MIDDLE)* [MOD M H]	9 • Channel : CH 12 • Transmitting			
DIGITAL DAVIATION [MOD D C]	1 Set the [Digital Mode] to "7." 2 • Channel : CH 13 • Attach the UT-119H or UT-126H to J2. (See page 4-1 for installation.)	Rear panel	Connect the modulation analyzer to the antenna connector through an attenuator.	±1.35 to ±1.39 kHz
[MOD D L]	3 • Channel : CH 14			
[MOD D H]	4 • Channel : CH 15			
CTCSS/DTCS DEVIATION [CTCS/DTCS]	1 • Channel : CH 16 • No audio signals applied to the JIG cable. • Set the modulation analyzer to the same condition as "MODULATION BALANCE." • Transmitting			
2TONE, 5TONE, DTMF [S.Tone]	1 • Channel : CH 2 • Push [P3] while transmitting	Rear panel	Connect a modulation analyzer to the antenna connector through an attenuator.	±1.50 kHz

*; [EUR] only.

‡; (Low)=[USA-01], [EXP-01], [EUR-01] (High)=[USA-02], [EXP-02]

6-4 RECEIVE ADJUSTMENT

Select an adjustment item using [↑] / [↓] keys, then set to the specified value using [←] / [→] keys on the connected PC's keyboard.

ADJUSTMENT	ADJUSTMENT CONDITION	UNIT	LOCATION	VALUE
RECEIVE SENSITIVITY [BPF (T1)] [BPF (T2)]	NOTE: "RECEIVE SENSITIVITY" must be adjusted before "S-METER." Otherwise, "S-METER" will not be adjusted properly.			
	1 <ul style="list-style-type: none"> • Channel : CH 8 • Connect the SSG to the antenna connector and set as; <ul style="list-style-type: none"> Frequency : 400.00 MHz (Low)[†] : 450.00 MHz (High)[‡] Level : +20 dBμ[†] (-87 dBm) Modulation : 1 kHz Deviation : ±3.5 kHz • Receiving 	[MIC/SP] jack	Connect the SINAD meter with an 4 Ω load to the JIG cable.	Minimum distortion level
	CONVENIENT: The "RECEIVE SENSITIVITY" can be adjusted automatically. 1: Put the cursor on "BPF C ALL" and push [ENTER] key. 2: The connected PC tunes BPF's to peak levels automatically.			
S-METER (S3 level) [RSSI S3 level]	1 <ul style="list-style-type: none"> • Channel : CH 8 • Connect the SSG to the antenna connector and set as; <ul style="list-style-type: none"> Frequency : 400.00 MHz (Low)[†] : 450.00 MHz (High)[‡] Level : +23 dBμ[†] (-84 dBm) Modulation : 1 kHz Deviation : ±3.5 kHz • Receiving 		Push the [ENTER] key on the connected PC's keyboard to set "S3" level.	
[RSSI S1 level] (S1 level)	2 <ul style="list-style-type: none"> • Set the SSG as; <ul style="list-style-type: none"> Level : -7 dBμ[†] (-114 dBm) • Receiving 		Push the [ENTER] key again to set "S1" level.	
SQUELCH [SQL]	1 <ul style="list-style-type: none"> • Channel : CH 3 • Set the Squelch Level "2." • Close the squelch by adjusting the value of [SQL] item on the CS-F6060 ADJ's screen. • Connect the SSG to the antenna connector and set as; <ul style="list-style-type: none"> Frequency : 400.00 MHz (Low)[†] : 450.00 MHz (High)[‡] Level : -14 dBμ[†] (-121 dBm) Modulation : 1 kHz Deviation : ±3.5 kHz • Receiving 	External speaker	Connect an 4 Ω speaker to the JIG cable.	Close the squelch by increase the value of [SQL]. Set the [SQL] to the value that the audio signals just appears.

[†]; The output level of the standard signal generator (SSG) is indicated as the SSG's open circuit.

[‡]; (Low)=[USA-01], [EXP-01], [EUR-01] (High)=[USA-02], [EXP-02]

SECTION 7

PARTS LIST

[FRONT UNIT]

REF NO.	ORDER NO.	DESCRIPTION	M.	H/V LOCATION
IC501	1130009121	S.IC S1D15206F00A200	B	33.1/19.5
IC502	1110005771	S.IC S-80942CNMC-G9CT2G	B	61.4/9.7
IC503	1140010771	S.IC HD64F3687FPV	B	62.1/25.2
IC504	1130007111	S.IC TC7W04FU (TE12L,F)	B	73.9/26.3
IC505	1110005310	S.IC AN6123MS	B	10/8.4
IC506	1110005350	S.IC NJM2870F05-TE1	B	84.9/9.9
IC507	1130006221	S.IC TC4W53FU (TE12L,F)	B	6.5/19
IC508	1130008561	S.IC TC75S51F (TE85L,F)	B	74/11.3
Q501	1590001050	S.TR DTC114TUA T106	B	15.1/32.9
Q502	1590001050	S.TR DTC114TUA T106	B	18/32.9
Q503	1590001330	S.TR DTA114EUA T106	B	77/24.7
Q504	1530002851	S.TR 2SC4116-BL (TE85R,F)	B	91.5/22.4
Q505	1590001050	S.TR DTC114TUA T106	B	92.5/18.8
Q506	1590000680	S.TR DTC114EUA T106	B	77/27.4
Q507	1590001050	S.TR DTC114TUA T106	B	51.4/30.2
D501	1750000370	S.DIO DA221 TL	T	3.5/27.1
D502	1750000370	S.DIO DA221 TL	T	3.5/25
D503	1750000370	S.DIO DA221 TL	T	3.5/22.9
D504	1790001260	S.DIO MA2S077-(TX)	B	50.9/23.1
D505	1790001250	S.DIO MA2S111-(TX)	B	3.3/23.3
D506	1790001250	S.DIO MA2S111-(TX)	B	82.1/21.7
D507	1790001250	S.DIO MA2S111-(TX)	B	79.7/25.8
D508	1790000950	S.ZEN MA8056-M (TX)	T	4.8/19.7
D509	1790000950	S.ZEN MA8056-M (TX)	T	8.6/19.7
D510	1790000950	S.ZEN MA8056-M (TX)	T	10.4/19.7
X501	6050011720	S.XTL CR-764 (19.6608 MHz)	B	49.6/18.9
L501	6200003640	S.COL MLF1608E 100K-T	B	12/19.1
R501	7030003810	S.RES ERJ3GEYJ 125 V (1.2 M)	B	46/28.8
R502	7030003810	S.RES ERJ3GEYJ 125 V (1.2 M)	B	46.6/23.8
R503	7310005130	S.TRI RH03ADCS5X (470 k)	B	45.5/26.3
R504	7030005120	S.RES ERJ2GEJ 102 X (1 k)	B	8/29.3
R505	7030005120	S.RES ERJ2GEJ 102 X (1 k)	B	10/29.3
R506	7030005120	S.RES ERJ2GEJ 102 X (1 k)	B	12/29.3
R507	7030005010	S.RES ERJ2GEJ 681 X (680)	T	14.3/37.2
R508	7030005120	S.RES ERJ2GEJ 102 X (1 k)	T	14.3/36.3
R509	7510001730	S.TMR ERTJOEP 473J	B	59.9/17.1
R510	7030005120	S.RES ERJ2GEJ 102 X (1 k)	B	61.1/17.1
R511	7030005530	S.RES ERJ2GEJ 100 X (10)	B	57.1/19.4
R512	7030008010	S.RES ERJ2GEJ 123 X (12 k)	B	52/22.7
R513	7030005050	S.RES ERJ2GEJ 103 X (10 k)	B	63.8/10.2
R514	7030005160	S.RES ERJ2GEJ 105 X (1 M)	B	56.1/20.7
R515	7030008010	S.RES ERJ2GEJ 123 X (12 k)	B	52.3/23.9
R516	7030008010	S.RES ERJ2GEJ 123 X (12 k)	B	49.5/23.9
R517	7410001140	S.ARY EXB28V104JX	B	66.5/10.8
R518	7410001140	S.ARY EXB28V104JX	B	67.5/19.2
R519	7030005090	S.RES ERJ2GEJ 104 X (100 k)	B	51.5/26.9
R520	7030005090	S.RES ERJ2GEJ 104 X (100 k)	B	71.6/26.8
R522	7030005090	S.RES ERJ2GEJ 104 X (100 k)	T	3.3/17.2
R523	7030004980	S.RES ERJ2GEJ 101 X (100)	B	13.2/10.9
R524	7030005090	S.RES ERJ2GEJ 104 X (100 k)	B	71.6/28.4
R525	7030005240	S.RES ERJ2GEJ 473 X (47 k)	B	80.2/27
R526	7030007300	S.RES ERJ2GEJ 332 X (3.3 k)	B	79/24.4
R528	7030005090	S.RES ERJ2GEJ 104 X (100 k)	B	71.7/24.1
R529	7030005090	S.RES ERJ2GEJ 104 X (100 k)	B	82.1/19.6
R530	7030005160	S.RES ERJ2GEJ 105 X (1 M)	B	5.4/10
R531	7030009280	S.RES ERJ2GEJ 391 X	B	92/20.6
R532	7030005120	S.RES ERJ2GEJ 102 X (1 k)	B	91.4/24.2
R533	7030007290	S.RES ERJ2GEJ 222 X (2.2 k)	B	91.4/25.2
R534	7030009140	S.RES ERJ2GEJ 272 X (2.7 k)	B	90.6/20.2
R535	7030005090	S.RES ERJ2GEJ 104 X (100 k)	B	82.4/31.4
R536	7030005220	S.RES ERJ2GEJ 223 X (22 k)	B	77.8/22.9
R537	7030005090	S.RES ERJ2GEJ 104 X (100 k)	B	7.2/19.2
R538	7030005090	S.RES ERJ2GEJ 104 X (100 k)	T	6.2/19.2
R539	7030010040	S.RES ERJ2GEJ-JPW	B	76/15.9
R540	7030009290	S.RES ERJ2GEJ 562 X (5.6 k)	B	4.3/10.9
R541	7030007290	S.RES ERJ2GEJ 222 X (2.2 k)	B	3.3/16.6
R542	7030009160	S.RES ERJ2GEJ 181 X (180)	B	89.8/24.2
R543	7030009160	S.RES ERJ2GEJ 181 X (180)	B	89.8/25.2
R545	7030005240	S.RES ERJ2GEJ 473 X (47 k)	T	11.8/19.2
R546	7210003050	VAR EVU-F2KFK3 B14 (10KB)		
R547	7030005120	S.RES ERJ2GEJ 102 X (1 k)	T	11.8/17.2
R548	7030005120	S.RES ERJ2GEJ 102 X (1 k)	T	6.8/17.2
R549	7030005120	S.RES ERJ2GEJ 102 X (1 k)	T	9.3/17.2
R550	7030005240	S.RES ERJ2GEJ 473 X (47 k)	B	10.9/19.4
R551	7030007300	S.RES ERJ2GEJ 332 X (3.3 k)	B	11/5.8
R552	7030009280	S.RES ERJ2GEJ 391 X	B	10.1/5.8
R553	7030007290	S.RES ERJ2GEJ 222 X (2.2 k)	B	75.2/8.7
R554	7030007290	S.RES ERJ2GEJ 222 X (2.2 k)	B	71.4/12.4
R555	7030005220	S.RES ERJ2GEJ 223 X (22 k)	B	71.4/11.5
R556	7030005050	S.RES ERJ2GEJ 103 X (10 k)	B	73.2/8.7
R557	7030005050	S.RES ERJ2GEJ 103 X (10 k)	B	71.8/10.2
R558	7030005060	S.RES ERJ2GEJ 333 X (33 k)	B	74/13.5
R559	7030005090	S.RES ERJ2GEJ 104 X (100 k)	B	11/20.8
R560	7030005090	S.RES ERJ2GEJ 104 X (100 k)	T	6.2/20.8
C501	4030016930	S.CER ECJ0EB1A104K	B	41.8/30.2
C502	4030016930	S.CER ECJ0EB1A104K	B	40.9/30.2

[FRONT UNIT]

REF NO.	ORDER NO.	DESCRIPTION	M.	H/V LOCATION
C503	4030016930	S.CER ECJ0EB1A104K	B	42.7/30.2
C504	4030016930	S.CER ECJ0EB1A104K	B	43.6/30.2
C505	4030016930	S.CER ECJ0EB1A104K	B	44.5/30.2
C506	4030017490	S.CER C1608 JB 1A 105K-T	B	44.7/23.2
C507	4030017460	S.CER ECJ0EB1E102K	B	46.1/22.7
C508	4030017490	S.CER C1608 JB 1A 105K-T	B	43.4/23.2
C509	4030017730	S.CER ECJ0EB1E471K	B	13.1/33.3
C510	4030017730	S.CER ECJ0EB1E471K	B	18.6/30.5
C511	4030016790	S.CER ECJ0EB1C103K	B	58.3/17.1
C512	4030016930	S.CER ECJ0EB1A104K	B	62/17.1
C513	4030017030	S.CER ECJ0EB1A273K	B	59.1/10.2
C514	4030016930	S.CER ECJ0EB1A104K	B	58.3/18.3
C515	4030017630	S.CER ECJ0EC1H120J	B	57.1/17.8
C516	4030017580	S.CER ECJ0EC1H060J	B	48.9/22.7
C517	4030016790	S.CER ECJ0EB1C103K	B	52.9/22.7
C518	4030017640	S.CER ECJ0EC1H150J	B	49.8/22.7
C519	4030016930	S.CER ECJ0EB1A104K	B	53.8/22.7
C520	4030017420	S.CER ECJ0EC1H470J	T	12.5/36.3
C521	4030017460	S.CER ECJ0EB1E102K	B	78.8/27.5
C522	4550006480	S.TAN TEESVA 1C 475M8R	B	87.7/9.8
C523	4550006250	S.TAN TEESVA 1A 106M8R	B	12.8/7.6
C524	4550006250	S.TAN TEESVA 1A 106M8R	B	7.2/7.6
C525	4030017330	S.CER ECJ0EF1C104Z	B	85.7/7.7
C526	4030016790	S.CER ECJ0EB1C103K	B	84.1/7.7
C527	4030017420	S.CER ECJ0EC1H470J	T	5.9/17.2
C528	4030017460	S.CER ECJ0EB1E102K	T	8.4/17.2
C529	4550006250	S.TAN TEESVA 1A 106M8R	B	82.1/9.8
C530	4030016930	S.CER ECJ0EB1A104K	B	84.1/12.1
C531	4030017460	S.CER ECJ0EB1E102K	B	79/22.5
C533	4030017460	S.CER ECJ0EB1E102K	B	80/22.5
C534	4030017420	S.CER ECJ0EC1H470J	B	76.2/22.9
C535	4030016930	S.CER ECJ0EB1A104K	B	5.4/9.1
C536	4030016930	S.CER ECJ0EB1A104K	B	3.3/18.2
C537	4030017460	S.CER ECJ0EB1E102K	B	14/25
C538	4030017330	S.CER ECJ0EF1C104Z	B	6/10.9
C539	4030017420	S.CER ECJ0EC1H470J	T	10.9/17.2
C540	4030017460	S.CER ECJ0EB1E102K	B	10.9/17.8
C541	4030017420	S.CER ECJ0EC1H470J	B	8.5/10.9
C543	4030017420	S.CER ECJ0EC1H470J	B	77.6/16.7
C544	4030017420	S.CER ECJ0EC1H470J	B	79.8/16.7
C545	4030017420	S.CER ECJ0EC1H470J	B	77.6/15.8
C546	4030017420	S.CER ECJ0EC1H470J	B	74/15.3
C547	4030017460	S.CER ECJ0EB1E102K	B	74/16.2
C548	4030017490	S.CER C1608 JB 1A 105K-T	B	9.7/19.3
C549	4030016930	S.CER ECJ0EB1A104K	B	3.7/21.2
C550	4030018900	S.CER ECJ0EB0J474K	B	70.1/11.9
C551	4030016930	S.CER ECJ0EB1A104K	B	70.9/10.2
C552	4030017460	S.CER ECJ0EB1E102K	B	75.2/6.9
C553	4030017460	S.CER ECJ0EB1E102K	B	71.4/13.3
C554	4030016790	S.CER ECJ0EB1C103K	B	74.2/8.7
C555	4030018920	S.CER ECJ0EB1H392K	B	74/14.4
C556	4550006480	S.TAN TEESVA 1C 475M8R	B	76.9/10.2
J501	6510022021	S.CNR 14FLT-SM2-TB (LF) (SN)	B	88/28.5
J502	6510023091	S.CNR 20FLT-SM2-TB (LF) (SN)	B	75.5/19.5
J503	6450002210	CNR 3017-8821 <KIN>		
DS501	5030003020	LCD L6-0226TVM-3		
DS502	5040002670	S.LED CL-165HR/YG	T	18.2/35.9
DS503	5040002310	S.LED SML-311YTT86	T	32.8/6.5
DS504	5040002310	S.LED SML-311YTT86	T	46.1/6.3
DS505	5040002310	S.LED SML-311YTT86	T	59.8/6.3
DS506	5040002310	S.LED SML-311YTT86	T	92.3/24.5
DS507	5040002310	S.LED SML-311YTT86	T	73.1/6.5
DS508	5040002310	S.LED SML-311YTT86	T	31.7/26
DS509	5040002310	S.LED SML-311YTT86	T	40.2/26
DS510	5040002310	S.LED SML-311YTT86	T	48.7/26
DS511	5040002310	S.LED SML-311YTT86	T	74.2/26
DS512	5040002310	S.LED SML-311YTT86	T	65.7/26
DS513	5040002310	S.LED SML-311YTT86	T	57.2/26
SP501	2510001400	SP 3050S-E6227 <PRI>		
W501	8900012711	CBL OPC-1297A (P0.5,N20,L62)		
W502	7120000470	JMP ERDS2T0		
W503	7120000470	JMP ERDS2T0		
EP502	8930072220	LCT SRCN-2979-SP-N-W		

[Low]=[USA-01], [EXP-01], [EUR-01], [USA-03], [EXP-03], [EUR-03]
 [High]=[USA-02], [EXP-02], [USA-04], [EXP-04]

M.=Mounted side (T: Mounted on the Top side, B: Mounted on the Bottom side)
 S.=Surface mount

[MAIN UNIT] (For IC-F6060 series)

REF NO.	ORDER NO.	DESCRIPTION	M.	H/V LOCATION
IC1	1110005340	S.IC NJM12902V-TE1	T	82.3/12.9
IC2	1110006221	S.IC AK2346P-E2/P	B	44.7/11.7
IC3	1140013200	S.IC CD4053BPWR	B	58.7/9.3
IC4	1130010100	S.IC LMX2352TMX/NOPB	T	83.3/46
IC5	1110003491	S.IC TA31136FNG (D,EL)	T	28/13.9
IC6	1190001350	S.IC M62364FP 600D	B	84.9/12.9
IC7	1110005340	S.IC NJM12902V-TE1	T	107.3/43
IC8	1140013200	S.IC CD4053BPWR	B	58.7/16.1
IC9	1130012960	S.IC BU8872FS-E2	B	133.1/21.3
IC10	1190002051	S.IC SPM5001-TL-E	B	33.8/36.9
IC12	1190001340	S.IC M62334FP 600C	B	9.1/25.7
IC13	1110005771	S.IC S-80942CNMC-G9CT2G	B	126/44.8
IC14	1140014550	S.IC HD64F2506RFC26DV	B	111.8/35.7
IC15	1150002032	IC RA30H4452M-121 [EXP-02]		
	1150002092	IC RA30H4047M-121 [EXP-01], [EUR-01]		
	1150002211	IC RA55H4047M-121 [USA-01]		
	1150002221	IC RA55H4452M-121 [USA-02]		
IC16	1140012950	S.IC 24LC512T-I/SM	B	133.3/29
IC17	1110002751	S.IC TA75S01F (TE85R,F)	B	55.8/66.7
IC18	1180000970	S.IC AN78L05M-(E1)	B	113/65.3
IC19	1120002510	S.IC DS14C232TM	T	104.7/69
IC20	1180001251	S.IC TA7808F (TE16L,Q)	B	121.5/65.8
IC21	1110003091	IC LA4425A-E		
IC22	1110002751	S.IC TA75S01F (TE85R,F)	B	135.5/54.4
IC23	1130006221	S.IC TC4W53FU (TE12L,F)	B	109.6/12.9
Q1	1590003230	S.TR UNR9113J-(TX)	B	16.5/6.1
Q3	1530002851	S.TR 2SC4116-BL (TE85R,F)	B	36.5/15.5
Q4	1590001650	S.TR XP4601 (TX)	B	92.8/12.4
Q5	1560000541	S.FET 2SK880-Y (T5RICOM,F)	B	81.3/41
Q6	1530002851	S.TR 2SC4116-BL (TE85R,F)	B	50.6/28.4
Q7	1560000541	S.FET 2SK880-Y (T5RICOM,F)	B	82.4/30.6
Q8	1530002851	S.TR 2SC4116-BL (TE85R,F)	B	79.3/37.8
Q9	1530002851	S.TR 2SC4116-BL (TE85R,F)	B	82.1/35.4
Q10	1560001360	S.FET 2SK3019 TL	B	76.5/45.2
Q12	1530002601	S.TR 2SC4215-O (TE85R,F)	T	26.8/19.2
Q13	1530002851	S.TR 2SC4116-BL (TE85R,F)	B	31.8/9.9
Q16	1590003290	S.TR UNR9213J-(TX)	T	113.1/46.6
Q17	1530002920	S.TR 2SC4226-T1 R25	T	60.7/41.9
Q18	1530002920	S.TR 2SC4226-T1 R25	T	60.7/35.4
Q19	1530002920	S.TR 2SC4226-T1 R25	T	60.7/28.9
Q20	1590003230	S.TR UNR9113J-(TX)	B	34.1/24.9
Q22	1530003311	S.TR 2SC5107-O (TE85R,F)	T	56.7/33.6
Q23	1590001400	S.TR XP1214 (TX)	B	57.6/40.5
Q24	1590003290	S.TR UNR9213J-(TX)	B	55/40.5
Q25	1530003980	S.TR 2SC5700WB-TR-E	T	55.2/36.9
Q26	1590001400	S.TR XP1214 (TX)	B	56.6/33.5
Q27	1590003230	S.TR UNR9113J-(TX)	T	126.2/48.7
Q28	1590003290	S.TR UNR9213J-(TX)	B	123/46.1
Q29	1530003311	S.TR 2SC5107-O (TE85R,F)	T	50.8/35.5
Q30	1530003311	S.TR 2SC5107-O (TE85R,F)	B	64.3/62.9
Q31	1580000731	S.FET 3SK293 (TE85L,F)	B	9.5/38.8
Q32	1560000841	S.FET 2SK1829 (TE85R,F)	T	9.8/40.4
Q33	1530002851	S.TR 2SC4116-BL (TE85R,F) [USA-01], [USA-02] only	B	47.3/66.2
Q34	1590003290	S.TR UNR9213J-(TX)	T	83/67.4
Q35	1520000460	S.TR 2SB1132 T100 R	T	100.1/57.9
Q36	1590001190	S.TR XP6501-(TX).AB	T	104.3/55.8
Q37	1540000550	S.TR 2SD1664 T100Q	T	75.5/63.6
Q38	1510000920	S.TR 2SA1577 T106 Q	T	64.9/54.1
Q39	1590003290	S.TR UNR9213J-(TX)	T	68.5/54.8
Q40	1590003290	S.TR UNR9213J-(TX)	T	103/52.9
Q41	1590001451	S.FET 2SJ144-GR (TE85R,F)	B	114.7/85.7
Q42	1590003290	S.TR UNR9213J-(TX)	B	131.7/43.6
Q43	1590000990	S.TR DTC363EK T146	B	135.7/49
Q44	1590003290	S.TR UNR9213J-(TX)	T	108.9/20.3
Q45	1590003290	S.TR UNR9213J-(TX)	B	133.3/58.9
Q46	1590003290	S.TR UNR9213J-(TX)	T	119.2/85.6
Q47	1550000100	S.FET 2SJ377 (TE16L1,NQ)	B	131.3/71.5
Q48	1590003290	S.TR UNR9213J-(TX)	B	124.9/77.8
Q49	1530002851	S.TR 2SC4116-BL (TE85R,F)	B	138.7/37.1
Q50	1530002601	S.TR 2SC4215-O (TE85R,F)	T	40.2/39
Q51	1590003321	S.FET TPC6103 (TE85L,F)	B	133.6/63.4
Q52	1590003290	S.TR UNR9213J-(TX)	B	128.2/61.1
Q53	1530000372	S.TR 2SC3356-T1B R (R24)	B	68.4/68
Q54	1590003290	S.TR UNR9213J-(TX)	B	51.9/67.1
Q55	1560001360	S.FET 2SK3019 TL	T	74.1/20.3
Q56	1560001360	S.FET 2SK3019 TL	T	24.6/8
Q57	1590003290	S.TR UNR9213J-(TX)	T	111.1/13.4
D1	1750001070	S.DIO DAN235ETL	T	8.8/14.9
D2	1750001070	S.DIO DAN235ETL	T	22.5/8.5
D4	1790001260	S.DIO MA2S077-(TX)	T	52.5/43.6
D5	1790001260	S.DIO MA2S077-(TX)	T	52.5/41
D6	1750001070	S.DIO DAN235ETL	T	29.2/20.9
D7	1160000140	S.DIO DAP222 TL	T	59/13.8
D8	1750000711	S.VCP HVC350BTRF-E	T	68.2/42.7
D9	1750001150	S.VCP HVC383BTRF-E	T	70.5/44.7
D10	1750000711	S.VCP HVC350BTRF-E	T	68.2/36.2
D11	1750001150	S.VCP HVC383BTRF-E	T	70.5/38.2
D12	1750000711	S.VCP HVC350BTRF-E	T	68.2/29.7
D13	1750001150	S.VCP HVC383BTRF-E	T	70.5/31.7
D14	1720000570	S.VCP MA368 (TX)	T	65.8/33.3
D15	1750000711	S.VCP HVC350BTRF-E	B	5.5/43.5
D16	1750000711	S.VCP HVC350BTRF-E	B	6.8/43.5
D17	1750000711	S.VCP HVC350BTRF-E	B	6.8/50.1
D18	1750000711	S.VCP HVC350BTRF-E	B	5.5/50.1
D19	1160000140	S.DIO DAP222 TL	B	120.3/17.6
D21	1750001070	S.DIO DAN235ETL	T	31.9/37.5
D22	1750000520	S.DIO DAN222TL	T	125.4/51
D23	1790001260	S.DIO MA2S077-(TX)	T	125/38.9

[Low]=[USA-01], [EXP-01], [EUR-01], [USA-03], [EXP-03], [EUR-03]
 [High]=[USA-02], [EXP-02], [USA-04], [EXP-04]

[MAIN UNIT] (For IC-F6060 series)

REF NO.	ORDER NO.	DESCRIPTION	M.	H/V LOCATION
D24	1750000581	S.DIO 1SV307 (TPH3,F)	B	50.8/47.1
D25	1790001260	S.DIO MA2S077-(TX)	B	48.3/46
D26	1750000711	S.VCP HVC350BTRF-E	B	14.1/31.6
D27	1750000711	S.VCP HVC350BTRF-E	B	10.7/36.1
D30	1750000711	S.VCP HVC350BTRF-E	B	18.3/36.2
D31	1790001250	S.DIO MA2S111-(TX)	T	6.2/42.2
D35	1790001260	S.DIO MA2S077-(TX)	B	20/50.9
D36	1790001240	S.DIO MA2S728-(TX)	B	11.9/50.8
D37	1750000370	S.DIO DA221 TL	T	75.2/68
D38	1750000511	S.DIO UX9401F-STD/TR [EXP-01], [EUR-01], [EXP-02] only	T	31.2/66.7
D39	1710001061	DIO L407CDB [USA-01], [USA-02] only		
D42	1750001360	S.DIO L709CER (9401)	T	26.5/58
D45	1750000520	S.DIO DAN222TL	T	91.8/57.5
D46	1750000520	S.DIO DAN222TL	T	89.6/57.5
D47	1790001211	S.DIO 1SS375-TL-E	B	37.7/61.7
D48	1750000520	S.DIO DAN222TL	B	95.5/55.5
D49	1790000660	S.DIO MA728 (TX)	B	8.9/57.1
D50	1750000370	S.DIO DA221 TL	B	98.8/66.5
D51	1790000660	S.DIO MA728 (TX)	B	5.2/79.3
D52	1750000520	S.DIO DAN222TL	B	132.6/40.8
D53	1790001250	S.DIO MA2S111-(TX)	B	133.3/47.3
D55	1750000370	S.DIO DA221 TL	B	98.8/63
D56	1750000370	S.DIO DA221 TL	B	96.7/63
D57	1750000370	S.DIO DA221 TL	B	96.7/66.5
D58	1750000520	S.DIO DAN222TL	B	101.2/83.1
D59	1750000520	S.DIO DAN222TL	B	101.2/81
D62	1790000700	DIO DSA3A1		
D63	1750000520	S.DIO DAN222TL	B	112.3/82.2
D65	1750000520	S.DIO DAN222TL	B	129.7/58.9
D66	1790001621	S.DIO 1SV308 (TPL3,F)	T	29.5/36.7
D67	1790001621	S.DIO 1SV308 (TPL3,F)	T	34.3/36.7
D68	1790001621	S.DIO 1SV308 (TPL3,F)	T	28.7/23.3
D69	1790001621	S.DIO 1SV308 (TPL3,F)	T	30/23.3
D70	1730002410	S.ZEN MA8200-H (TX)	T	120/83.6
D71	1750000520	S.DIO DAN222TL	B	94.6/62.3
D72	1750000520	S.DIO DAN222TL	B	94.8/59.1
F11	2020002500	CER LT450GW		
F12	2020002510	CER LTW450HT		
F13	2030000500	S.MLH FL-401 (46.35 MHz)	T	24.7/28.5
F14	2030000150	S.MLH FL-335 (46.350 MHz)	T	35.6/28.4
F15	2040001440	S.LC NFE31PT152Z1E9L	B	94.5/77
F16	2040001440	S.LC NFE31PT152Z1E9L	B	94.5/73.7
F17	2040001440	S.LC NFE31PT152Z1E9L	B	94.5/70.4
X1	6050012380	S.XTL CR-826 (15.3 MHz)	T	86.1/34.6
X2	6050011730	S.XTL CR-765 (3.6864 MHz)	T	48.6/12
X3	6070000300	S.DCR JTBM450CX24 <JJE>	T	37.1/10.3
X4	6050012320	S.XTL CR-818 (4.194304 MHz)	T	139.1/21.9
X5	6050011720	S.XTL CR-764 (19.6608 MHz)	T	120.4/44.4
L1	6200004660	S.COL MLF1608A 1R8K-T	B	80.7/52.1
L2	6200003540	S.COL MLF1608D R22K-T	B	34.4/14.7
L3	6200004480	S.COL MLF1608D R82K-T	B	29.6/16.2
L4	6200005671	S.COL ELJRE 12NGFA	T	54.4/43.9
L5	6200004741	S.COL NLV25T-1R2J	T	72.9/43.5
L6	6200004741	S.COL NLV25T-1R2J	T	70.4/41
L7	6200004741	S.COL NLV25T-1R2J	T	72.9/37
L8	6200004741	S.COL NLV25T-1R2J	T	72.9/30.5
L9	6200004741	S.COL NLV25T-1R2J	T	70.4/28
L10	6200012970	S.COL 0.30-0.91-4TR 8.6N [Low] only	T	67.1/44.7
L12	6200012970	S.COL 0.30-0.91-4TR 8.6N [Low] only	T	67.1/38.2
L13	6200004741	S.COL NLV25T-1R2J	T	70.4/34.5
L15	6200012390	S.COL 0.30-0.92-3TR 5.8N	T	67.1/31.4
L16	6200010020	S.COL C2012C-12NG-A [High]	B	21.1/35.6
	6200010030	S.COL C2012C-15NG-A [Low]	B	21.1/35.6
L17	6200002851	S.COL NLV25T-R82J [High]	T	57.7/30
	6200004741	S.COL NLV25T-1R2J [Low]	T	57.7/30
L18	6130003000	S.COL #617DB-1714=P3	B	39/36.2
L19	6130003000	S.COL #617DB-1714=P3	B	34.5/42.6
L20	6200005721	S.COL ELJRE 33NGFA	T	54.2/32.6
L21	6200005671	S.COL ELJRE 12NGFA	T	54.4/39.1
L22	6200005691	S.COL ELJRE 18NGFA [High]	B	40.2/46
	6200005711	S.COL ELJRE 27NGFA [Low]	B	40.2/46
	6200005691	S.COL ELJRE 18NGFA [High]	B	42.9/46
	6200005711	S.COL ELJRE 27NGFA [Low]	B	42.9/46
L24	6130003000	S.COL #617DB-1714=P3	B	27/36.2
L25	6200005711	S.COL ELJRE 27NGFA	T	50/38.4
L26	6200010020	S.COL C2012C-12NG-A [High]	B	15.9/35.6
	6200010030	S.COL C2012C-15NG-A [Low]	B	15.9/35.6
L27	6200005711	S.COL ELJRE 27NGFA	B	65.2/65.4
L28	6200010020	S.COL C2012C-12NG-A [High]	B	7/36.7
	6200010030	S.COL C2012C-15NG-A [Low]	B	7/36.7
L29	6200005641	S.COL ELJRE 6N8ZFA	B	73.5/69
L30	6200005691	S.COL ELJRE 18NGFA	T	73.5/73.7
L31	6200009980	S.COL C2012C-18NG-A [High]	B	9.2/44.8
	6200010210	S.COL C2012C-22NG-A [Low]	B	9.2/44.8
L32	6200009980	S.COL C2012C-18NG-A [High]	B	9.2/48.8
	6200010210	S.COL C2012C-22NG-A [Low]	B	9.2/48.8
L33	6200010150	S.COL AS080340-15N	T	32.6/75.2
L34	6200010100	S.COL C2012C-33NG-A	B	13.7/50
L35	6200005691	S.COL ELJRE 18NGFA [Low]	B	23/50.7
	6200006771	S.COL ELJRE 1N5ZFA [High]	B	23/50.7
L36	6200010420	S.COL FHW1210HC 1R0JGT	B	31.2/68
L37	6200010150	S.COL AS080340-15N	T	30.3/58.1
L38	6200010150	S.COL AS080340-15N	T	22.2/58.3
L39	6200010150	S.COL AS080340-15N	T	14.3/60.3
L40	6200010150	S.COL AS080340-15N	T	10.3/82.4
L41	6200002861	S.COL NLV25T-4R7J	T	

[MAIN UNIT] (For IC-F6060 series)

REF NO.	ORDER NO.	DESCRIPTION	M.	H/V LOCATION
L42	6200005011	S.COL NLV25T-100J	T	40.1/41.6
L43	6200010680	S.COL C2520C-R22G-A (0.22U)	T	41.2/35.1
L44	6200010740	S.COL C2520C-R27G-A	T	35.9/39.5
L45	6200010150	S.COL AS080340-15N	T	6.4/58.3
L46	6200005711	S.COL ELJRE 27NGFA	B	71.1/68.8
L47	6200012390	S.COL 0.30-0.92-3TR 5.8N [High] only	T	65.1/44.7
L48	6200012390	S.COL 0.30-0.92-3TR 5.8N [High] only	T	65.1/38.2
R1	7030005060	S.RES ERJ2GEJ 333 X (33 k)	B	38.6/6
R2	7510001730	S.TMR ERTJOEP 473J	T	89.3/32.2
R3	7030005050	S.RES ERJ2GEJ 103 X (10 k)	T	78.5/11.6
R4	7030005230	S.RES ERJ2GEJ 334 X (330 k)	B	88.8/18.5
R5	7030005090	S.RES ERJ2GEJ 104 X (100 k)	T	89.8/33.5
R6	7030005700	S.RES ERJ2GEJ 274 X (270 k)	T	87.7/19.4
R7	7030005230	S.RES ERJ2GEJ 334 X (330 k)	T	84.3/17.5
R8	7410001130	S.ARY EXB28V102JX	T	86.9/52.4
R9	7030007570	S.RES ERJ2GEJ 122 X (1.2 k)	B	35.4/11.4
R10	7030007060	S.RES ERJ2GEJ 684X (680 k)	B	35.8/13.7
R11	7030010040	S.RES ERJ2GEJ-JPW	T	9.3/12.9
R12	7030004970	S.RES ERJ2GEJ 470 X (47)	T	34.1/6.4
R13	7030007340	S.RES ERJ2GEJ 153 X (15 k)	T	8.9/16.5
R14	7030007340	S.RES ERJ2GEJ 153 X (15 k)	T	9.3/9.3
R15	7030005070	S.RES ERJ2GEJ 683 X (68 k)	B	93.3/14.4
R17	7030007570	S.RES ERJ2GEJ 122 X (1.2 k)	B	93.3/15.3
R18	7030008300	S.RES ERJ2GEJ 184 X (180 k)	B	81.5/7.3
R19	7030005230	S.RES ERJ2GEJ 334 X (330 k)	T	86.3/9.9
R20	7030005090	S.RES ERJ2GEJ 104 X (100 k)	T	77.9/8.2
R21	7030005070	S.RES ERJ2GEJ 683 X (68 k)	T	88.5/8.9
R22	7030005050	S.RES ERJ2GEJ 103 X (10 k)	B	38.6/7.7
R23	7030005050	S.RES ERJ2GEJ 103 X (10 k)	B	38.6/9.4
R24	7030005060	S.RES ERJ2GEJ 333 X (33 k)	B	37.7/10.7
R25	7030005120	S.RES ERJ2GEJ 102 X (1 k)	B	101/51.6
R26	7030005000	S.RES ERJ2GEJ 471 X (470)	B	96.7/5.7
R27	7030007300	S.RES ERJ2GEJ 332 X (3.3 k)	T	53.9/5.6
R28	7030010040	S.RES ERJ2GEJ-JPW	T	59.6/5.4
R29	7030005000	S.RES ERJ2GEJ 471 X (470)	T	114.5/10.2
R30	7030005170	S.RES ERJ2GEJ 474 X (470 k)	B	37.7/9.4
R31	7030007340	S.RES ERJ2GEJ 153 X (15 k)	B	36.8/9.9
R32	7030005720	S.RES ERJ2GEJ 563 X (56 k)	B	37.7/7.7
R33	7030005160	S.RES ERJ2GEJ 105 X (1 M)	T	81/8.4
R34	7030005040	S.RES ERJ2GEJ 472 X (4.7 k)	T	79/10
R35	7030005120	S.RES ERJ2GEJ 102 X (1 k)	T	81.5/7.2
R36	7030007270	S.RES ERJ2GEJ 151 X (150)	B	25.8/14.4
R37	7030005210	S.RES ERJ2GEJ 822 X (8.2 k)	B	15/7.3
R38	7030007340	S.RES ERJ2GEJ 153 X (15 k)	T	23.1/6.2
R39	7030007340	S.RES ERJ2GEJ 153 X (15 k)	T	22.8/10.2
R40	7030005240	S.RES ERJ2GEJ 473 X (47 k)	T	25.9/10.6
R41	7030007290	S.RES ERJ2GEJ 222 X (2.2 k)	T	26.4/5.3
R42	7030005090	S.RES ERJ2GEJ 104 X (100 k)	B	94.7/11.7
R43	7030007300	S.RES ERJ2GEJ 332 X (3.3 k)	B	95.2/10.4
R44	7030007340	S.RES ERJ2GEJ 153 X (15 k)	B	90.8/12.9
R45	7030005220	S.RES ERJ2GEJ 223 X (2.2 k)	B	91.9/10
R46	7030005040	S.RES ERJ2GEJ 472 X (4.7 k)	T	90.5/13.7
R47	7030005050	S.RES ERJ2GEJ 103 X (10 k)	T	90.9/12.7
R48	7030005060	S.RES ERJ2GEJ 333 X (33 k)	B	51.1/8.1
R49	7030005160	S.RES ERJ2GEJ 105 X (1 M)	B	49.9/13.6
R50	7030005090	S.RES ERJ2GEJ 104 X (100 k)	B	49.9/11
R51	7030005290	S.RES ERJ2GEJ 682 X (6.8 k)	T	52.6/8.6
R52	7030007340	S.RES ERJ2GEJ 153 X (15 k)	B	63.3/12.6
R53	7030005000	S.RES ERJ2GEJ 471 X (470)	T	84.4/38.2
R54	7030005120	S.RES ERJ2GEJ 102 X (1 k)	B	81.3/43.4
R55	7030007290	S.RES ERJ2GEJ 222 X (2.2 k)	B	83.5/26.5
R56	7030004980	S.RES ERJ2GEJ 101 X (100)	B	81.6/39.1
R57	7030005090	S.RES ERJ2GEJ 104 X (100 k)	B	28/14.3
R58	7030004980	S.RES ERJ2GEJ 101 X (100)	T	26.4/8.1
R59	7030005240	S.RES ERJ2GEJ 473 X (47 k)	T	26.8/7.2
R60	7030005000	S.RES ERJ2GEJ 471 X (470)	T	31/10.3
R61	7030005040	S.RES ERJ2GEJ 472 X (4.7 k)	T	27.7/8.4
R62	7030005040	S.RES ERJ2GEJ 472 X (4.7 k)	B	32.7/12.5
R63	7030005220	S.RES ERJ2GEJ 223 X (22 k)	B	91.9/8.3
R64	7030005220	S.RES ERJ2GEJ 223 X (22 k)	B	91.9/6.6
R65	7030005090	S.RES ERJ2GEJ 104 X (100 k)	B	51.1/9
R67	7030005290	S.RES ERJ2GEJ 682 X (6.8 k)	T	53.5/8.6
R68	7030007290	S.RES ERJ2GEJ 222 X (2.2 k)	B	53.7/17.7
R69	7030010040	S.RES ERJ2GEJ-JPW	T	85.6/16.8
R71	7030005090	S.RES ERJ2GEJ 104 X (100 k)	T	54.5/8.6
R72	7030007290	S.RES ERJ2GEJ 222 X (2.2 k)	B	50.9/30.2
R73	7030004980	S.RES ERJ2GEJ 101 X (100)	B	80.3/29.7
R74	7030007570	S.RES ERJ2GEJ 122 X (1.2 k)	B	83.1/27.8
R75	7030005290	S.RES ERJ2GEJ 682 X (6.8 k)	B	82.6/42.4
R76	7030005050	S.RES ERJ2GEJ 103 X (10 k)	B	82.4/33
R77	7030005580	S.RES ERJ2GEJ 560 X (56)	B	83.2/48
R78	7030005220	S.RES ERJ2GEJ 223 X (22 k)	B	81.6/37.3
R79	7030007340	S.RES ERJ2GEJ 153 X (15 k)	T	51.1/42.8
R80	7030007340	S.RES ERJ2GEJ 153 X (15 k)	T	51.1/41.8
R81	7030005090	S.RES ERJ2GEJ 104 X (100 k)	B	74.9/45.2
R82	7030005110	S.RES ERJ2GEJ 224 X (220 k)	B	71.7/27.3
R83	7030008400	S.RES ERJ2GEJ 182 X (1.8 k)	T	32.6/9.3
R84	7030007280	S.RES ERJ2GEJ 331 X (330)	T	24.6/18.3
R85	7030005110	S.RES ERJ2GEJ 224 X (220 k)	T	24.2/19.3
R86	7030007300	S.RES ERJ2GEJ 332 X (3.3 k)	B	33.4/8.1
R87	7030007300	S.RES ERJ2GEJ 332 X (3.3 k)	T	30.5/19.3
R88	7030005120	S.RES ERJ2GEJ 102 X (1 k)	B	90.7/6.6
R90	7030005000	S.RES ERJ2GEJ 471 X (470)	B	89.8/18.5
R91	7030005230	S.RES ERJ2GEJ 334 X (330 k)	T	86.4/12.8
R93	7030005310	S.RES ERJ2GEJ 124 X (120 k)	T	83.9/8.4
R94	7030005080	S.RES ERJ2GEJ 823 X (82 k)	T	106.7/36.7
R95	7030005720	S.RES ERJ2GEJ 563 X (56 k)	T	106.3/57.2
R96	7030005240	S.RES ERJ2GEJ 473 X (47 k)	B	63.7/15.1
R97	7030005060	S.RES ERJ2GEJ 333 X (33 k)	B	52.2/12.7
R98	7030005040	S.RES ERJ2GEJ 472 X (4.7 k)	B	63.7/18.9
R99	7030005240	S.RES ERJ2GEJ 473 X (47 k)	B	63.7/18

[Low]=[USA-01], [EXP-01], [EUR-01], [USA-03], [EXP-03], [EUR-03]
 [High]=[USA-02], [EXP-02], [USA-04], [EXP-04]

[MAIN UNIT] (For IC-F6060 series)

REF NO.	ORDER NO.	DESCRIPTION	M.	H/V LOCATION
R100	7030005120	S.RES ERJ2GEJ 102 X (1 k)	B	84.4/32.4
R101	7030007280	S.RES ERJ2GEJ 331 X (330)	B	80.1/32.9
R102	7030005530	S.RES ERJ2GEJ 100 X (10)	T	22.5/19.3
R103	7030005600	S.RES ERJ2GEJ 273 X (27 k)	T	28.7/25.5
R104	7030007280	S.RES ERJ2GEJ 331 X (330)	T	25/22.5
R105	7030005600	S.RES ERJ2GEJ 273 X (27 k)	B	32.4/24.2
R106	7030007270	S.RES ERJ2GEJ 151 X (150)	T	33.9/22.5
R108	7030005240	S.RES ERJ2GEJ 473 X (47 k)	B	81.9/18.9
R109	7030005700	S.RES ERJ2GEJ 274 X (270 k)	B	81/18.9
R110	7030005050	S.RES ERJ2GEJ 103 X (10 k)	T	78.4/20.8
R111	7030005050	S.RES ERJ2GEJ 103 X (10 k)	T	96.2/28.5
R112	7030005700	S.RES ERJ2GEJ 274 X (270 k)	T	81.7/20.2
R113	7030005240	S.RES ERJ2GEJ 473 X (47 k)	B	54.7/19.5
R114	7030005090	S.RES ERJ2GEJ 104 X (100 k)	B	57.1/13.4
R115	7030005090	S.RES ERJ2GEJ 104 X (100 k)	T	113.7/17.8
R116	7030005090	S.RES ERJ2GEJ 104 X (100 k)	B	78.4/15.4
R117	7030005050	S.RES ERJ2GEJ 103 X (10 k)	B	81.6/38.2
R118	7030005230	S.RES ERJ2GEJ 334 X (330 k)	[High]	88.5/9.9
R118	7030005700	S.RES ERJ2GEJ 274 X (270 k)	[Low]	88.5/9.9
R120	7030007280	S.RES ERJ2GEJ 331 X (330)	T	26.5/34.4
R122	7030005600	S.RES ERJ2GEJ 273 X (27 k)	T	28.8/35.2
R123	7030005600	S.RES ERJ2GEJ 273 X (27 k)	T	34.1/35.2
R125	7030007270	S.RES ERJ2GEJ 151 X (150)	T	36.4/34.4
R127	7030005050	S.RES ERJ2GEJ 103 X (10 k)	B	78.2/18.4
R128	7030005240	S.RES ERJ2GEJ 473 X (47 k)	T	111.5/45.4
R129	7030005040	S.RES ERJ2GEJ 472 X (4.7 k)	T	111.1/44.5
R130	7030005070	S.RES ERJ2GEJ 683 X (68 k)	T	103.5/41.8
R131	7030005070	S.RES ERJ2GEJ 683 X (68 k)	T	103.5/43.6
R132	7030004980	S.RES ERJ2GEJ 101 X (100)	T	113.8/16.5
R133	7030005090	S.RES ERJ2GEJ 104 X (100 k)	T	109.6/11.8
R134	7030005160	S.RES ERJ2GEJ 105 X (1 M)	T	129.8/25.5
R135	7030005160	S.RES ERJ2GEJ 105 X (1 M)	T	129.8/24.2
R136	7030005160	S.RES ERJ2GEJ 105 X (1 M)	T	129.8/22.9
R138	7030005530	S.RES ERJ2GEJ 100 X (10)	T	63.8/31.3
R139	7410001140	S.ARY EXB28V104JX	T	133.8/19.8
R140	7030006020	S.RES RR0510P-682-D (6.8 k)	T	62.9/44.3
R141	7030006020	S.RES RR0510P-682-D (6.8 k)	T	62.9/42.6
R142	7030010040	S.RES ERJ2GEJ-JPW	T	61.6/43.9
R143	7030006020	S.RES RR0510P-682-D (6.8 k)	T	62.9/37.8
R144	7030006020	S.RES RR0510P-682-D (6.8 k)	T	62.9/36.1
R145	7030010040	S.RES ERJ2GEJ-JPW	T	61.6/37.4
R146	7030006020	S.RES RR0510P-682-D (6.8 k)	T	62.9/31.3
R147	7030006020	S.RES RR0510P-682-D (6.8 k)	T	62.9/29.6
R148	7030009320	S.RES ERJ2GEJ 474 X (4.7 k)	T	61.6/30.9
R149	7030005110	S.RES ERJ2GEJ 227 X (220 k)	B	65.1/32.6
R150	7030008290	S.RES ERJ2GEJ 183 X (18 k)	B	79.2/28.2
R151	7030005220	S.RES ERJ2GEJ 223 X (22 k)	B	80.5/27.8
R151	7030008290	S.RES ERJ2GEJ 183 X (18 k)	B	80.5/27.8
R152	7030005090	S.RES ERJ2GEJ 104 X (100 k)	B	81.8/28.2
R153	7030007300	S.RES ERJ2GEJ 332 X (3.3 k)	T	36.4/42.1
R154	7030004970	S.RES ERJ2GEJ 470 X (47)	T	42.9/40
R155	7030007290	S.RES ERJ2GEJ 222 X (2.2 k)	T	39.9/33
R156	7030004970	S.RES ERJ2GEJ 472 X (4.7 k)	T	42.3/41.2
R157	7030005090	S.RES ERJ2GEJ 104 X (100 k)	B	30.1/24.9
R158	7030005240	S.RES ERJ2GEJ 473 X (47 k)	T	111.1/42.7
R159	7030005240	S.RES ERJ2GEJ 473 X (47 k)	T	111.5/40.9
R160	7030005240	S.RES ERJ2GEJ 473 X (47 k)	T	113.7/39.9
R161	7030005070	S.RES ERJ2GEJ 683 X (68 k)	T	105.4/48.4
R162	7030005240	S.RES ERJ2GEJ 473 X (47 k)	T	127.8/16.3
R163	7030005240	S.RES ERJ2GEJ 473 X (47 k)	T	128.7/17.2
R164	7030005240	S.RES ERJ2GEJ 473 X (47 k)	T	129.6/16.3
R165	7030005230	S.RES ERJ2GEJ 334 X (330 k)	T	129.8/21.6
R166	7030005230	S.RES ERJ2GEJ 334 X (330 k)	T	129.8/20.3
R167	7030005230	S.RES ERJ2GEJ 334 X (330 k)	T	129.8/19
R168	7030011180	S.RES RR0510P-391-D (390)	B	60/42.5
R169	7030011180	S.RES RR0510P-391-D (390)	B	60/38.6
R170	7030009820	S.RES RR0510P-681-D (680)	B	55.7/31.5
R171	7030005310	S.RES ERJ2GEJ 124 X (120 k)	T	57/31.8
R172	7030008280	S.RES ERJ2GEJ 271 X (270)	B	37.5/44.6
R173	7030007270	S.RES ERJ2GEJ 151 X (150)	B	40/32.8
R176	7030005590	S.RES ERJ2GEJ 680 X (68)	B	31.3/37.4
R177	7030005590	S.RES ERJ2GEJ 680 X (68)	B	31.3/35
R178	7030005240	S.RES ERJ2GEJ 473 X (47 k)	T	113.7/38.9
R179	7030008300	S.RES ERJ2GEJ 184 X (180 k)	T	117.1/34.6
R180	7030005720	S.RES ERJ2GEJ 563 X (56 k)	T	117.5/35.6
R181	7030005220	S.RES ERJ2GEJ 223 X (22 k)	T	117.1/36.6
R182	7030005120	S.RES ERJ2GEJ 102 X (1 k)	T	117.5/33.6
R183	7030005070	S.RES ERJ2GEJ 683 X (68 k)	T	103.7/48.4
R184	7030005220	S.RES ERJ2GEJ 223 X (22 k)	T	115.4/36.6
R185	7030005070	S.RES ERJ2GEJ 683 X (68 k)	B	102.3

[MAIN UNIT] (For IC-F6060 series)

REF NO.	ORDER NO.	DESCRIPTION	M.	H/V LOCATION
R210	7030008010	S.RES ERJ2GEJ 123 X (12 k)	T	123.6/37.9
R211	7030008010	S.RES ERJ2GEJ 123 X (12 k)	T	125.5/40.8
R212	7030005160	S.RES ERJ2GEJ 105 X (1 M)	T	121.7/40.8
R213	7030005070	S.RES ERJ2GEJ 683 X (68 k)	T	49/35
R214	7030004980	S.RES ERJ2GEJ 101 X (100)	B	49/35
R215	7030005050	S.RES ERJ2GEJ 103 X (10 k)	B	48.8/51.4
R216	7030004980	S.RES ERJ2GEJ 101 X (100)	B	48.8/51.4
		[Low], [USA-02]	B	49.8/49.7
		[EXP-02]	B	49.8/49.7
R218	7030005120	S.RES ERJ2GEJ 102 X (1 k)	T	53.5/34.9
R219	7030005050	S.RES ERJ2GEJ 103 X (10 k)	B	46.8/44.6
R220	7030005040	S.RES ERJ2GEJ 472 X (4.7 k)	B	49.7/44.8
R221	7030004980	S.RES ERJ2GEJ 101 X (100)	B	46.8/42.9
R222	7030005110	S.RES ERJ2GEJ 224 X (220 k)	B	13.5/33.1
R223	7030005110	S.RES ERJ2GEJ 224 X (220 k)	B	10.7/33.1
R224	7030005050	S.RES ERJ2GEJ 103 X (10 k)	B	10.7/31.4
R225	7030005000	S.RES ERJ2GEJ 471 X (470)	B	8/19.2
R226	7030004980	S.RES ERJ2GEJ 101 X (100)	T	110/51.7
R227	7030005090	S.RES ERJ2GEJ 104 X (100 k)	B	106.6/50.6
R228	7410001140	S.ARY EXB28V104JX	T	107.1/50.3
R230	7030005050	S.RES ERJ2GEJ 103 X (10 k)	B	124.7/42.7
R232	7030005530	S.RES ERJ2GEJ 100 X (10)	T	120/40.8
R233	7410000750	S.ARY EXB-V4V 104JV (100 k)	T	130.1/33.2
R234	7410001130	S.ARY EXB28V102JX	B	128.9/33.4
R235	7030005600	S.RES ERJ2GEJ 273 X (27 k)	B	69.9/69.4
R236	7030004970	S.RES ERJ2GEJ 470 X (47)	B	67.7/70.5
R238	7030004980	S.RES ERJ2GEJ 101 X (100)	B	63.6/66.2
R240	7030005090	S.RES ERJ2GEJ 104 X (100 k)	B	64.1/65
R242	7030005530	S.RES ERJ2GEJ 100 X (10)	B	6.5/34.4
R243	7030009320	S.RES ERJ2GEJ 4R7 X (4.7)	B	13.4/42.4
R244	7030005040	S.RES ERJ2GEJ 472 X (4.7 k)	[High]	B 8.6/35.7
	7030005120	S.RES ERJ2GEJ 102 X (1 k)	[EUR-01]	B 8.6/35.7
	7030009290	S.RES ERJ2GEJ 562 X (5.6 k)	[USA-01], [EXP-01]	B 8.6/35.7
R245	7030005530	S.RES ERJ2GEJ 100 X (10)	B	11.7/38.2
R246	7030005090	S.RES ERJ2GEJ 104 X (100 k)	B	11.3/41.5
R247	7030005710	S.RES ERJ2GEJ 121 X (120)	B	7.3/41.2
R248	7410001130	S.ARY EXB28V102JX	B	103.9/47.9
R249	7410001130	S.ARY EXB28V102JX	B	123.6/27.2
R250	7410001130	S.ARY EXB28V102JX	B	121.9/25.3
R251	7410001140	S.ARY EXB28V104JX	T	124.2/27.9
R252	7410001140	S.ARY EXB28V104JX	T	122.1/25.7
R253	7030008290	S.RES ERJ2GEJ 183 X (18 k)	T	11.8/40.8
R254	7030005110	S.RES ERJ2GEJ 224 X (220 k)	T	7.3/41.2
R255	7030005240	S.RES ERJ2GEJ 473 X (47 k)	B	9/41.9
R257	7030008400	S.RES ERJ2GEJ 182 X (1.8 k)	T	7.3/39.7
R258	7030005170	S.RES ERJ2GEJ 474 X (470 k)	T	8.4/42.2
R259	7030005090	S.RES ERJ2GEJ 104 X (100 k)	B	5.4/45.6
R260	7030005090	S.RES ERJ2GEJ 104 X (100 k)	B	5.4/48
R261	7410001130	S.ARY EXB28V102JX	B	99.7/43.5
R262	7410001130	S.ARY EXB28V102JX	T	100.5/37
R263	7410001130	S.ARY EXB28V102JX	B	97/40.7
R264	7410000750	S.ARY EXB-V4V 104JV (100 k)	T	103.2/35.4
R265	7030007340	S.RES ERJ2GEJ 153 X (15 k)	T	87.7/31
R266	7410001130	S.ARY EXB28V102JX	B	120.1/23.5
R267	7410001130	S.ARY EXB28V102JX	B	118.3/21.7
R268	7410001130	S.ARY EXB28V102JX	B	116.5/19.9
R269	7030005090	S.RES ERJ2GEJ 104 X (100 k)	T	118.6/20.6
R270	7030007340	S.RES ERJ2GEJ 153 X (15 k)	T	88.6/34.2
R271	7030007270	S.RES ERJ2GEJ 151 X (150)	T	73/71.8
R272	7030007280	S.RES ERJ2GEJ 331 X (330)	T	61/76.7
R273	7030005050	S.RES ERJ2GEJ 103 X (10 k)	T	63.6/76.2
R274	7030004980	S.RES ERJ2GEJ 101 X (100)	B	57.9/68.9
R277	7030005050	S.RES ERJ2GEJ 103 X (10 k)	B	4.1/46.5
R278	7030005050	S.RES ERJ2GEJ 103 X (10 k)	B	126.6/28.8
R279	7030005090	S.RES ERJ2GEJ 104 X (100 k)	B	127.6/28.8
R280	7410001130	S.ARY EXB28V102JX	B	95.2/38.9
R281	7030005090	S.RES ERJ2GEJ 104 X (100 k)	T	93.8/48.9
R282	7410000750	S.ARY EXB-V4V 104JV (100 k)	T	91.6/49.5
R283	7410001130	S.ARY EXB28V102JX	B	104.7/22.2
R284	7030005120	S.RES ERJ2GEJ 102 X (1 k)	T	111.3/25.3
R285	7410001130	S.ARY EXB28V102JX	B	107.1/19.9
R286	7410001140	S.ARY EXB28V104JX	T	120.5/21.8
R287	7030004990	S.RES ERJ2GEJ 221 X (220)	B	57.6/64.5
R288	7030005100	S.RES ERJ2GEJ 154 X (150 k)	B	55.8/68.9
R289	7030008300	S.RES ERJ2GEJ 184 X (180 k)	B	44.3/65
		[USA-01], [USA-02] only	B	44.3/65
R290	7520000260	S.POS PRF18BB471QB1RB	T	33.7/66.7
		[USA-01], [USA-02] only	T	107.2/21.1
R291	7030005120	S.RES ERJ2GEJ 102 X (1 k)	T	36.9/68
R292	7030006070	S.RES ERJ12YJ101U (100)	B	50.5/65.7
R293	7030005110	S.RES ERJ2GEJ 224 X (220 k)	B	53.1/70.1
R294	7030005050	S.RES ERJ2GEJ 103 X (10 k)	B	54.2/64.5
R295	7030005110	S.RES ERJ2GEJ 224 X (220 k)	B	50/68.9
R296	7030005040	S.RES ERJ2GEJ 472 X (4.7 k)	[EXP-02]	B 51.8/70.2
R297	7030005220	S.RES ERJ2GEJ 223 X (22 k)	[EXP-02]	B 51.8/70.2
		[Low], [USA-02]	B	51.8/70.2
R298	7030006610	S.RES ERJ2GEJ 394 X (390 k)	B	49.2/66.1
R299	7030005110	S.RES ERJ2GEJ 224 X (220 k)	B	18.3/33.1
R300	7030005050	S.RES ERJ2GEJ 103 X (10 k)	B	99.9/59.6
R301	7030007290	S.RES ERJ2GEJ 222 X (2.2 k)	T	106.7/55
R302	7030000440	S.RES MCR10EZJH 3.3 k	T	79.1/64.4
R303	7030000440	S.RES MCR10EZJH 3.3 k	T	81.1/64.4
R304	7030000440	S.RES MCR10EZJH 3.3 k	T	83.1/64.4
R305	7030005050	S.RES ERJ2GEJ 103 X (10 k)	T	66.9/54.1
R306	7030005040	S.RES ERJ2GEJ 472 X (4.7 k)	T	68.1/53.2
R307	7030005050	S.RES ERJ2GEJ 103 X (10 k)	B	35.4/61.7
R308	7410001130	S.ARY EXB28V102JX	T	102.3/63.8
R309	7030005070	S.RES ERJ2GEJ 683 X (68 k)	T	94.9/5.4
R310	7030004980	S.RES ERJ2GEJ 101 X (100)	B	109.1/62.5
R311	7030000260	S.RES MCR10EZJH 100 (101)	B	16/79.4
R312	7030005700	S.RES ERJ2GEJ 274 X (270 k)	B	41/61.1
R313	7030003320	S.RES ERJ3GEYJ 101 V (100)	B	11.2/58

[Low]=[USA-01], [EXP-01], [EUR-01], [USA-03], [EXP-03], [EUR-03]
 [High]=[USA-02], [EXP-02], [USA-04], [EXP-04]

[MAIN UNIT] (For IC-F6060 series)

REF NO.	ORDER NO.	DESCRIPTION	M.	H/V LOCATION
R314	7030007340	S.RES ERJ2GEJ 153 X (15 k)	B	10/55.3
		[USA-01], [High]	B	10/55.3
	7030008400	S.RES ERJ2GEJ 182 X (1.8 k)	B	10/55.3
		[EXP-01], [EUR-01]	B	3/61.6
R315	7030000220	S.RES MCR10EZJH 47 (470)	T	92.7/10.3
R316	7030005170	S.RES ERJ2GEJ 474 X (470 k)	B	116.5/86.3
R317	7030005160	S.RES ERJ2GEJ 105 X (1 M)	B	113.7/83.8
R318	7030005160	S.RES ERJ2GEJ 105 X (1 M)	B	114/82.6
R319	7030005120	S.RES ERJ2GEJ 102 X (1 k)	B	112.9/86.3
R320	7030005160	S.RES ERJ2GEJ 105 X (1 M)	B	112.1/84.5
R321	7030004970	S.RES ERJ2GEJ 470 X (47)	B	4.6/80.9
R322	7030007340	S.RES ERJ2GEJ 153 X (15 k)	B	4.6/80.9
		[USA-01], [High]	B	4.6/80.9
	7030008400	S.RES ERJ2GEJ 182 X (1.8 k)	B	6.8/80.9
		[EXP-01], [EUR-01]	T	6.1/83.1
R323	7030003320	S.RES ERJ3GEYJ 101 V (100)	T	131.2/45.3
R324	7030000620	S.RES MCR10EZJH 100 k	B	131.6/51.7
R325	7030005050	S.RES ERJ2GEJ 103 X (10 k)	B	131.1/54.2
R326	7030005090	S.RES ERJ2GEJ 104 X (100 k)	B	134.1/51.7
R327	7030007290	S.RES ERJ2GEJ 222 X (2.2 k)	B	109.4/24.2
R328	7030005090	S.RES ERJ2GEJ 104 X (100 k)	T	112.6/29.5
R332	7030005090	S.RES ERJ2GEJ 104 X (100 k)	T	108.1/77.4
R333	7030005120	S.RES ERJ2GEJ 102 X (1 k)	T	108/78.8
R334	7030000100	S.RES MCR10EZJH 4.7 (4R7)	T	112.2/80
R335	7030005050	S.RES ERJ2GEJ 103 X (10 k)	T	104.8/77
R336	7030005120	S.RES ERJ2GEJ 102 X (1 k)	B	99.9/57.9
R337	7410001130	S.ARY EXB28V102JX	B	99.9/56.5
R338	7030005651	S.RES ERA3YKD 304V (300 k)	T	136.3/65.7
R339	7030005871	S.RES ERA3YKD 104V (100 k)	B	130.7/85.9
R340	7030003560	S.RES ERJ3GEYJ 103 V (10 k)	B	135.4/52.2
R341	7030003560	S.RES ERJ3GEYJ 103 V (10 k)	B	138.1/49.4
R342	7030005090	S.RES ERJ2GEJ 104 X (100 k)	B	133.3/54.6
R343	7030007290	S.RES ERJ2GEJ 222 X (2.2 k)	B	133.3/56.3
R344	7030005110	S.RES ERJ2GEJ 224 X (220 k)	B	137/52.2
R345	7030005110	S.RES ERJ2GEJ 224 X (220 k)	B	137/52.2
R346	7030005040	S.RES ERJ2GEJ 472 X (4.7 k)	B	137.8/53.7
R347	7030005050	S.RES ERJ2GEJ 103 X (10 k)	B	129.1/77.2
R348	7030005700	S.RES ERJ2GEJ 274 X (270 k)	B	127.8/77.7
R349	7030005090	S.RES ERJ2GEJ 104 X (100 k)	B	140/47.6
R350	7030005120	S.RES ERJ2GEJ 102 X (1 k)	B	134.5/36.5
R351	7030004980	S.RES ERJ2GEJ 101 X (100)	B	140.1/38.5
R352	7030008300	S.RES ERJ2GEJ 184 X (180 k)	B	139.3/34.8
R353	7030005230	S.RES ERJ2GEJ 334 X (330 k)	B	140.4/36
R354	7030010040	S.RES ERJ2GEJ-JPW	B	138/34.8
R355	7030008280	S.RES ERJ2GEJ 271 X (270)	B	112.6/80.5
R356	7540000290	ABS ERZV10D220	B	78.4/5.3
R359	7030005090	S.RES ERJ2GEJ 104 X (100 k)	T	76.7/18.3
R360	7030005090	S.RES ERJ2GEJ 104 X (100 k)	T	121.7/48.6
R361	7030005600	S.RES ERJ2GEJ 273 X (27 k)	T	42.9/38.2
R362	7030005050	S.RES ERJ2GEJ 103 X (10 k)	T	42/37.2
R363	7030005120	S.RES ERJ2GEJ 102 X (1 k)	T	131.4/63.4
R364	7030005040	S.RES ERJ2GEJ 472 X (4.7 k)	T	130.1/63
R366	7030005050	S.RES ERJ2GEJ 103 X (10 k)	T	80.6/7.2
R367	7030005000	S.RES ERJ2GEJ 471 X (470)	T	78.4/35.7
R368	7030005050	S.RES ERJ2GEJ 103 X (10 k)	B	78.7/44.7
R370	7030005030	S.RES ERJ2GEJ 152 X (1.5 k)	B	39.5/8.1
R371	7030005120	S.RES ERJ2GEJ 102 X (1 k)	B	50.4/12.3
R372	7030010040	S.RES ERJ2GEJ-JPW	T	117.9/83.3
R373	7030010040	S.RES ERJ2GEJ-JPW	T	29.2/5.3
R374	7030005050	S.RES ERJ2GEJ 103 X (10 k)	T	75.8/18.3
R375	7030005030	S.RES ERJ2GEJ 152 X (1.5 k)	T	112.9/12.2
R376	7030005040	S.RES ERJ2GEJ 472 X (4.7 k)	B	114.2/12.7
R377	7030005160	S.RES ERJ2GEJ 105 X (1 M)	B	99.9/18
R378	7030005160	S.RES ERJ2GEJ 105 X (1 M)	B	110.9/22.2
R379	7410001140	S.ARY EXB28V104JX	T	64.8/76.6
R380	7030005090	S.RES ERJ2GEJ 104 X (100 k)	T	110.1/30.2
R385	7030010040	S.RES ERJ2GEJ-JPW	T	104.8/86.7
R386	7410000750	S.ARY EXB-V4V 104JV (100 k)	T	108.8/86.7
R387	7030005120	S.RES ERJ2GEJ 102 X (1 k)	T	103.8/38.2
R388	7030005120	S.RES ERJ2GEJ 102 X (1 k)	T	
R389	7030005050	S.RES ERJ2GEJ 103 X (10 k)	T	
C1	4030017420	S.CER ECJ0EC1H470J	T	88.9/54.3
C2	4030017420	S.CER ECJ0EC1H470J	T	89.9/54.3
C3	4030017420	S.CER ECJ0EC1H470J	T	41.7/15.3
C4	4030017420	S.CER ECJ0EC1H470J	B	50.4/14.9
C5	4030016930	S.CER ECJ0EB1A104K	T	89.8/34.6
C6	4550006250	S.TAN TEESVA 1A 106M8R	B	77.3/49.7
C8	4030017420	S.CER ECJ0EC1H470J	T	89.9/52
C9	4030016930	S.CER ECJ0EB1A104K	T	88.9/52
C10	4030016930	S.CER ECJ0EB1A104K	T	79.8/51
C11	4030016930	S.CER ECJ0EB1A104K	T	9.3/18.1
C12	4030016930	S.CER ECJ0EB1A104K	T	9.3/11.1
C13	403001693			

[MAIN UNIT] (For IC-F6060 series)

REF NO.	ORDER NO.	DESCRIPTION	M.	H/V LOCATION
C33	4030016930	S.CER ECJ0EB1A104K	B	35.8/12.7
C34	4030017570	S.CER ECJ0EC1H040B	B	32/15.4
C35	4030017590	S.CER ECJ0EC1H070C	B	30.8/15.9
C36	4030016930	S.CER ECJ0EB1A104K	T	22.9/15
C37	4030017360	S.CER ECJ0EC1H030B	B	28.1/15.4
C38	4030016930	S.CER ECJ0EB1A104K	T	22.1/6.2
C39	4030016930	S.CER ECJ0EB1A104K	B	15/5.7
C40	4030016930	S.CER ECJ0EB1A104K	T	24.4/6
C41	4030016930	S.CER ECJ0EB1A104K	T	22.2/12.5
C42	4030016930	S.CER ECJ0EB1A104K	T	23.1/12.5
C43	4030017760	S.CER ECJ0EB1H222K	T	26.4/9.4
C44	4030017760	S.CER ECJ0EB1H222K	T	25.5/9.4
C45	4030017790	S.CER ECJ0EB1E682K	B	92.9/9.6
C46	4030016930	S.CER ECJ0EB1A104K	B	93.9/10
C47	4030016970	S.CER ECJ0EB1C223K	T	90.9/14.7
C48	4030017710	S.CER ECJ0EC1H181J	B	49.9/9.1
C49	4550006250	S.TAN TEESVA 1A 106M8R	T	54.8/15.4
C50	4030017460	S.CER ECJ0EB1E102K	T	55.4/12.1
C51	4030017400	S.CER ECJ0EC1H220J	T	46.3/18.8
C52	4030017400	S.CER ECJ0EC1H220J	T	44.7/7.8
C53	4030017900	S.CER ECJ0EB1C123K	B	63.7/10.8
C54	4030018080	S.CER ECJ0EB1H182K	B	63.7/11.7
C55	4030016790	S.CER ECJ0EB1C103K	B	49.2/30.2
C56	4030017620	S.CER ECJ0EC1H100C	T	83.4/36.5
C57	4030016930	S.CER ECJ0EB1A104K	T	84.8/31
C58	4030017430	S.CER ECJ0EC1H101J	T	85.7/38.8
C59	4030017460	S.CER ECJ0EB1E102K	T	81.8/24.8
C60	4030017420	S.CER ECJ0EC1H470J	T	83/41.5
C61	4030017620	S.CER ECJ0EC1H100C	T	84.4/40.2
C62	4030017650	S.CER ECJ0EC1H270J	T	81.2/41.5
C65	4030017460	S.CER ECJ0EB1E102K	T	28.7/9.9
C66	4550006250	S.TAN TEESVA 1A 106M8R	T	30.7/6.9
C67	4030017460	S.CER ECJ0EB1E102K	T	26.4/6.3
C68	4030017460	S.CER ECJ0EB1E102K	T	30.5/9
C69	4030017460	S.CER ECJ0EB1E102K	T	32.6/15.4
C70	4030017420	S.CER ECJ0EC1H470J	B	30.6/14.3
C71	4030016940	S.CER ECJ0EB1A393K	B	92.9/7.8
C72	4030018860	S.CER ECJ0EB0J105K	B	50.9/11
C73	4030017750	S.CER ECJ0EB1E122K	B	50.3/17.7
C74	4030016930	S.CER ECJ0EB1A104K	B	52/17.7
C75	4030016930	S.CER ECJ0EB1A104K	B	55.9/12.6
C77	4030017460	S.CER ECJ0EB1E102K	B	53.1/12.7
C78	4030017460	S.CER ECJ0EB1E102K	B	53.3/8.6
C79	4550006250	S.TAN TEESVA 1A 106M8R	B	50.1/33.1
C80	4030017770	S.CER ECJ0EB1E332K	B	82.6/43.3
C81	4550000560	S.TAN TEESVA 1V 334M8R	B	84.4/41.1
C82	4030017460	S.CER ECJ0EB1E102K	B	80.3/30.7
C83	4550000270	S.TAN TEESVA 1E 474M8R	B	84.4/35.9
C84	4030017460	S.CER ECJ0EB1E102K	B	83.2/49.6
C85	4030017350	S.CER ECJ0EC1H020B	T	55.2/45.4
C87	4030017340	S.CER ECJ0EC1H010B	T	53.9/42.8
C88	4030017530	S.CER ECJ0EC1H0R5B	T	55.2/42.3
C89	4030017550	S.CER ECJ0EC1H1R5B	T	53.9/41.8
C91	4030016790	S.CER ECJ0EB1C103K	T	27.3/17.3
C92	4030017460	S.CER ECJ0EB1E102K	T	24.6/20.3
C93	4030017680	S.CER ECJ0EC1H820J	T	32.6/12.5
C94	4030017460	S.CER ECJ0EB1E102K	B	30.5/12.5
C95	4030016790	S.CER ECJ0EB1C103K	T	28.8/19.3
C96	4030016930	S.CER ECJ0EB1A104K	B	32.7/6.1
C97	4030016930	S.CER ECJ0EB1A104K	B	29.8/9.4
C98	4030016930	S.CER ECJ0EB1A104K	B	89.3/7.4
C99	4030016930	S.CER ECJ0EB1A104K	B	90.8/14.6
C100	4030016930	S.CER ECJ0EB1A104K	T	86.1/15.6
C101	4030017710	S.CER ECJ0EC1H181J	T	83.9/7.5
C102	4030016930	S.CER ECJ0EB1A104K	T	106.7/34.7
C103	4030016930	S.CER ECJ0EB1A104K	B	55.3/19.5
C104	4550000270	S.TAN TEESVA 1E 474M8R	B	76.6/32.9
C105	4030017420	S.CER ECJ0EC1H470J	T	74.2/41.3
C107	4030016930	S.CER ECJ0EB1A104K	B	72.9/43.4
C110	4030017420	S.CER ECJ0EC1H470J	T	74.2/34.8
C111	4030016930	S.CER ECJ0EB1A104K	B	73.9/28.3
C112	4030017460	S.CER ECJ0EB1E102K	T	73/27.4
C113	4030017420	S.CER ECJ0EC1H470J	T	74.2/28.3
C114	4030016790	S.CER ECJ0EB1C103K	T	24.2/21.3
C115	4030016790	S.CER ECJ0EB1C103K	T	22.5/21.3
C116	4030016790	S.CER ECJ0EB1C103K	T	26.6/22.5
C119	4030017640	S.CER ECJ0EC1H150J	T	20.3/27.9
C120	4030016790	S.CER ECJ0EB1C103K	T	32.2/22.5
C123	4030017390	S.CER ECJ0EC1H180J	T	40/28
C124	4030016930	S.CER ECJ0EB1A104K	B	90.8/17.4
C126	4030016930	S.CER ECJ0EB1A104K	T	82.7/21.2
C128	4030016930	S.CER ECJ0EB1A104K	T	80/20.2
C129	4030016930	S.CER ECJ0EB1A104K	B	63.7/16
C130	4030016930	S.CER ECJ0EB1A104K	B	134.8/16.8
C131	4030017660	S.CER ECJ0EC1H330J	B	137.5/23.8
C132	4030017660	S.CER ECJ0EC1H330J	B	137.5/18.8
C133	4030017380	S.CER ECJ0EC1H050B [USA-01], [High]	T	69/43.9
	4030017580	S.CER ECJ0EC1H060C [EXP-01], [EUR-01]	T	69/43.9
C134	4030017590	S.CER ECJ0EC1H070C	T	70.3/43
C135	4030017590	S.CER ECJ0EC1H070C	T	69/37.4
C136	4030017460	S.CER ECJ0EB1E102K	B	84.1/27.8
C137	4030017630	S.CER ECJ0EC1H120J [High]	T	70.3/30
	4030017670	S.CER ECJ0EC1H390J [Low]	T	70.3/30
C138	4030017620	S.CER ECJ0EC1H100C [High]	T	69/30.9
	4030017640	S.CER ECJ0EC1H150J [Low]	T	69/30.9
C139	4030017620	S.CER ECJ0EC1H100C [High]	T	70.3/36.5
	4030017630	S.CER ECJ0EC1H120J [Low]	T	70.3/36.5
	4030017460	S.CER ECJ0EB1E102K	T	73/40.4
C141	4030017460	S.CER ECJ0EB1E102K	T	73/33.9
C142	4030018860	S.CER ECJ0EB0J105K	T	90.1/10.7
C143	4030017340	S.CER ECJ0EC1H010B	T	64.7/31.3
C145	4030016790	S.CER ECJ0EB1C103K	T	27.8/35.2
C147	4030016790	S.CER ECJ0EB1C103K	T	35.1/35.2

[Low]=[USA-01], [EXP-01], [EUR-01], [USA-03], [EXP-03], [EUR-03]
 [High]=[USA-02], [EXP-02], [USA-04], [EXP-04]

[MAIN UNIT] (For IC-F6060 series)

REF NO.	ORDER NO.	DESCRIPTION	M.	H/V LOCATION
C148	4030016790	S.CER ECJ0EB1C103K	T	29.9/33.9
C149	4030016930	S.CER ECJ0EB1A104K	B	76.5/18.7
C150	4030018560	S.CER C2012 JB 1A 475K-T	B	89/22
C151	4030016930	S.CER ECJ0EB1A104K	T	111.1/46.3
C152	4030016930	S.CER ECJ0EB1A104K	T	108.5/35.7
C153	4030017460	S.CER ECJ0EB1E102K	T	110.3/35.6
C154	4030018860	S.CER ECJ0EB0J105K	T	83.2/19.8
C155	4030017420	S.CER ECJ0EC1H470J	T	110.3/37.9
C156	4030017910	S.CER ECJ0EB1H152K	T	103.2/42.7
C157	4030017420	S.CER ECJ0EC1H470J	T	110.7/47.2
C158	4030017430	S.CER ECJ0EC1H101J	T	108.5/36.7
C159	4030017460	S.CER ECJ0EB1E102K	B	118.5/9.4
C160	4030017460	S.CER ECJ0EB1E102K	B	130.6/25.4
C161	4030017610	S.CER ECJ0EC1H090C [Low]	T	64.2/43
	4030017620	S.CER ECJ0EC1H100C [High]	T	64.2/43
C162	4030017380	S.CER ECJ0EC1H050B [Low] only	T	68.6/45.2
C163	4030017390	S.CER ECJ0EC1H180J [High] only	T	64.2/36.5
C164	4030017380	S.CER ECJ0EC1H050B [Low] only	T	61.6/44.8
	4030017570	S.CER ECJ0EC1H040B [High]	T	61.6/44.8
C165	4030017620	S.CER ECJ0EC1H100C [High]	T	60.3/45.2
	4030017630	S.CER ECJ0EC1H120J [EXP-01], [EUR-01] except [USA]	T	60.3/45.2
C166	4030017580	S.CER ECJ0EC1H060C	T	68.6/38.7
C167	4030017640	S.CER ECJ0EC1H150J	T	64.2/30
C168	4030017590	S.CER ECJ0EC1H070C [USA-01] except [USA]	T	61.6/38.3
	4030017610	S.CER ECJ0EC1H090C	T	61.6/38.3
C169	4030017390	S.CER ECJ0EC1H180J	T	60.3/38.7
C170	4030017340	S.CER ECJ0EC1H010B	T	65.6/31.3
C171	4030017560	S.CER ECJ0EC1H2R5B [High]	T	68.6/32.2
	4030017570	S.CER ECJ0EC1H040B [Low]	T	68.6/32.2
C172	4030017570	S.CER ECJ0EC1H040B [High]	T	61.6/31.8
	4030017600	S.CER ECJ0EC1H080C [Low]	T	61.6/31.8
C173	4030017580	S.CER ECJ0EC1H060C [High]	T	60.2/32.2
	4030017620	S.CER ECJ0EC1H100C [Low]	T	60.2/32.2
C174	4030017640	S.CER ECJ0EC1H150J	T	38.1/37.2
C175	4030016790	S.CER ECJ0EB1C103K	B	41.4/39.4
C176	4030016930	S.CER ECJ0EB1A104K	B	41.2/32.8
C177	4030017730	S.CER ECJ0EB1E471K	B	42.1/32.8
C178	4030016790	S.CER ECJ0EB1C103K	B	34.6/32.9
C180	4030017740	S.CER ECJ0EB1E821K	T	108.8/47.5
C181	4030016930	S.CER ECJ0EB1A104K	T	111.5/43.6
C182	4030016780	S.CER ECJ0EB1C153K	T	112/39.9
C183	4030017420	S.CER ECJ0EC1H470J	T	103.8/44.5
C184	4030017760	S.CER ECJ0EB1H222K	T	105.4/47.5
C185	4030017690	S.CER ECJ0EC1H121J	T	107.1/47.5
C186	4030016930	S.CER ECJ0EB1A104K	T	62.6/40.9
C187	4030017460	S.CER ECJ0EB1E102K	T	63.5/40.9
C188	4030016790	S.CER ECJ0EB1C103K	T	62.6/34.4
C189	4030017460	S.CER ECJ0EB1E102K	T	63.5/34.4
C190	4030017530	S.CER ECJ0EC1H0R5B	T	58.6/42.7
C191	4030016790	S.CER ECJ0EB1C103K	T	62.6/27.9
C192	4030017520	S.CER ECJ0EC1H0R3B [Low]	T	58.6/36.2
	4030017530	S.CER ECJ0EC1H0R5B [High]	T	58.6/36.2
C193	4030017460	S.CER ECJ0EB1E102K	T	63.5/27.9
C194	4030017530	S.CER ECJ0EC1H0R5B	T	58.9/31.8
C195	4030016930	S.CER ECJ0EB1A104K	B	40.3/30.2
C196	4030017730	S.CER ECJ0EB1E471K	B	38.7/33.2
C197	4030016930	S.CER ECJ0EB1A104K	B	38.7/32.3
C198	4030017730	S.CER ECJ0EB1E471K	B	31.3/38.3
C199	4030016930	S.CER ECJ0EB1A104K	B	31.3/39.2
C200	4030016930	S.CER ECJ0EB1A104K	B	31.3/34.1
C201	4030017730	S.CER ECJ0EB1E471K	B	31.3/35.9
C202	4030017460	S.CER ECJ0EB1E102K	T	112/38.9
C203	4030017460	S.CER ECJ0EB1E102K	B	100.5/47.4
C204	4030017420	S.CER ECJ0EC1H470J	B	66.4/33.1
C205	4030018900	S.CER ECJ0EB0J474K	T	79.6/19.3
C206	4030016930	S.CER ECJ0EB1A104K	T	78.5/16.7
C207	4030017730	S.CER ECJ0EB1E471K	T	54.2/27.8
C208	4030017460	S.CER ECJ0EB1E102K	T	55.3/32.2
C209	4030017460	S.CER ECJ0EB1E102K	B	53.6/35.9
C210	4030017380	S.CER ECJ0EC1H050B	T	52.7/33.4
C211	4030017580	S.CER ECJ0EC1H060C	T	54.7/34.9
C213	4030017460	S.CER ECJ0EB1E102K	B	55.8/42.5
C214	4030017460	S.CER ECJ0EB1E102K	B	58.6/34.7
C215	4030017580	S.CER ECJ0EC1H060C [Low]	B	39.5/44.6
	4030017620	S.CER ECJ0EC1H100C [High]	B	39.5/44.6
C216	4030017390	S.CER ECJ0EC1H180J [High]	B	41.5/44.6
	4030017630	S.CER ECJ0EC1H120J [Low]	B	41.5/44.6
C217	4030017730	S.CER ECJ0EB1E471K	B	25.4/33.2
C218	4030016930	S.CER ECJ0EB1A104K	B	23.8/33.2
C219	4030017570	S.CER ECJ0EC1H040B	B	22.7/36.5
C220	4030017550	S.CER ECJ0EC1H1R5B [Low] only	B	22.2/37.7
C221	4030016930	S.CER ECJ0EB1A104K	B	5.6/23.2
C222	4030017030	S.CER ECJ0EB1A273K	B	128.7/45.9
C223	4030016930	S.CER ECJ0EB1A104K	B	123.5/43.9
C224	4030017640	S.CER ECJ0EC1H150J	T	123/39.9
C225	4030016790			

[MAIN UNIT] (For IC-F6060 series)

REF NO.	ORDER NO.	DESCRIPTION	M.	H/V LOCATION
C240	4030017600	S.CER ECJ0EC1H080C	[High]	B 14/34.4
	4030017610	S.CER ECJ0EC1H090C	[Low]	B 14/34.4
C241	4030017520	S.CER ECJ0EC1H0R3B		
		[USA-01], [EXP-01], [High]	B	17.1/37.7
		[EUR-01]	B	17.1/37.7
C242	4030017530	S.CER ECJ0EC1H0R5B		
	4030017600	S.CER ECJ0EC1H080C		B 10.2/34.4
	4030017610	S.CER ECJ0EC1H090C	[Low]	B 10.2/34.4
C243	4030017460	S.CER ECJ0EB1E102K		B 15.4/32.2
C244	4030017460	S.CER ECJ0EB1E102K		B 9.7/31.4
C245	4550006780	S.TAN TEESVB2 J 476M8R		B 5.6/18.7
C246	4030016930	S.CER ECJ0EB1A104K		B 104.2/52.7
C247	4030016930	S.CER ECJ0EB1A104K		B 106/54.6
C248	4030016930	S.CER ECJ0EB1A104K		B 107.6/52.4
C249	4030018900	S.CER ECJ0EB0J474K		B 121/47.2
C250	4030017630	S.CER ECJ0EC1H120J		T 120.4/39.9
C251	4030017370	S.CER ECJ0EC1H3R5B	[High]	B 66.3/65.9
	4030017380	S.CER ECJ0EC1H050B	[Low]	B 66.3/65.9
C252	4030017420	S.CER ECJ0EC1H470J		B 61/66.2
C253	4030017730	S.CER ECJ0EB1E471K		B 65.1/70.5
C254	4030017420	S.CER ECJ0EC1H470J		B 69.9/71.1
C255	4030017420	S.CER ECJ0EC1H470J		B 63.2/65
C257	4030017520	S.CER ECJ0EC1H0R3B	[High]	B 70.2/66.9
	4030017530	S.CER ECJ0EC1H0R5B	[Low]	B 70.2/66.9
C258	4030017460	S.CER ECJ0EB1E102K		B 6.5/33.5
C259	4030017460	S.CER ECJ0EB1E102K		B 16.4/42.4
C260	4030017340	S.CER ECJ0EC1H010B	[High]	B 9.5/35.7
	4030017530	S.CER ECJ0EC1H0R5B	[Low]	B 9.5/35.7
C261	4030017460	S.CER ECJ0EB1E102K		B 8.1/34.4
C262	4030017460	S.CER ECJ0EB1E102K		B 9/36.9
C263	4030016790	S.CER ECJ0EB1C103K		B 5.4/36.4
C265	4030017420	S.CER ECJ0EC1H470J		B 6.9/40.3
C266	4030017460	S.CER ECJ0EB1E102K		B 7.3/39.4
C267	4030017460	S.CER ECJ0EB1E102K		B 69/71.1
C268	4030017360	S.CER ECJ0EC1H030B		B 72.3/69.4
C269	4030017550	S.CER ECJ0EC1H1R5B		B 73.5/66.9
C270	4030017570	S.CER ECJ0EC1H040B	[High]	B 71.1/70.5
	4030017580	S.CER ECJ0EC1H060C	[Low]	B 71.1/70.5
C271	4030017520	S.CER ECJ0EC1H0R3B		
		[USA-01], [EXP-01], [High]	B	12.1/36.9
		[EUR-01]	B	12.1/36.9
C272	4030017530	S.CER ECJ0EC1H0R5B		B 12.2/43.3
C273	4030016930	S.CER ECJ0EB1A104K		B 12.8/40.8
C274	4030017460	S.CER ECJ0EB1E102K		B 3.9/41
C275	4030017420	S.CER ECJ0EC1H470J		B 106/59.1
C276	4030017590	S.CER ECJ0EC1H070C		B 10/41.9
C277	4030017460	S.CER ECJ0EB1E102K		T 13.5/39.1
C278	4030017590	S.CER ECJ0EC1H070C	[Low]	B 9.5/43.2
	4030017600	S.CER ECJ0EC1H080C	[High]	B 9.5/43.2
C279	4030017390	S.CER ECJ0EC1H180J	[High]	B 6.7/45.2
	4030017410	S.CER ECJ0EC1H240J	[Low]	B 6.7/45.2
C280	4030017560	S.CER ECJ0EC1H2R5B		B 10/46.8
C281	4030017420	S.CER ECJ0EC1H470J		T 95.5/35.9
C282	4030017420	S.CER ECJ0EC1H470J		T 102.2/41.1
C283	4030017420	S.CER ECJ0EC1H470J		B 95.8/47
C284	4030017420	S.CER ECJ0EC1H470J		T 97.8/37.2
C285	4030017420	S.CER ECJ0EC1H470J		B 94.9/44.7
C286	4030017420	S.CER ECJ0EC1H470J		T 93.8/44.7
C287	4030017420	S.CER ECJ0EC1H470J		T 93.8/40
C288	4030017460	S.CER ECJ0EB1E102K		B 4.1/47.4
C289	4030017600	S.CER ECJ0EC1H080C	[High]	B 18.8/34.4
	4030017610	S.CER ECJ0EC1H090C	[Low]	B 18.8/34.4
C290	4030017570	S.CER ECJ0EC1H040B	[High]	T 73.9/75.6
	4030017580	S.CER ECJ0EC1H060C	[Low]	T 73.9/75.6
C291	4030017730	S.CER ECJ0EB1E471K		T 69.2/76.6
C294	4030017420	S.CER ECJ0EC1H470J		T 70.3/76.6
C295	4030017420	S.CER ECJ0EC1H470J		B 58.4/69.9
C297	4030017460	S.CER ECJ0EB1E102K		B 58.4/67.9
C299	4030017390	S.CER ECJ0EC1H180J	[High]	B 6.7/48.4
	4030017410	S.CER ECJ0EC1H240J	[Low]	B 6.7/48.4
C300	4030017590	S.CER ECJ0EC1H070C	[Low]	B 9.5/50.4
	4030017600	S.CER ECJ0EC1H080C	[High]	B 9.5/50.4
C301	4030017590	S.CER ECJ0EC1H070C		B 11.7/48.8
C302	4030017460	S.CER ECJ0EB1E102K		B 4.1/44.7
C303	4030016930	S.CER ECJ0EB1A104K		B 127.6/31.4
C304	4030017420	S.CER ECJ0EC1H470J		T 90.5/43
C305	4030011050	S.CER GRM31M3C2H3R0CY21L		T 27.6/79.2
C306	4030011030	S.CER GRM31M4C2H1R5CY21L	[High]	T 25.6/76.6
	4030011040	S.CER GRM31M4C2H2R0CY21L	[USA-01]	T 25.6/76.6
		[EXP-01], [EUR-01]	T	25.6/76.6
C307	4030011020	S.CER GRM31M4C2H1R0CY21L		T 25.6/73.8
	4030011040	S.CER GRM31M4C2H2R0CY21L	[Low], [USA-02]	T 25.6/73.8
C308	4030011020	S.CER GRM31M4C2H1R0CY21L		T 27.6/71.2
		[EXP-02]	T	27.6/71.2
	4030011040	S.CER GRM31M4C2H2R0CY21L	[EXP-01], [EUR-01], [USA-02]	T 27.6/71.2
	4030011050	S.CER GRM31M3C2H3R0CY21L	[USA-01]	T 27.6/71.2
C309	4030017460	S.CER ECJ0EB1E102K		T 71.4/76.6
C310	4030017420	S.CER ECJ0EC1H470J		T 43.9/76.6
C311	4030017460	S.CER ECJ0EB1E102K		T 45/76.6
C312	4030017730	S.CER ECJ0EB1E471K		T 46.1/76.6
C313	4510008680	S.ELE EEE1EA220SP		T 51.8/83
C314	4030017420	S.CER ECJ0EC1H470J		B 33.4/66.3
C315	4030017460	S.CER ECJ0EB1E102K		B 57.6/63.6
C316	4030016790	S.CER ECJ0EB1C103K		B 55.9/64.5
C317	4030016970	S.CER ECJ0EB1C223K		B 55.8/70.1
C318	4030017460	S.CER ECJ0EB1E102K		
		[USA-01], [USA-02] only	T	34.9/66.7
C319	4030017460	S.CER ECJ0EB1E102K		
		[USA-01], [USA-02] only	B	45.3/66.9

[Low]=[USA-01], [EXP-01], [EUR-01], [USA-03], [EXP-03], [EUR-03]
[High]=[USA-02], [EXP-02]

[MAIN UNIT] (For IC-F6060 series)

REF NO.	ORDER NO.	DESCRIPTION	M.	H/V LOCATION
C320	4030017510	S.CER ECJ0EC1H680J		B 13.9/52.1
C321	4030017460	S.CER ECJ0EB1E102K		B 16.5/48.8
C322	4030017350	S.CER ECJ0EC1H020B	[Low]	B 21.2/51.2
	4030017530	S.CER ECJ0EC1H0R5B	[High]	B 21.2/51.2
C324	4030017420	S.CER ECJ0EC1H470J		T 90.1/41.7
C325	4030017460	S.CER ECJ0EB1E102K		T 73.2/67.6
C326	4030017420	S.CER ECJ0EC1H470J		B 40.5/67.3
C327	4030017460	S.CER ECJ0EB1E102K		B 83.9/79.3
C328	4030017420	S.CER ECJ0EC1H470J		B 82.9/79.3
C329	4030017400	S.CER ECJ0EC1H220J		B 81.9/79.3
C330	4510008540	S.ELE EEE1CA100SR		T 96.7/53.9
C331	4510008540	S.ELE EEE1CA100SR		T 60.6/55.1
C332	4030017780	S.CER ECJ0EB1E472K		B 53.5/60.2
C334	4030017460	S.CER ECJ0EB1E102K		B 50.8/70.2
C335	4030017460	S.CER ECJ0EB1E102K		B 48.7/69.4
C336	4030011030	S.CER GRM31M4C2H1R5CY21L		
		[EXP-01], [EUR-01] only	T	14.3/56.9
C337	4030017380	S.CER ECJ0EC1H050B	[High]	B 28.2/53.7
	4030017600	S.CER ECJ0EC1H080C	[Low]	B 28.2/53.7
C338	4510008540	S.ELE EEE1CA100SR		T 79.1/69.1
C339	4030017460	S.CER ECJ0EB1E102K		T 79.1/62.1
C340	4030017460	S.CER ECJ0EB1E102K		T 63.5/55.5
C341	4030016790	S.CER ECJ0EB1C103K		T 68.1/52.3
C342	4030017200	S.CER GRM31BR32J102KY01L		T 26.8/61.7
C343	4030011040	S.CER GRM31M4C2H2R0CY21L	[High]	T 23/63.3
	4030011050	S.CER GRM31M3C2H3R0CY21L	[Low]	T 23/63.3
C344	4030011050	S.CER GRM31M3C2H3R0CY21L		T 20.9/63.3
C345	4030011050	S.CER GRM31M3C2H3R0CY21L		
		[USA-01], [High]	T	18.3/58.5
	4030011060	S.CER GRM31M2C2H4R0CY21L	[EXP-01], [EUR-01]	T 18.3/58.5
C346	4030011070	S.CER GRM31M2C2H5R0CY21L		T 34.3/58.3
C347	4030017520	S.CER ECJ0EC1H0R3B		B 33.7/61.7
C348	4030017460	S.CER ECJ0EB1E102K		B 39.7/61.7
C349	4030011060	S.CER GRM31M2C2H4R0CY21L		T 10.3/61.7
C350	4030011050	S.CER GRM31M3C2H3R0CY21L	[High]	T 12.9/65.2
	4030011060	S.CER GRM31M2C2H4R0CY21L	[EXP-01], [EUR-01]	T 12.9/65.2
		[USA-01]	T	12.9/65.2
C351	4030016930	S.CER ECJ0EB1A104K		T 110.8/66.5
C352	4030017460	S.CER ECJ0EB1E102K		B 124.6/59.7
C353	4550006250	S.TAN TEESVA 1A 106M8R		B 124/61.3
C354	4550006250	S.TAN TEESVA 1A 106M8R		B 112.9/61.7
C355	4030017420	S.CER ECJ0EC1H470J		B 112.6/60.1
C356	4030011060	S.CER GRM31M2C2H4R0CY21L	[High]	T 15.7/65.2
	4030011070	S.CER GRM31M2C2H5R0CY21L	[Low]	T 15.7/65.2
C357	4030011030	S.CER GRM31M4C2H1R5CY21L	[High]	T 4.2/63.3
	4030011060	S.CER GRM31M2C2H4R0CY21L	[Low]	T 4.2/63.3
C358	4030009530	S.CER C1608 CH 1H 030B-T		B 10.7/61.4
C359	4030006860	S.CER C1608 JB 1H 102K-T		B 9.9/59.5
C360	4030017460	S.CER ECJ0EB1E102K		B 8.7/54
C361	4030017460	S.CER ECJ0EB1E102K		T 101.3/52.9
C362	4030017460	S.CER ECJ0EB1E102K		T 106.3/21.1
C363	4510008540	S.ELE EEE1CA100SR		T 139.1/31.9
C365	4550007650	S.TAN F931V105MAABMA		B 107.7/65.1
C366	4550007650	S.TAN F931V105MAABMA		B 105.6/65.1
C367	4550007650	S.TAN F931V105MAABMA		B 103.5/65.1
C368	4550007650	S.TAN F931V105MAABMA		B 101.4/65.1
C369	4030011070	S.CER GRM31M2C2H5R0CY21L		T 15.3/81.1
C370	4030011040	S.CER GRM31M4C2H2R0CY21L	[High]	T 5.3/81.1
	4030011050	S.CER GRM31M3C2H3R0CY21L	[USA-01]	T 5.3/81.1
		[EXP-01], [EUR-01]	T	5.3/81.1
C371	4030017460	S.CER ECJ0EB1E102K		B 2.9/80.8
C372	4030006860	S.CER C1608 JB 1H 102K-T		B 8.3/79.6
C373	4030016790	S.CER ECJ0EB1C103K		B 130.6/51.7
C374	4030016930	S.CER ECJ0EB1A104K		B 132.8/51.3
C375	4030016930	S.CER ECJ0EB1A104K		B 132.4/54.6
C377	4030017460	S.CER ECJ0EB1E102K		T 104.7/52.9
C378	4030017460	S.CER ECJ0EB1E102K		B 105.1/80.9
C379	4030016930	S.CER ECJ0EB1A104K		B 110.5/84.5
C380	4030017460	S.CER ECJ0EB1E102K		T 120.9/85.3
C381	4030016790	S.CER ECJ0EB1C103K		B 135.9/70.5
C382	4510008680	S.ELE EEE1EA220SP		T 68.6/63.4
C383	4030017460	S.CER ECJ0EB1E102K		B 135.9/71.5
C3				

[MAIN UNIT] (For IC-F6060 series)

REF NO.	ORDER NO.	DESCRIPTION	M.	H/V LOCATION
C423	4030007080	S.CER C1608 CH 1H 390J-T	T	33.6/38.9
C424	4030016930	S.CER ECJ0EB1A104K	T	33.6/41.2
C425	4030017460	S.CER ECJ0EB1E102K	B	134.8/66.1
C426	4030011020	S.CER GRM31M4C2H1R0CY21L		
		Except [USA]	T	29.2/75.2
	4030011030	S.CER GRM31M4C2H1R5CY21L [USA]	T	29.2/75.2
C427	4030017340	S.CER ECJ0EC1H010B [High]	B	19.5/36.6
	4030017530	S.CER ECJ0EC1H0R5B [Low]	B	19.5/36.6
C428	4030018110	S.CER ECJ0EB1H272K	T	24.6/10.2
C429	4030016790	S.CER ECJ0EB1C103K	B	138.4/51
C430	4030018860	S.CER ECJ0EB0J105K	B	110.4/10.7
C431	4030017460	S.CER ECJ0EB1E102K	B	114.2/11.7
C432	4030017420	S.CER ECJ0EC1H470J	B	119.4/69.8
C433	4030017460	S.CER ECJ0EB1E102K	B	119.4/70.8
C435	4030016930	S.CER ECJ0EB1A104K	T	8.9/7.8
C436	4030016930	S.CER ECJ0EB1A104K	B	56/38.5
J1	6510025220	S.CNR AXK540145J	T	124.5/9.7
J2	6510025220	S.CNR AXK540145J	T	101.5/9.7
J3	6510021301	S.CNR 52365-1071	T	90.3/62.6
J5	6510023091	S.CNR 20FLT-SM2-TB (LF) (SN)	T	108.3/83.2
J7	6450000140	CNR HSJ0807-01-010		
J10	6510023091	S.CNR 20FLT-SM2-TB (LF) (SN)	T	71/7
W1	7120000470	JMP ERDS2T0		
W2	8900016250	CBL OPC-1701 <CMI>T/HI		
EP2	6910015370	S.BEA ACZ1005Y-102-T	B	60.4/28.3
EP3	6910015370	S.BEA ACZ1005Y-102-T	T	85.7/30
EP4	6910010280	BEA HF70BB9.5X10.4X4.9		
EP5	6910010280	BEA HF70BB9.5X10.4X4.9		
EP6	6910015370	S.BEA ACZ1005Y-102-T	T	79.6/41.5
EP7	6910011560	BEA HF70BB4.5X5X1.6		

[MAIN-A UNIT] (For IC-F6061D)

REF NO.	ORDER NO.	DESCRIPTION	M.	H/V LOCATION
IC1	1110005340	S.IC NJM12902V-TE1	T	82.3/12.9
IC2	1110006221	S.IC AK2346P-E2/P	B	44.7/11.7
IC3	1140013200	S.IC CD4053BPWR	B	58.7/9.3
IC4	1130010100	S.IC LMX2352TMX/NOBP	T	83.3/46
IC5	1110003491	S.IC TA31136FNG (D,EL)	T	28/13.9
IC6	1190001350	S.IC M62364FP 600D	B	84.9/12.9
IC7	1110005340	S.IC NJM12902V-TE1	T	107.3/43
IC8	1140013200	S.IC CD4053BPWR	B	58.7/16.1
IC9	1130012960	S.IC BU8872FS-E2	B	133.1/21.3
IC10	1190002051	S.IC SPM5001-TL-E	B	33.8/36.9
IC12	1190001340	S.IC M62334FP 600C	B	9.1/25.7
IC13	1110005771	S.IC S-80942CNMC-G9CT2G	B	126/44.8
IC14	1140014550	S.IC HD64F2506RFC26DV	B	111.8/35.7
IC15	1150002211	IC RA55H4047M-121		
IC16	1140014160	S.IC 24LC1025T-I/SM	B	133.3/29
IC17	1110002751	S.IC TA75S01F (TE85R,F)	B	55.8/66.7
IC18	1180000970	S.IC AN78L05M-(E1)	B	113/65.3
IC19	1120002510	S.IC DS14C232TM	T	104.7/69
IC20	1180001251	S.IC TA7808F (TE16L,Q)	B	121.5/65.8
IC21	1110003091	IC LA4425A-E		
IC22	1110002751	S.IC TA75S01F (TE85R,F)	B	135.5/54.4
IC23	1130006221	S.IC TC4W53FU (TE12L,F)	B	109.6/12.9
IC25	1110006230	S.IC NJM2711F-TE1	B	30.1/7.1
Q1	1590003230	S.TR UNR9113J-(TX)	B	16.5/6.1
Q3	1530002851	S.TR 2SC4116-BL (TE85R,F)	B	36.5/15.5
Q4	1590001650	S.TR XP4601 (TX)	B	92.8/12.4
Q5	1560000541	S.FET 2SK880-Y (T5RICOM,F)	B	81.3/41
Q6	1530002851	S.TR 2SC4116-BL (TE85R,F)	B	50.6/28.4
Q7	1560000541	S.FET 2SK880-Y (T5RICOM,F)	B	82.4/30.6
Q8	1530002851	S.TR 2SC4116-BL (TE85R,F)	B	79.3/37.8
Q9	1530002851	S.TR 2SC4116-BL (TE85R,F)	B	82.1/35.4
Q10	1560001360	S.FET 2SK3019 TL	B	76.5/45.2
Q12	1530002601	S.TR 2SC4215-O (TE85R,F)	T	26.8/19.2
Q16	1590003290	S.TR UNR9213J-(TX)	T	113.1/46.6
Q17	1530002920	S.TR 2SC4226-T1 R25	T	61.1/42.8
Q18	1530002920	S.TR 2SC4226-T1 R25	T	61.1/36.3
Q19	1530002920	S.TR 2SC4226-T1 R25	T	60.7/28.9
Q20	1590003230	S.TR UNR9113J-(TX)	B	34.1/24.9
Q22	1530003311	S.TR 2SC5107-O (TE85R,F)	T	56.7/33.6
Q23	1590001400	S.TR XP1214 (TX)	B	57.6/40.5
Q24	1590003290	S.TR UNR9213J-(TX)	B	55/40.5
Q25	1530003980	S.TR 2SC5700WB-TR-E	T	55.2/36.9
Q26	1590001400	S.TR XP1214 (TX)	B	56.6/33.5
Q27	1590003230	S.TR UNR9113J-(TX)	T	126.2/48.7
Q28	1590003290	S.TR UNR9213J-(TX)	B	123/46.1
Q29	1530003311	S.TR 2SC5107-O (TE85R,F)	T	50.8/35.5
Q30	1530003311	S.TR 2SC5107-O (TE85R,F)	B	64.3/62.9
Q31	1580000731	S.FET 3SK293 (TE85L,F)	B	9.5/38.8
Q32	1560000841	S.FET 2SK1829 (TE85R,F)	T	9.8/40.4
Q33	1530002851	S.TR 2SC4116-BL (TE85R,F)	B	47.3/66.2
Q34	1590003290	S.TR UNR9213J-(TX)	T	83/67.4
Q35	1520000460	S.TR 2SB1132 T100 R	T	100.1/57.9
Q36	1590001190	S.TR XP6501-(TX) .AB	T	104.3/55.8
Q37	1540000550	S.TR 2SD1664 T100Q	T	75.5/63.6
Q38	1510000920	S.TR 2SA1577 T106 Q	T	64.9/54.1
Q39	1590003290	S.TR UNR9213J-(TX)	T	68.5/54.8
Q40	1590003290	S.TR UNR9213J-(TX)	T	103/52.9
Q41	1590001451	S.FET 2SJ144-GR (TE85R,F)	B	114.7/85.7
Q42	1590003290	S.TR UNR9213J-(TX)	B	131.7/43.6
Q43	1590000990	S.TR DTC363EK T146	B	135.7/49
Q44	1590003290	S.TR UNR9213J-(TX)	T	108.9/20.3
Q45	1590003290	S.TR UNR9213J-(TX)	B	133.3/58.9
Q46	1590003290	S.TR UNR9213J-(TX)	T	119.2/85.6
Q47	1550000100	S.FET 2SJ377 (TE16L1,NQ)	B	131.3/71.5
Q48	1590003290	S.TR UNR9213J-(TX)	B	127.4/77.8
Q49	1530002851	S.TR 2SC4116-BL (TE85R,F)	B	138.7/37.1
Q50	1530002601	S.TR 2SC4215-O (TE85R,F)	T	40.2/39
Q51	1590003321	S.FET TPC6103 (TE85L,F)	B	133.6/63.4
Q52	1590003290	S.TR UNR9213J-(TX)	B	128.2/61.1
Q53	1530000372	S.TR 2SC3356-T1B R (R24)	B	68.4/68
Q54	1590003290	S.TR UNR9213J-(TX)	B	51.9/67.1
Q55	1560001360	S.FET 2SK3019 TL	T	74.1/20.3
Q56	1560001360	S.FET 2SK3019 TL	T	24.7/7.2
Q57	1590003290	S.TR UNR9213J-(TX)	T	111.1/13.4
Q58	1530002851	S.TR 2SC4116-BL (TE85R,F)	B	27/10.8
Q59	1590003290	S.TR UNR9213J-(TX)	B	96.1/10
Q60	1590003290	S.TR UNR9213J-(TX)	B	96.1/12.3
D1	1750001070	S.DIO DAN235ETL	T	8.8/14.9
D2	1750001070	S.DIO DAN235ETL	T	22.5/7.7
D4	1790001260	S.DIO MA2S077-(TX)	T	52.5/43.6
D5	1790001260	S.DIO MA2S077-(TX)	T	52.5/41
D6	1750001070	S.DIO DAN235ETL	T	29.2/20.9
D7	1160000140	S.DIO DAP222 TL	T	59/13.8
D8	1750000711	S.VCP HVC350BTRF-E	T	68.2/42.7
D9	1750001150	S.VCP HVC383BTRF-E	T	70.5/44.7
D10	1750000711	S.VCP HVC350BTRF-E	T	68.2/36.2
D11	1750001150	S.VCP HVC383BTRF-E	T	70.5/38.2
D12	1750000711	S.VCP HVC350BTRF-E	T	68.2/29.7
D13	1750001150	S.VCP HVC383BTRF-E	T	70.5/31.7
D14	1720000570	S.VCP MA368 (TX)	T	65.8/33.3
D15	1750000711	S.VCP HVC350BTRF-E	B	5.5/43.5
D16	1750000711	S.VCP HVC350BTRF-E	B	6.8/43.5
D17	1750000711	S.VCP HVC350BTRF-E	B	6.8/50.1
D18	1750000711	S.VCP HVC350BTRF-E	B	5.5/50.1
D19	1160000140	S.DIO DAP222 TL	B	120.3/17.6
D21	1750001070	S.DIO DAN235ETL	T	31.9/37.5
D22	1750000520	S.DIO DAN222TL	T	125.4/51
D23	1790001260	S.DIO MA2S077-(TX)	T	125/38.9
D24	1750000581	S.DIO 1SV307 (TPH3,F)	B	50.8/47.1
D25	1790001260	S.DIO MA2S077-(TX)	B	48.3/46

[Low]=[USA-01], [EXP-01], [EUR-01], [USA-03], [EXP-03], [EUR-03]
[High]=[USA-02], [EXP-02]

M.=Mounted side (T: Mounted on the Top side, B: Mounted on the Bottom side)
S.=Surface mount

[MAIN-A UNIT] (For IC-F6061D)

REF NO.	ORDER NO.	DESCRIPTION	M.	H/V LOCATION
D26	1750000711	S.VCP HVC350BTRF-E	B	14.1/36.1
D27	1750000711	S.VCP HVC350BTRF-E	B	10.7/34.4
D30	1750000711	S.VCP HVC350BTRF-E	B	18.3/36.2
D31	1790001250	S.DIO MA2S111-(TX)	T	6.2/42.2
D35	1790001260	S.DIO MA2S077-(TX)	B	20/50.9
D36	1790001240	S.DIO MA2S728-(TX)	B	11.9/50.8
D37	1750000370	S.DIO DA221 TL	T	75.2/68
D39	1710001061	DIO L407CDB		
D42	1750001360	S.DIO L709CER (9401)	T	26.5/58
D45	1750000520	S.DIO DAN222TL	T	91.8/57.5
D46	1750000520	S.DIO DAN222TL	T	89.6/57.5
D47	1790001211	S.DIO 1SS375-TL-E	B	37.7/61.7
D48	1750000520	S.DIO DAN222TL	B	95.5/55.5
D49	1790000660	S.DIO MA728 (TX)	B	8.9/57.1
D50	1750000370	S.DIO DA221 TL	B	98.8/66.5
D51	1790000660	S.DIO MA728 (TX)	B	5.2/79.3
D52	1750000520	S.DIO DAN222TL	B	132.6/40.8
D53	1790001250	S.DIO MA2S111-(TX)	B	133.3/47.3
D55	1750000370	S.DIO DA221 TL	B	98.8/63
D56	1750000370	S.DIO DA221 TL	B	96.7/63
D57	1750000370	S.DIO DA221 TL	B	96.7/66.5
D58	1750000520	S.DIO DAN222TL	B	101.2/83.1
D59	1750000520	S.DIO DAN222TL	B	101.2/81
D62	1790000700	DIO DSA3A1		
D63	1750000520	S.DIO DAN222TL	B	112.3/82.2
D65	1750000520	S.DIO DAN222TL	B	129.7/58.9
D66	1790001621	S.DIO 1SV308 (TPL3,F)	T	29.5/36.7
D67	1790001621	S.DIO 1SV308 (TPL3,F)	T	34.3/36.7
D68	1790001621	S.DIO 1SV308 (TPL3,F)	T	28.7/23.3
D69	1790001621	S.DIO 1SV308 (TPL3,F)	T	30/23.3
D70	1730002410	S.ZEN MA8200-H (TX)	T	120/83.6
D71	1750000520	S.DIO DAN222TL	B	94.6/62.3
D72	1750000520	S.DIO DAN222TL	B	94.8/59.1
F11	2020002500	CER LT450GW <JJE>		
F12	2020002510	CER LTW450HT <JJE>		
F13	2030000500	S.MLH FL-401 (46.35 MHz)	T	24.7/28.5
F14	2030000670	S.MLH FL-420 (46.35 MHz)	T	35.6/28.4
F15	2040001440	S.LC NFE31PT15Z1E9L	B	94.5/77
F16	2040001440	S.LC NFE31PT15Z1E9L	B	94.5/73.7
F17	2040001440	S.LC NFE31PT15Z1E9L	B	94.5/70.4
X1	6050012380	S.XTL CR-826 (15.3 MHz)	T	86.1/34.6
X2	6050011730	S.XTL CR-765 (3.6864 MHz)	T	48.6/12
X3	6070000300	S.DCR JTBM450CX24 <JJE>	T	37.1/10.3
X4	6050012320	S.XTL CR-818 (4.194304 MHz)	T	139.1/21.9
X5	6050011720	S.XTL CR-764 (19.6608 MHz)	T	120.4/44.4
L1	6200004660	S.COL MLF1608A 1R8K-T	B	80.7/52.1
L2	6200003540	S.COL MLF1608D R22K-T	B	34.4/14.7
L3	6200004480	S.COL MLF1608D R22K-T	B	29.6/16.2
L4	6200005671	S.COL ELJURE 12NGFA	T	54.4/43.9
L5	6200004741	S.COL NLV25T-1R2J	T	72.9/43.5
L6	6200004741	S.COL NLV25T-1R2J	T	70.4/41
L7	6200004741	S.COL NLV25T-1R2J	T	72.9/37
L8	6200004741	S.COL NLV25T-1R2J	T	72.9/30.5
L9	6200004741	S.COL NLV25T-1R2J	T	70.4/28
L10	6200012970	S.COL 0.30-0.91-4TR 8.6N	T	67.1/44.7
L12	6200012970	S.COL 0.30-0.91-4TR 8.6N	T	67.1/38.2
L13	6200004741	S.COL NLV25T-1R2J	T	70.4/34.5
L15	6200012390	S.COL 0.30-0.92-3TR 5.8N	T	67.1/31.4
L16	6200010030	S.COL C2012C-15NG-A	B	21.1/35.6
L17	6200004741	S.COL NLV25T-1R2J	T	57.7/30
L18	6130003000	S.COL #617DB-1714=P3	B	39/36.2
L19	6130003000	S.COL #617DB-1714=P3	B	34.5/42.6
L20	6200005721	S.COL ELJURE 33NGFA	T	54.2/32.6
L21	6200005671	S.COL ELJURE 12NGFA	T	54.4/39.1
L22	6200005711	S.COL ELJURE 27NGFA	B	40.2/46
L23	6200005711	S.COL ELJURE 27NGFA	B	42.9/46
L24	6130003000	S.COL #617DB-1714=P3	B	27/36.2
L25	6200005711	S.COL ELJURE 27NGFA	T	50/38.4
L26	6200010030	S.COL C2012C-15NG-A	B	15.9/35.6
L27	6200005711	S.COL ELJURE 27NGFA	B	65.2/65.4
L28	6200010030	S.COL C2012C-15NG-A	B	7/36.7
L29	6200005641	S.COL ELJURE 6N8ZFA	B	73.5/69
L30	6200005691	S.COL ELJURE 18NGFA	T	73.5/73.7
L31	6200010210	S.COL C2012C-22NG-A	B	9.2/44.8
L32	6200010210	S.COL C2012C-22NG-A	B	9.2/48.8
L33	6200010150	S.COL AS080340-15N	T	32.6/75.2
L34	6200010100	S.COL C2012C-33NG-A	B	13.7/50
L35	6200005691	S.COL ELJURE 18NGFA	B	23/50.7
L36	6200010420	S.COL FHW1210HC 1R0JGT	B	31.2/68
L37	6200010150	S.COL AS080340-15N	T	30.3/58.1
L38	6200010150	S.COL AS080340-15N	T	22.2/58.3
L39	6200010150	S.COL AS080340-15N	T	14.3/60.3
L40	6200010150	S.COL AS080340-15N	T	10.3/82.4
L41	6200002861	S.COL NLV25T-4R7J	T	111.3/55.1
L42	6200005011	S.COL NLV25T-100J	T	40.1/41.6
L43	6200010680	S.COL C2520C-R22G-A (0.22U)	T	41.2/35.1
L44	6200010740	S.COL C2520C-R27G-A	T	35.9/39.5
L45	6200010150	S.COL AS080340-15N	T	6.4/58.3
L46	6200005711	S.COL ELJURE 27NGFA	B	71.1/68.8
L49	6200004480	S.COL MLF1608D R22K-T	T	23.3/19.4
R1	7030005060	S.RES ERJ2GEJ 333 X (33 k)	B	38.6/6
R2	7510001730	S.TMR ERTJOEP 473J	T	89.3/32.2
R3	7030005050	S.RES ERJ2GEJ 103 X (10 k)	T	78.5/11.6
R4	7030005230	S.RES ERJ2GEJ 334 X (330 k)	B	88.8/18.5
R5	7030005090	S.RES ERJ2GEJ 104 X (100 k)	T	89.8/33.5
R6	7030005700	S.RES ERJ2GEJ 274 X (270 k)	T	87.7/19.4
R7	7030005230	S.RES ERJ2GEJ 334 X (330 k)	T	84.3/17.5
R8	7410001130	S.ARY EXB28V102JX	T	86.9/52.4
R9	7030007570	S.RES ERJ2GEJ 122 X (1.2 k)	B	35.4/11.4
R10	7030007060	S.RES ERJ2GEJ 684X (680 k)	B	35.8/13.7
R11	7030010040	S.RES ERJ2GEJ-JPW	T	9.3/12.9
R12	7030004970	S.RES ERJ2GEJ 470 X (47 k)	T	34.1/6.4
R13	7030007340	S.RES ERJ2GEJ 153 X (15 k)	T	8.9/16.5
R14	7030007340	S.RES ERJ2GEJ 153 X (15 k)	T	9.3/9.3
R15	7030005070	S.RES ERJ2GEJ 683 X (68 k)	B	93.3/14.4
R17	7030007570	S.RES ERJ2GEJ 122 X (1.2 k)	B	93.3/15.3
R18	7030008300	S.RES ERJ2GEJ 184 X (180 k)	B	81.5/7.3
R19	7030005230	S.RES ERJ2GEJ 334 X (330 k)	T	86.3/9.9
R20	7030005090	S.RES ERJ2GEJ 104 X (100 k)	T	77.9/8.2
R21	7030005070	S.RES ERJ2GEJ 683 X (68 k)	T	88.5/8.9
R22	7030005050	S.RES ERJ2GEJ 103 X (10 k)	B	38.6/7.7
R23	7030005050	S.RES ERJ2GEJ 103 X (10 k)	B	38.6/9.4
R24	7030005060	S.RES ERJ2GEJ 333 X (33 k)	B	37.7/10.7
R25	7030005120	S.RES ERJ2GEJ 102 X (1 k)	B	101/51.6
R26	7030004980	S.RES ERJ2GEJ 101 X (100 k)	B	96/5.4
R27	7030007300	S.RES ERJ2GEJ 332 X (3.3 k)	T	53.9/5.6
R28	7030010040	S.RES ERJ2GEJ-JPW	T	59.6/5.4
R29	7030005530	S.RES ERJ2GEJ 100 X (3.3 k)	T	114.5/10.2
R30	7030005170	S.RES ERJ2GEJ 474 X (470 k)	B	37.7/9.4
R31	7030008410	S.RES ERJ2GEJ 392 X (3.9 k)	B	36.8/9
R32	7030007340	S.RES ERJ2GEJ 153 X (15 k)	B	37.7/7.7
R33	7030005160	S.RES ERJ2GEJ 105 X (1 M)	T	81/8.4
R34	7030005040	S.RES ERJ2GEJ 472 X (4.7 k)	T	79/10
R35	7030005120	S.RES ERJ2GEJ 102 X (1 k)	T	81.5/7.2
R36	7030007270	S.RES ERJ2GEJ 151 X (150 k)	B	25.8/14.4
R37	7030005210	S.RES ERJ2GEJ 822 X (8.2 k)	B	15/7.3
R38	7030007340	S.RES ERJ2GEJ 153 X (15 k)	T	22.9/7.7
R39	7030007340	S.RES ERJ2GEJ 153 X (15 k)	T	22.3/9.3
R40	7030005240	S.RES ERJ2GEJ 473 X (47 k)	T	26.9/10.6
R41	7030007290	S.RES ERJ2GEJ 222 X (2.2 k)	T	26.6/5.5
R42	7030005090	S.RES ERJ2GEJ 104 X (100 k)	B	94.6/11.8
R43	7030007300	S.RES ERJ2GEJ 332 X (3.3 k)	B	94.6/10
R44	7030007340	S.RES ERJ2GEJ 153 X (15 k)	B	90.8/12.9
R45	7030005220	S.RES ERJ2GEJ 223 X (22 k)	B	91.6/10
R46	7030005040	S.RES ERJ2GEJ 472 X (4.7 k)	T	90.5/13.7
R47	7030005050	S.RES ERJ2GEJ 103 X (10 k)	T	90.9/12.7
R48	7030005060	S.RES ERJ2GEJ 333 X (33 k)	B	51.1/8.1
R49	7030005160	S.RES ERJ2GEJ 105 X (1 M)	B	49.9/13.6
R50	7030005090	S.RES ERJ2GEJ 104 X (100 k)	B	49.9/11
R51	7030005290	S.RES ERJ2GEJ 682 X (6.8 k)	T	52.6/8.6
R52	7030007340	S.RES ERJ2GEJ 153 X (15 k)	T	63.3/12.6
R53	7030005000	S.RES ERJ2GEJ 471 X (470 k)	T	84.4/38.2
R54	7030005120	S.RES ERJ2GEJ 102 X (1 k)	B	81.3/43.4
R55	7030007290	S.RES ERJ2GEJ 222 X (2.2 k)	B	83.5/26.5
R56	7030004980	S.RES ERJ2GEJ 101 X (100 k)	B	81.6/39.1
R57	7030005090	S.RES ERJ2GEJ 104 X (100 k)	B	28/14.3
R58	7030004980	S.RES ERJ2GEJ 101 X (100 k)	T	27/8.2
R59	7030008290	S.RES ERJ2GEJ 183 X (18 k)	T	27/7.3
R60	7030005000	S.RES ERJ2GEJ 471 X (470 k)	T	30.9/9.7
R61	7030005040	S.RES ERJ2GEJ 472 X (4.7 k)	T	28.4/8.5
R63	7030005220	S.RES ERJ2GEJ 223 X (22 k)	B	91.6/8.3
R64	7030005220	S.RES ERJ2GEJ 223 X (22 k)	B	91.6/6.6
R65	7030005090	S.RES ERJ2GEJ 104 X (100 k)	B	51.1/9
R67	7030005290	S.RES ERJ2GEJ 682 X (6.8 k)	T	53.5/8.6
R68	7030007290	S.RES ERJ2GEJ 222 X (2.2 k)	B	53.7/17.7
R69	7030010040	S.RES ERJ2GEJ-JPW	T	85.6/16.8
R71	7030005090	S.RES ERJ2GEJ 104 X (100 k)	T	54.5/8.6
R72	7030007290	S.RES ERJ2GEJ 222 X (2.2 k)	B	50.9/30.7
R73	7030004980	S.RES ERJ2GEJ 101 X (100 k)	B	80.3/29.2
R74	7030007570	S.RES ERJ2GEJ 122 X (1.2 k)	B	83.1/27.8
R75	7030005290	S.RES ERJ2GEJ 682 X (6.8 k)	B	82.6/42.4
R76	7030005050	S.RES ERJ2GEJ 103 X (10 k)	B	82.4/33
R77	7030005580	S.RES ERJ2GEJ 560 X (56 k)	B	83.2/48
R78	7030005220	S.RES ERJ2GEJ 223 X (22 k)	B	81.6/37.3
R79	7030007340	S.RES ERJ2GEJ 153 X (15 k)	T	51.1/42.8
R80	7030007340	S.RES ERJ2GEJ 153 X (15 k)	T	51.1/41.8
R81	7030005090	S.RES ERJ2GEJ 104 X (100 k)	B	74.9/45.2
R82	7030005110	S.RES ERJ2GEJ 224 X (220 k)	B	71.7/27.3
R83	7030008400	S.RES ERJ2GEJ 182 X (1.8 k)	T	32.4/10.6
R85	7030005110	S.RES ERJ2GEJ 224 X (220 k)	T	25/19.2
R87	7030007300	S.RES ERJ2GEJ 332 X (3.3 k)	T	30.5/19.3
R88	7030005120	S.RES ERJ2GEJ 102 X (1 k)	B	90.7/6.6
R90	7030005000	S.RES ERJ2GEJ 471 X (470 k)	B	89.8/18.5
R91	7030005230	S.RES ERJ2GEJ 334 X (330 k)	T	86.4/12.8
R93	7030005310	S.RES ERJ2GEJ 124 X (120 k)	T	83.9/8.4
R94	7030005080	S.RES ERJ2GEJ 823 X (82 k)	T	106.7/36.7
R95	7030005720	S.RES ERJ2GEJ 563 X (56 k)	T	106.3/35.7
R96	7030005240	S.RES ERJ2GEJ 473 X (47 k)	B	63.7/15.1
R97	7030005060	S.RES ERJ2GEJ 333 X (33 k)	B	52.2/12.7
R98	7030005030	S.RES ERJ2GEJ 152 X (15 k)	B	63.7/18.9
R99	7030005240	S.RES ERJ2GEJ 473 X (47 k)	B	63.7/18
R100	7030005800	S.RES RR0510P-102-D (1 k)	B	84.4/32.4
R101	7030007280	S.RES ERJ2GEJ 331 X (330 k)	B	80.1/39.9
R102	7030005530	S.RES ERJ2GEJ 100 X (10 k)	T	23/21.3
R103	7030005600	S.RES ERJ2GEJ 273 X (27 k)	T	28.7/25.5
R104	7030007280	S.RES ERJ2GEJ 331 X (330 k)	T	25/22.5
R105	7030005600	S.RES ERJ2GEJ 273 X (27 k)	B	32.4/24.2
R106	7030007270	S.RES ERJ2GEJ 151 X (150 k)	T	33.9/22.5
R108	7030005240	S.RES ERJ2GEJ 473 X (47 k)	B	81.9/18.9
R109	7030005700	S.RES ERJ2GEJ 274 X (270 k)	B	81/18.9
R110	7030005050	S.RES ERJ2GEJ 103 X (10 k)	T	78.4/20.8
R111	7030005050	S.RES ERJ2GEJ 103 X (10 k)	T	96.2/28.5
R112	7030005700	S.RES ERJ2GEJ 274 X (270 k)	T	81.7/20.2
R113	7			

[MAIN-A UNIT] (For IC-F6061D)

REF NO.	ORDER NO.	DESCRIPTION	M.	H/V LOCATION
R122	7030005600	S.RES ERJ2GEJ 273 X (27 k)	T	28.8/35.2
R123	7030005600	S.RES ERJ2GEJ 273 X (27 k)	T	34.1/35.2
R125	7030007270	S.RES ERJ2GEJ 151 X (150)	T	36.4/34.4
R127	7030005050	S.RES ERJ2GEJ 103 X (10 k)	B	78.2/18.7
R128	7030005240	S.RES ERJ2GEJ 473 X (47 k)	T	111.5/45.4
R129	7030005040	S.RES ERJ2GEJ 472 X (4.7 k)	T	111.1/44.5
R130	7030005070	S.RES ERJ2GEJ 683 X (68 k)	T	103.5/41.8
R131	7030005070	S.RES ERJ2GEJ 683 X (68 k)	T	103.5/43.6
R132	7030004980	S.RES ERJ2GEJ 101 X (100)	T	113.8/16.5
R133	7030005090	S.RES ERJ2GEJ 104 X (100 k)	T	109.6/11.8
R134	7030005160	S.RES ERJ2GEJ 105 X (1 M)	T	129.8/25.5
R135	7030005160	S.RES ERJ2GEJ 105 X (1 M)	T	129.8/24.2
R136	7030005160	S.RES ERJ2GEJ 105 X (1 M)	T	129.8/22.9
R138	7030005530	S.RES ERJ2GEJ 100 X (10)	T	63.8/31.3
R139	7410001140	S.ARY EXB28V104JX	T	133.8/19.8
R140	7030006020	S.RES RR0510P-682-D (6.8 k)	T	62.9/44.3
R141	7030006020	S.RES RR0510P-682-D (6.8 k)	T	62.9/42.6
R143	7030006020	S.RES RR0510P-682-D (6.8 k)	T	62.9/37.8
R144	7030006020	S.RES RR0510P-682-D (6.8 k)	T	62.9/36.1
R146	7030006020	S.RES RR0510P-682-D (6.8 k)	T	62.9/31.3
R147	7030006020	S.RES RR0510P-682-D (6.8 k)	T	62.9/29.6
R148	7030009320	S.RES ERJ2GEJ 47 X (4.7)	T	61.6/30.9
R149	7030005110	S.RES ERJ2GEJ 224 X (220 k)	B	65.1/32.6
R150	7030008290	S.RES ERJ2GEJ 183 X (18 k)	B	79.2/28.2
R151	7030005220	S.RES ERJ2GEJ 223 X (22 k)	B	80.5/27.8
R152	7030005090	S.RES ERJ2GEJ 104 X (100 k)	B	81.8/28.2
R153	7030007300	S.RES ERJ2GEJ 332 X (3.3 k)	T	36.4/42.1
R154	7030004970	S.RES ERJ2GEJ 470 X (47)	T	42.9/40
R155	7030007290	S.RES ERJ2GEJ 222 X (2.2 k)	T	39.9/33
R156	7030004970	S.RES ERJ2GEJ 470 X (47)	T	42.3/41.2
R157	7030005090	S.RES ERJ2GEJ 104 X (100 k)	B	30.1/24.9
R158	7030005240	S.RES ERJ2GEJ 473 X (47 k)	T	111.1/42.7
R159	7030005240	S.RES ERJ2GEJ 473 X (47 k)	T	111.5/40.9
R160	7030005240	S.RES ERJ2GEJ 473 X (47 k)	T	113.7/39.9
R161	7030005070	S.RES ERJ2GEJ 683 X (68 k)	T	105.4/48.4
R162	7030005240	S.RES ERJ2GEJ 473 X (47 k)	T	127.8/16.3
R163	7030005240	S.RES ERJ2GEJ 473 X (47 k)	T	128.7/17.2
R164	7030005240	S.RES ERJ2GEJ 473 X (47 k)	T	129.6/16.3
R165	7030005230	S.RES ERJ2GEJ 334 X (330 k)	T	129.8/37.4
R166	7030005230	S.RES ERJ2GEJ 334 X (330 k)	T	129.8/20.3
R167	7030005230	S.RES ERJ2GEJ 334 X (330 k)	T	129.8/19
R168	7030011180	S.RES RR0510P-391-D (390)	B	58.5/42.6
R169	7030009280	S.RES ERJ2GEJ 391 X	B	[USA-03], [USA-01] only 58.5/38.4
R170	7030009820	S.RES RR0510P-681-D (680)	B	55.7/31.5
R171	7030005310	S.RES ERJ2GEJ 124 X (120 k)	T	57/31.8
R172	7030008280	S.RES ERJ2GEJ 271 X (270)	B	37.5/44.6
R173	7030007270	S.RES ERJ2GEJ 151 X (150)	B	40/32.8
R176	7030005590	S.RES ERJ2GEJ 680 X (68)	B	31.3/37.4
R177	7030005590	S.RES ERJ2GEJ 680 X (68)	B	31.3/35
R178	7030005240	S.RES ERJ2GEJ 473 X (47 k)	T	113.7/38.9
R179	7030008300	S.RES ERJ2GEJ 184 X (180 k)	T	117.1/34.6
R180	7030005720	S.RES ERJ2GEJ 563 X (56 k)	T	117.5/35.6
R181	7030005220	S.RES ERJ2GEJ 223 X (22 k)	T	117.1/36.6
R182	7030005120	S.RES ERJ2GEJ 102 X (1 k)	T	117.5/33.6
R183	7030005070	S.RES ERJ2GEJ 683 X (68 k)	T	103.7/48.4
R184	7030005220	S.RES ERJ2GEJ 223 X (22 k)	T	115.4/36.6
R185	7030005070	S.RES ERJ2GEJ 683 X (68 k)	B	102.3/45.6
R186	7030005160	S.RES ERJ2GEJ 105 X (1 M)	T	81.3/19.3
R187	7030005060	S.RES ERJ2GEJ 333 X (33 k)	T	81.3/17.5
R188	7030005090	S.RES ERJ2GEJ 104 X (100 k)	T	78.9/14.6
R189	7030005720	S.RES ERJ2GEJ 563 X (56 k)	T	78.5/15.8
R190	7030005080	S.RES ERJ2GEJ 823 X (82 k)	T	80.9/18.4
R191	7030004980	S.RES ERJ2GEJ 101 X (100)	T	54.2/30.4
R192	7030004980	S.RES ERJ2GEJ 101 X (100)	B	52.6/35.9
R193	7030005050	S.RES ERJ2GEJ 103 X (10 k)	B	57.5/31.5
R194	7030005110	S.RES ERJ2GEJ 224 X (220 k)	T	53.5/36.7
R195	7030007260	S.RES ERJ2GEJ 330 X (33)	T	51/33.4
R196	7030005050	S.RES ERJ2GEJ 103 X (10 k)	B	56.8/35.3
R197	7030005050	S.RES ERJ2GEJ 103 X (10 k)	B	55/38.5
R198	7030010090	S.RES ERJ2GEJ 180 X (18)	B	38/46
R199	7030008280	S.RES ERJ2GEJ 271 X (270)	B	38.5/44.6
R200	7030005050	S.RES ERJ2GEJ 103 X (10 k)	B	8.4/20.6
R201	7410001130	S.ARY EXB28V102JX	B	117/51.7
R202	7030005090	S.RES ERJ2GEJ 104 X (100 k)	T	127.1/46.7
R203	7030005120	S.RES ERJ2GEJ 102 X (1 k)	B	126.7/42.2
R204	7410000750	S.ARY EXB-V4V 104JV (100 k)	B	129.6/43.4
R205	7030008010	S.RES ERJ2GEJ 123 X (12 k)	T	126.2/39.2
R206	7030005120	S.RES ERJ2GEJ 102 X (1 k)	B	128.7/37.1
R207	7030005050	S.RES ERJ2GEJ 103 X (10 k)	T	120.3/37
R208	7030005050	S.RES ERJ2GEJ 103 X (10 k)	T	121/37.7
R209	7410001130	S.ARY EXB28V102JX	B	128.6/39.5
R210	7030008010	S.RES ERJ2GEJ 123 X (12 k)	T	123.6/37.9
R211	7030008010	S.RES ERJ2GEJ 123 X (12 k)	T	125.5/40.8
R212	7030005160	S.RES ERJ2GEJ 105 X (1 M)	T	121.7/40.8
R213	7030005070	S.RES ERJ2GEJ 683 X (68 k)	T	49/35
R214	7030004980	S.RES ERJ2GEJ 101 X (100)	T	49/35
R215	7030005050	S.RES ERJ2GEJ 103 X (10 k)	B	48.8/51.4
R216	7030004980	S.RES ERJ2GEJ 101 X (100)	B	49.8/49.7
R218	7030010040	S.RES ERJ2GEJ-JPW	T	53.5/34.9
R219	7030005050	S.RES ERJ2GEJ 103 X (10 k)	B	46.8/44.6
R220	7030005040	S.RES ERJ2GEJ 472 X (4.7 k)	B	49.7/44.8
R221	7030004980	S.RES ERJ2GEJ 101 X (100)	B	46.8/42.9
R222	7030005110	S.RES ERJ2GEJ 224 X (220 k)	B	13.5/33.1
R223	7030005110	S.RES ERJ2GEJ 224 X (220 k)	B	10.7/33.1
R224	7030005050	S.RES ERJ2GEJ 103 X (10 k)	B	10.7/31.4
R225	7030005000	S.RES ERJ2GEJ 471 X (470)	B	8/19.2
R226	7030004980	S.RES ERJ2GEJ 101 X (100)	T	110/51.7
R227	7030005090	S.RES ERJ2GEJ 104 X (100 k)	B	106.6/50.3
R228	7410001140	S.ARY EXB28V104JX	T	107.1/50.6
R230	7030005050	S.RES ERJ2GEJ 103 X (10 k)	B	124.7/42.7
R232	7030005530	S.RES ERJ2GEJ 100 X (10)	T	120/40.8
R233	7410000750	S.ARY EXB-V4V 104JV (100 k)	T	130.1/33.2
R234	7410001130	S.ARY EXB28V102JX	B	128.9/33.4

[Low]=[USA-01], [EXP-01], [EUR-01], [USA-03], [EXP-03], [EUR-03]
[High]=[USA-02], [EXP-02]

[MAIN-A UNIT] (For IC-F6061D)

REF NO.	ORDER NO.	DESCRIPTION	M.	H/V LOCATION
R235	7030005600	S.RES ERJ2GEJ 273 X (27 k)	B	69.9/69.4
R236	7030004970	S.RES ERJ2GEJ 470 X (47)	B	67.7/70.5
R238	7030004980	S.RES ERJ2GEJ 101 X (100)	B	63.6/66.2
R240	7030005090	S.RES ERJ2GEJ 104 X (100 k)	B	6.4/1/65
R242	7030005530	S.RES ERJ2GEJ 100 X (10)	B	6.5/34.4
R243	7030009320	S.RES ERJ2GEJ 47 X (4.7)	B	13.4/42.4
R244	7030005120	S.RES ERJ2GEJ 102 X (1 k)	B	[USA-03], [USA-01] only 8.6/35.7
R245	7030005530	S.RES ERJ2GEJ 100 X (10)	B	11.7/38.2
R246	7030005090	S.RES ERJ2GEJ 104 X (100 k)	B	11.3/41.5
R247	7030005710	S.RES ERJ2GEJ 121 X (120)	B	7.3/41.2
R248	7410001130	S.ARY EXB28V102JX	B	103.9/47.9
R249	7410001130	S.ARY EXB28V102JX	B	123.6/27.2
R250	7410001130	S.ARY EXB28V102JX	B	121.9/25.3
R251	7410001140	S.ARY EXB28V104JX	T	124.2/27.9
R252	7410001140	S.ARY EXB28V104JX	T	122.1/25.7
R253	7030008290	S.RES ERJ2GEJ 183 X (18 k)	T	11.8/40.8
R254	7030005110	S.RES ERJ2GEJ 224 X (220 k)	T	7.3/41
R255	7030005240	S.RES ERJ2GEJ 473 X (47 k)	B	9/41.9
R257	7030008400	S.RES ERJ2GEJ 182 X (1.8 k)	T	7.3/39.7
R258	7030005170	S.RES ERJ2GEJ 474 X (470 k)	T	8.4/42.2
R259	7030005090	S.RES ERJ2GEJ 104 X (100 k)	B	5.4/45.6
R260	7030005090	S.RES ERJ2GEJ 104 X (100 k)	B	5.4/48
R261	7410001130	S.ARY EXB28V102JX	B	99.7/43.5
R262	7410001130	S.ARY EXB28V102JX	T	100.5/37
R263	7410001130	S.ARY EXB28V102JX	B	97/40.7
R264	7410000750	S.ARY EXB-V4V 104JV (100 k)	T	103.2/35.4
R265	7030007340	S.RES ERJ2GEJ 153 X (15 k)	T	87.7/31
R266	7410001130	S.ARY EXB28V102JX	B	120.1/23.5
R267	7410001130	S.ARY EXB28V102JX	B	118.3/21.7
R268	7410001130	S.ARY EXB28V102JX	B	116.5/19.9
R269	7030005090	S.RES ERJ2GEJ 104 X (100 k)	T	118.6/20.6
R270	7030007340	S.RES ERJ2GEJ 153 X (15 k)	T	88.6/34.2
R271	7030007270	S.RES ERJ2GEJ 151 X (150)	T	73/71.8
R272	7030007280	S.RES ERJ2GEJ 331 X (330)	T	61/76.7
R273	7030005050	S.RES ERJ2GEJ 103 X (10 k)	T	63.6/76.2
R274	7030004980	S.RES ERJ2GEJ 101 X (100)	B	57.9/68.9
R277	7030005050	S.RES ERJ2GEJ 103 X (10 k)	B	4.1/46.5
R278	7030005050	S.RES ERJ2GEJ 103 X (10 k)	B	126.6/28.8
R279	7030005090	S.RES ERJ2GEJ 104 X (100 k)	B	127.6/28.8
R280	7410001130	S.ARY EXB28V102JX	B	95.2/38.9
R281	7030005090	S.RES ERJ2GEJ 104 X (100 k)	T	93.8/48.9
R282	7410000750	S.ARY EXB-V4V 104JV (100 k)	T	91.6/49.5
R283	7410001130	S.ARY EXB28V102JX	B	104.7/22.2
R284	7030005120	S.RES ERJ2GEJ 102 X (1 k)	T	111.3/25.3
R285	7410001130	S.ARY EXB28V102JX	B	107.1/19.9
R286	7410001140	S.ARY EXB28V104JX	T	120.5/21.8
R287	7030004990	S.RES ERJ2GEJ 221 X (220)	B	57.6/64.5
R288	7030005100	S.RES ERJ2GEJ 154 X (150 k)	B	55.8/68.9
R289	7030008300	S.RES ERJ2GEJ 184 X (180 k)	B	44.3/65
R290	7520000260	S.POS PRF18BB471QB1RB	T	33.7/66.7
R291	7030005120	S.RES ERJ2GEJ 102 X (1 k)	T	107.2/21.1
R292	7030006070	S.RES ERJ2GEJ 101 X (100)	B	36.9/68
R293	7030005110	S.RES ERJ2GEJ 224 X (220 k)	B	50.5/65.7
R294	7030005050	S.RES ERJ2GEJ 103 X (10 k)	B	53.1/70.1
R295	7030005110	S.RES ERJ2GEJ 224 X (220 k)	B	54.2/64.5
R296	7030005040	S.RES ERJ2GEJ 472 X (4.7 k)	B	50/68.9
R297	7030008010	S.RES ERJ2GEJ 123 X (12 k)	B	51.8/70.2
R298	7030006610	S.RES ERJ2GEJ 394 X (390 k)	B	49.2/66.1
R299	7030005110	S.RES ERJ2GEJ 224 X (220 k)	B	18.3/33.1
R300	7030005050	S.RES ERJ2GEJ 103 X (10 k)	B	99.9/59.6
R301	7030007290	S.RES ERJ2GEJ 222 X (2.2 k)	T	106.7/55
R302	7030000440	S.RES MCR10EZJH 3.3 k	T	79.1/64.4
R303	7030000440	S.RES MCR10EZJH 3.3 k	T	81.1/64.4
R304	7030000440	S.RES MCR10EZJH 3.3 k	T	83.1/64.4
R305	7030005050	S.RES ERJ2GEJ 103 X (10 k)	T	66.9/54.1
R306	7030005040	S.RES ERJ2GEJ 472 X (4.7 k)	T	68.1/53.2
R307	7030005050	S.RES ERJ2GEJ 103 X (10 k)	B	35.4/61.7
R308	7410001130	S.ARY EXB28V102JX	T	102.3/63.8
R309	7030005070	S.RES ERJ2GEJ 683 X (68 k)	T	94.9/5.4
R310	7030004980	S.RES ERJ2GEJ 101 X (100)	B	109.1/62.5
R311	7030000260	S.RES MCR10EZJH 100 (101)	B	16/79.4
R312	7030005700	S.RES ERJ2GEJ 274 X (270 k)	B	41/61.1
R313	7030003320	S.RES ERJ3GEYJ 101 V (100)	B	11.2/58
R314	7030007340	S.RES ERJ2GEJ 153 X (15 k)	B	10/55.3
R315	7030000220	S.RES MCR10EZJH 47 (470)	B	3/61.6
R316	7030005170	S.RES ERJ2GEJ 474 X (470 k)	T	92.7/10.3
R317	70300			

[MAIN-A UNIT] (For IC-F6061D)

REF NO.	ORDER NO.	DESCRIPTION	M.	H/V LOCATION
R347	7030005050	S.RES ERJ2GEJ 103 X (10 k)	B	137.8/53.7
R348	7030005700	S.RES ERJ2GEJ 274 X (270 k)	B	131.3/75.6
R349	7030005090	S.RES ERJ2GEJ 104 X (100 k)	B	130.4/76.7
R350	7030005120	S.RES ERJ2GEJ 102 X (1 k)	B	140/47.6
R351	7030004980	S.RES ERJ2GEJ 101 X (100)	B	134.5/36.5
R352	7030008300	S.RES ERJ2GEJ 184 X (180 k)	B	140.1/38.5
R353	7030005230	S.RES ERJ2GEJ 334 X (330 k)	B	139.3/34.8
R354	7030010040	S.RES ERJ2GEJ-JPW	T	140.4/36
R355	7030008280	S.RES ERJ2GEJ 271 X (270)	B	138/34.8
R356	7540000290	ABS ERZV10D220		
R359	7030005090	S.RES ERJ2GEJ 104 X (100 k)	B	112.6/80.5
R360	7030005090	S.RES ERJ2GEJ 104 X (100 k)	T	78.4/5.3
R361	7030005600	S.RES ERJ2GEJ 273 X (27 k)	T	76.7/18.3
R362	7030005050	S.RES ERJ2GEJ 103 X (10 k)	T	121.7/48.6
R363	7030005120	S.RES ERJ2GEJ 102 X (1 k)	T	42.9/38.2
R364	7030005040	S.RES ERJ2GEJ 472 X (4.7 k)	T	42/37.2
R366	7030005050	S.RES ERJ2GEJ 103 X (10 k)	B	131.4/63.4
R367	7030005000	S.RES ERJ2GEJ 471 X (470)	B	130.1/63
R368	7030005050	S.RES ERJ2GEJ 103 X (10 k)	T	80.6/7.2
R370	7030005810	S.RES RR0510P-152-D (1.5 k)	B	78.4/35.7
R371	7030005120	S.RES ERJ2GEJ 102 X (1 k)	B	78.7/44.7
R372	7030010040	S.RES ERJ2GEJ-JPW	B	39.5/8.1
R373	7030010040	S.RES ERJ2GEJ-JPW	B	50.4/12.3
R374	7030005050	S.RES ERJ2GEJ 103 X (10 k)	T	117.9/83.3
R375	7030009140	S.RES ERJ2GEJ 272 X (2.7 k)	T	29.2/5.3
R376	7030005040	S.RES ERJ2GEJ 472 X (4.7 k)	B	75.8/18.3
R377	7030005160	S.RES ERJ2GEJ 105 X (1 M)	T	112.9/12.2
R378	7030005160	S.RES ERJ2GEJ 105 X (1 M)	B	114.2/12.7
R379	7410001140	S.ARY EXB28V104JX	B	99.9/18
R380	7030005090	S.RES ERJ2GEJ 104 X (100 k)	T	110.9/22.2
R385	7030010040	S.RES ERJ2GEJ-JPW	T	64.8/76.6
R386	7410000750	S.ARY EXB-V4V 104JV (100 k)	T	110.1/30.2
R387	7030005120	S.RES ERJ2GEJ 102 X (1 k)	T	104.8/86.7
R388	7030005120	S.RES ERJ2GEJ 102 X (1 k)	T	108.8/86.7
R389	7030005050	S.RES ERJ2GEJ 103 X (10 k)	T	103.8/38.2
R390	7030008300	S.RES ERJ2GEJ 184 X (180 k)	B	25.1/10.4
R391	7030005120	S.RES ERJ2GEJ 102 X (1 k)	B	27.8/7.2
R392	7030008400	S.RES ERJ2GEJ 182 X (1.8 k)	B	32.8/7.3
R393	7030004980	S.RES ERJ2GEJ 101 X (100)	B	32.8/8.2
R394	7030004980	S.RES ERJ2GEJ 101 X (100)	B	26/8.8
R395	7030005290	S.RES ERJ2GEJ 682 X (6.8 k)	B	26.7/7.2
R396	7030009290	S.RES ERJ2GEJ 562 X (5.6 k)	B	26.9/5.6
R397	7030005120	S.RES ERJ2GEJ 102 X (1 k)	B	79.6/48.3
R398	7030005030	S.RES ERJ2GEJ 152 X (1.5 k)	B	26.9/7.2
R399	7030005050	S.RES ERJ2GEJ 103 X (10 k)	B	97.7/11.3
C1	4030017420	S.CER ECJ0EC1H470J	T	88.9/54.3
C2	4030017420	S.CER ECJ0EC1H470J	T	89.9/54.3
C3	4030017420	S.CER ECJ0EC1H470J	T	41.7/15.3
C4	4030017420	S.CER ECJ0EC1H470J	B	50.4/14.9
C5	4030016930	S.CER ECJ0EB1A104K	T	89.8/34.6
C6	4550006250	S.TAN TEESVA 1A 106M8R	B	77.3/49.9
C8	4030017420	S.CER ECJ0EC1H470J	T	89.9/52
C9	4030016930	S.CER ECJ0EB1A104K	T	88.9/52
C10	4030016930	S.CER ECJ0EB1A104K	T	79.8/51
C11	4030016930	S.CER ECJ0EB1A104K	T	9.3/18.1
C12	4030016930	S.CER ECJ0EB1A104K	T	9.3/11.1
C13	4030016930	S.CER ECJ0EB1A104K	T	82.8/6.6
C14	4030016930	S.CER ECJ0EB1A104K	T	86.3/8.9
C15	4030017460	S.CER ECJ0EB1E102K	T	41.5/7.7
C16	4550000460	S.TAN TEESVA 1C 105M8R	T	42.7/6.2
C17	4550000460	S.TAN TEESVA 1C 105M8R	B	43/6.2
C18	4030017420	S.CER ECJ0EC1H470J	T	41.7/14
C19	4030017420	S.CER ECJ0EC1H470J	B	50.4/15.8
C20	4030016970	S.CER ECJ0EB1C223K	B	101/52.7
C21	4030017420	S.CER ECJ0EC1H470J	T	41.7/16.9
C22	4030017420	S.CER ECJ0EC1H470J	T	41.7/12.7
C23	4030016930	S.CER ECJ0EB1A104K	T	52.2/5.6
C24	4030017660	S.CER ECJ0EC1H330J	B	39.5/9.8
C25	4030017420	S.CER ECJ0EC1H470J	T	60.9/5.9
C26	4030016930	S.CER ECJ0EB1A104K	B	37.7/6
C27	4030018240	S.CER ECJ0EB1E562K	B	36.8/7.3
C28	4030016790	S.CER ECJ0EB1C103K	T	78.1/9.5
C29	4030017460	S.CER ECJ0EB1E102K	T	78.5/12.5
C30	4030016930	S.CER ECJ0EB1A104K	T	78.5/13.4
C31	4030017460	S.CER ECJ0EB1E102K	T	82/50.5
C32	4030017500	S.CER ECJ0EC1H560J	B	33.3/15.9
C33	4030016930	S.CER ECJ0EB1A104K	B	35.8/12.7
C34	4030017570	S.CER ECJ0EC1H040B	B	32/15.4
C35	4030017590	S.CER ECJ0EC1H070C	B	30.8/15.9
C36	4030016930	S.CER ECJ0EB1A104K	T	22.9/15
C37	4030017360	S.CER ECJ0EC1H030B	B	28.1/15.4
C38	4030016930	S.CER ECJ0EB1A104K	T	22/5.7
C39	4030016930	S.CER ECJ0EB1A104K	B	15/5.7
C40	4030016930	S.CER ECJ0EB1A104K	T	24.2/5.6
C41	4030016930	S.CER ECJ0EB1A104K	T	22.2/12.5
C42	4030016930	S.CER ECJ0EB1A104K	T	23.1/12.5
C43	4030017910	S.CER ECJ0EB1H152K	T	27.4/9.4
C44	4030017910	S.CER ECJ0EB1H152K	T	26.5/9.4
C45	4030017790	S.CER ECJ0EB1E682K	B	92.6/10
C46	4030016930	S.CER ECJ0EB1A104K	B	93.6/10
C47	4030016970	S.CER ECJ0EB1C223K	T	90.9/14.7
C48	4030017710	S.CER ECJ0EC1H181J	B	49.9/9.1
C49	4550006250	S.TAN TEESVA 1A 106M8R	T	54.8/15.4
C50	4030017460	S.CER ECJ0EB1E102K	T	55.4/12.1
C51	4030017400	S.CER ECJ0EC1H220J	T	46.3/18.8
C52	4030017400	S.CER ECJ0EC1H220J	T	44.7/7.8
C53	4030017900	S.CER ECJ0EB1C123K	B	63.7/10.8
C54	4030018080	S.CER ECJ0EB1H182K	B	63.7/11.7
C55	4030016790	S.CER ECJ0EB1C103K	B	49.2/30.2
C56	4030017620	S.CER ECJ0EC1H100C	T	83.4/36.5
C57	4030016930	S.CER ECJ0EB1A104K	T	84.8/31
C58	4030017430	S.CER ECJ0EC1H101J	T	85.7/38.8

[Low]=[USA-01], [EXP-01], [EUR-01], [USA-03], [EXP-03], [EUR-03]
 [High]=[USA-02], [EXP-02]

[MAIN-A UNIT] (For IC-F6061D)

REF NO.	ORDER NO.	DESCRIPTION	M.	H/V LOCATION
C59	4030017460	S.CER ECJ0EB1E102K	T	81.8/24.8
C60	4030017420	S.CER ECJ0EC1H470J	T	83/41.5
C61	4030017620	S.CER ECJ0EC1H100C	T	84.4/40.2
C62	4030017650	S.CER ECJ0EC1H270J	T	81.2/41.5
C65	4030017460	S.CER ECJ0EB1E102K	T	28.7/10.6
C66	4550006250	S.TAN TEESVA 1A 106M8R	T	30.7/6.9
C67	4030017460	S.CER ECJ0EB1E102K	T	26.6/8.4
C68	4030017460	S.CER ECJ0EB1E102K	T	30.5/8.5
C69	4030017460	S.CER ECJ0EB1E102K	T	32.6/15.4
C70	4030017420	S.CER ECJ0EC1H470J	B	30.6/14.3
C71	4030016940	S.CER ECJ0EB1A393K	B	92.6/8.3
C72	4030018860	S.CER ECJ0EB0J105K	B	50.9/11
C73	4030017750	S.CER ECJ0EB1E122K	B	50.3/17.7
C74	4030016930	S.CER ECJ0EB1A104K	B	52/17.7
C75	4030016930	S.CER ECJ0EB1A104K	B	55.9/12.6
C77	4030017460	S.CER ECJ0EB1E102K	B	53.1/12.7
C78	4030017460	S.CER ECJ0EB1E102K	B	53.3/8.6
C79	4550006250	S.TAN TEESVA 1A 106M8R	B	50.1/33.1
C80	4030017770	S.CER ECJ0EB1E332K	B	82.6/43.3
C81	4550000560	S.TAN TEESVA 1V 334M8R	B	84.4/41.1
C82	4030017460	S.CER ECJ0EB1E102K	B	80.3/30.7
C83	4550000270	S.TAN TEESVA 1E 474M8R	B	84.4/35.9
C84	4030017460	S.CER ECJ0EB1E102K	B	83.2/49.6
C85	4030017350	S.CER ECJ0EC1H020B	T	55.2/45.4
C87	4030017340	S.CER ECJ0EC1H010B	T	53.9/42.8
C88	4030017530	S.CER ECJ0EC1HOR5B	T	55.2/42.3
C89	4030017550	S.CER ECJ0EC1H1R5B	T	
		[USA-03], [USA-01] only	T	53.9/41.8
C91	4030016790	S.CER ECJ0EB1C103K	T	27.3/17.3
C92	4030017460	S.CER ECJ0EB1E102K	T	25.2/20.9
C93	4030017680	S.CER ECJ0EC1H820J	T	32.4/12.5
C94	4030017460	S.CER ECJ0EB1E102K	B	30.6/13.4
C95	4030016790	S.CER ECJ0EB1C103K	T	28.8/19.3
C98	4030016930	S.CER ECJ0EB1A104K	B	89.3/7.4
C99	4030016930	S.CER ECJ0EB1A104K	B	90.8/14.6
C100	4030016930	S.CER ECJ0EB1A104K	T	86.1/15.6
C101	4030017710	S.CER ECJ0EC1H181J	T	83.9/7.5
C102	4030016930	S.CER ECJ0EB1A104K	T	106.7/34.7
C103	4030016930	S.CER ECJ0EB1A104K	B	55.3/19.5
C104	4550000270	S.TAN TEESVA 1E 474M8R	B	76.6/32.9
C105	4030017420	S.CER ECJ0EC1H470J	T	74.2/41.3
C107	4030016930	S.CER ECJ0EB1A104K	B	72.9/43.4
C110	4030017420	S.CER ECJ0EC1H470J	T	74.2/34.8
C111	4030016930	S.CER ECJ0EB1A104K	B	73.9/28.3
C112	4030017460	S.CER ECJ0EB1E102K	T	73/27.4
C113	4030017420	S.CER ECJ0EC1H470J	T	74.2/28.3
C114	4030016790	S.CER ECJ0EB1C103K	T	24.3/20.9
C115	4030016790	S.CER ECJ0EB1C103K	T	21.5/21.1
C116	4030016790	S.CER ECJ0EB1C103K	T	26.6/22.5
C119	4030017640	S.CER ECJ0EC1H150J	T	20.3/27.9
C120	4030016790	S.CER ECJ0EB1C103K	T	32.2/22.5
C123	4030017660	S.CER ECJ0EC1H330J	T	40/28
C124	4030016930	S.CER ECJ0EB1A104K	B	90.8/17.4
C126	4030016930	S.CER ECJ0EB1A104K	T	82.7/21.2
C128	4030016930	S.CER ECJ0EB1A104K	T	80/20.2
C129	4030016930	S.CER ECJ0EB1A104K	B	63.7/16
C130	4030016930	S.CER ECJ0EB1A104K	B	134.8/16.8
C131	4030017660	S.CER ECJ0EC1H330J	B	137.5/23.8
C132	4030017660	S.CER ECJ0EC1H330J	B	137.5/18.8
C133	4030017580	S.CER ECJ0EC1H060C	T	69/43.9
C134	4030017590	S.CER ECJ0EC1H070C	T	70.3/43
C135	4030017590	S.CER ECJ0EC1H070C	T	69/37.4
C136	4030017460	S.CER ECJ0EB1E102K	B	84.1/27.8
C137	4030017670	S.CER ECJ0EC1H390J	T	70.3/30
C138	4030017640	S.CER ECJ0EC1H150J	T	69/30.9
C139	4030017630	S.CER ECJ0EC1H120J	T	70.3/36.5
C140	4030017460	S.CER ECJ0EB1E102K	T	73/40.4
C141	4030017460	S.CER ECJ0EB1E102K	T	73/33.9
C142	4030018860	S.CER ECJ0EB0J105K	T	90.1/10.7
C143	4030017340	S.CER ECJ0EC1H010B	T	64.7/31.3
C145	4030016790	S.CER ECJ0EB1C103K	T	27.8/35.2
C146	4030017610	S.CER ECJ0EC1H090C	T	36.4/33.4
C147	4030016790	S.CER ECJ0EB1C103K	T	35.1/35.2
C148	4030016790	S.CER ECJ0EB1C103K	T	29.9/33.9
C149	4030016930	S.CER ECJ0EB1A104K	B	76.5/18.7
C150	4030018560	S.CER C2012 JB 1A 475K-T	B	89/22
C151	4030016930	S.CER ECJ0EB1A104K	T	111.1/46.3
C152	4030016930	S.CER ECJ0EB1A104K	T	108.5/35.7
C153	4030017460	S.CER ECJ0EB1E102K	T	110.3/35.6
C154	4030018860	S.CER ECJ0EB0J105K	T	83.2/19.8
C155	4030017420	S.CER ECJ0EC1H470J	T	110.3/37.9
C156	4030017910	S.CER ECJ0EB1H152K	T	103.2/42.7
C157	4030017420	S.CER ECJ0EC1H470J	T	110.7/47.2
C158	4030017430	S.CER ECJ0EC1H101J	T	108.5/36.7
C159	4030017460	S.CER ECJ0EB1E102K	B	118.5/9.4
C160	4030017460	S.CER ECJ0EB1E102K	B	130.6/25.4
C161	4030017610	S.CER ECJ0EC1H090C	T	

[MAIN-A UNIT] (For IC-F6061D)

REF NO.	ORDER NO.	DESCRIPTION	M.	H/V LOCATION
C176	4030016930	S.CER ECJ0EB1A104K	B	41.2/32.8
C177	4030017730	S.CER ECJ0EB1E471K	B	42.1/32.8
C178	4030016790	S.CER ECJ0EB1C103K	B	34.6/32.9
C180	4030017740	S.CER ECJ0EB1E821K	T	108.8/47.5
C181	4030016930	S.CER ECJ0EB1A104K	T	111.5/43.6
C182	4030016780	S.CER ECJ0EB1C153K	T	112/39.9
C183	4030017420	S.CER ECJ0EC1H470J	T	103.8/44.5
C184	4030017760	S.CER ECJ0EB1H222K	T	105.4/47.5
C185	4030017690	S.CER ECJ0EC1H121J	T	107.1/47.5
C186	4030016930	S.CER ECJ0EB1A104K	T	62.6/40.9
C187	4030017460	S.CER ECJ0EB1E102K	T	63.5/40.9
C188	4030016790	S.CER ECJ0EB1C103K	T	62.6/34.4
C189	4030017460	S.CER ECJ0EB1E102K	T	63.5/34.4
C190	4030017540	S.CER ECJ0EC1HR75B	T	58.6/42.7
C191	4030016790	S.CER ECJ0EB1C103K	T	62.6/27.9
C192	4030017530	S.CER ECJ0EC1H0R5B	T	58.6/36.2
C193	4030017460	S.CER ECJ0EB1E102K	T	63.5/27.9
C194	4030017530	S.CER ECJ0EC1H0R5B	T	58.9/31.8
C195	4030016930	S.CER ECJ0EB1A104K	B	40.3/30.2
C196	4030017730	S.CER ECJ0EB1E471K	B	38.7/32.3
C197	4030016930	S.CER ECJ0EB1A104K	B	38.7/32.3
C198	4030017730	S.CER ECJ0EB1E471K	B	31.3/38.3
C199	4030016930	S.CER ECJ0EB1A104K	B	31.3/39.2
C200	4030016930	S.CER ECJ0EB1A104K	B	31.3/34.1
C201	4030017730	S.CER ECJ0EB1E471K	B	31.3/35.9
C202	4030017460	S.CER ECJ0EB1E102K	T	112/38.9
C203	4030017460	S.CER ECJ0EB1E102K	B	100.5/47.4
C204	4030017420	S.CER ECJ0EC1H470J	B	66.4/33.1
C205	4030018900	S.CER ECJ0EB0J474K	T	79.6/19.3
C206	4030016930	S.CER ECJ0EB1A104K	T	78.5/16.7
C207	4030017730	S.CER ECJ0EB1E471K	T	54.2/27.8
C208	4030017460	S.CER ECJ0EB1E102K	T	55.3/32.2
C209	4030017460	S.CER ECJ0EB1E102K	B	53.6/35.9
C210	4030017380	S.CER ECJ0EC1H050B	T	52.7/33.4
C211	4030017580	S.CER ECJ0EC1H060C	T	54.7/34.9
C212	4030017460	S.CER ECJ0EB1E102K	T	53.9/38
C213	4030017460	S.CER ECJ0EB1E102K	B	55.8/42.5
C214	4030017460	S.CER ECJ0EB1E102K	B	58.6/34.7
C215	4030017580	S.CER ECJ0EC1H060C	B	39.5/44.6
C216	4030017630	S.CER ECJ0EC1H120J	B	41.5/44.6
C217	4030017730	S.CER ECJ0EB1E471K	B	25.4/33.2
C218	4030016930	S.CER ECJ0EB1A104K	B	23.8/33.2
C219	4030017570	S.CER ECJ0EC1H040B	B	22.7/36.5
C220	4030017550	S.CER ECJ0EC1H1R5B	B	22.2/37.7
C221	4030016930	S.CER ECJ0EB1A104K	B	5.6/23.2
C222	4030017030	S.CER ECJ0EB1A273K	B	128.7/45.9
C223	4030016930	S.CER ECJ0EB1A104K	B	123.5/43.9
C224	4030017640	S.CER ECJ0EC1H150J	T	123/39.9
C225	4030016790	S.CER ECJ0EB1C103K	T	125/36.8
C226	4030017580	S.CER ECJ0EC1H060C	B	123.4/40.8
C227	4030017460	S.CER ECJ0EB1E102K	B	48/43.5
C228	4030017460	S.CER ECJ0EB1E102K	[USA-03], [USA-01] only	49.4/37.2
C229	4030017620	S.CER ECJ0EC1H100C	B	50.8/40.8
C230	4030017460	S.CER ECJ0EB1E102K	B	48.8/49.7
C231	4030017340	S.CER ECJ0EC1H010B	B	51.5/44.8
C232	4030017460	S.CER ECJ0EB1E102K	B	55.2/40.6
C234	4030017370	S.CER ECJ0EC1H3R5B	B	50.8/49.7
C235	4030017460	S.CER ECJ0EB1E102K	B	45.8/42.9
C236	4030017580	S.CER ECJ0EC1H060C	B	44.2/44.6
C237	4030017620	S.CER ECJ0EC1H100C	[USA-03], [USA-01] only	45.1/46
C239	4030017550	S.CER ECJ0EC1H1R5B	[USA-03], [USA-01] only	12.9/35.7
C240	4030017610	S.CER ECJ0EC1H090C	B	14/34.4
C241	4030017340	S.CER ECJ0EC1H010B	[USA-03], [USA-01] only	15.5/37.7
C242	4030017610	S.CER ECJ0EC1H090C	B	10.4/35.7
C243	4030017460	S.CER ECJ0EB1E102K	B	15.4/32.2
C244	4030017460	S.CER ECJ0EB1E102K	B	9.7/31.4
C245	4550006780	S.TAN TEESVB2 0J 476M8R	B	5.6/18.7
C246	4030016930	S.CER ECJ0EB1A104K	B	104.2/52.7
C247	4030016930	S.CER ECJ0EB1A104K	B	106/54.6
C248	4030016930	S.CER ECJ0EB1A104K	B	107.6/52.4
C249	4030018900	S.CER ECJ0EB0J474K	B	121/47.2
C250	4030017630	S.CER ECJ0EC1H120J	T	120.4/39.9
C251	4030017380	S.CER ECJ0EC1H050B	B	66.3/65.9
C252	4030017420	S.CER ECJ0EC1H470J	B	61/66.2
C253	4030017730	S.CER ECJ0EB1E471K	B	65.1/70.5
C254	4030017420	S.CER ECJ0EC1H470J	B	69.9/71.1
C255	4030017420	S.CER ECJ0EC1H470J	B	63.2/65
C257	4030017530	S.CER ECJ0EC1H0R5B	B	70.2/66.9
C258	4030017460	S.CER ECJ0EB1E102K	B	6.5/33.5
C259	4030017460	S.CER ECJ0EB1E102K	B	16.4/42.4
C261	4030017460	S.CER ECJ0EB1E102K	B	8.1/34.4
C262	4030017460	S.CER ECJ0EB1E102K	B	9/36.9
C263	4030016790	S.CER ECJ0EB1C103K	B	5.4/36.4
C265	4030017420	S.CER ECJ0EC1H470J	B	6.9/40.3
C266	4030017460	S.CER ECJ0EB1E102K	B	7.3/39.4
C267	4030017460	S.CER ECJ0EB1E102K	B	69/71.1
C268	4030017360	S.CER ECJ0EC1H030B	B	72.3/69.4
C269	4030017550	S.CER ECJ0EC1H1R5B	B	73.5/66.9
C270	4030017580	S.CER ECJ0EC1H060C	B	71.1/70.5
C271	4030017340	S.CER ECJ0EC1H010B	[USA-03], [USA-01] only	10.9/36.9
C272	4030016930	S.CER ECJ0EB1A104K	B	12.2/43.3
C273	4030016930	S.CER ECJ0EB1A104K	T	12.8/40.8
C274	4030017460	S.CER ECJ0EB1E102K	B	3.9/41
C275	4030017420	S.CER ECJ0EC1H470J	B	13.5/38.6
C276	4030017590	S.CER ECJ0EC1H070C	B	10/41.9
C277	4030017460	S.CER ECJ0EB1E102K	T	13.5/39.1
C278	4030017590	S.CER ECJ0EC1H070C	B	9.5/43.2
C279	4030017410	S.CER ECJ0EC1H240J	B	6.7/45.2
C280	4030017560	S.CER ECJ0EC1H2R5B	B	10/46.8

[Low]=[USA-01], [EXP-01], [EUR-01], [USA-03], [EXP-03], [EUR-03]
 [High]=[USA-02], [EXP-02]

[MAIN-A UNIT] (For IC-F6061D)

REF NO.	ORDER NO.	DESCRIPTION	M.	H/V LOCATION
C281	4030017420	S.CER ECJ0EC1H470J	T	95.5/36.2
C282	4030017420	S.CER ECJ0EC1H470J	T	102.2/41.1
C283	4030017420	S.CER ECJ0EC1H470J	B	95.8/47
C284	4030017420	S.CER ECJ0EC1H470J	T	97.8/37.2
C285	4030017420	S.CER ECJ0EC1H470J	B	94.9/44.7
C286	4030017420	S.CER ECJ0EC1H470J	T	93.8/44.7
C287	4030017420	S.CER ECJ0EC1H470J	T	93.8/40.4
C288	4030017460	S.CER ECJ0EB1E102K	B	4.1/47.4
C289	4030017610	S.CER ECJ0EC1H090C	B	18.8/34.4
C290	4030017580	S.CER ECJ0EC1H060C	T	73.9/75.6
C291	4030017730	S.CER ECJ0EB1E471K	T	69.2/76.6
C294	4030017420	S.CER ECJ0EC1H470J	T	70.3/76.6
C295	4030017420	S.CER ECJ0EC1H470J	B	58.4/69.9
C296	4510008530	S.ELE EEE1HA2R2SR	T	57.9/80.3
C297	4030017460	S.CER ECJ0EB1E102K	B	58.4/67.9
C299	4030017410	S.CER ECJ0EC1H240J	B	6.7/48.4
C300	4030017590	S.CER ECJ0EC1H070C	B	9.5/50.4
C301	4030017590	S.CER ECJ0EC1H070C	B	11.7/48.8
C302	4030017460	S.CER ECJ0EB1E102K	B	4.1/44.7
C303	4030016930	S.CER ECJ0EB1A104K	B	127.6/31.4
C304	4030017420	S.CER ECJ0EC1H470J	T	90.5/43
C305	4030011050	S.CER GRM31M3C2H3R0CY21L	T	27.6/79.2
C306	4030011040	S.CER GRM31M4C2H2R0CY21L	T	25.6/76.6
C307	4030011040	S.CER GRM31M4C2H2R0CY21L	T	25.6/73.8
C308	4030011050	S.CER GRM31M3C2H3R0CY21L	T	27.6/71.2
C309	4030017460	S.CER ECJ0EB1E102K	T	71.4/76.6
C310	4030017420	S.CER ECJ0EC1H470J	T	43.9/76.6
C311	4030017460	S.CER ECJ0EB1E102K	T	45/76.6
C312	4030017730	S.CER ECJ0EB1E471K	T	46.1/76.6
C313	4510008680	S.ELE EEE1EA22OSP	T	51.8/83
C314	4030017420	S.CER ECJ0EC1H470J	B	33.4/66.3
C315	4030017460	S.CER ECJ0EB1E102K	B	57.6/63.6
C316	4030016790	S.CER ECJ0EB1C103K	B	55.9/64.5
C317	4030016970	S.CER ECJ0EB1C223K	B	55.8/70.1
C318	4030017460	S.CER ECJ0EB1E102K	T	34.9/66.7
C319	4030017460	S.CER ECJ0EB1E102K	B	45.3/66.9
C320	4030017510	S.CER ECJ0EC1H080J	B	13.9/52.1
C321	4030017460	S.CER ECJ0EB1E102K	B	16.5/48.8
C322	4030017350	S.CER ECJ0EC1H020B	B	21.2/51.2
C324	4030017420	S.CER ECJ0EC1H470J	T	90.1/41.7
C325	4030017460	S.CER ECJ0EB1E102K	T	73.2/67.6
C326	4030017420	S.CER ECJ0EC1H470J	B	40.5/67.3
C327	4030017460	S.CER ECJ0EB1E102K	B	83.9/79.3
C328	4030017420	S.CER ECJ0EC1H470J	B	82.9/79.3
C329	4030017400	S.ELE ECJ0EC1H220J	B	81.9/79.3
C330	4510008540	S.ELE EEE1CA100SR	T	96.7/53.9
C331	4510008540	S.ELE EEE1CA100SR	T	60.6/55.1
C332	4030017780	S.CER ECJ0EB1E472K	B	53.5/66.1
C334	4030017460	S.CER ECJ0EB1E102K	B	50.8/70.2
C335	4030017460	S.CER ECJ0EB1E102K	B	48.7/69.4
C337	4030017600	S.CER ECJ0EC1H080C	B	28.2/53.7
C338	4510008540	S.ELE EEE1CA100SR	T	79.1/69.1
C339	4030017460	S.CER ECJ0EB1E102K	T	79.1/62.1
C340	4030017460	S.CER ECJ0EB1E102K	T	63.5/55.5
C341	4030016790	S.CER ECJ0EB1C103K	T	68.1/52.3
C342	4030017200	S.CER GRM31BR32J102KY01L	T	26.8/81.7
C343	4030011050	S.CER GRM31M3C2H3R0CY21L	T	23/63.3
C344	4030011050	S.CER GRM31M3C2H3R0CY21L	T	20.9/63.3
C345	4030011050	S.CER GRM31M3C2H3R0CY21L	T	18.3/58.5
C346	4030011070	S.CER GRM31M2C2H5R0CY21L	T	34.3/58.3
C347	4030017520	S.CER ECJ0EC1H0R3B	B	33.7/61.7
C348	4030017460	S.CER ECJ0EB1E102K	B	39.7/61.7
C349	4030011060	S.CER GRM31M2C2H4R0CY21L	T	10.3/61.7
C350	4030011070	S.CER GRM31M2C2H5R0CY21L	T	12.9/65.2
C351	4030016930	S.CER ECJ0EB1A104K	T	110.8/66.5
C352	4030017460	S.CER ECJ0EB1E102K	B	124.6/59.7
C353	4550006250	S.TAN TEESVA 1A 106M8R	B	124/61.3
C354	4550006250	S.TAN TEESVA 1A 106M8R	B	112.9/61.7
C355	4030017420	S.CER ECJ0EC1H470J	B	112.6/60.1
C356	4030011070	S.CER GRM31M2C2H5R0CY21L	T	15.7/65.2
C357	4030011060	S.CER GRM31M2C2H4R0CY21L	T	4.2/63.3
C358	4030009530	S.CER C1608 CH 1H 030R-T	B	10.7/61.4
C359	4030006860	S.CER C1608 JB 1H 102K-T	B	9.9/59.5
C360	4030017460	S.CER ECJ0EB1E102K	B	8.7/54
C361	4030017460	S.CER ECJ0EB1E102K	T	101.3/52.9
C362	4030017460	S.CER ECJ0EB1E102K	T	106.3/21.1
C363	4510008540	S.ELE EEE1CA100SR	T	139.1/31.9
C365	4550007650	S.TAN F931V105MAABMA	B	107.7/65.1
C366	4550007650	S.TAN F931V105MAABMA	B	105.6/65.1
C367	4550007650	S.TAN F931V105MAABMA	B	103.5/65.1
C368	4550007650	S.TAN F931V105MAABMA	B	101.4/65.1
C369	4030011070	S.CER GRM31M2C2H5R0CY21L	T	15.3/81.1
C370	4030011050	S.CER GRM31M3C2H3R0CY21L	T	5.3/81.1
C371	4030017460	S.CER ECJ0EB1E102K	B	2.9/80.8
C372	4030006860	S.CER C1608 JB 1H 102K-T	B	8.3/79.6
C373	4030016790	S.CER ECJ0EB1C103K	B	130.6/51.7
C374	4030016930	S.CER ECJ0EB1A104K		

[MAIN-A UNIT] (For IC-F6061D)

REF NO.	ORDER NO.	DESCRIPTION	M.	H/V LOCATION
C394	4030017420	S.CER ECJ0EC1H470J	B	115.4/68
C395	4030017460	S.CER ECJ0EB1E102K	B	128.8/76.7
C397	4030017460	S.CER ECJ0EB1E102K	B	100.8/86.3
C398	4030017420	S.CER ECJ0EC1H470J	B	99.8/86.3
C399	4030018860	S.CER ECJ0EB0J105K	B	134.5/34.8
C400	4030016930	S.CER ECJ0EB1A104K	B	136.9/37
C411	4510008780	S.ELE EEE1EA471P	T	117.2/63.6
C412	4510008780	S.ELE EEE1EA471P	T	132.7/54.3
C413	4030018900	S.CER ECJ0EB0J474K	B	135.1/46.8
C414	4510008540	S.ELE EEE1CA100SR	T	113.9/50.1
C415	4030016930	S.CER ECJ0EB1A104K	B	103/23.8
C416	4030016930	S.CER ECJ0EB1A104K	B	121/51.5
C417	4030016790	S.CER ECJ0EB1C103K	B	113.8/51.7
C418	4030017460	S.CER ECJ0EB1E102K	B	102.3/57.9
C419	4030016790	S.CER ECJ0EB1C103K	T	42.5/39.1
C420	4030017420	S.CER ECJ0EC1H470J	T	39.8/37.2
C421	4030016930	S.CER ECJ0EB1A104K	B	36.1/24.4
C422	4030016790	S.CER ECJ0EB1C103K	T	42.9/33
C423	4030007090	S.CER C1608 CH 1H 470J-T	T	33.6/38.9
C424	4030016930	S.CER ECJ0EB1A104K	T	33.6/41.2
C425	4030017460	S.CER ECJ0EB1E102K	B	134.8/66.1
C426	4030011030	S.CER GRM31M4C2H1R5CY21L	T	29.2/75.2
C427	4030017530	S.CER ECJ0EC1H0R5B	B	19.5/36.6
C428	4030018110	S.CER ECJ0EB1H272K	T	25.6/9.4
C429	4030016790	S.CER ECJ0EB1C103K	B	138.4/51
C430	4030018860	S.CER ECJ0EB0J105K	B	110.4/10.7
C431	4030017460	S.CER ECJ0EB1E102K	B	114.2/11.7
C432	4030017420	S.CER ECJ0EC1H470J	B	119.4/69.8
C433	4030017460	S.CER ECJ0EB1E102K	B	119.4/70.8
C435	4030016930	S.CER ECJ0EB1A104K	T	8.9/7.8
C436	4030016930	S.CER ECJ0EB1A104K	B	56/38.5
C437	4030016930	S.CER ECJ0EB1A104K	B	25.1/8.8
C438	4030016930	S.CER ECJ0EB1A104K	B	32.8/5.5
C440	4030016930	S.CER ECJ0EB1A104K	B	25.1/7.2
C441	4030016930	S.CER ECJ0EB1A104K	B	26/5.6
C442	4030016930	S.CER ECJ0EB1A104K	B	26.9/8.8
C443	4030017040	S.CER ECJ0EB1A333K	B	34.5/8.2
C444	4030016930	S.CER ECJ0EB1A104K	T	22.3/10.2
C445	4030017650	S.CER ECJ0EC1H270J	B	32.8/6.4
C446	4030017590	S.CER ECJ0EC1H070C	T	23/20.4
C447	4030017340	S.CER ECJ0EC1H010B	B	17.1/37.7
C448	4030017340	S.CER ECJ0EC1H010B	B	12.5/36.9
C450	4030017550	S.CER ECJ0EC1H1R5B	T	65.6/36
C451	4030018860	S.CER ECJ0EB0J105K	B	92.6/6.6
J1	6510025220	S.CNR AXK540145J	T	124.5/9.7
J2	6510025220	S.CNR AXK540145J	T	101.5/9.7
J3	6510021301	S.CNR 52365-1071	T	90.3/62.6
J5	6510023091	S.CNR 20FLT-SM2-TB (LF) (SN)	T	108.3/83.2
J7	6450000140	CNR HSJ0807-01-010		
J10	6510023091	S.CNR 20FLT-SM2-TB (LF) (SN)	T	71/7
W1	7120000470	JMP ERDS2T0		
W2	8900016250	CBL OPC-1701 <CMI>T/H!		
EP2	6910015370	S.BEA ACZ1005Y-102-T	B	60.4/28.3
EP3	6910015370	S.BEA ACZ1005Y-102-T	T	85.7/30
EP4	6910010280	BEA HF70BB9.5X10.4X4.9		
EP5	6910010280	BEA HF70BB9.5X10.4X4.9		
EP6	6910015370	S.BEA ACZ1005Y-102-T	T	79.6/41.5
EP7	6910011560	BEA HF70BB4.5X5X1.6		
EP8	0880002600	UBD EX-2887 #13		

[CONNECT UNIT]

REF NO.	ORDER NO.	DESCRIPTION	M.	H/V LOCATION
C601	4030017420	S.CER ECJ0EC1H470J	T	12.7/4.6
C602	4030017420	S.CER ECJ0EC1H470J	T	15.4/4.6
C603	4030017420	S.CER ECJ0EC1H470J	T	18.2/4.6
C604	4030017420	S.CER ECJ0EC1H470J	T	19.6/4.6
C605	4030017420	S.CER ECJ0EC1H470J	T	20.9/4.6
C606	4030017420	S.CER ECJ0EC1H470J	T	25.1/4.6
C607	4030017420	S.CER ECJ0EC1H470J	T	37.5/13.2
C608	4030017420	S.CER ECJ0EC1H470J	T	16.8/4.6
C609	4030017420	S.CER ECJ0EC1H470J	T	40.3/13.2
C610	4030017420	S.CER ECJ0EC1H470J	T	41.7/4.6
J601	6510025240	S.CNR IMSA-9631S-20Y912	B	32.2/16.2
J602	6510023210	CNR CD6125SA1J0 <CVI>		
W601	8900012711	CBL OPC-1297A (P0.5,N20,L62)		

M.=Mounted side (T: Mounted on the Top side, B: Mounted on the Bottom side)
S.=Surface mount

SECTION 8

MECHANICAL PARTS

[CHASSIS PARTS]

REF NO.	ORDER NO.	DESCRIPTION	QTY.
J1	6510004880	MR-DSE-01	1
MP1	8010020540	2979 CHASSIS	1
MP2	8930070860	O-RING (BM)	1
MP3	8110008961	2979 COVER-1	1
MP4	8930070921	2979 D-SUB PLATE-1	1
MP5	8510018090	2979 FILTER CASE	1
MP8	8930048550	2177 CLIP	1
MP9	8810008661	SCREW BT B0 3X8 NI-ZC3 (BT)	10
MP10	8810008661	SCREW BT B0 3X8 NI-ZC3 (BT)	2
MP11	8810008661	SCREW BT B0 3X8 NI-ZC3 (BT)	2
MP12	8810009991	SCREW BT B0 3X8 NI-ZK3 (BT)	4
MP13	8810009991	SCREW BT B0 3X8 NI-ZK3 (BT)	2
MP14	8930071670	2979 M-PLATE	1
MP16	8930068420	SPONGE (IS)	4
MP17	8930057940	SHIELD SPONGE (N)	2
MP18	8930076020	RUBBER SHEET (CB)	1

[MAIN-A UNIT]

REF NO.	ORDER NO.	DESCRIPTION	QTY.
J1*	6510025220	AXK540145J	1
J2*	6510025220	AXK540145J	1
J3*	6510021301	52365-1071	1
J5*	6510023091	20FLT-SM2-TB (LF) (SN)	1
J7	6450000140	HSJ0807-01-010	1
J10*	6510023091	20FLT-SM2-TB (LF) (SN)	1
W1	7120000470	ERDS2T0	1
W2	8900016250	OPC-1701	1
EP4	6910010280	HF70BB9.5X10.4X4.9	1
EP5	6910010280	HF70BB9.5X10.4X4.9	1
EP7	6910011560	HF70BB4.5X5X1.6	2
EP8	(Optional)	UT-126H (Incl. MP5)	1 [IC-F6061D] only
MP1*	8510018070	2979 VCO CASE	1
MP2	8510018060	2979 VCO COVER	1
MP3	8510002280	VCO SHIELD PLATE (A) (FX-15)	1
MP4	8930058840	SHIELD SPONGE (T)	1
MP5	8930072530	SPONGE (JN)	1 [IC-F6061D] only

[FRONT UNIT]

REF NO.	ORDER NO.	DESCRIPTION	QTY.
SP501	2510001400	3050S-E6227	1
W501	8900012711	OPC-1297A	1
W502	7120000470	ERDS2T0	1
W503	7120000470	ERDS2T0	1
EP502	8930072220	SRCN-2979-SP-N-W	2
MP501	8210023480	2979 FRONT PANEL (Incl. MP502)	1
MP502	8310068050	2979 WINDOW PLATE	1
MP503	8210023270	2979 REFLECTOR	1
MP504	8930070840	2979 LENS	1
MP505	8610013020	KNOB N-352 (Incl. MP515)	1
MP506	8930070830	2979 KEYBOARD	1
MP507	8930070850	2979 VOL RUBBER	1
MP508	8010020760	2979 SUB CHASSIS (Incl. MP509)	1
MP509	8930071350	2979 SPRING	1
MP510	8510018080	2979 LCD PLATE	1
MP511	8930071600	INSULATION SHEET (LR)	2
MP513	8930071610	2979 LCD FILTER	1
MP514	8930059000	2601 SP NET	1
MP515	8610007420	KNOB SPRING NO.6601	1
MP516	8810010501	SCREW BT B0 3X10NI-ZC3 (BT)	3
MP517	8930045910	THERMAL SHEET (BS)	1

[ACCESSORIES]

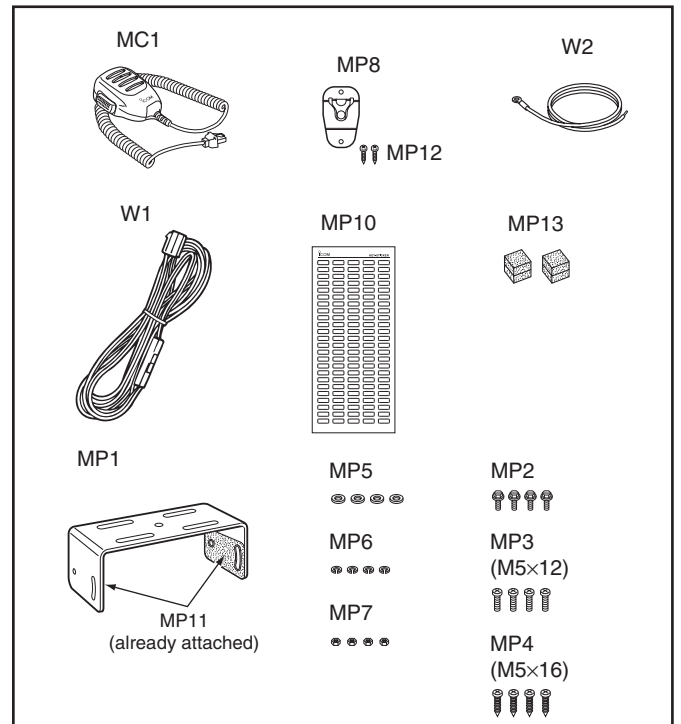
REF NO.	ORDER NO.	DESCRIPTION	QTY.
MC1	(Optional)	HM-148 [USA-01/02/03]	1
	(Optional)	HM-152 [EXP-01/02], [EUR-01]	1
W1	(Optional)	OPC-1132A [USA-01/02/03]	1
	8900011781	OPC-1194A [EXP-01/02], [EUR-01]	1
W2	8900000731	OPC-049A	1
MP1	8010020610	2979 MOBILE BRACKET	1
MP2	8820000530	FLANGE BOLT M4X8 NI	4
MP3	8810000471	SCREW PH (+-) M5X12 ZC3	4
MP4	8810000951	SCREW BT A0 5X16 ZC3	4
MP5	8850000180	FLAT WASHER M5 SUS	4
MP6	8850000391	SPRING WASHER M5 ZC3	4
MP7	8830000121	NUT M5 ZC3	4
MP8	8950005110	2289 MIC HANGER	1
MP10	8310068720	2979 LCD SEAL	1
MP11	8930059160	2601 FELT	2
MP12	8810004700	SCREW BT A0 3X16 SUS	2
MP13	8930072530	SPONGE (JN)	2

[CONNECT UNIT]

REF NO.	ORDER NO.	DESCRIPTION	QTY.
J601*	6510025240	IMSA-9631S-20A-TB	1
J602	6510023210	CD6125SA1J0	1
W601	8900012711	OPC-1297A	1

[MAIN UNIT]

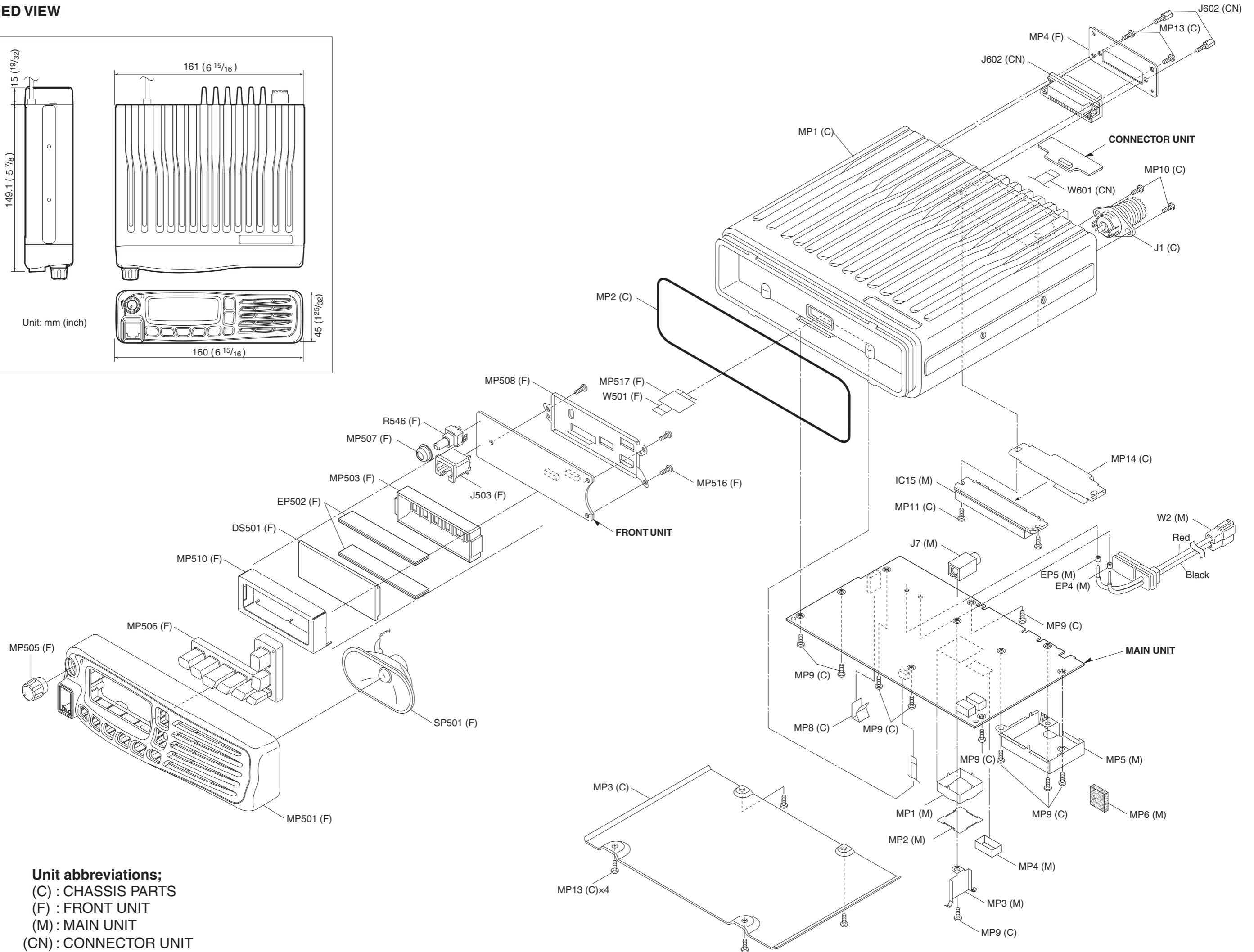
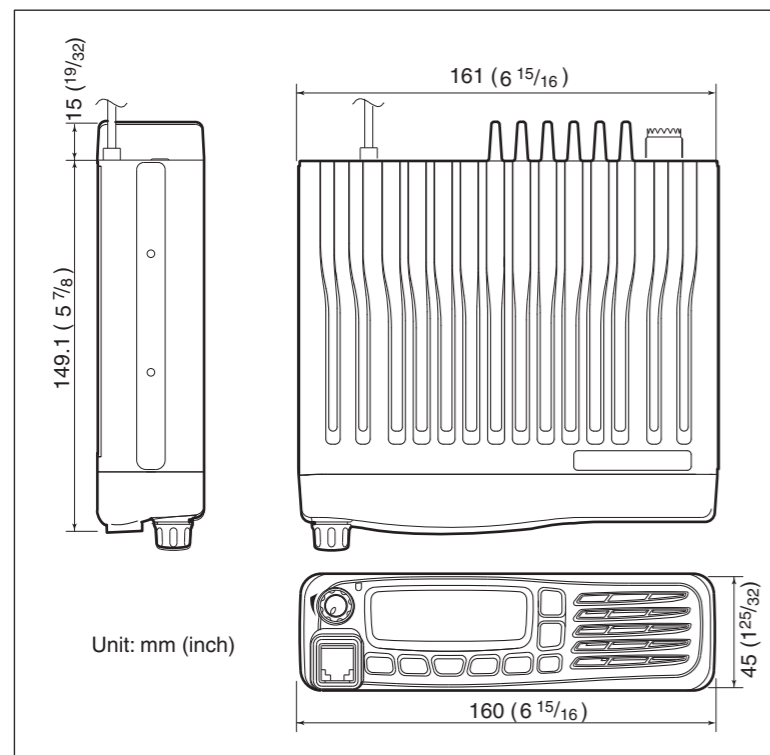
REF NO.	ORDER NO.	DESCRIPTION	QTY.
J1*	6510025220	AXK540145J	1
J2*	6510025220	AXK540145J	1
J3*	6510021301	52365-1071	1
J5*	6510023091	20FLT-SM2-TB (LF) (SN)	1
J7	6450000140	HSJ0807-01-010	1
J10*	6510023091	20FLT-SM2-TB (LF) (SN)	1
W1	7120000470	ERDS2T0	1
W2	8900016250	OPC-1701	1
EP4	6910010280	HF70BB9.5X10.4X4.9	1
EP5	6910010280	HF70BB9.5X10.4X4.9	1
EP7	6910011560	HF70BB4.5X5X1.6	2
MP1*	8510018070	2979 VCO CASE	1
MP2	8510018060	2979 VCO COVER	1
MP3	8510002280	VCO SHIELD PLATE (A) (FX-15)	1
MP4	8930058840	SHIELD SPONGE (T)	1



*: Refer to "BOARD LAYOUTS."

Screw abbreviations A, B0, BT: Self-tapping PH: Pan head ZK: Black NI-ZU: Nickel-Zinc SUS: Stainless

• EXPLODED VIEW



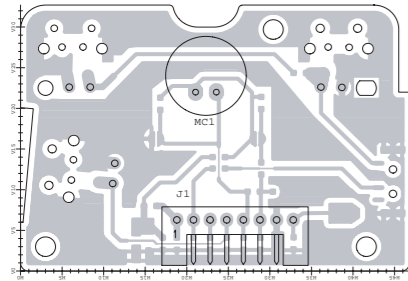
Unit abbreviations;
 (C) : CHASSIS PARTS
 (F) : FRONT UNIT
 (M) : MAIN UNIT
 (CN) : CONNECTOR UNIT

SECTION 9

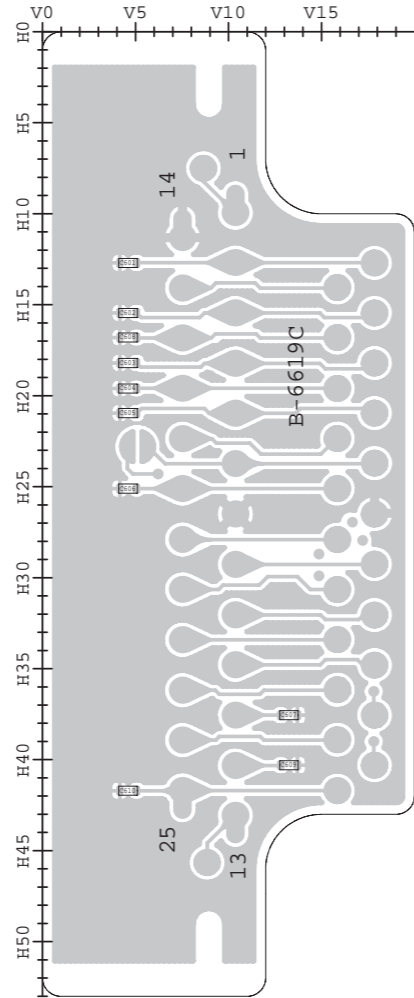
BOARD LAYOUTS

• For IC-F6060 series

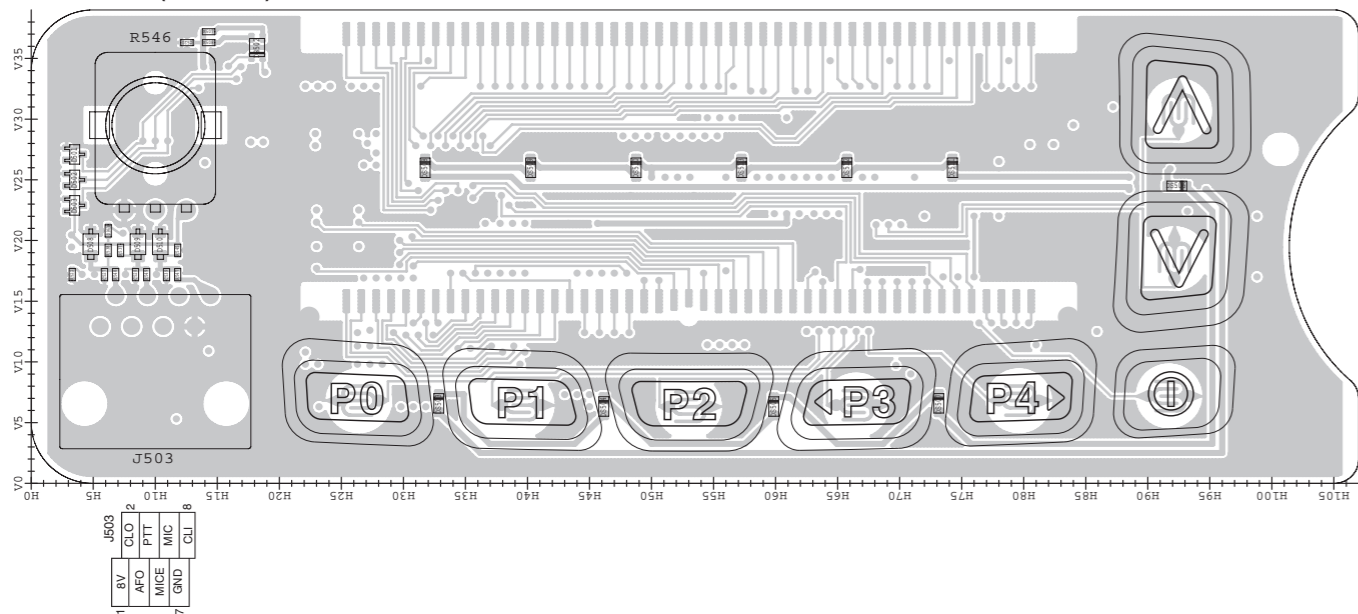
• HM-152 (TOP VIEW)



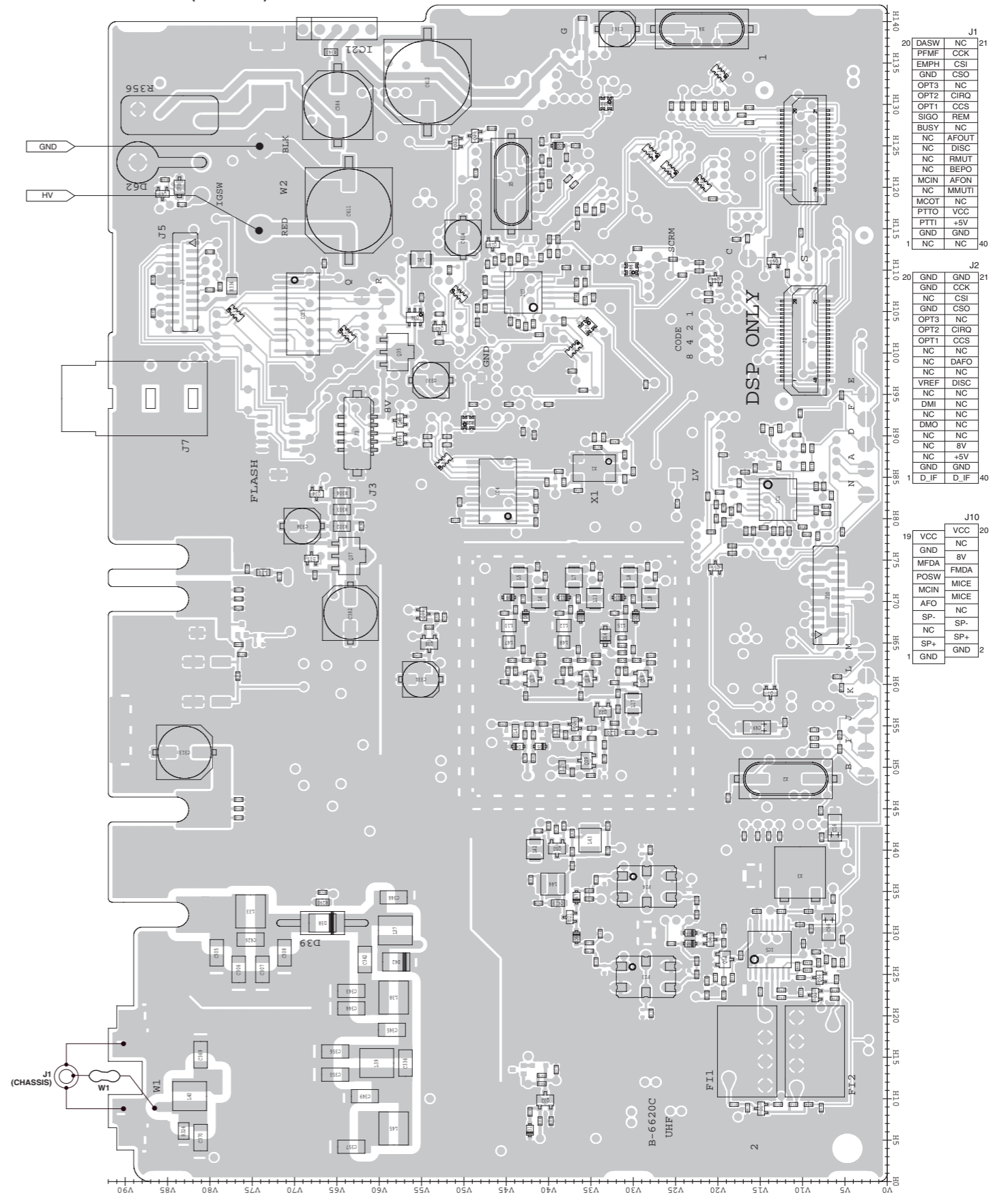
• CONNECT UNIT (TOP VIEW)



• FRONT UNIT (TOP VIEW)



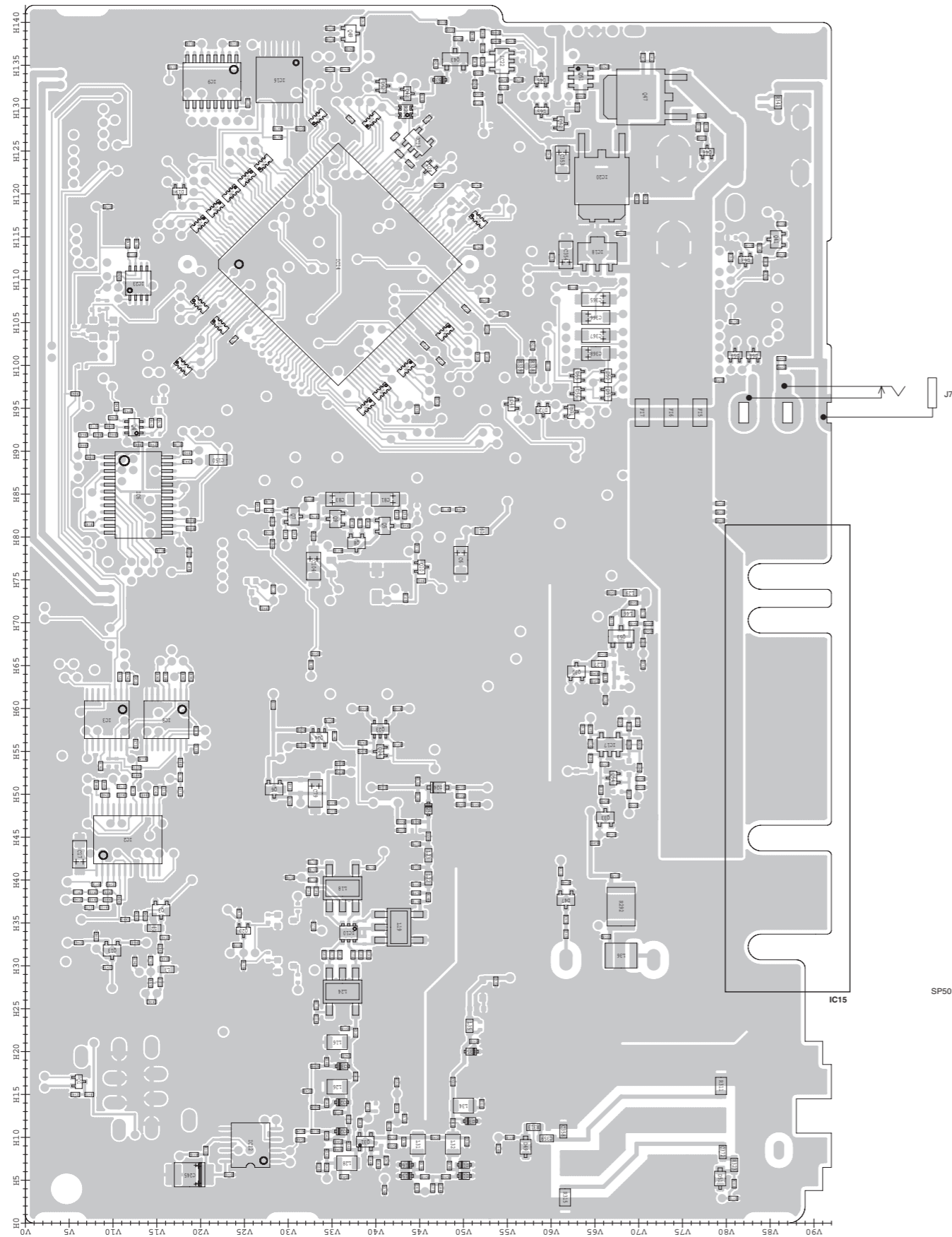
• MAIN UNIT (TOP VIEW)



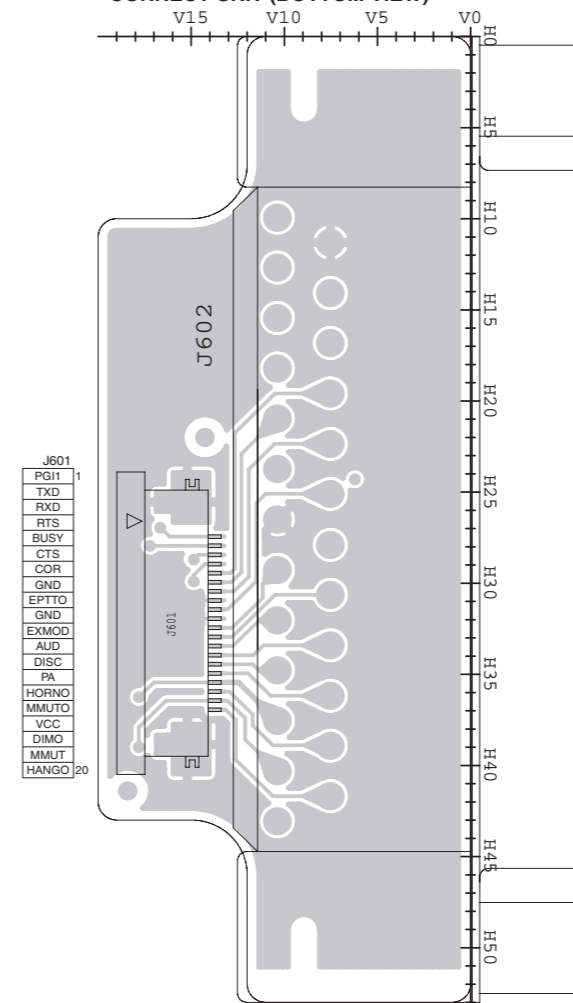
• For IC-F6060 series

The combination of this side and the bottom side shows the board layout in the same configuration as the actual P,C,Board.

• MAIN UNIT (BOTTOM VIEW)

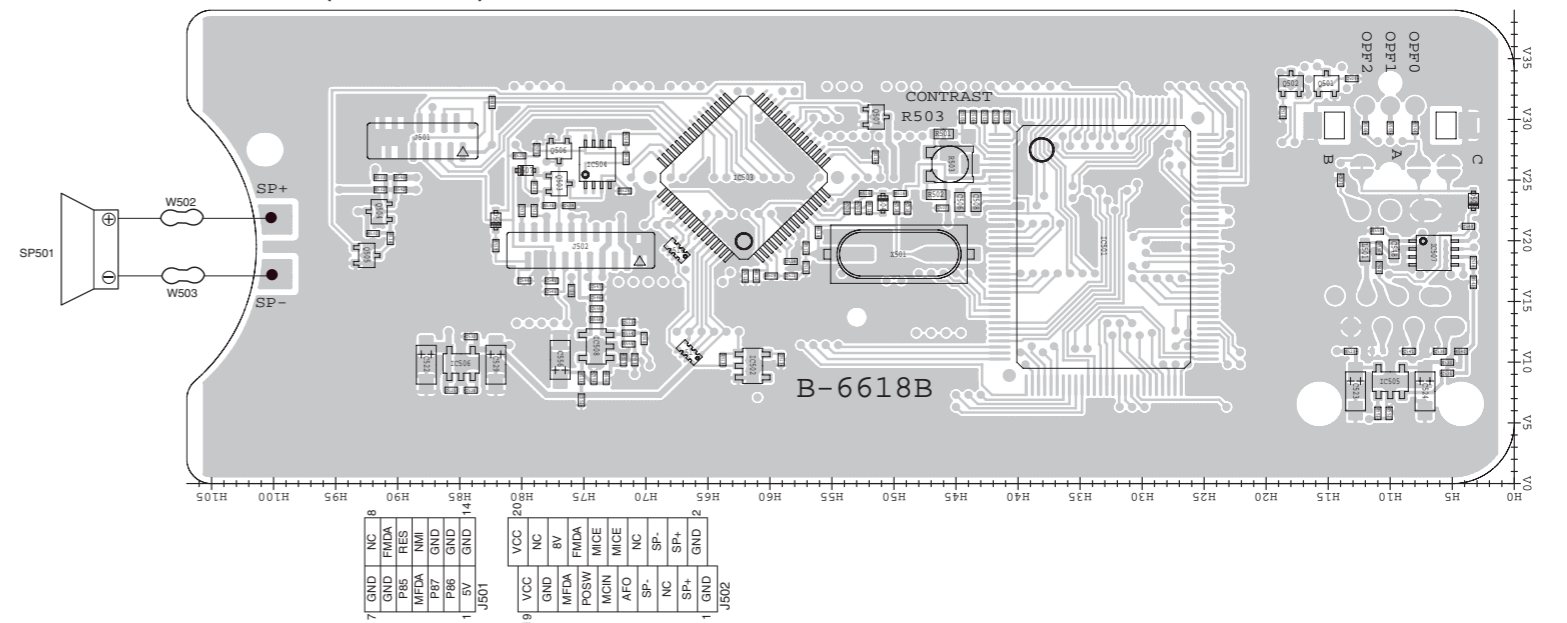


• CONNECT UNIT (BOTTOM VIEW)

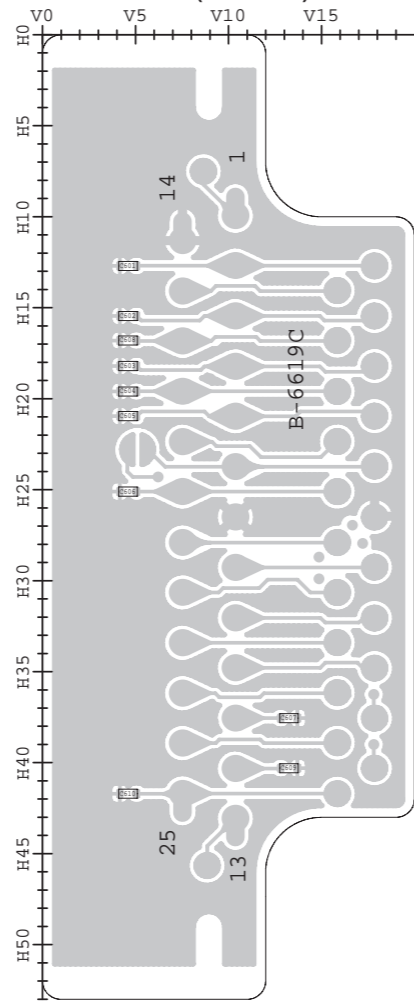
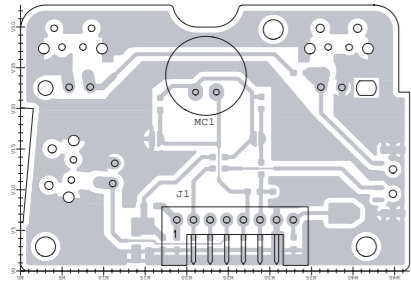


• HM-152 (BOTTOM VIEW)

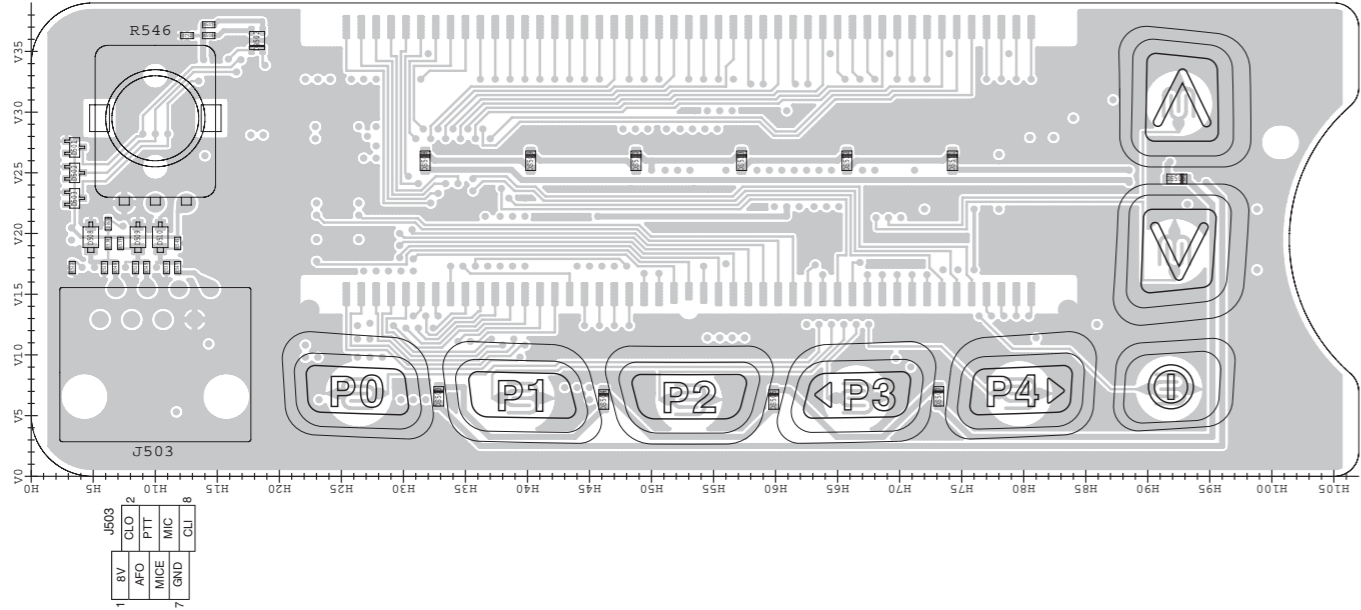
• FRONT UNIT (BOTTOM VIEW)



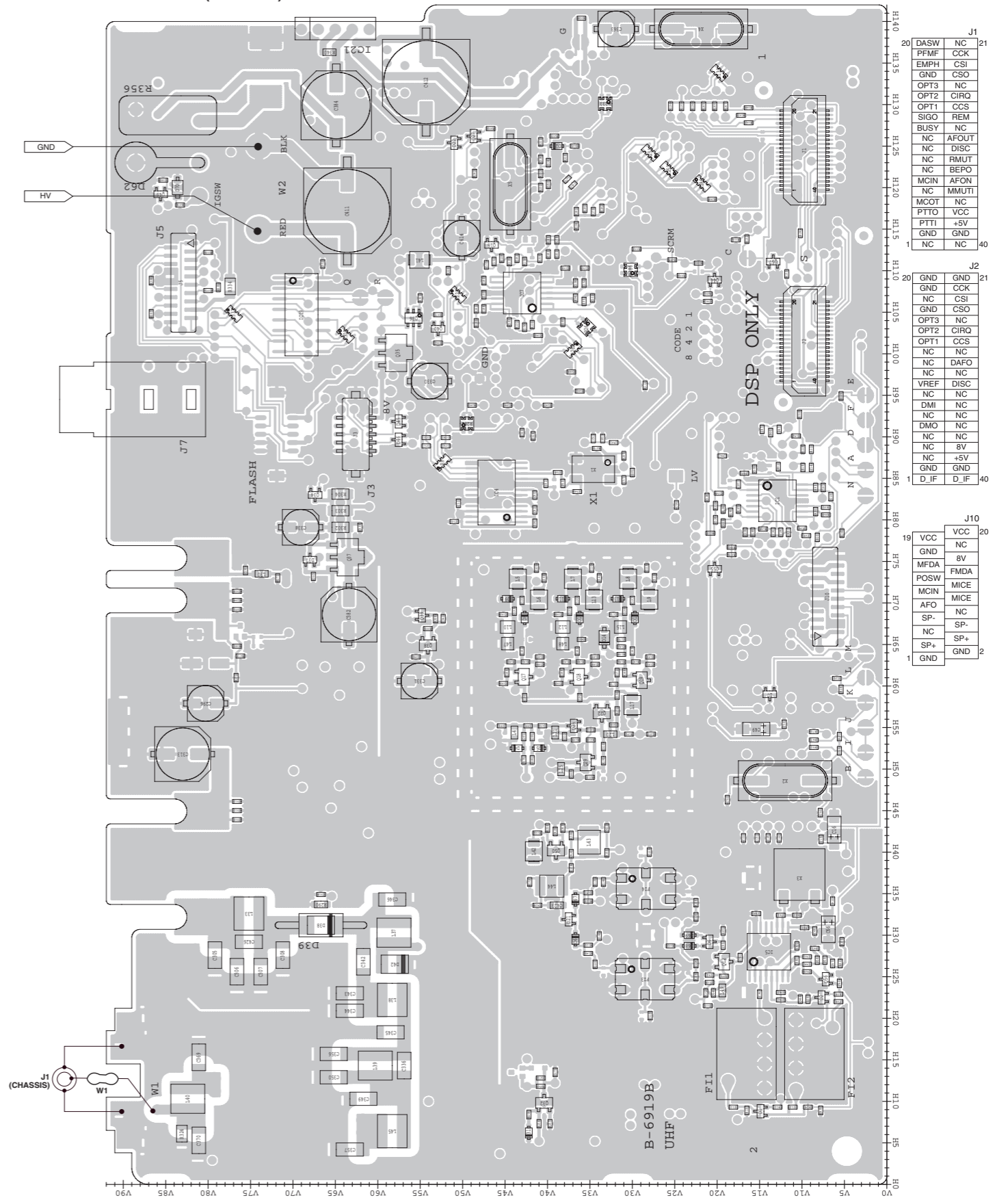
• HM-152 (TOP VIEW)



• FRONT UNIT (TOP VIEW)

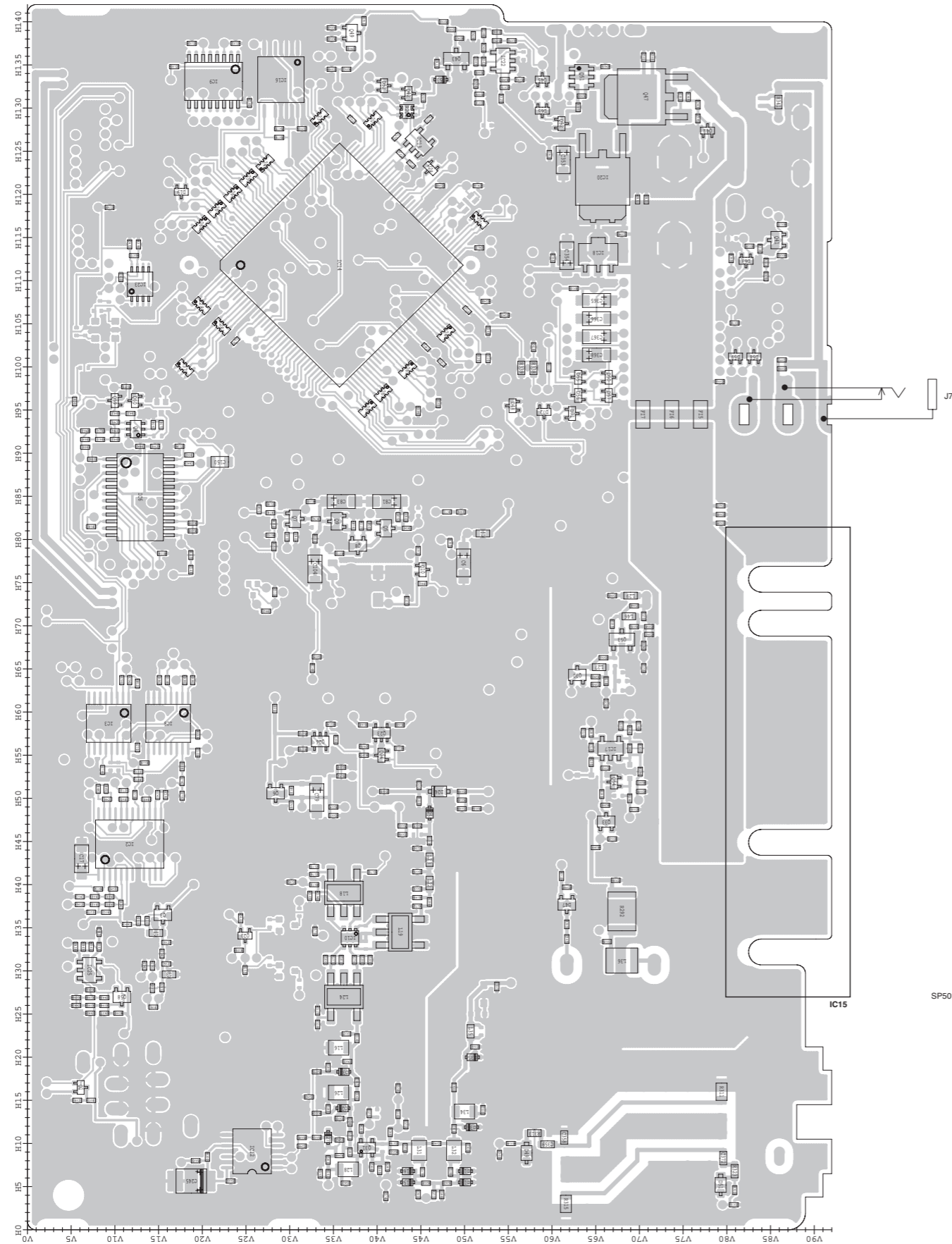


• MAIN-A UNIT (TOP VIEW)

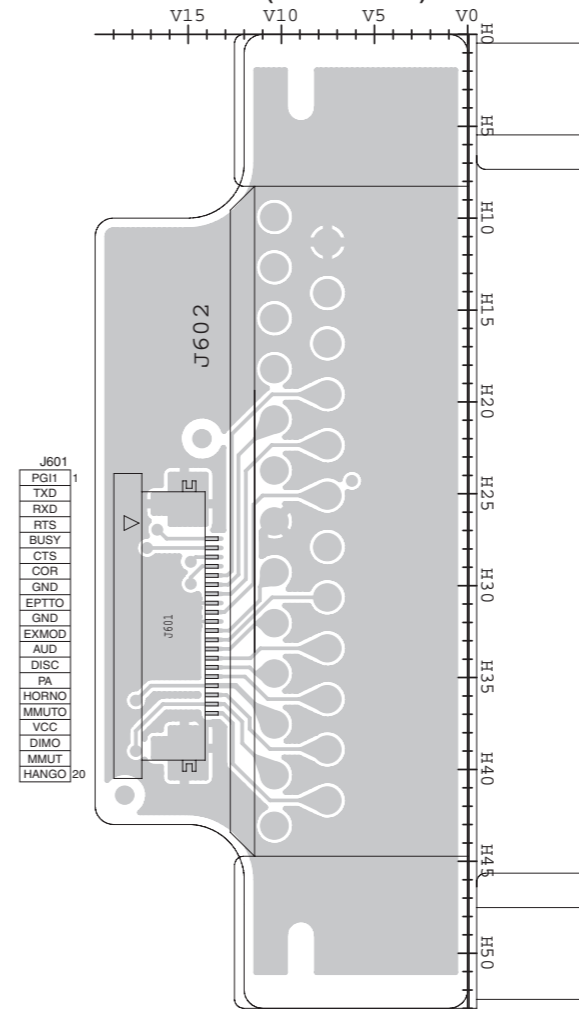


The combination of this side and the bottom side shows the board layout in the same configuration as the actual P.C.Board.

• MAIN-A UNIT (BOTTOM VIEW)

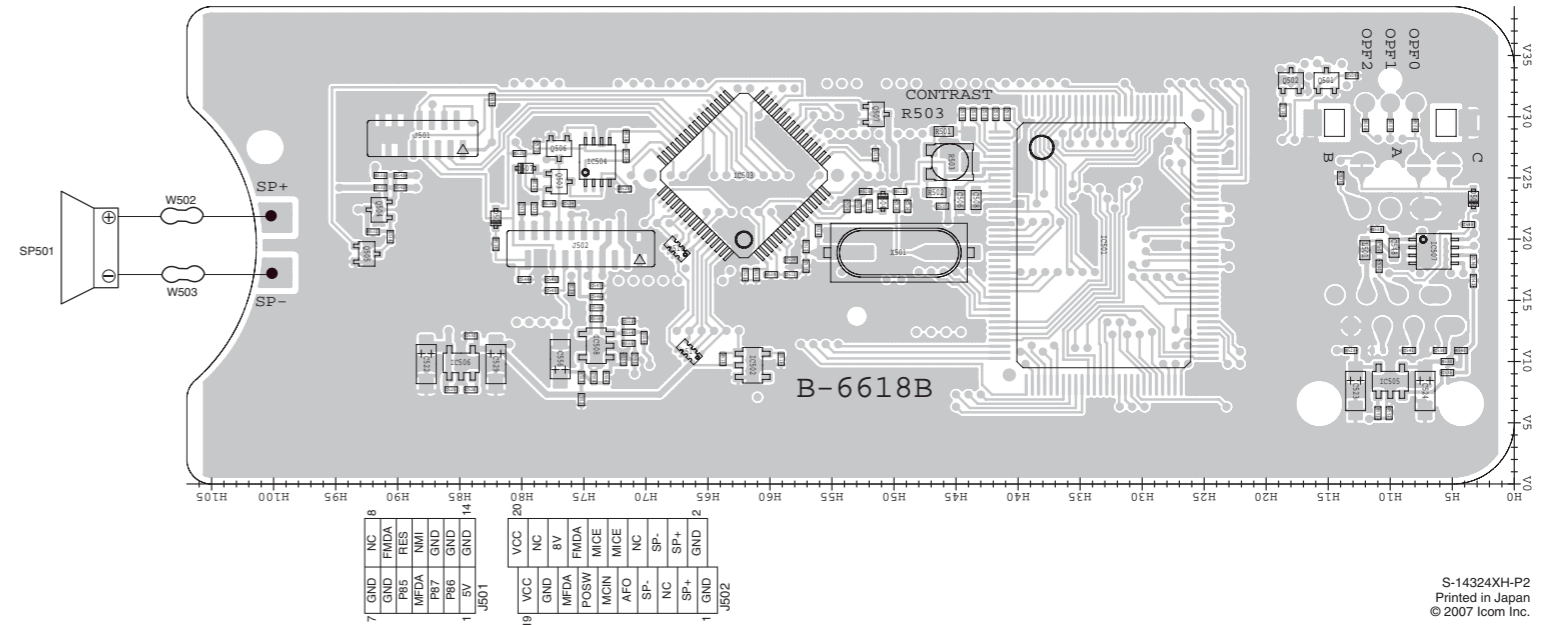


• CONNECT UNIT (BOTTOM VIEW)



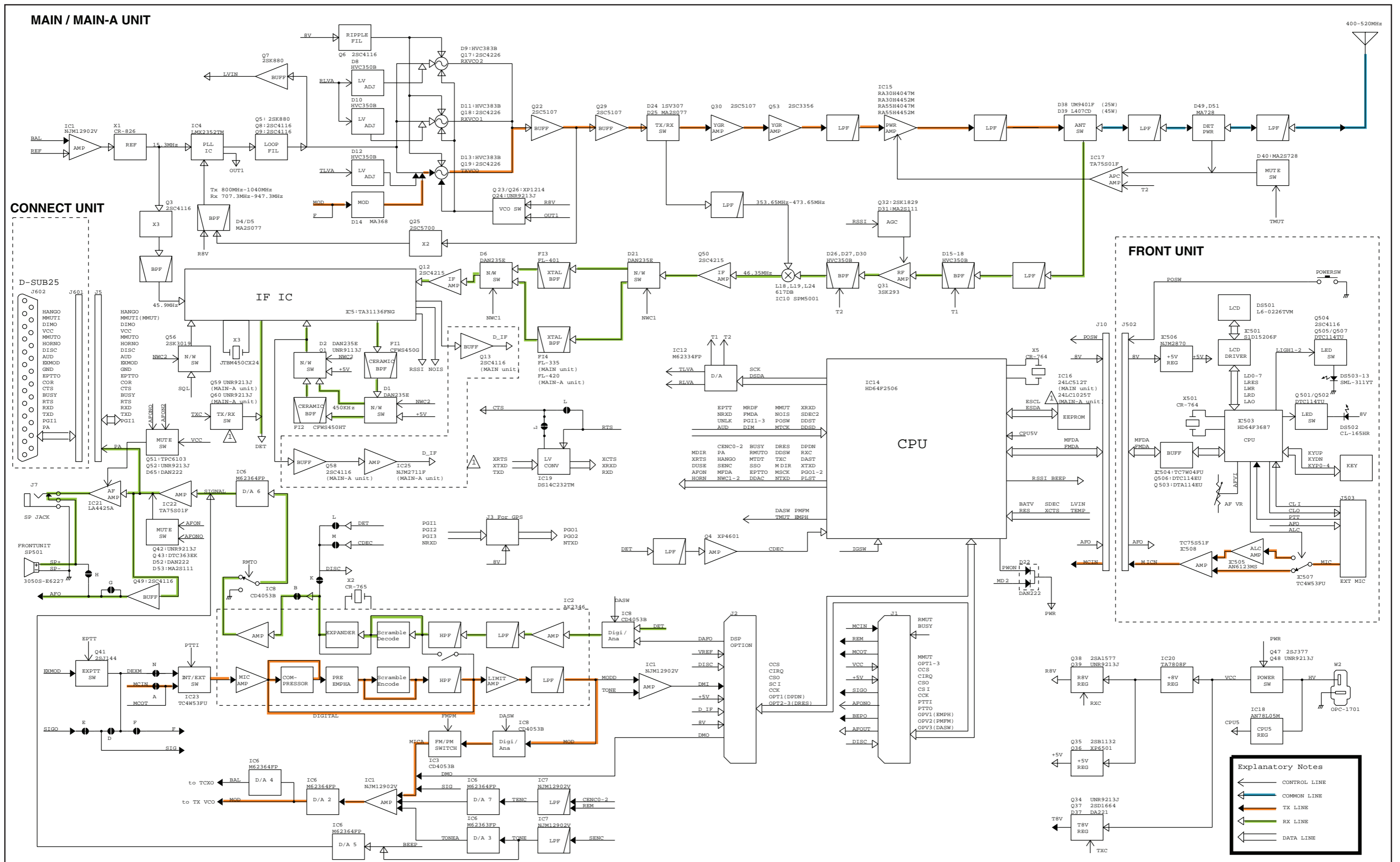
• HM-152 (BOTTOM VIEW)

• FRONT UNIT (BOTTOM VIEW)



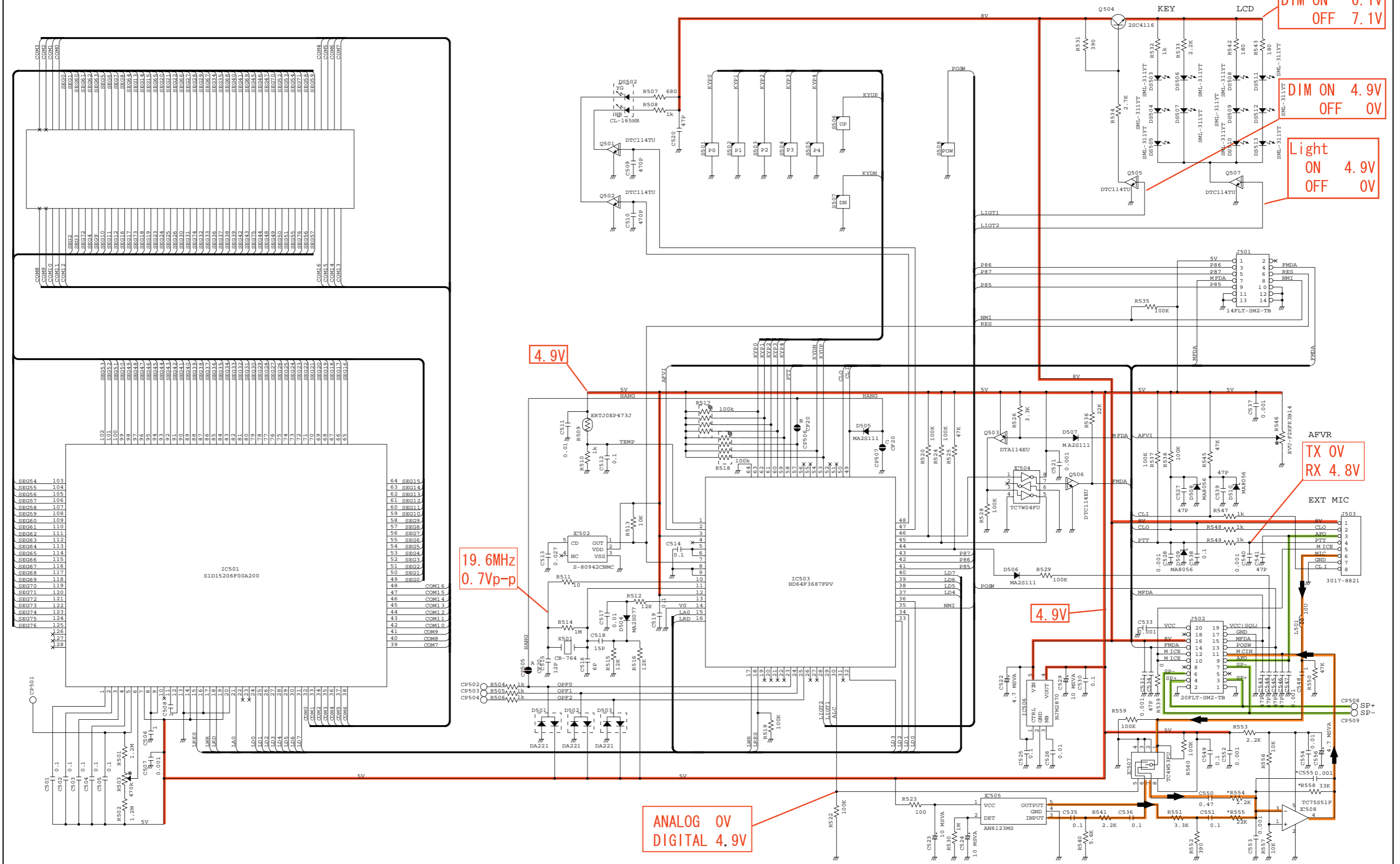
SECTION 10

BLOCK DIAGRAM



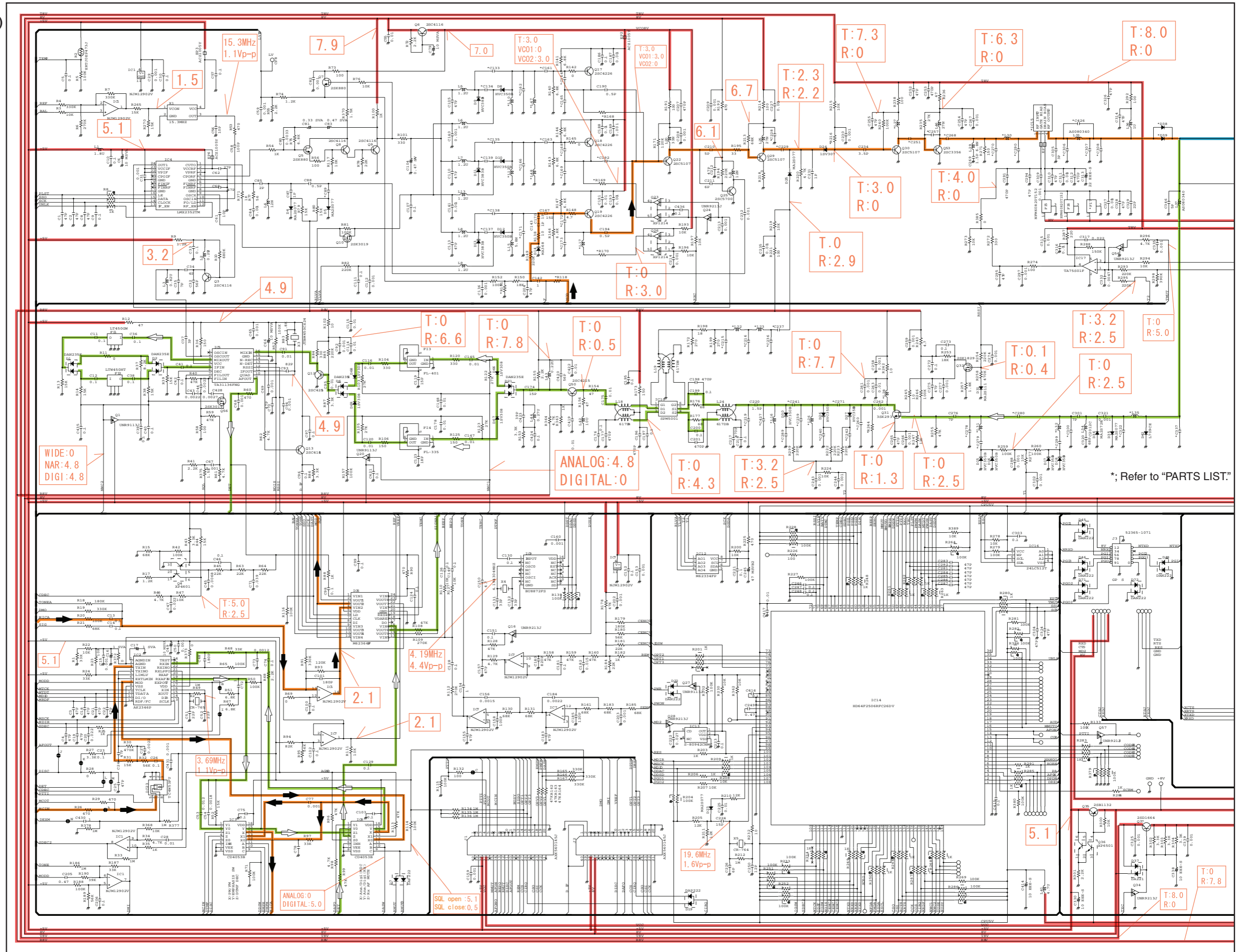
SECTION 11 VOLTAGE DIAGRAM

FRONT UNIT

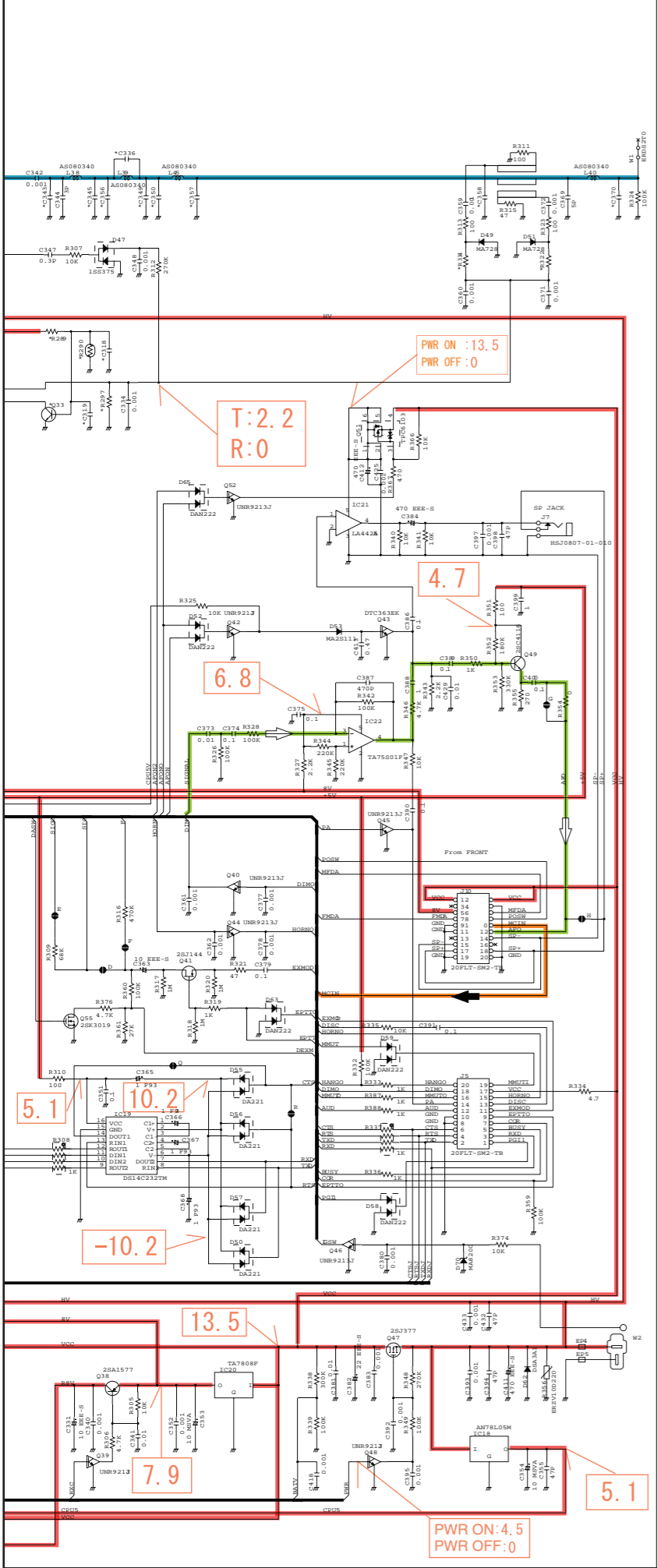


*; Refer to "PARTS LIST"

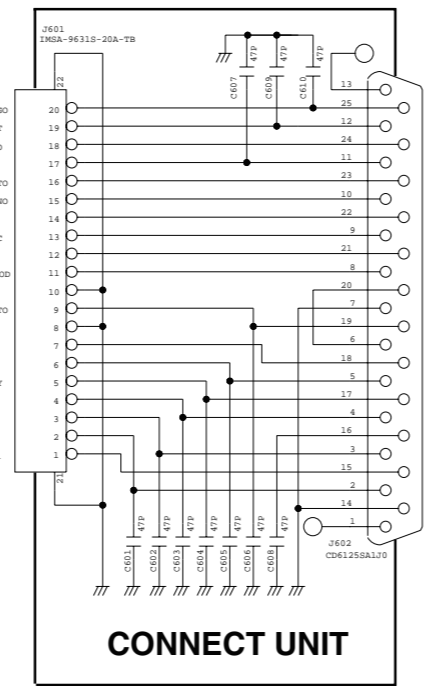
• MAIN UNIT
(For IC-F6060 series)



• MAIN UNIT
(For IC-F6060 series)



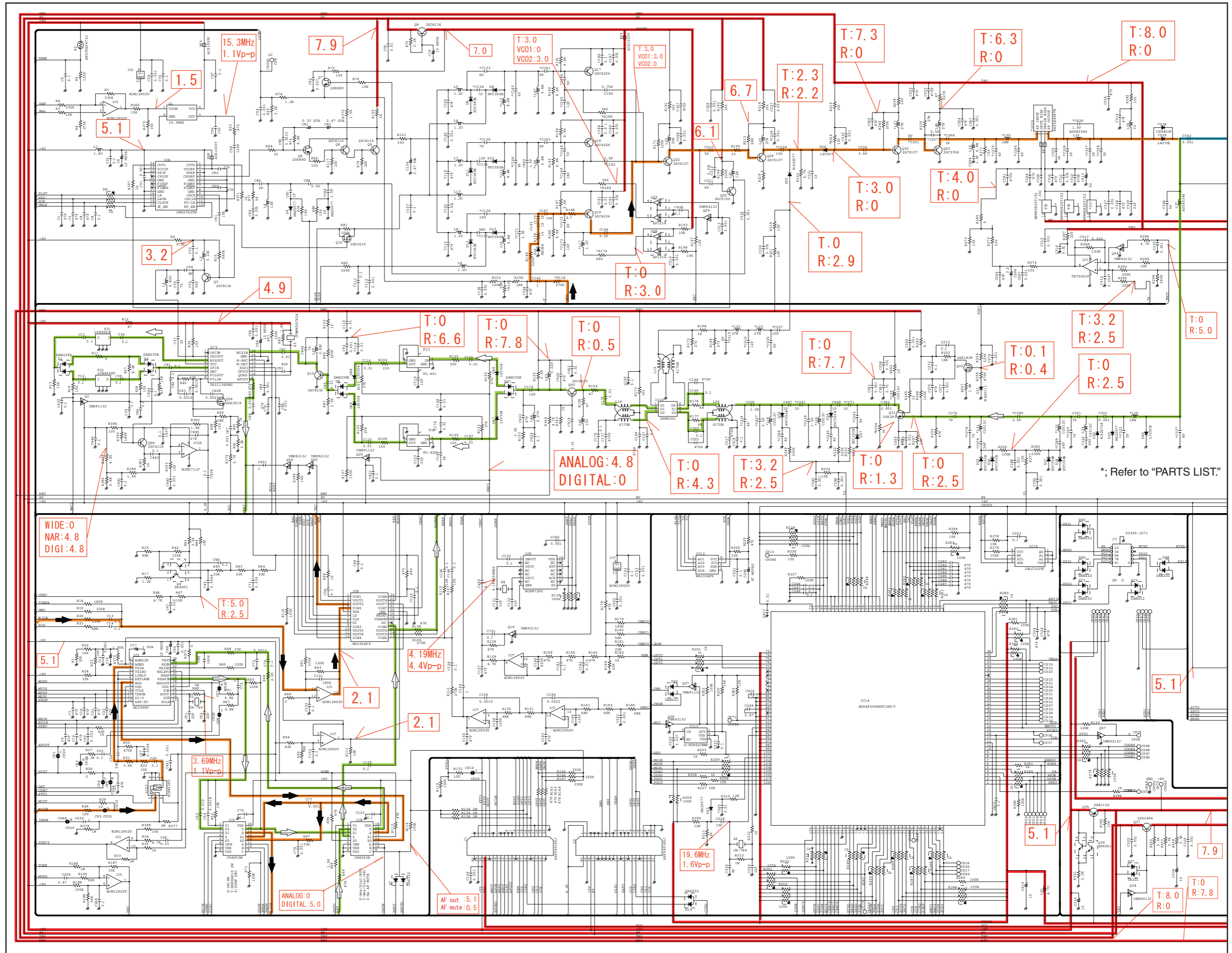
To J5 (MAIN UNIT)



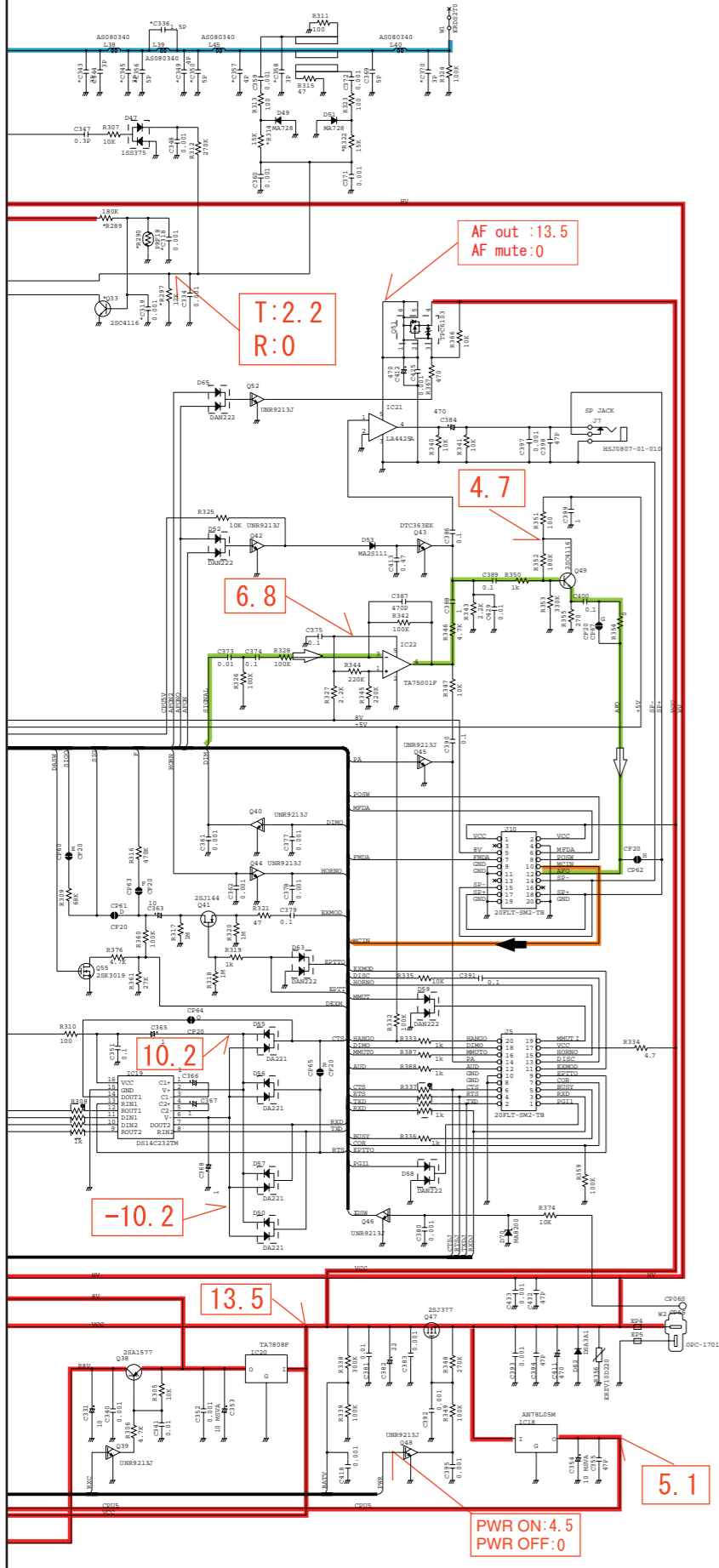
CONNECT UNIT

*; Refer to "PARTS LIST."

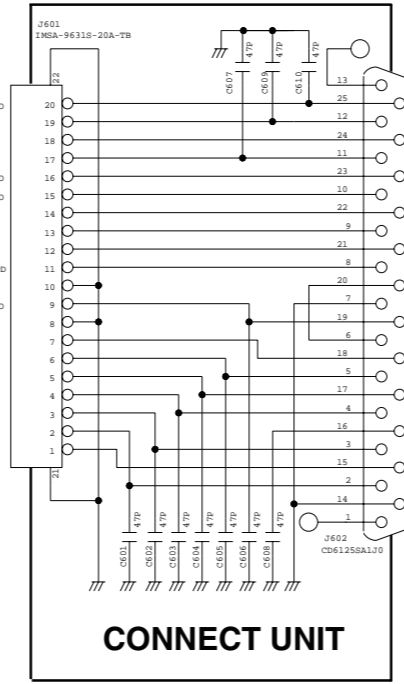
• MAIN-A UNIT
(For IC-F6061D)



• MAIN-A UNIT
(For IC-F6061D)



To J5 (MAIN UNIT)



D-SUB 25pin

*; Refer to "PARTS LIST."

• ELECTRIC PARTS

[MAIN UNIT]

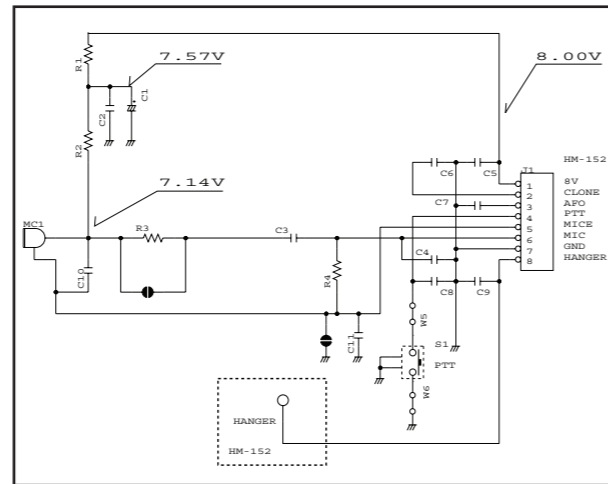
REF NO.	ORDER NO.	DESCRIPTION
R1	7030011410	S.RES ERJ3GE YJ 222
R2	7030011410	S.RES ERJ3GE YJ 222
R3	7030011420	S.RES ERJ3GE YJ 562
R4	7030011410	S.RES ERJ3GE YJ 222
C1	4510009230	S.ELE EEE1HA010SR
C2	4030018990	S.CER C1608 JB 1H 102K
C3	4030019000	S.CER C1608 JF 1H 104Z
C4	4030019010	S.CER C1608 JB 1H 103K
C5	4030018990	S.CER C1608 JB 1H 102K
C6	4030018990	S.CER C1608 JB 1H 102K
C7	4030018990	S.CER C1608 JB 1H 102K
C8	4030018990	S.CER C1608 JB 1H 102K
C9	4030018990	S.CER C1608 JB 1H 102K
C10	4030019000	S.CER C1608 JF 1H 104Z
C11	4030018990	S.CER C1608 JB 1H 102K

• MECHANICAL PARTS

[CHASSIS PARTS]

REF NO.	ORDER NO.	DESCRIPTION	QTY.
W1	8900014230	OPC-1471	1
W2	9028540010	AWG24 L=70 GRAY	1
MP2	8210022100	2854 S-FRONT PANEL	1
MP5	8210022120	2854 TOP PANEL	1
MP6	8930067080	2854 PTT BUTTON	1
MP7	8610012570	2854 SW BUTTON	1
MP8	8210022110	2854 SIDE PANEL	1
MP9	8930067120	2854 PTT RUBBER	1
MP10	8930067140	2854 MIC SEAL	1
MP11	8930067180	2854 16-KEY	1
MP12	8610012580	2854 HANGER KNOB	1
MP14	8930067100	2854 WEIGHT	2
MP15	8930067150	2854 PTT SPRING	1
MP17	8310066000	2854 NAME PLATE (G)	1
MP18	8810010520	Screw B0 3X16SUS	3
MP19	8810010530	Screw BiH M4X14 SUS	1
MP20	8810010240	Screw BT B0 2X6NI	3
MP23	8850002000	SPRING WASHER M4 SUS	1
MP24	8860001380	earth lug B3 (M4) BS AG	1

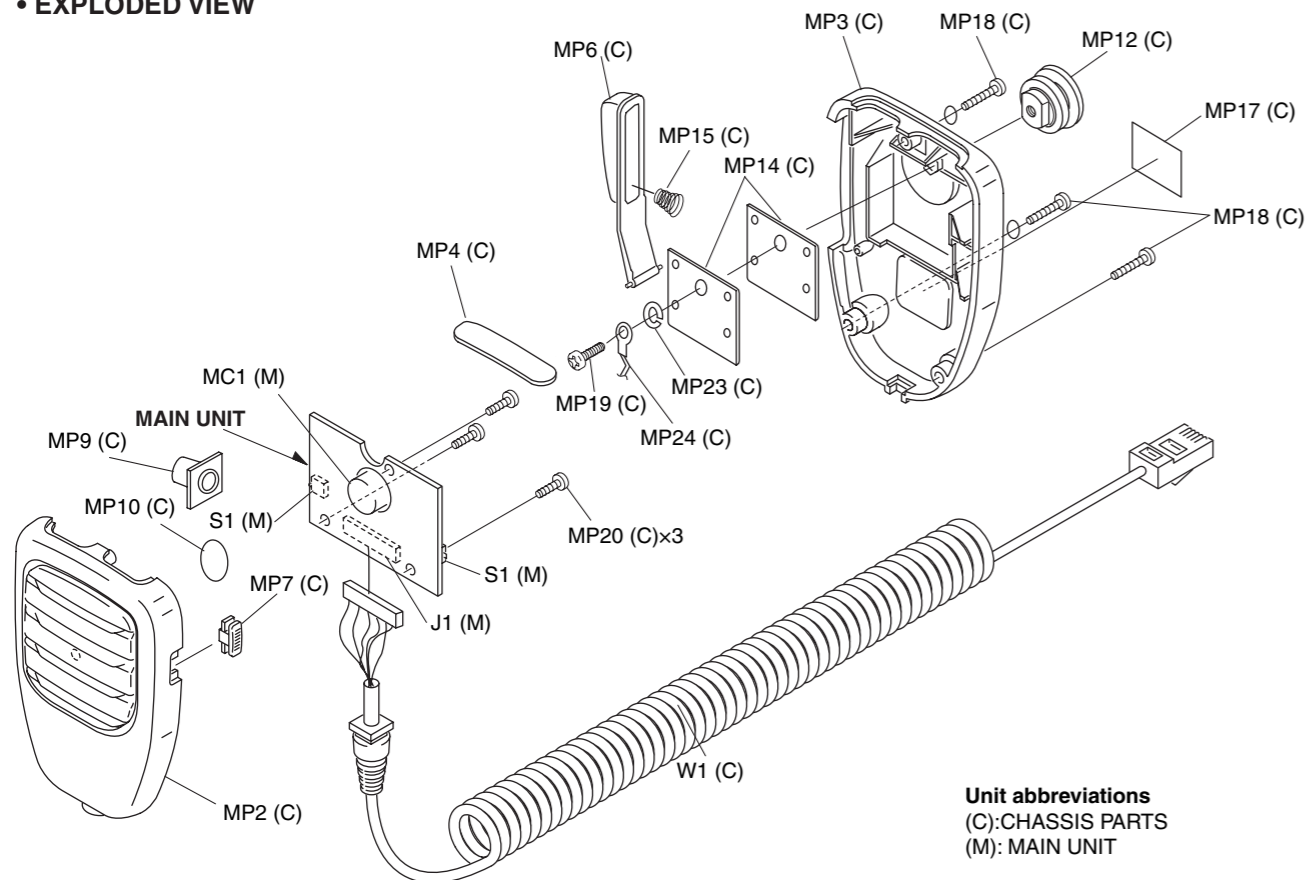
• VOLTAGE DIAGRAM



[MAIN UNIT]

REF NO.	ORDER NO.	DESCRIPTION	QTY.
J1	6510025100	CON IL-S-8P-S2L2-EF	1
MC1	7700002720	MIC F9745AP382-101	1
S1	2260002890	SW SKQJLBA010	1

• EXPLODED VIEW



Icom Inc.

1-1-32, Kamiminami, Hirano-ku, Osaka 547-0003, Japan
Phone : +81 (06) 6793 5302
Fax : +81 (06) 6793 0013
URL : <http://www.icom.co.jp/world/index.html>

Icom America Inc.

<Corporate Headquarters>
2380 116th Avenue N.E., Bellevue, WA 98004, U.S.A.
Phone : +1 (425) 454-8155 Fax : +1 (425) 454-1509
URL : <http://www.icomamerica.com>
E-mail : sales@icomamerica.com
<Customer Service>
Phone : +1 (425) 454-7619

Icom Canada

Glenwood Centre #150-6165
Highway 17 Delta, B.C., V4K 5B8, Canada
Phone : +1 (604) 952-4266 Fax : +1 (604) 952-0090
URL : <http://www.icomcanada.com>
E-mail : info@icomcanada.com

Icom (Australia) Pty. Ltd.

Unit 1 / 103 Garden Road, Clayton VIC 3168 Australia
Phone : +61 (03) 9549-7500 Fax : +61 (03) 9549-7505
URL : <http://www.icom.net.au>
E-mail : sales@icom.net.au

Icom New Zealand

146A Harris Road, East Tamaki,
Auckland, New Zealand
Phone : +64 (09) 274 4062 Fax : +64 (09) 274 4708
URL : <http://www.icom.co.nz>
E-mail : inquiries@icom.co.nz

Beijing Icom Ltd.

10C07, Long silver Mansion, No.88, Yong Ding
Road, Haidian District, Beijing, 100039, China
Phone : +86 (010) 5889 5391/5392/5393
Fax : +86 (010) 5889 5395
E-mail : bjicom@bjicom.com
URL : <http://www.bjicom.com>

Icom (Europe) GmbH

Communication Equipment
Auf der Krautweide 24
65812 Bad Soden am Taunus, Germany
Phone : +49 (6196) 76685-0 Fax : +49 (6196) 76685-50
URL : <http://www.icomeurope.com>
E-mail : info@icomeurope.com

Icom Spain S.L

Ctra. Rubi, No. 88 Bajos A 08174, Sant Cugat del Valles, Barcelona, Spain
Phone : +34 (93) 590 26 70 Fax : +34 (93) 589 04 46
URL : <http://www.icomspain.com>
E-mail : icom@icomspain.com

Icom (UK) Ltd.

Blacksole House, The Boulevard, Altira Business Park, Herne Bay, CT6 6GZ, UK
Phone : +44 (01227) 741741 Fax : +44 (01227) 741742
URL : <http://www.icomuk.co.uk>
E-mail : info@icomuk.co.uk

Icom France s.a.s.

Zac de la Plaine
1 Rue Brindejone des Moulinais BP 5804
31505 Toulouse Cedex, France
Phone : +33 (5) 61 36 03 03 Fax : +33 (5) 61 36 03 00
URL : <http://www.icom-france.com>
E-mail : icom@icom-france.com

Asia Icom Inc.

6F No.68, Sec. 1 Cheng-Teh Road, Taipei, Taiwan, R.O.C.
Phone : +886 (02) 2559 1899 Fax : +886 (02) 2559 1874
URL : <http://www.asia-icom.com>
E-mail : sales@asia-icom.com

Icom Polska

81-850 Sopot, ul. 3 Maja 54, Poland
Phone : +48 (58) 550 7135 Fax : +48 (58) 551 0484
E-mail : icompolska@icompolska.com.pl

Count on us!

Icom Inc.

1-1-32, Kamiminami, Hirano-ku, Osaka 547-0003, Japan

S-14324XZ-C1-②
© 2007–2008 Icom Inc.